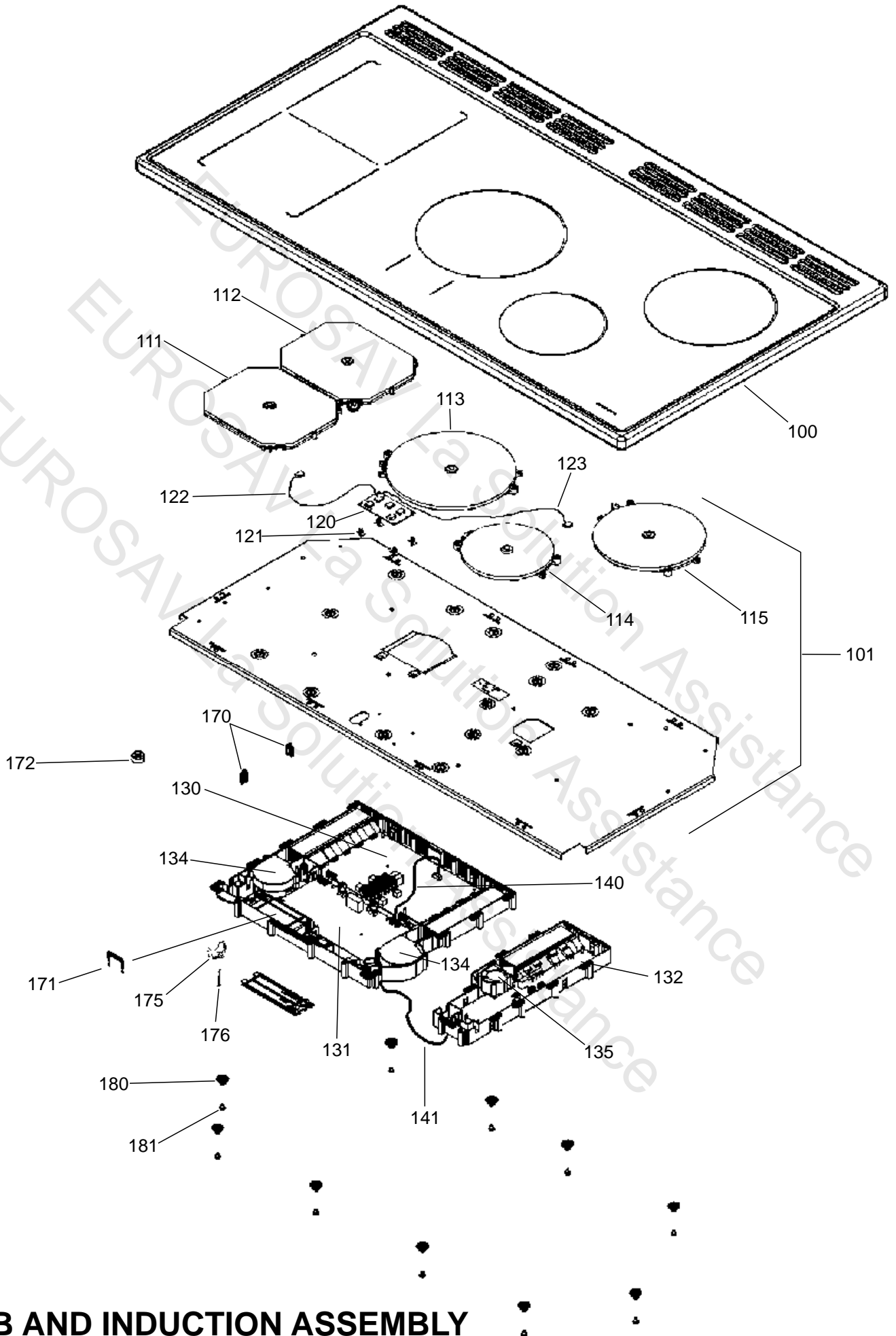
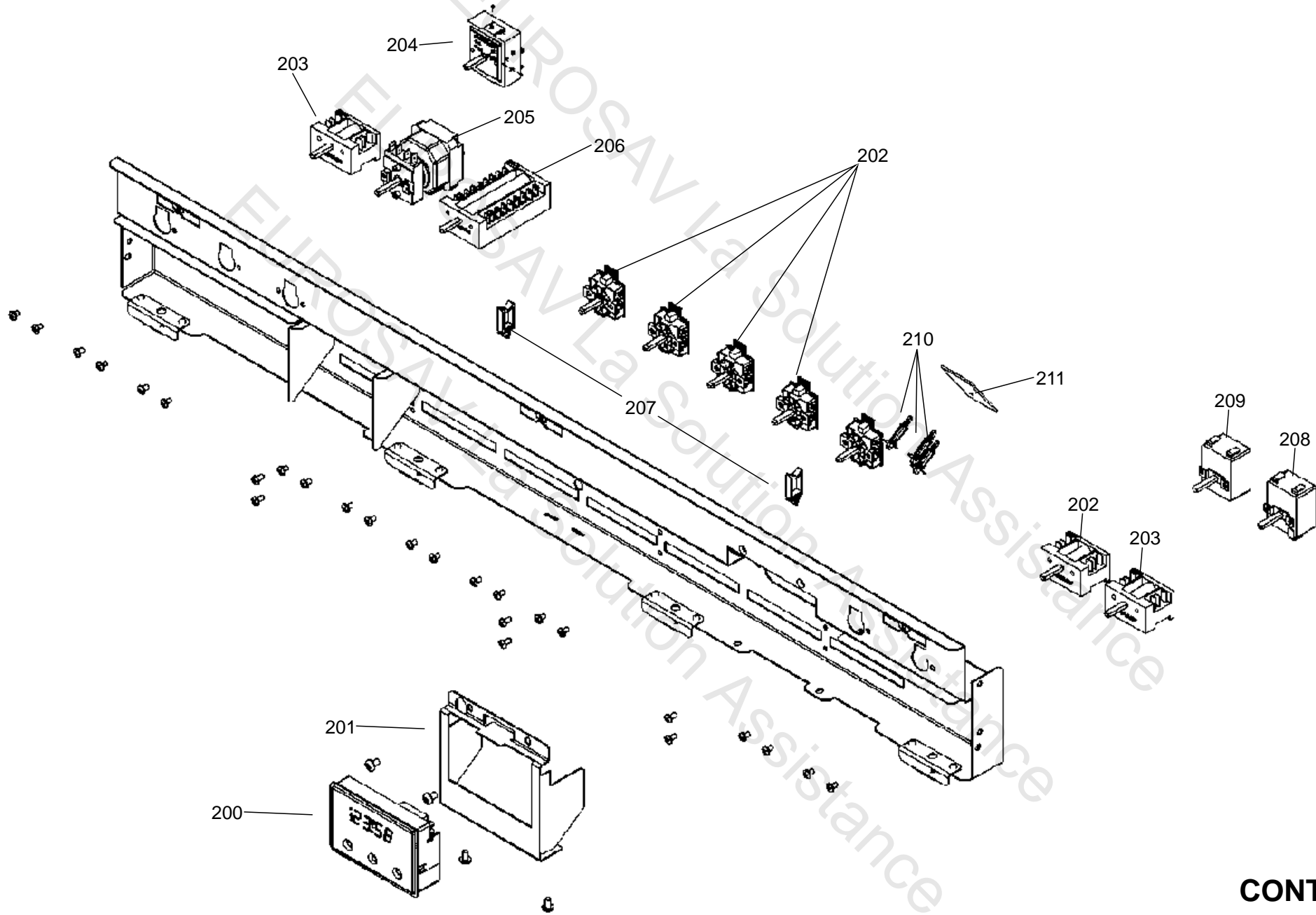


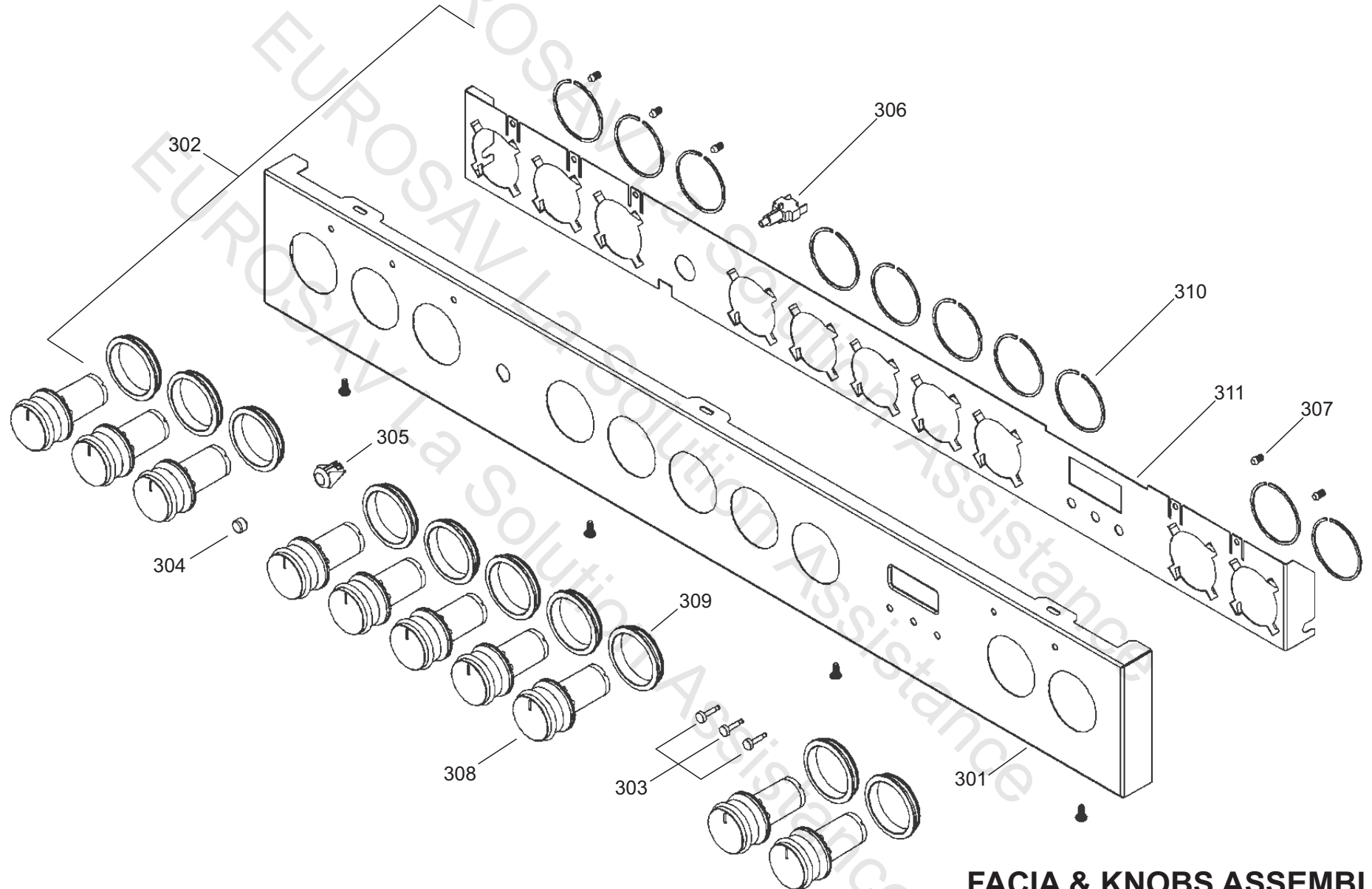


**OVERALL APPLIANCE**

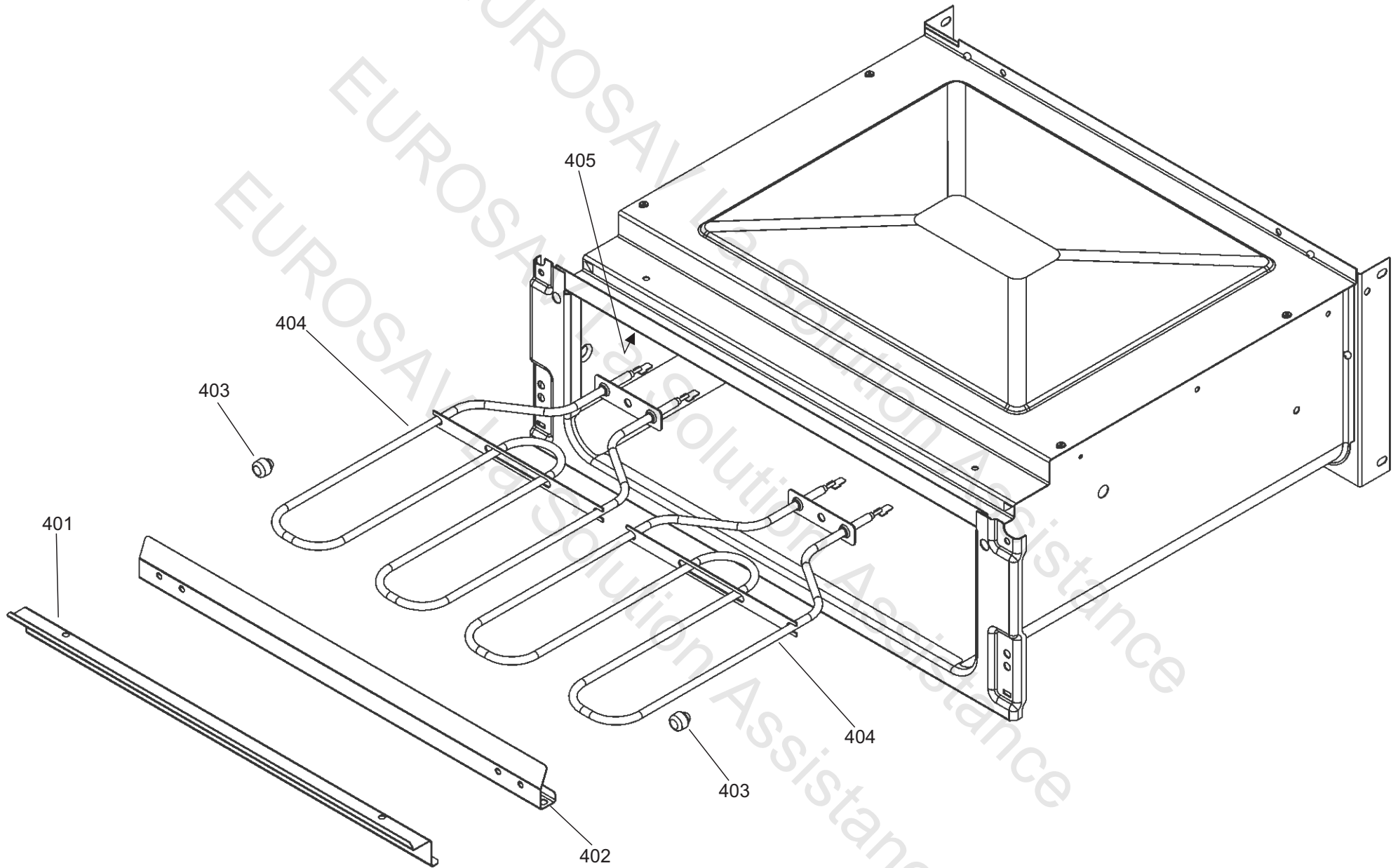


**HOB AND INDUCTION ASSEMBLY**





FACIA & KNOBS ASSEMBLY



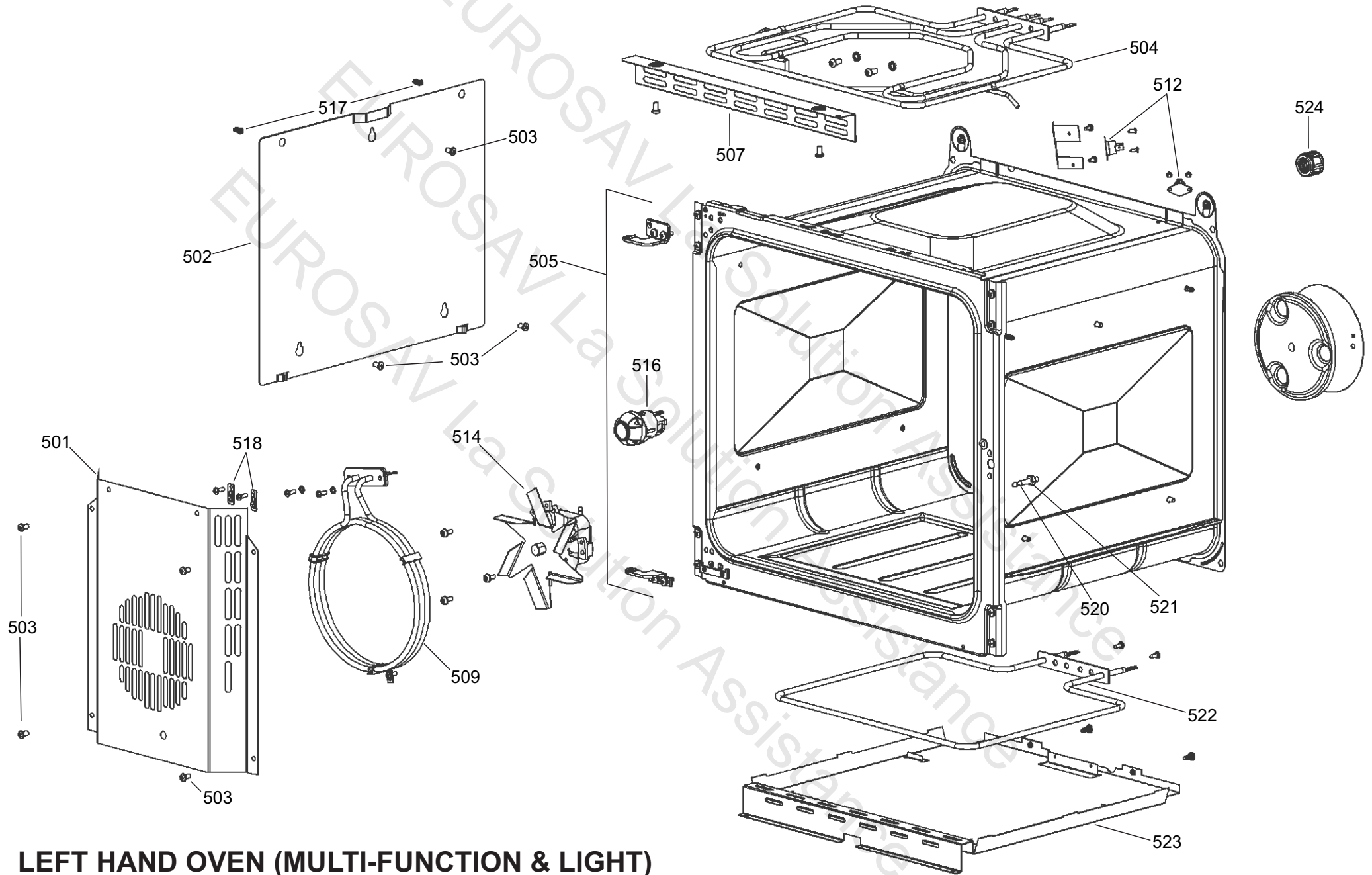
GRILL CHAMBER

**FALCON / RANGEMASTER  
NEXUS 110 SE INDUCTION**

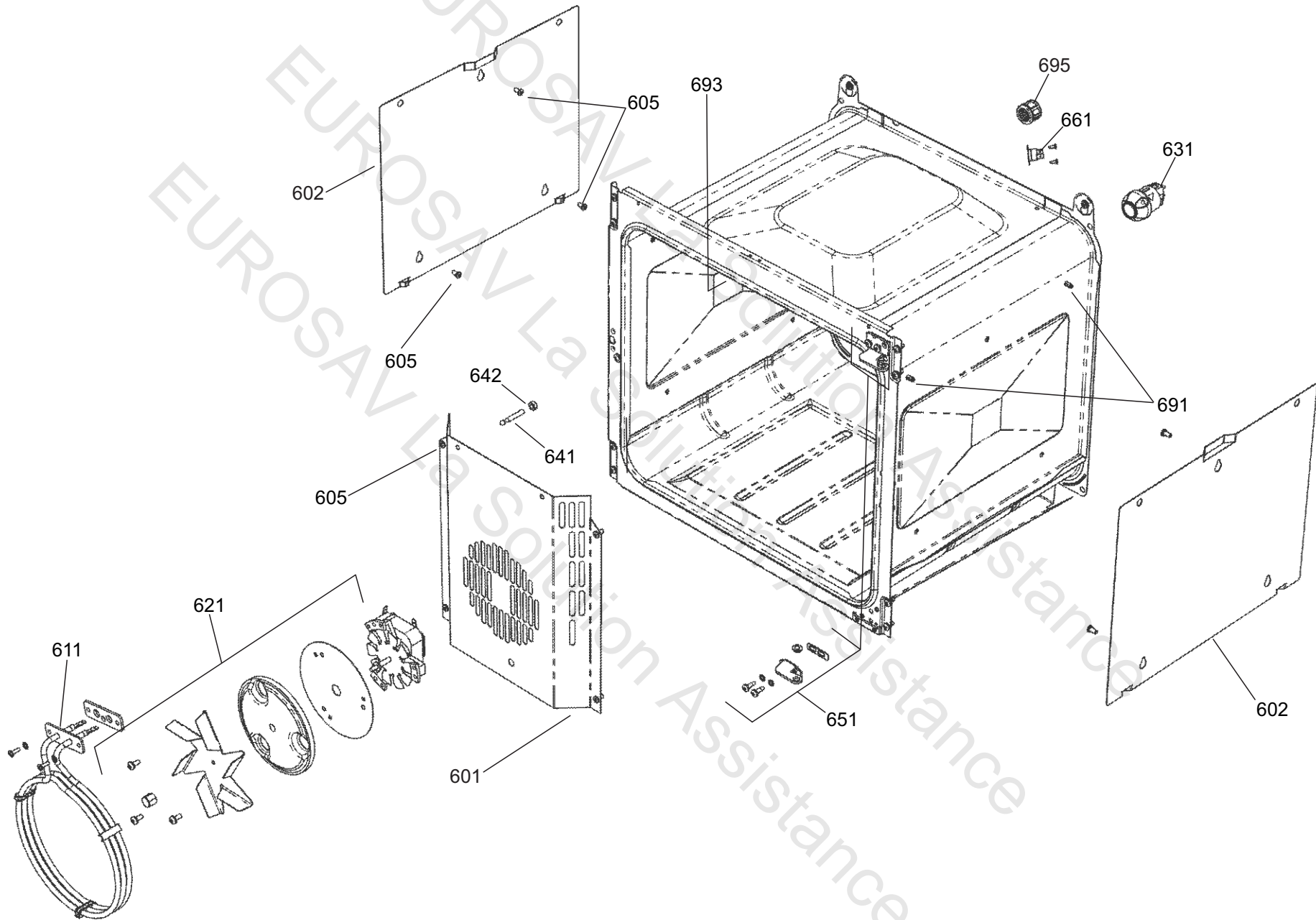
DATE: 21.11.2018

**DSL0745 P05**

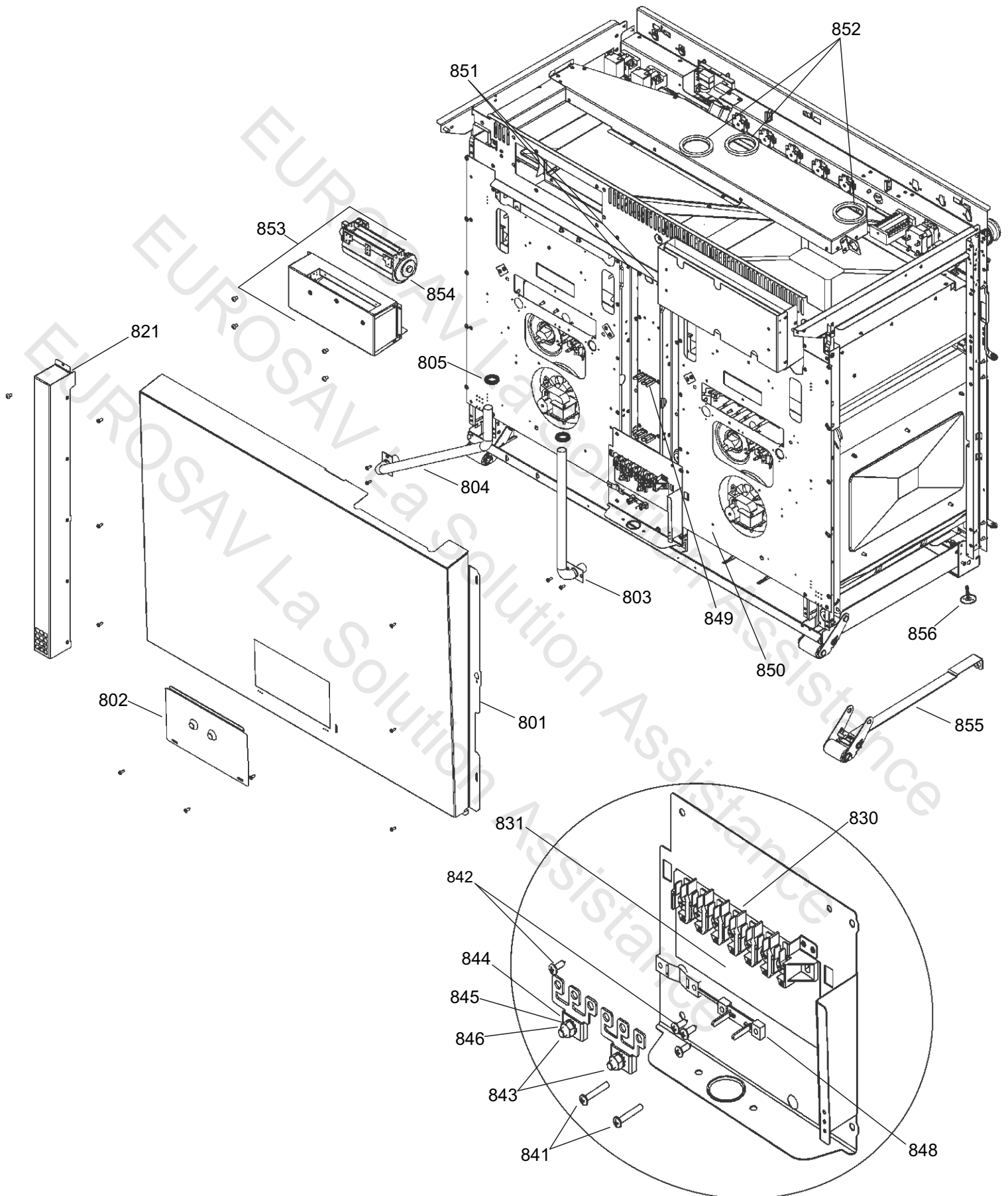
ISSUE:01



**LEFT HAND OVEN (MULTI-FUNCTION & LIGHT)**

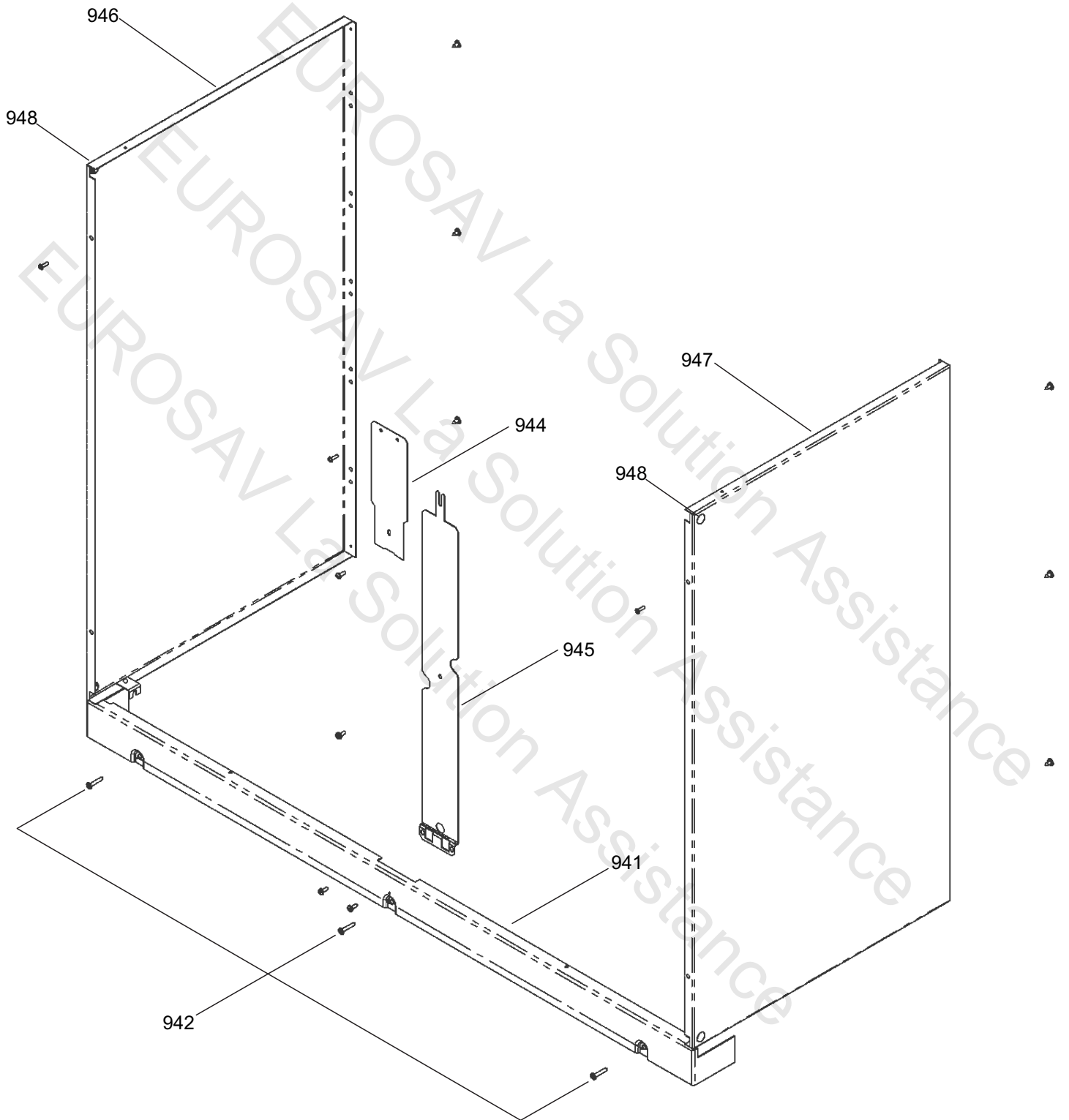


**RIGHT HAND OVEN (FANNED & LIGHT)**

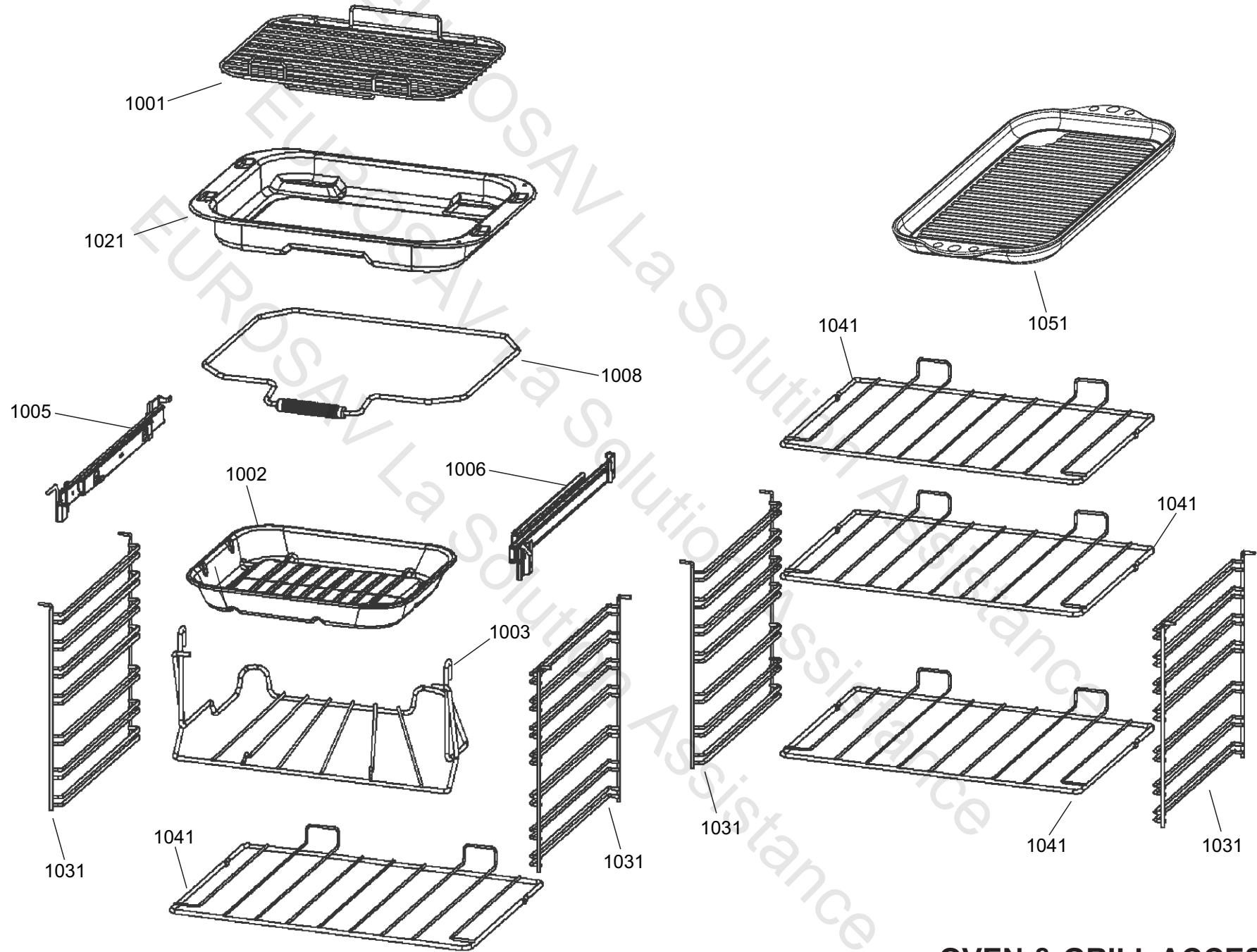


**COOKER BACK & ELECTRICAL**





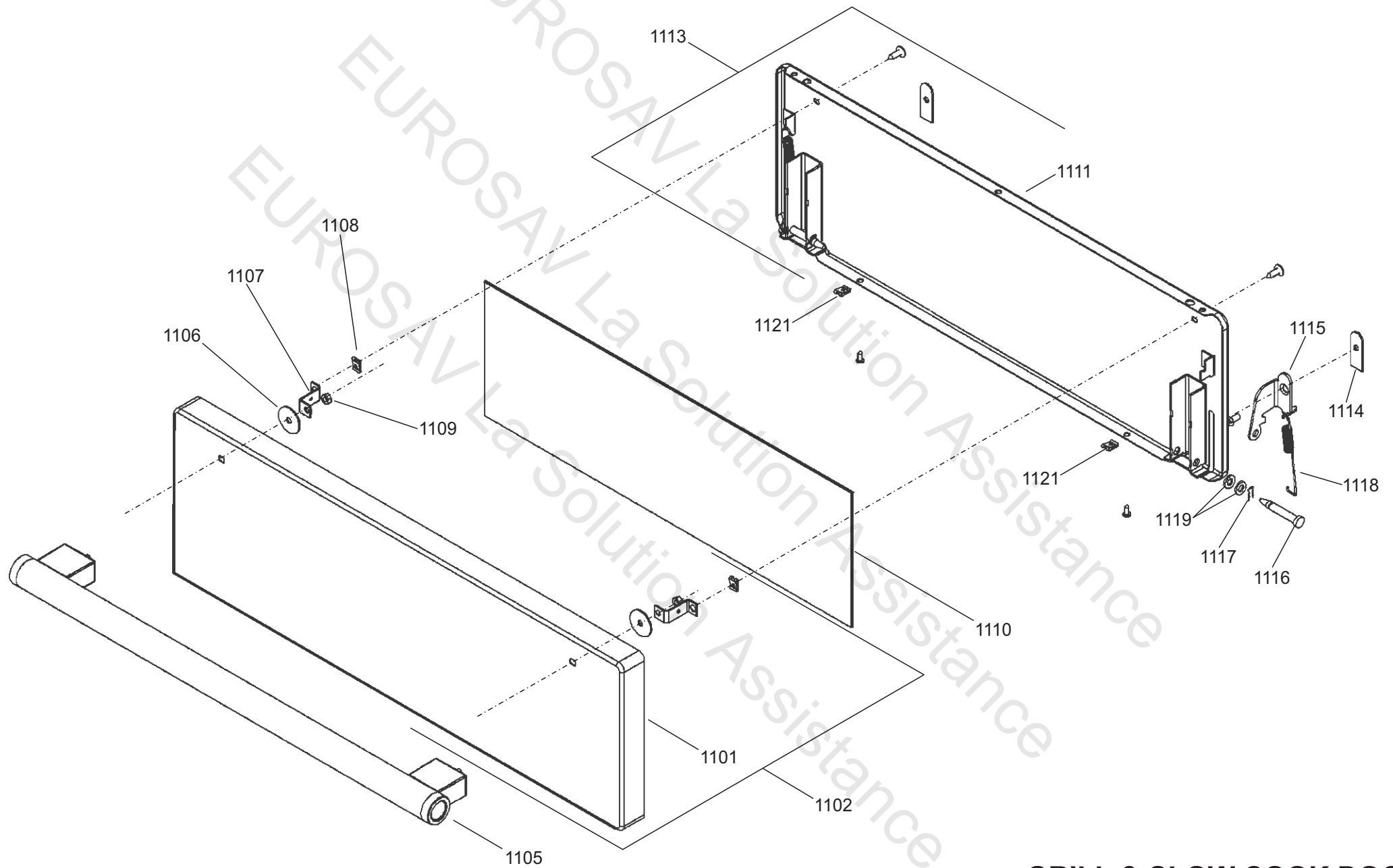
**CHASSIS ACCESSORIES**



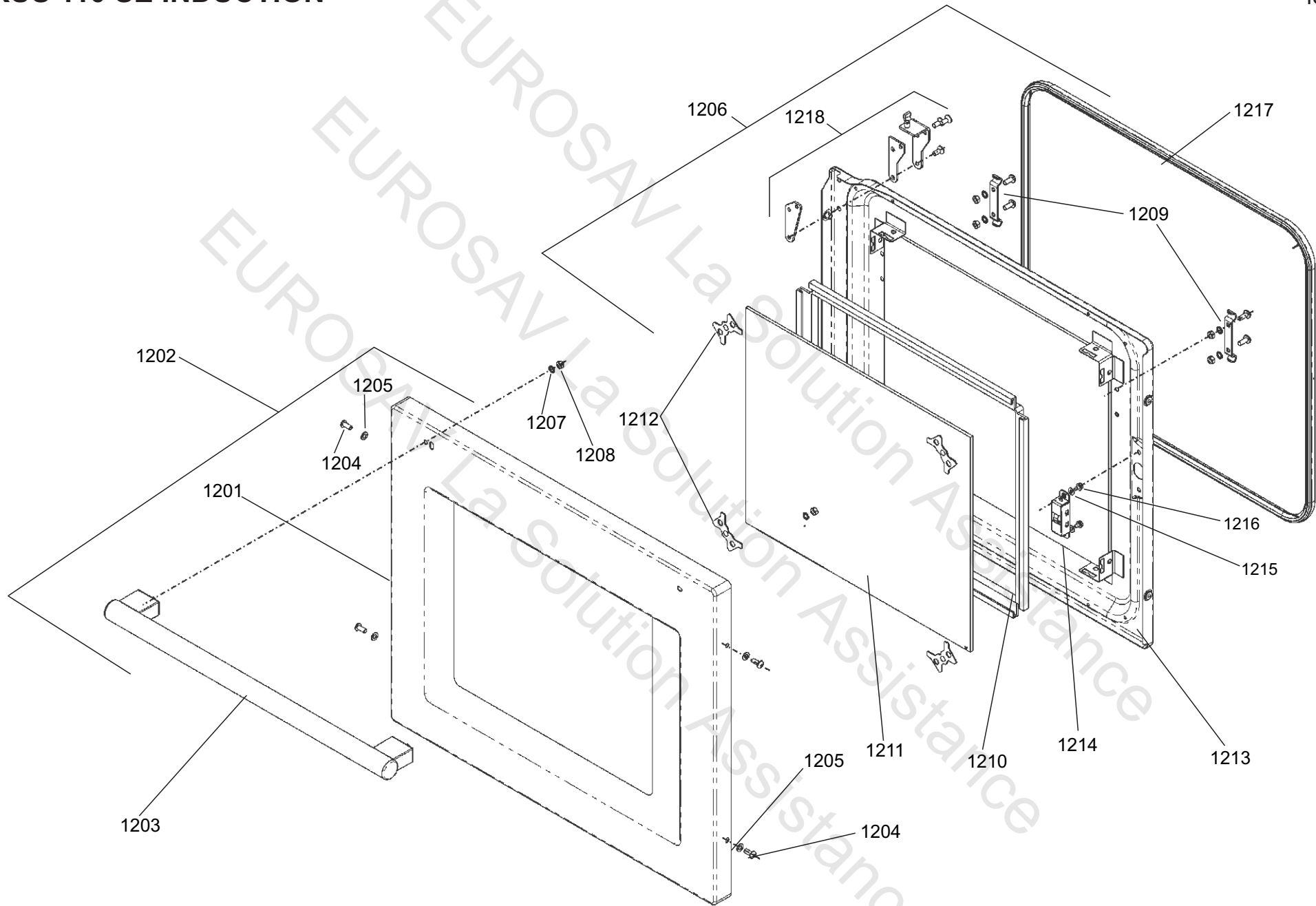
**FALCON / RANGEMASTER  
NEXUS 110 SE INDUCTION**

DATE: 21.11.2018

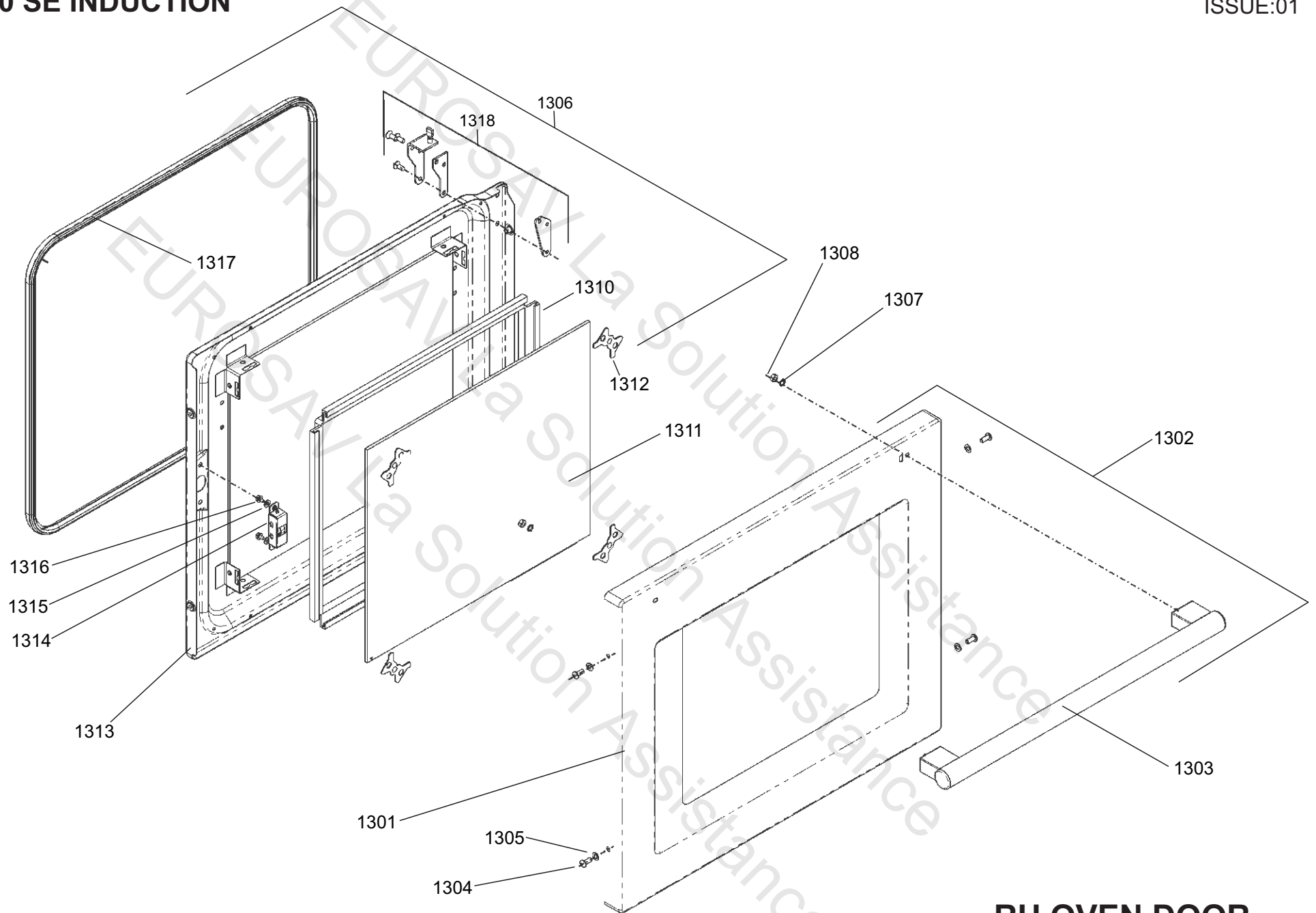
**DSL0745 P11**  
ISSUE STATUS 01



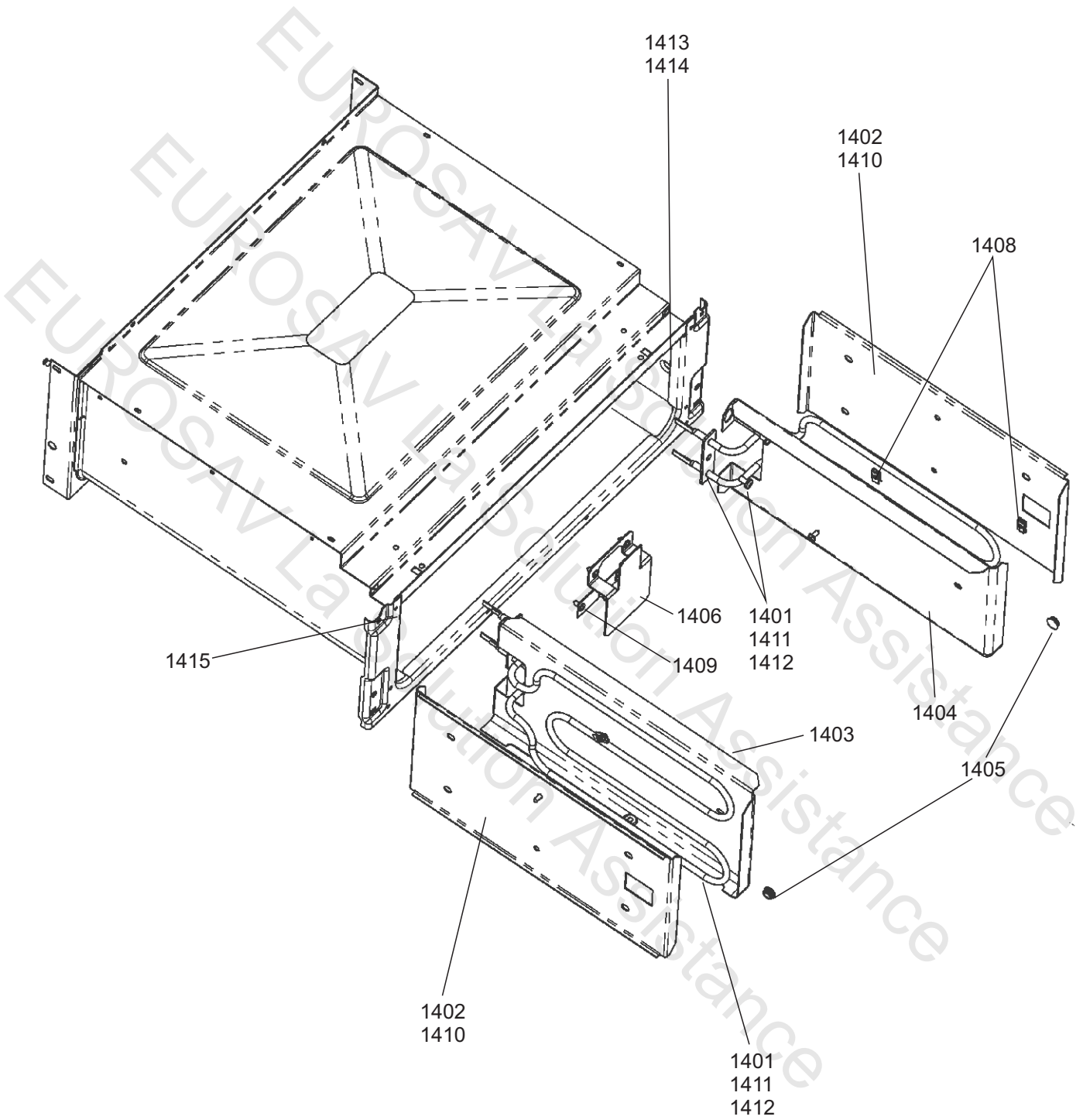
**GRILL & SLOW COOK DOOR**

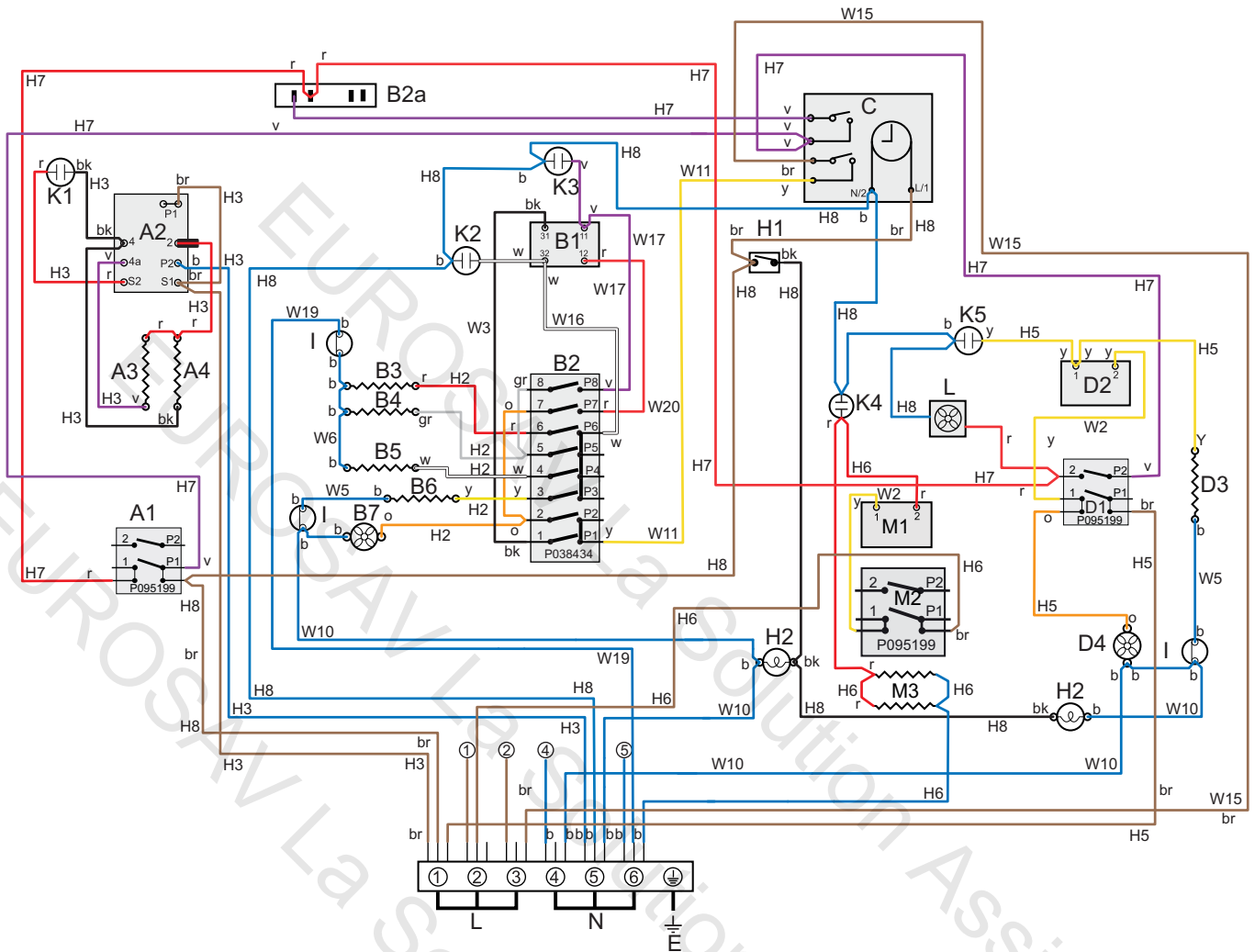


LH OVEN DOOR



**RH OVEN DOOR**



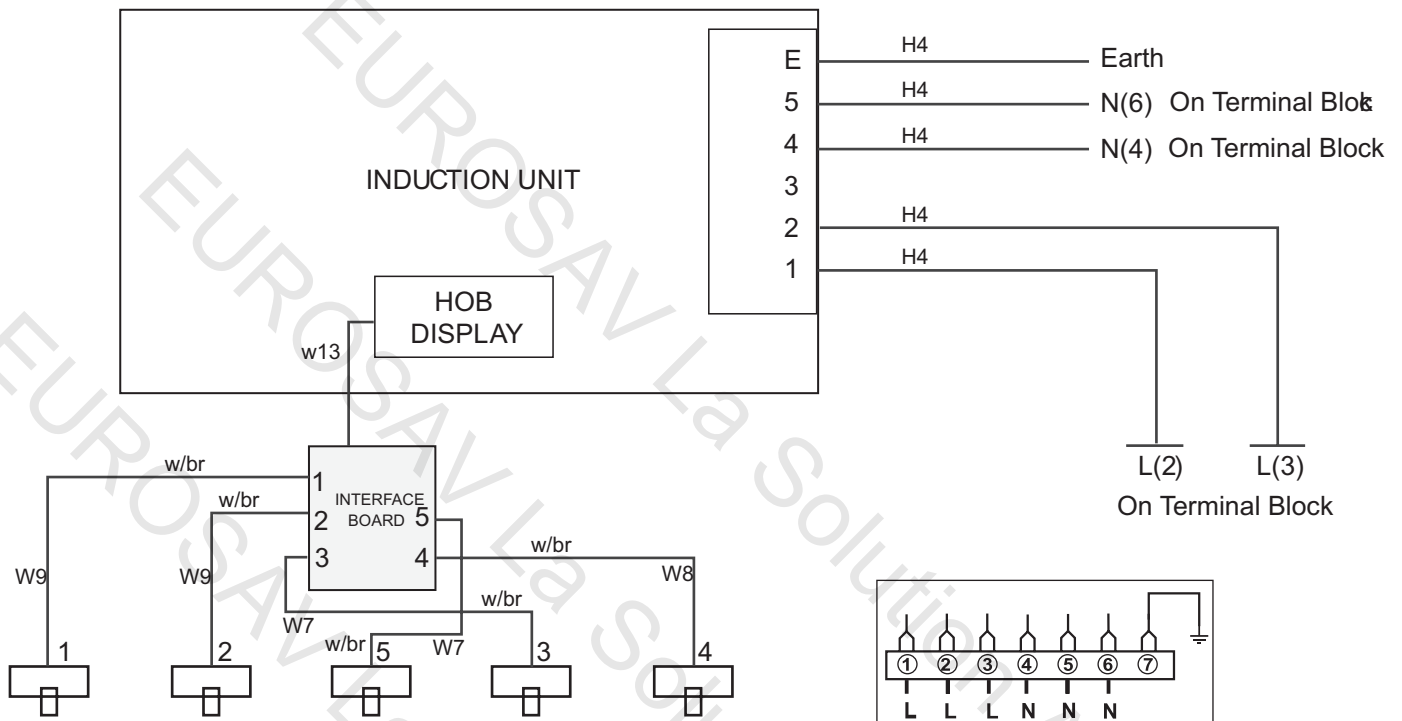


Nexus SE 110 Induction

Code	Description	Code	Description
A1	Grill Front Switch	H1	Oven Light Switch
A2	Grill Energy Regulator	H2	Oven Light
A3	Grill Element Left Hand Side	I	Thermal Cut-outs
A4	Grill Element Right Hand Side	K1	Grill Neon
B1	Left Hand Oven Thermostat	K2	Left Hand Oven Neon
B2	Left Hand Oven Multifunction Switch	K3	Rapid Heat Neon
B2a	Left Hand Oven Front Switch	K4	Slow Cook Oven Neon
B3	Left Hand Oven Base Element	K5	Right Hand Oven Neon
B4	Left Hand Oven Top Element (Outer Pair)	L	Cooling Fan
B5	Left Hand Oven Browning Element (Inner Pair)	M1	Slow Cook Oven Thermostat
B6	Left Hand Oven Fan Element	M2	Slow Cook Oven Front Switch
B7	Left Hand Oven Fan	M3	Slow Cook Oven Elements
C	Clock/Timer		
D1	Right Hand Oven Front Switch		
D2	Right Hand Oven Thermostat		
D3	Right Hand Oven Element		
D4	Right Hand Oven Fan		

Code	Colour
b	Blue
br	Brown
bk	Black
or	Orange
r	Red
v	Violet
w	White
y	Yellow
g/y	Green/yellow
gr	Grey

**Hob**



The connections shown in the circuit diagram are for single - phase. The ratings are for 230V 50Hz.

**KEY**

Code	Description
1	Left-hand front element
2	Left-hand rear element
3	Right-hand rear element
4	Right-hand front element
5	Centre element

Code	Colour
w/br	White/brown

**WIRING DIAGRAM**