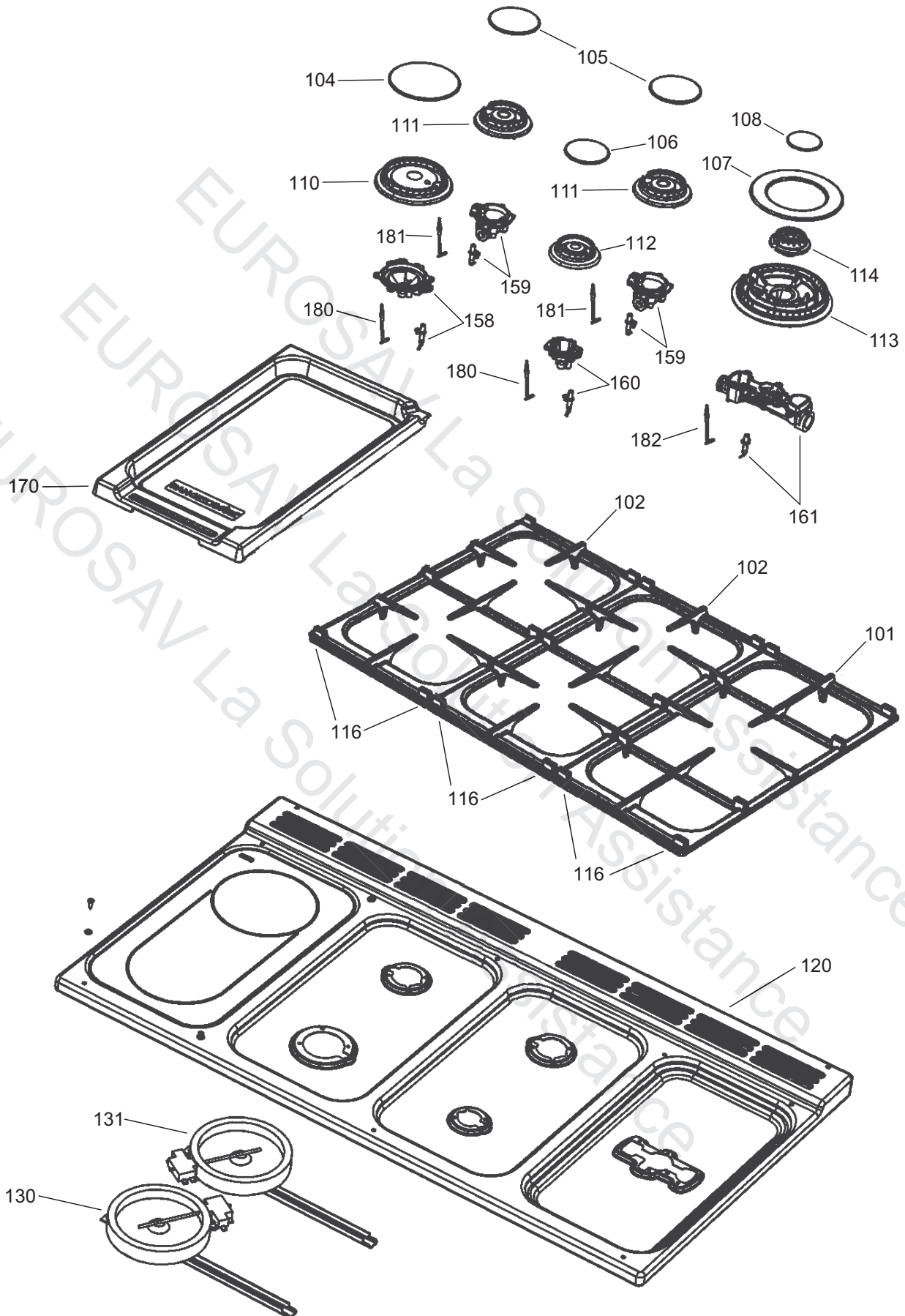
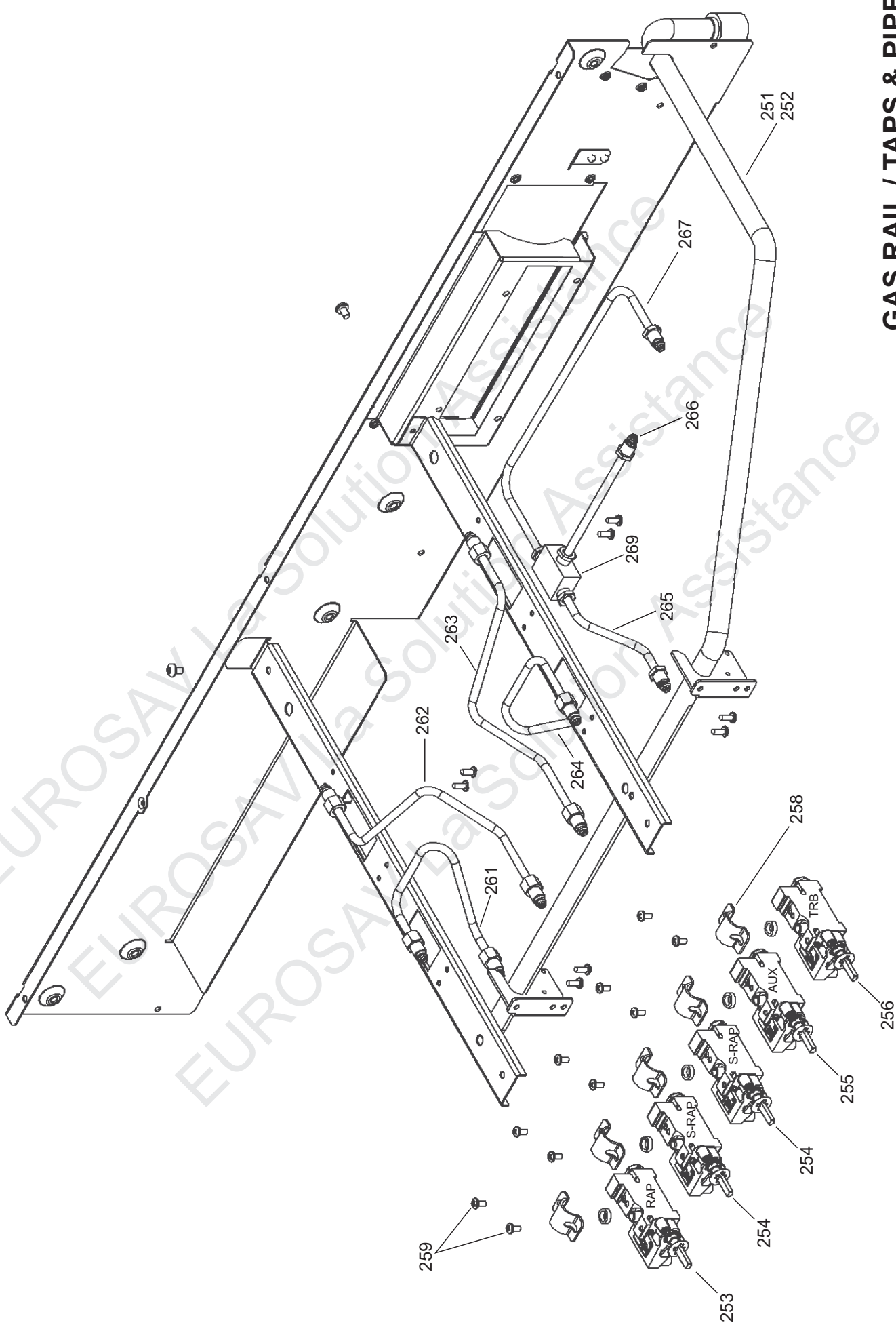


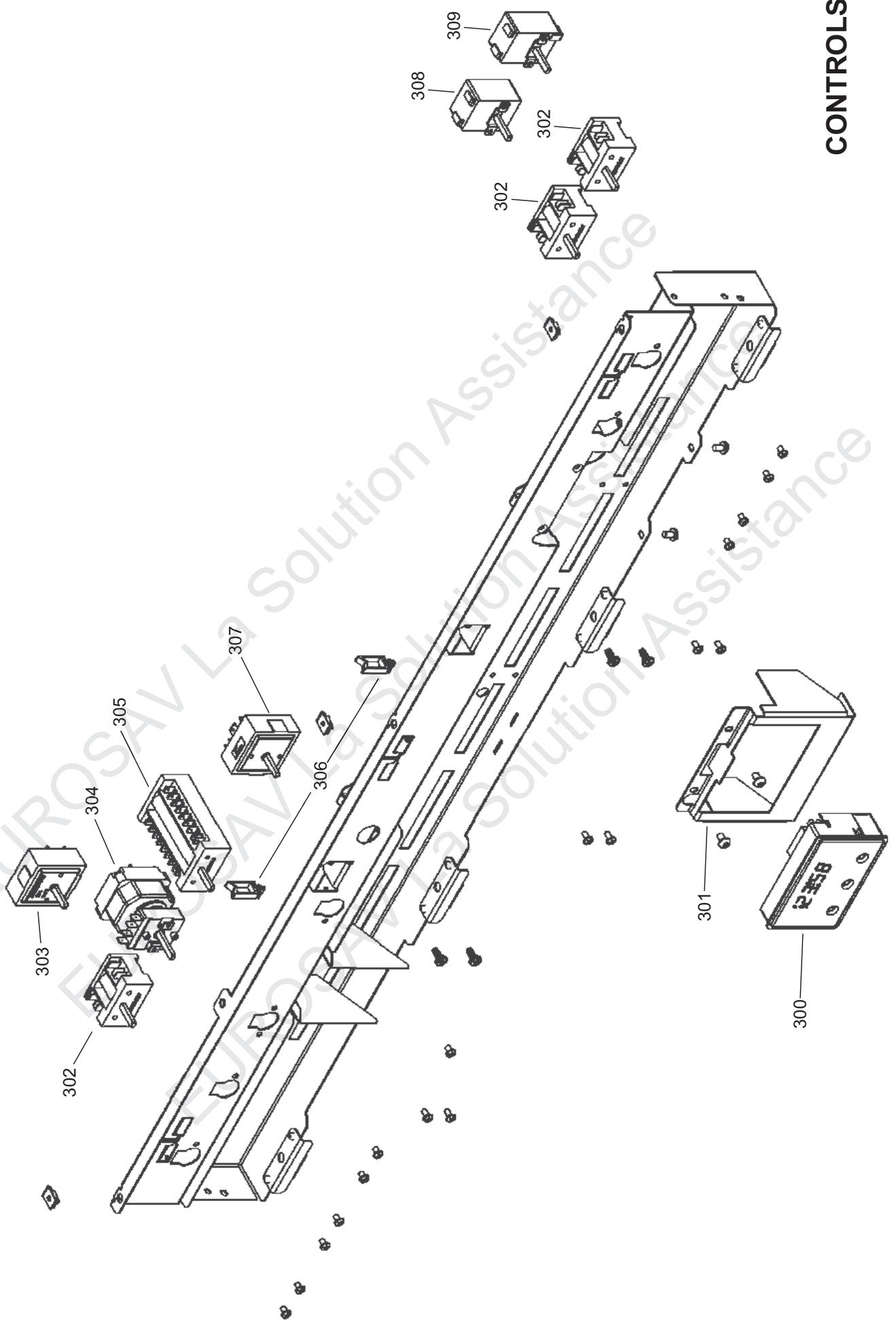


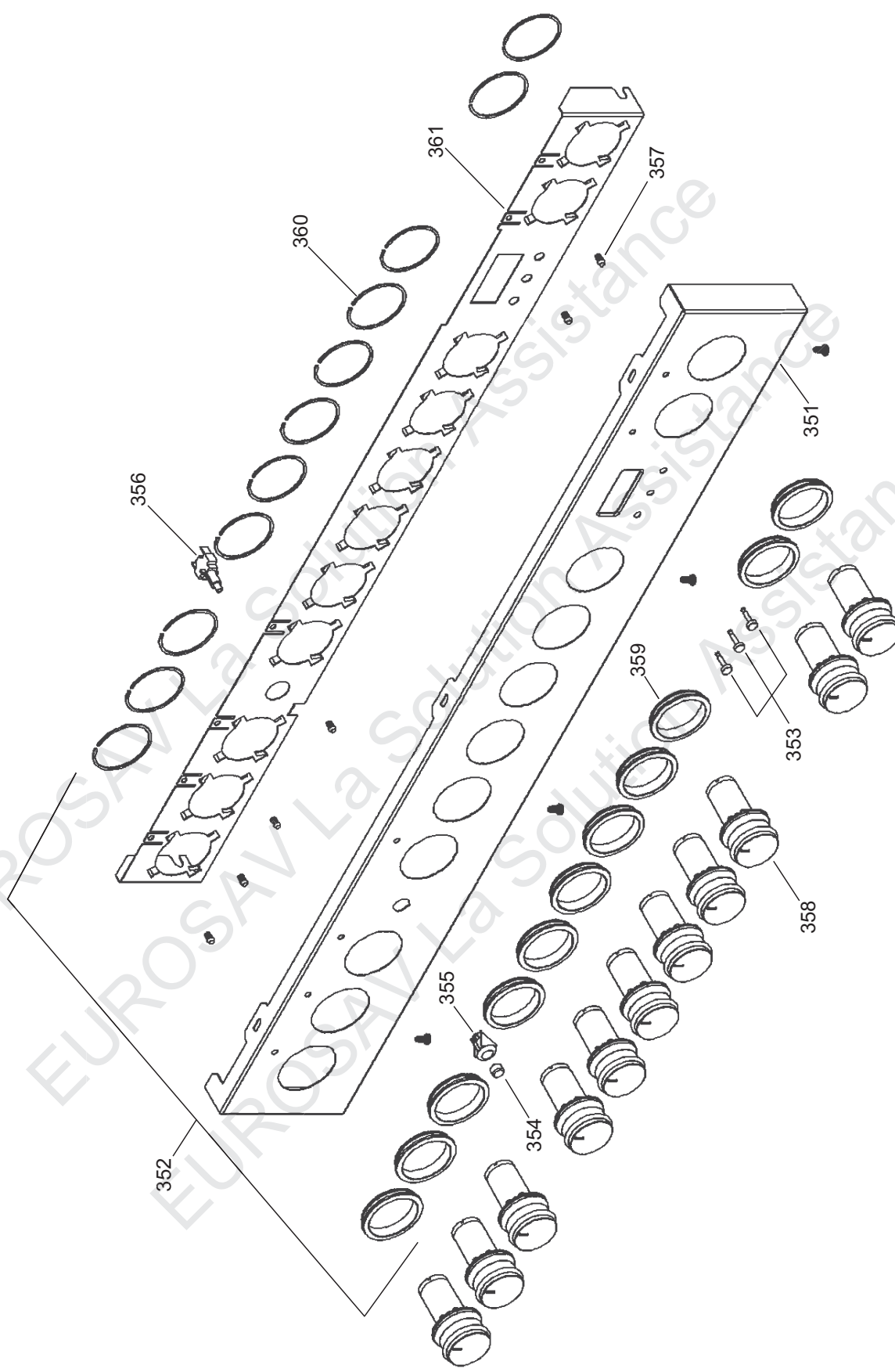
OVERALL APPLIANCE

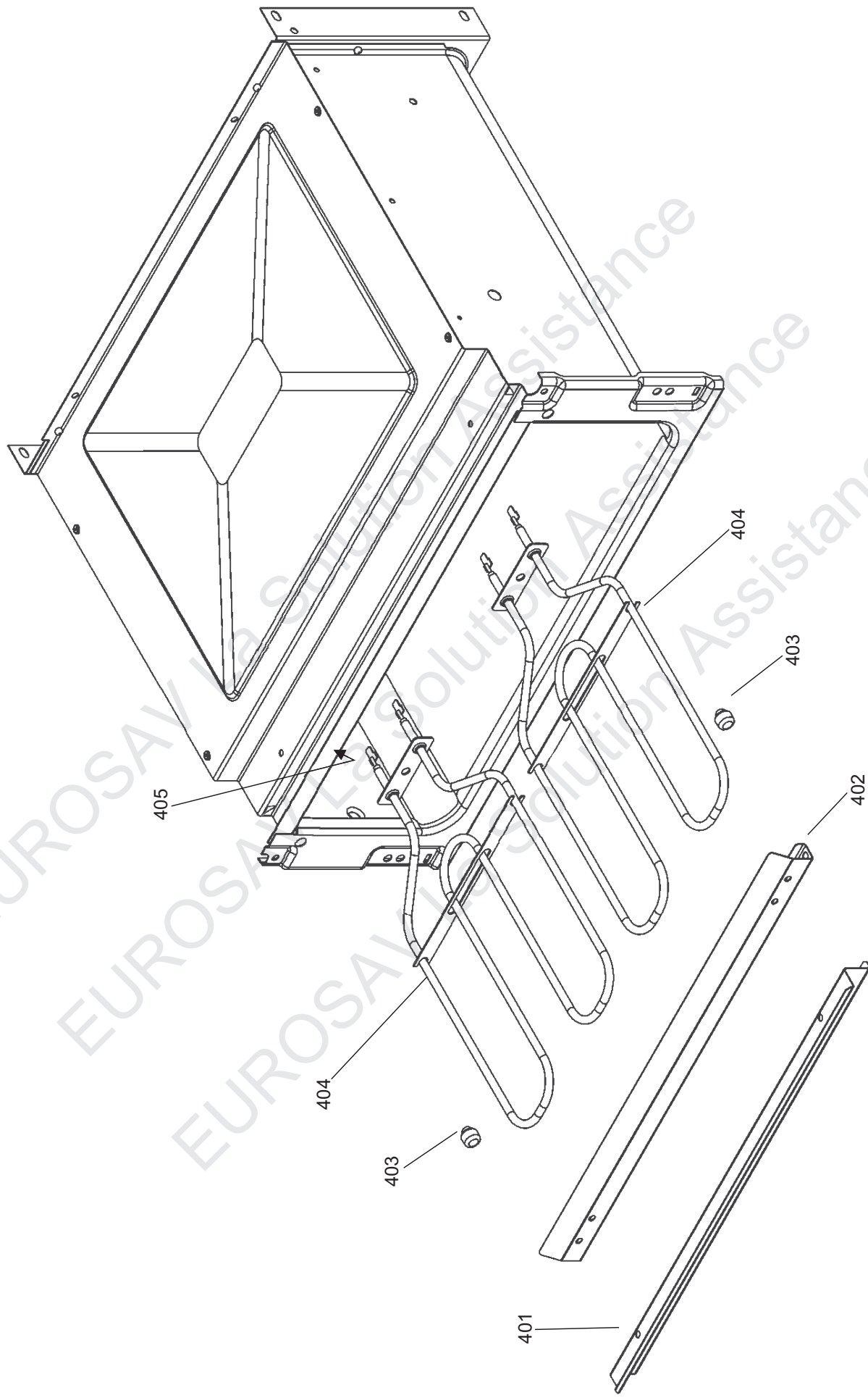


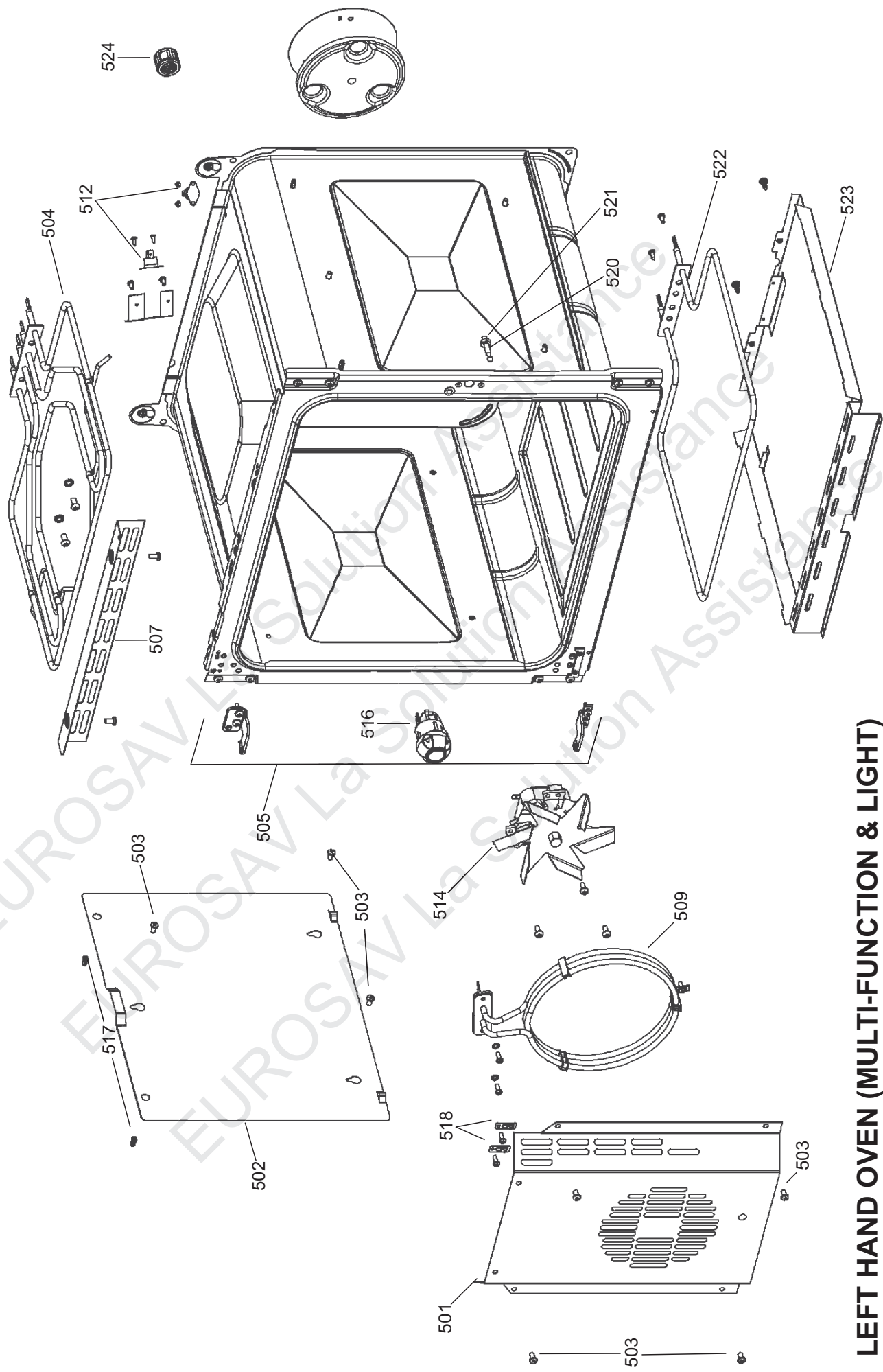
PAN SUPPORTS, BURNER AND HOTPLATE ASSEMBLY



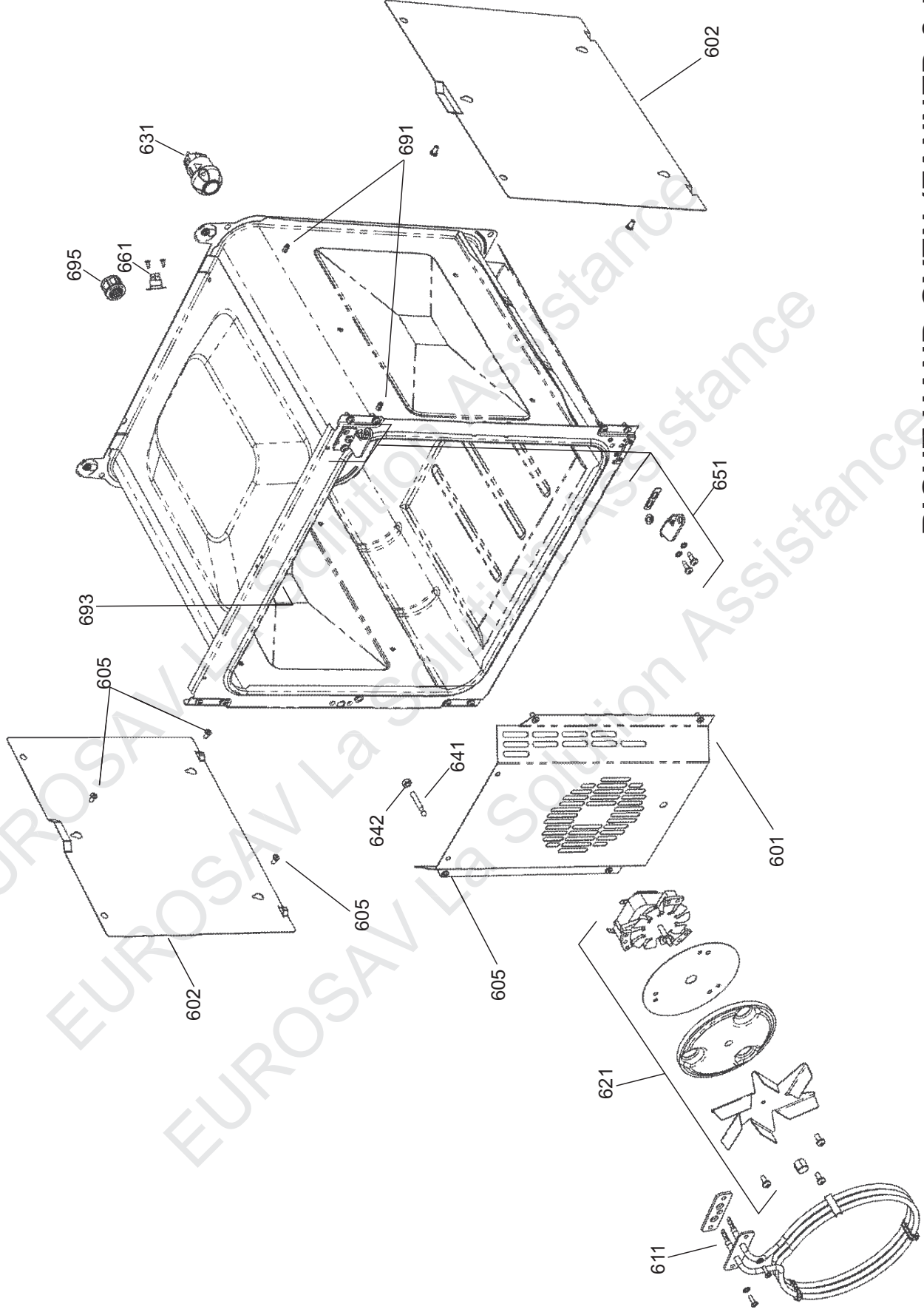


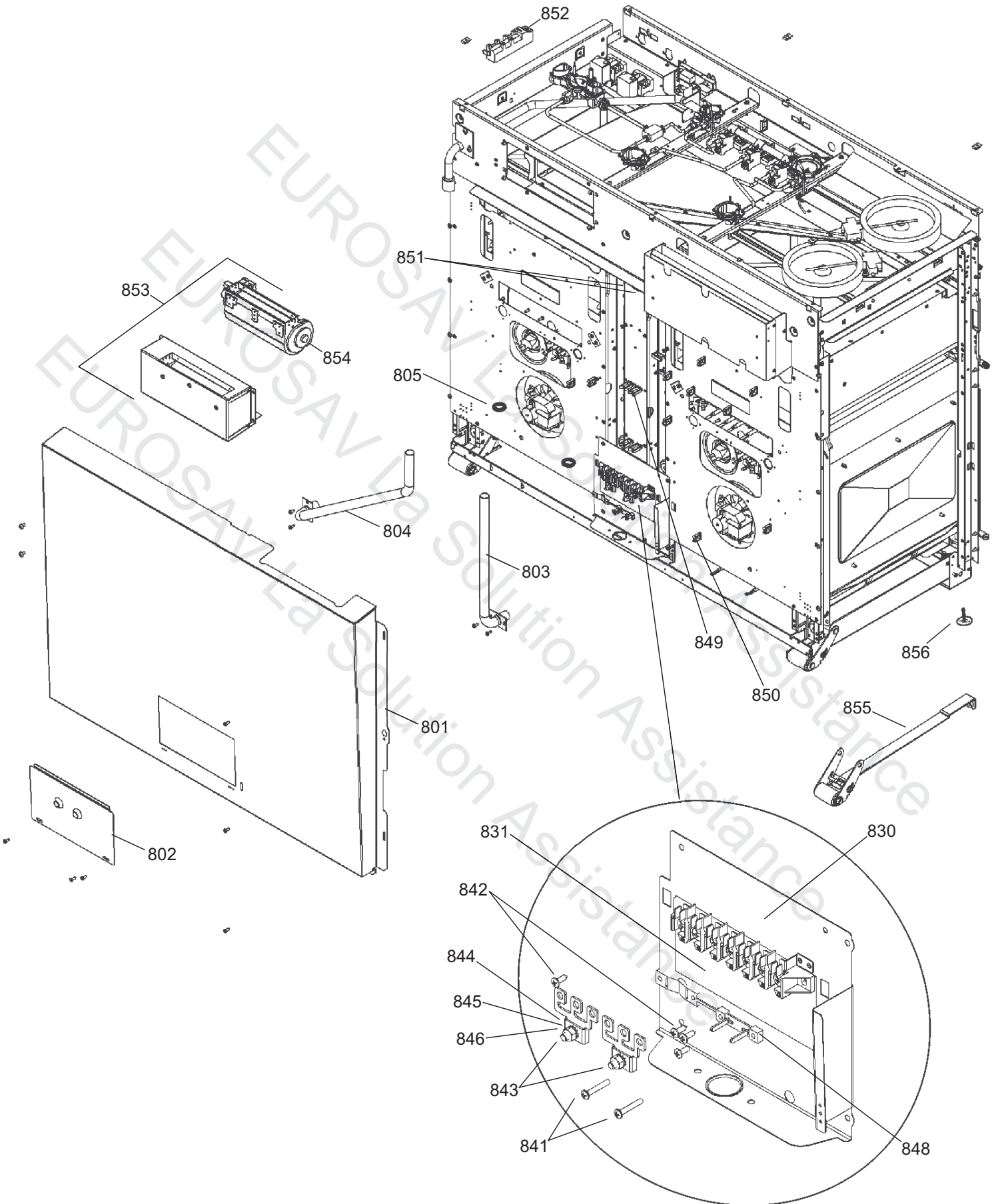


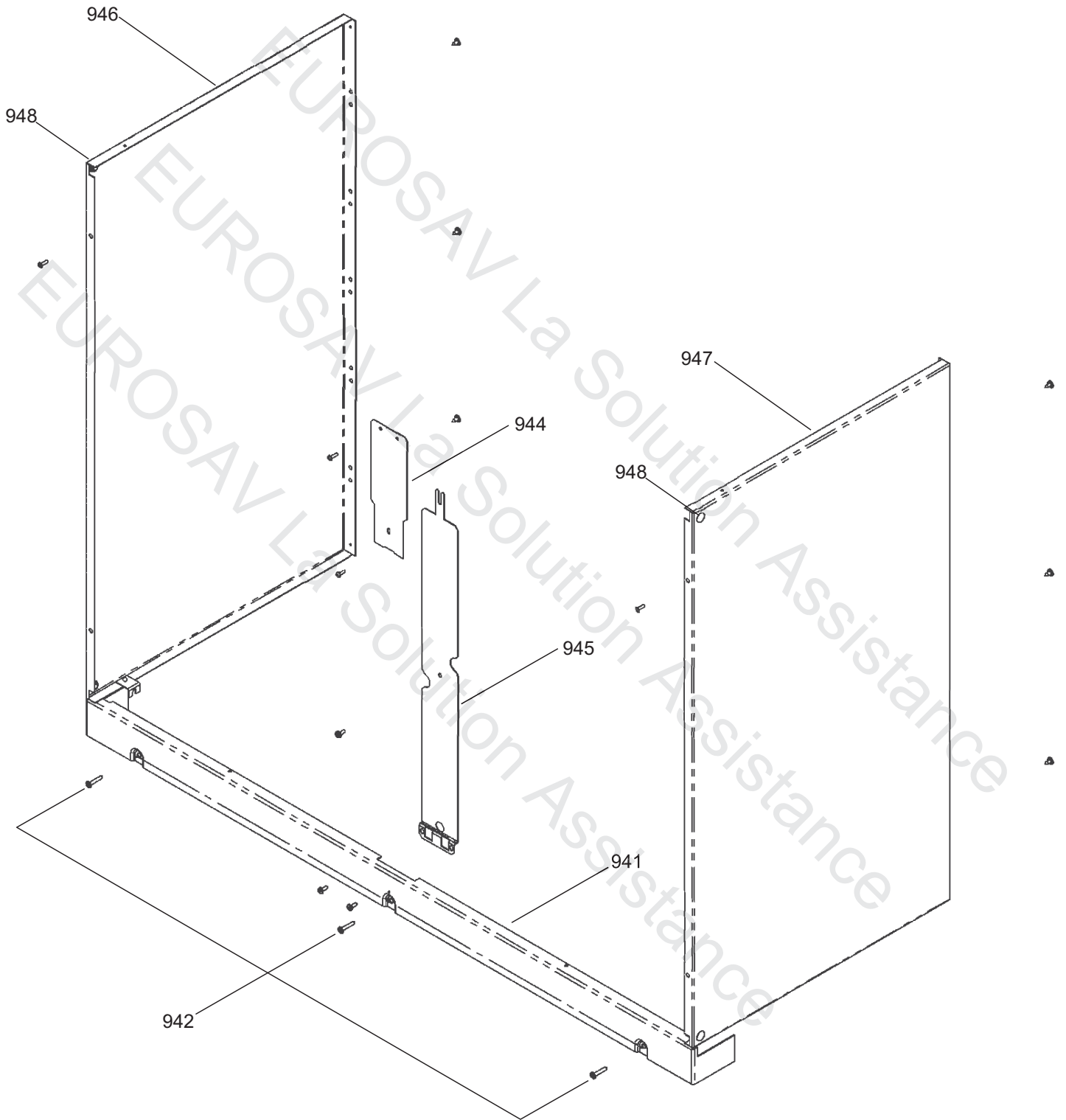




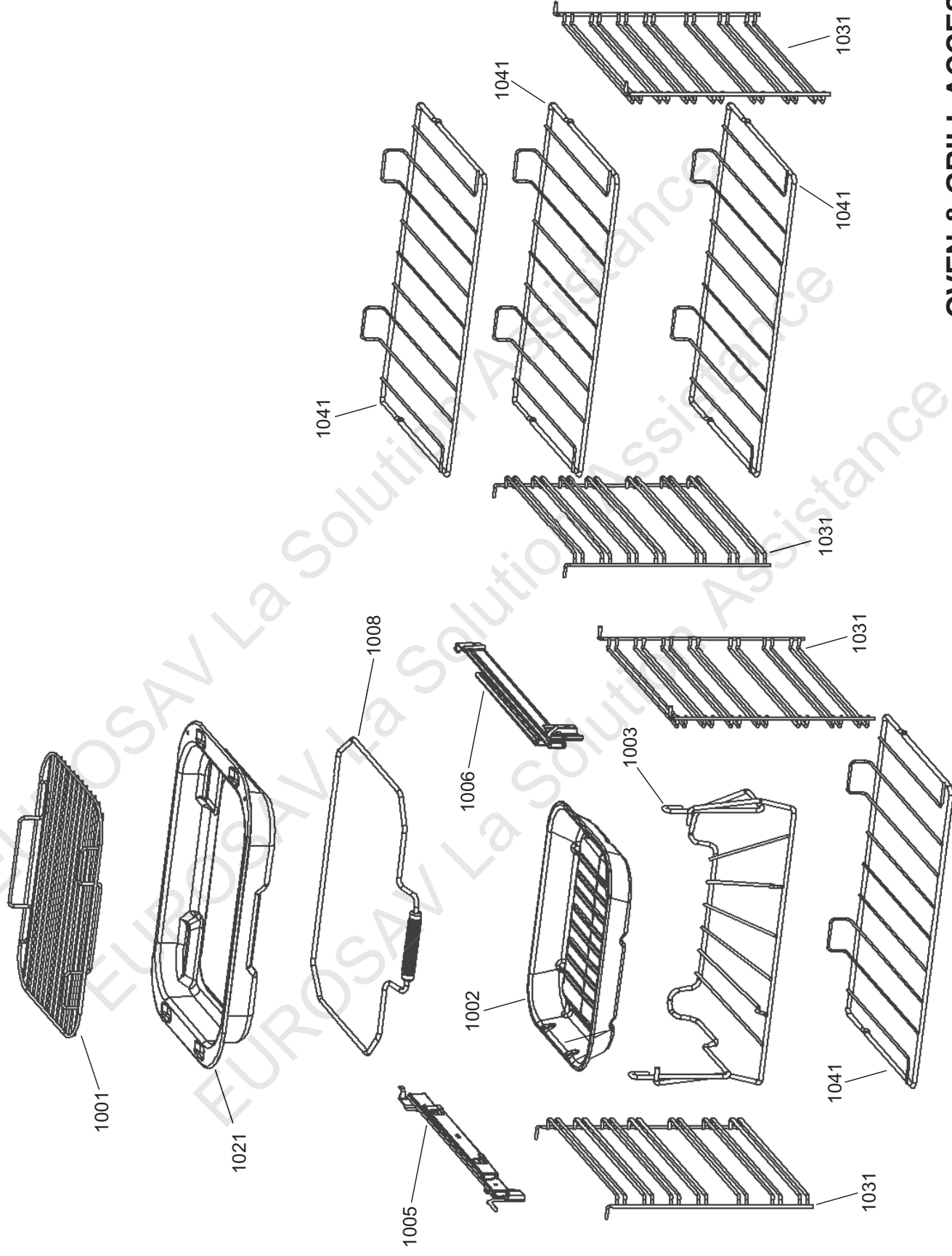
LEFT HAND OVEN (MULTI-FUNCTION & LIGHT)

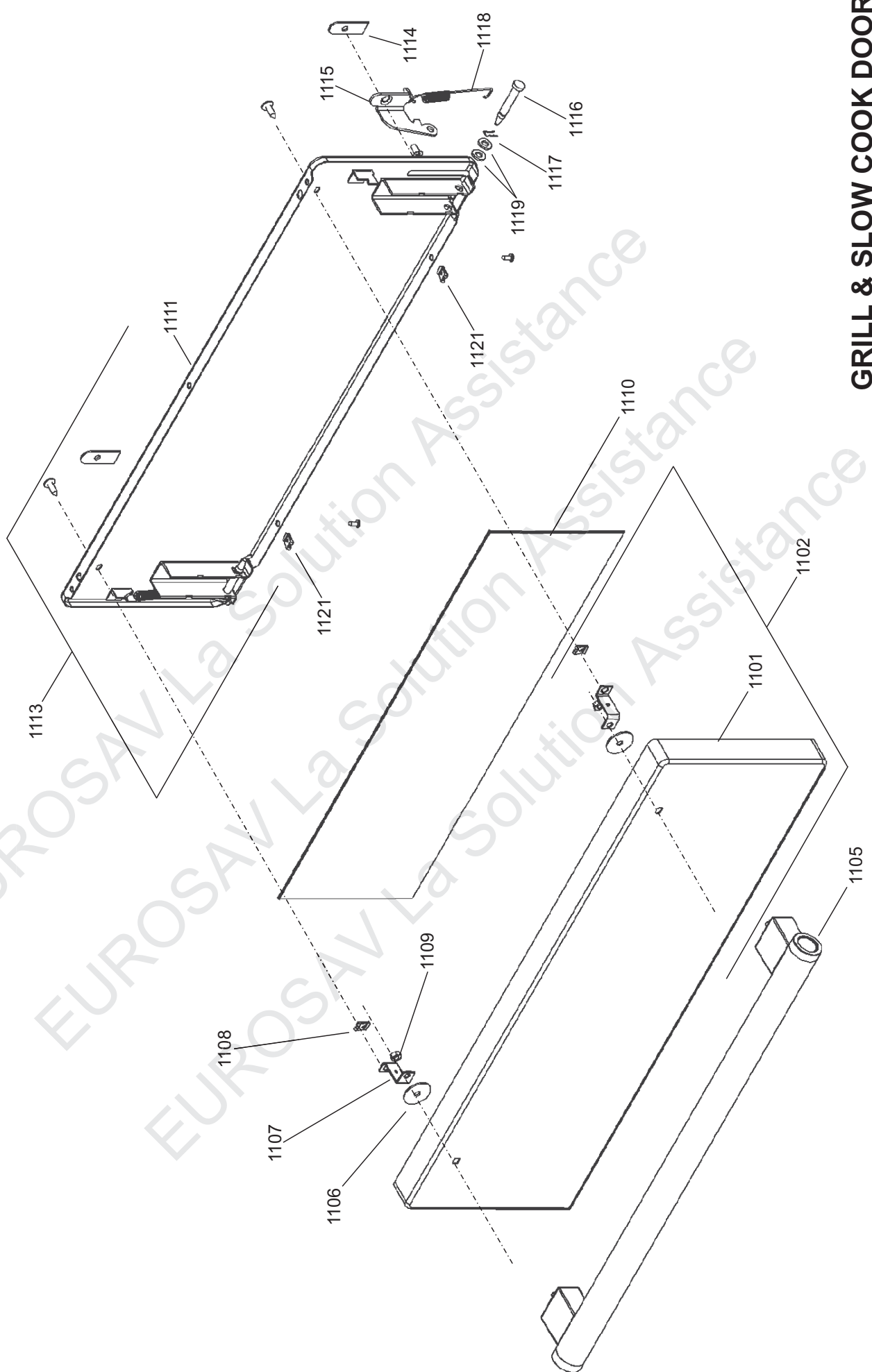


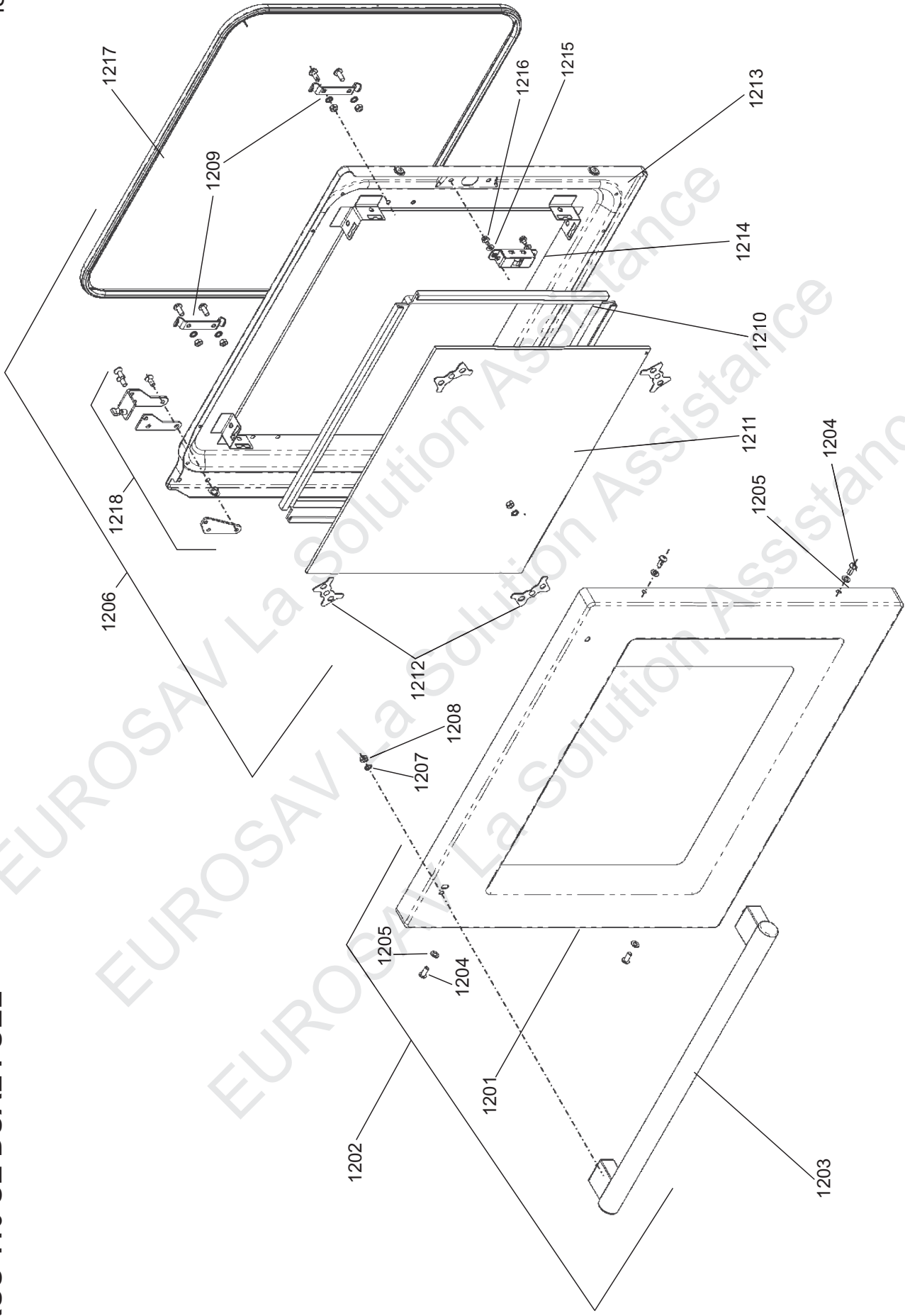


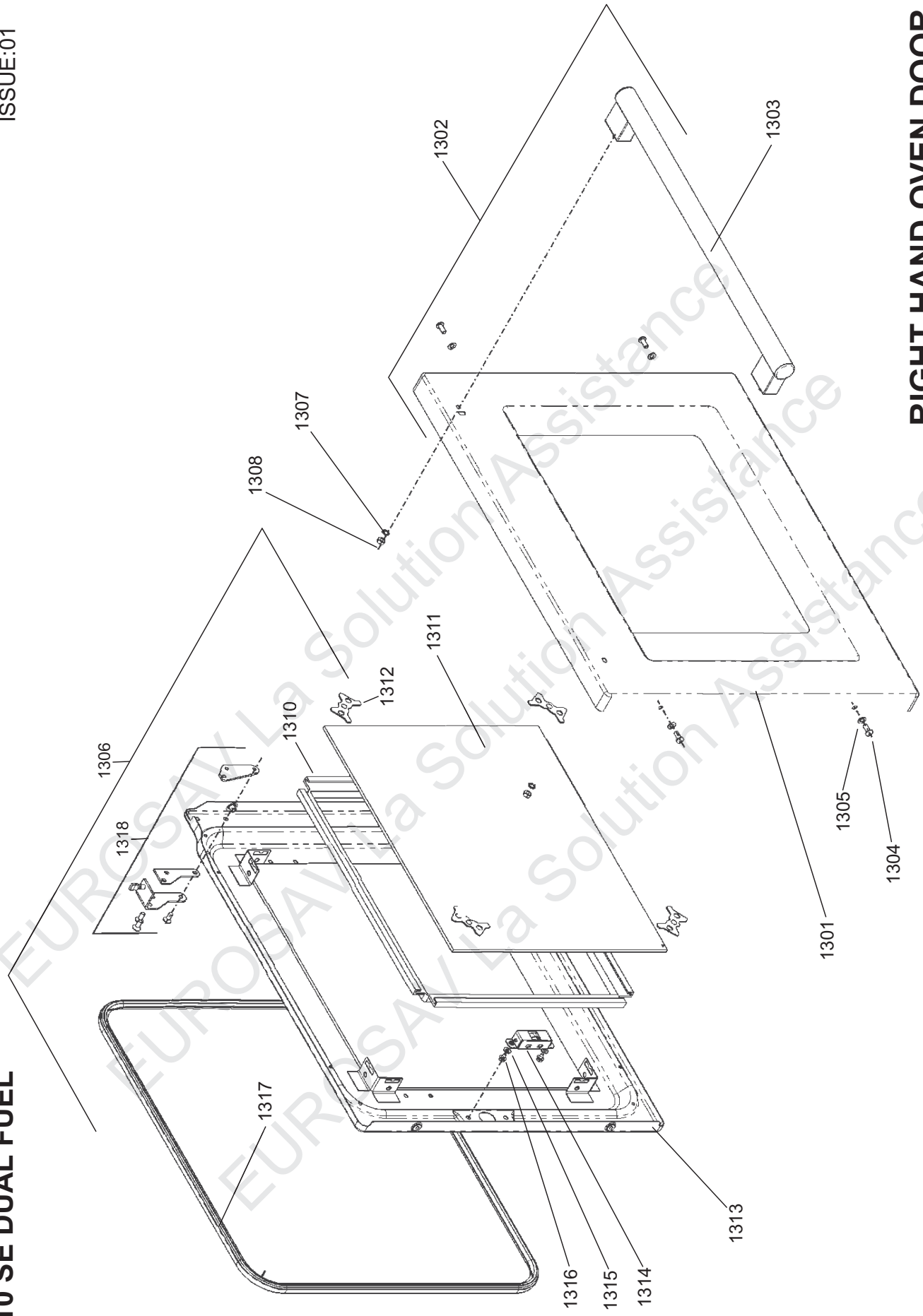


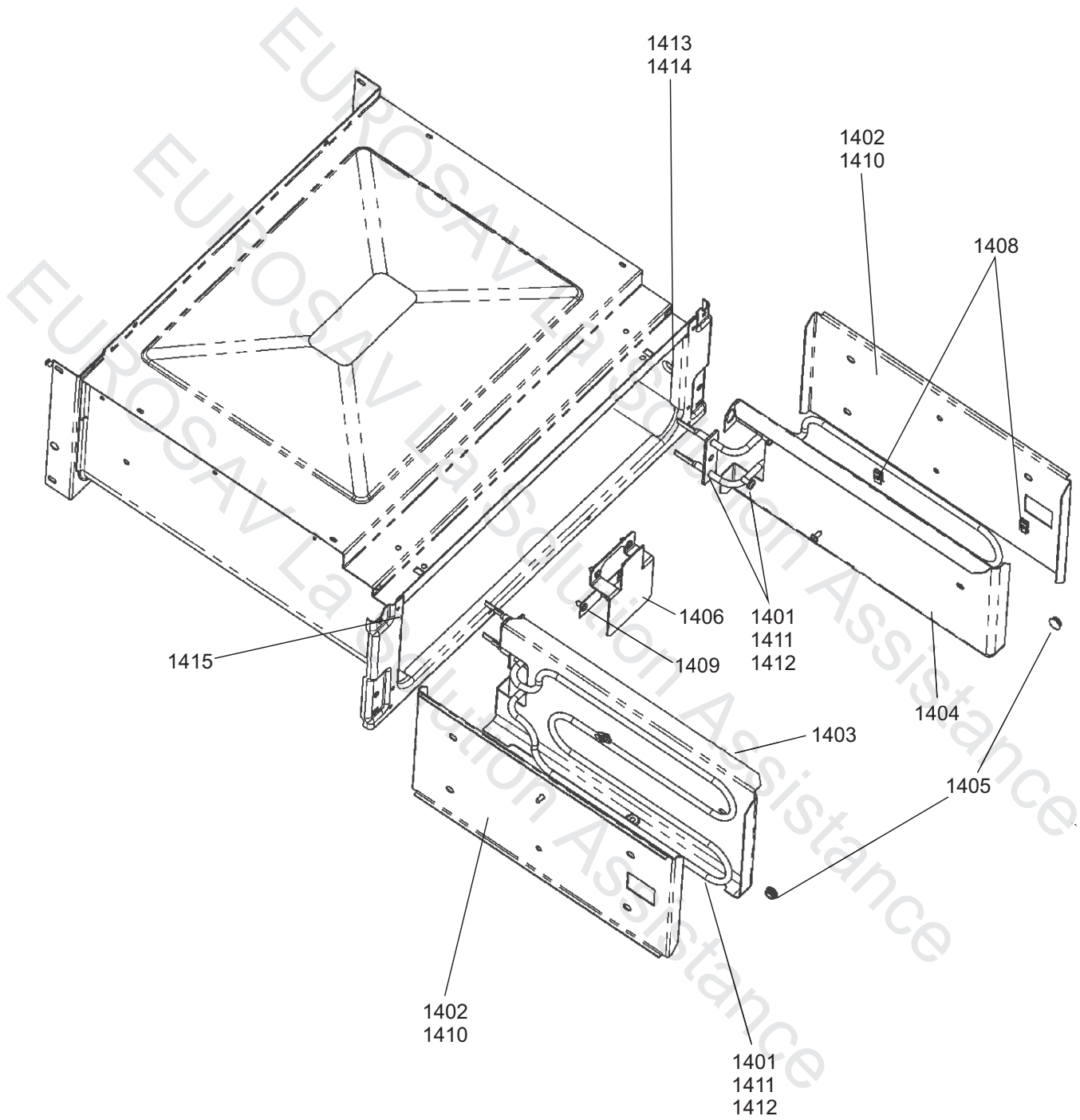
CHASSIS ACCESSORIES



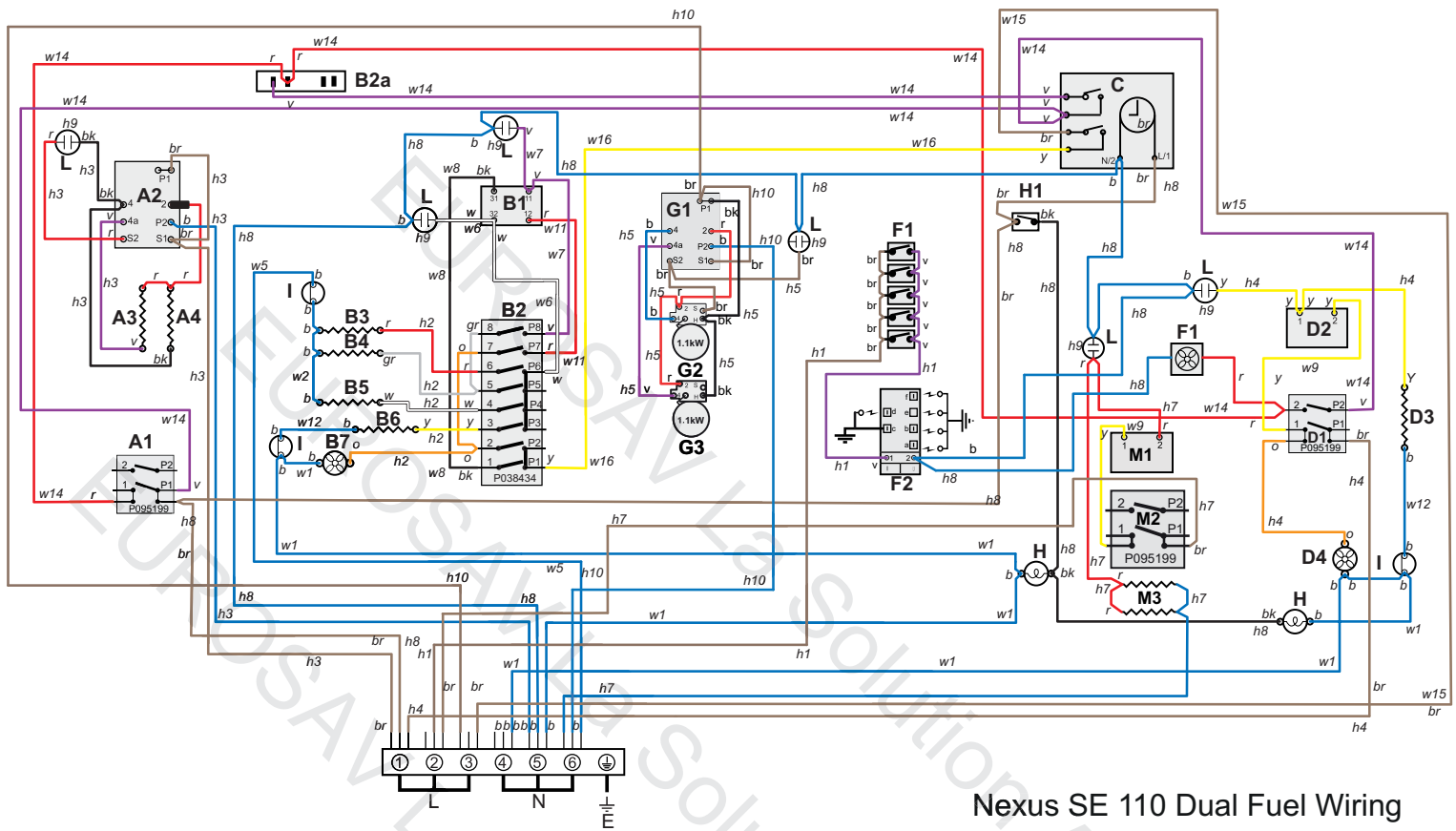








SLOW COOK OVEN



Nexus SE 110 Dual Fuel Wiring

Code	Description
A1	Grill Front Switch
A2	Grill Energy Regulator
A3	Grill Element Left Hand Side
A4	Grill Element Right Hand Side
B1	Left Hand Oven Thermostat
B2	Left Hand Oven Multifunction Switch
B3	Left Hand Oven Base Element
B4	Left Hand Oven Top Element (Outer Pair)
B5	Left hand Oven Browning Element (Inner Pair)
B6	Left hand Oven Fan Element
B7	Left Hand Oven Fan
C	Clock/Timer

Code	Description
D1	Right Hand Oven Front Switch
D2	Right Hand Oven Thermostat
D3	Right Hand Oven Element
D4	Right hand Oven Fan
F1	Ignition Switches
F2	Ignition Spark Generator
G1	Ceramic Hob Energy Regulator
G2	Rear Ceramic Hob Element
G3	Front Ceramic Hob Element
H1	Oven Light Switch
H2	Oven Light
I	Thermal Cut Outs
K	Neons
L	Cooling Fan
M1	Slow cook oven thermostat
M2	Slow cook oven front switch
M3	Slow cook oven elements

Code	Colour
b	Blue
br	Brown
bk	Black
or	Orange
r	Red
v	Violet
w	White
y	Yellow
g/y	Green / yellow
gr	Grey