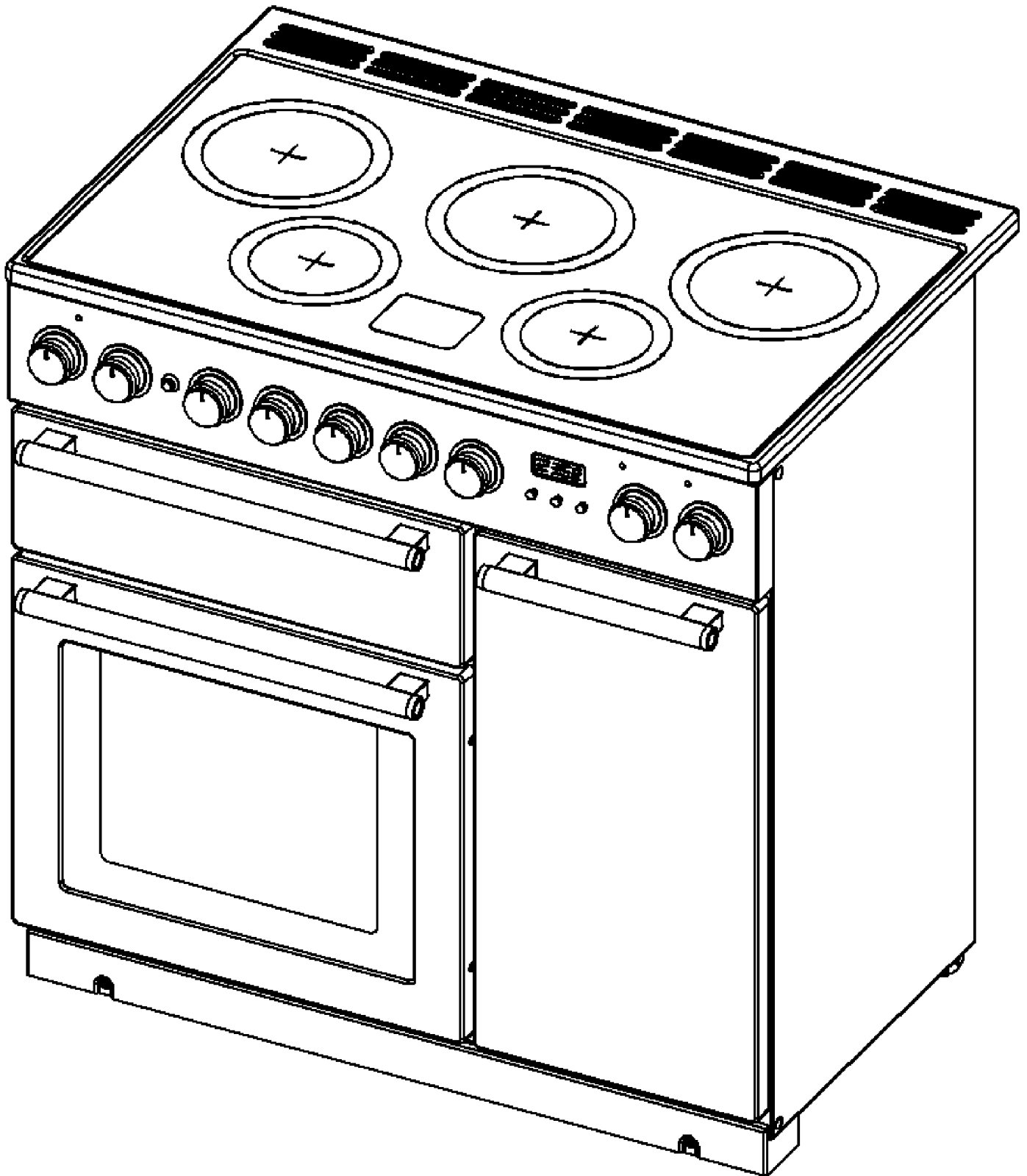
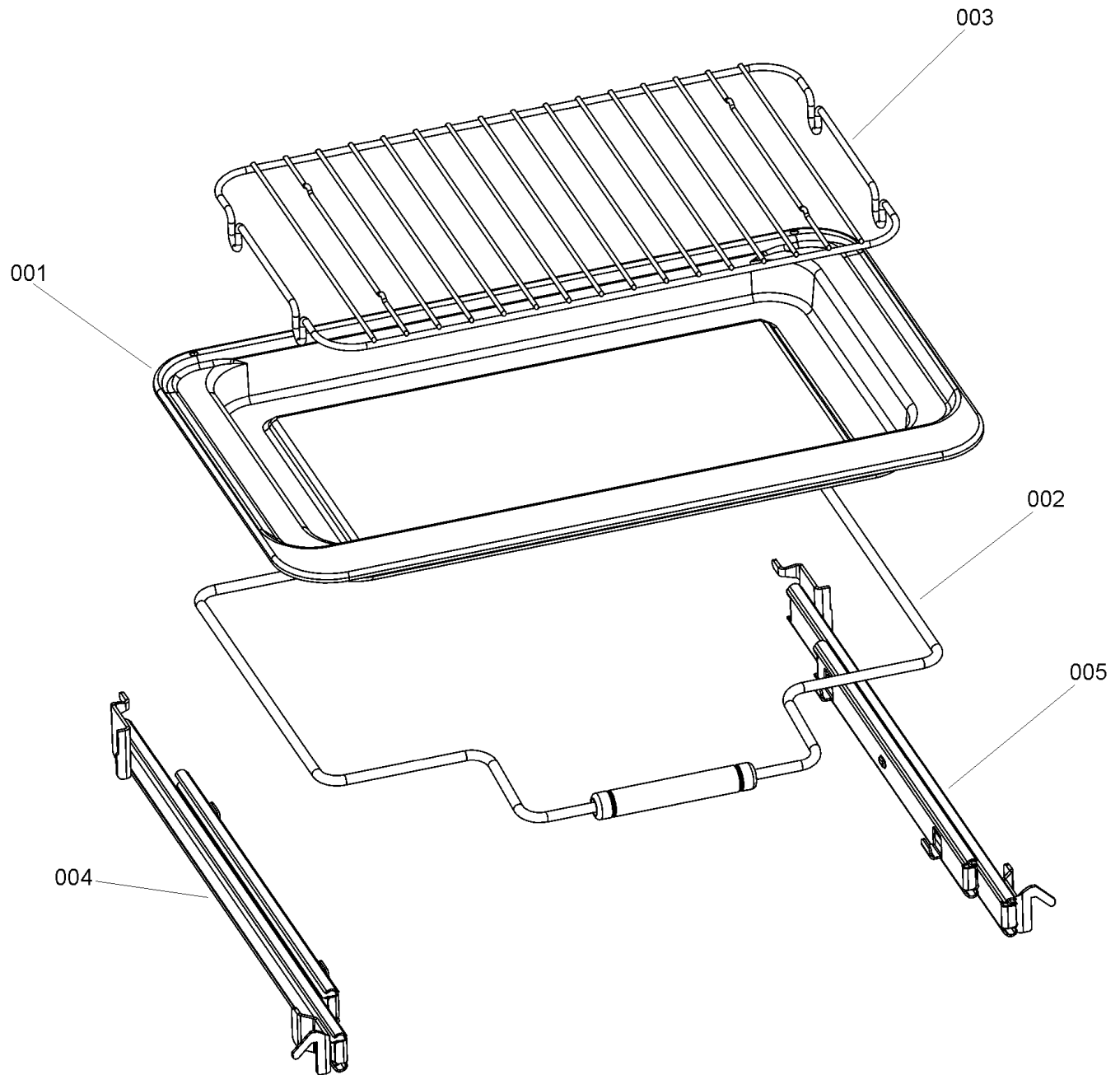
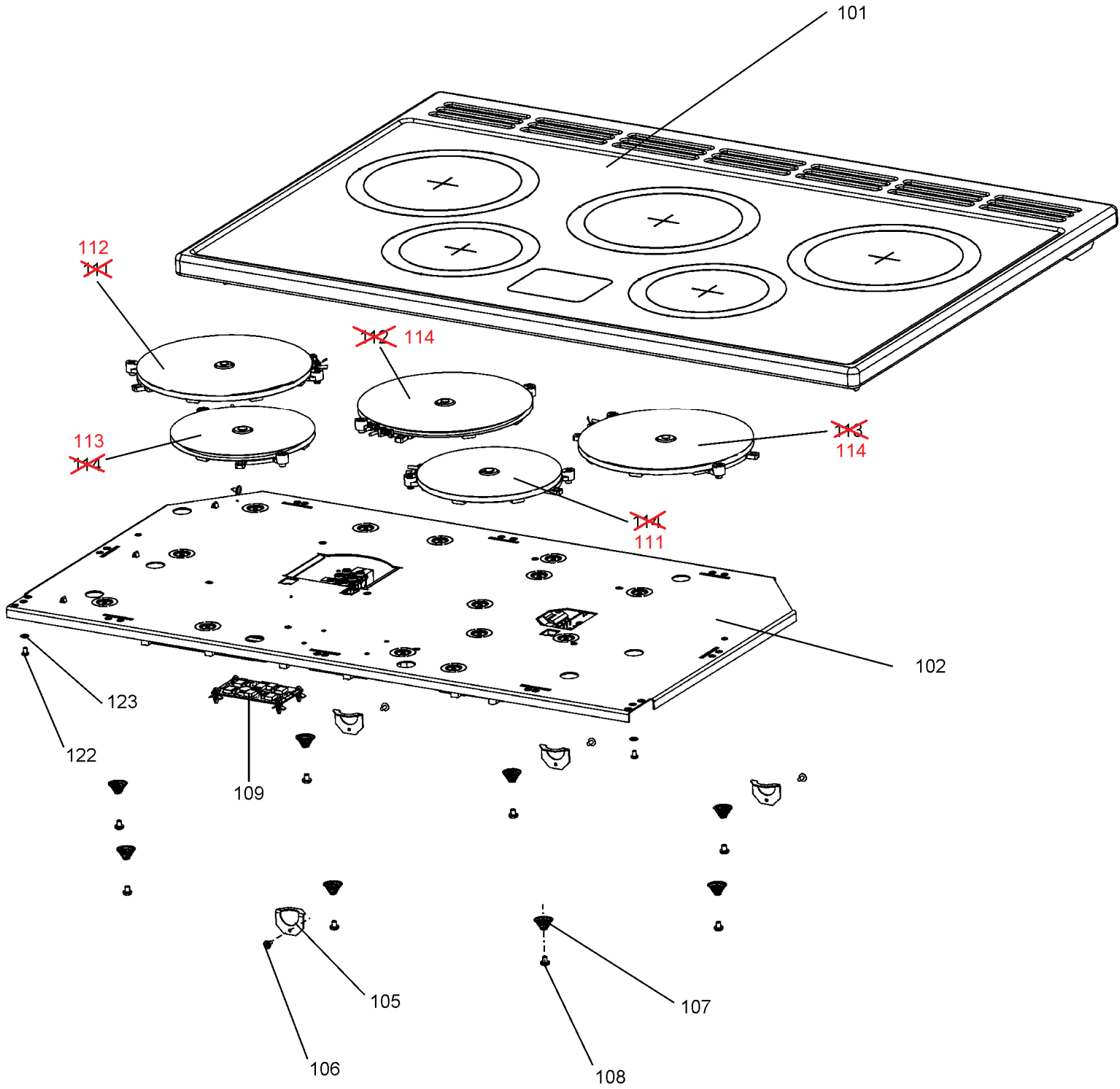
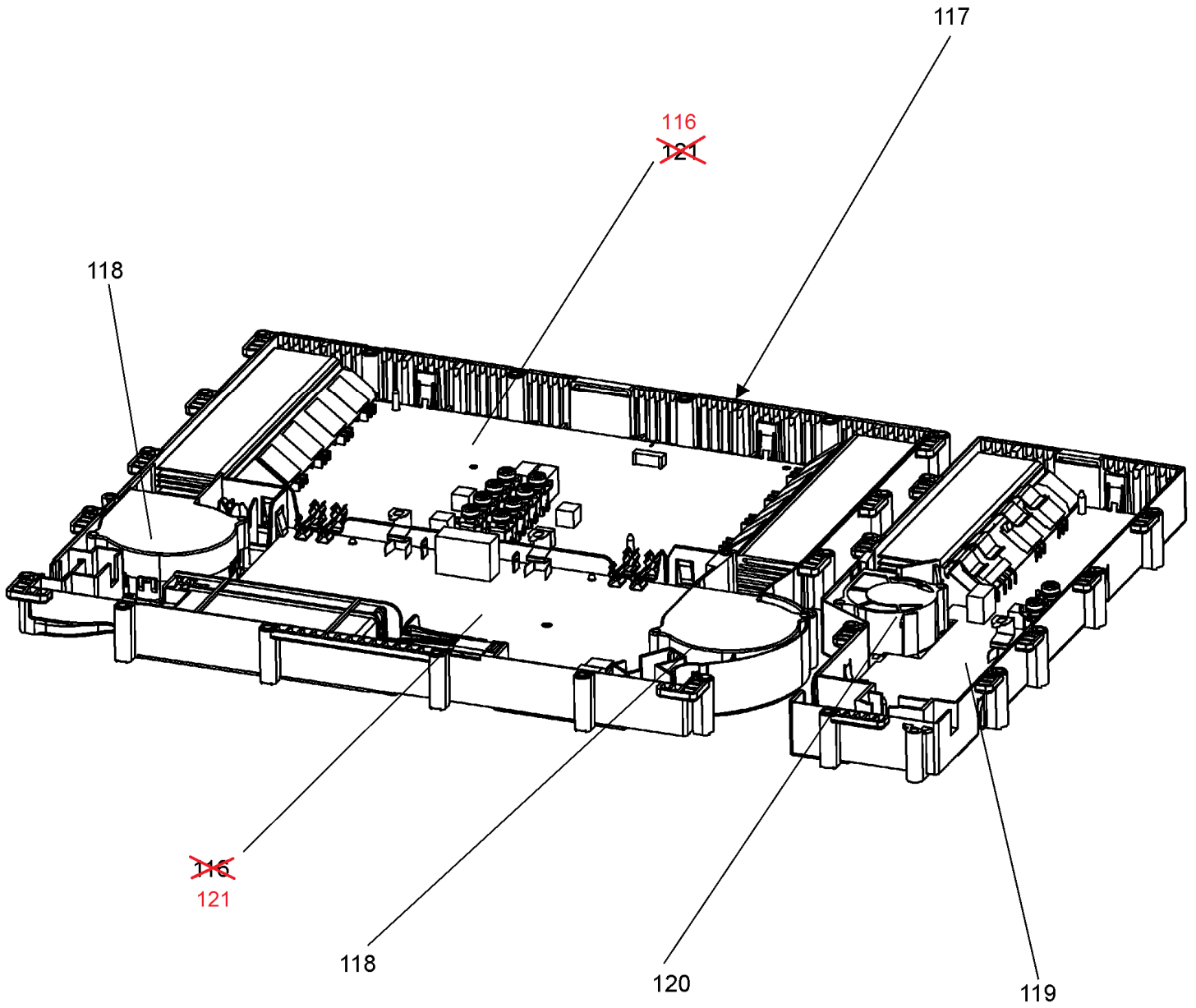


NEXUS 90 INDUCTION







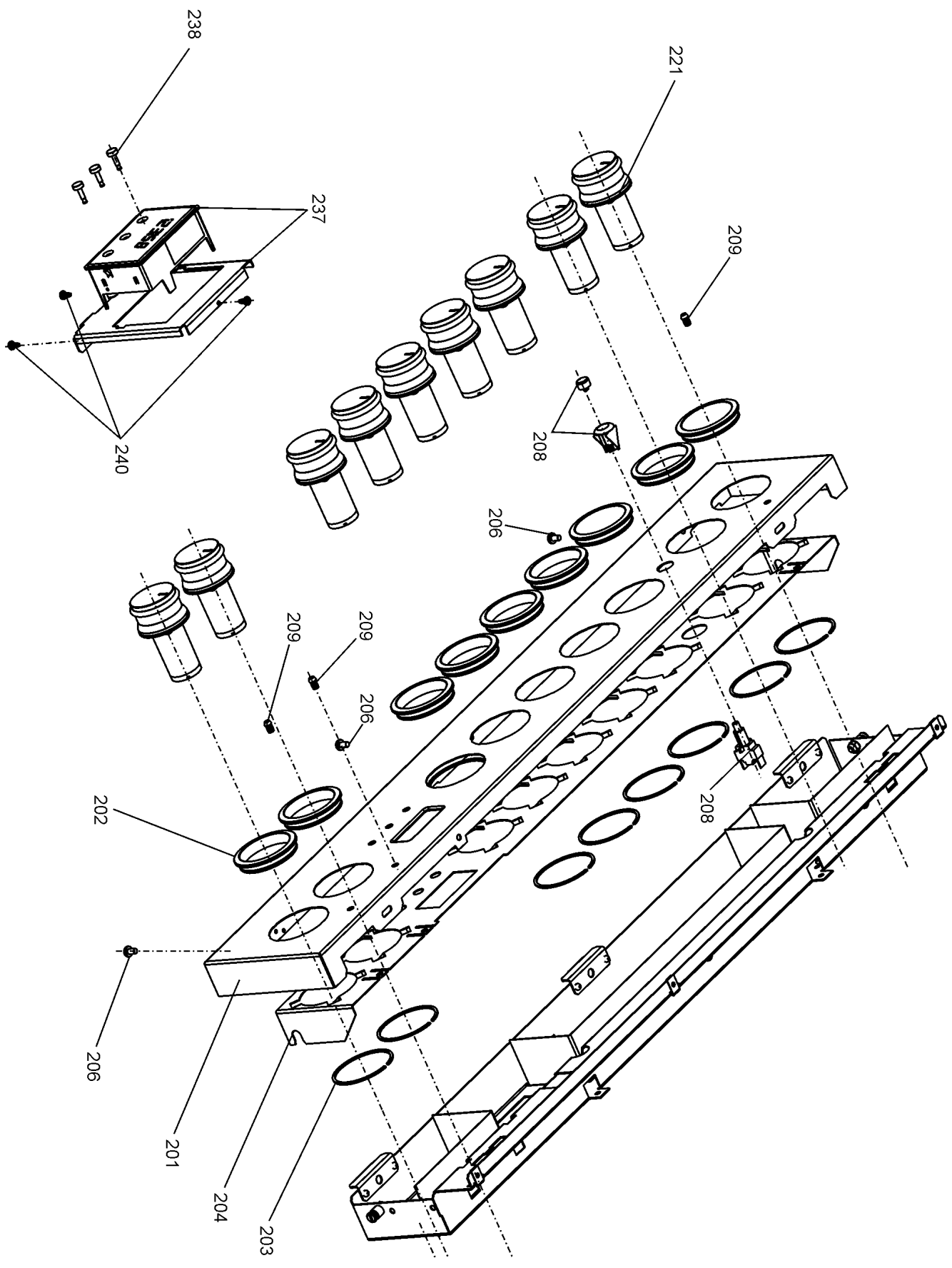


NEXUS 90 INDUCTION

DATE 31.03.15

DSL0595 P04

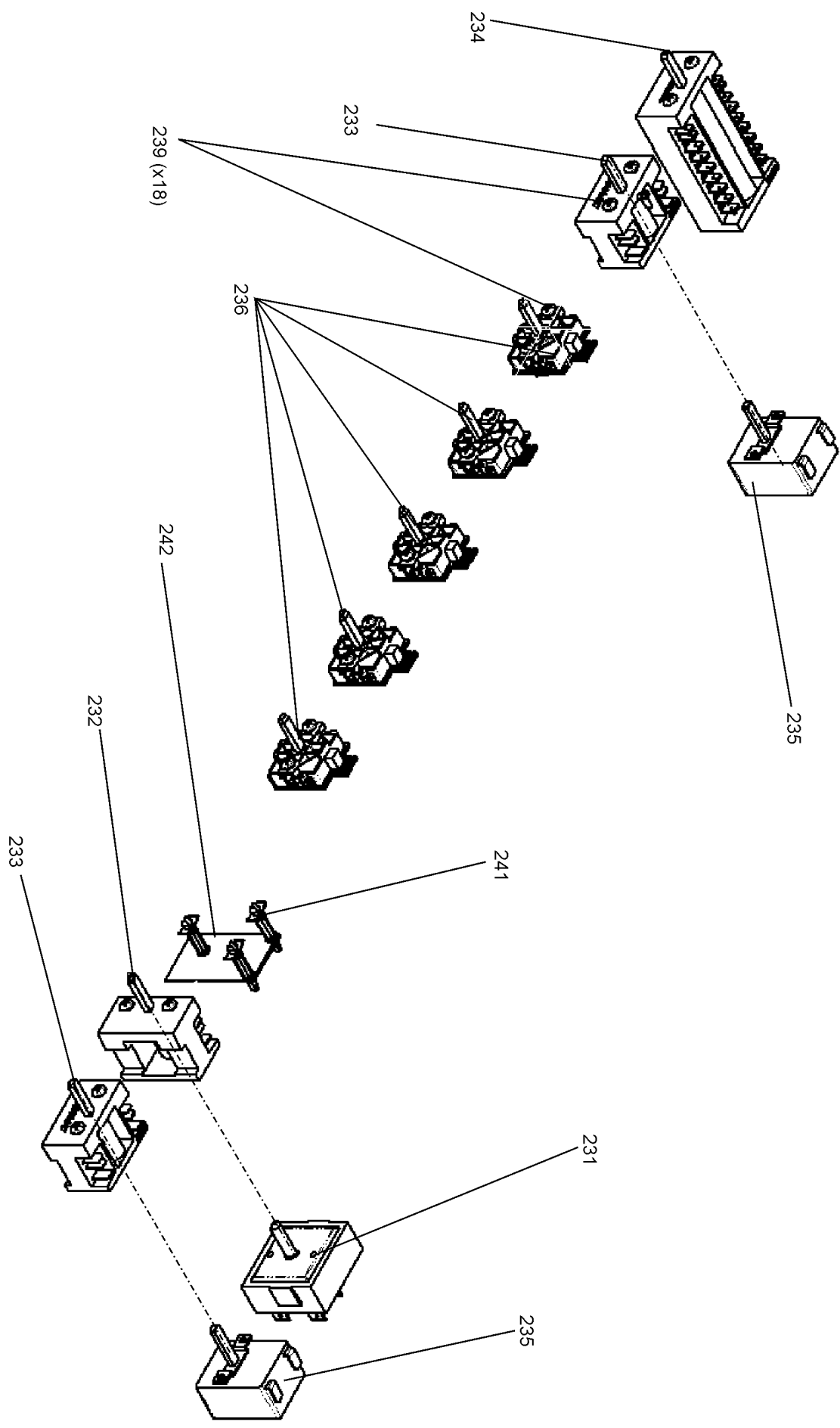
ISSUE STATUS 01

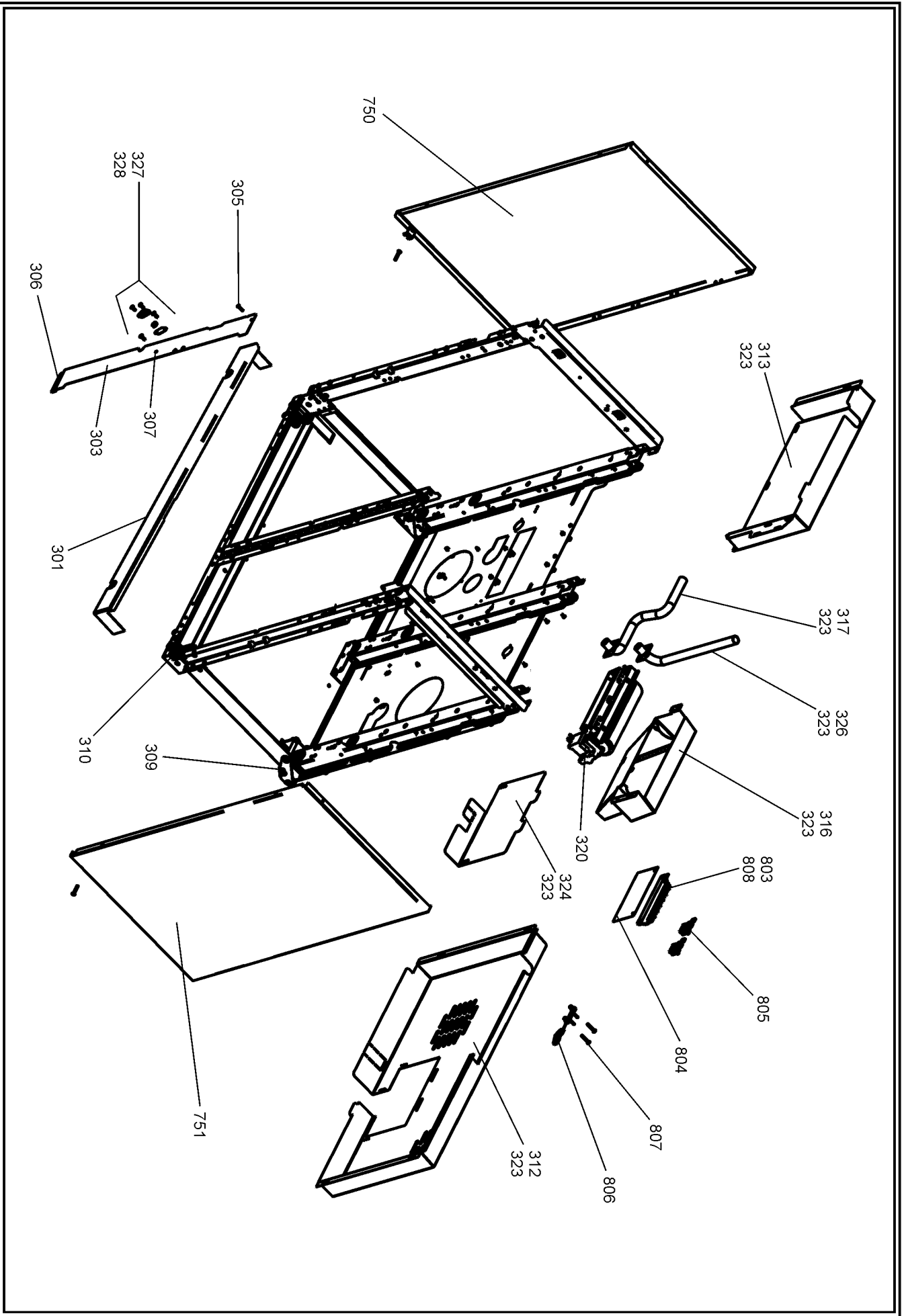


NEXUS 90 INDUCTION

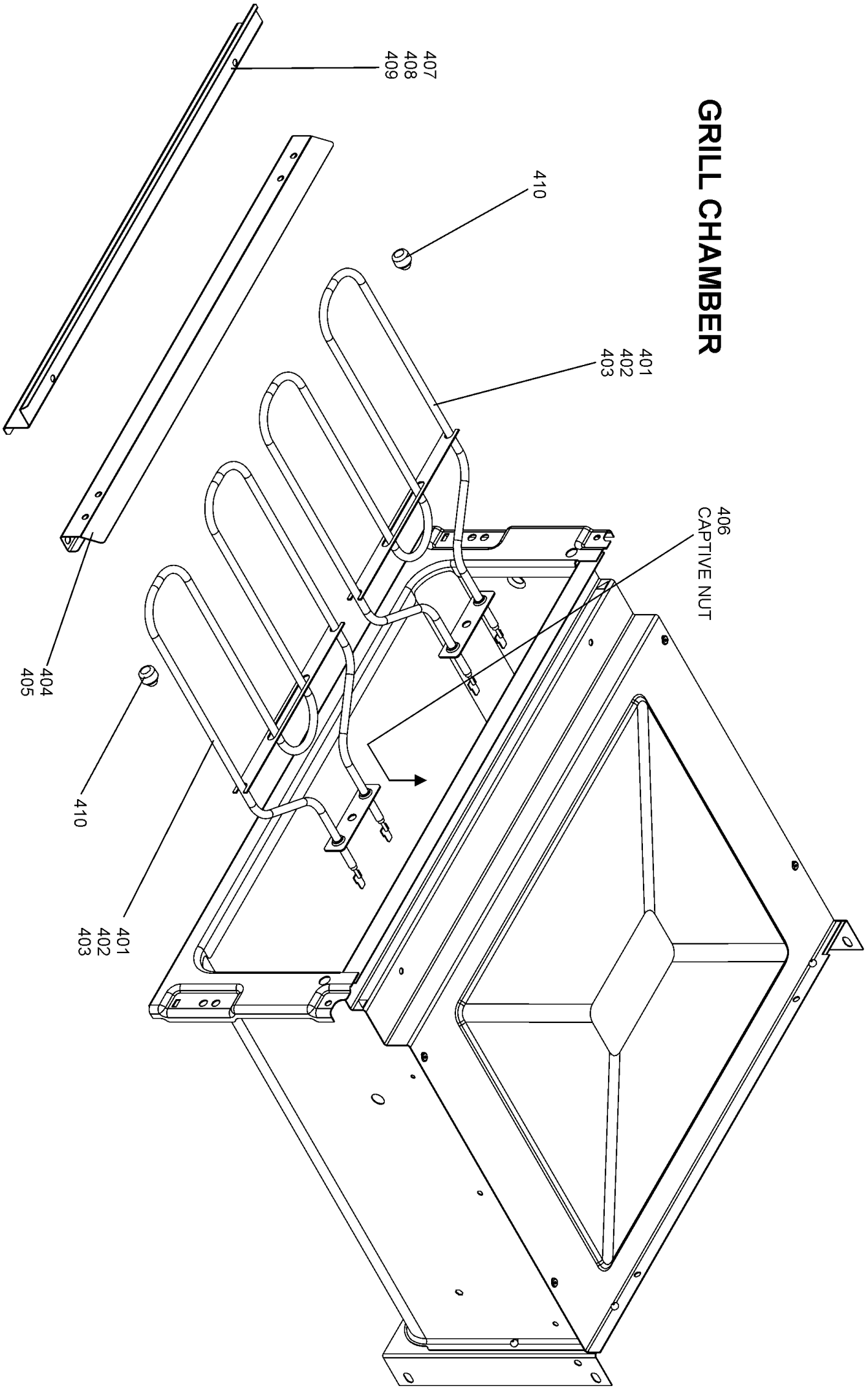
DATE 31.03.15

DSL0595 P04A
ISSUE STATUS 01

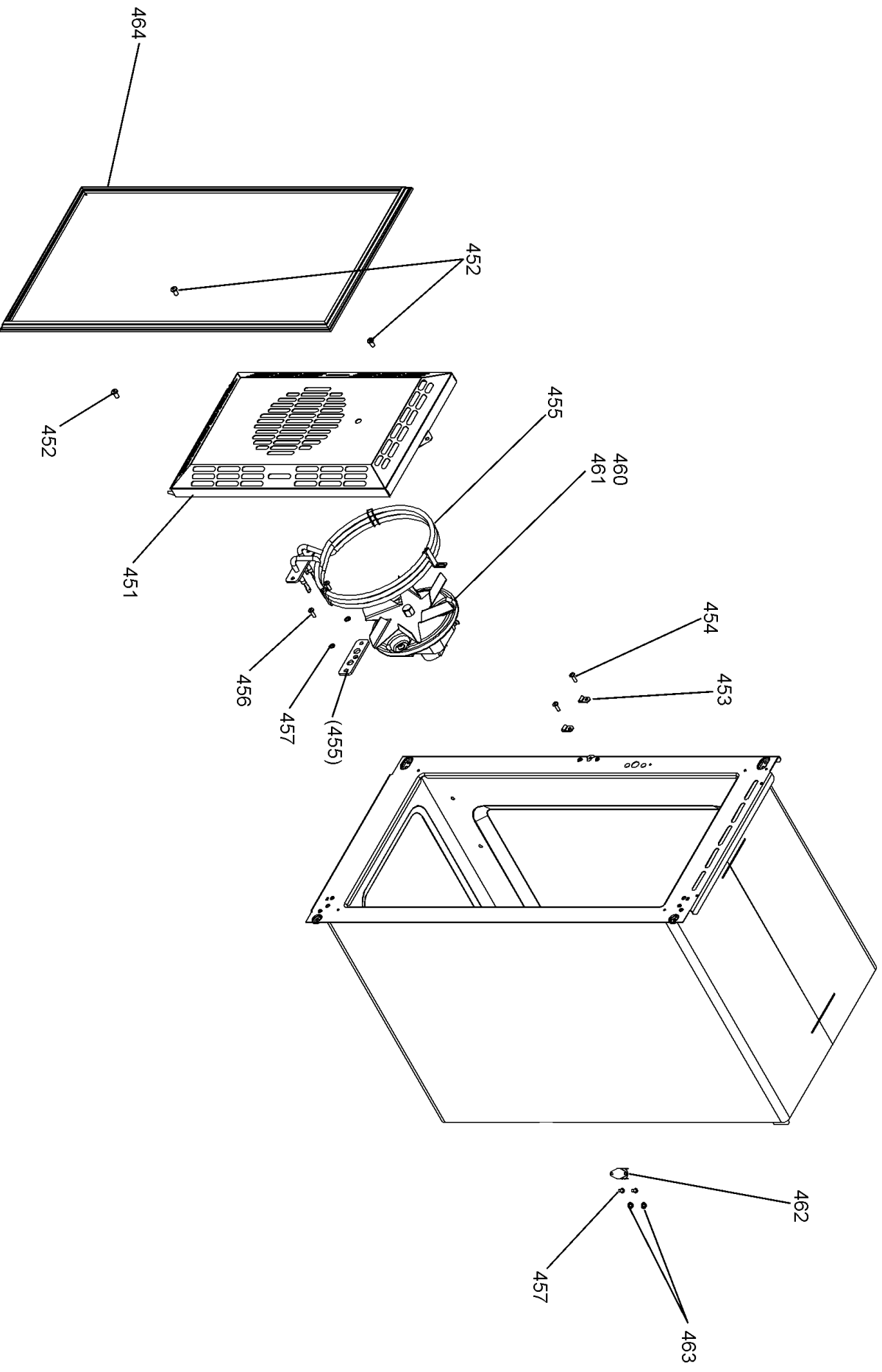


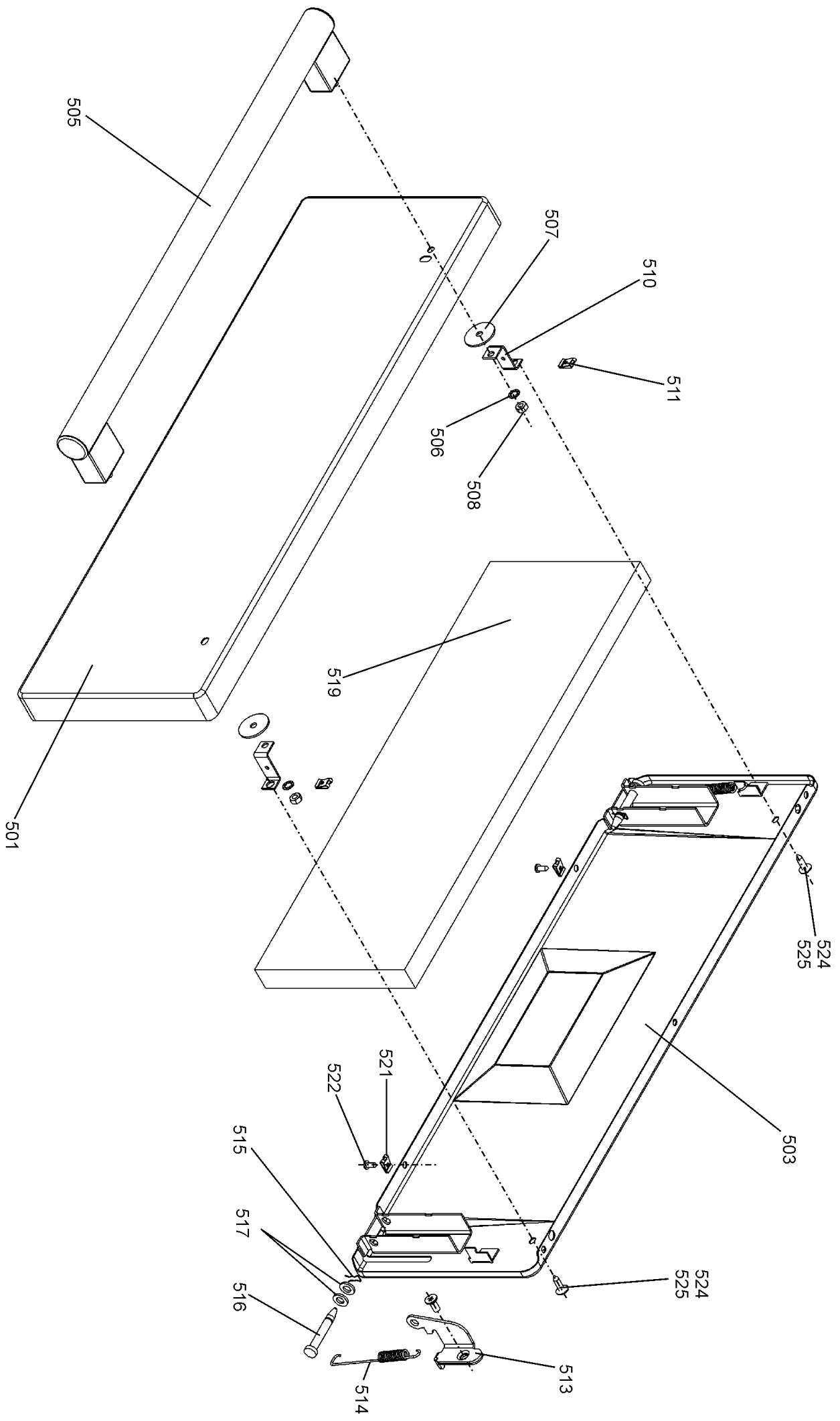


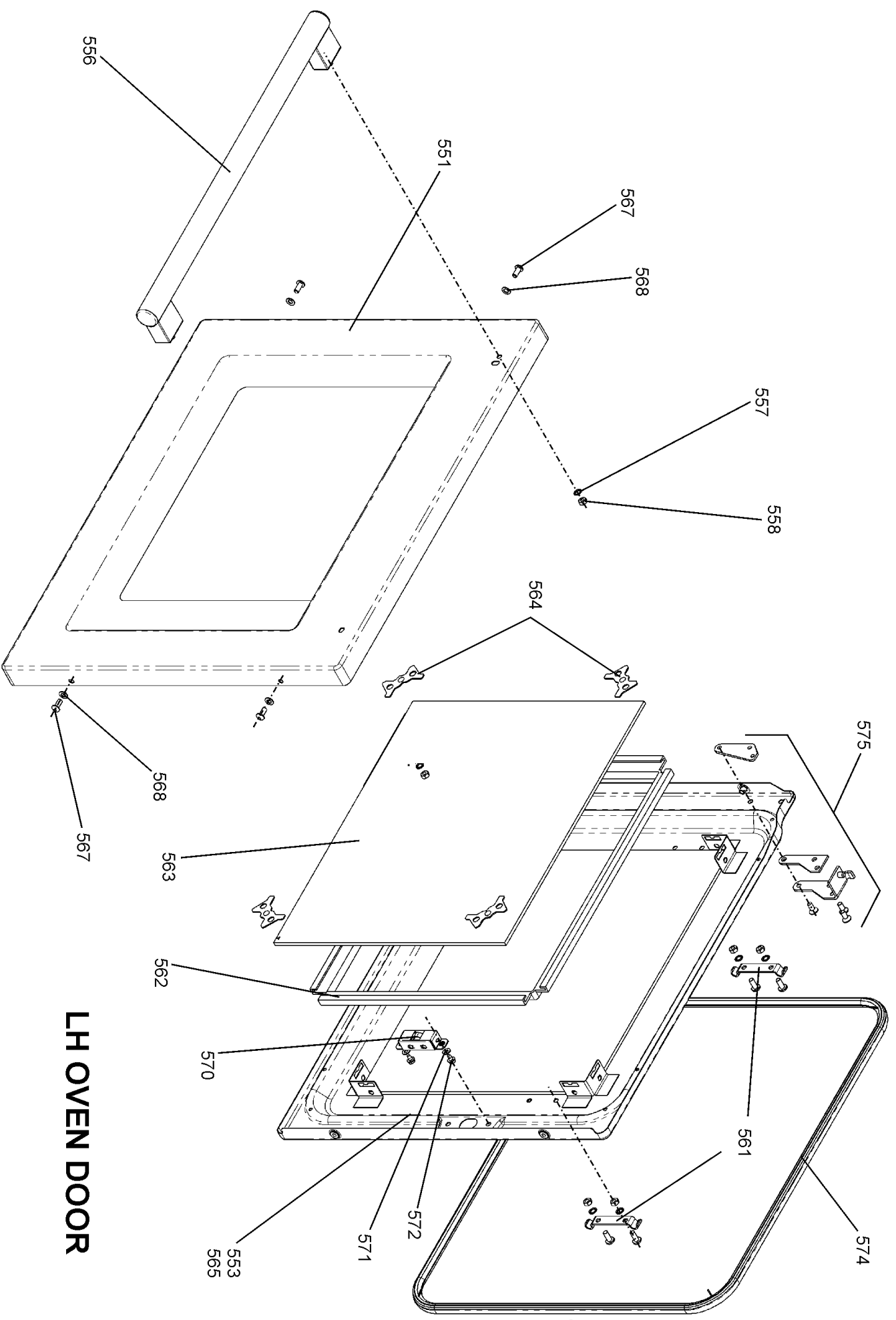
GRILL CHAMBER



RH TALL OVEN ASSEMBLY







LH OVEN DOOR

