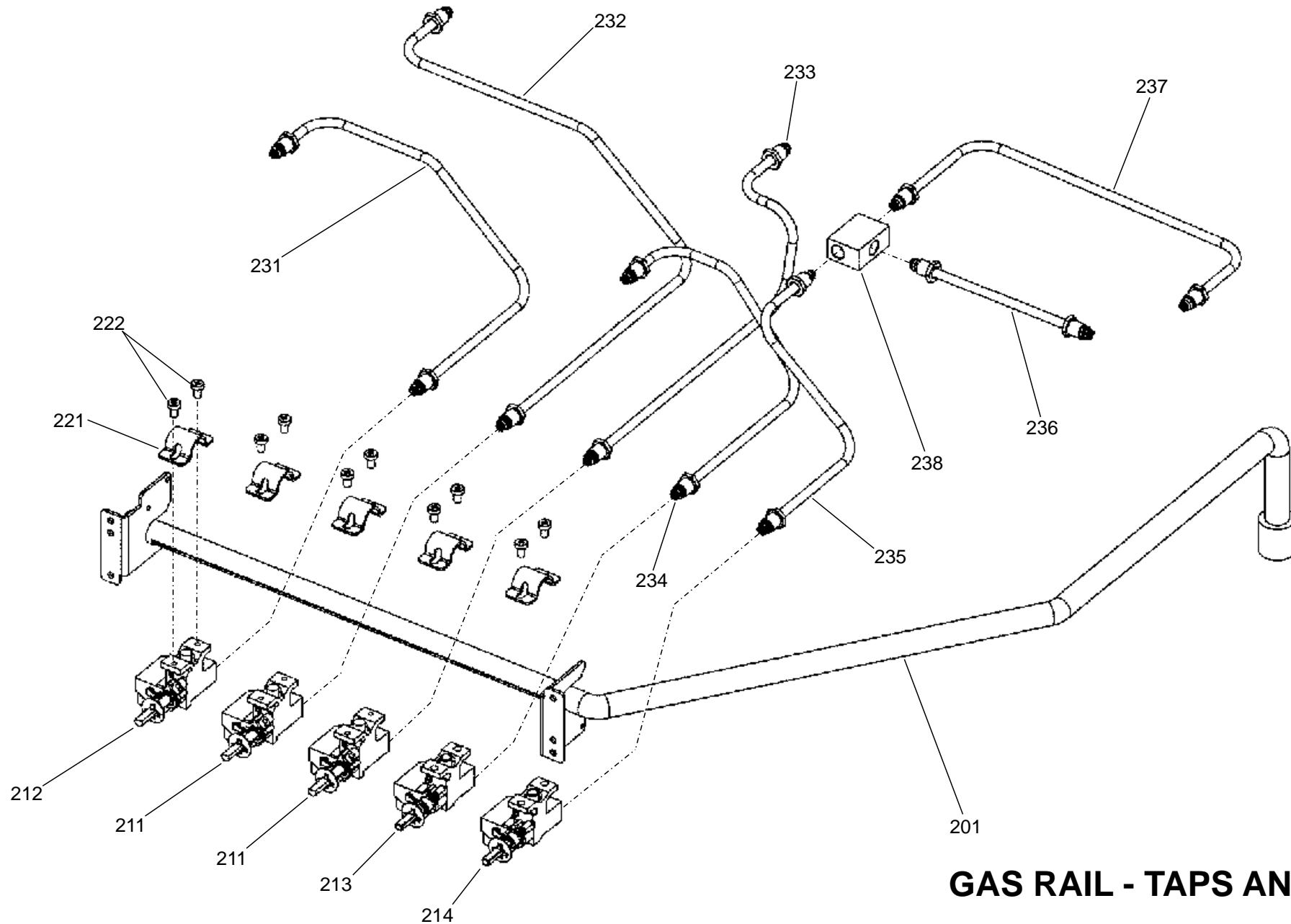


**FALCON / RANGEMASTER
NEXUS 90 DUAL FUEL**

DATE: 07.01.2019

DSL0776 P00
ISSUE:01



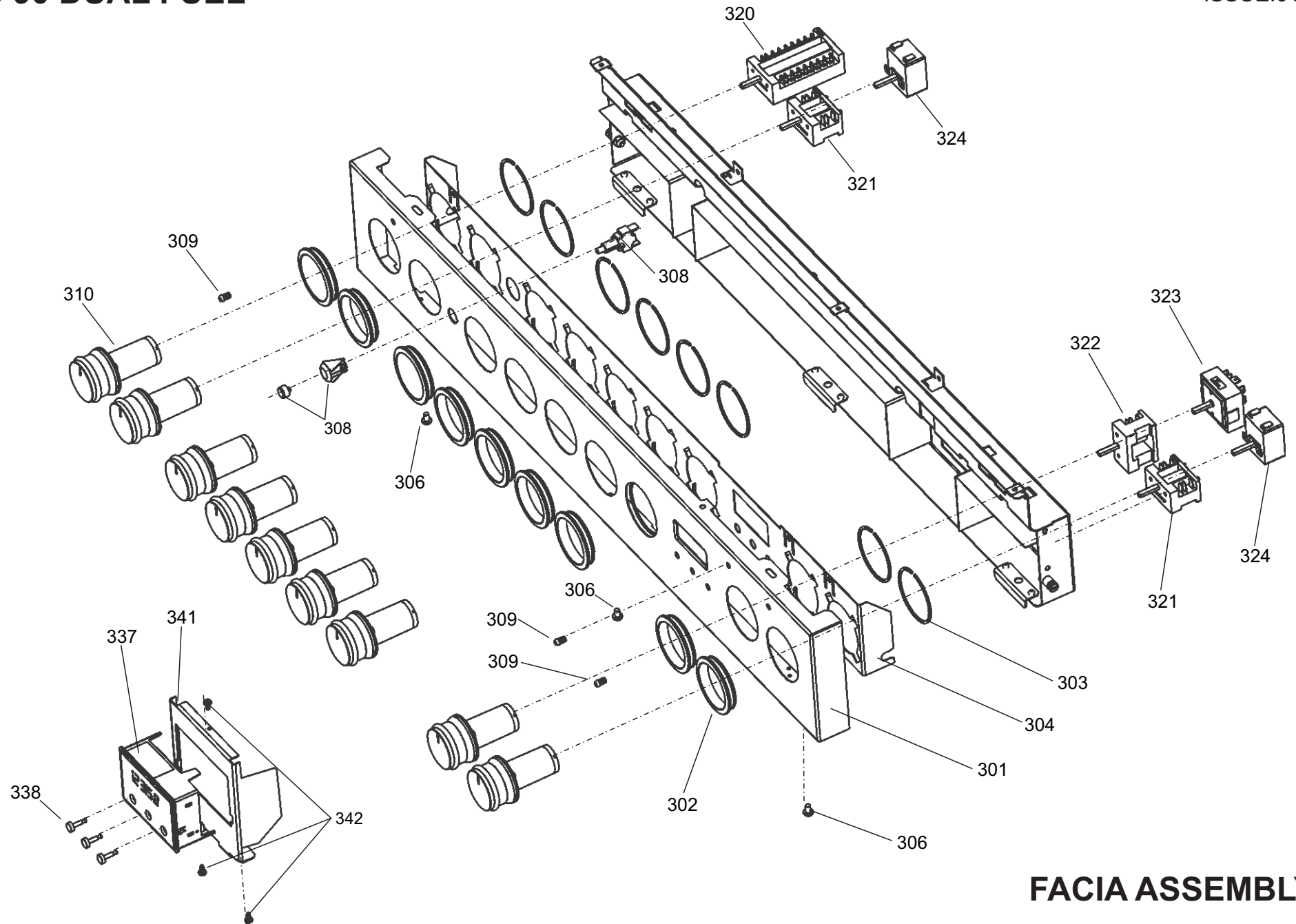


GAS RAIL - TAPS AND PIPES

FALCON / RANGEMASTER NEXUS 90 DUAL FUEL

DATE: 07.01.2019

DSL0776 P03
ISSUE:01

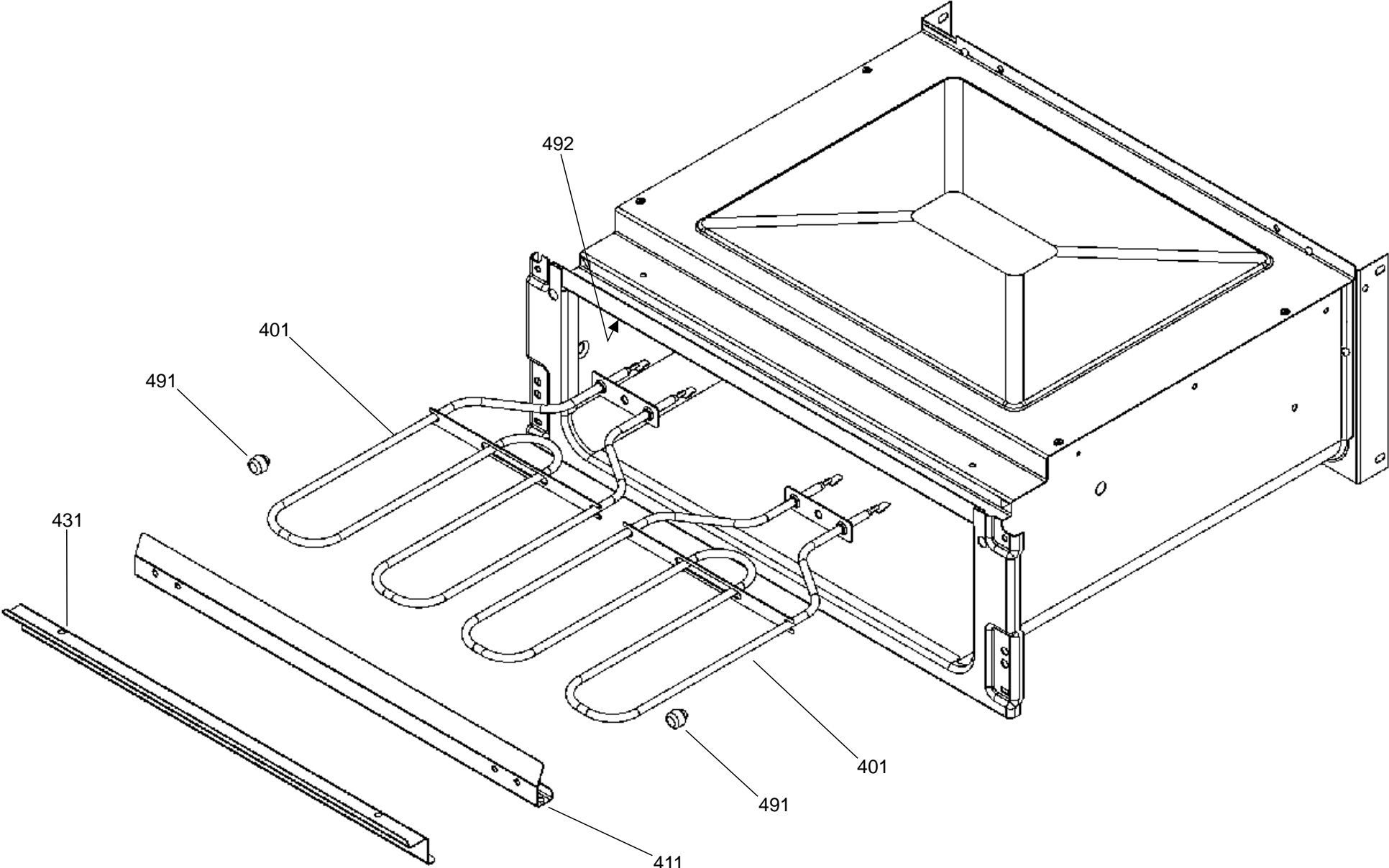


FACIA ASSEMBLY

**FALCON / RANGEMASTER
NEXUS 90 DUAL FUEL**

DATE: 07.01.2019

DSL0776 P04
ISSUE: 01



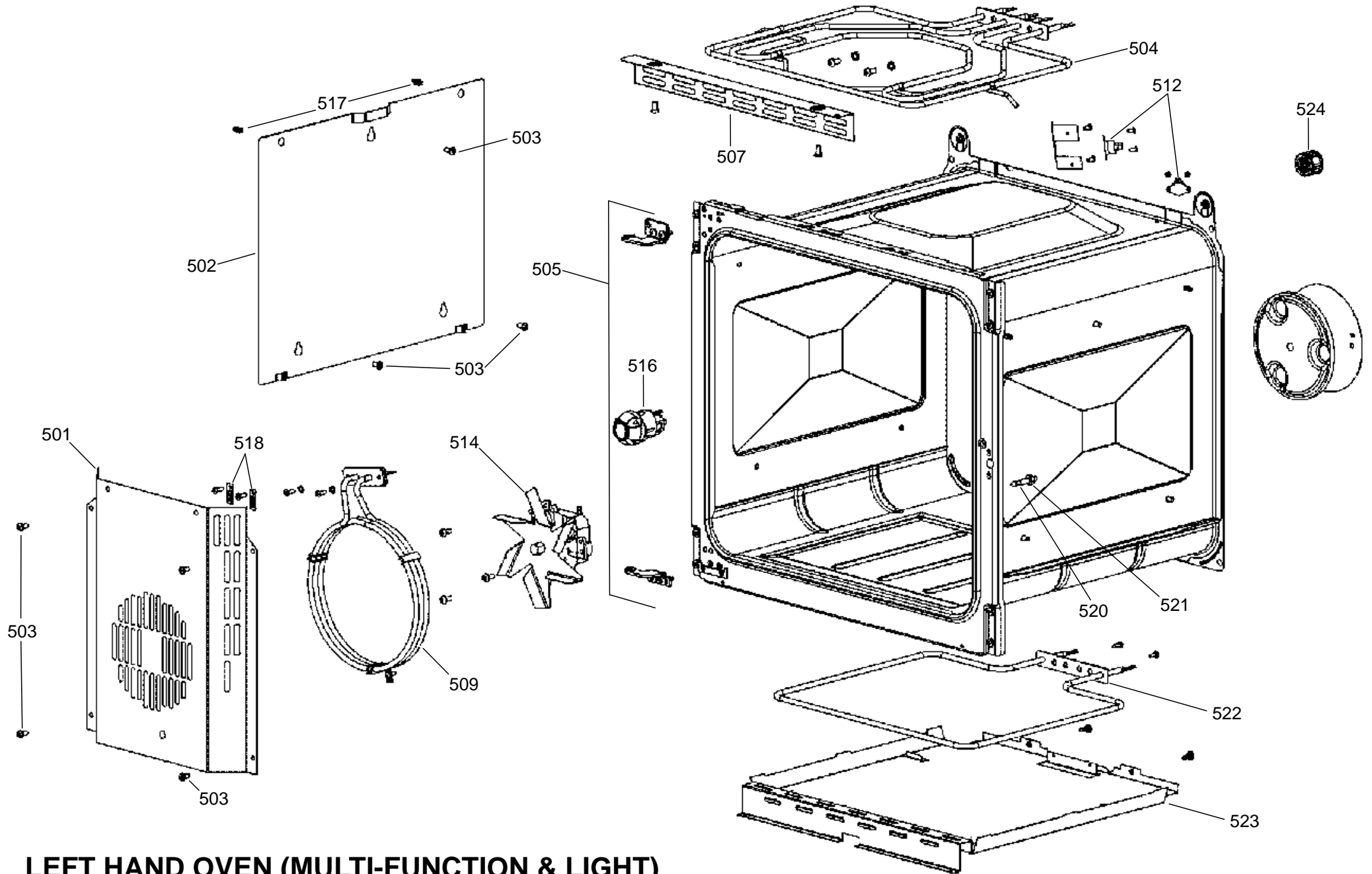
GRILL CHAMBER ASSEMBLY

FALCON / RANGEMASTER NEXUS 90 DUAL FUEL

DATE: 07.01.2019

DSL0776 P05

ISSUE:01

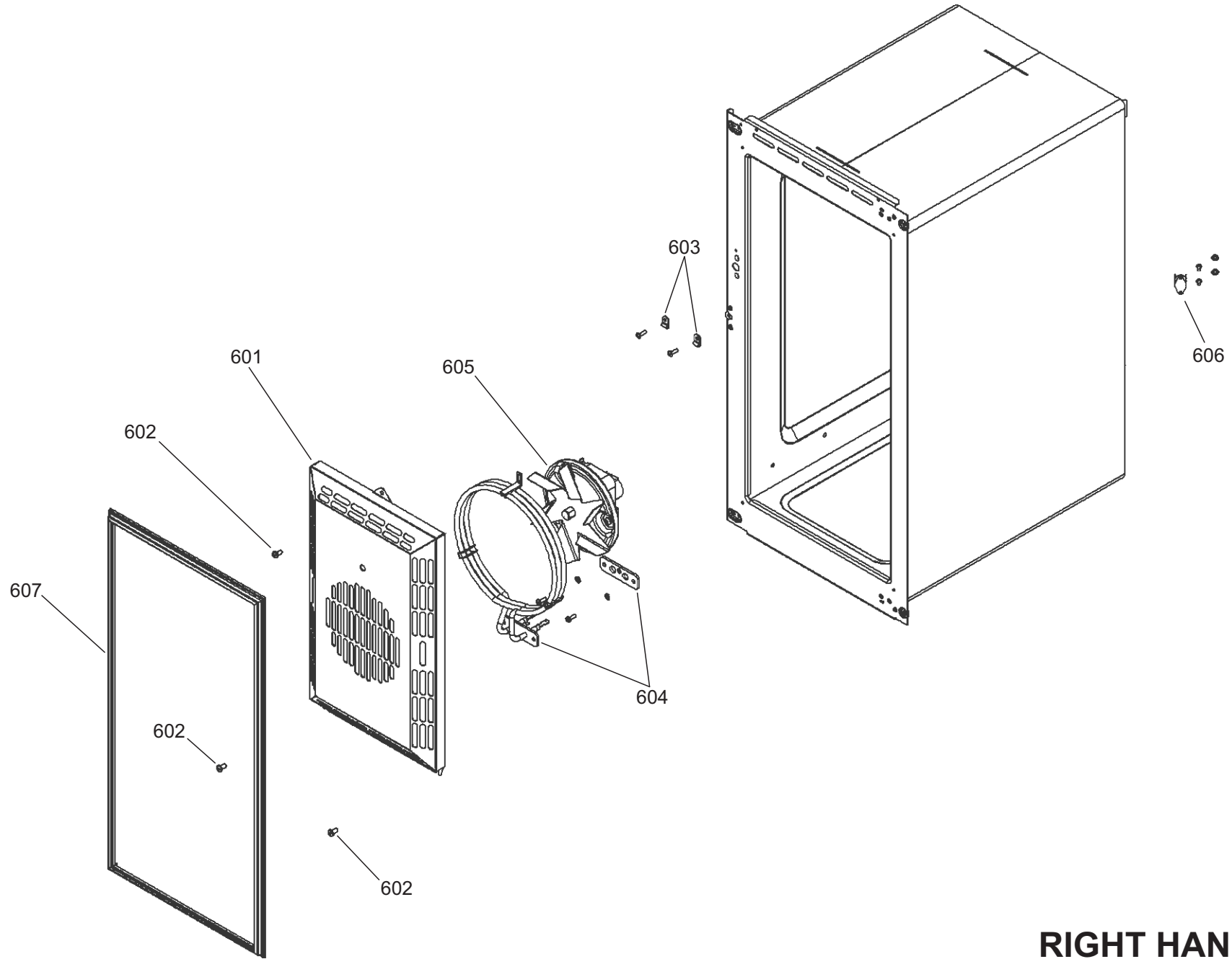


LEFT HAND OVEN (MULTI-FUNCTION & LIGHT)

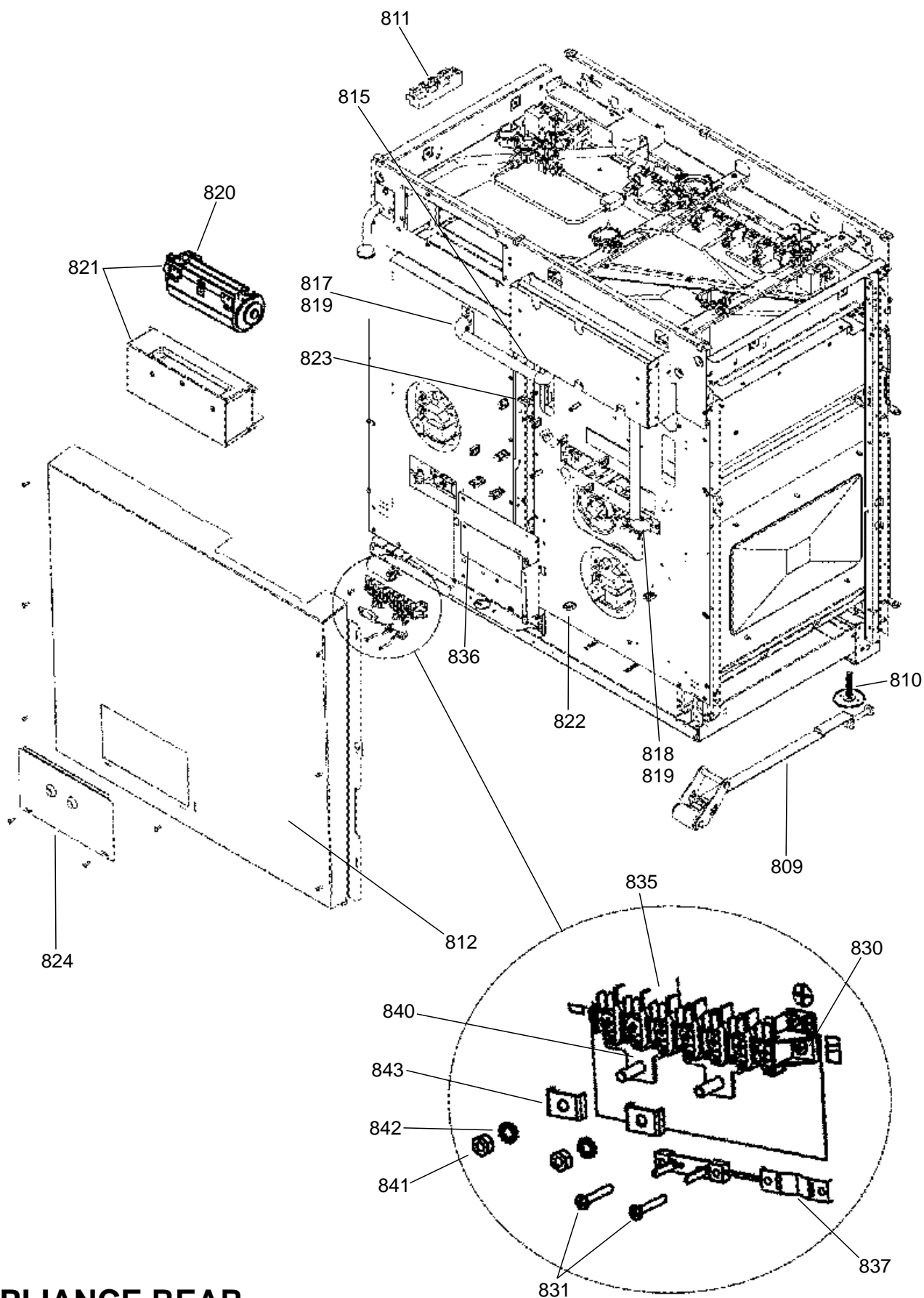
**FALCON / RANGEMASTER
NEXUS 90 DUAL FUEL**

DATE: 07.01.2019

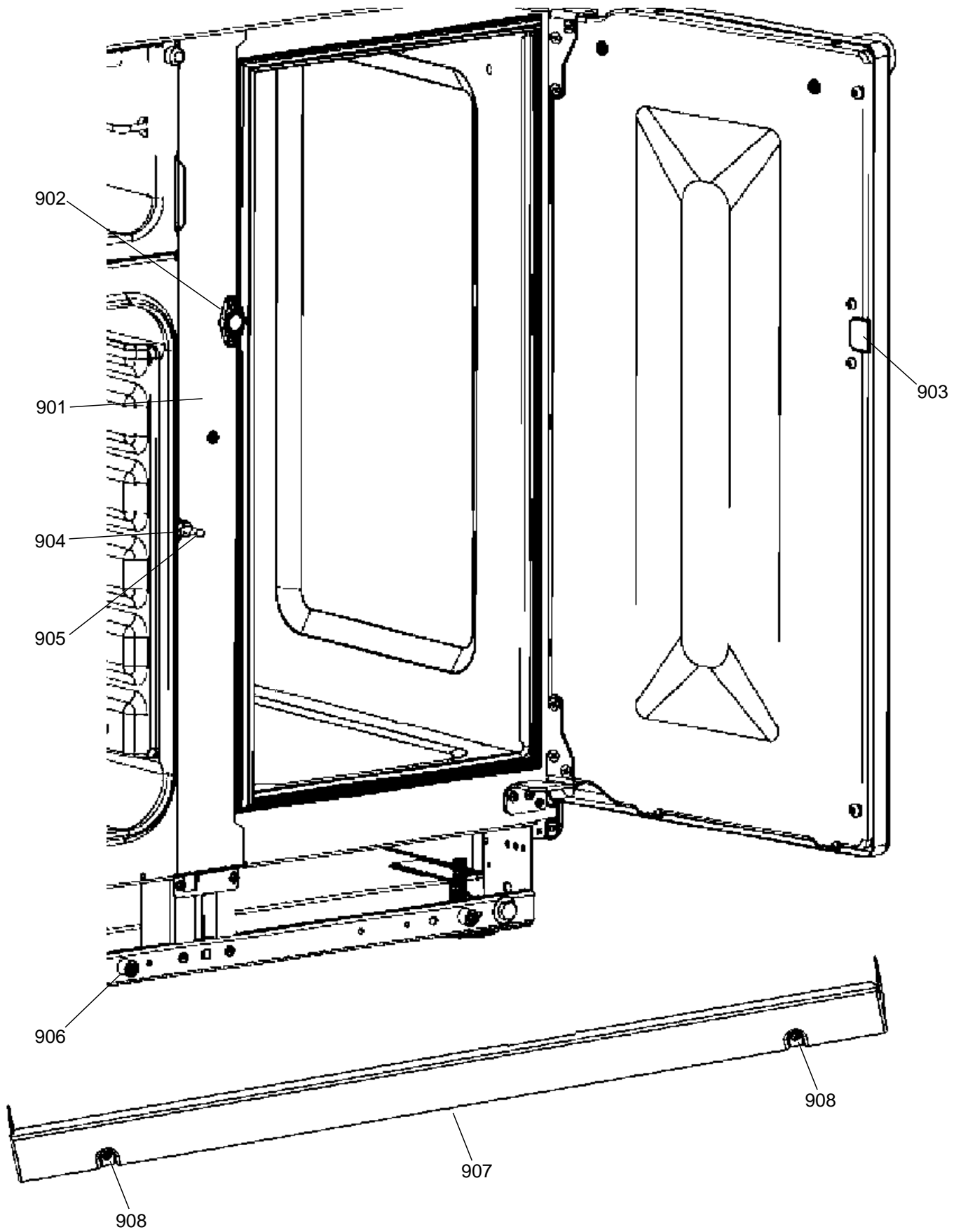
DSL0776 P06
ISSUE:01



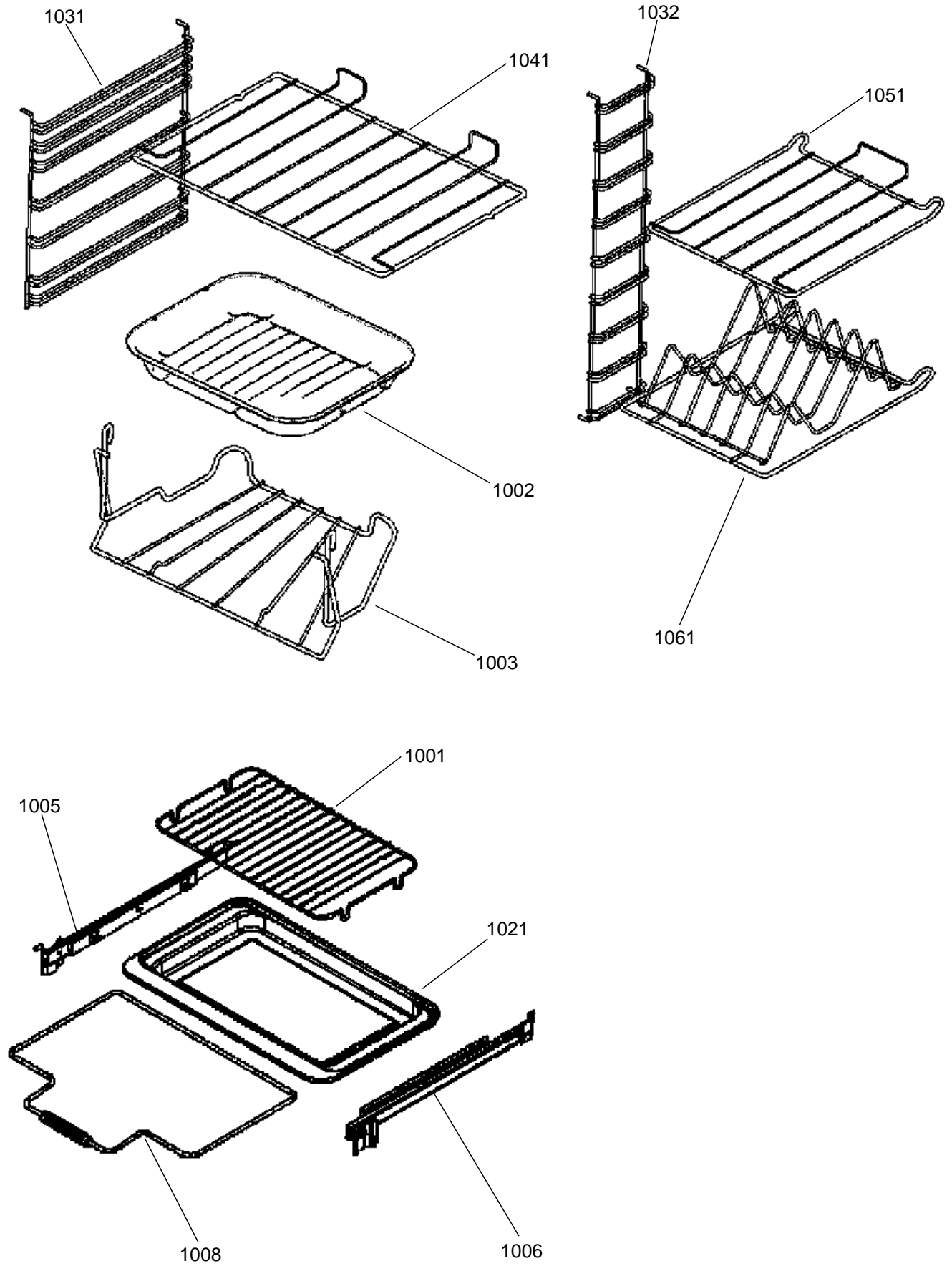
RIGHT HAND OVEN

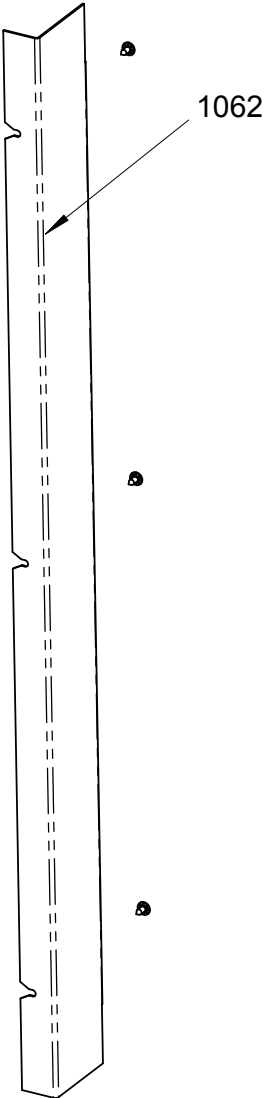


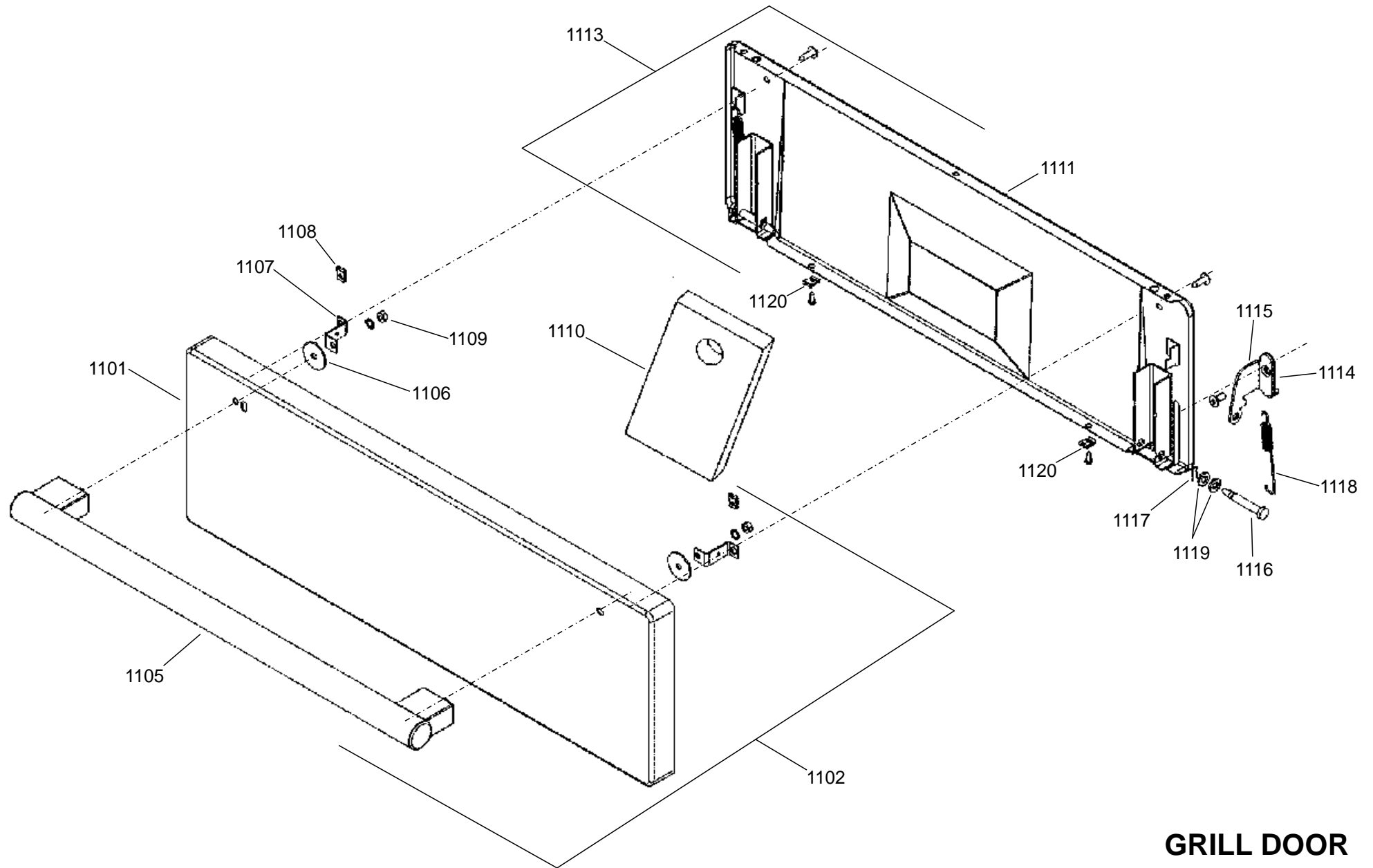
APPLIANCE REAR

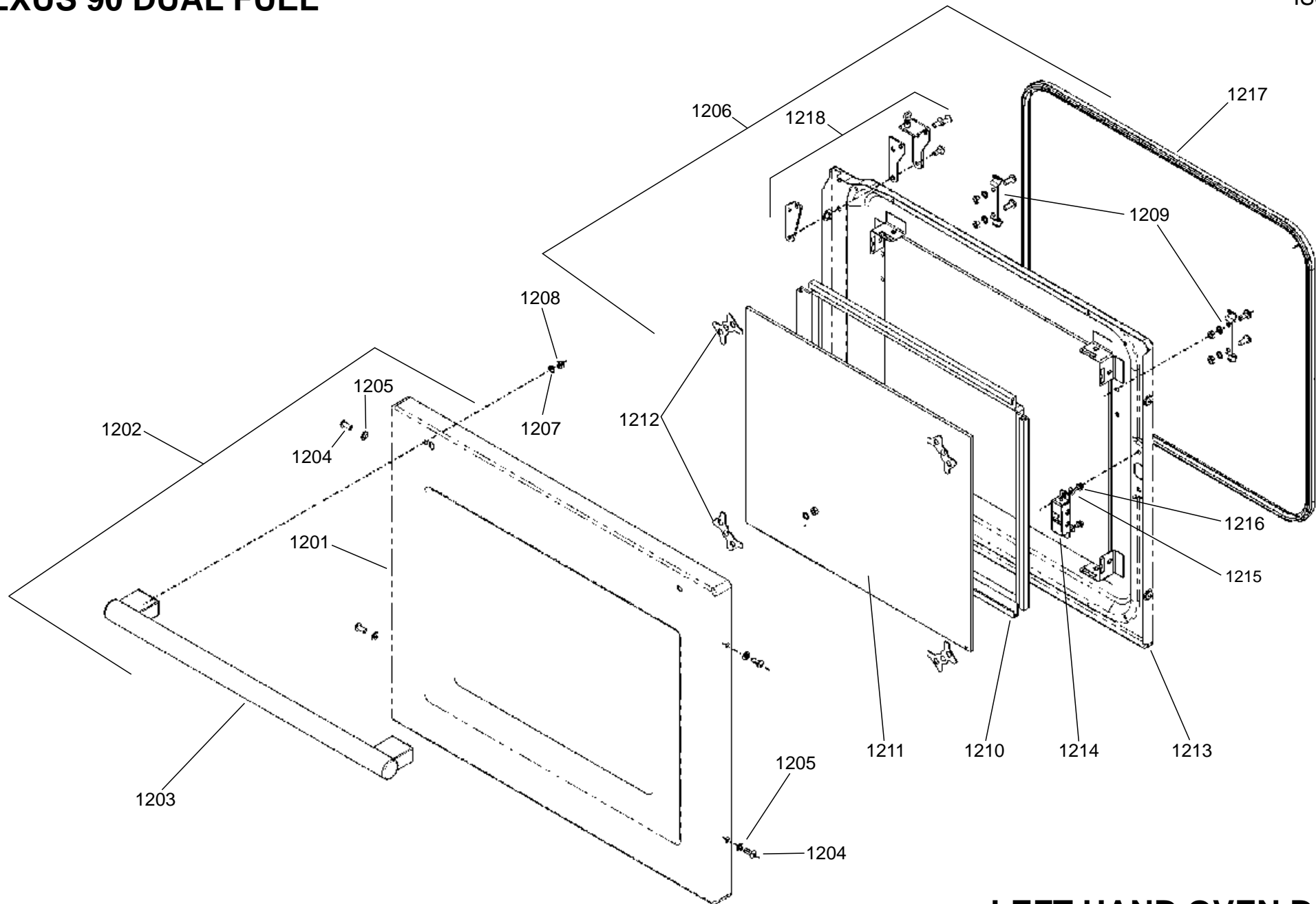


CHASSIS ASSEMBLY









LEFT HAND OVEN DOOR

