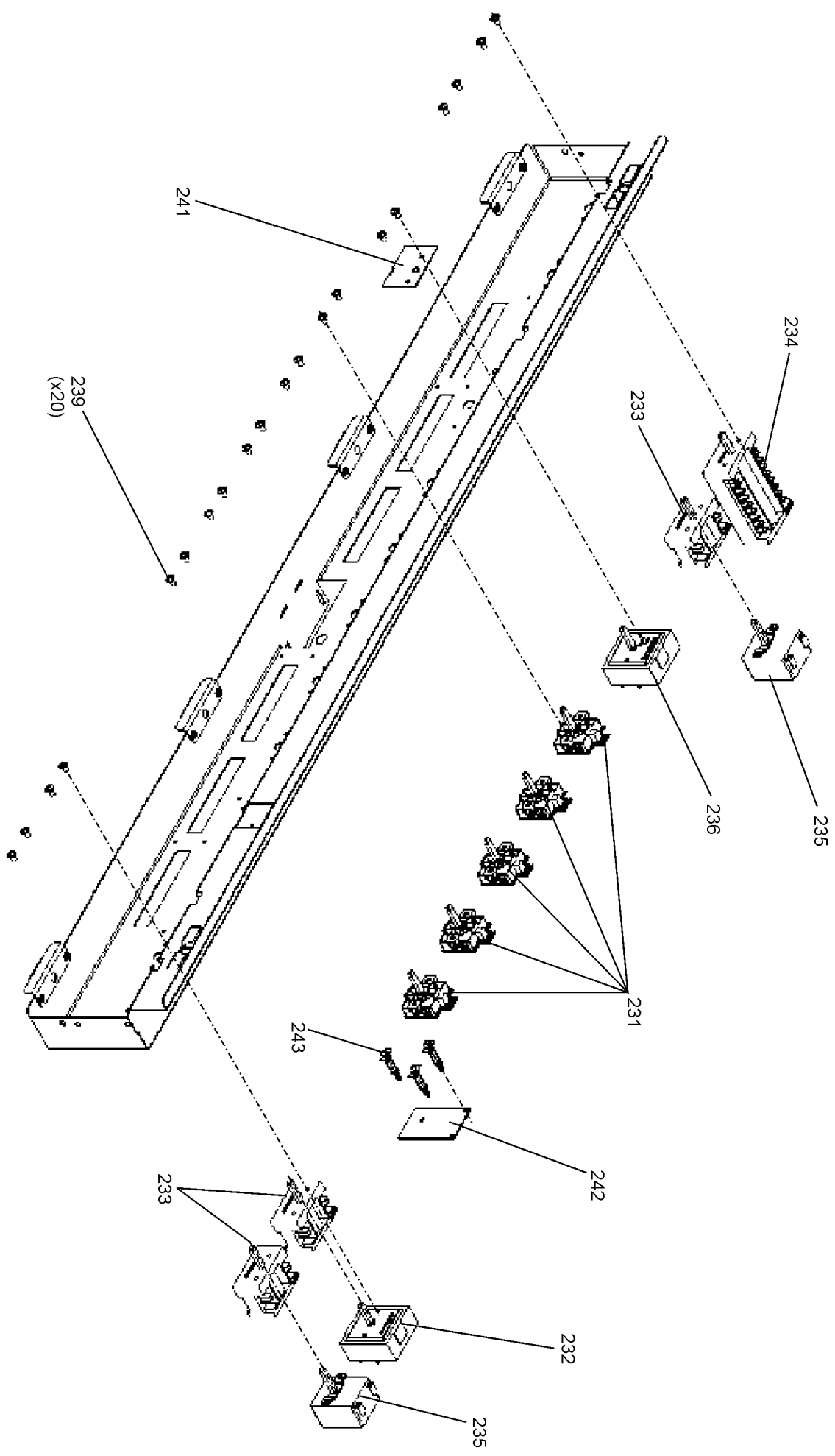


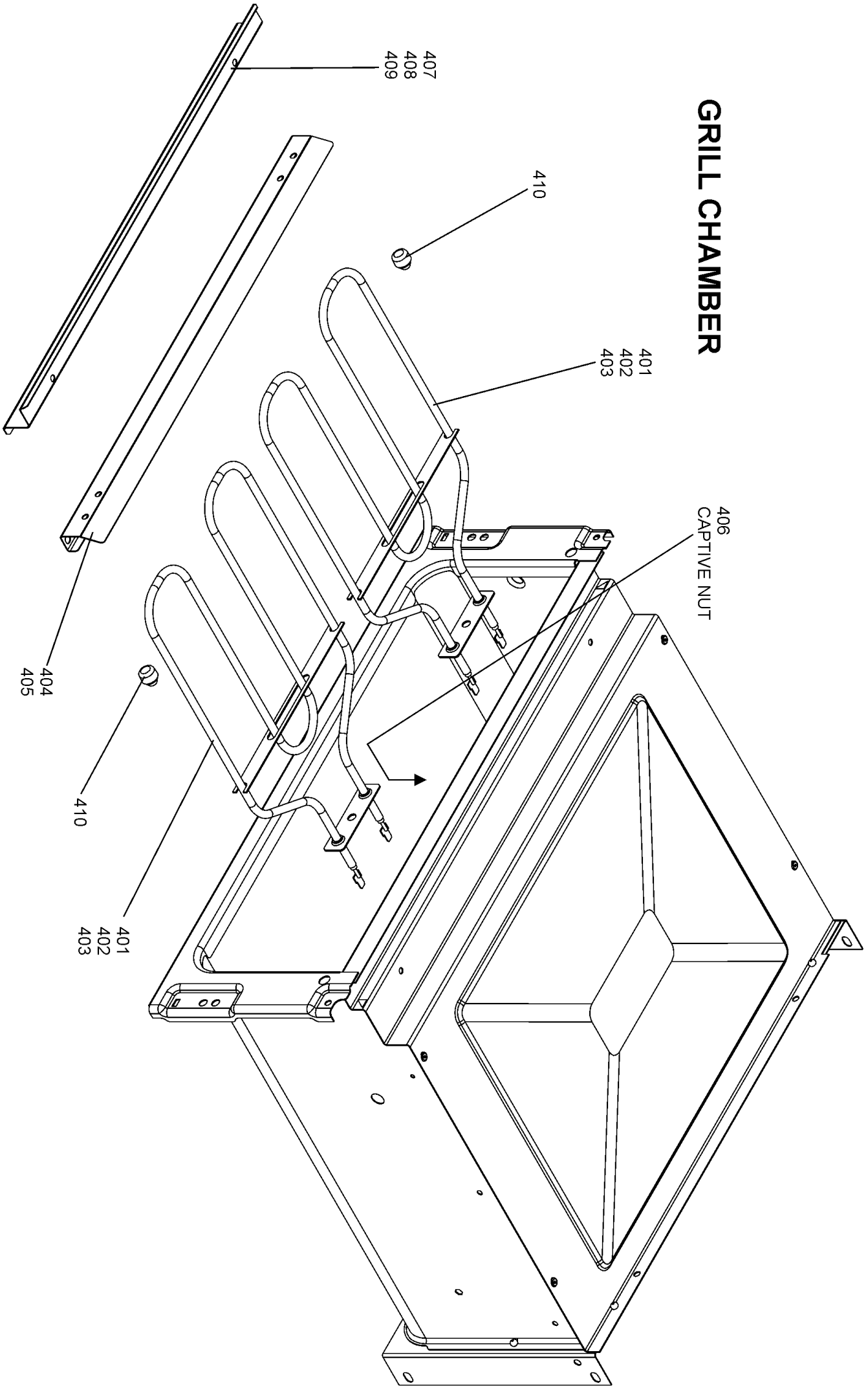
# NEXUS 110 INDUCTION

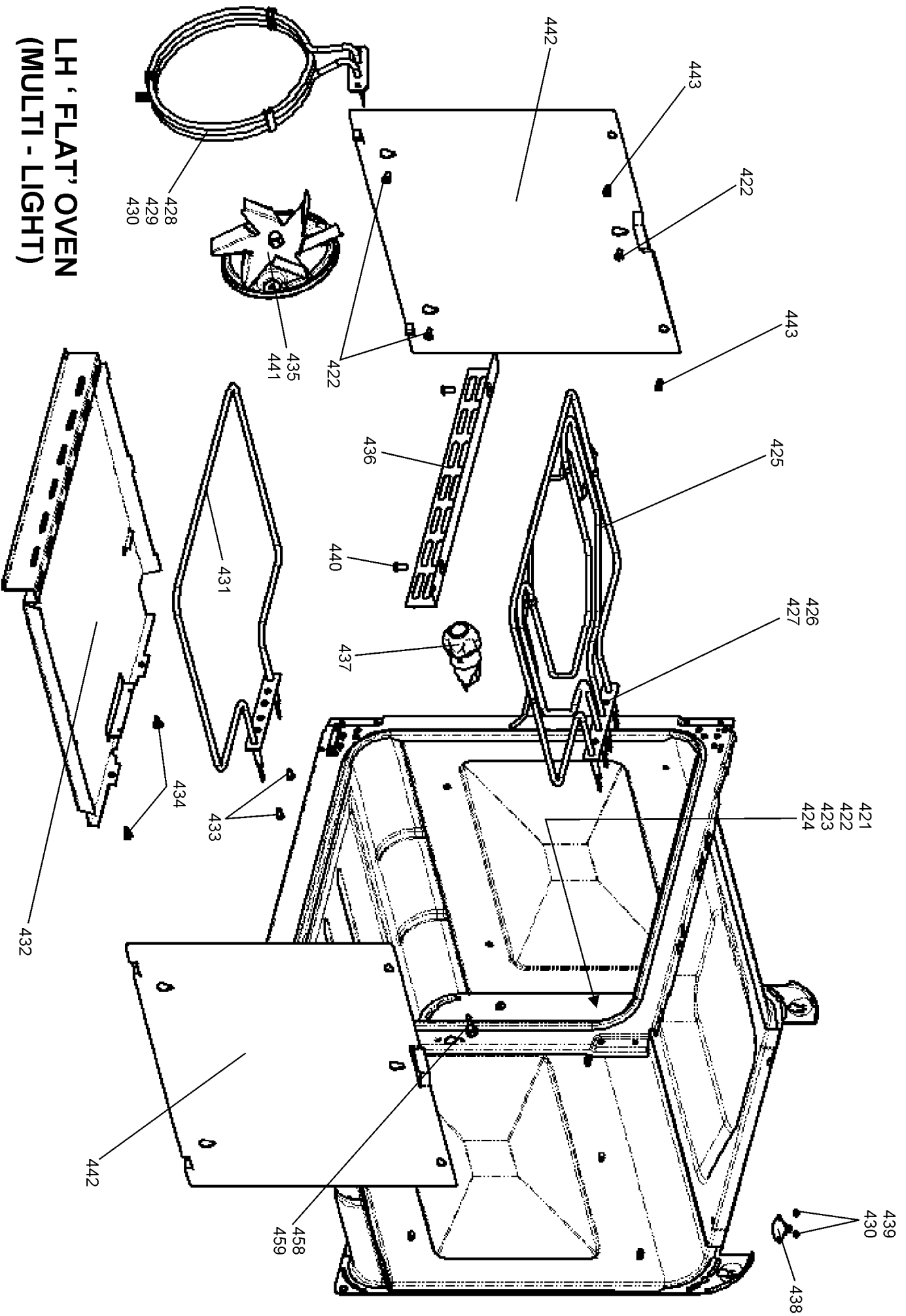
DATE 13.01.15

**DSL0596 P03**  
ISSUE STATUS 01



# GRILL CHAMBER





LH 'FLAT' OVEN  
(MULTI-LIGHT)

428  
429  
430

435  
441

422

436

440

437

431

434

433

432

442

458  
459

439  
430

438

442

443

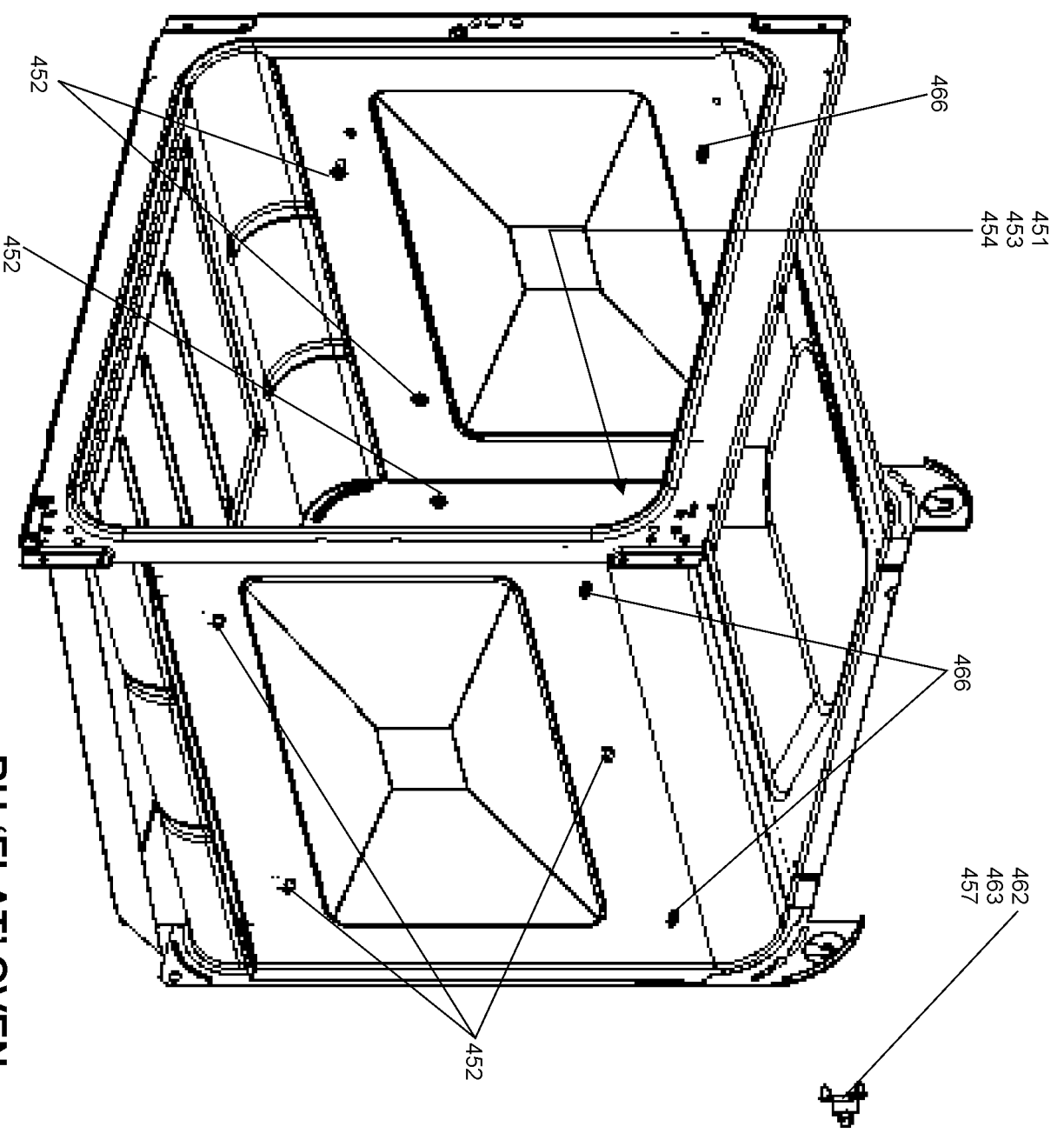
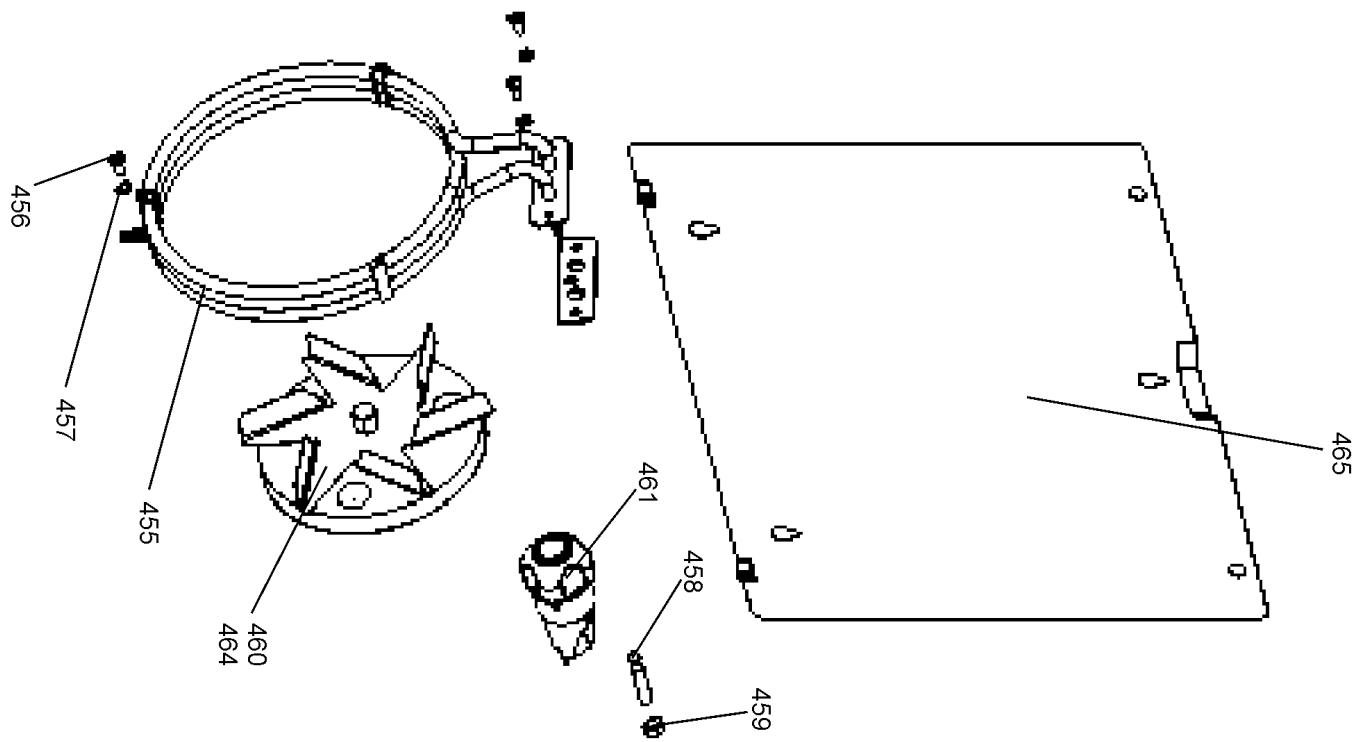
422

443

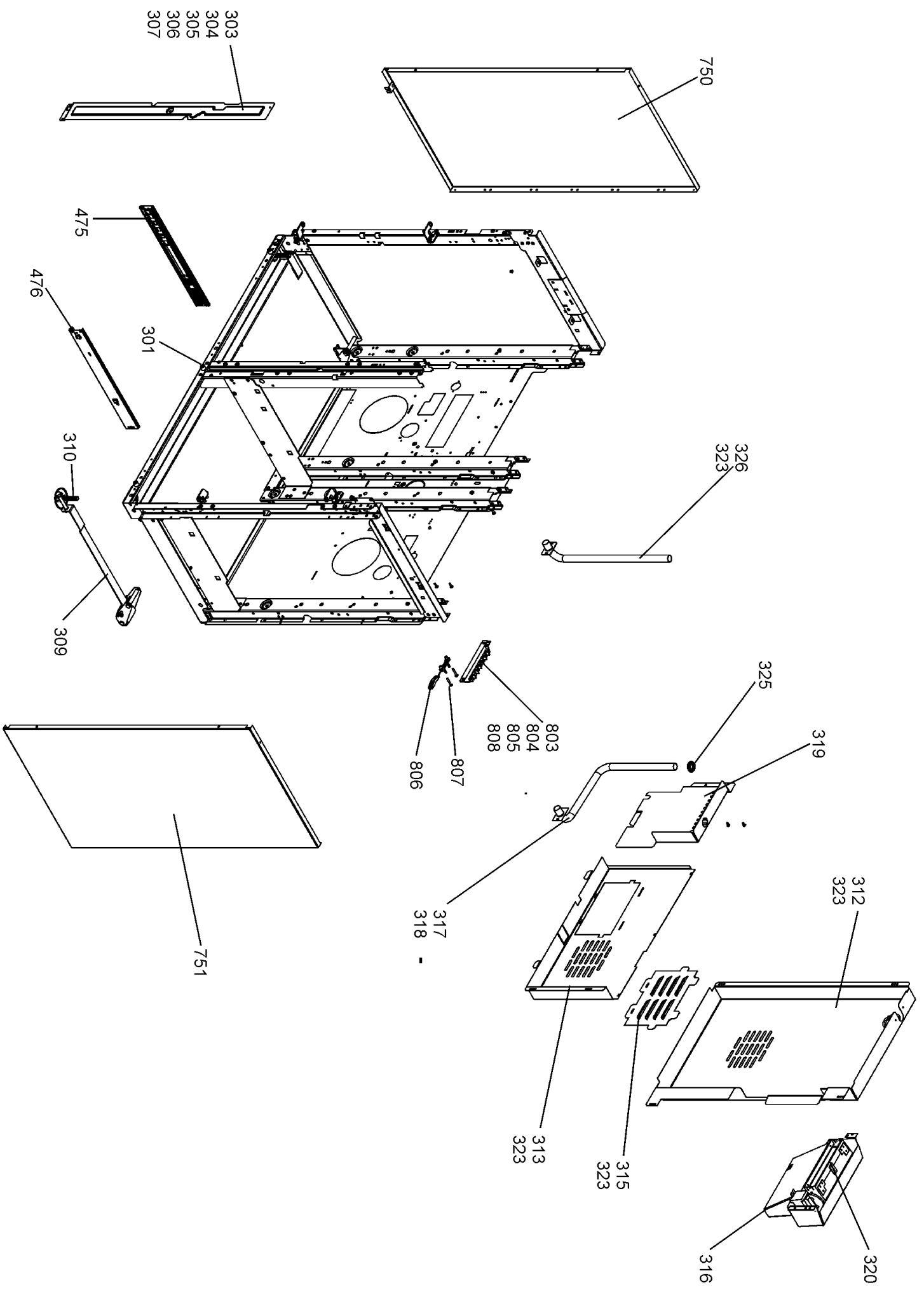
425

426  
427

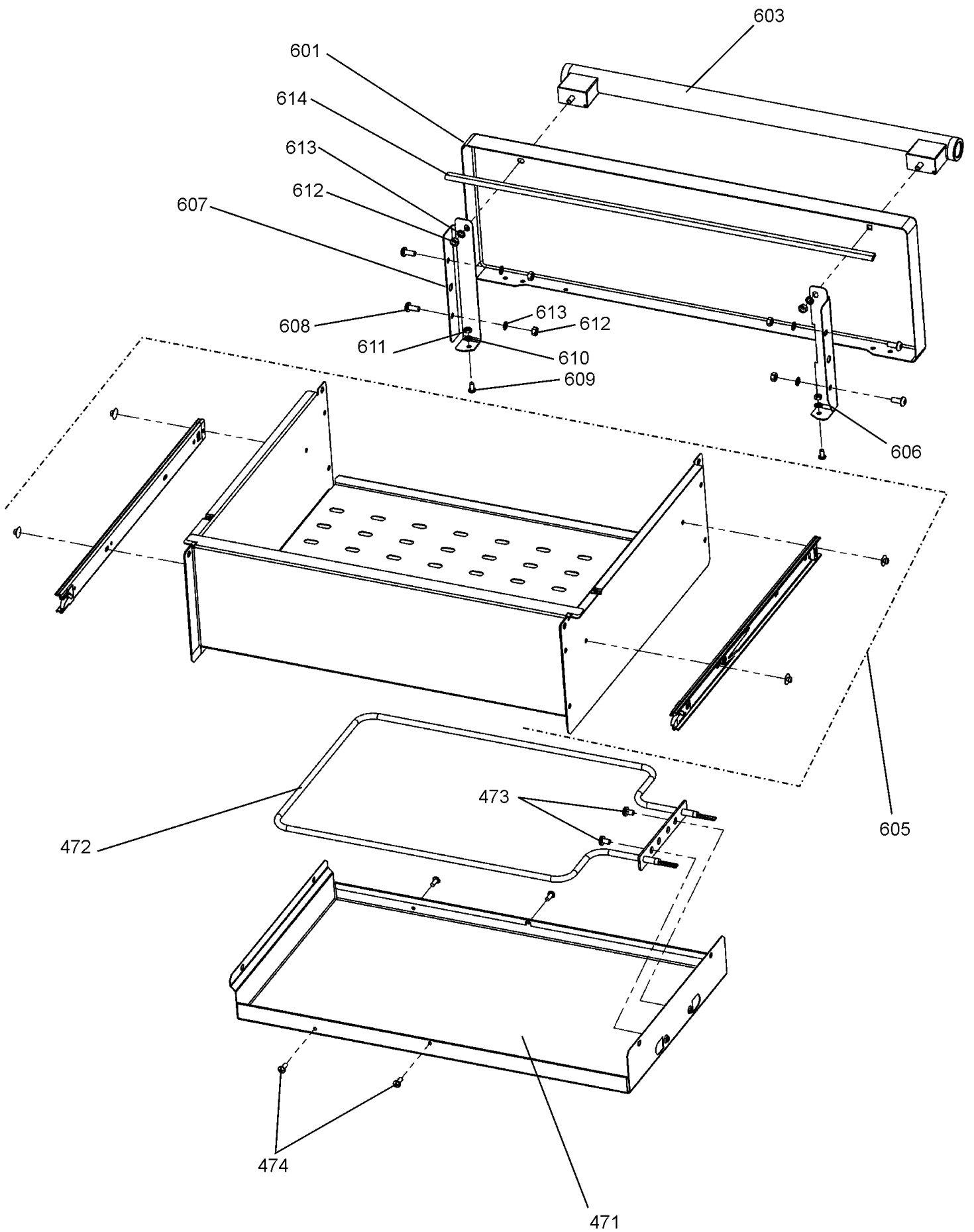
421  
422  
423  
424

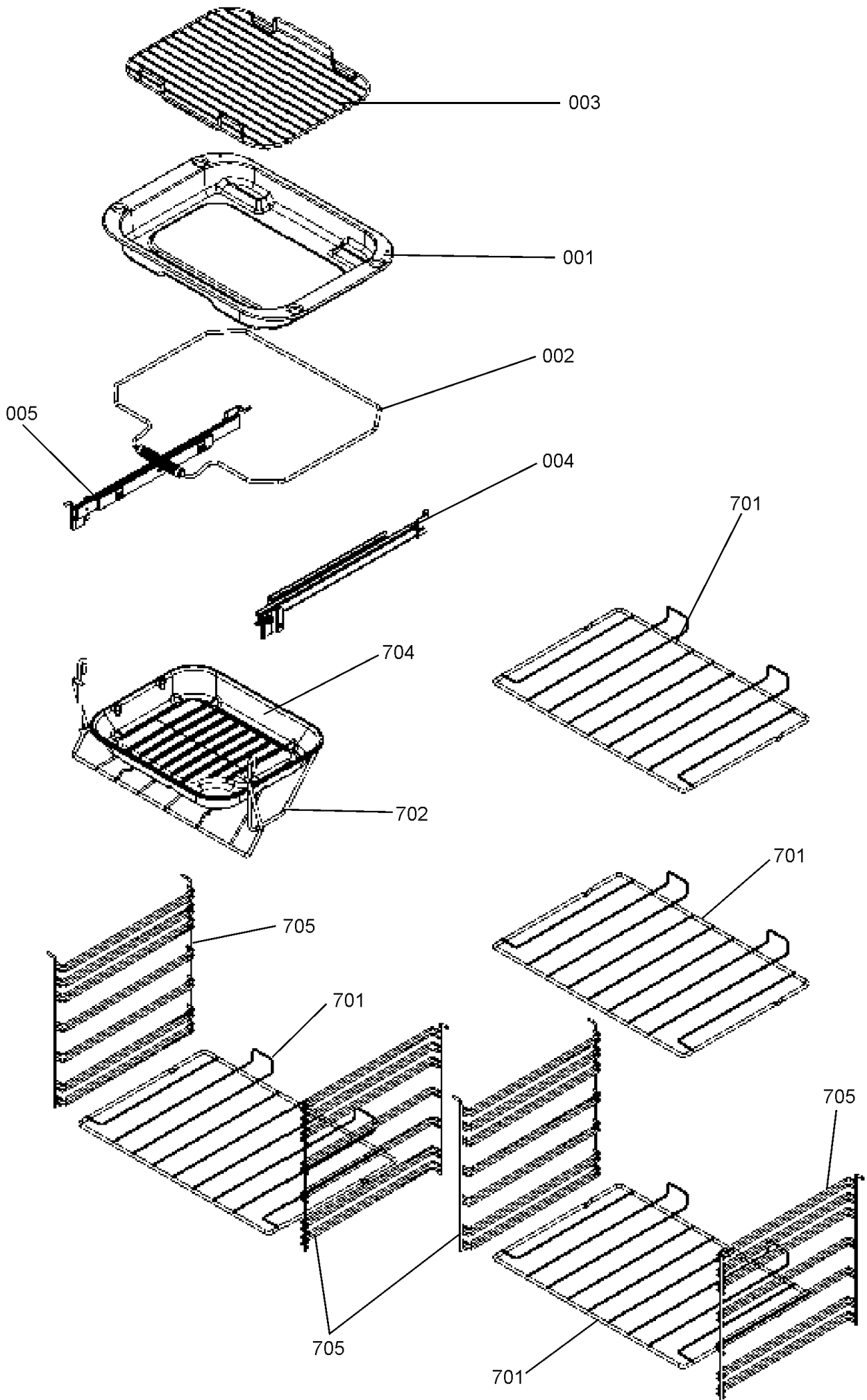


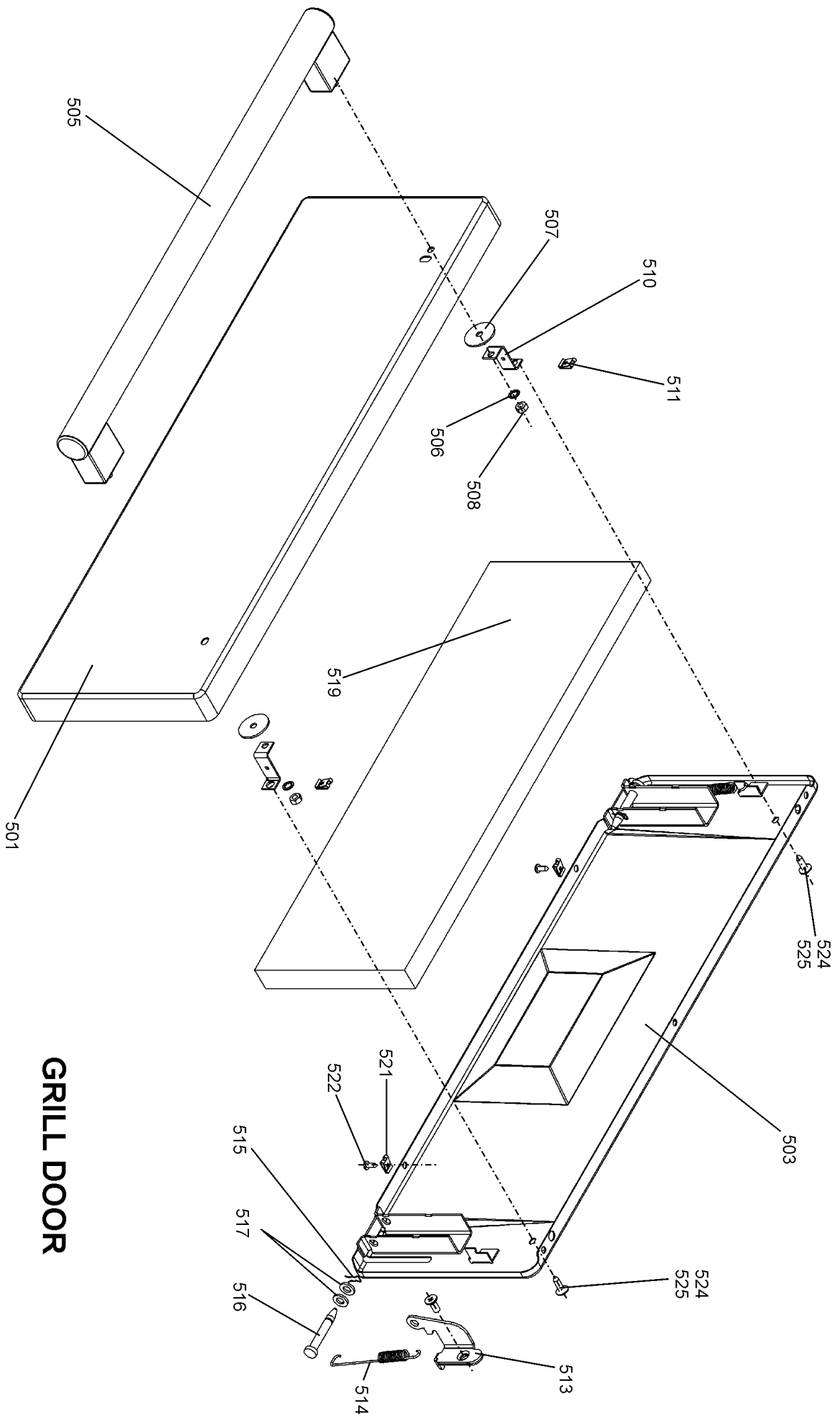
**RH 'FLAT' OVEN  
(FAN - LIGHT)**



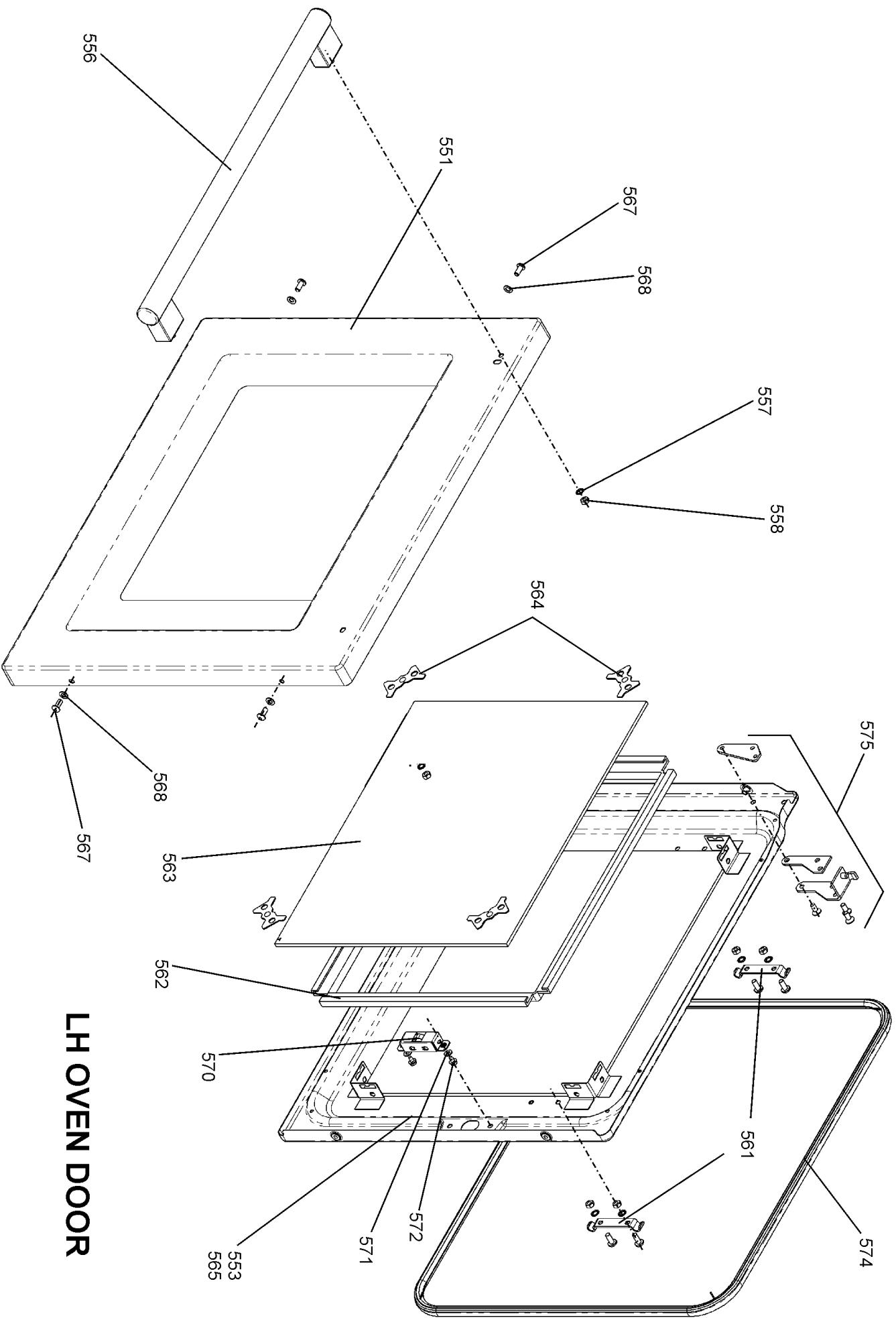




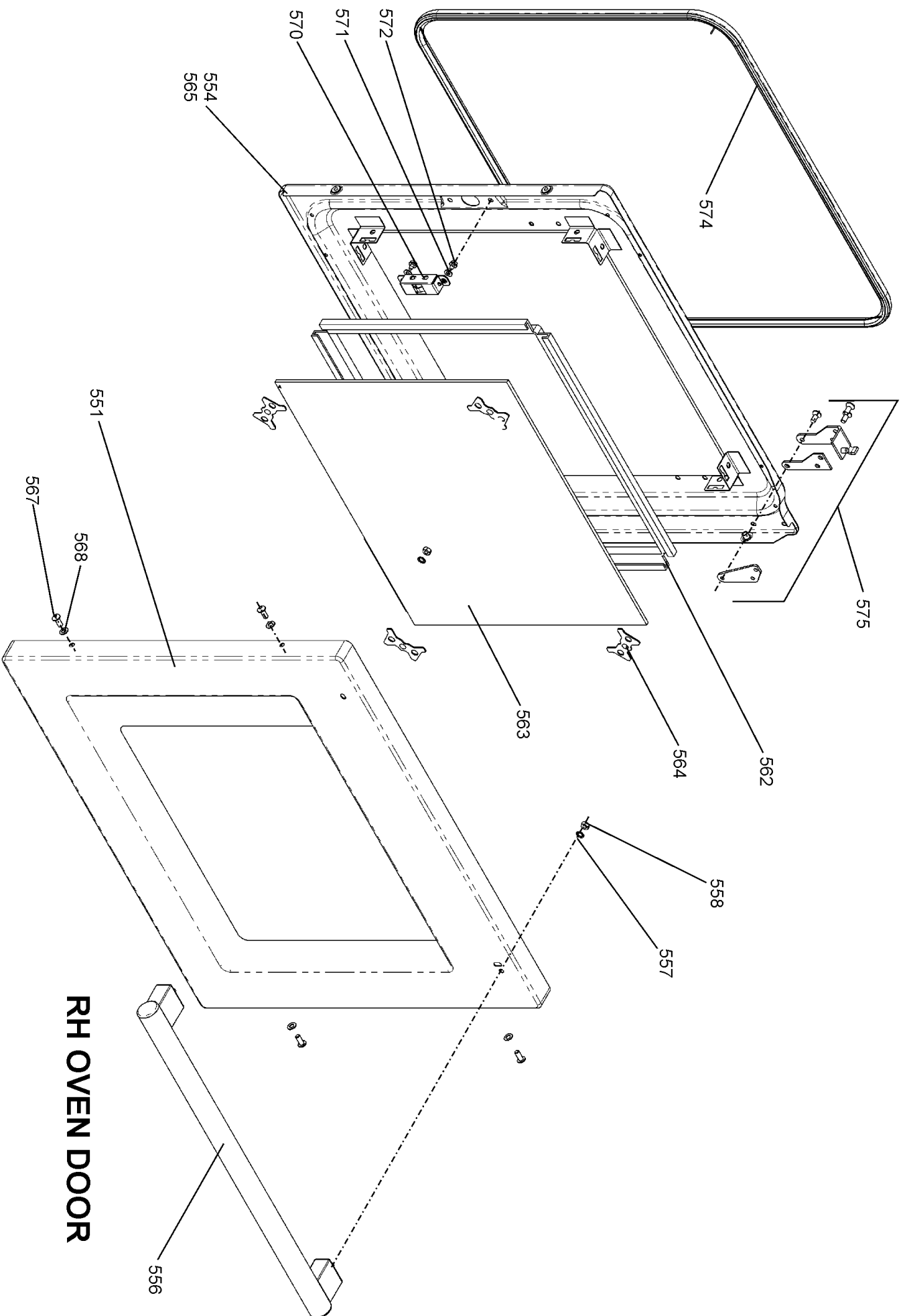


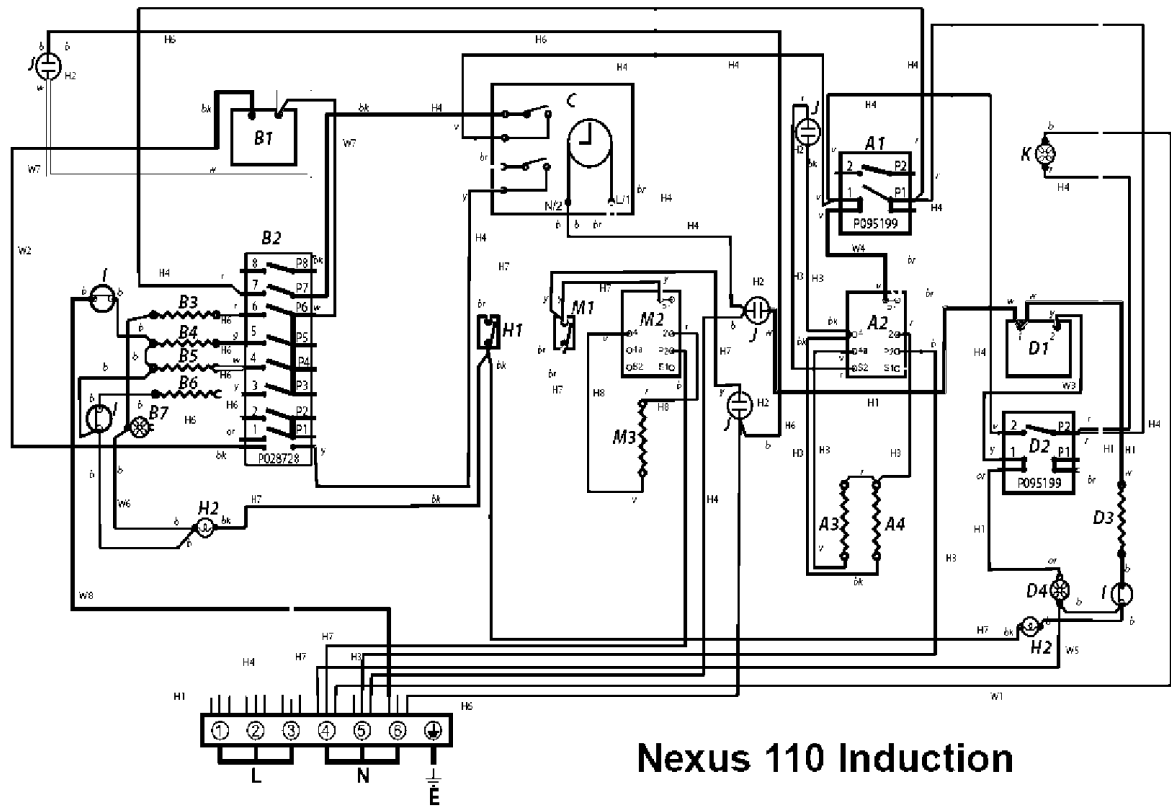


**GRILL DOOR**



LH OVEN DOOR





Ref No.	Part No.	Quantity	Remarks
H1	P062330	1	RH OVEN HARNESS
H2	P050565	4	NEON ASSEMBLY
H3	P062331	1	GRILL HARNESS
H4	P063161	1	TIMER AND COOLING HARNESS
H6	P063162	1	LH MULTI-FUNCTION HARNESS
H7	P062355	1	FACIA SWITCH HARNESS
H8	P062327	1	PROVING DRAW HARNESS
H9	P051839	1	INDUCTION HOB SUPPLY - HOB
H10	P052814	1	INDUCTION HOB SUPPLY - MAINS
W1	P062346	1	COOLING HARNESS
W2	P038186	1	WIRE M/F SW-TSTAT BLACK LINK
W3	P037863	1	WIRE ASSEMBLY
W4	P052828	1	COOLING SUPPLY LINK
W5	P050986	1	WIRE ASSEMBLY
W6	P026792	1	HARNESS-NEUTRAL-LH OVEN-FAN ELEMENT
W7	P095565	1	WIRE ASSEMBLY
W8	P033073	1	RH THERMOSTAT CUT OUT - NEUTRAL

Code	Colour
<i>b</i>	Blue
<i>br</i>	Brown
<i>bk</i>	Black
<i>or</i>	Orange
<i>r</i>	Red
<i>v</i>	Violet
<i>w</i>	White
<i>y</i>	Yellow
<i>g/y</i>	Green/yellow
<i>gr</i>	Grey

Code	Description
A1	Grill front switch
A2	Grill energy regulator
A3	Grill element left-hand side
A4	Grill element right-hand side
B1	Left-hand multi-function oven thermostat
B2	Left-hand multi-function oven control
B3	Left-hand multi-function oven base element
B4	Left-hand multi-function oven top element (outer pair)
B5	Left-hand multi-function oven browning element (inner pair)
B6	Left-hand multi-function oven fan element
B7	Left-hand multi-function oven fan
C	Clock
D1	Right-hand fan oven thermostat

Code	Description
D2	Right-hand fan oven control
D3	Right-hand fan oven element
D4	Right-hand fan oven fan
F1	Ignition switches
F2	Ignition spark generator
G1	Ceramic hob energy regulator
G2	Rear Ceramic hob element
G3	Front Ceramic hob element
H1	Oven light switch
H2	Oven light
<i>i</i>	Thermal cut-out
J	Neon
K	Cooling fan
M1	Proving draw switch
M2	Proving draw energy regulator
M3	Proving draw element