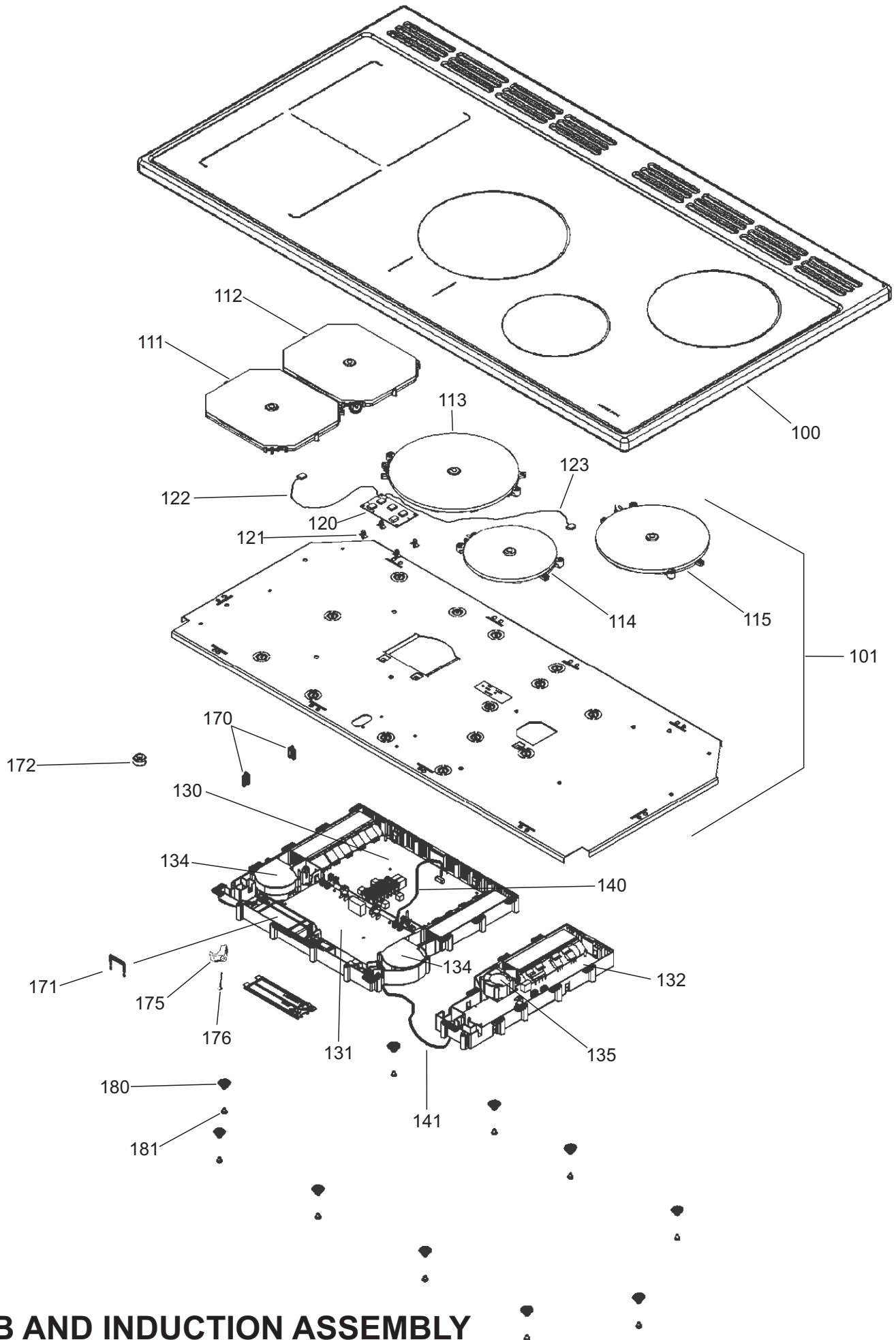
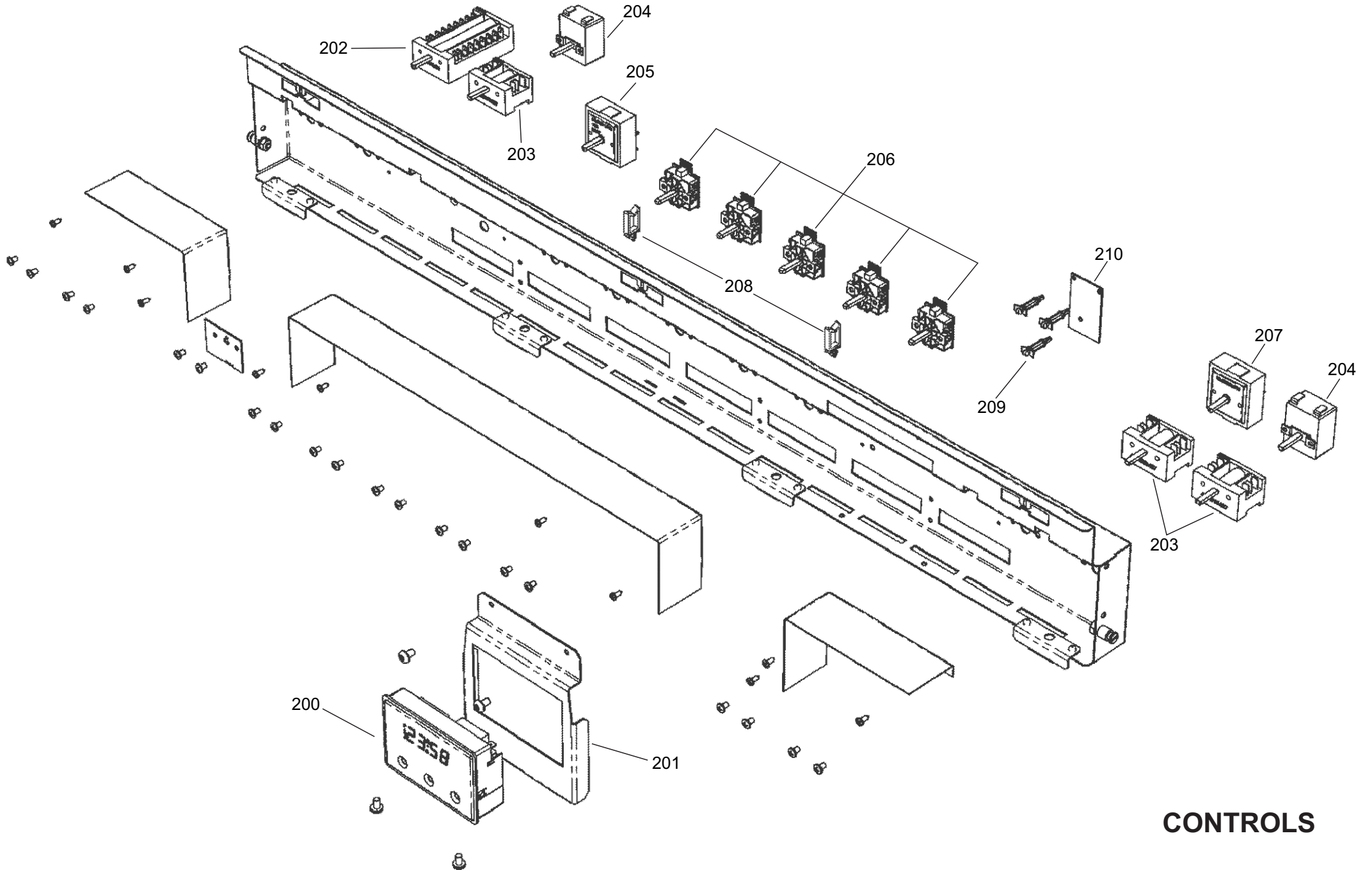




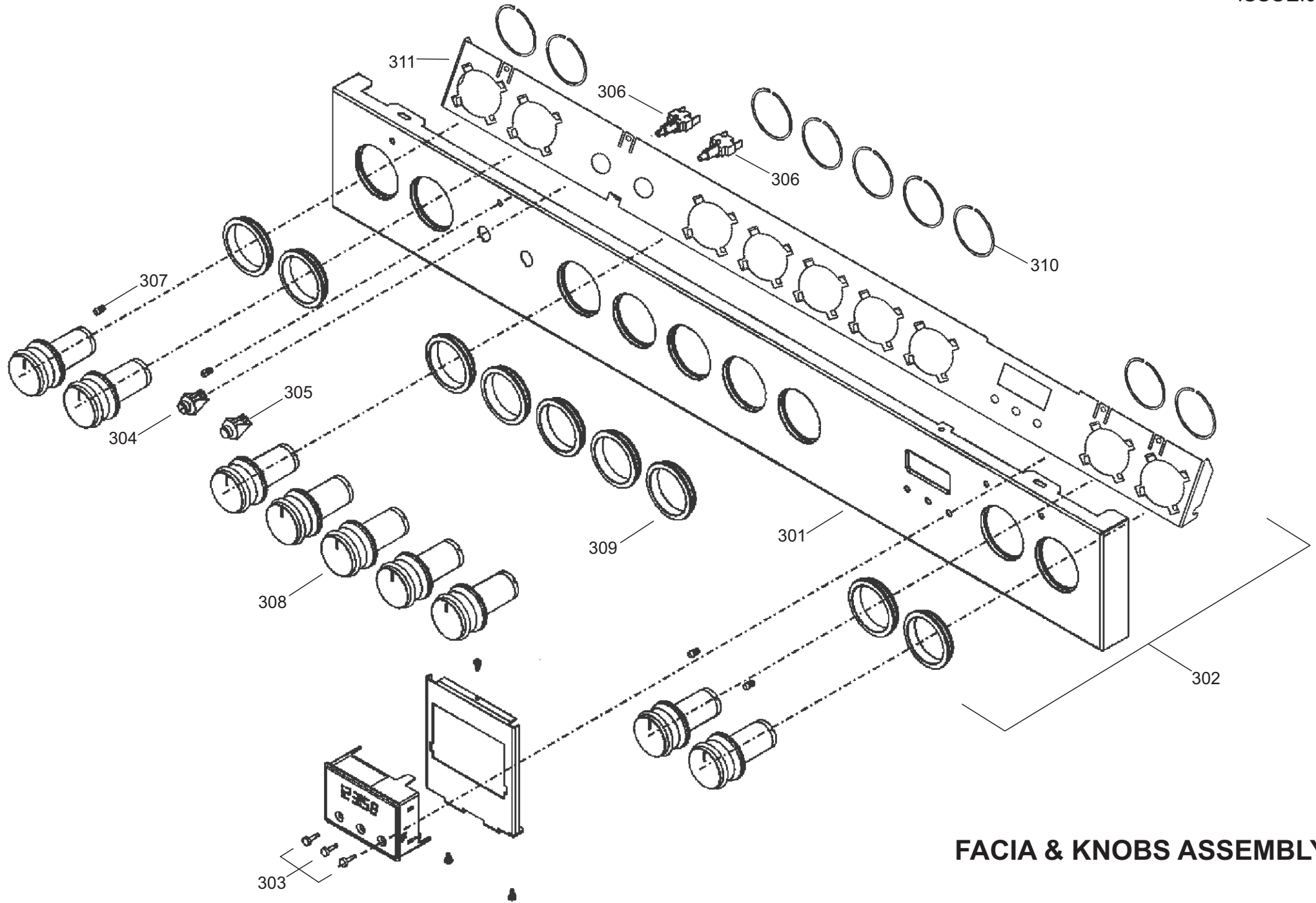
OVERALL APPLIANCE



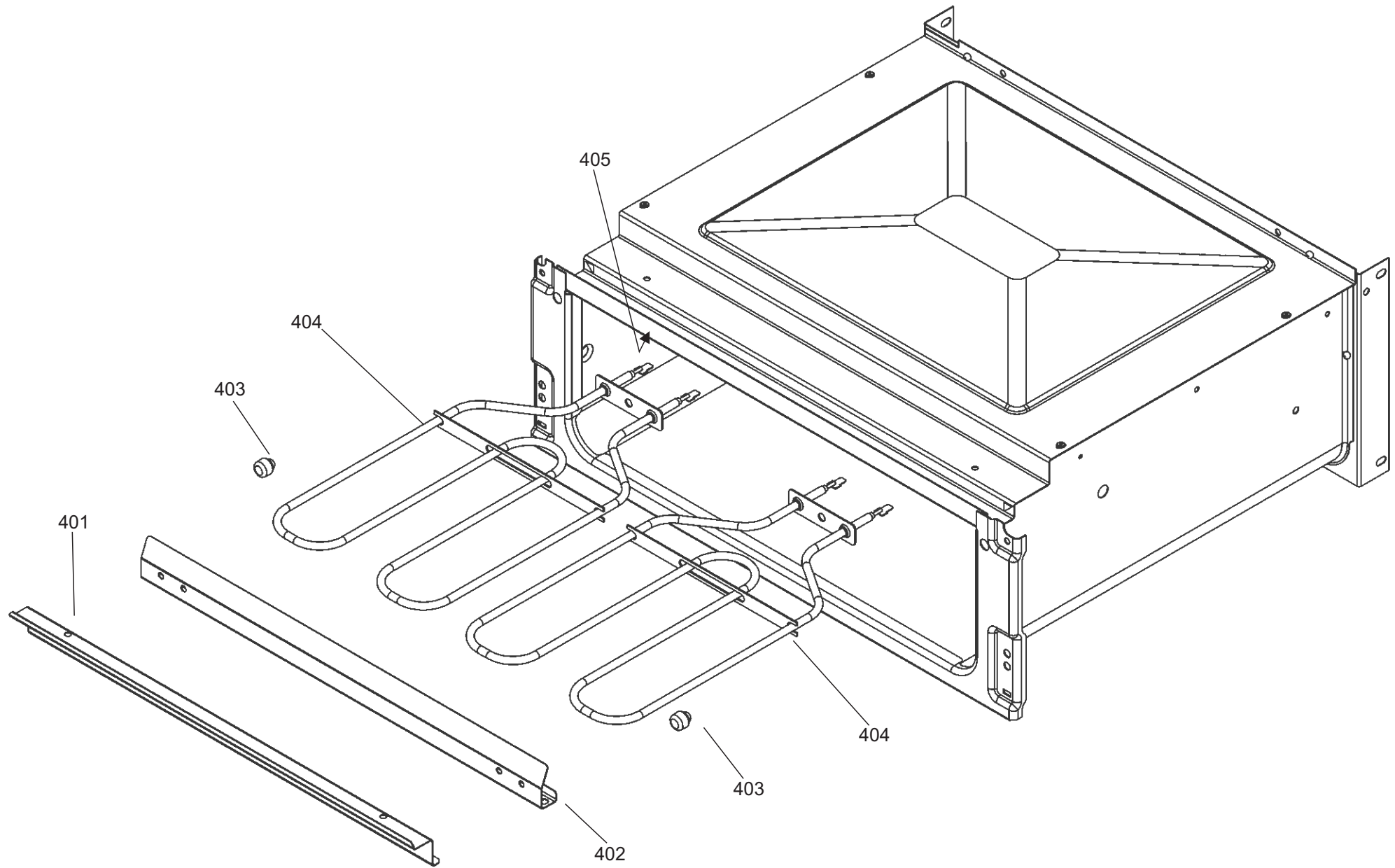
HOB AND INDUCTION ASSEMBLY



CONTROLS



FACIA & KNOBS ASSEMBLY



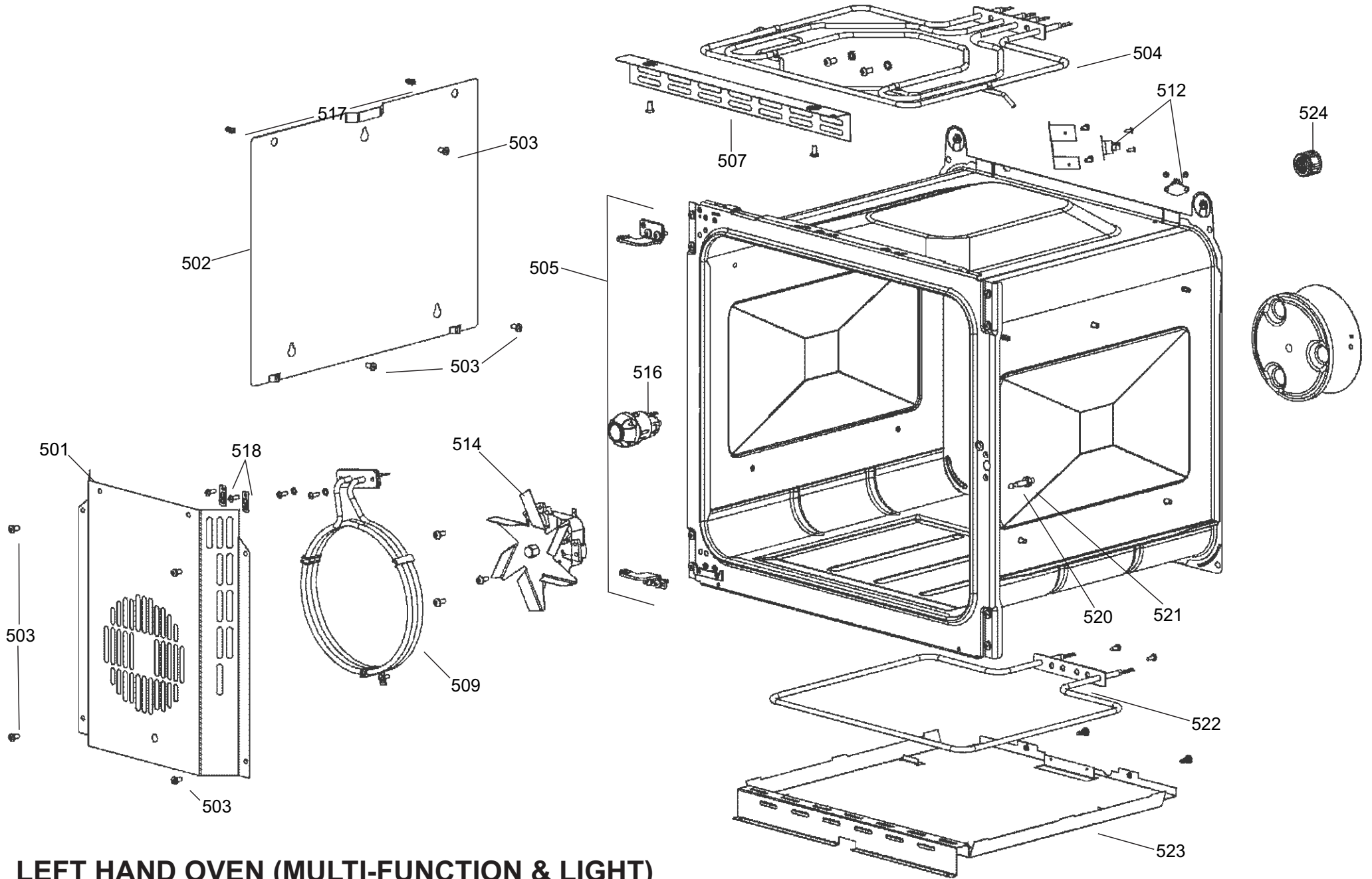
GRILL CHAMBER

**FALCON / RANGEMASTER
NEXUS 110 INDUCTION**

DATE: 30.11.2018

DSL0750 P05

ISSUE:01

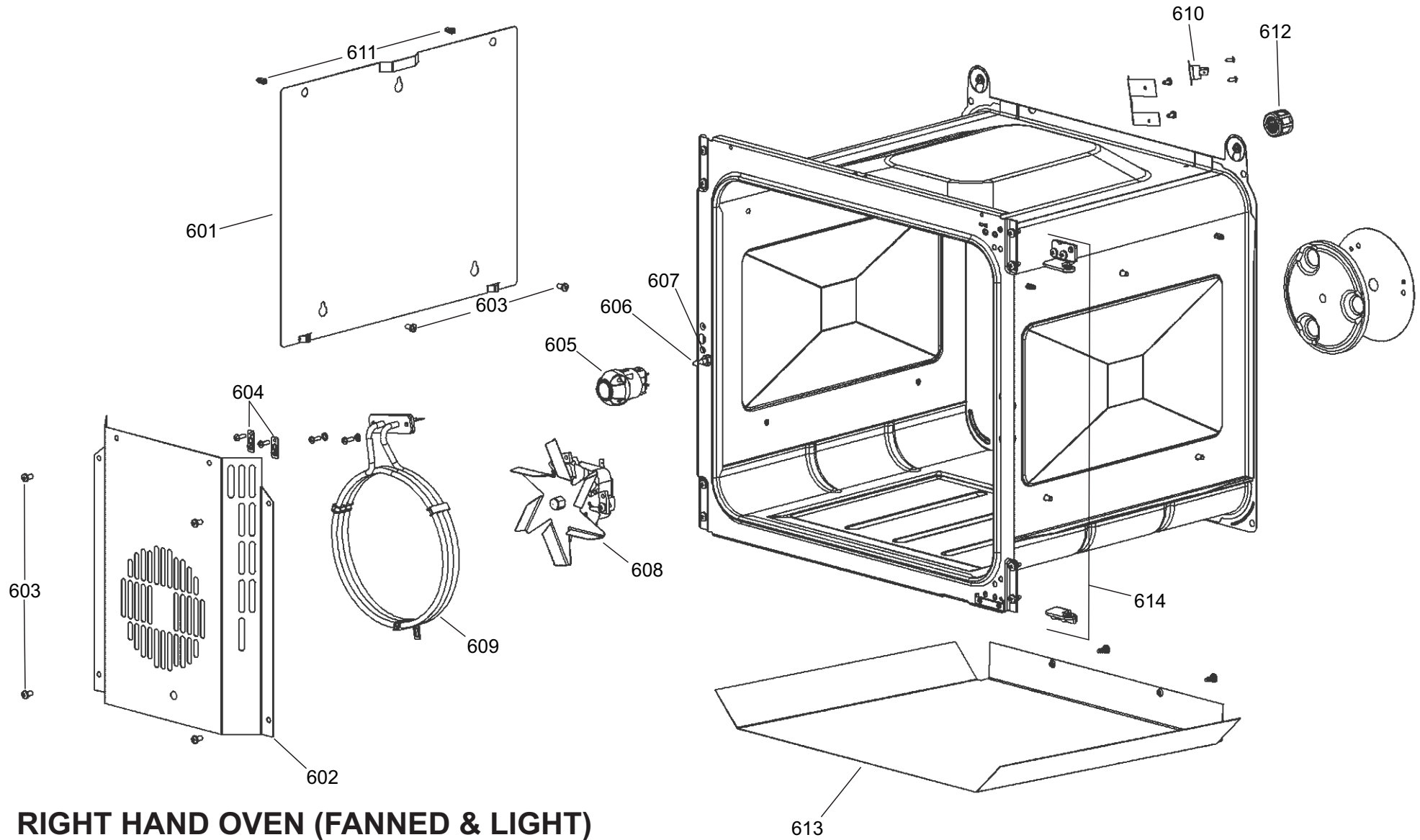


LEFT HAND OVEN (MULTI-FUNCTION & LIGHT)

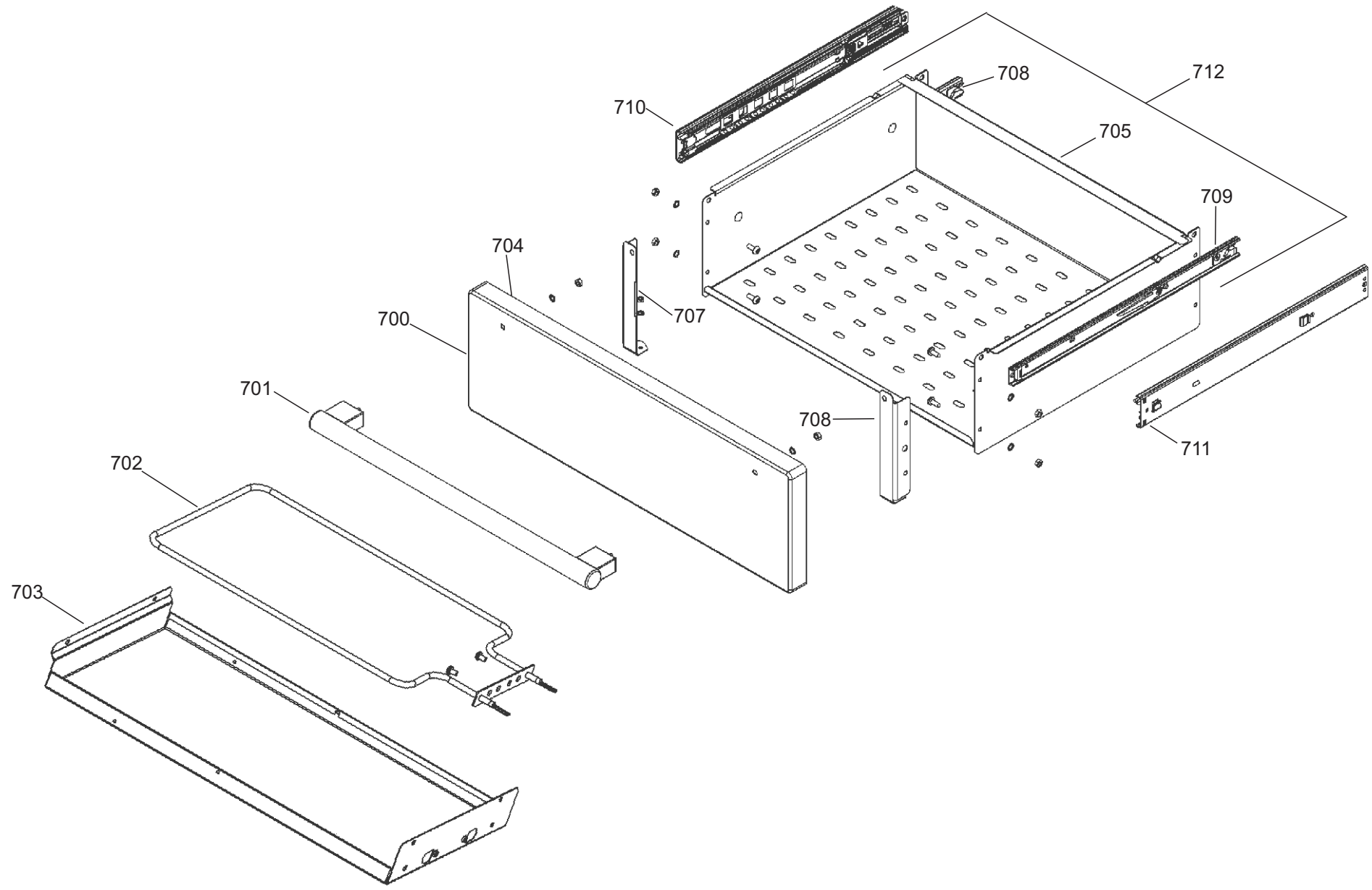
**FALCON / RANGEMASTER
NEXUS 110 INDUCTION**

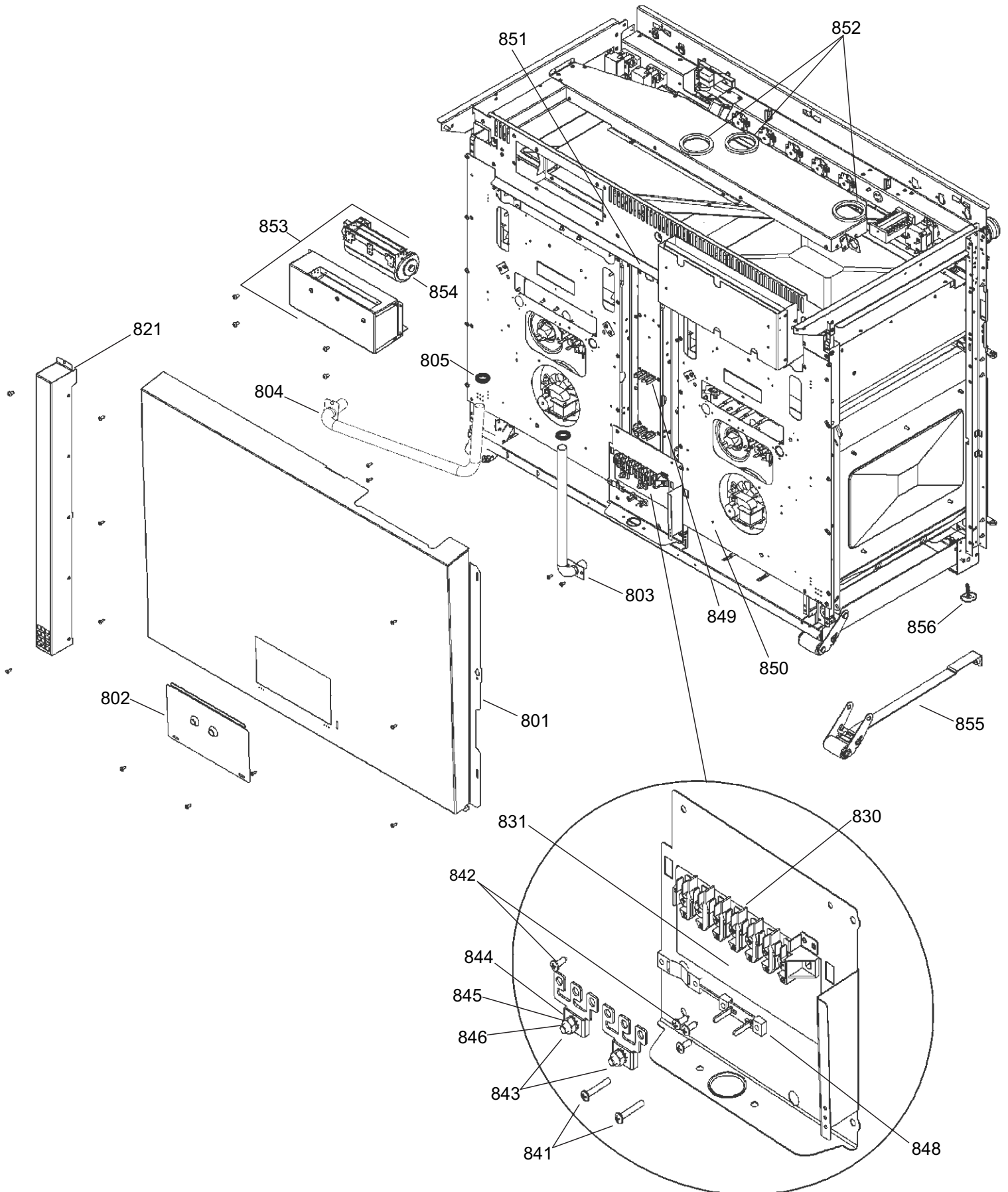
DATE: 30.11.18

DSL0750 P06
ISSUE: 01

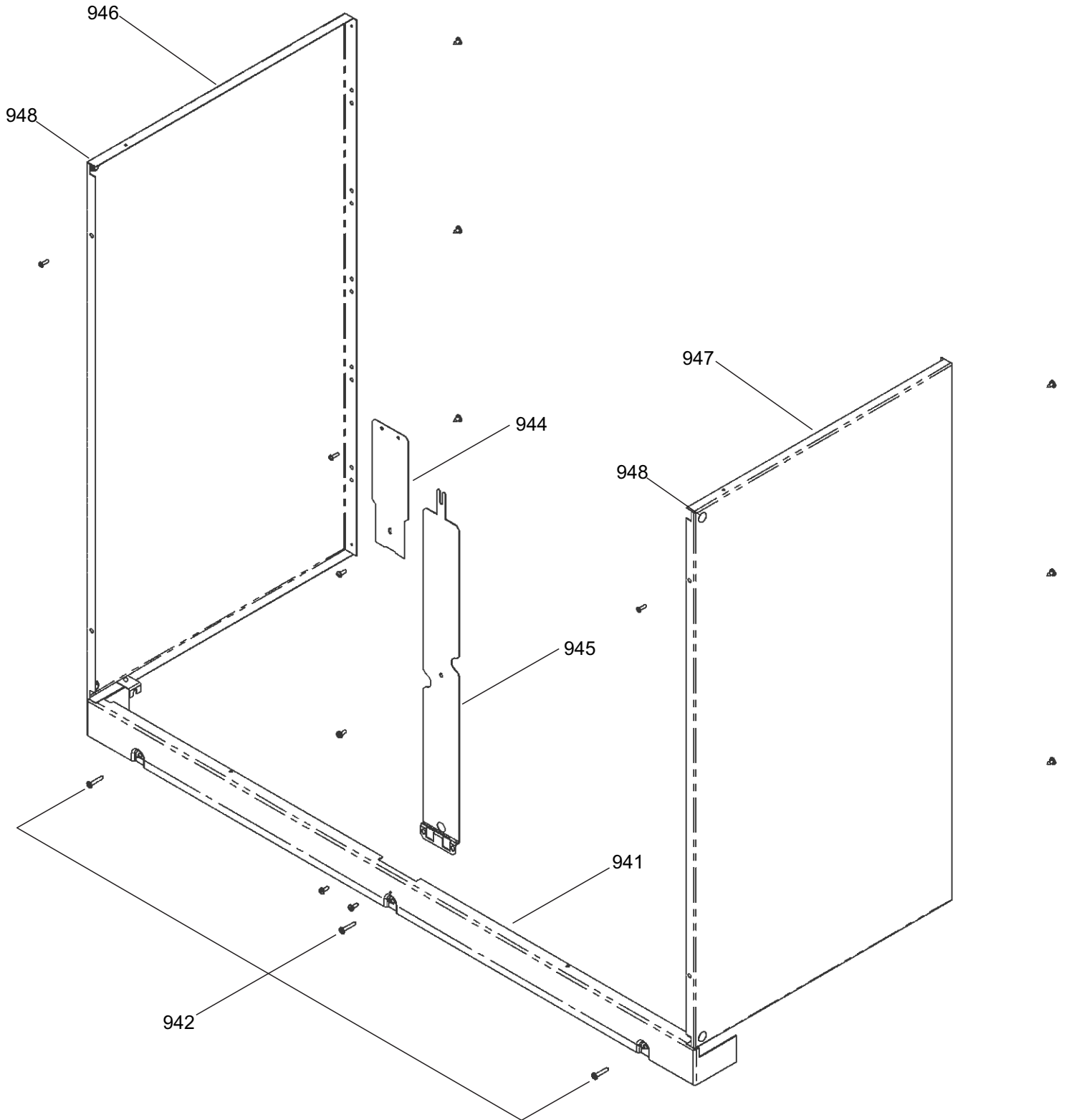


RIGHT HAND OVEN (FANNED & LIGHT)

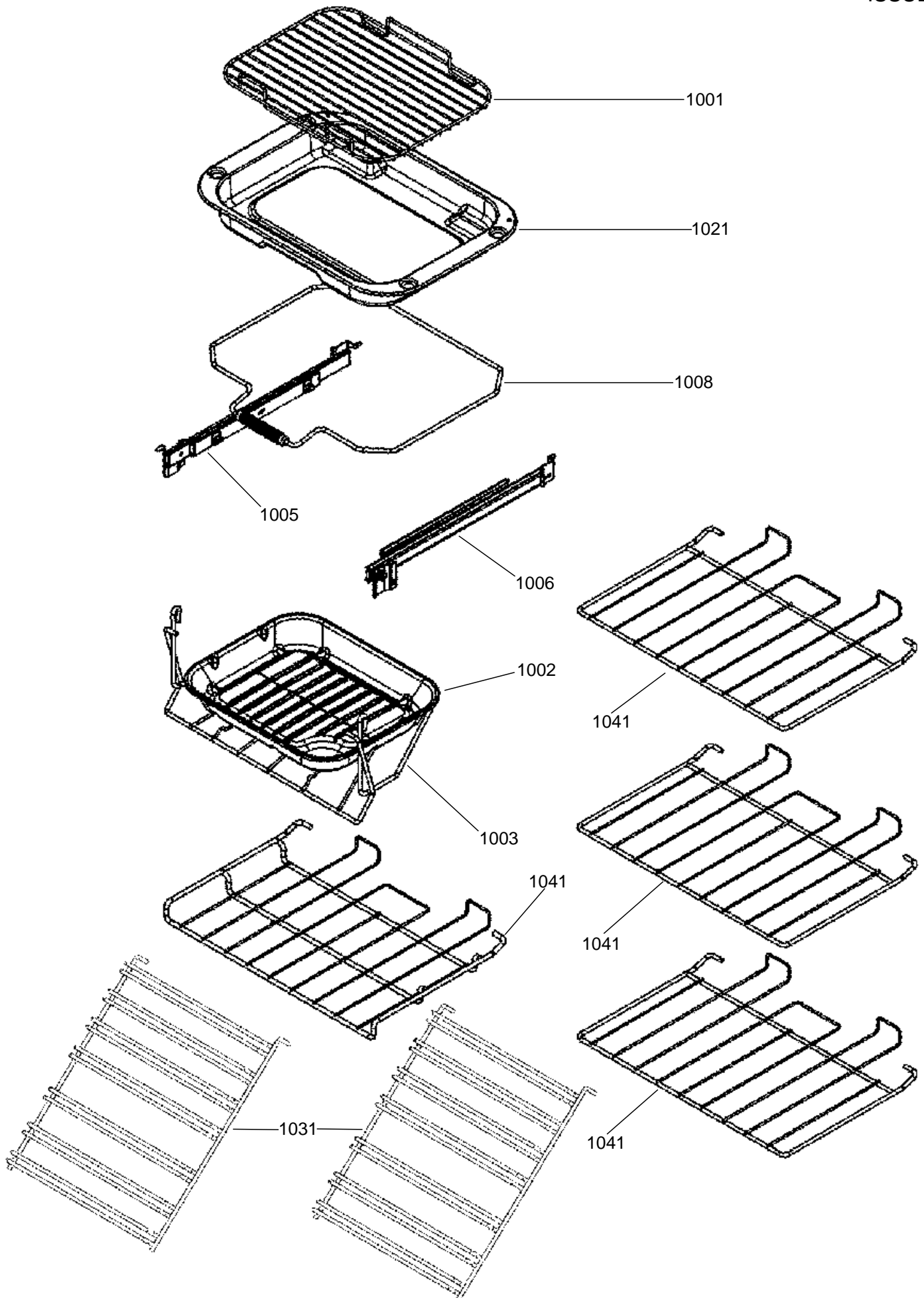


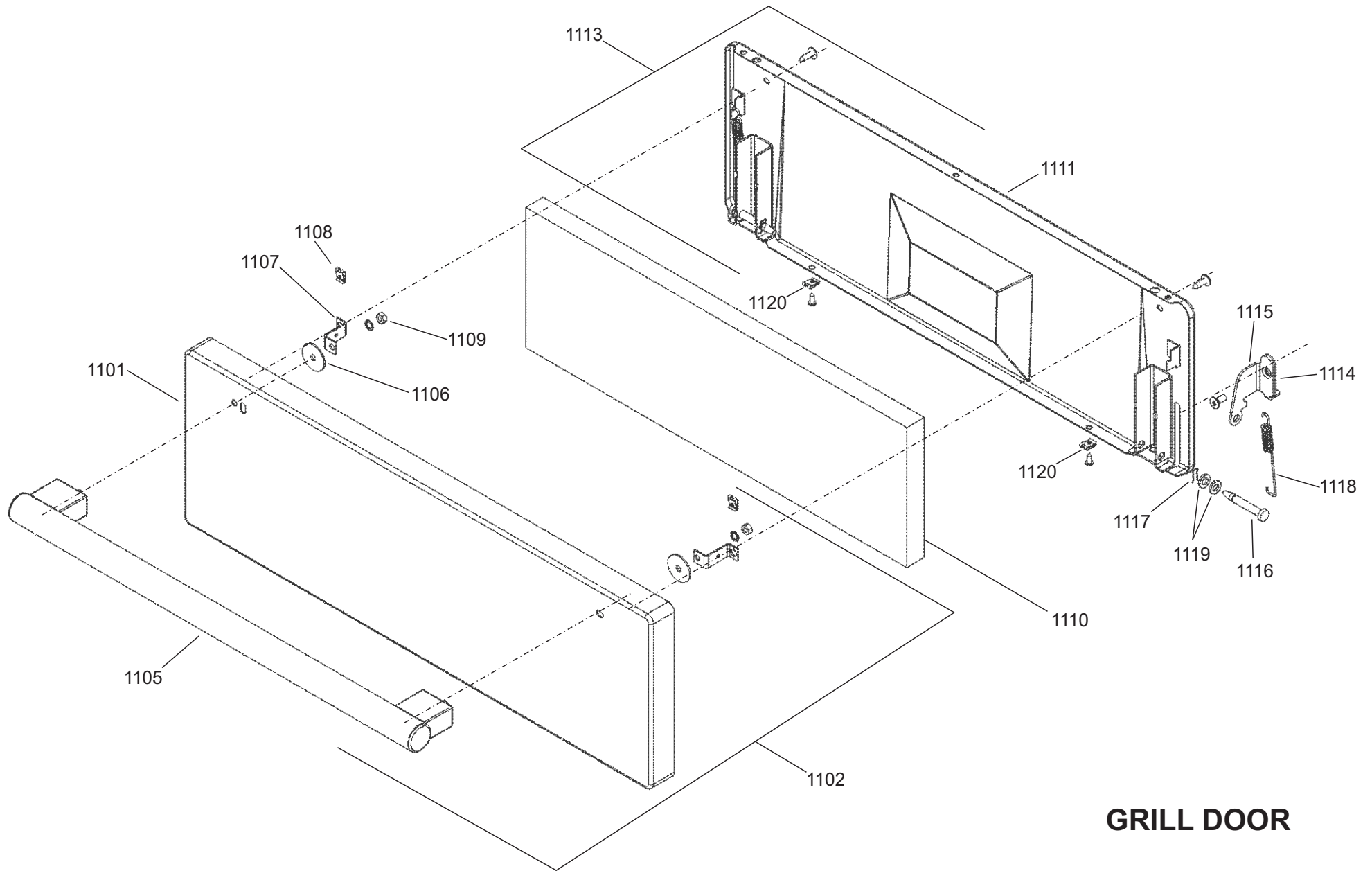


COOKER BACK & ELECTRICAL

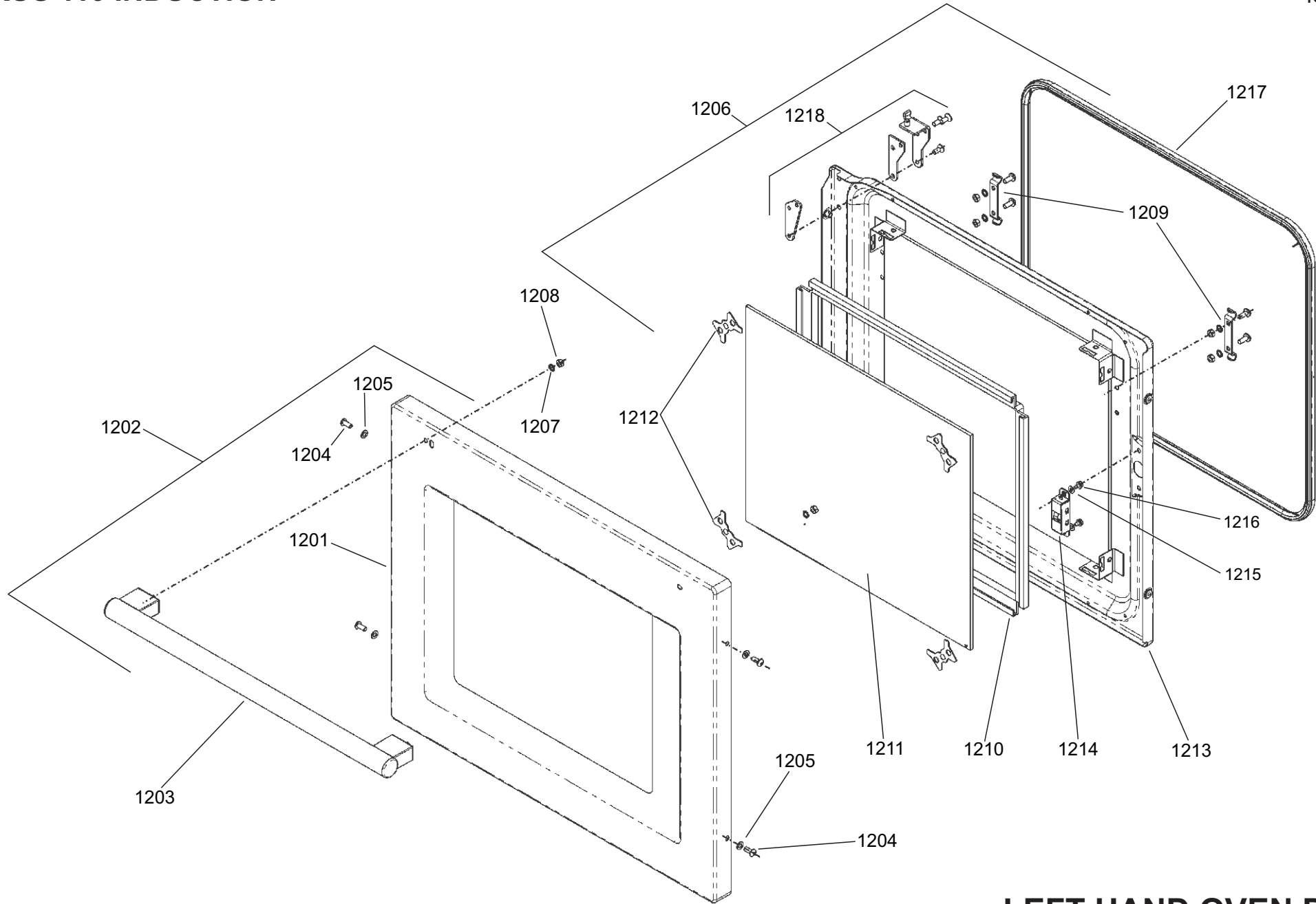


CHASSIS ACCESSORIES

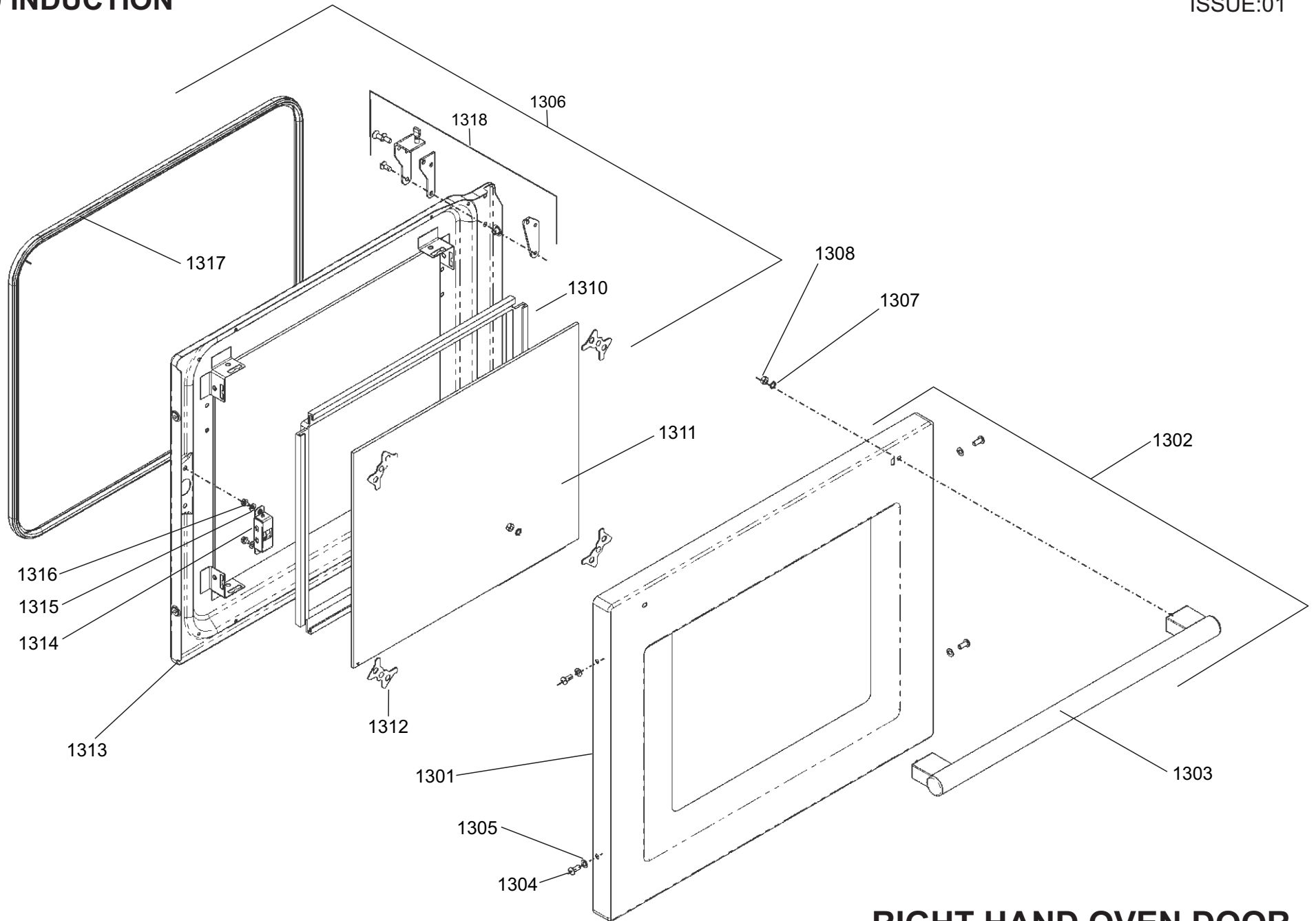




GRILL DOOR



LEFT HAND OVEN DOOR

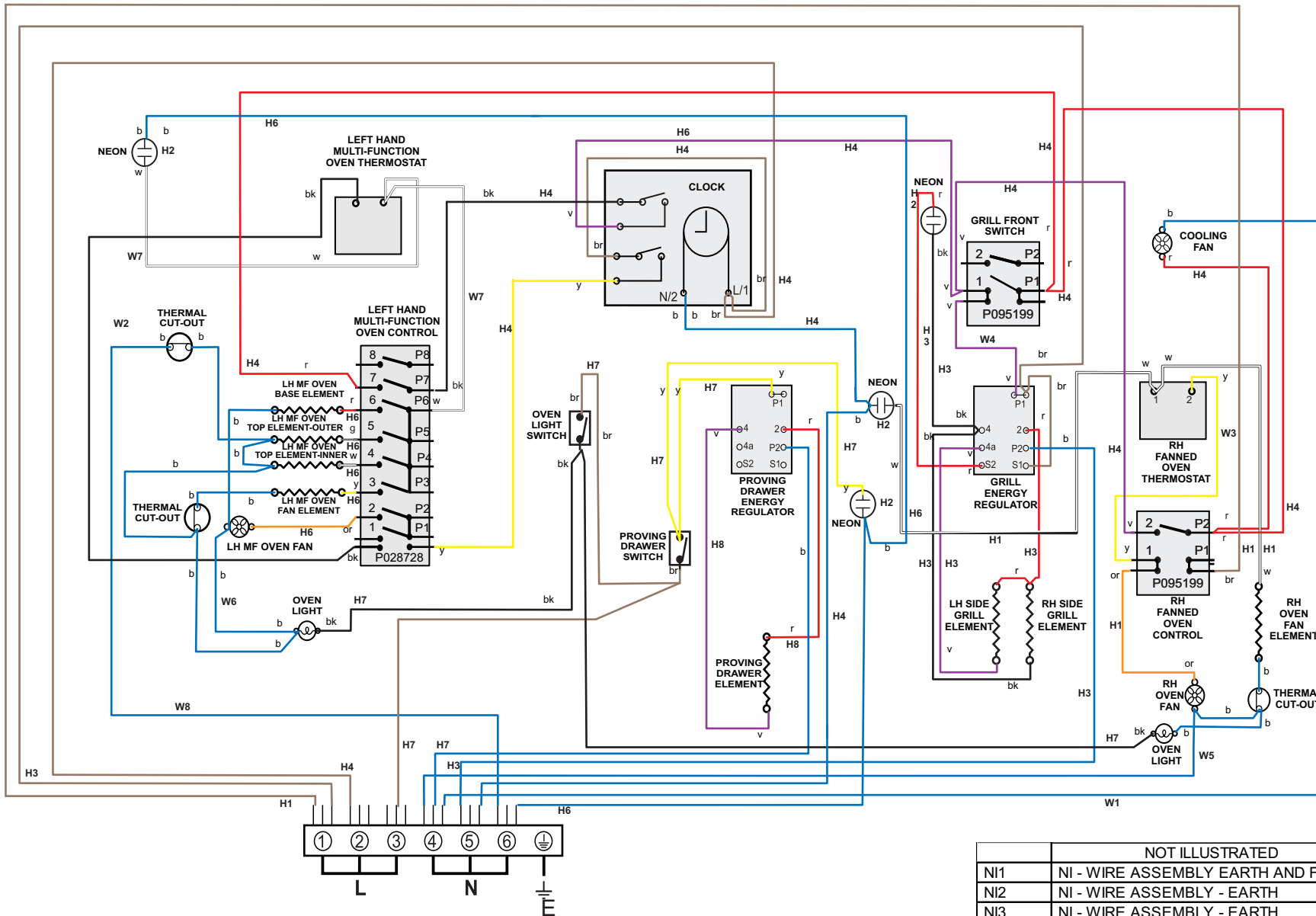


RIGHT HAND OVEN DOOR

FALCON / RANGEMASTER NEXUS 110 INDUCTION

DATE: 30.11.18

DSL0750 P15
ISSUE: 01



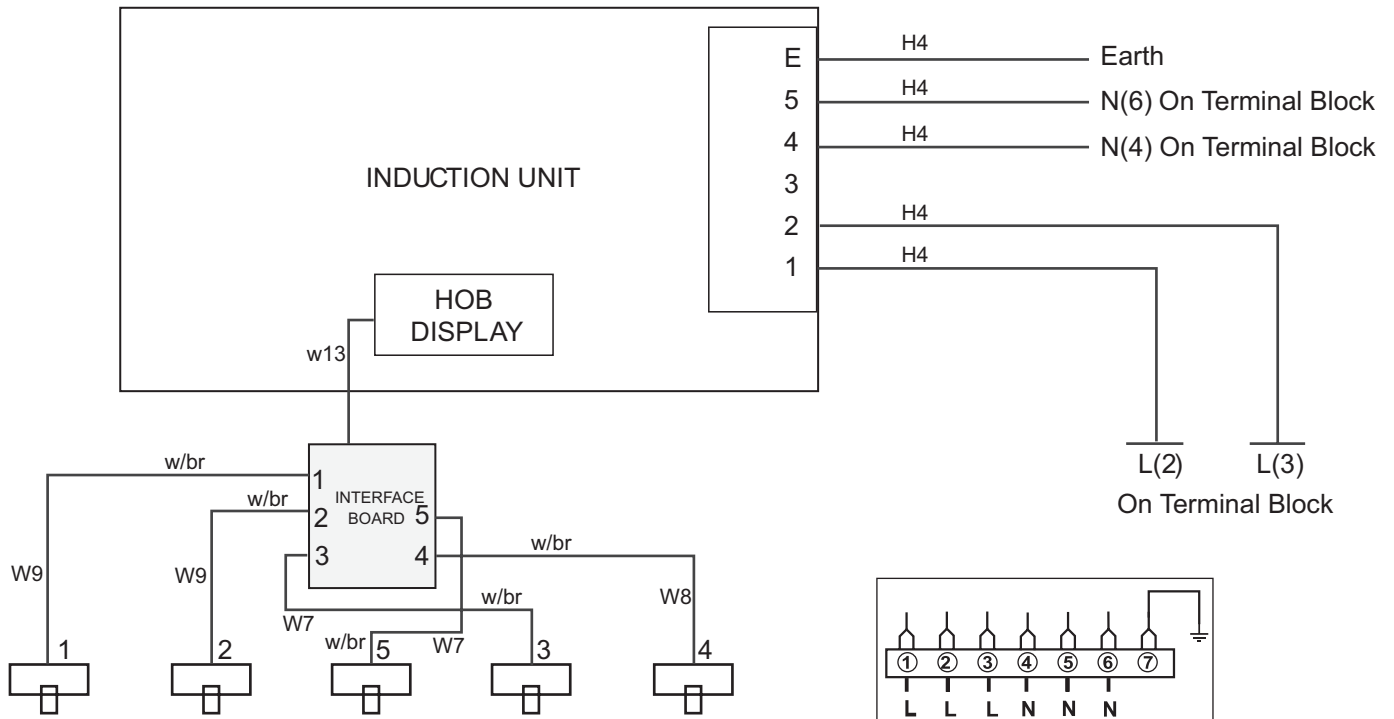
WIRING COLOUR CODES

CODE	COLOUR
b	Blue
br	Brown
bk	Black
or	Orange
r	Red
v	Violet
w	White
y	Yellow
g/y	Green/yellow
gr	Grey

NOT ILLUSTRATED	
NI1	NI - WIRE ASSEMBLY EARTH AND FACIA
NI2	NI - WIRE ASSEMBLY - EARTH
NI3	NI - WIRE ASSEMBLY - EARTH
NI4	NI - HARNESS - EIGHT WIRE LIN BUS
NI5	NI - WIRE ROTARY CONTROL
NI6	NI - CABLE - PCB TO ROTARY CONTROL
NI7	NI - WIRE ROTARY CONTROL
NI8	NI - WIRE ROTARY CONTROL

WIRING

Hob Unit



The connections shown in the circuit diagram are for single - phase. The ratings are for 230V 50Hz.

KEY

Code	Description
1	Left-hand front element
2	Left-hand rear element
3	Right-hand rear element
4	Right-hand front element
5	Centre element

Code	Colour
w/br	White/brown

WIRING DIAGRAM