

NEXUS 110 DUAL FUEL

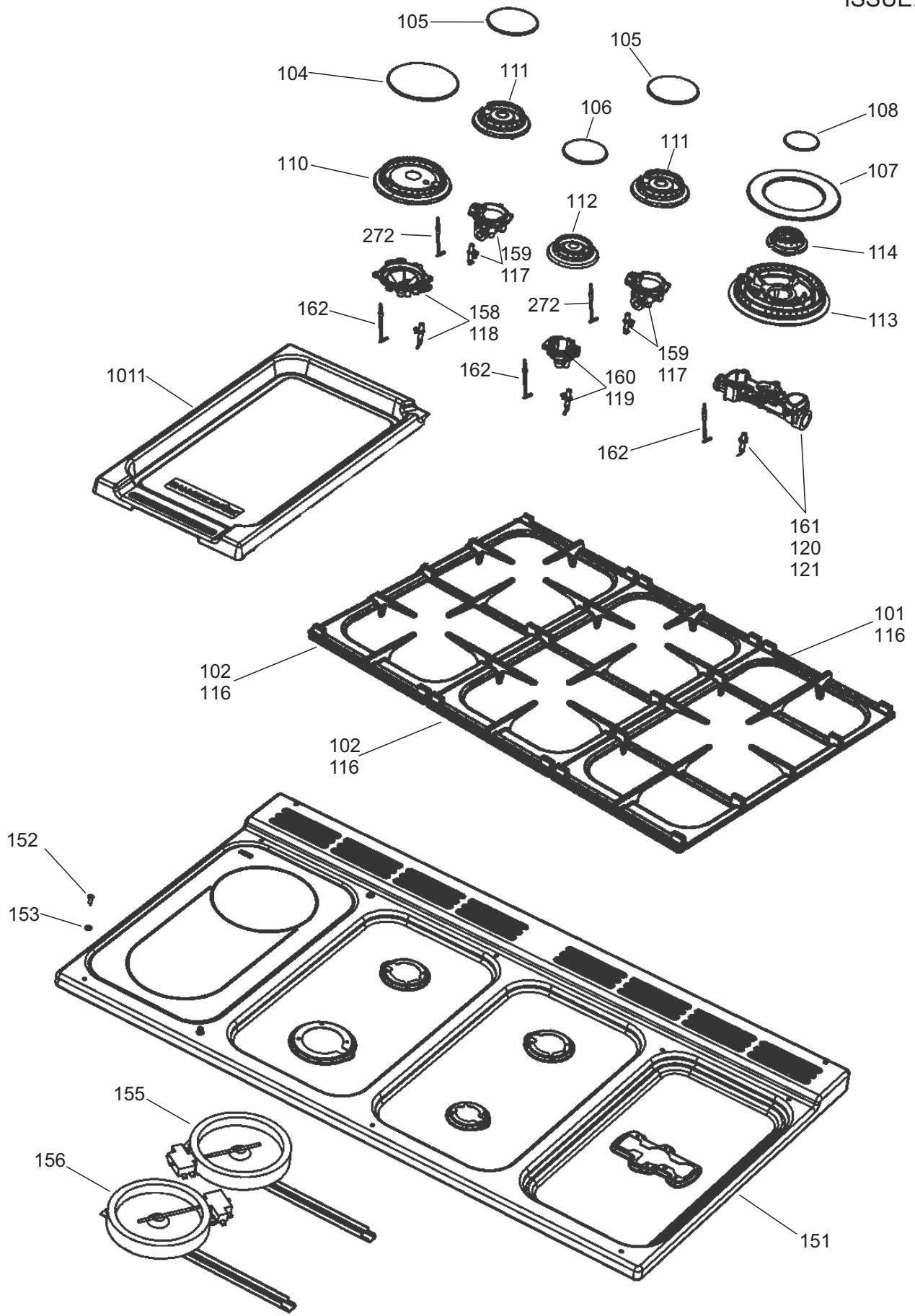
DATE: 18.02.2019

DSL0754 P00

ISSUE: 01



OVERALL APPLIANCE



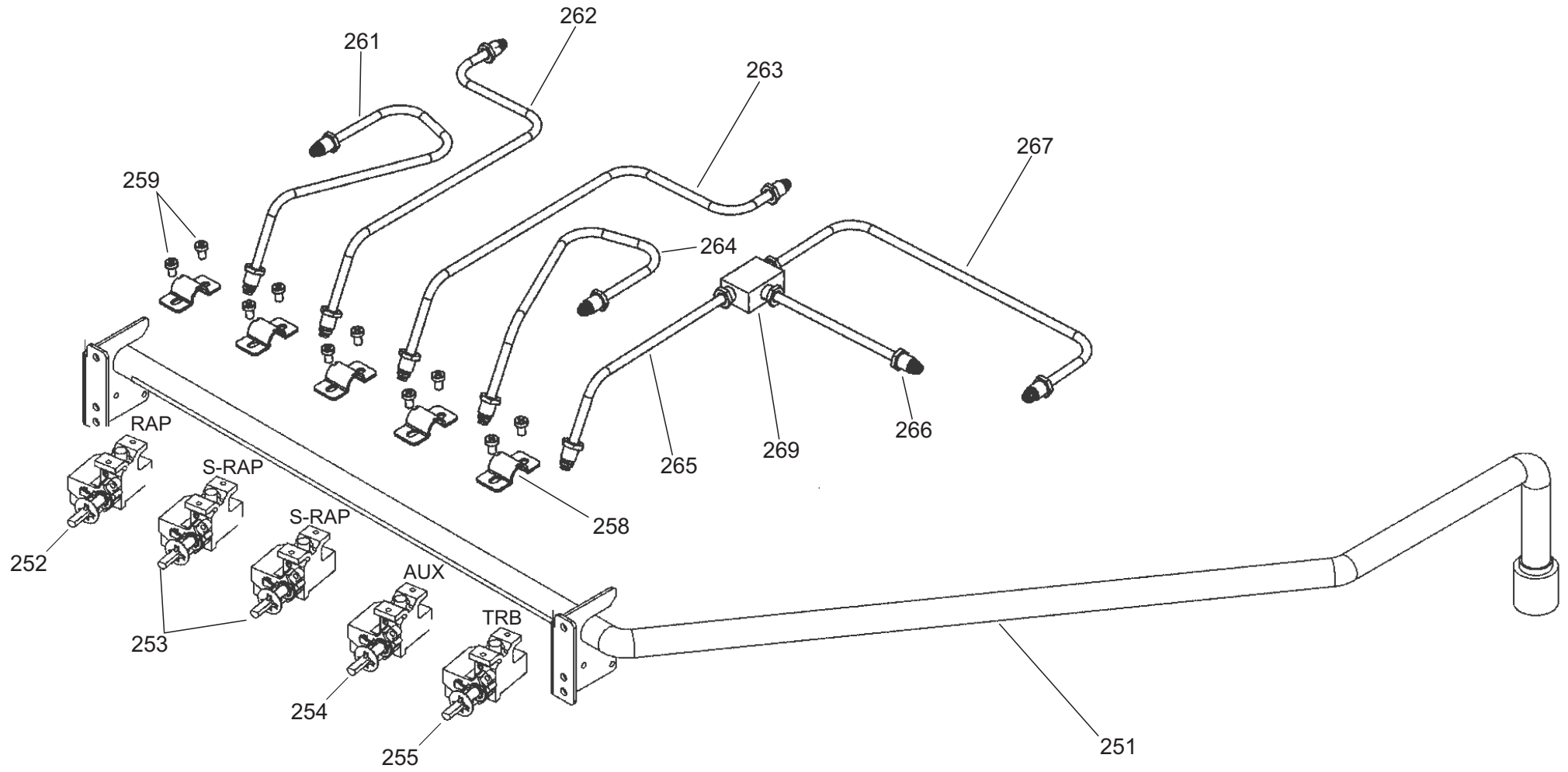
PAN SUPPORTS AND BURNER CAPS

NEXUS 110 DUAL FUEL

DATE: 18.02.2019

DSL0754 P02

ISSUE: 01



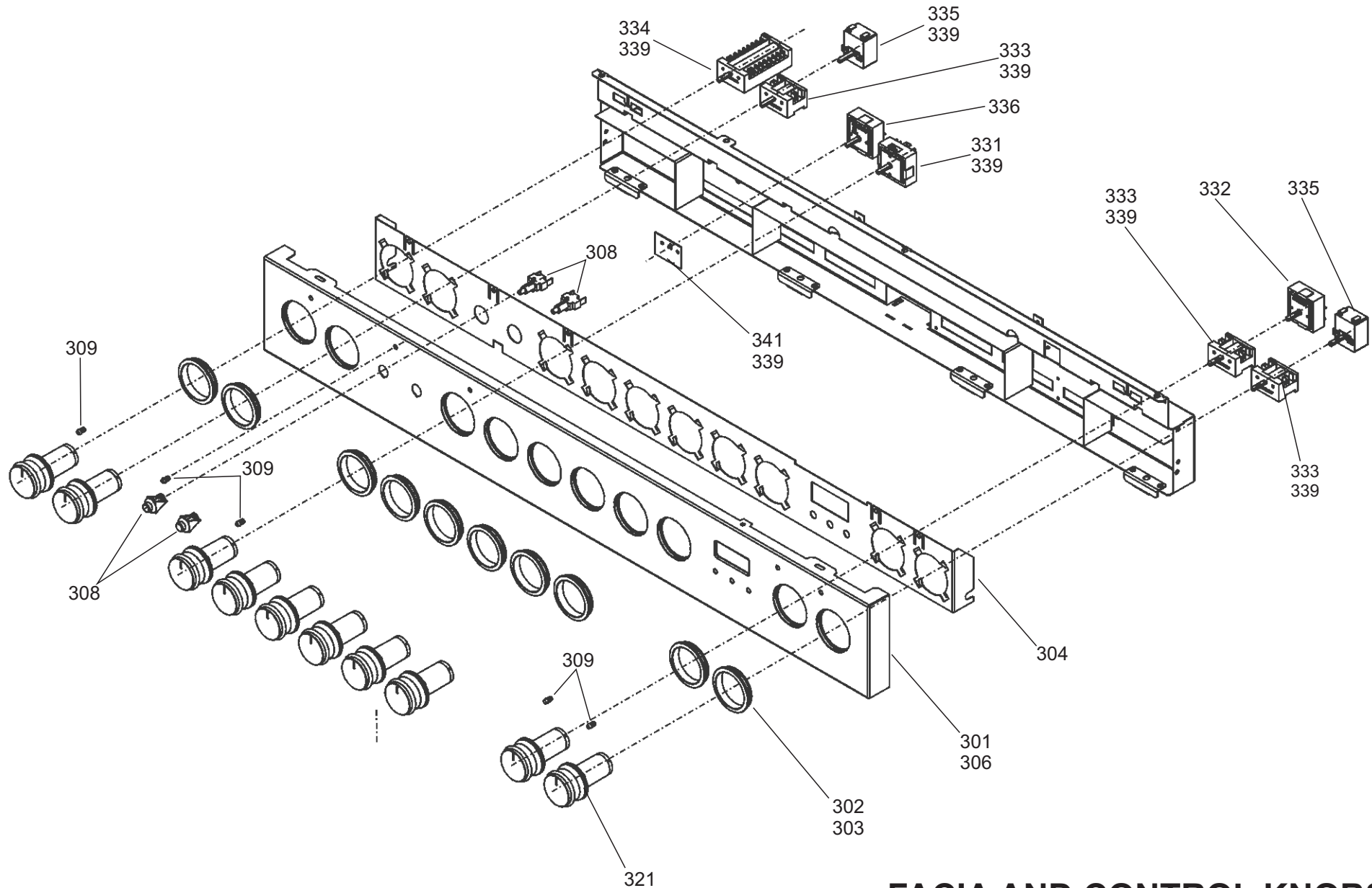
GAS RAIL TAPS INJECTORS AND PIPES

NEXUS 110 DUAL FUEL

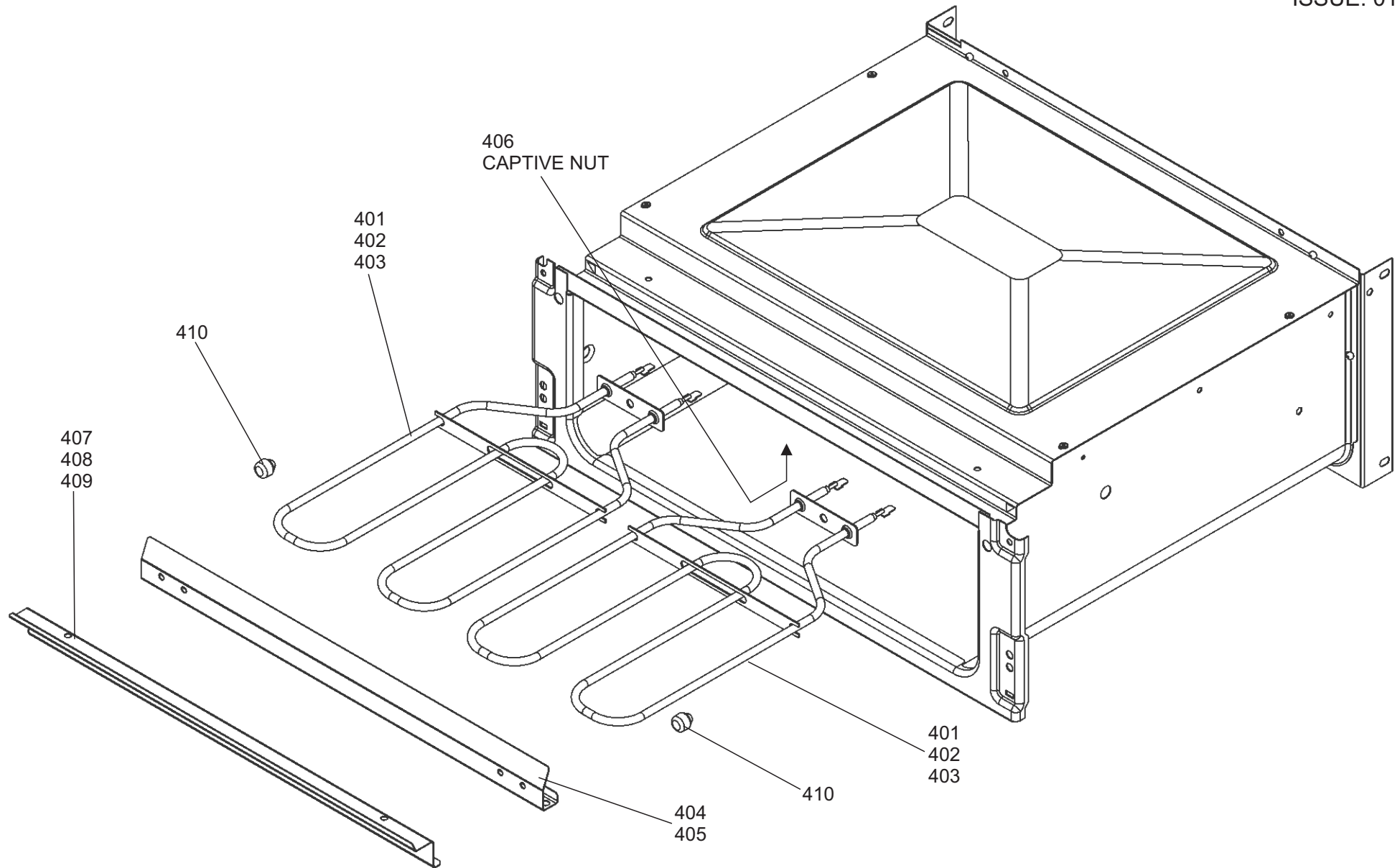
DATE: 18.02.2019

DSL0754 P03

ISSUE: 01



FACIA AND CONTROL KNOBS

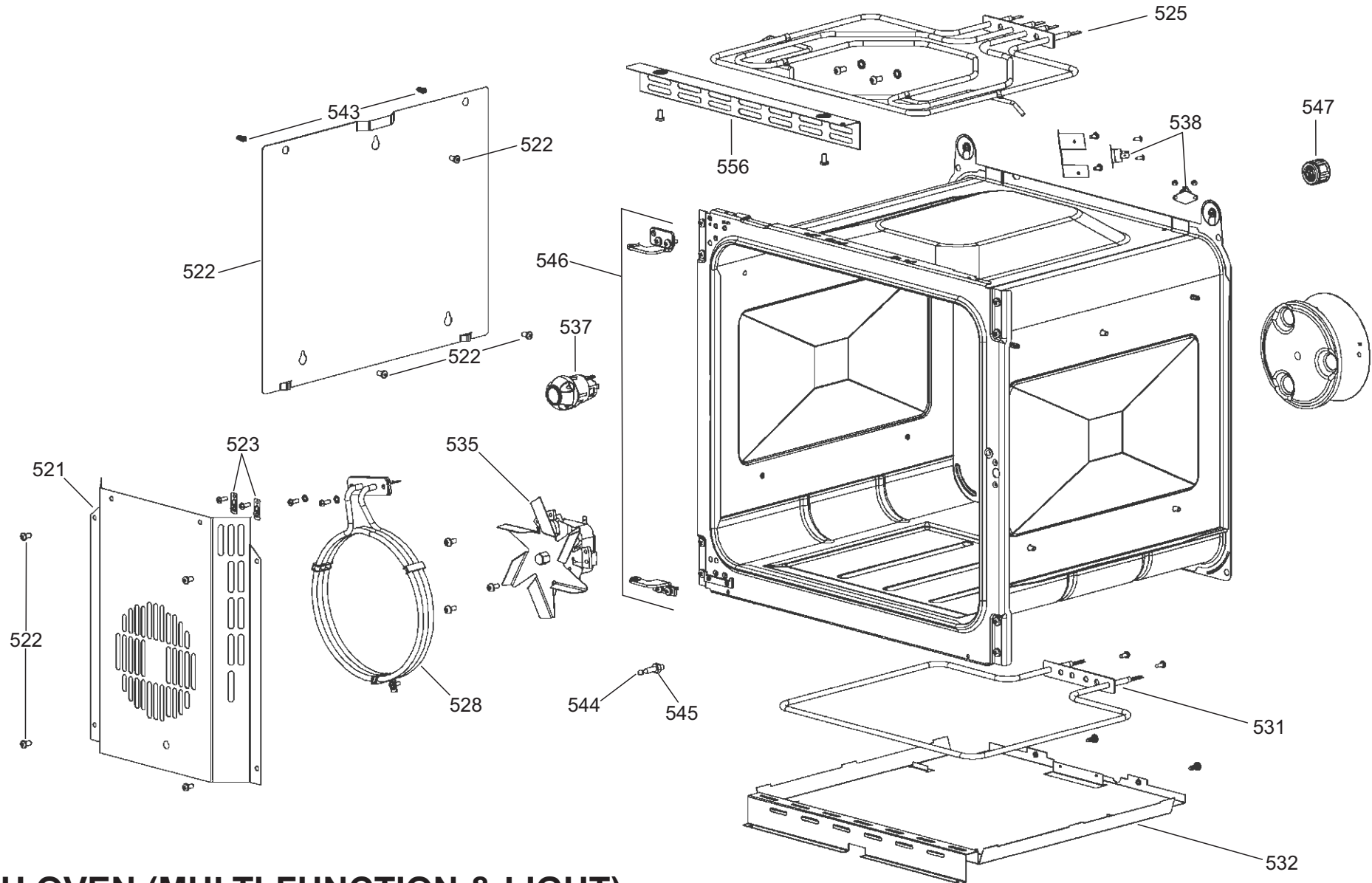


NEXUS 110 DUAL FUEL

DATE: 18.02.2019

DSL0754 P05

ISSUE: 01



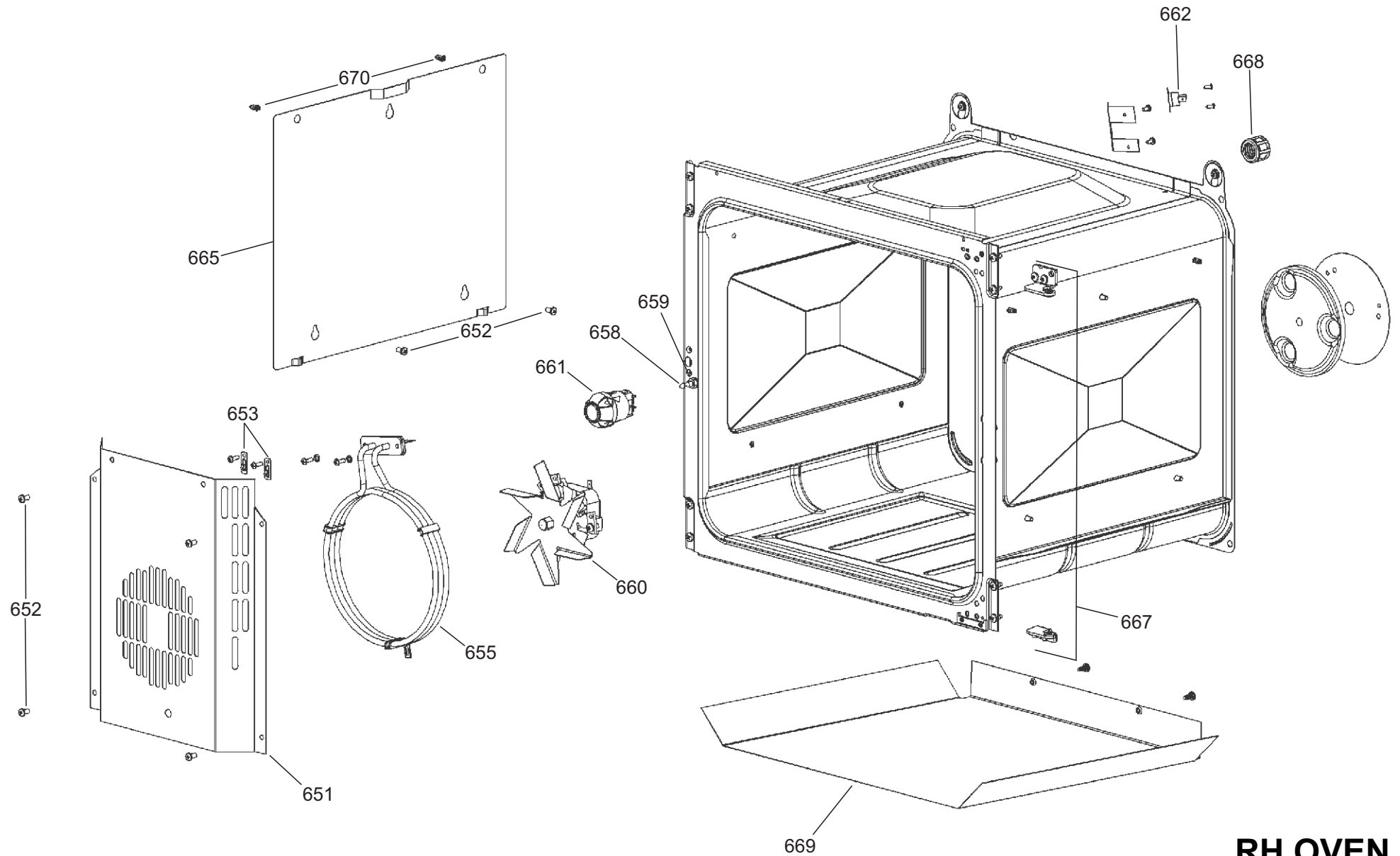
LH OVEN (MULTI-FUNCTION & LIGHT)

NEXUS 110 DUAL FUEL

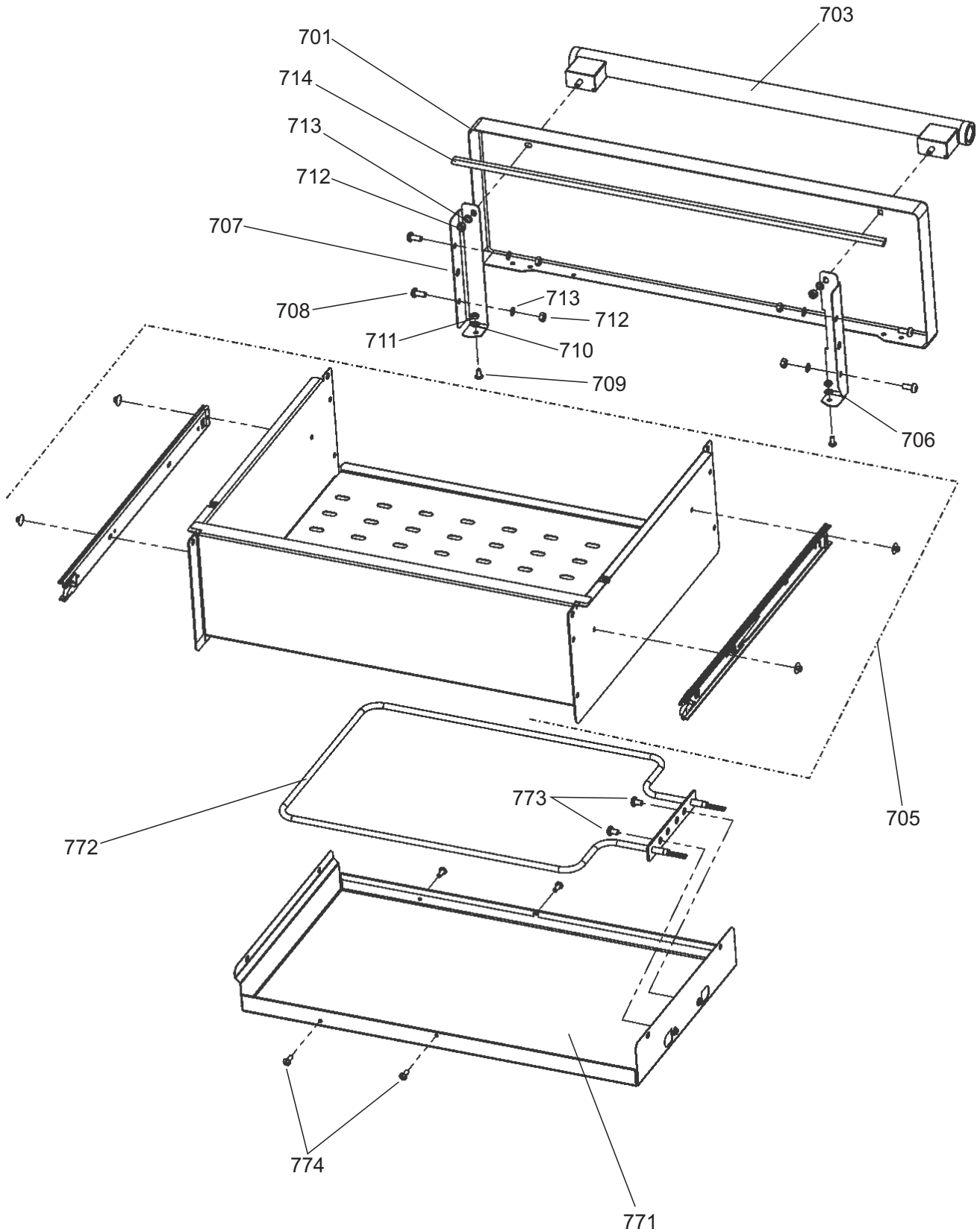
DATE: 18.02.2019

DSL0754 P06

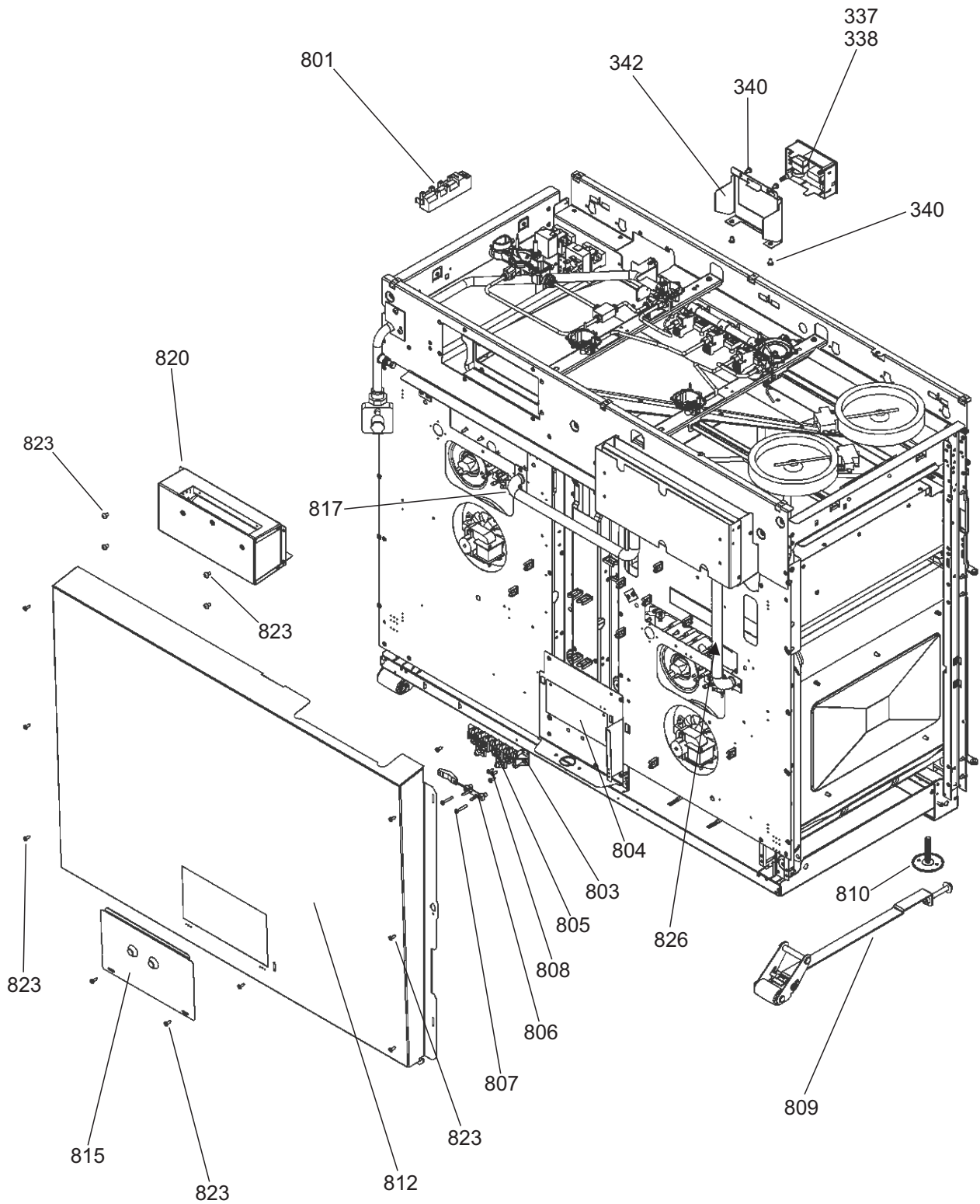
ISSUE: 01

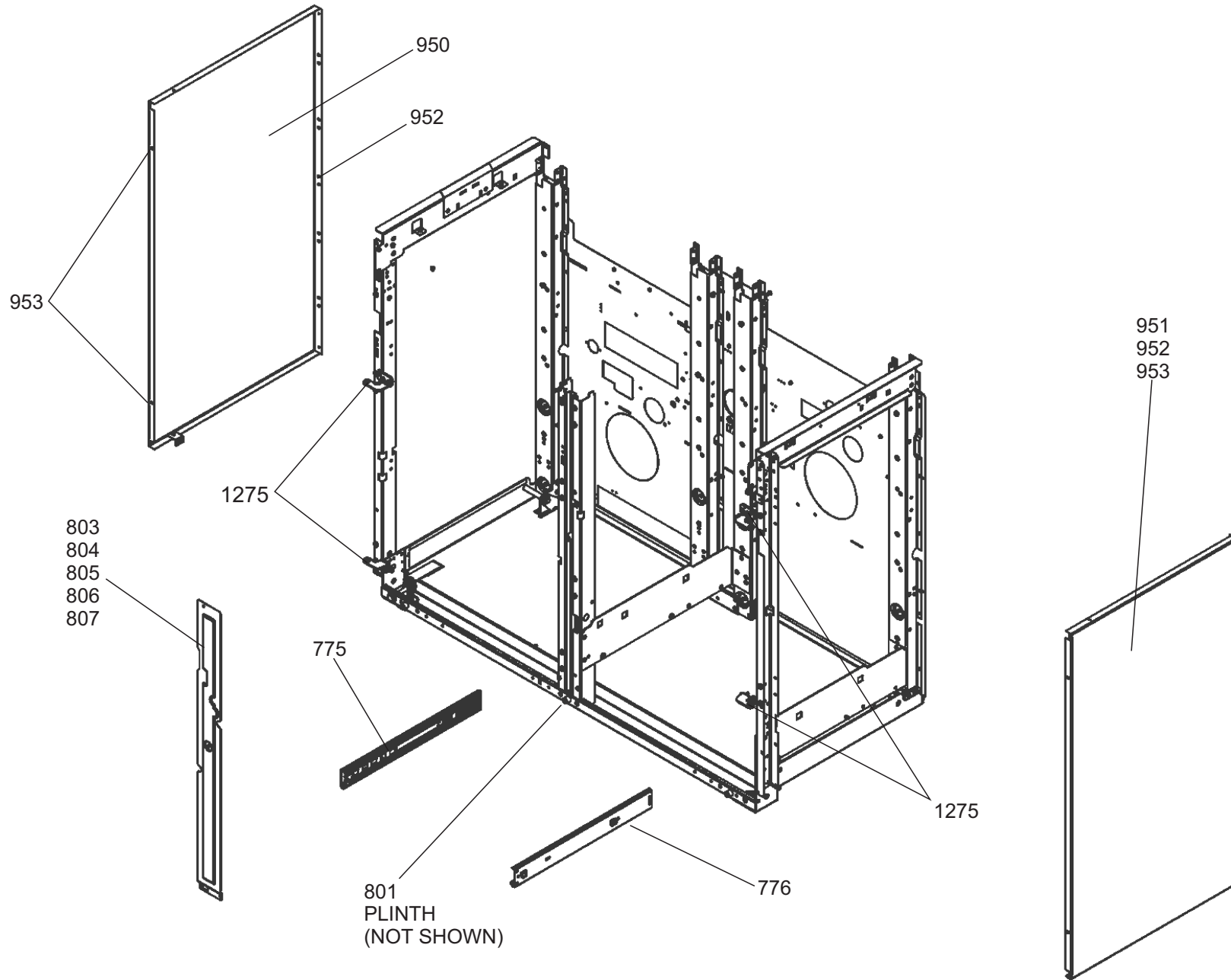


RH OVEN

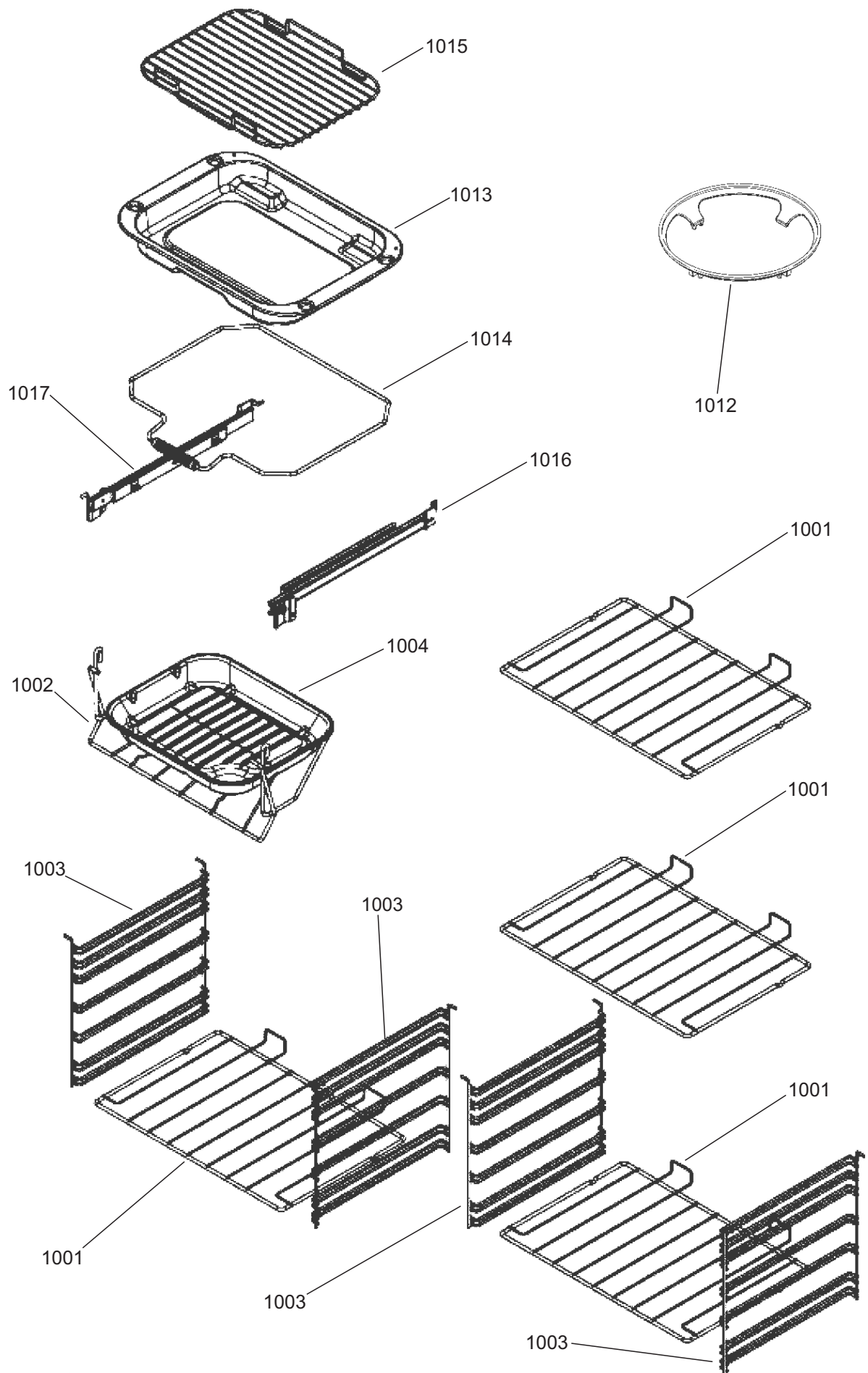


BREAD PROVING DRAWER

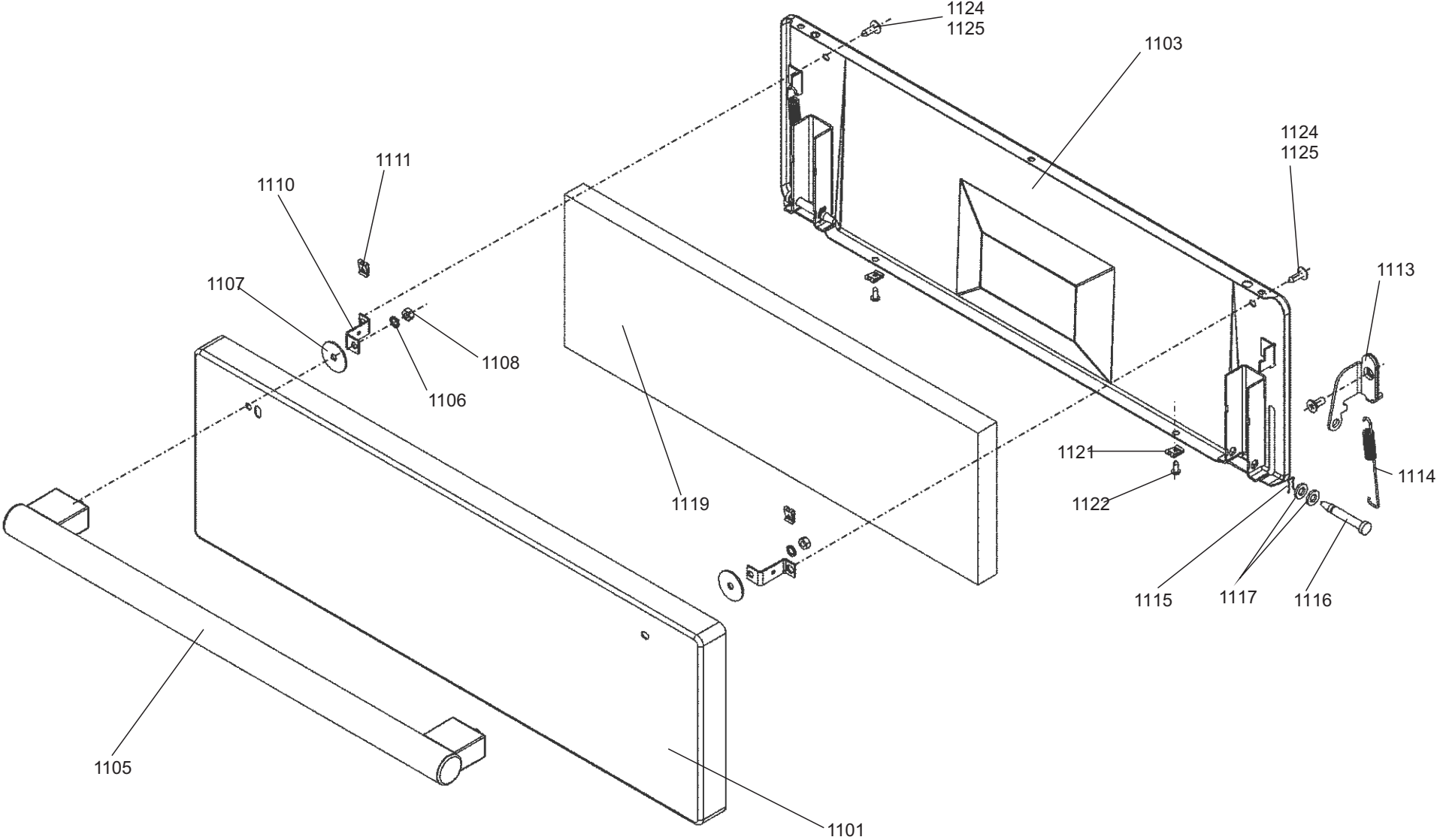


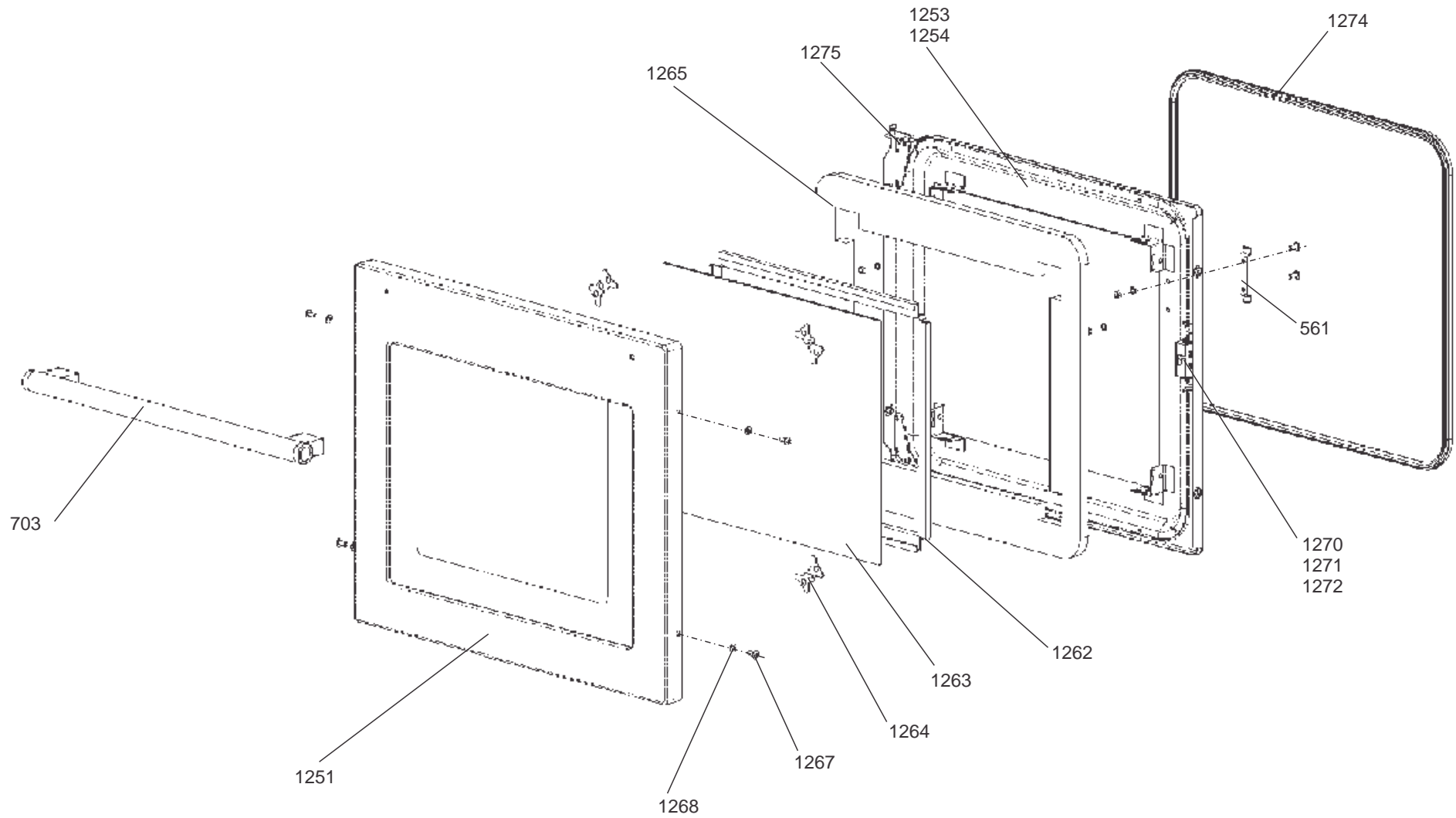


CHASSIS AND FRAME ASSEMBLY

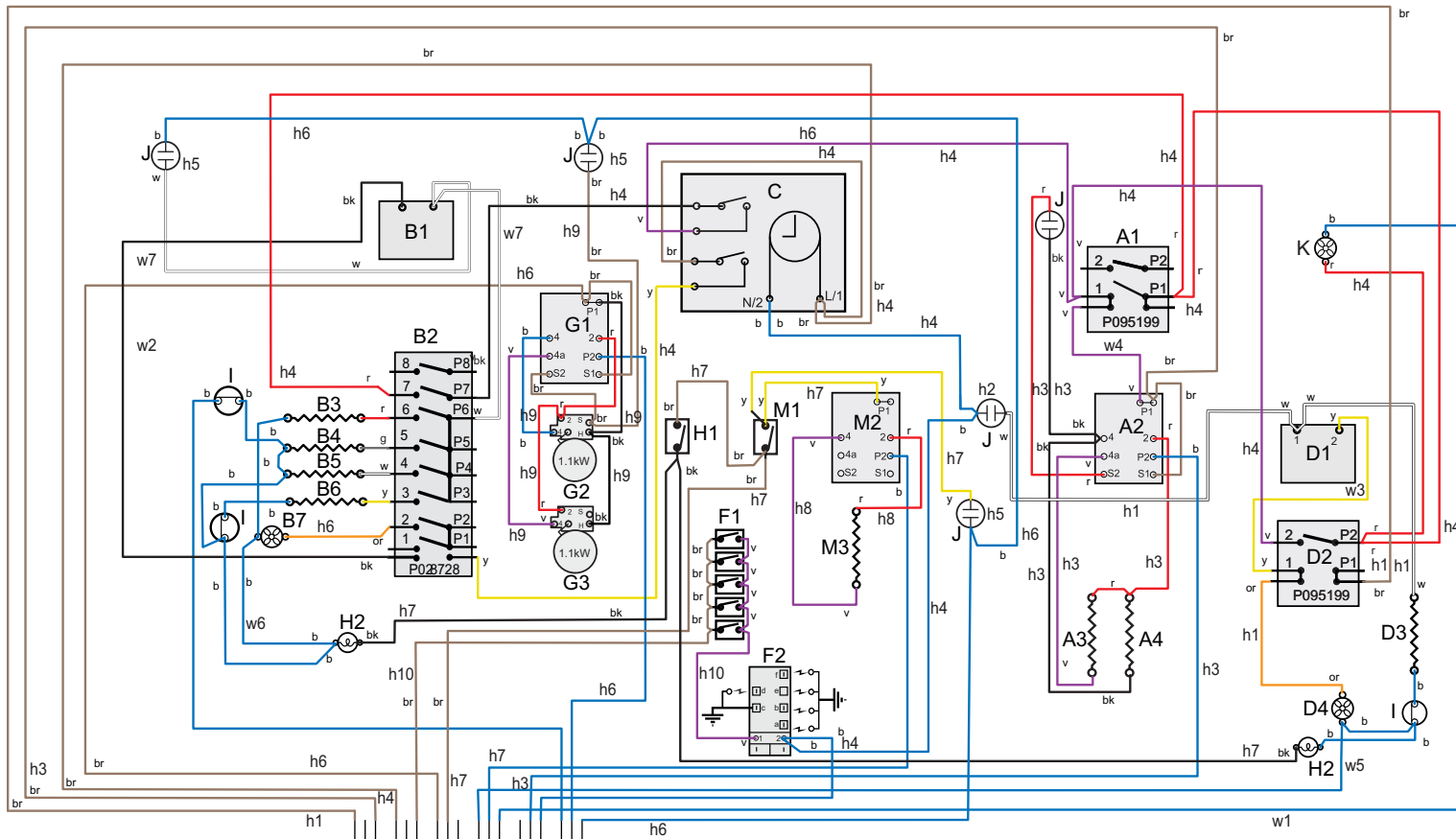


ACCESSORIES





**LH DOOR SHOWN
RH DOOR OPPOSITE HAND**



| Code | Colour |
|------|--------------|
| b | Blue |
| br | Brown |
| bk | Black |
| or | Orange |
| r | Red |
| v | Violet |
| w | White |
| y | Yellow |
| g/y | Green/yellow |
| gr | Grey |

- A1 GRILL FRONT SWITCH
- A2 GRILL ENERGY REGULATOR
- A3 GRILL ELEMENT LEFT-HAND SIDE
- A4 GRILL ELEMENT RIGHT-HAND SIDE
- B1 LEFT-HAND MULTIFUNCTION OVEN THERMOSTAT
- B2 LEFT-HAND MULTIFUNCTION OVEN CONTROL
- B3 LEFT-HAND MULTIFUNCTION OVEN BASE ELEMENT
- B4 LEFT-HAND MULTIFUNCTION OVEN TOP ELEMENT (OUTER PAIR)
- B5 LEFT-HAND MULTIFUNCTION OVEN BROWNING ELEMENT (INNER PAIR)
- B6 LEFT-HAND MULTIFUNCTION OVEN FAN ELEMENT
- B7 LEFT-HAND MULTIFUNCTION OVEN FAN
- C CLOCK
- D1 RIGHT-HAND FAN OVEN THERMOSTAT
- D2 RIGHT-HAND FAN OVEN CONTROL
- D3 RIGHT-HAND FAN OVEN ELEMENT
- D4 RIGHT-HAND FAN OVEN
- F1 IGNITION SWITCHES
- F2 IGNITION SPARK REGULATOR
- G1 CERAMIC HOB ENERGY REGULATOR
- G2 REAR CERAMIC HOB ELEMENT
- G3 FRONT CERAMIC HOB ELEMENT
- H1 OVEN LIGHT SWITCH
- H2 OVEN LIGHT
- I THERMAL CUT-OUT
- J NEON
- K COOLING FAN
- M1 PROVING DRAW SWITCH
- M2 PROVING DRAW ENERGY REGULATOR
- M3 PROVING DRAW ELEMENT

WIRING DIAGRAM