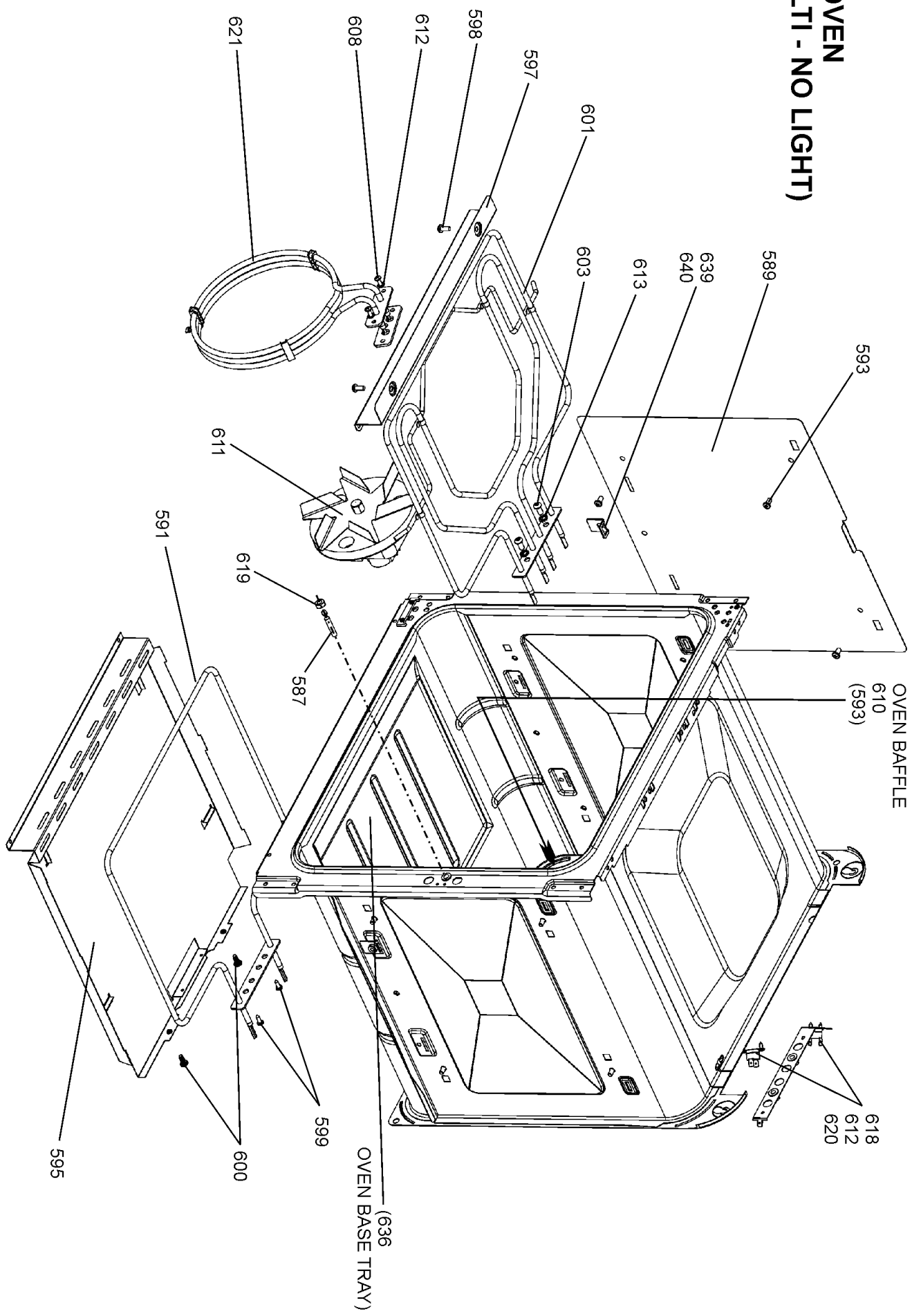


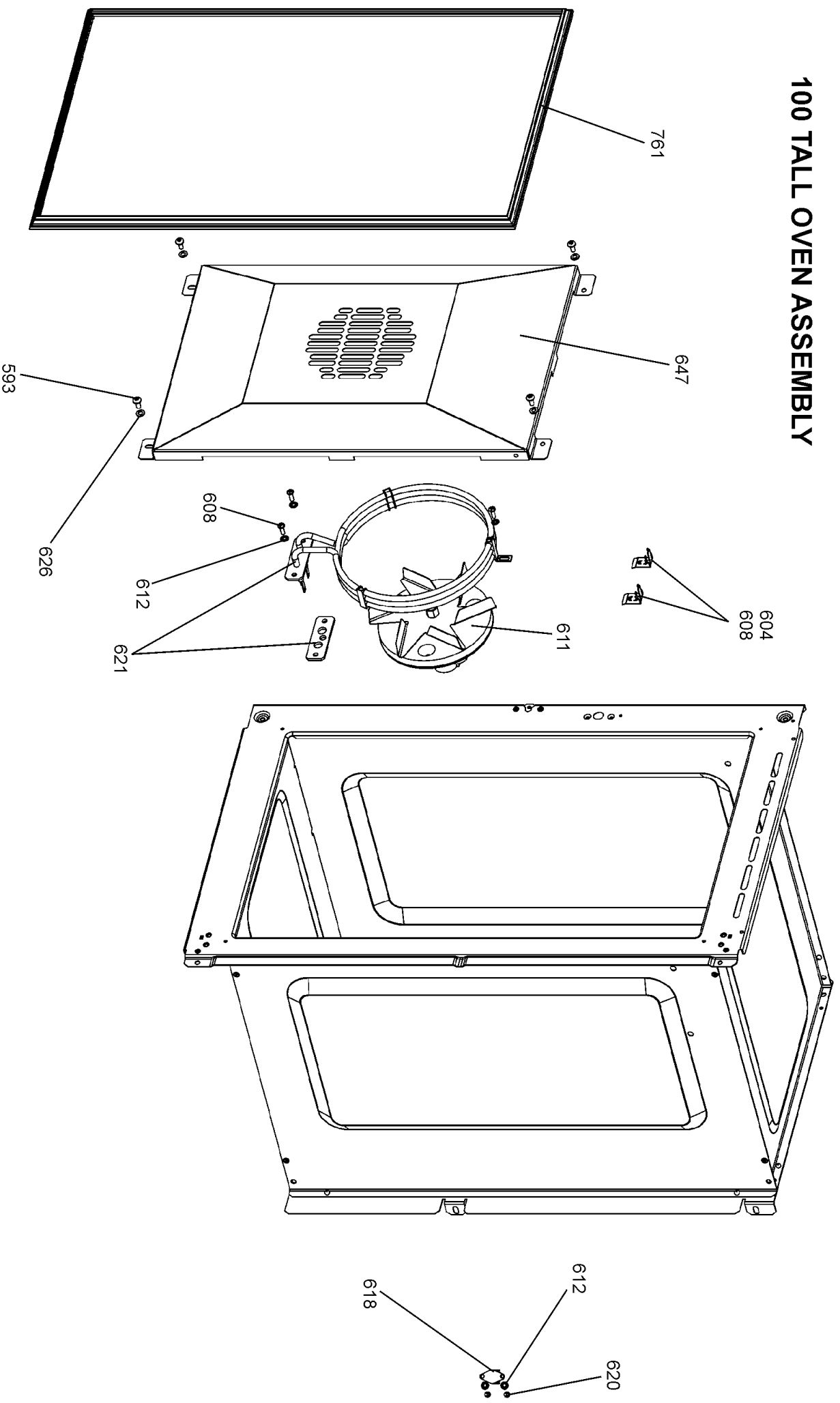
FROM SERIAL NUMBER 169000

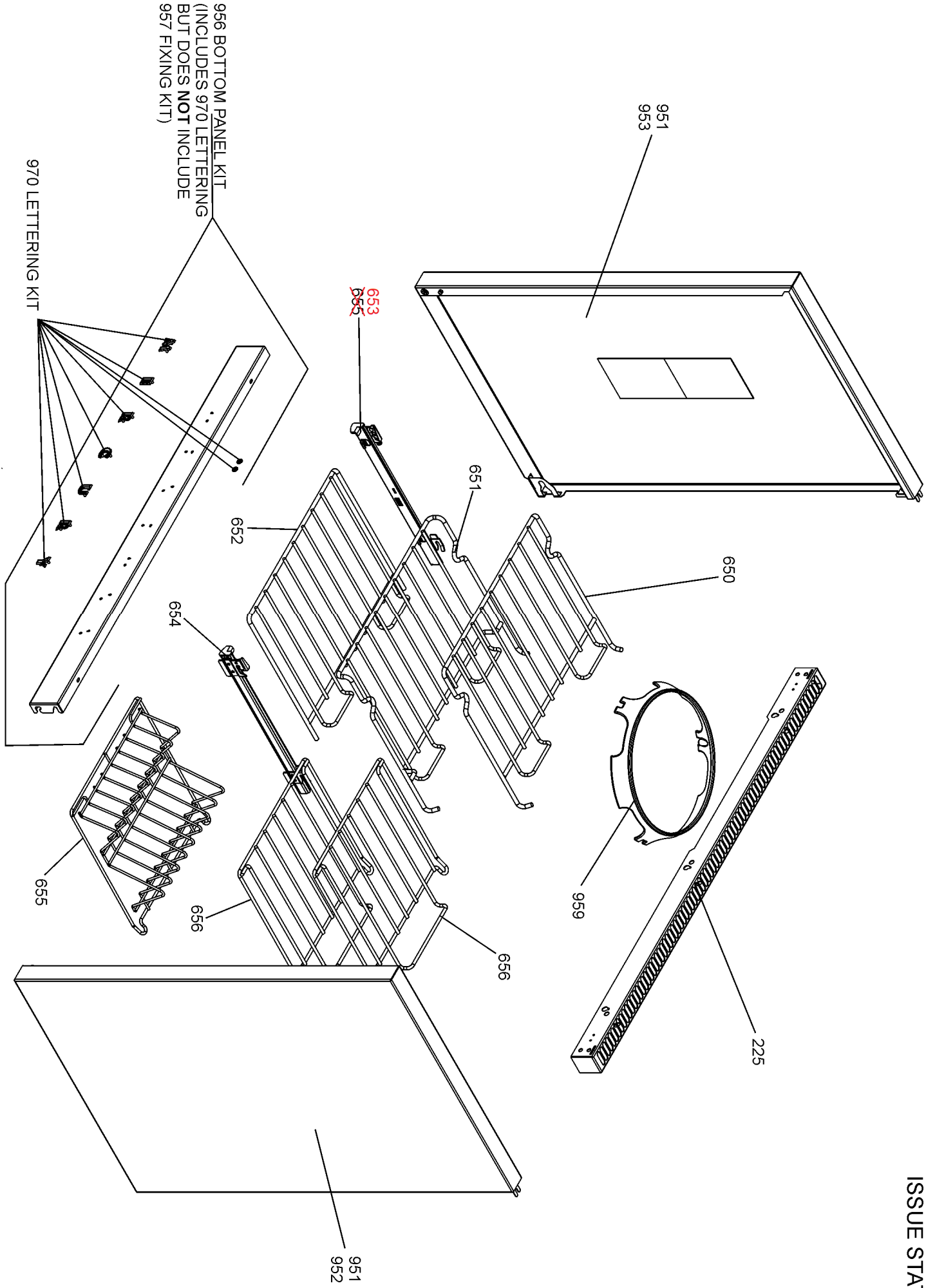
LH OVEN
(MULTI - NO LIGHT)

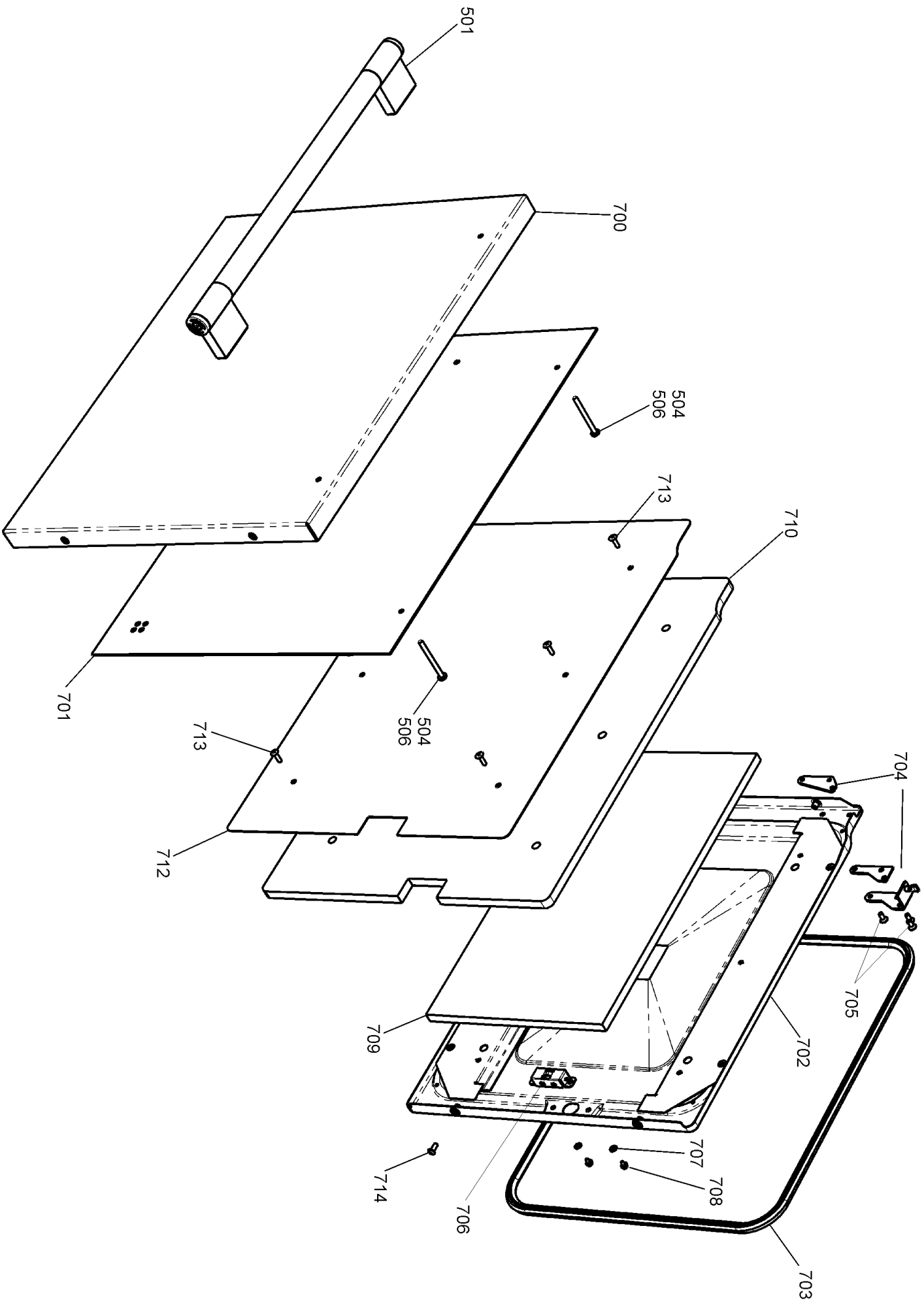


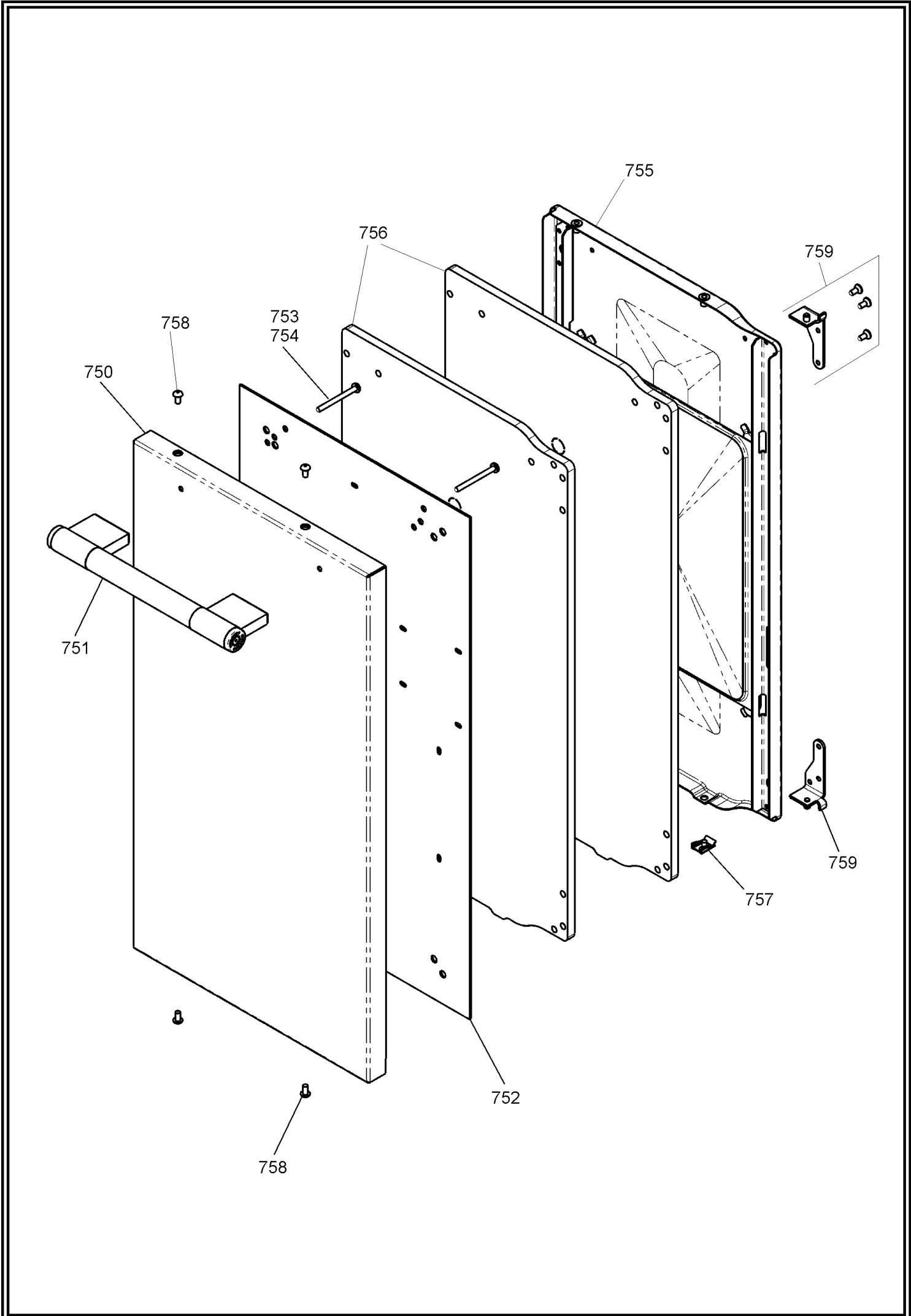
FROM SERIAL NUMBER 169000

100 TALL OVEN ASSEMBLY









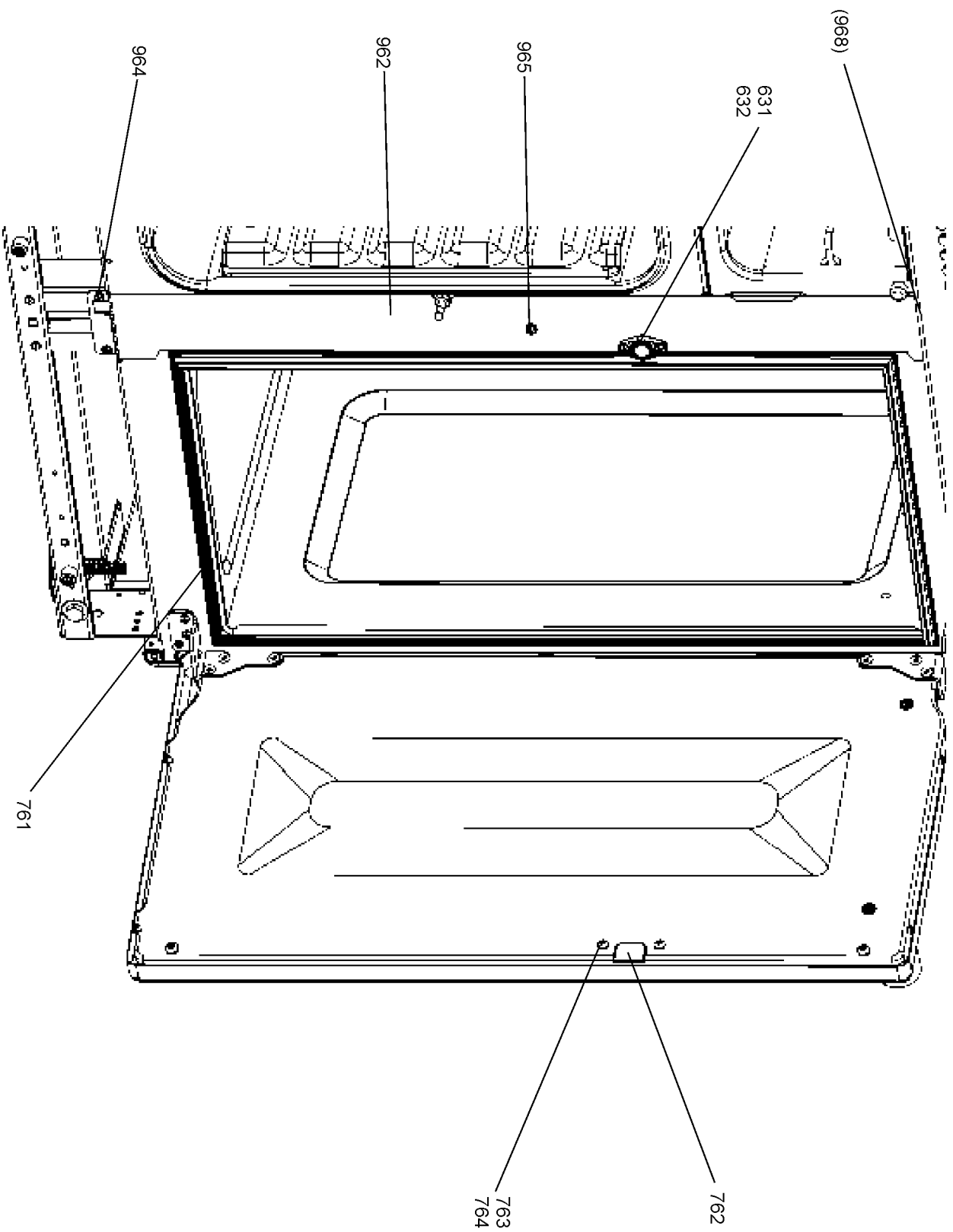
MERCURY 1082 DF

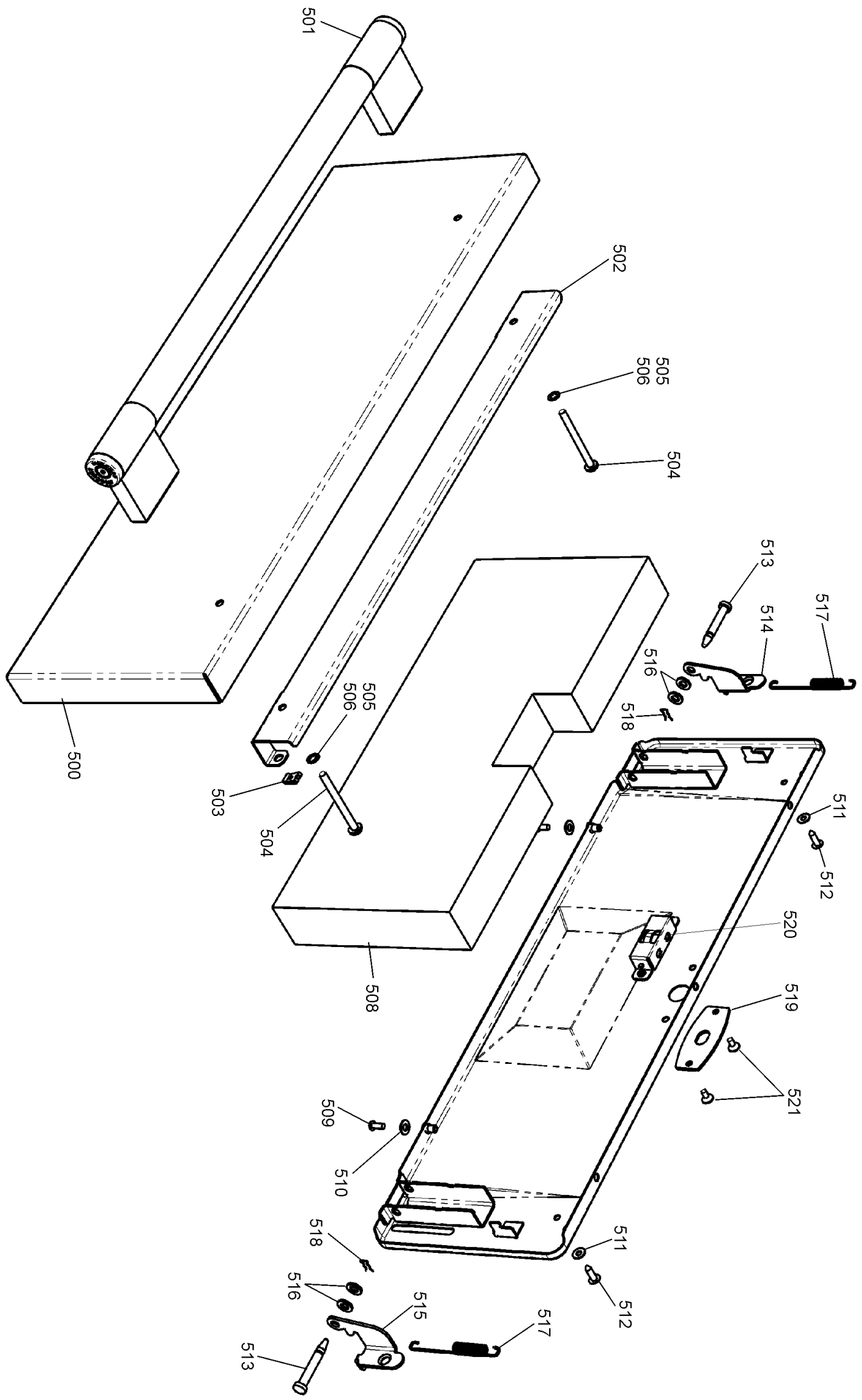
FROM SERIAL NUMBER 169000

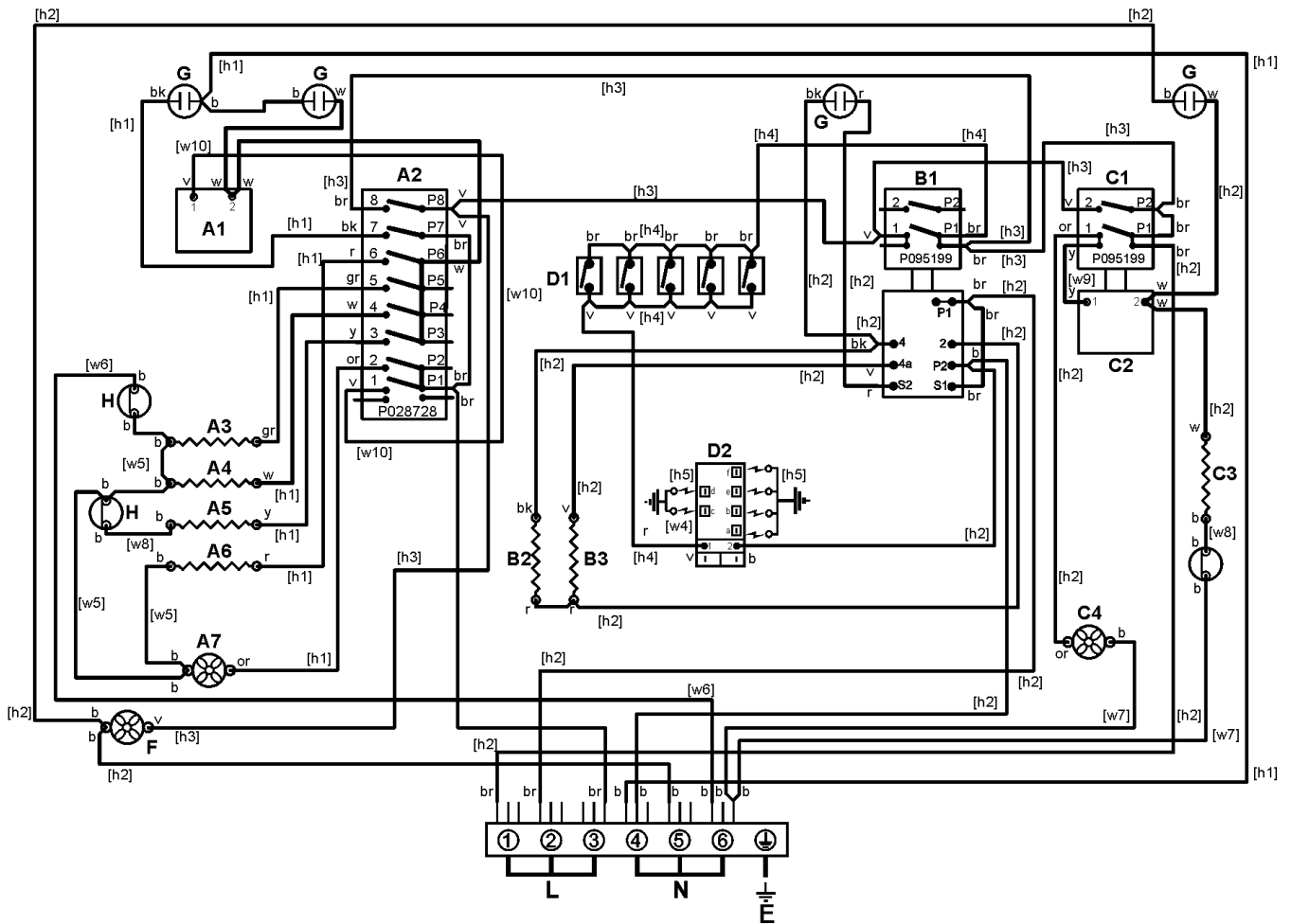
DATE 13.08.13

DSL0524 P08A

ISSUE STATUS 01







Ref Number	Part number	Colour	Quantity	Remarks
w1	P050327	G/Y	1	Wire (NI) - Earth links
w2	P055374	G/Y	2	Wire (NI) - Earth
w3	P094943	G/Y	2	Wire (NI) - Earth
w4	P049241	G/Y	1	Wire - Earth to spark generator (Position C)
w5	P033089	Blue	1	Wire - Multi-function neutral link
w6	P033073	Blue	1	Wire - Neutral LH Oven Cut-out
w7	P027733	Blue	1	Wire - Neutral
w8	P040066	Blue	2	Wire - Neutral
h1	P050325	r/y/w/br/or/gr/b/bk	1	Harness - LH Oven Harness
h2	P050326	bk/r/b/br/v/w/or	1	Harness - RH Oven & Grill Harness
h3	P050324	Br/Violet	1	Harness - Cooling Harness
w9	P037863	Yellow	1	Wire - WIRE ASSEMBLY
w10	P033086	Violet	1	Wire - WIRE ASSEMBLY T'STAT LINK
w11	P050565	Black Sleeve	4	Wire - (NI) - Neon assembly
h4	P049254	Br/Violet	1	Wire - Ignition switch harness
h5	P049296	Clear	1	Wire - HT Harness

Key.

The connections shown in the circuit diagram are for single-phase. The ratings are for 230 V 50 Hz.

Code	Description
A1	Left-hand MF oven control
A2	Left-hand MF oven control switch
A3	Left-hand MF oven top element (outer pair)
A4	Left-hand MF oven browning element (inner pair)
A5	Left-hand MF oven fan element
A6	Left-hand MF oven base element
A7	Left-hand MF oven fan
B1	Grill control
B2	Left-hand grill element
B3	Right-hand grill element

Code	Description
C1	Right-hand fan oven control
C2	Right-hand fan oven thermostat
C3	Right-hand fan oven element
C4	Right-hand oven fan
D1	Ignition switches
D2	Ignition generator
F	Cooling fan
G	Neon
H	Thermal cut-out

Code	Colour
b	Blue
br	Brown
bk	Black
or	Orange
r	Red
v	Violet
w	White
y	Yellow
g/y	Green/yellow
gr	Grey