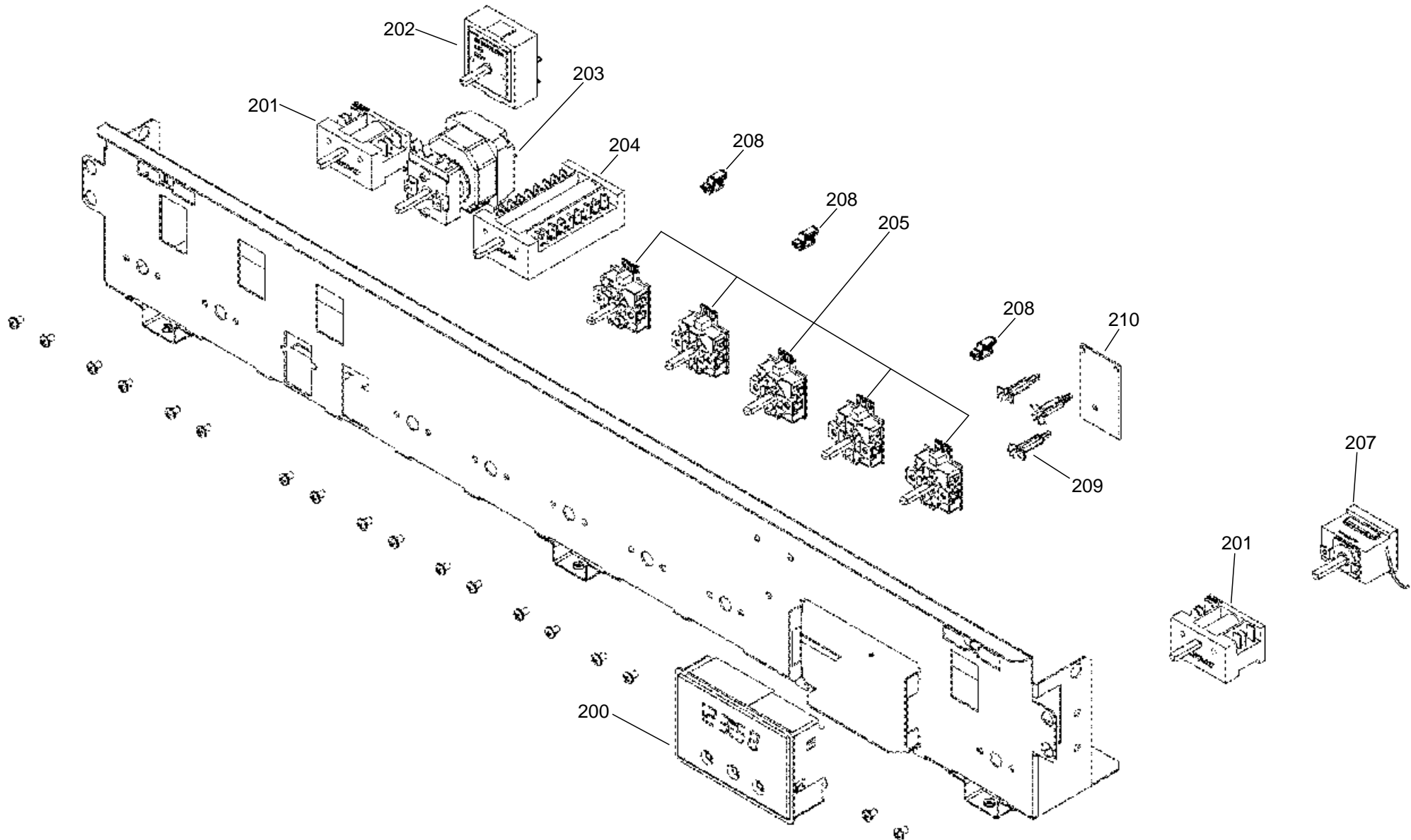


HOB AND INDUCTION ASSEMBLY

RANGEMASTER LONGSTOCK DELUXE 90 INDUCTION

DATE: 08.05.2019

DSL0783 P02
ISSUE:01

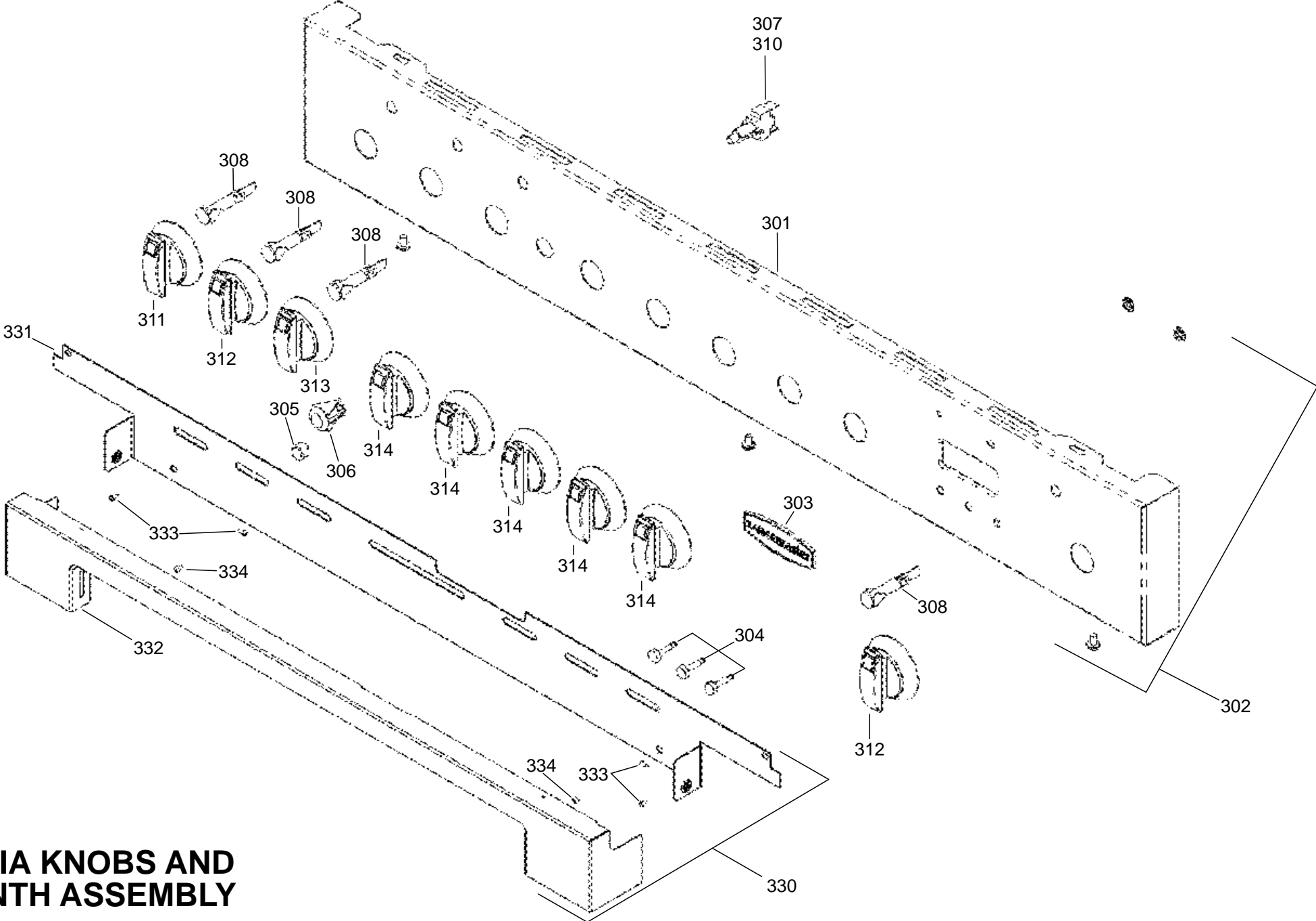


CONTROLS

RANGEMASTER LONGSTOCK DELUXE 90 INDUCTION

DATE: 08.05.2019

DSL0783 P03
ISSUE:01

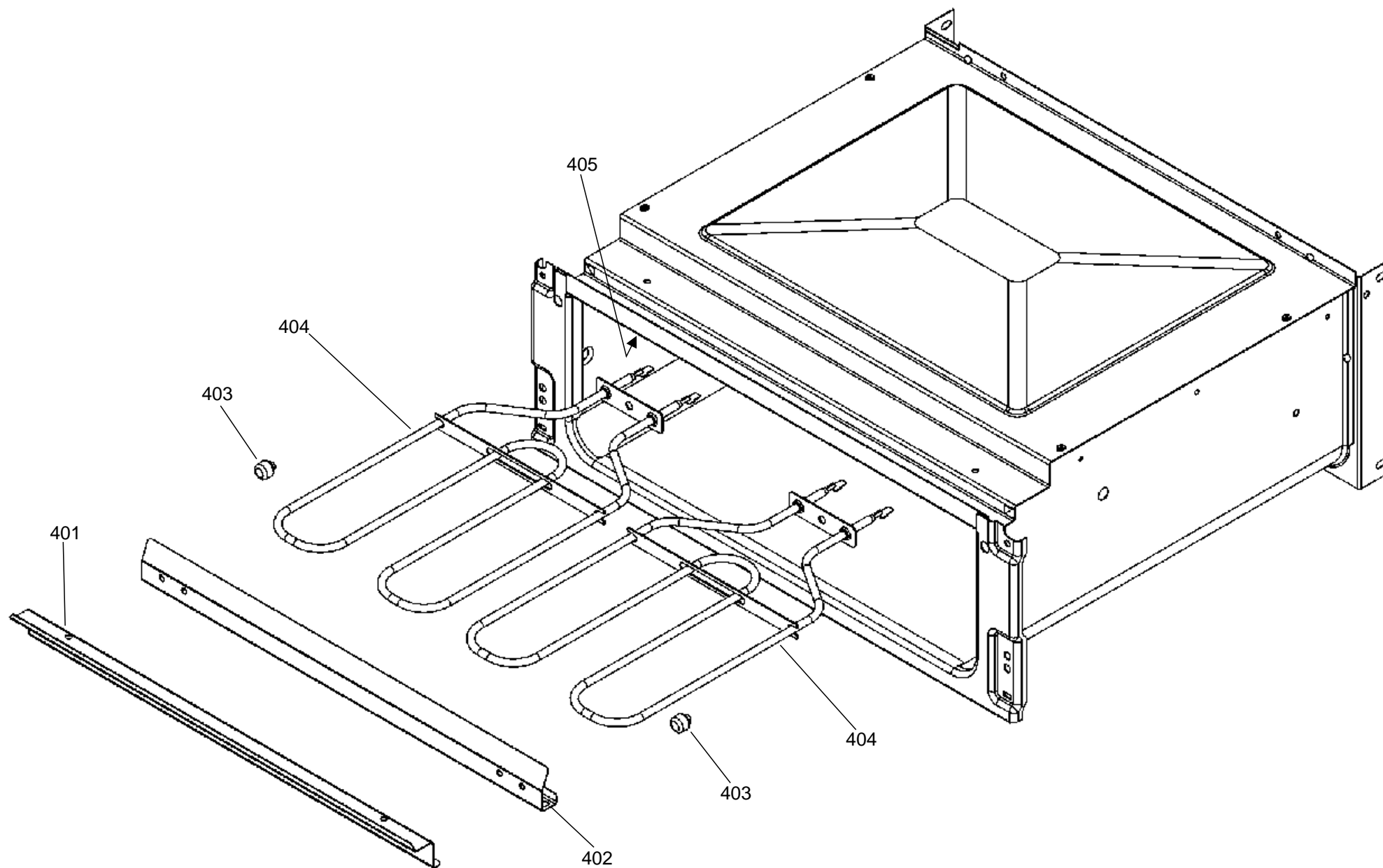


FACIA KNOBS AND PLINTH ASSEMBLY

RANGEMASTER LONGSTOCK DELUXE 90 INDUCTION

DATE: 08.05.2019

DSL0783 P04
ISSUE:01

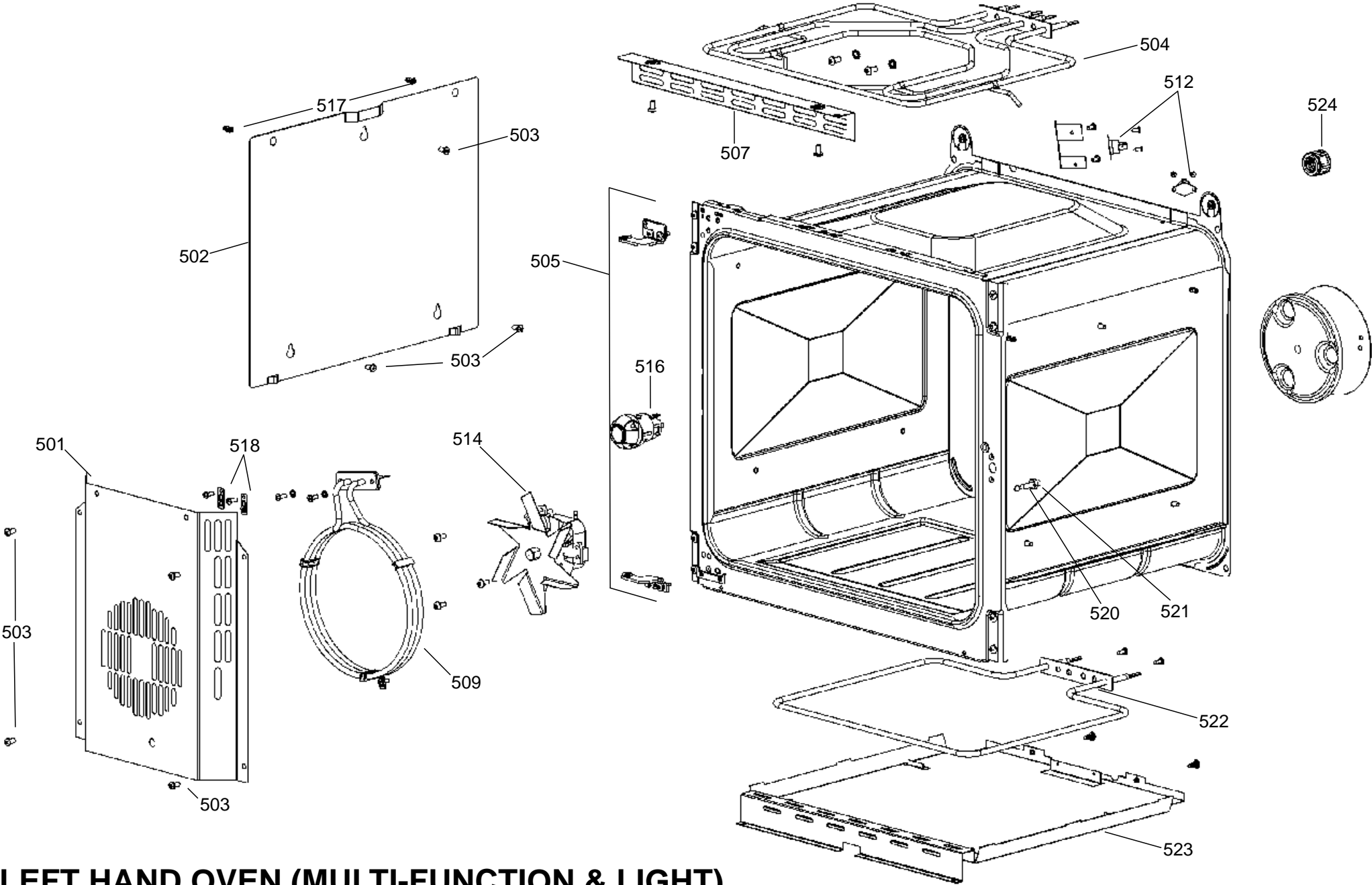


GRILL CHAMBER

RANGEMASTER LONGSTOCK DELUXE 90 INDUCTION

DATE: 08.05.2019

DSL0783 P05
ISSUE:01

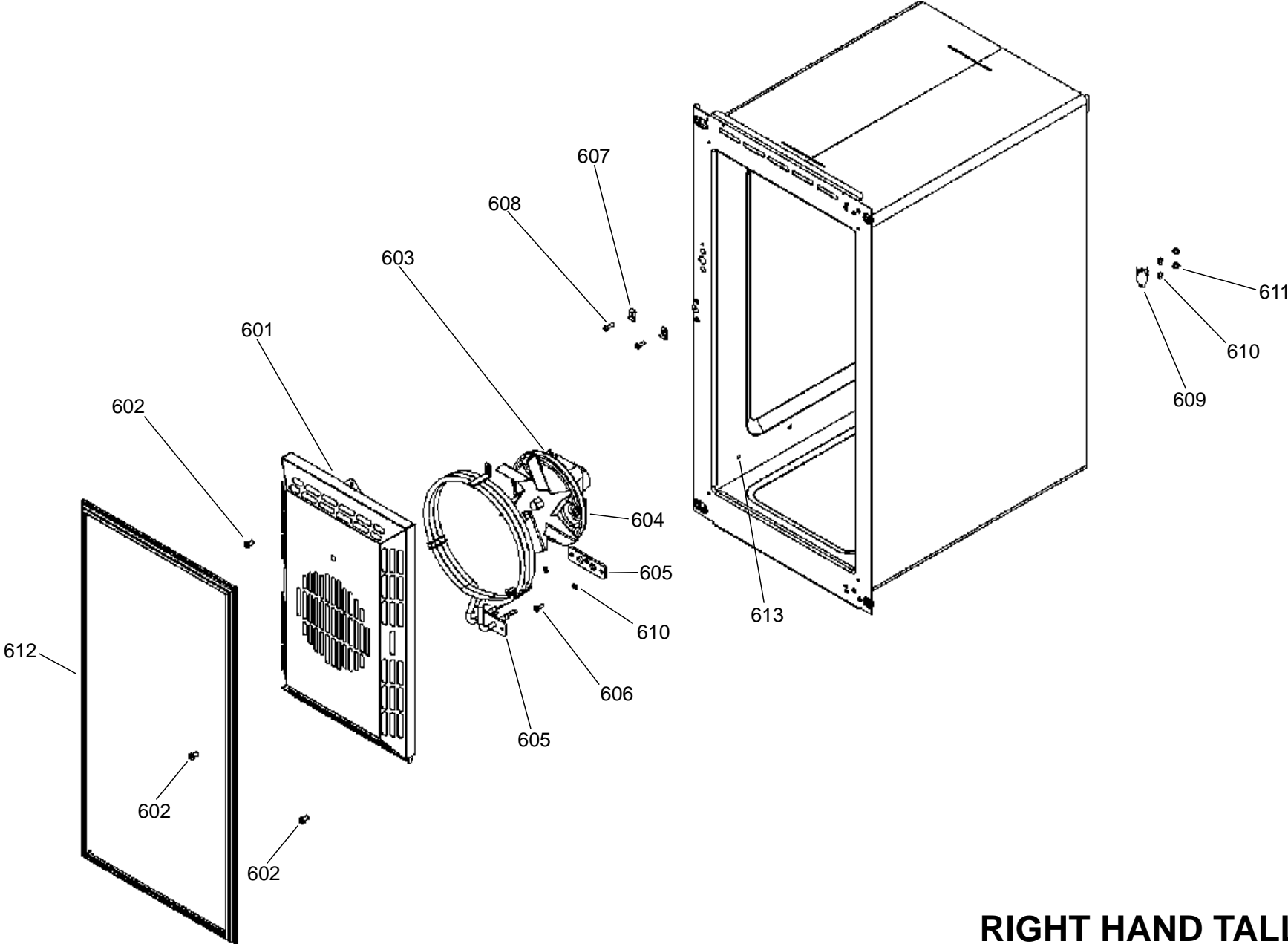


LEFT HAND OVEN (MULTI-FUNCTION & LIGHT)

RANGEMASTER LONGSTOCK DELUXE 90 INDUCTION

DATE: 08.05.2019

DSL0783 P06
ISSUE:01

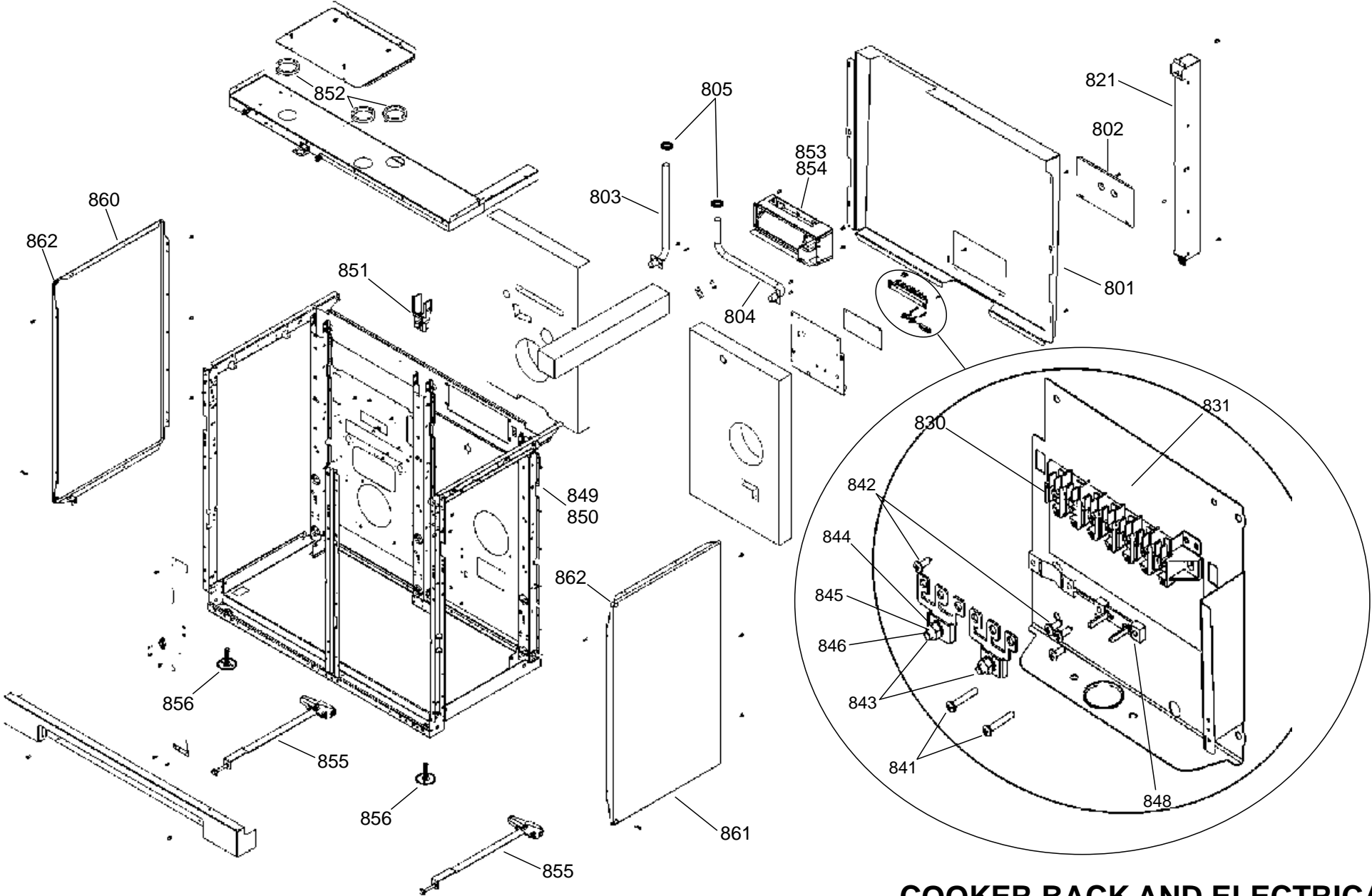


RIGHT HAND TALL OVEN

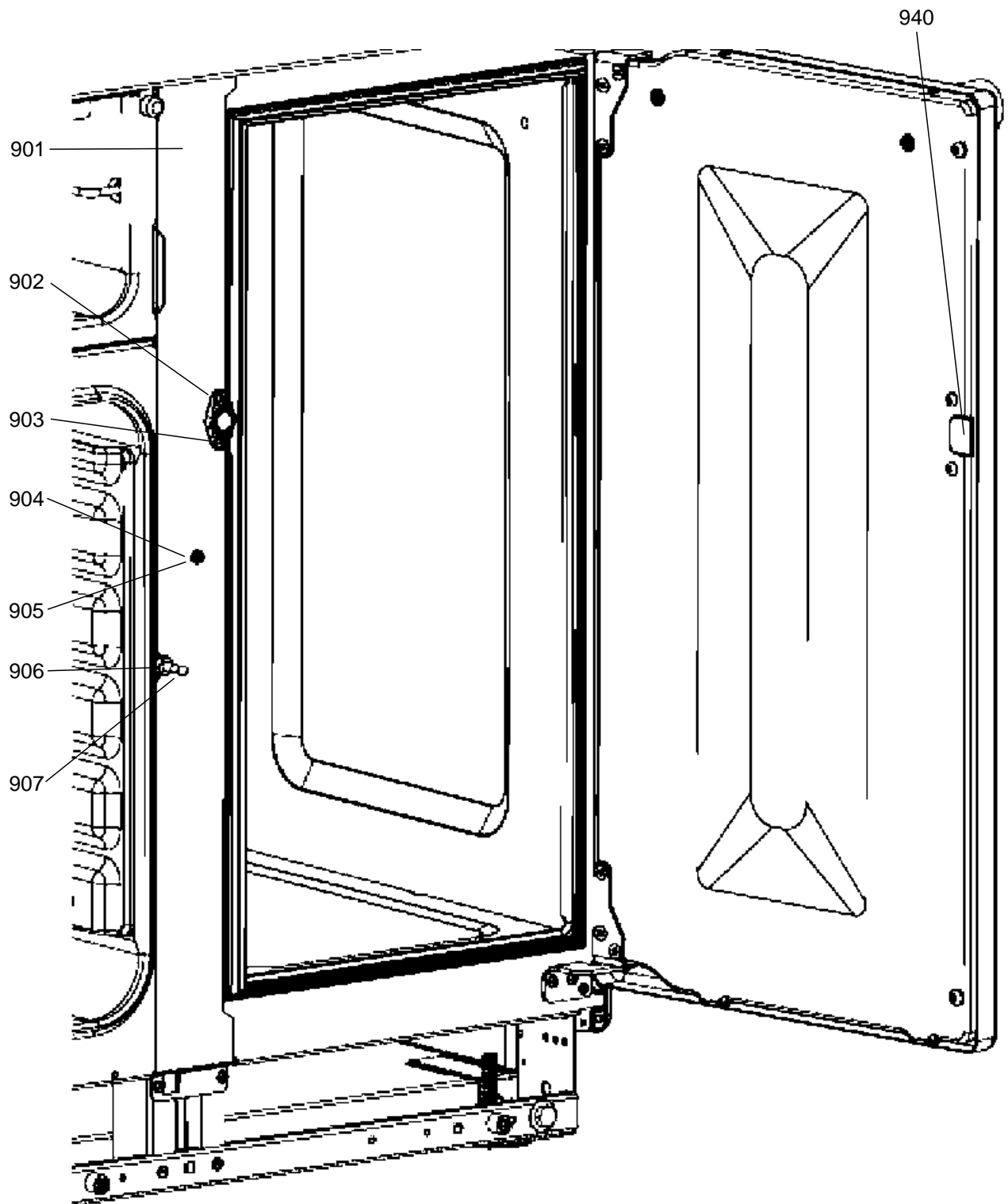
RANGEMASTER LONGSTOCK DELUXE 90 INDUCTION

DATE: 08.05.2019

DSL0783 P08
ISSUE:01



COOKER BACK AND ELECTRICAL



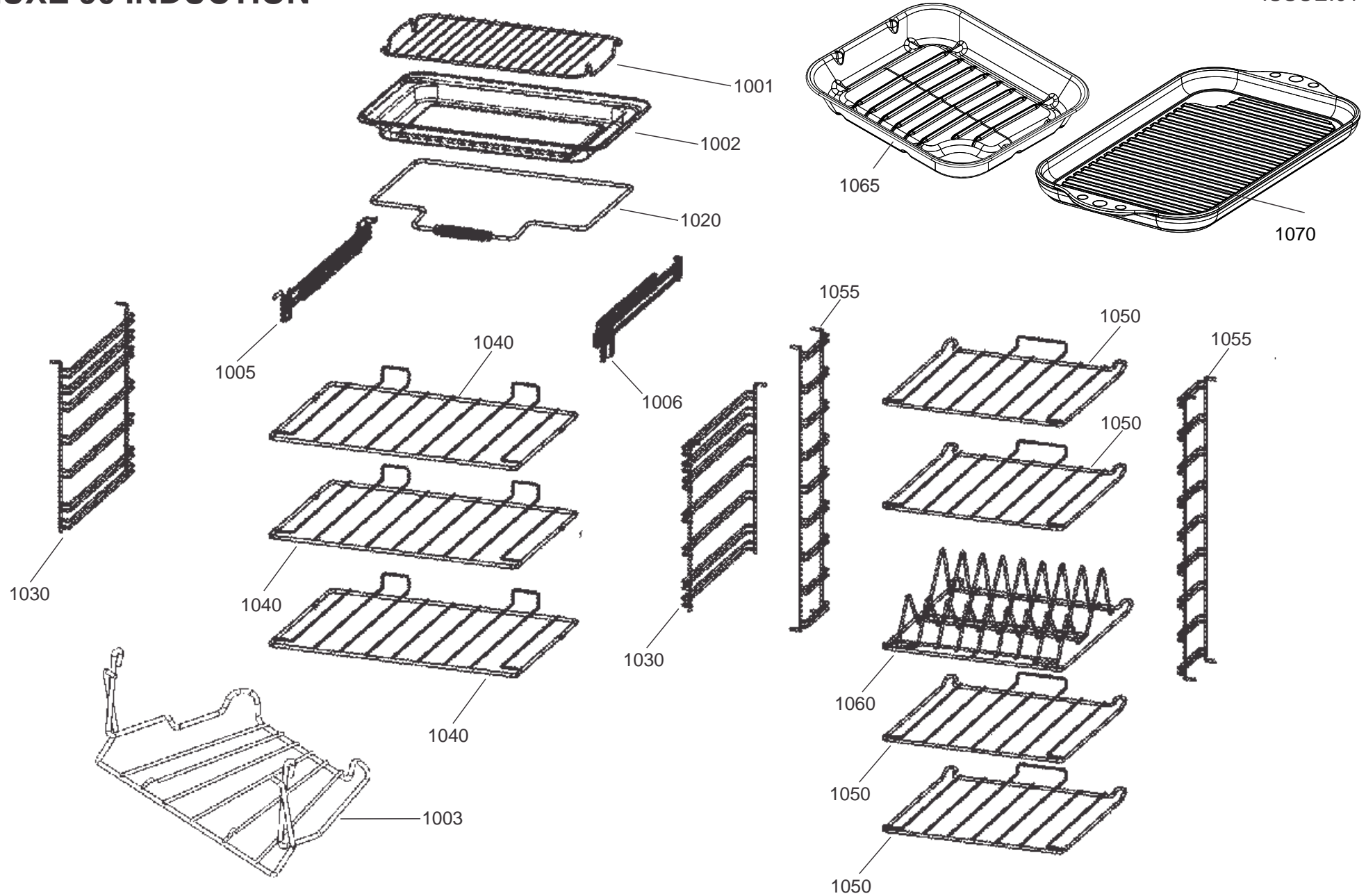
CHASSIS ASSEMBLY

RANGEMASTER LONGSTOCK DELUXE 90 INDUCTION

DATE: 08.05.2019

DSL0783 P10

ISSUE:01

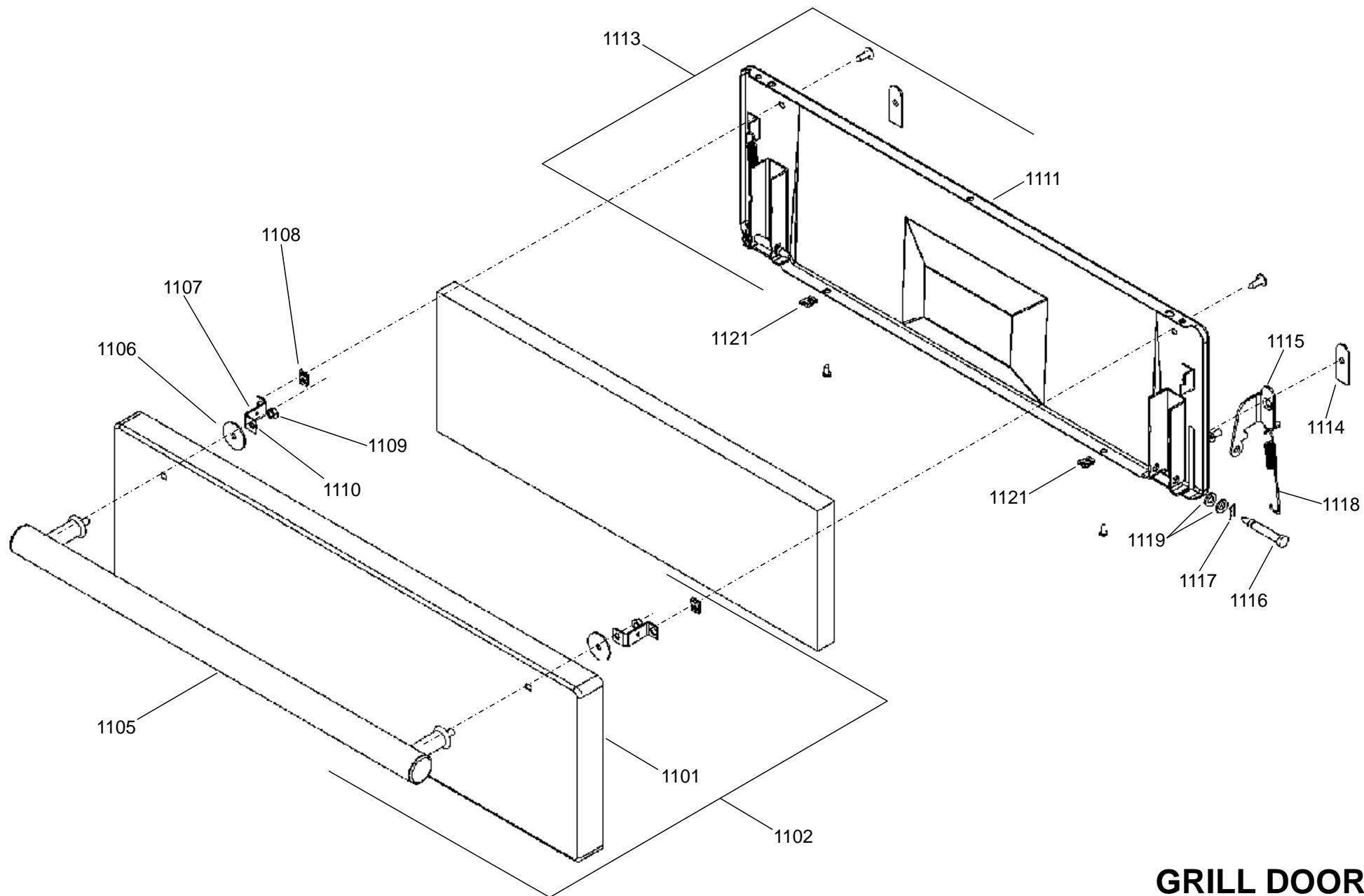


OVEN ACCESSORIES

RANGEMASTER LONGSTOCK DELUXE 90 INDUCTION

DATE: 08.05.2019

DSL0783 P11
ISSUE:01



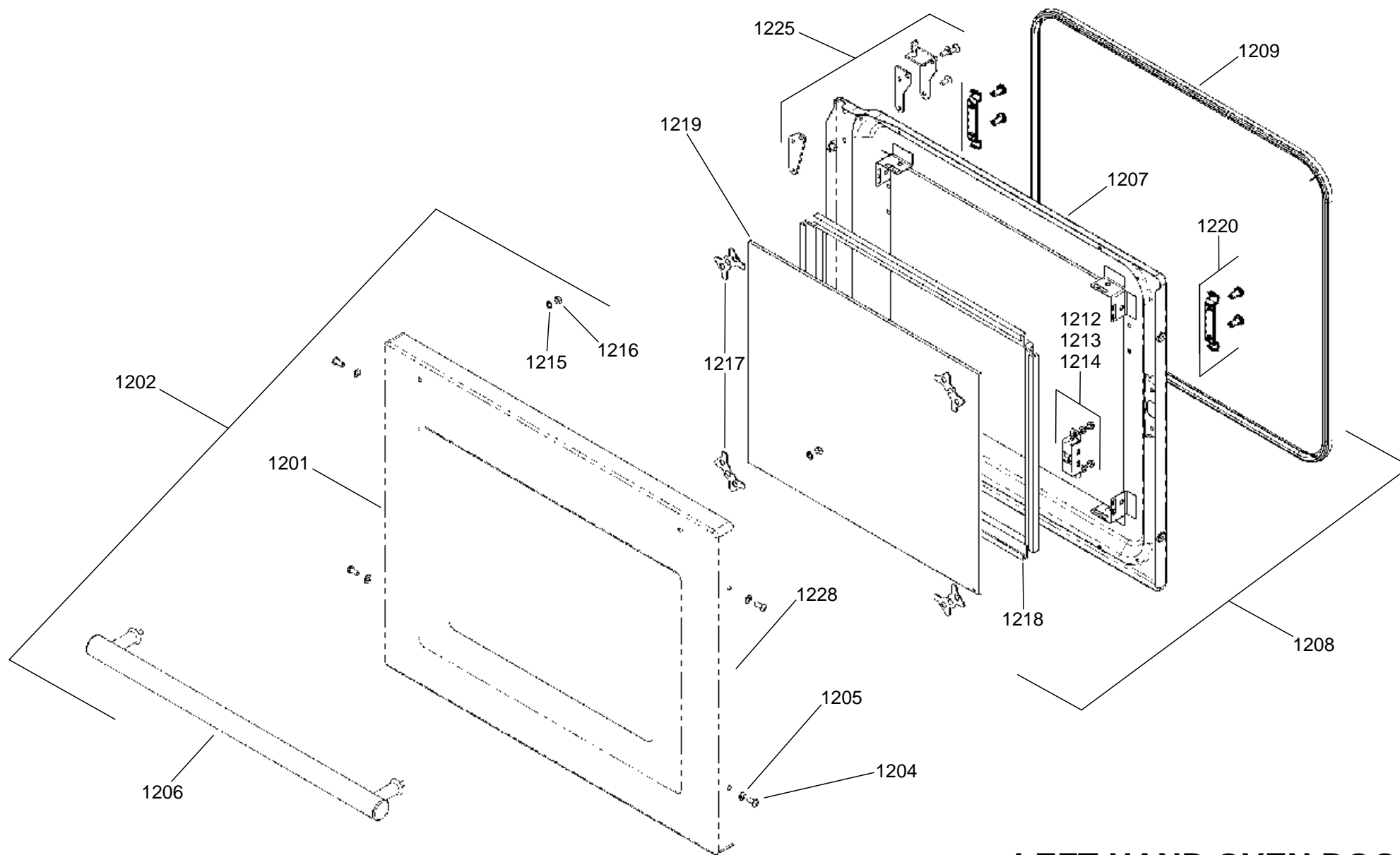
GRILL DOOR

RANGEMASTER LONGSTOCK DELUXE 90 INDUCTION

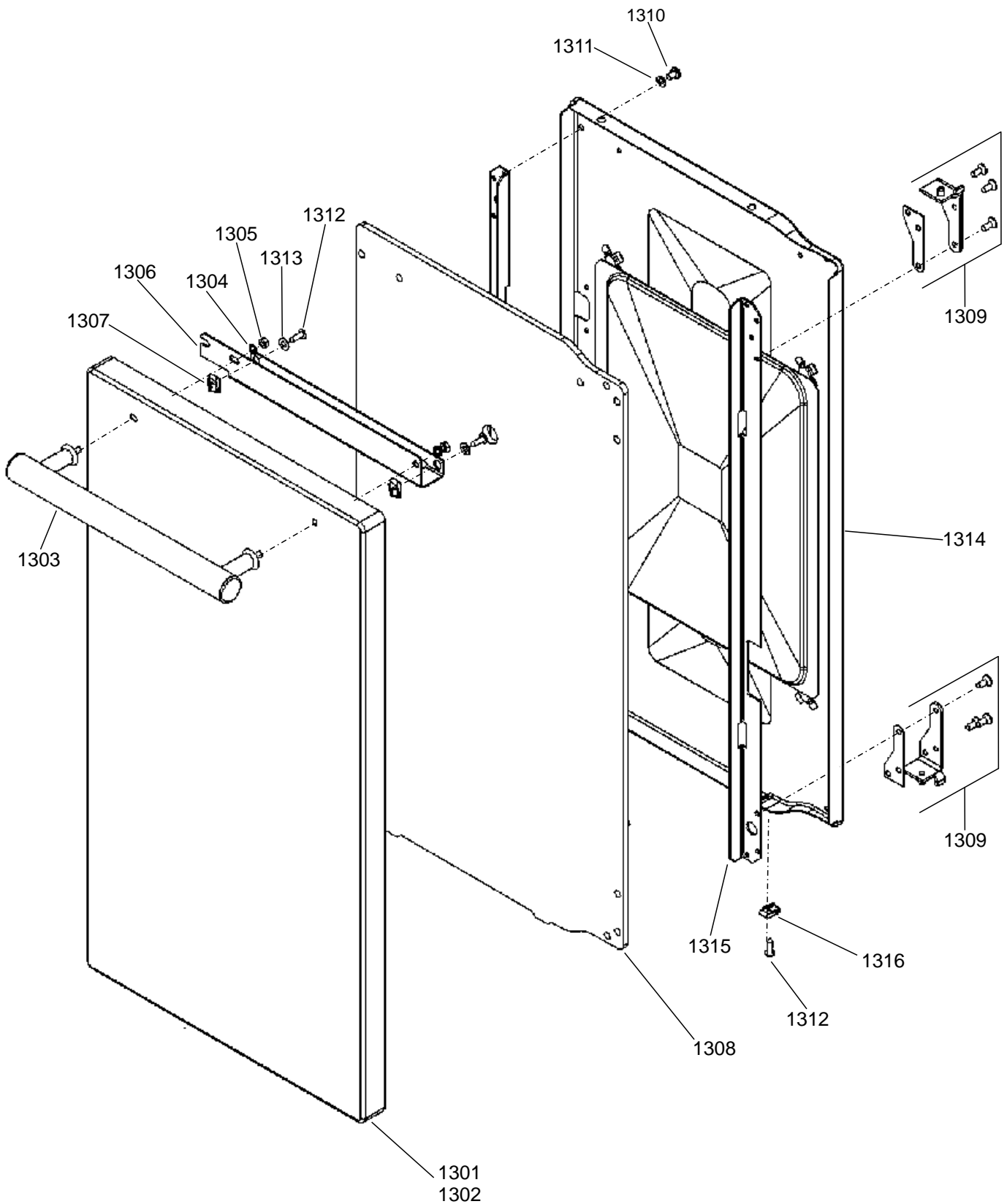
DATE: 08.05.2019

DSL0783 P12

ISSUE:01



LEFT HAND OVEN DOOR



RIGHT HAND OVEN DOOR

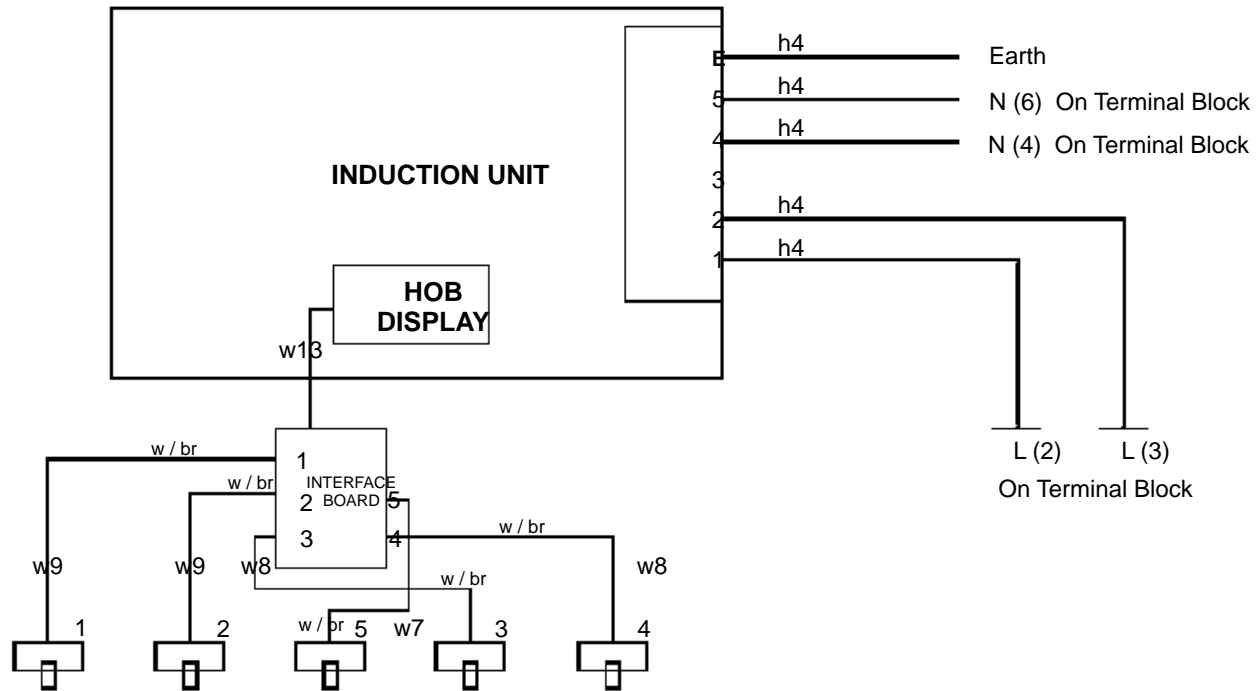
RANGEMASTER LONGSTOCK DELUXE 90 INDUCTION

DATE: 08.05.2019

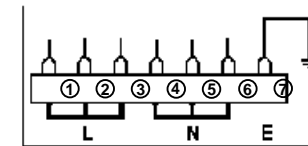
DSL0783 P14
ISSUE: 01

KEY

Code	Description
1	Left Hand Front Coil
2	Left Hand Rear Coil
3	Right Hand Rear Coil
4	Right Hand Front Coil
5	Centre Coil
w/br	White & Brown



Ref Number	Part Number	Colour	Quantity	Remarks
w9	P040924	br	2	Harness - Rotary Control 1 and 2
w7	P043936	br	1	Harness - Rotary Control 5
w8	P043937	br	2	Harness - Rotary Control 3 and 4
w13	P051766	br	1	Harness - LIN Connection K6 to Interface Board
h4	P051839	br / b / g	1	Harness - Mains Power - Connector Block - Induction Unit
h4	P064446	br / b / gr	1	Harness - Mains Power - Terminal Block - Connector Block



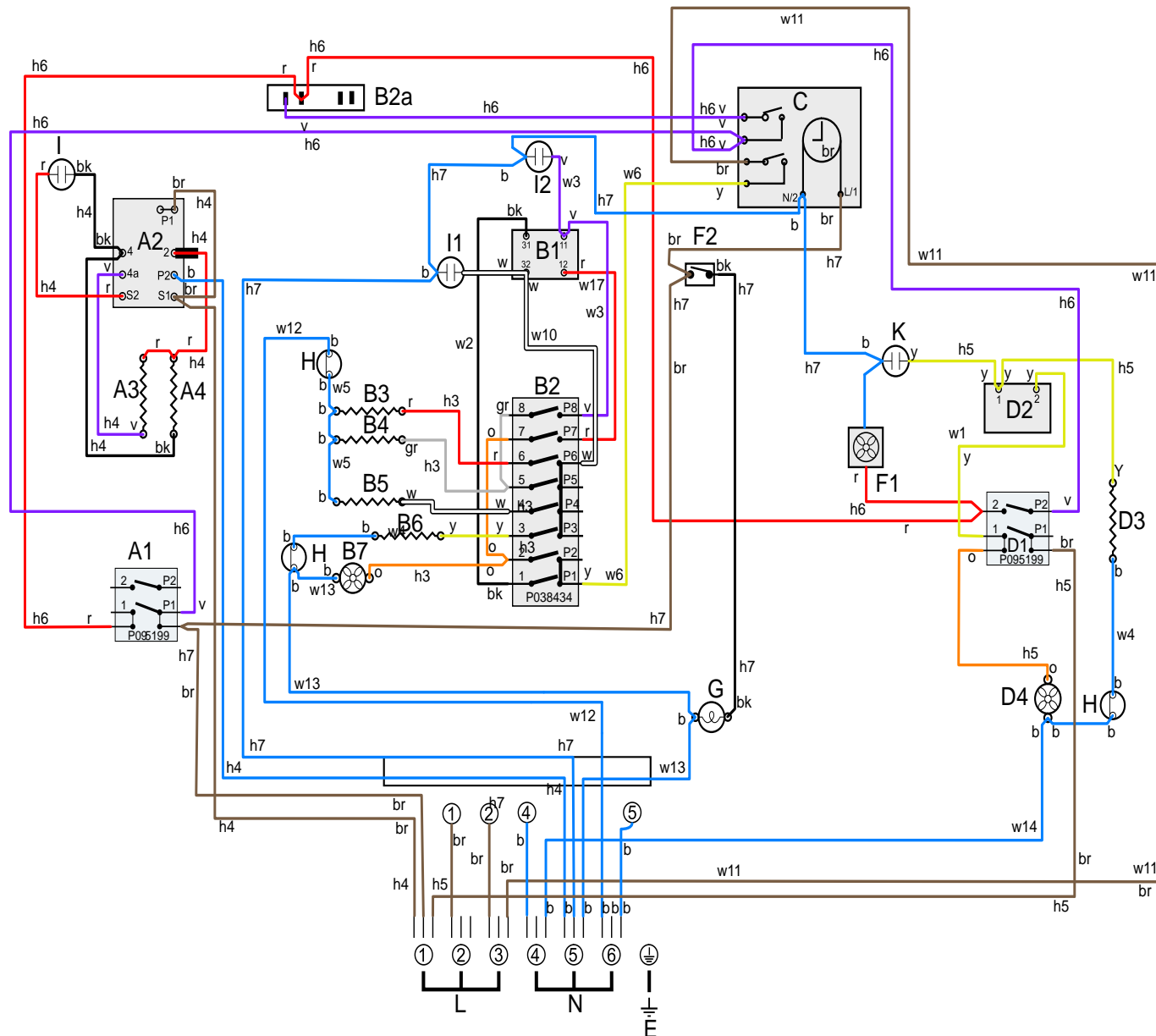
90cm INDUCTION UNIT

INDUCTION UNIT WIRING

RANGEMASTER LONGSTOCK DELUXE 90 INDUCTION

DATE: 08.05.2019

DSL0783 P15
ISSUE:01



Component Identification Key	
A1	Grill Front Switch
A2	Grill Energy Controller
A3	Grill Element Left Hand Side
A4	Grill Element Right Hand Side
B1	Left Hand Multifunction Oven Thermostat
B2	Left Hand Multifunction Oven Control
B2a	Left Hand Multifunction Oven Thermostat Front Switch
B3	Left Hand Multifunction Oven Base Element
B4	Left Hand Multifunction Oven Top Element (Outer)
B5	Left Hand Multifunction Oven Browning Element (Inner)
B6	Left Hand Multifunction Oven Fan Element
B7	Left hand Multifunction Oven Fan
C	Clock
D1	Right Hand Fanned Oven Thermostat
D2	Right Hand Fanned Oven Control
D3	Right Hand Fanned Oven Element
D4	Right Hand Fanned Oven Fan
F1	Cooling Fan
F2	Oven Light Switch
G	Oven Light
H	Thermal Cut-Out
I	Grill Neon
I1	Multi-Function Oven Neon
I2	Rapid Heat-Up Neon
K	Right Hand Oven Neon

Code	Colour
b	Blue
br	Brown
bk	Black
or	Orange
r	Red
v	Violet
w	White
y	Yellow
g/y	Green/Yellow
gr	Grey

WIRING DIAGRAM