

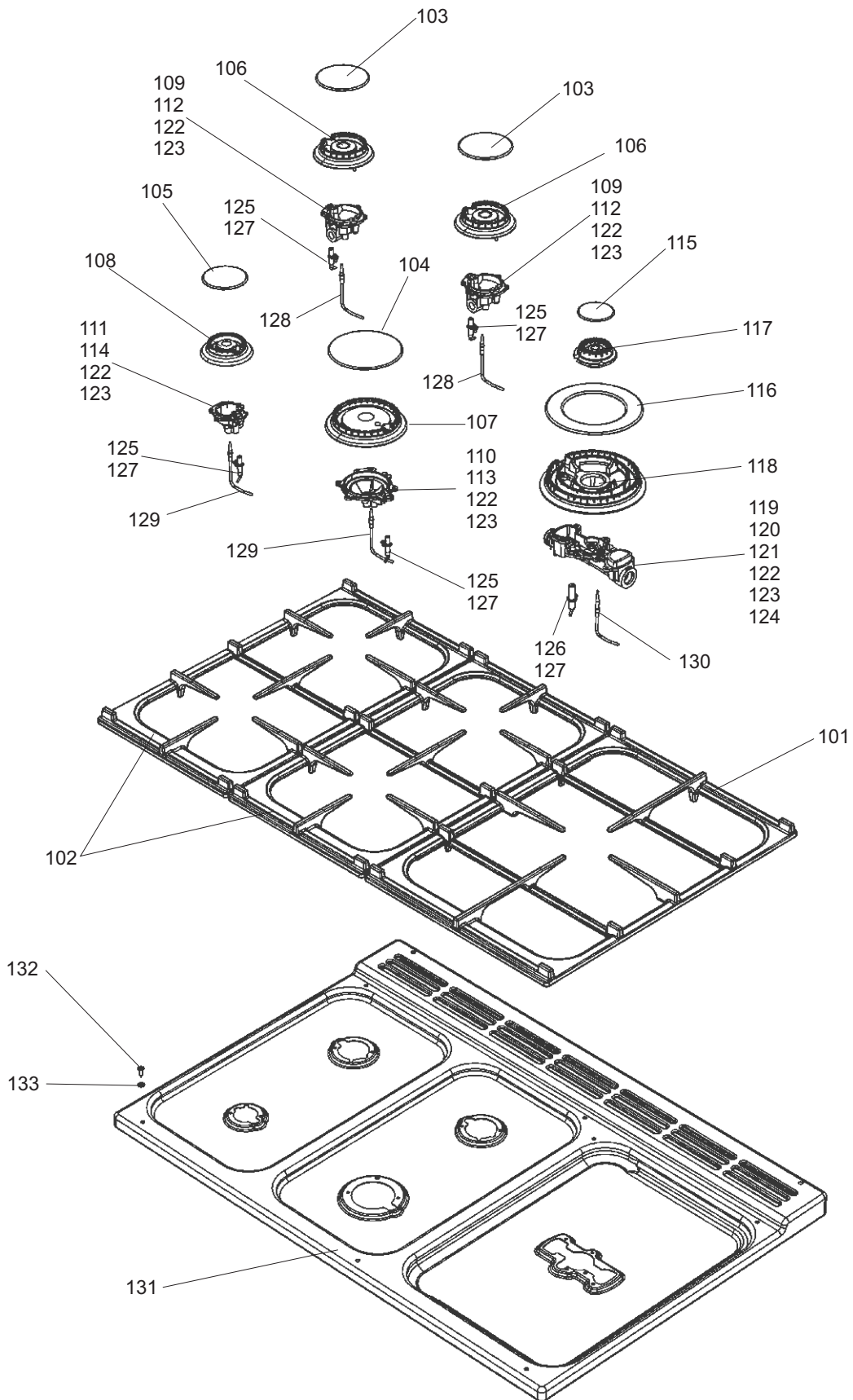
LONGSTOCK DELUXE 90 DF

DATE 14.03.2019

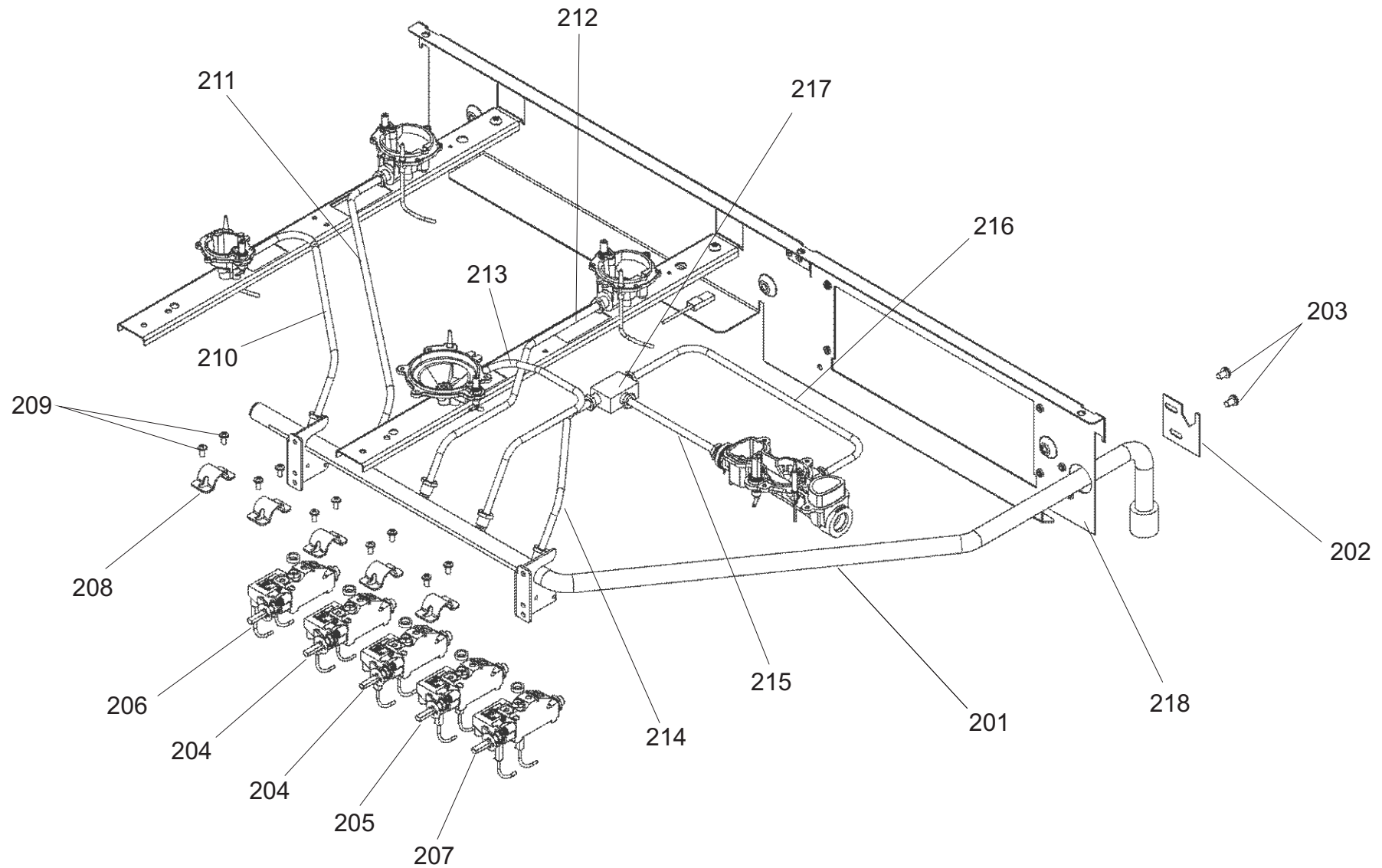
DSL0787 P00

ISSUE 01

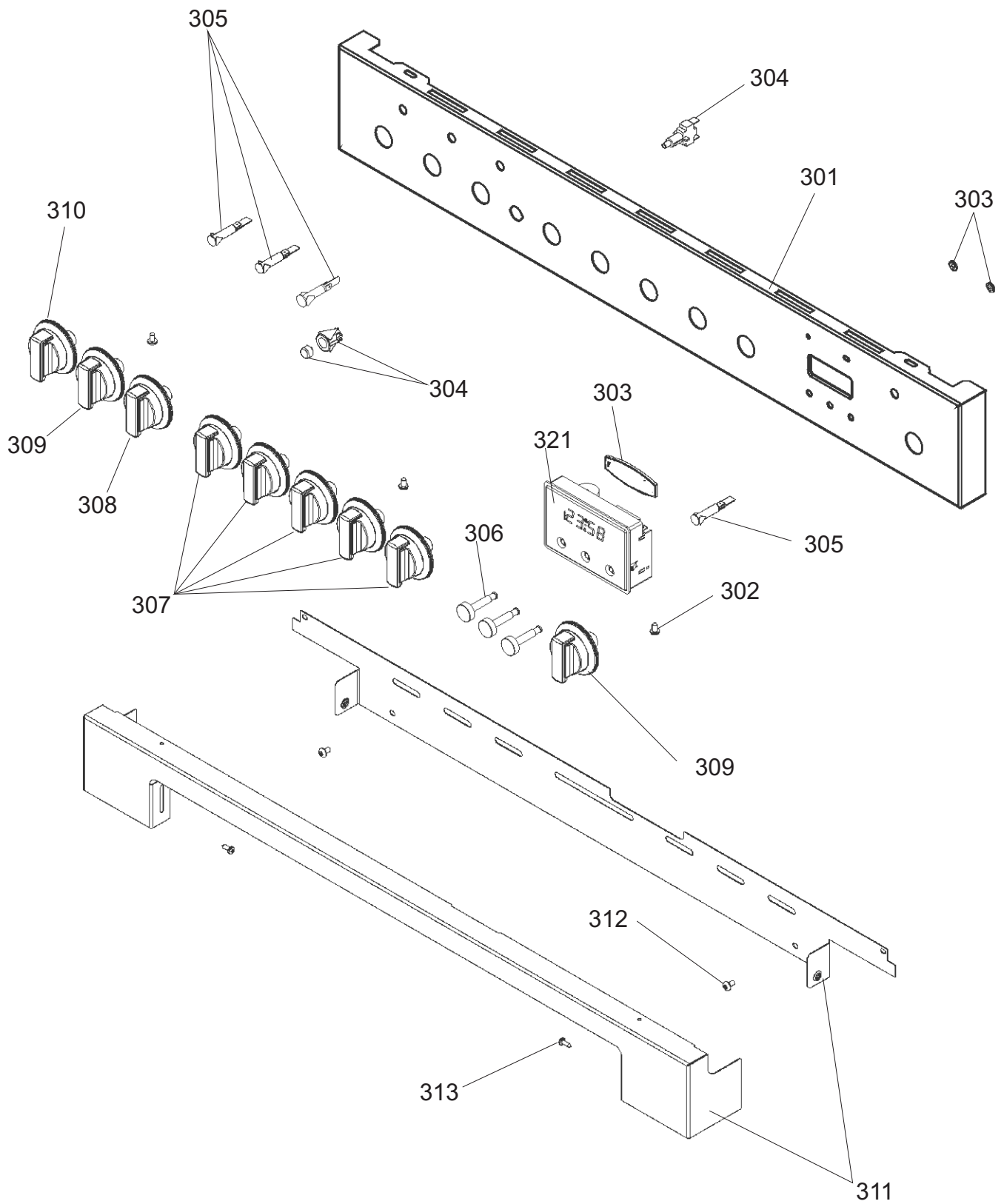




PAN SUPPORTS AND BURNERS



GAS RAIL - TAPS - INJECTORS AND PIPES

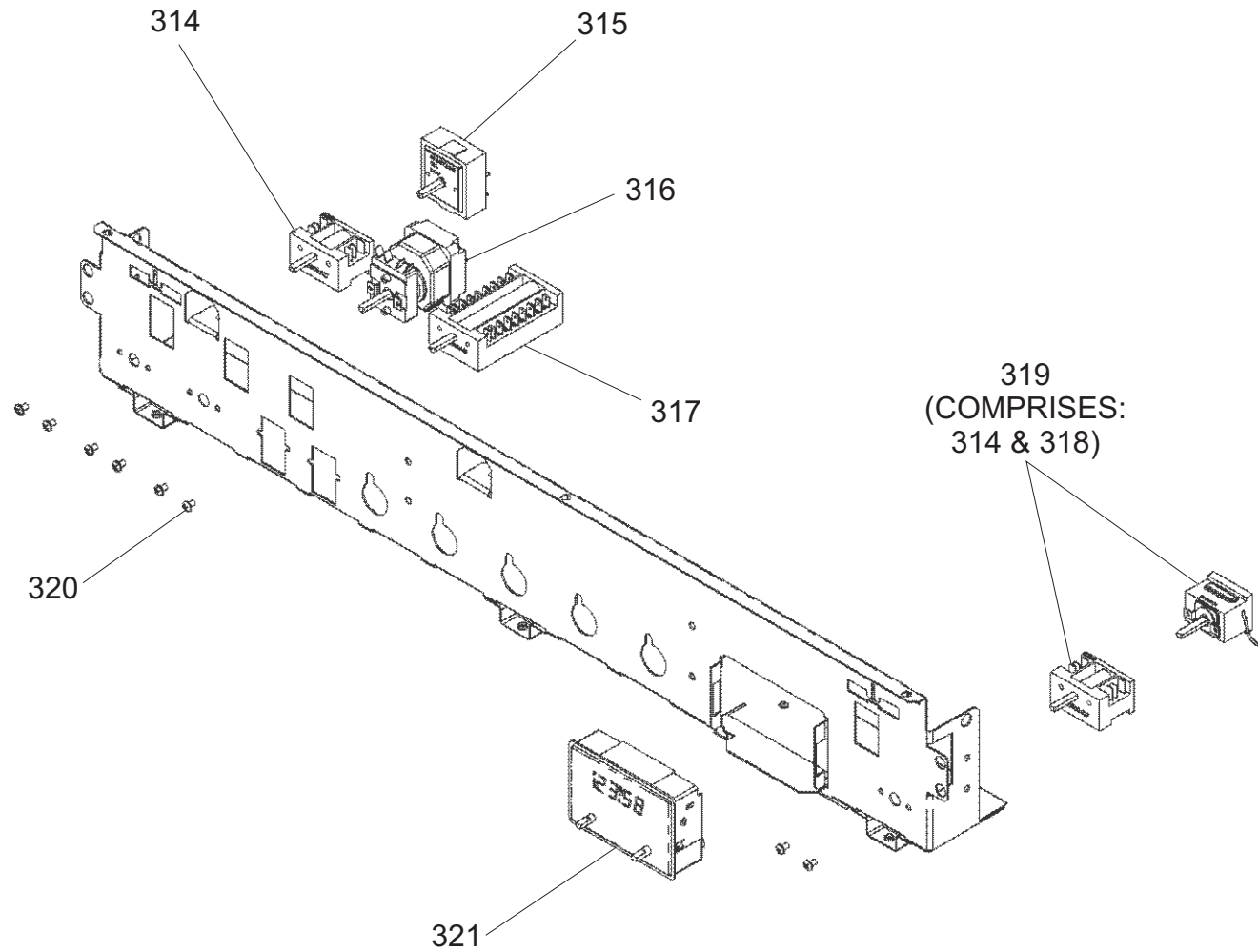


CONTROL - FACIA ASSEMBLY AND PLINTH

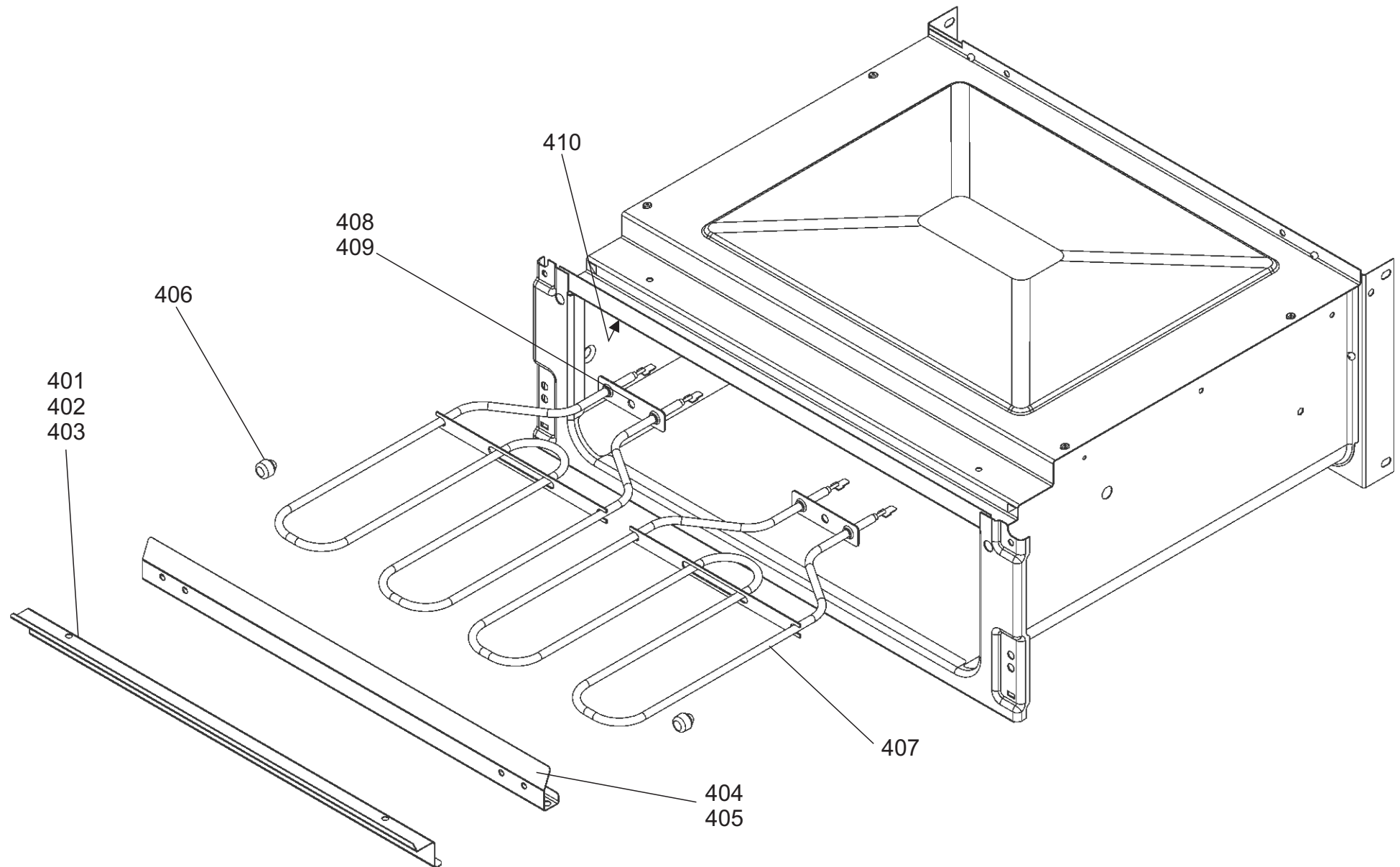
LONGSTOCK DELUXE 90 DF

DATE 06.03.17

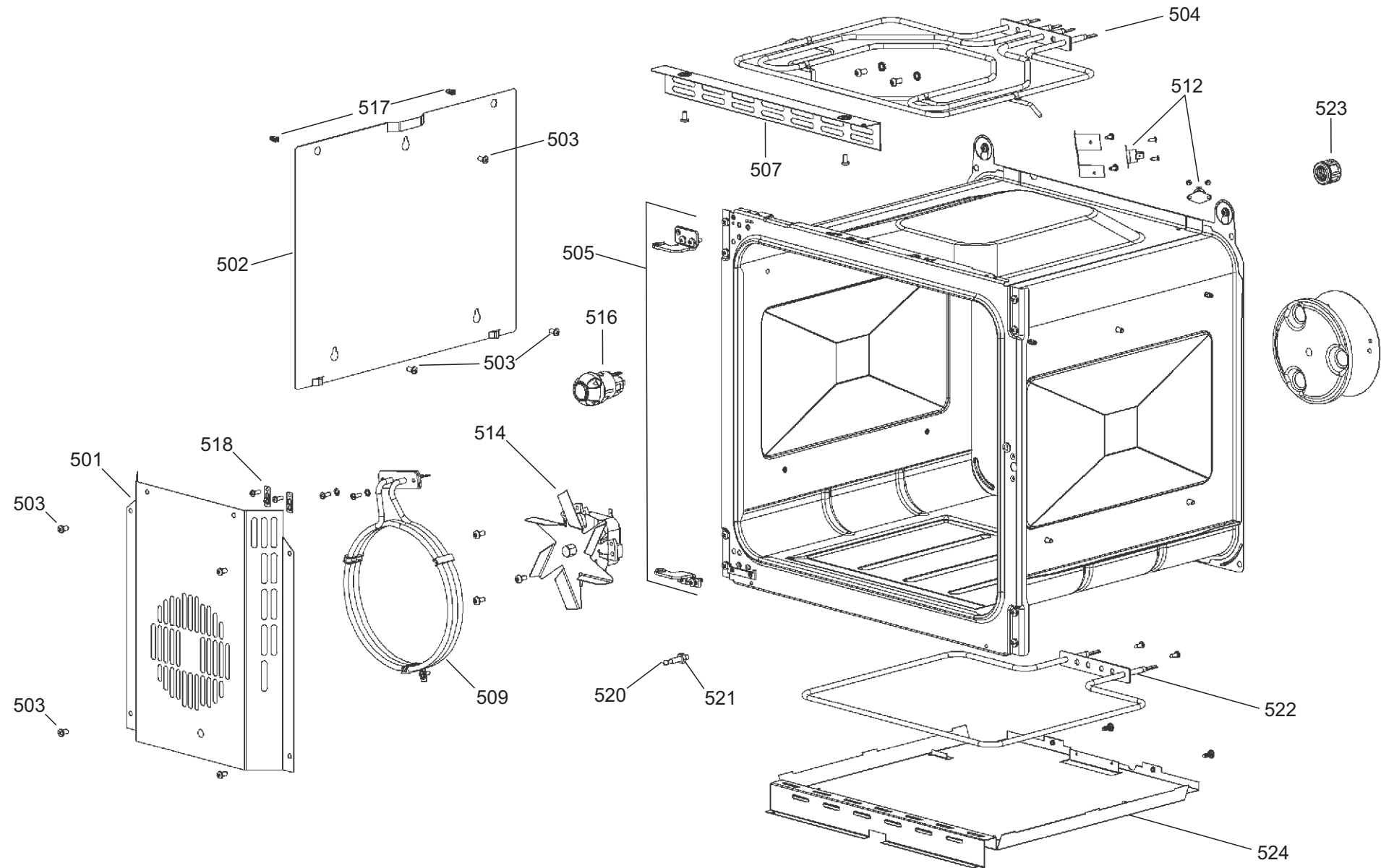
DSL0787 P03A
ISSUE 01



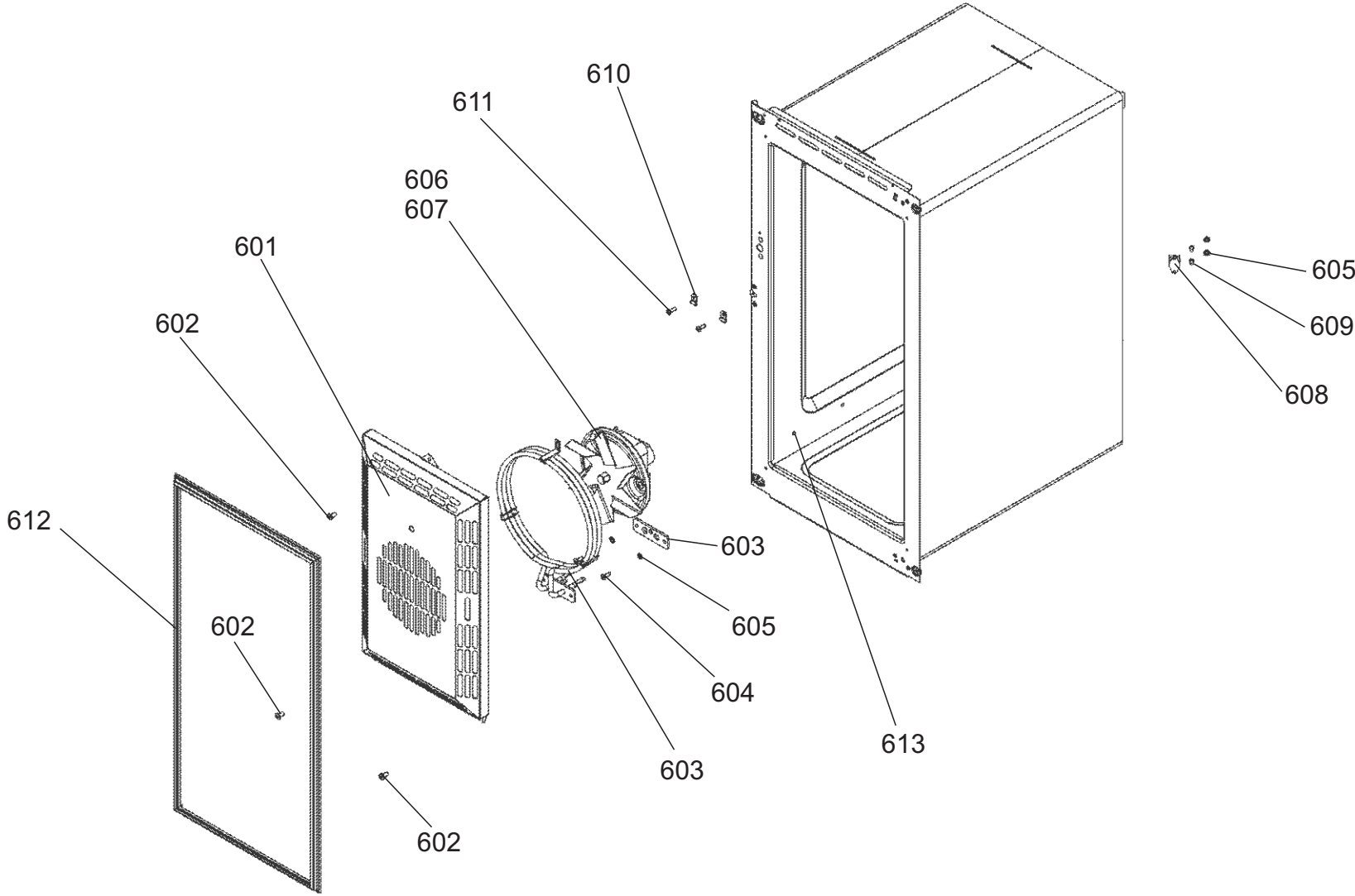
CONTROL ASSEMBLY



GRILL CHAMBER



LEFT HAND OVEN (MULTI-FUNCTION & LIGHT)

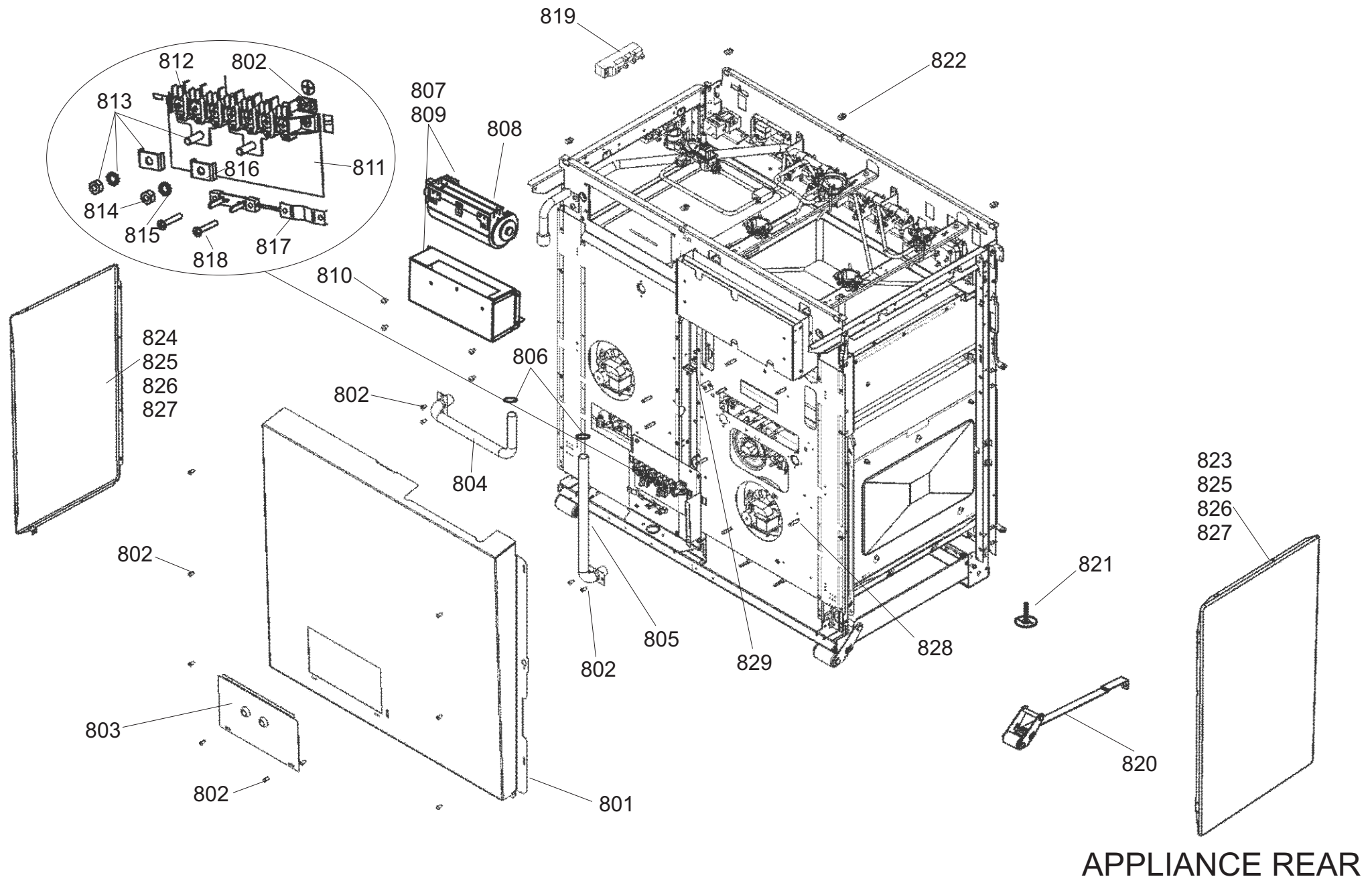


TALL OVEN

LONGSTOCK DELUXE 90 DF

DATE 14.03.2019

DSL0787 P08
ISSUE 01

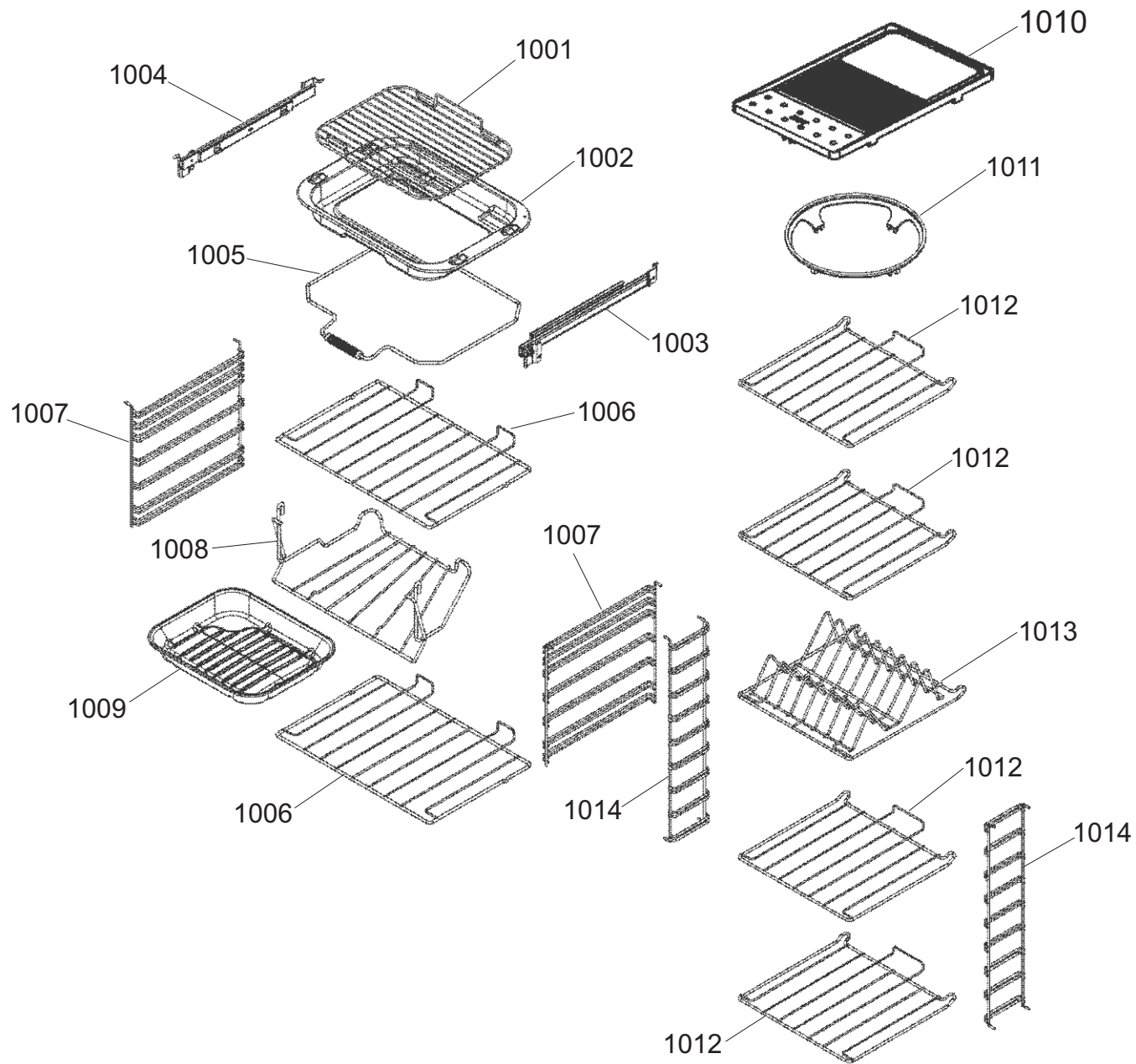


APPLIANCE REAR

LONGSTOCK DELUXE 90 DF

DATE 14.03.2019

DSL0787 P10
ISSUE 01

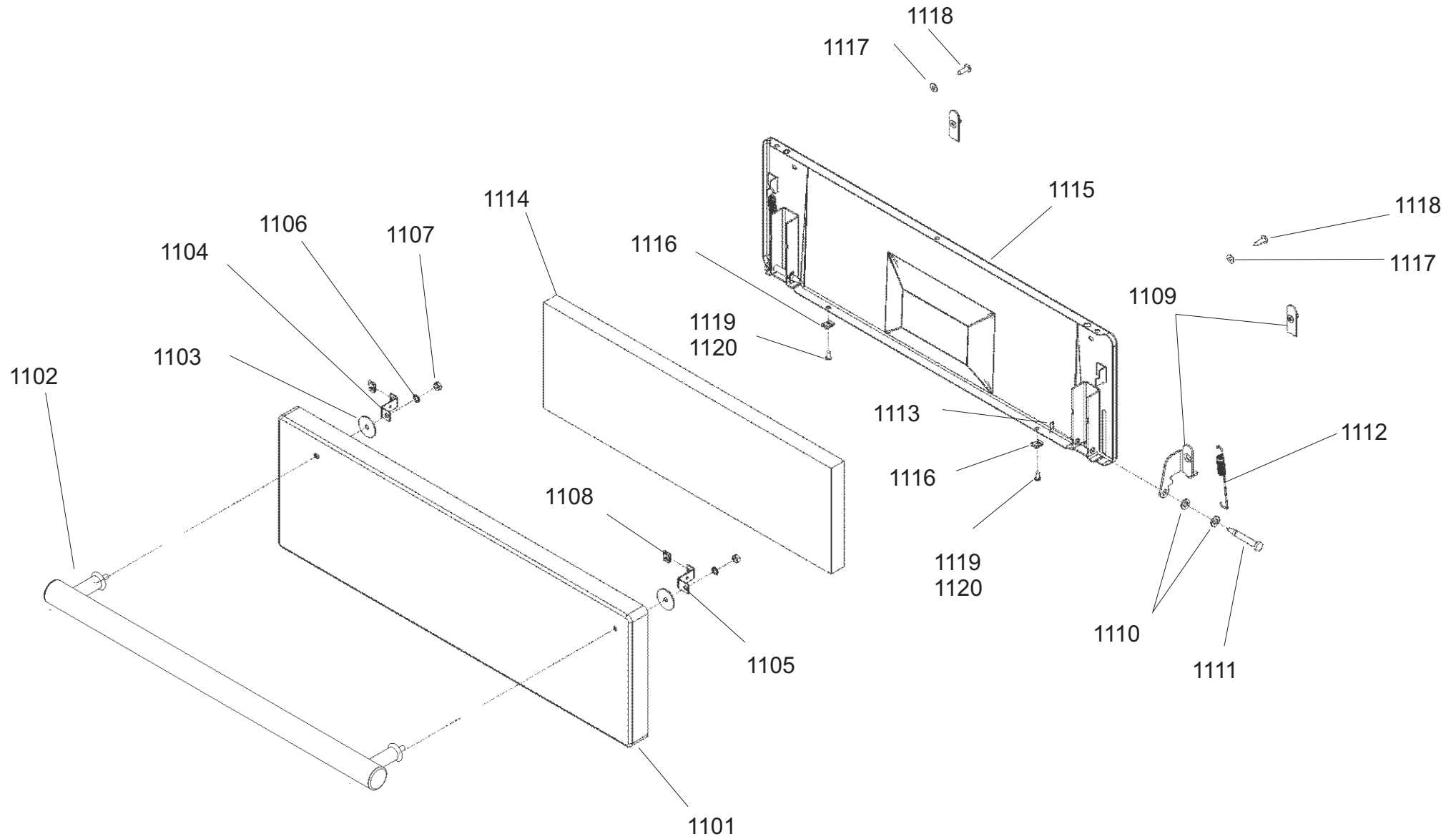


ACCESSORIES

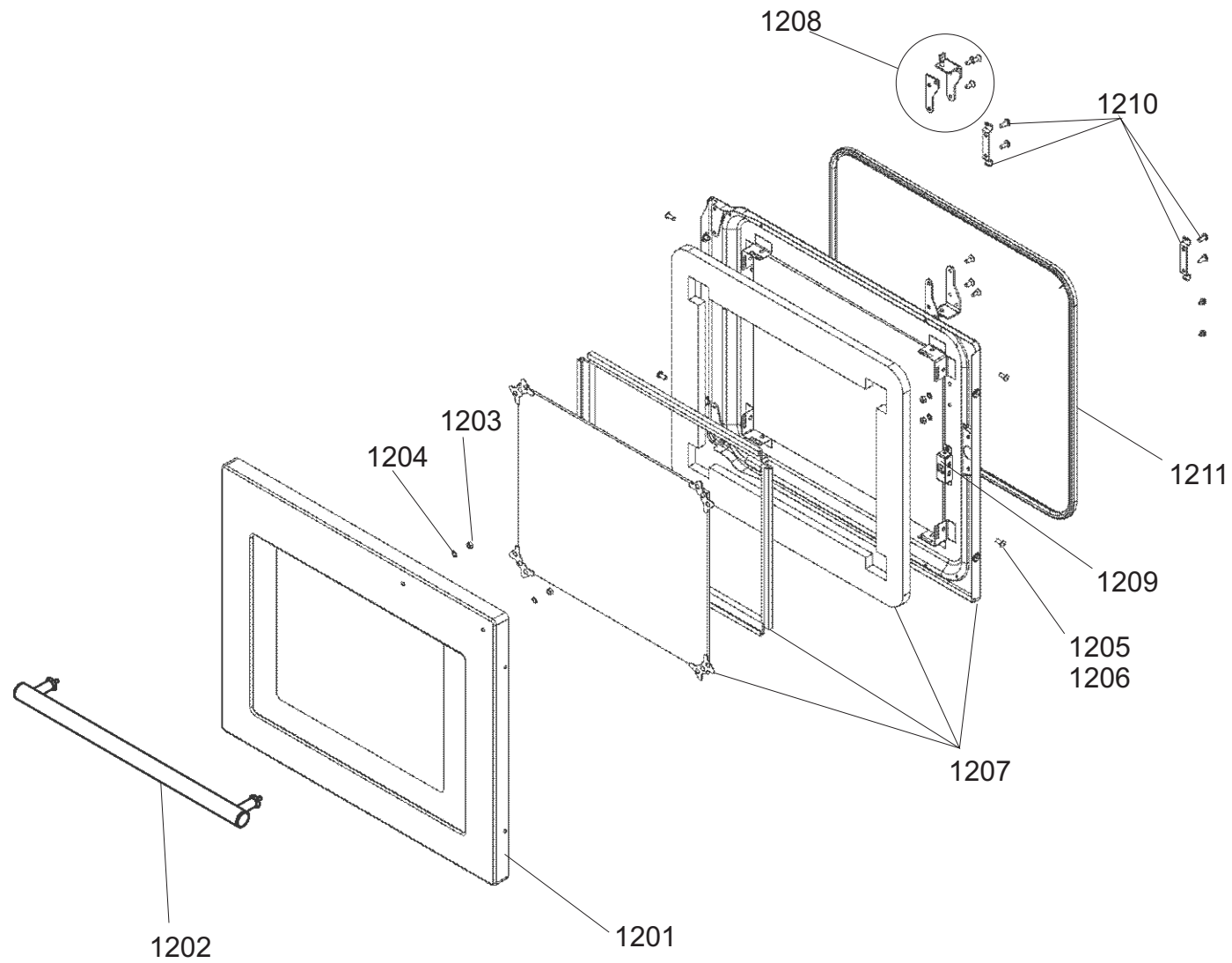
LONGSTOCK DELUXE 90 DF

DATE 14.03.2019

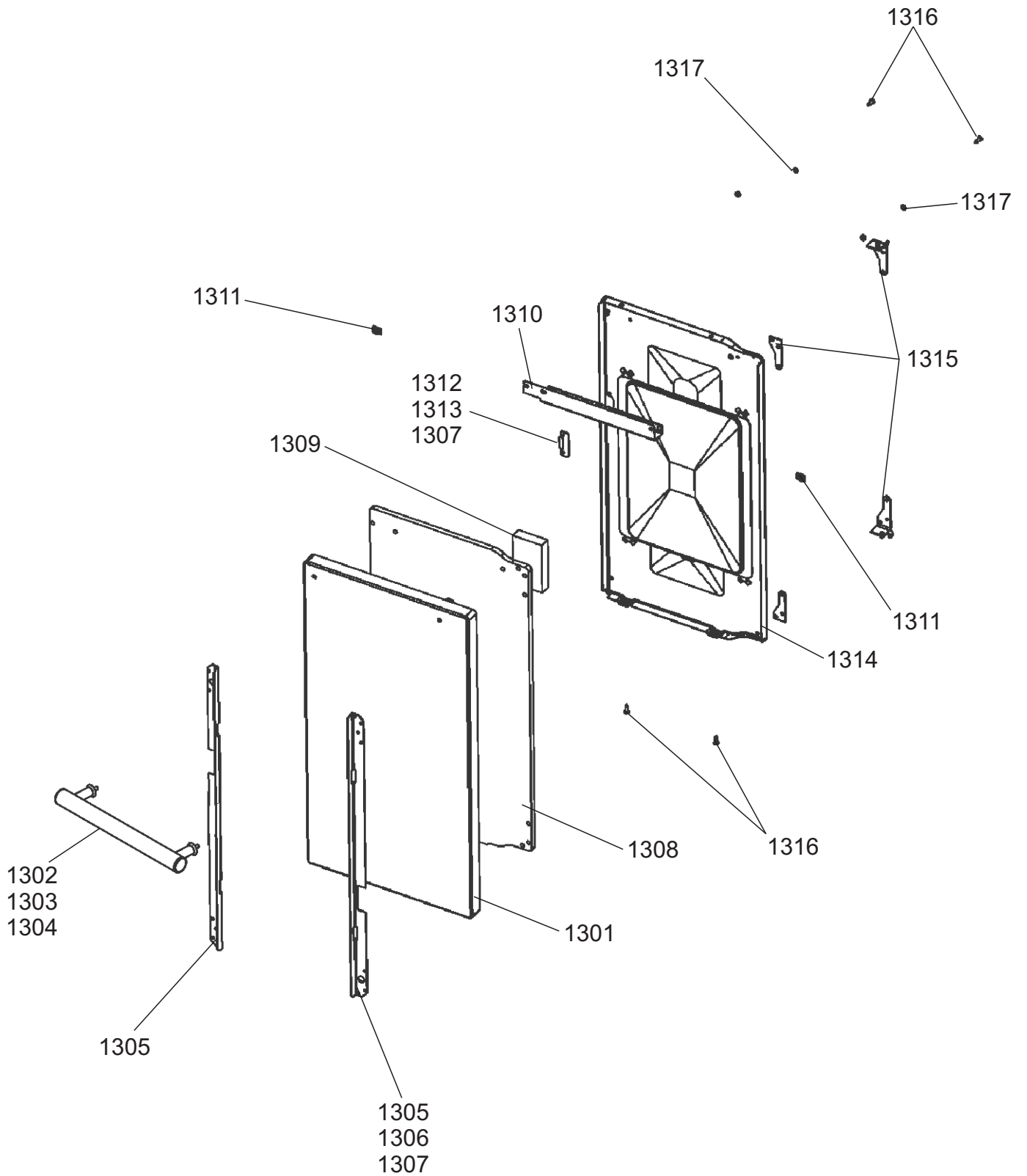
DSL0787 P11
ISSUE 01



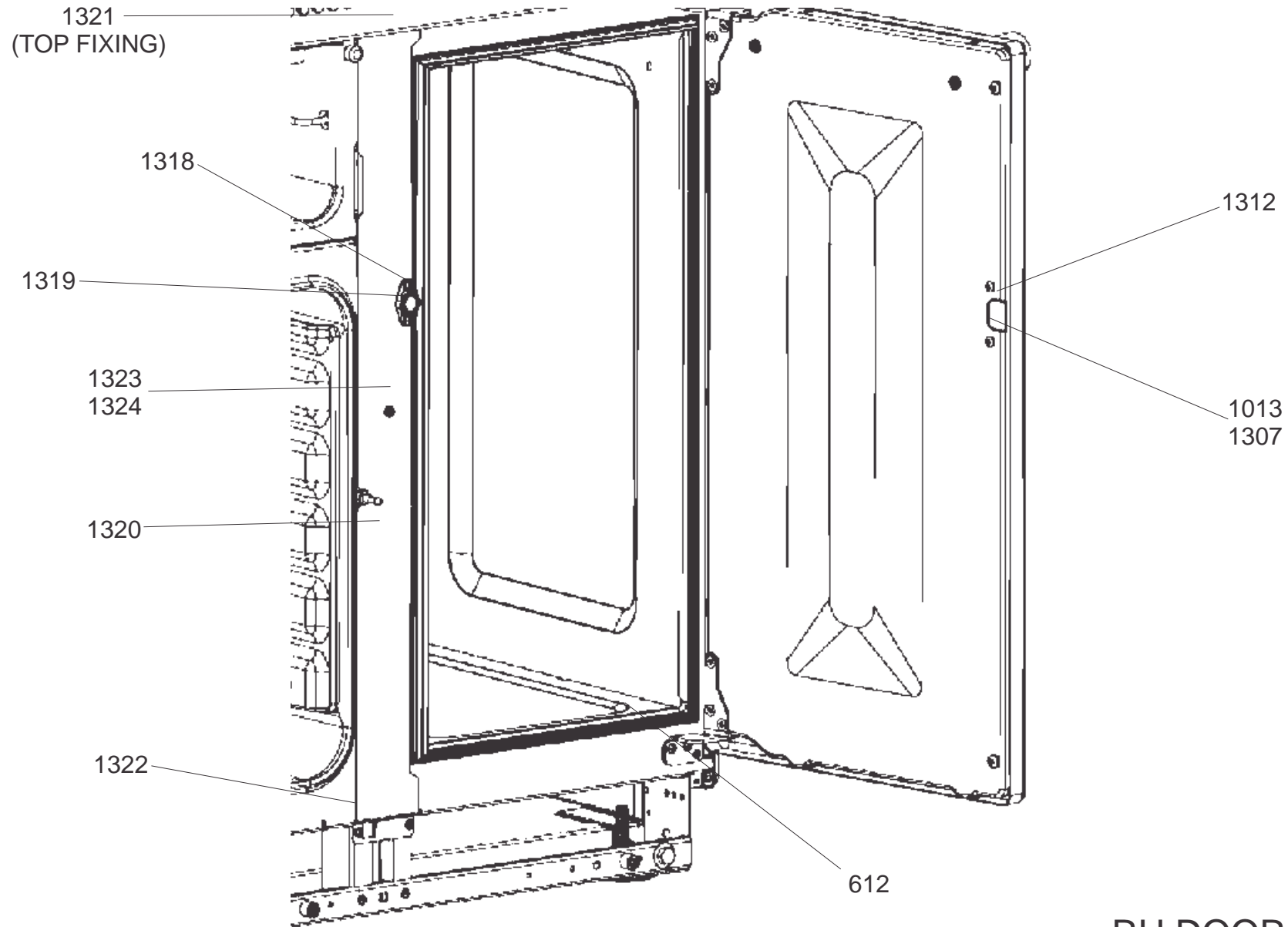
GRILL DOOR



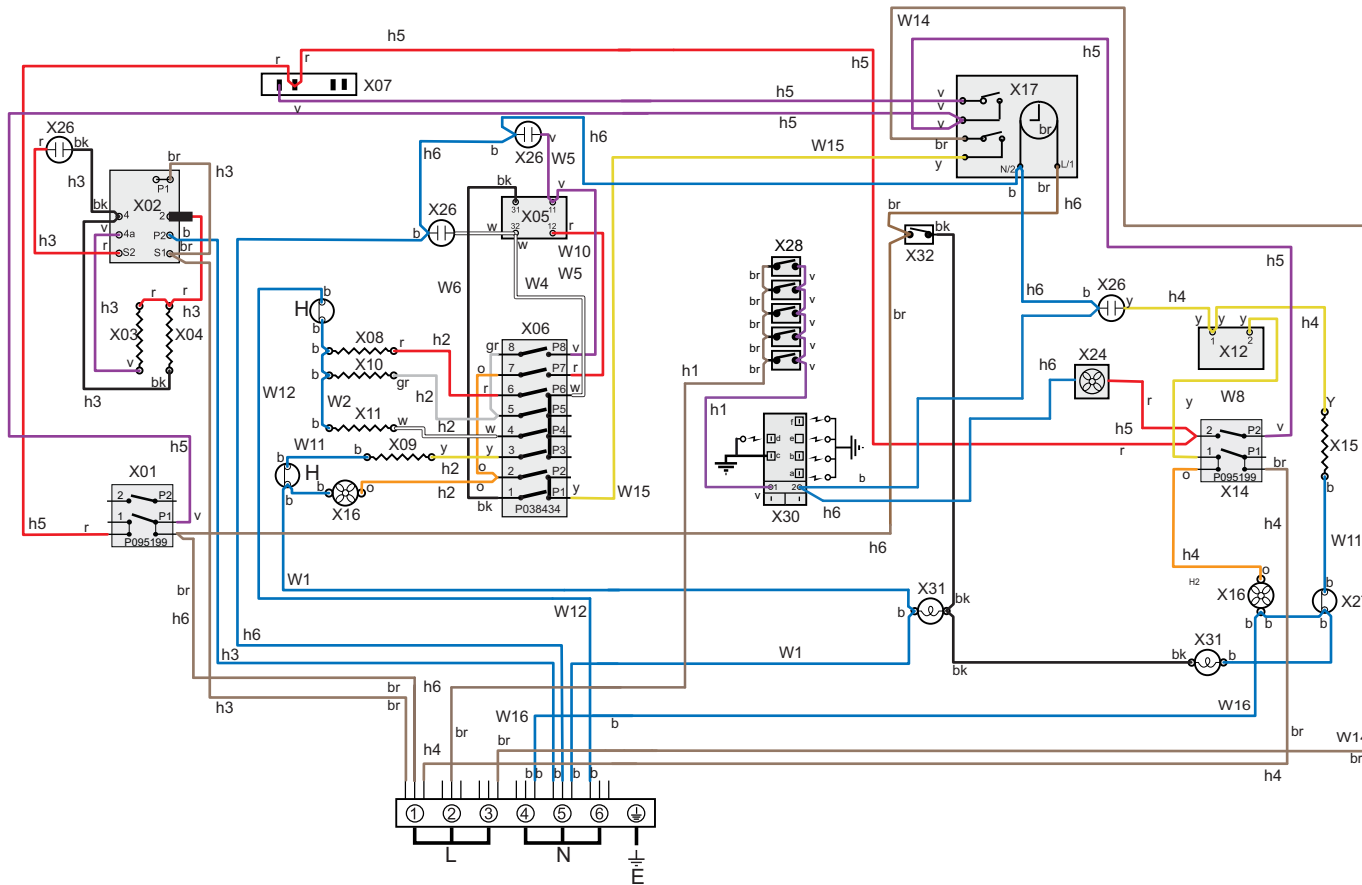
LH OVEN DOOR



RH DOOR



RH DOOR AND INFILL



Code	Description
b	Blue
br	Brown
bk	Black
or	Orange
r	Red
v	Violet
w	White
y	Yellow
g/y	Green / Yellow

Code	Description
X01	Grill Front Switch
X02	Grill Energy Regulator
X03	Grill Elements
X05	Left Hand Oven Thermostat
X06	Left Hand Oven Switch
X07	Left Hand Oven Front Switch
X08	Left Hand Oven Base Element
X09	Left Hand Oven Fan Element
X10	Left Hand Oven Top Outer Element
X11	Left Hand Oven Top Inner Element
X12	Right Hand Oven Thermostat
X14	Right Hand Oven Fan Front Switch
X15	Right Hand Oven Fan Element
X16	Oven Fan
X17	Clock / Timer
X24	Cooling Fan
X26	Neon
X27	Thermal Cut-Out
X28	Ignition Switches
X30	Spark Generator
X31	Oven Light
X32	Oven Light Switch