

**RANGEMASTER LONGSTOCK
DELUXE 110 INDUCTION**

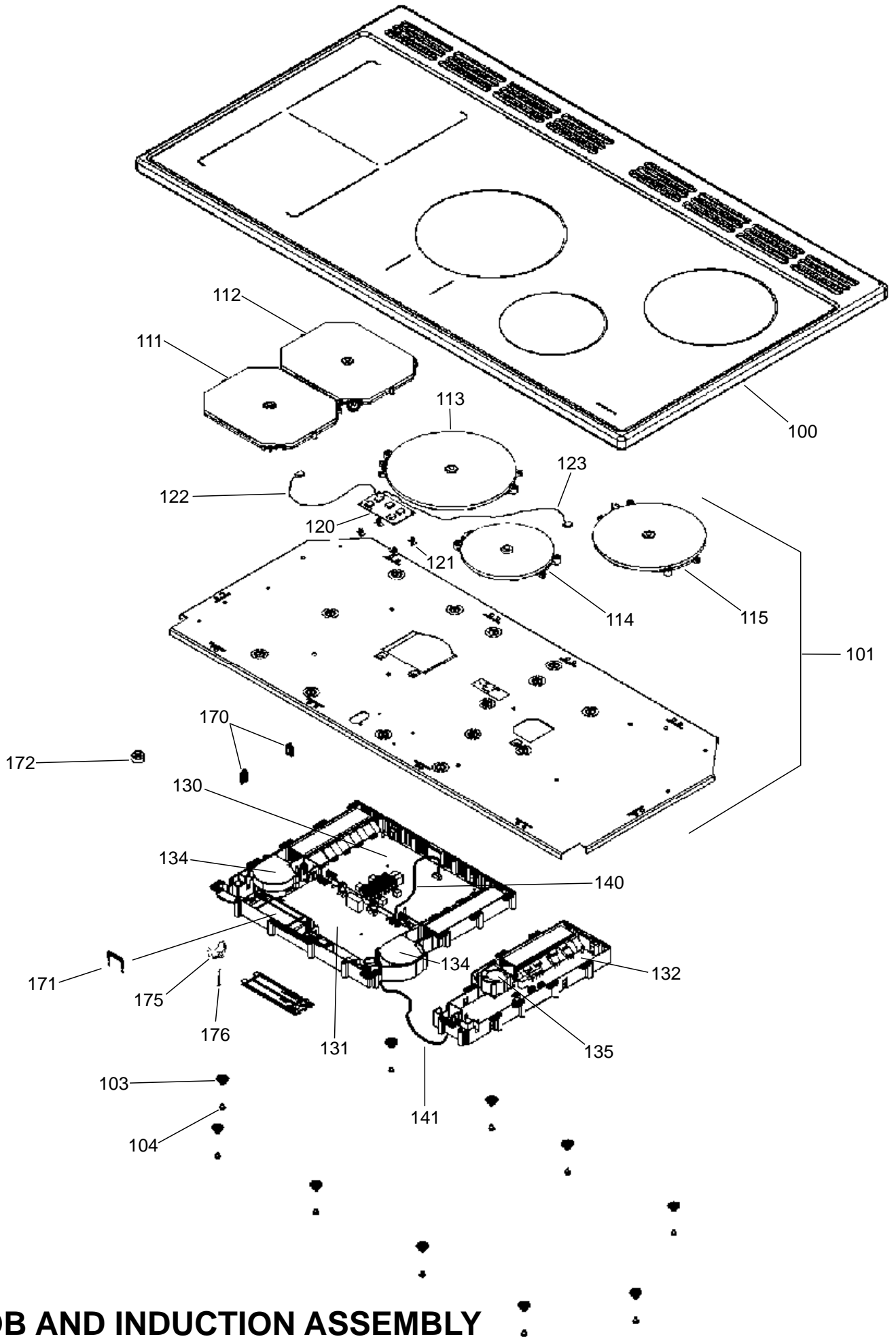
DATE: 29.04.2019

DSL0784 P00

ISSUE:01



OVERALL APPLIANCE

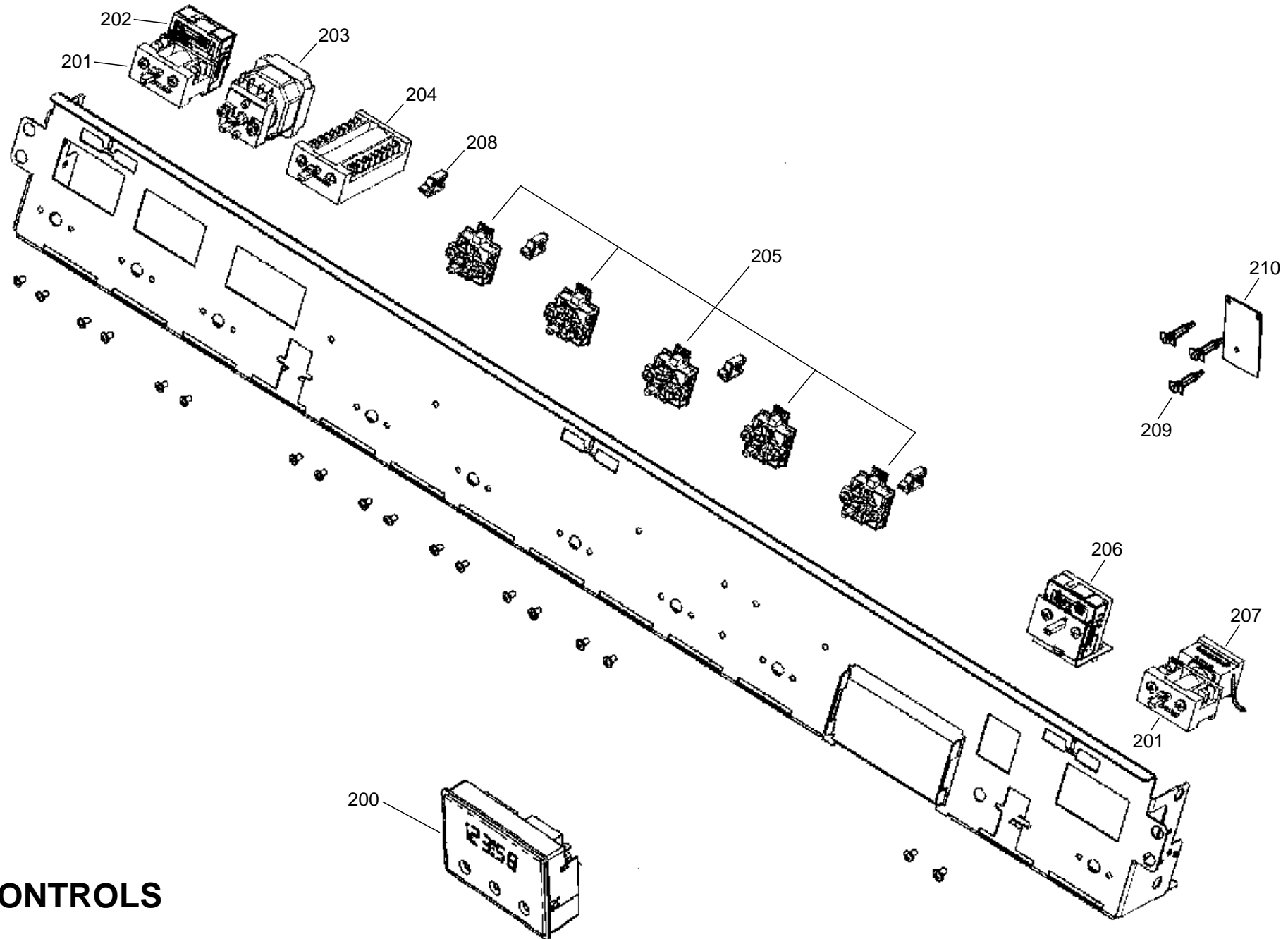


HOB AND INDUCTION ASSEMBLY

RANGEMASTER LONGSTOCK DELUXE 110 INDUCTION

DATE: 29.04.2019

DSL0784 P02
ISSUE:01

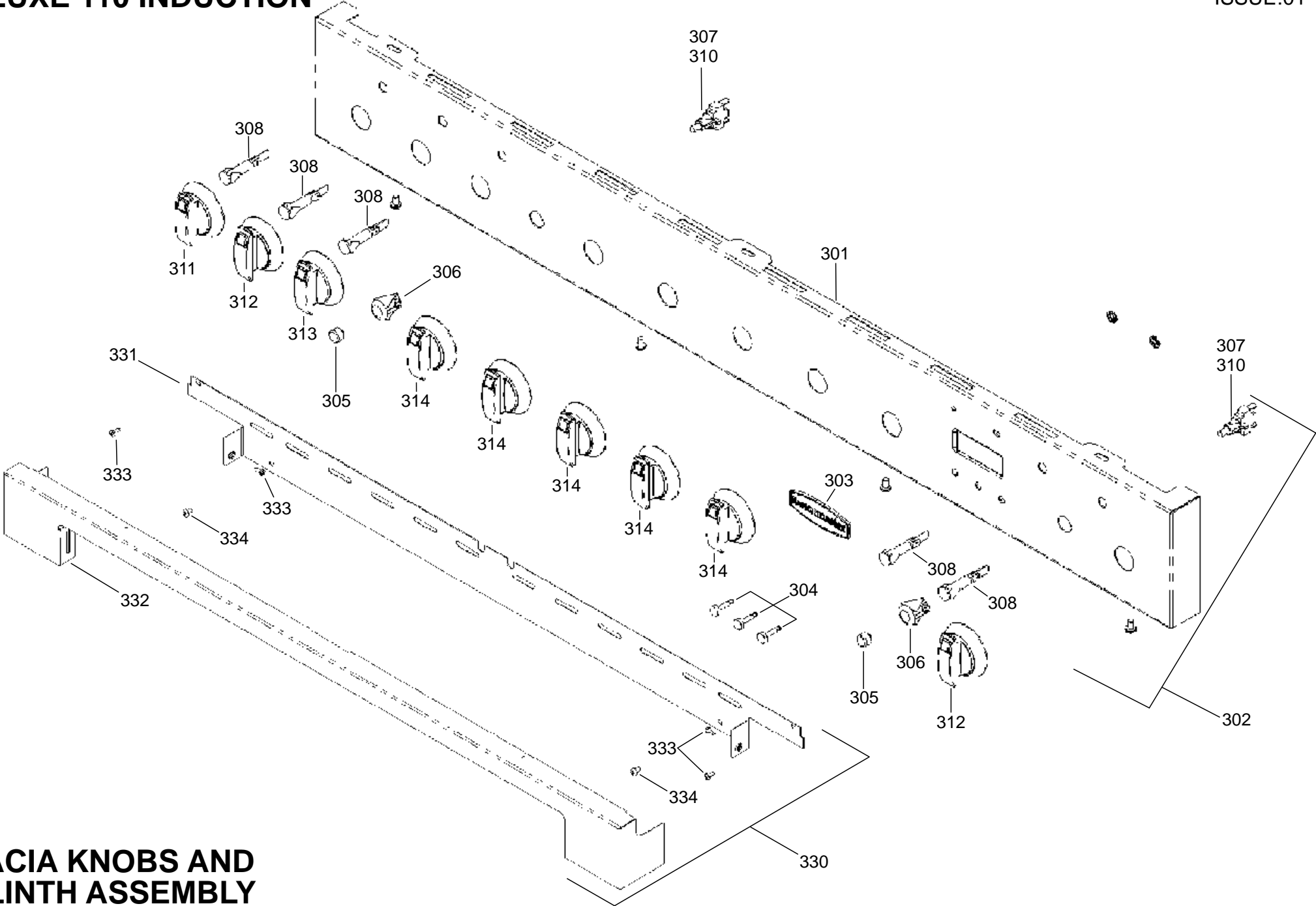


CONTROLS

RANGEMASTER LONGSTOCK DELUXE 110 INDUCTION

DATE: 29.04.2019

DSL0784 P03
ISSUE:01

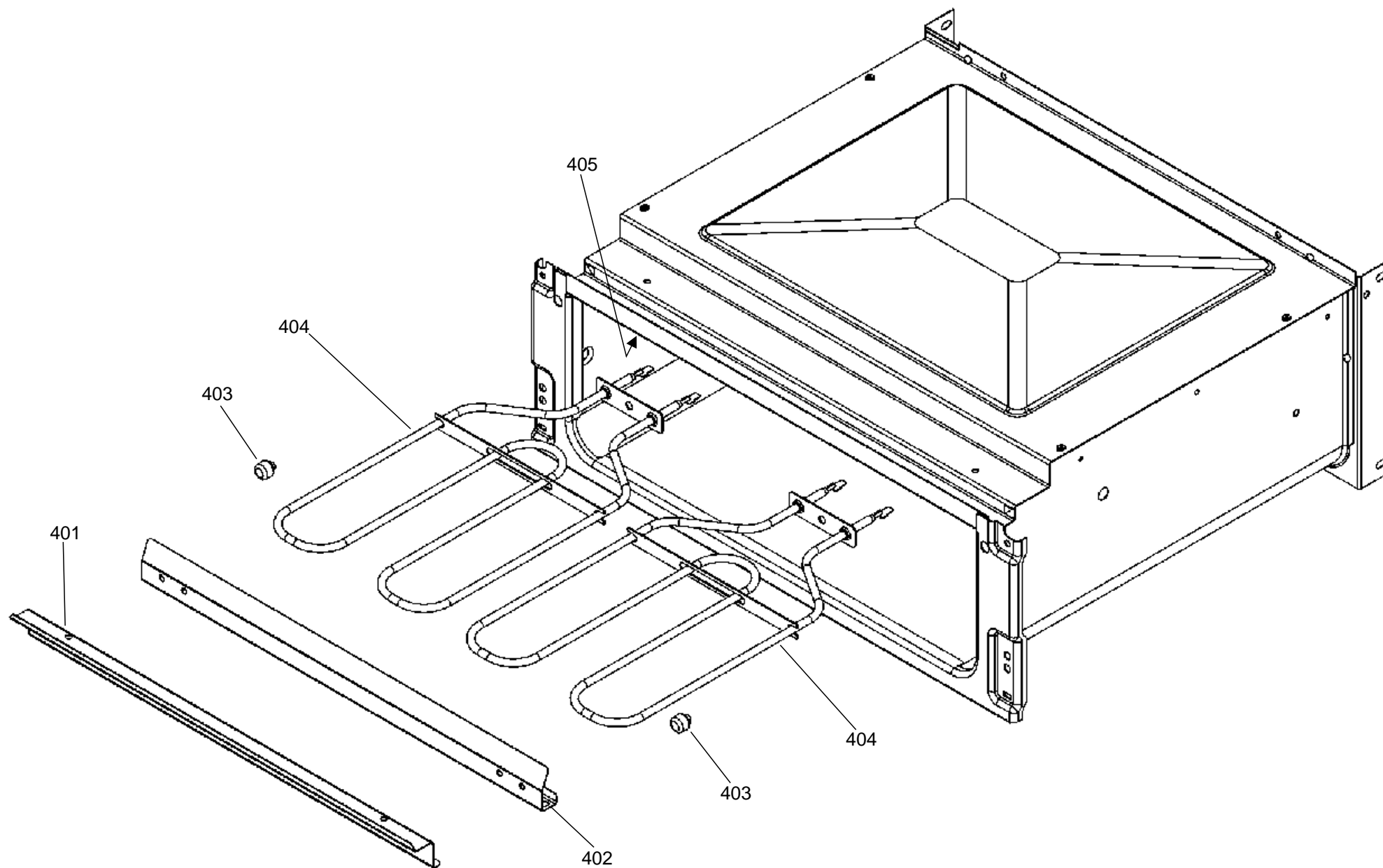


FACIA KNOBS AND PLINTH ASSEMBLY

**RANGEMASTER LONGSTOCK
DELUXE 110 INDUCTION**

DATE: 29.04.2019

DSL0784 P04
ISSUE:01

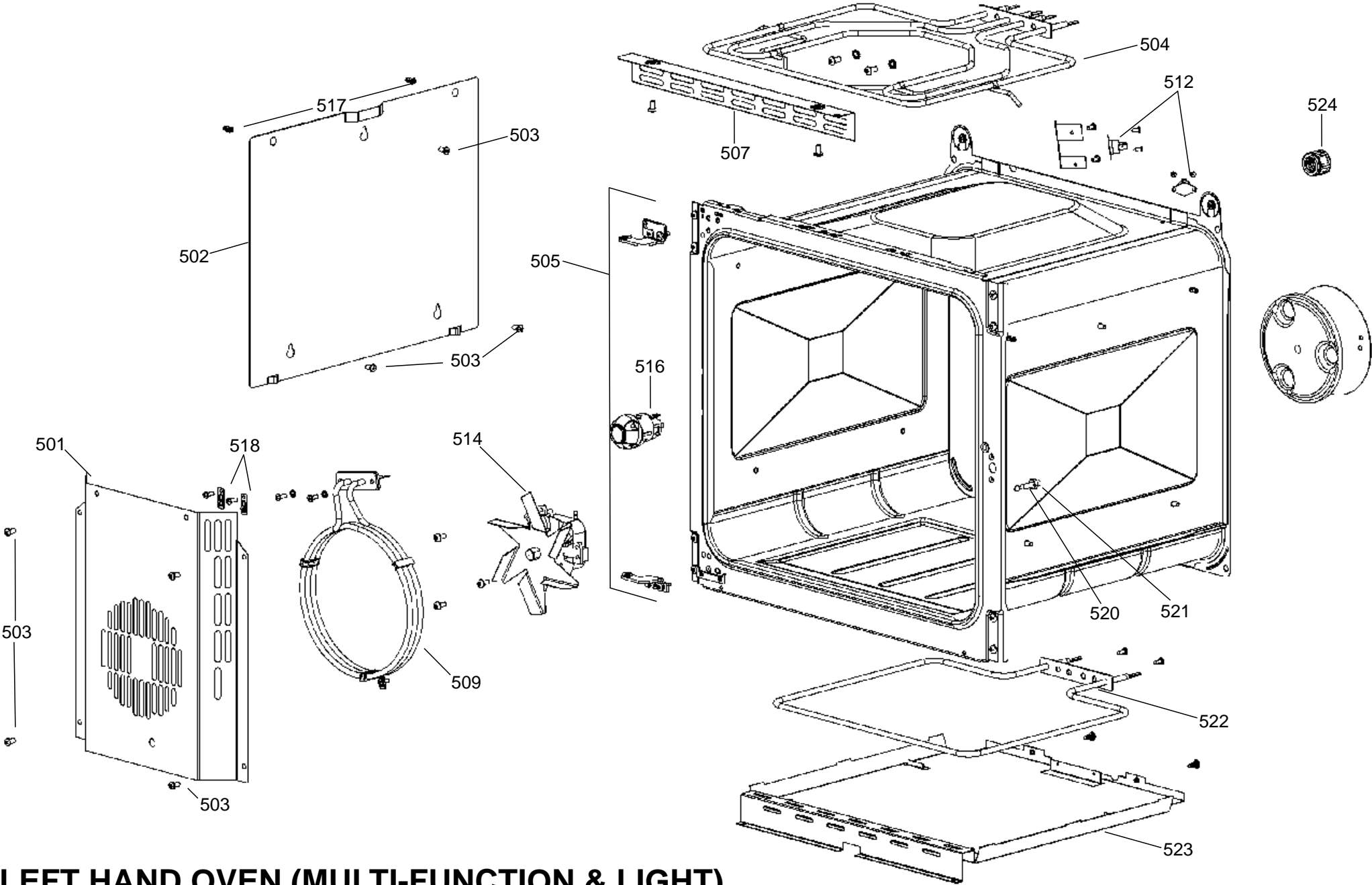


GRILL CHAMBER

RANGEMASTER LONGSTOCK DELUXE 110 INDUCTION

DATE: 29.04.2019

DSL0784 P05
ISSUE:01

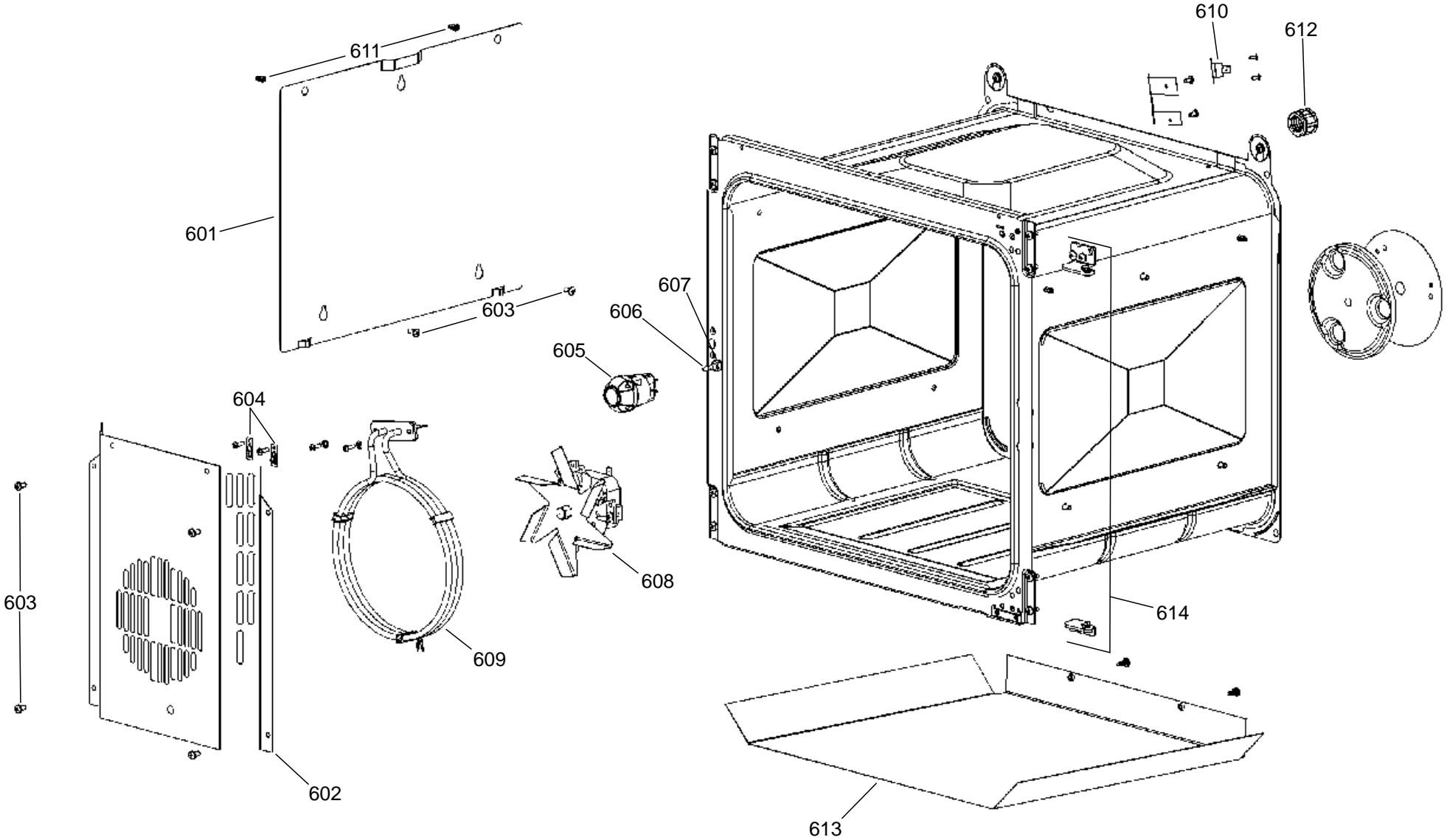


LEFT HAND OVEN (MULTI-FUNCTION & LIGHT)

RANGEMASTER LONGSTOCK DELUXE 110 INDUCTION

DATE: 29.04.2019

DSL0784 P06
ISSUE:01

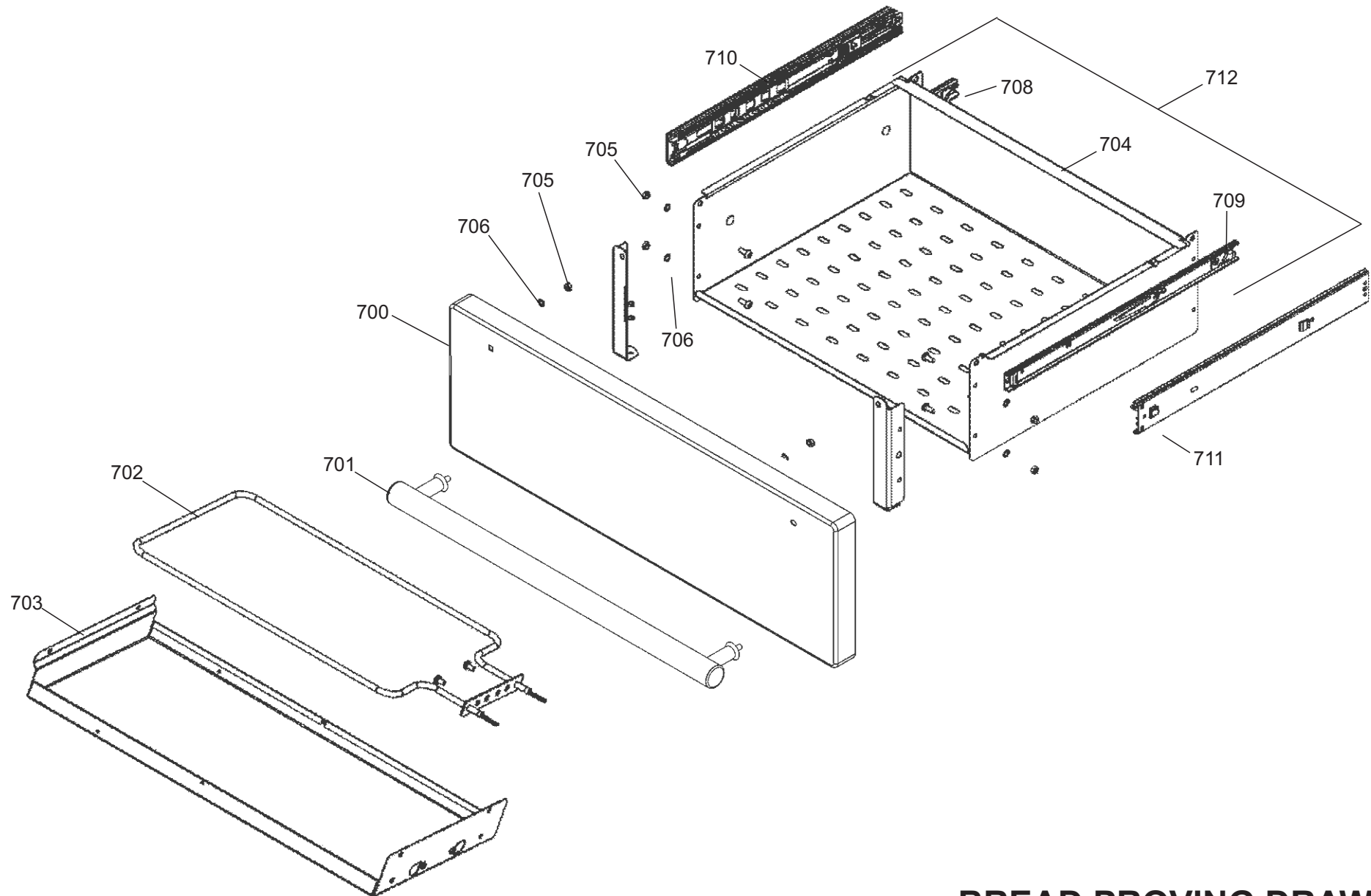


RIGHT HAND OVEN (FANNED AND LIGHT)

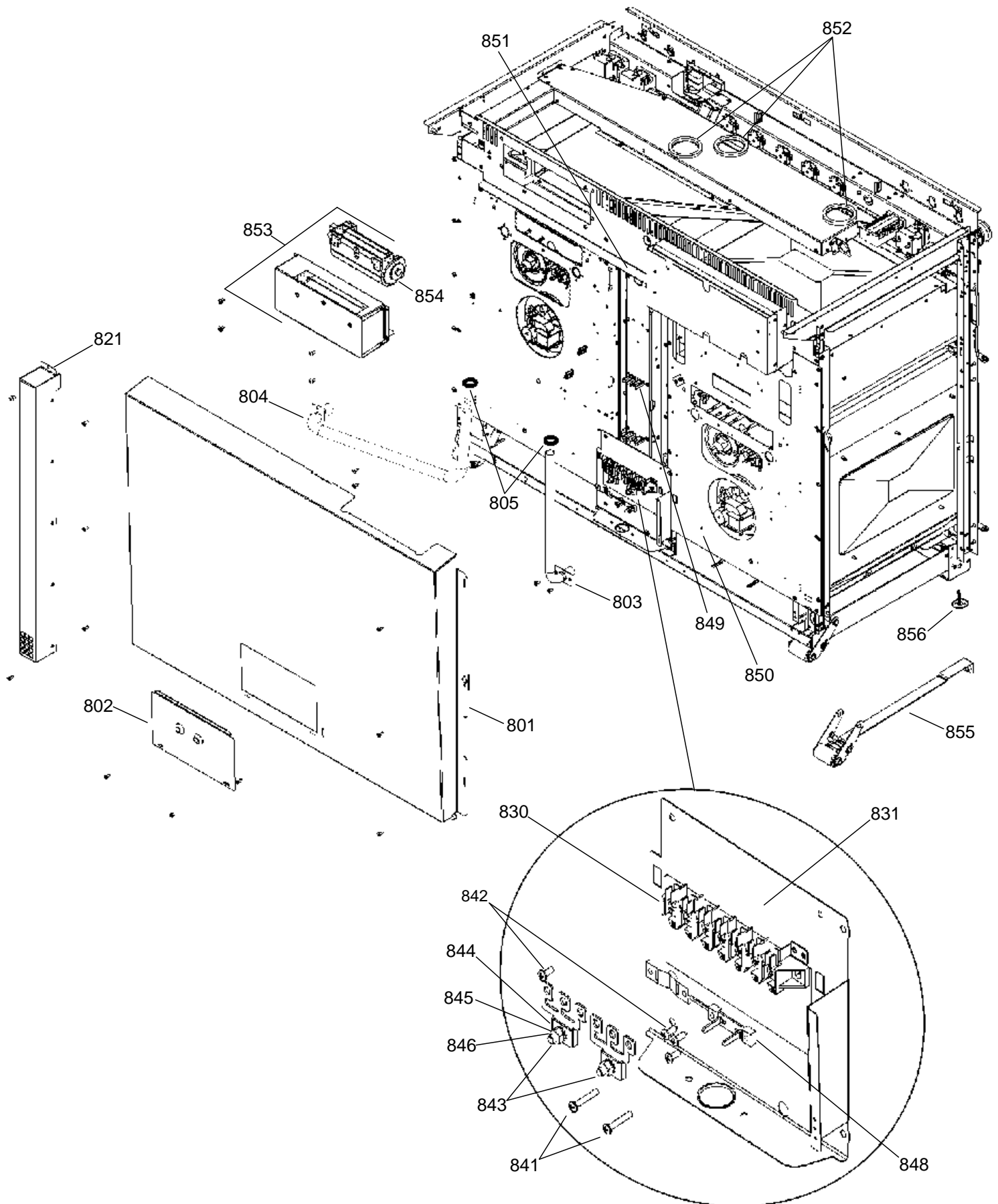
**RANGEMASTER LONGSTOCK
DELUXE 110 INDUCTION**

DATE: 29.04.2019

DSL0784 P07
ISSUE:01



BREAD PROVING DRAWER



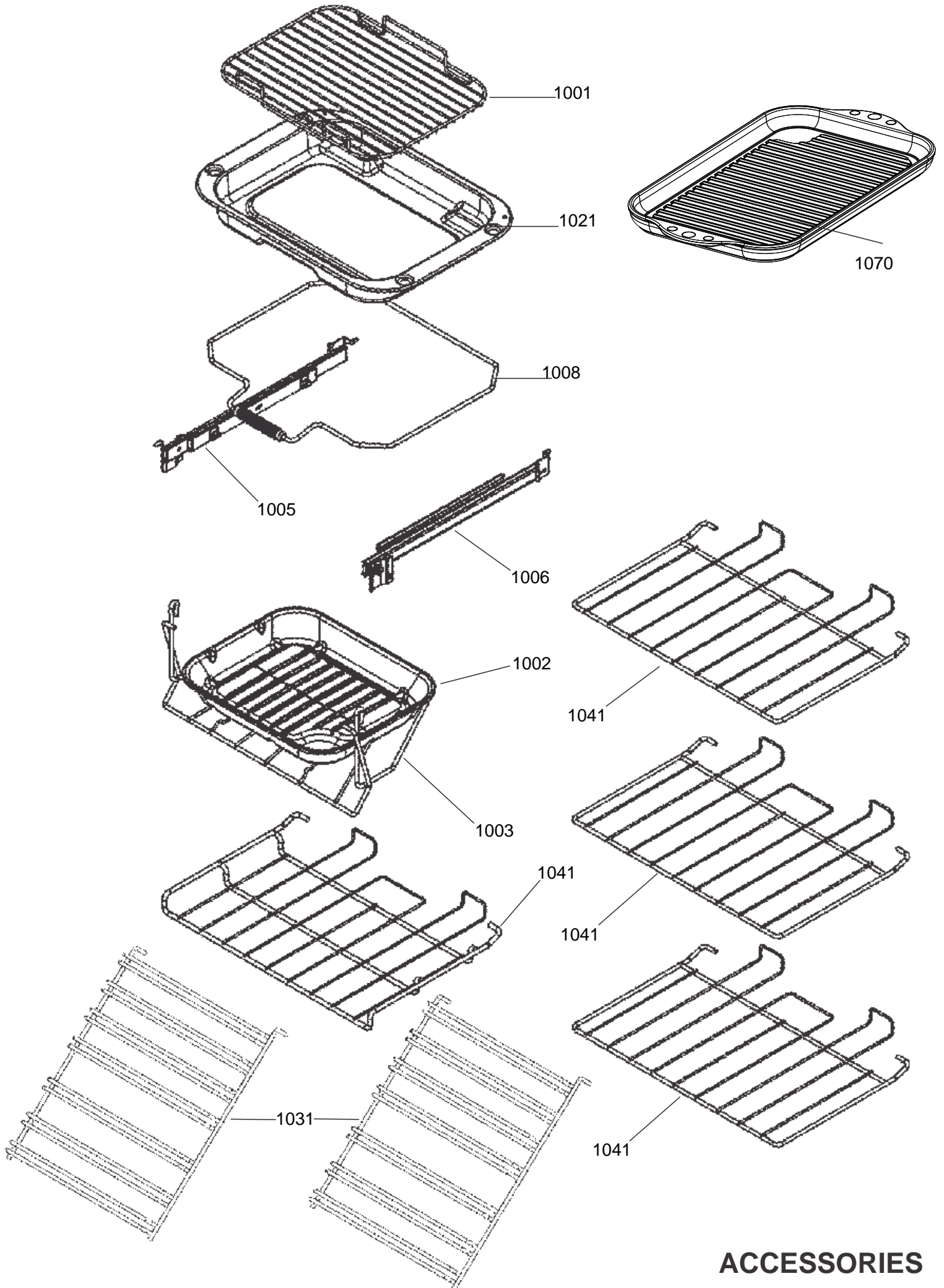
COOKER BACK AND ELECTRICAL

RANGEMASTER LONGSTOCK DELUXE 110 INDUCTION

DATE: 29.04.2019

DSL0784 P10

ISSUE:01

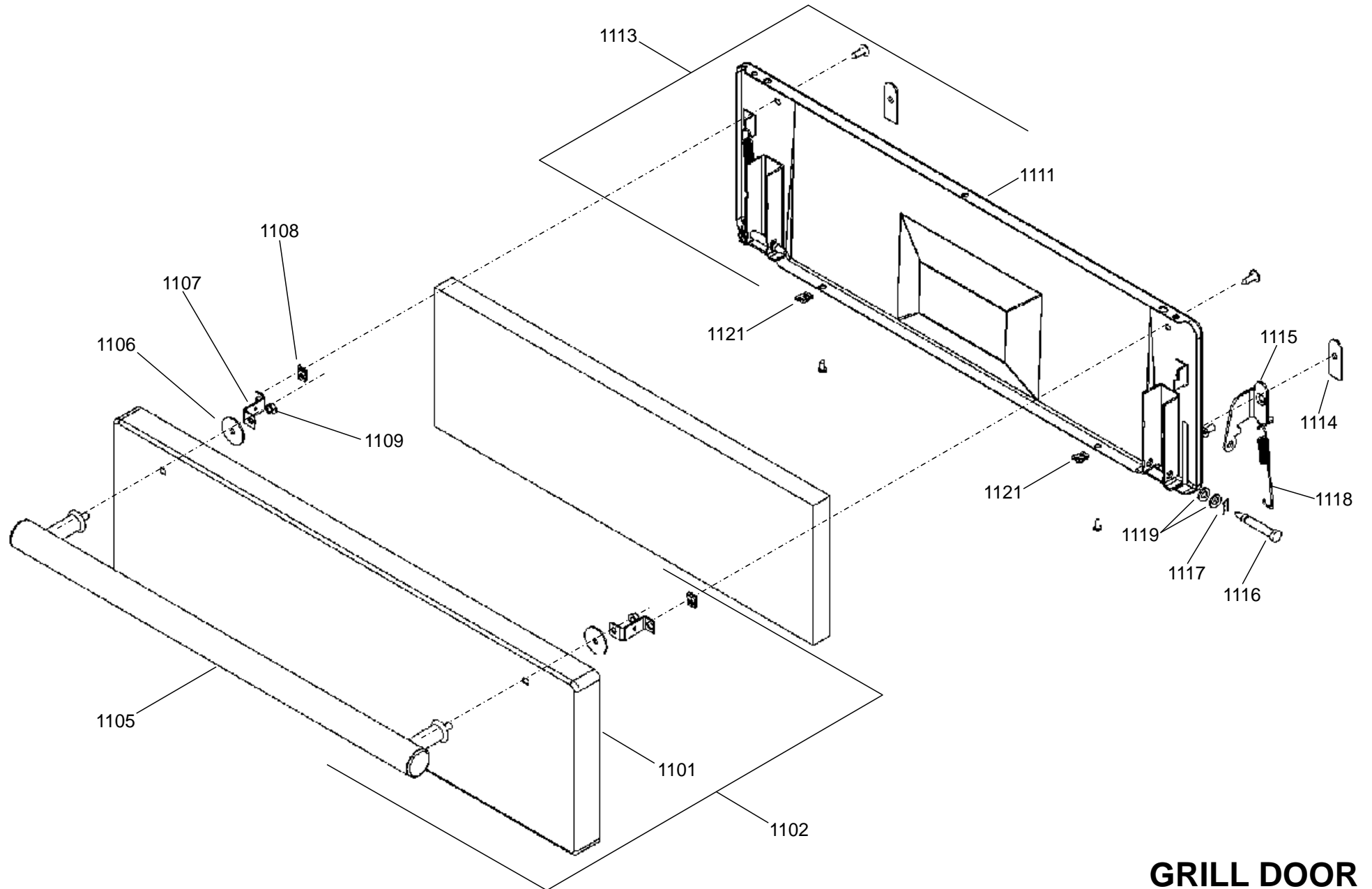


ACCESSORIES

RANGEMASTER LONGSTOCK DELUXE 110 INDUCTION

DATE: 29.04.2019

DSL0784 P11
ISSUE: 01

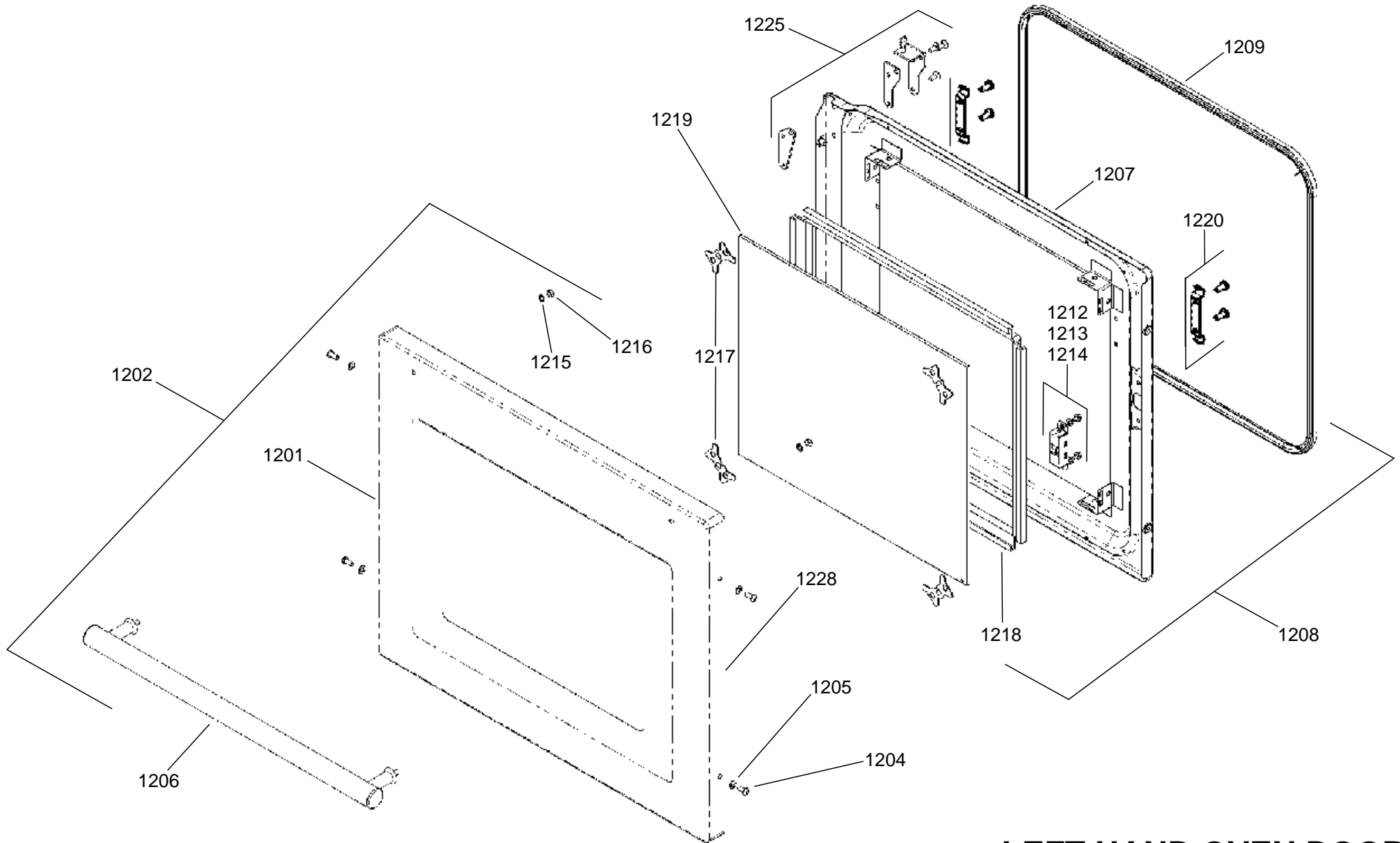


GRILL DOOR

RANGEMASTER LONGSTOCK DELUXE 110 INDUCTION

DATE: 29.04.2019

DSL0784 P12
ISSUE: 01

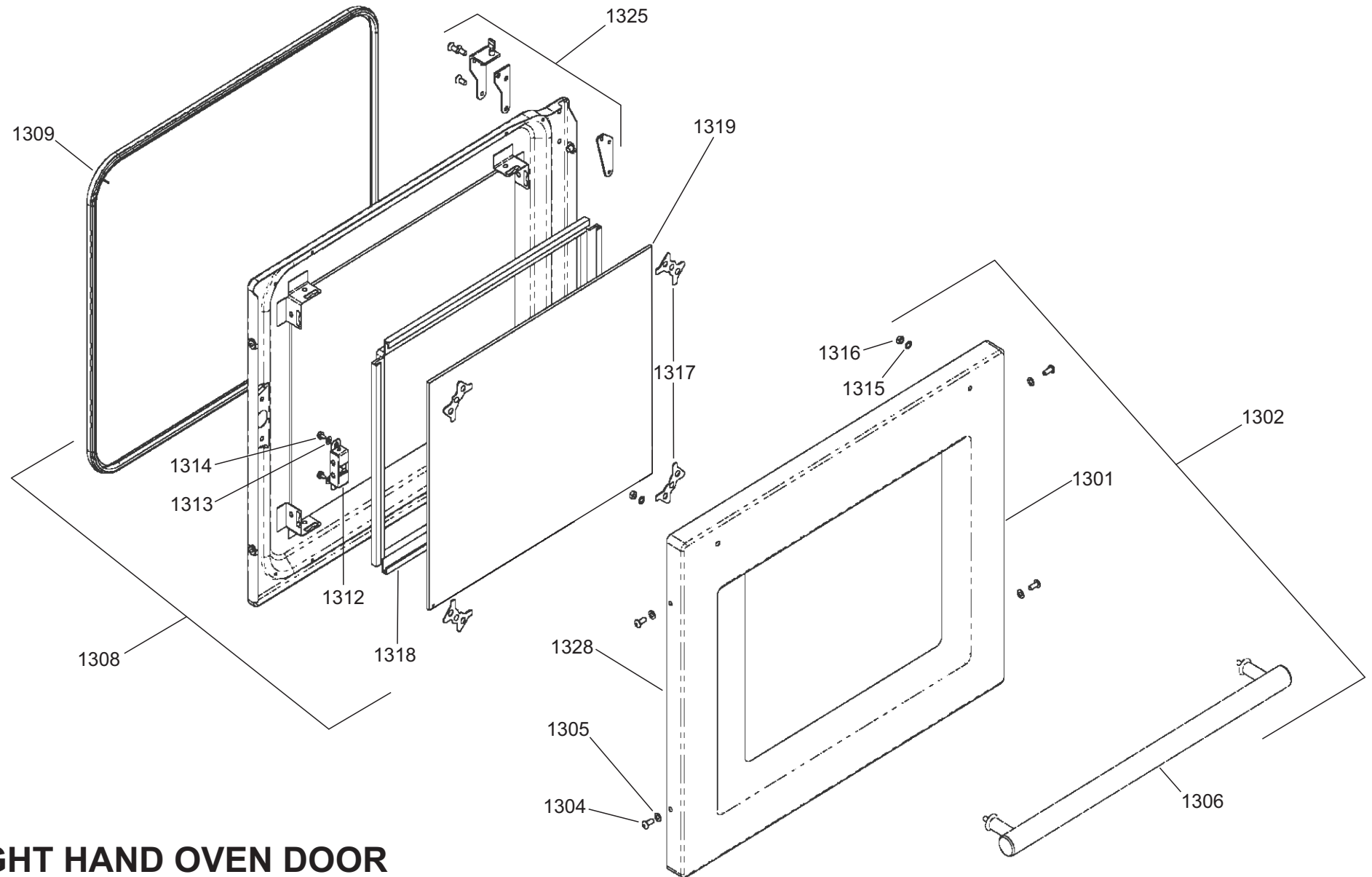


LEFT HAND OVEN DOOR

RANGEMASTER LONGSTOCK DELUXE 110 INDUCTION

DATE: 29.04.2019

DSL0784 P13
ISSUE: 01

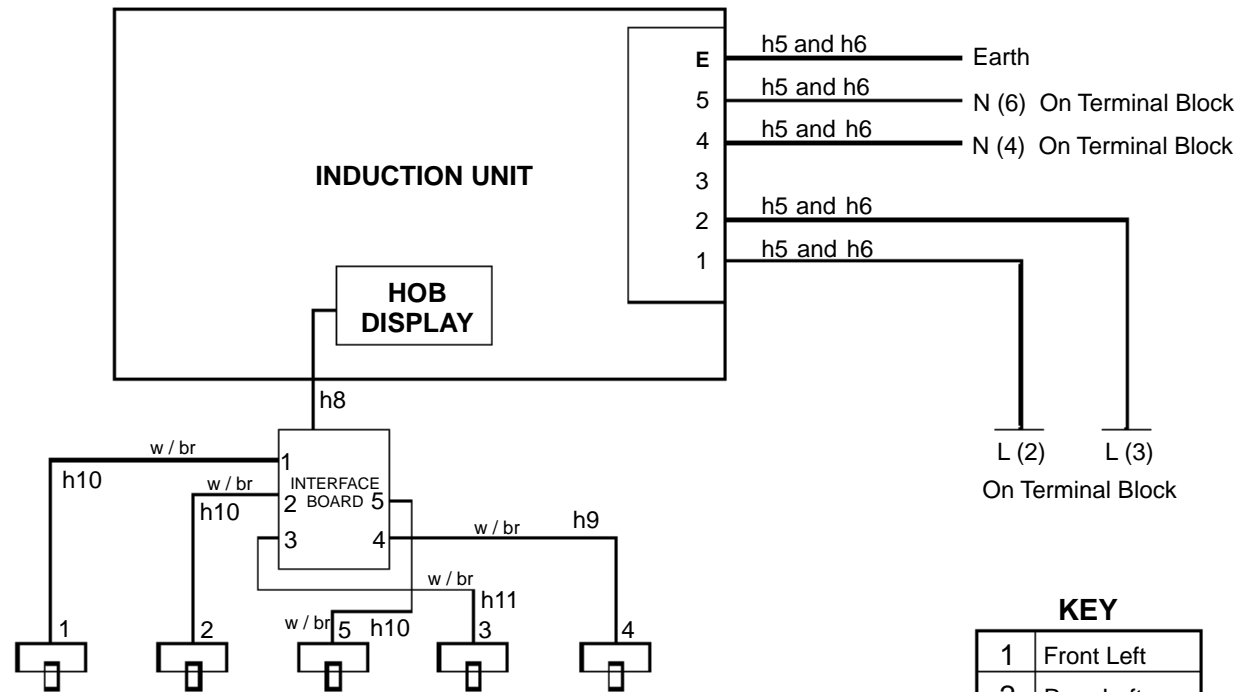


RIGHT HAND OVEN DOOR

RANGEMASTER LONGSTOCK DELUXE 110 INDUCTION

DATE: 29.04.2019

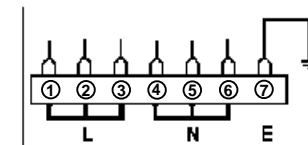
DSL0784 P14
ISSUE: 01



KEY

1	Front Left
2	Rear Left
3	Rear Right
4	Front Right
5	Centre
w/br	White & Brown

Ref Number	Part Number	Colour	Quantity	Remarks
h10	P043939	br	3	Harness - Rotary Control 1,2 and 5
h9	P043937	br	1	Harness - Rotary Control 4
h11	P043936	br	1	Harness - Rotary Control 3
h8	P051766	br	1	Harness - LIN Connection K6 to Interface Board
h6	P051839	br / b / g	1	Harness - Mains Power - Connector Block - Induction Unit
h5	P052814	br / b / gr	1	Harness - Mains Power - Terminal Block - Connector Block



110cm INDUCTION UNIT

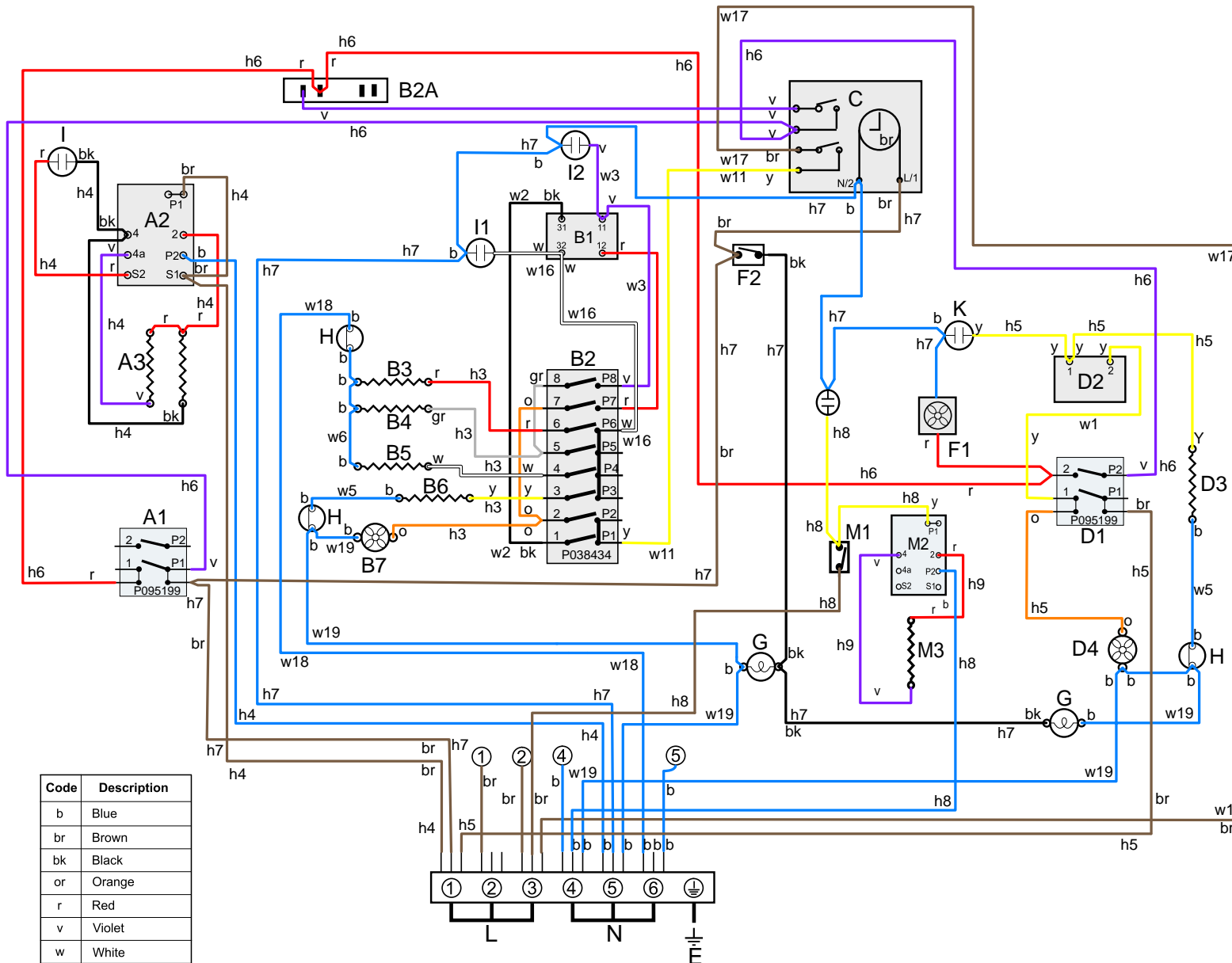
INDUCTION UNIT WIRING

RANGEMASTER LONGSTOCK DELUXE 110 INDUCTION

DATE: 29.04.2019

ISSUE: 01

DSL0784 P15



Code	Description
b	Blue
br	Brown
bk	Black
or	Orange
r	Red
v	Violet
w	White
y	Yellow
g/y	Green / Yellow

Code	Description
A1	Grill Front Switch
A2	Grill Energy Controller
A3	Grill Elements
B1	Left Hand Oven Thermostat
B2	Left Hand Oven Control
B2a	Left Hand Oven Thermostat Front Switch
B3	Left Hand Oven Base Element
B4	Left Hand Oven Top Element Outer Pair
B5	Left Hand Oven Top Element Inner Pair
B6	Left Hand Oven Fan Element
B7	Left Hand Oven Fan
C	Clock / Timer
D1	Right Hand Fan Oven Control
D2	Right Hand Fan Oven Thermostat
D3	Right Hand Fan Oven Element
D4	Right Hand Fan Oven Fan
F1	Cooling Fan
F2	Oven Light Switch
G	Oven Light(s)
H	Thermal Cut-Out
I	Grill Neon
I1	Left Hand Oven Neon
I2	Rapid Heat Neon
K	Right Hand Oven Neon
M1	Proving Drawer Switch
M2	Proving Drawer Energy Regulator
M3	Proving Drawer Element

WIRING