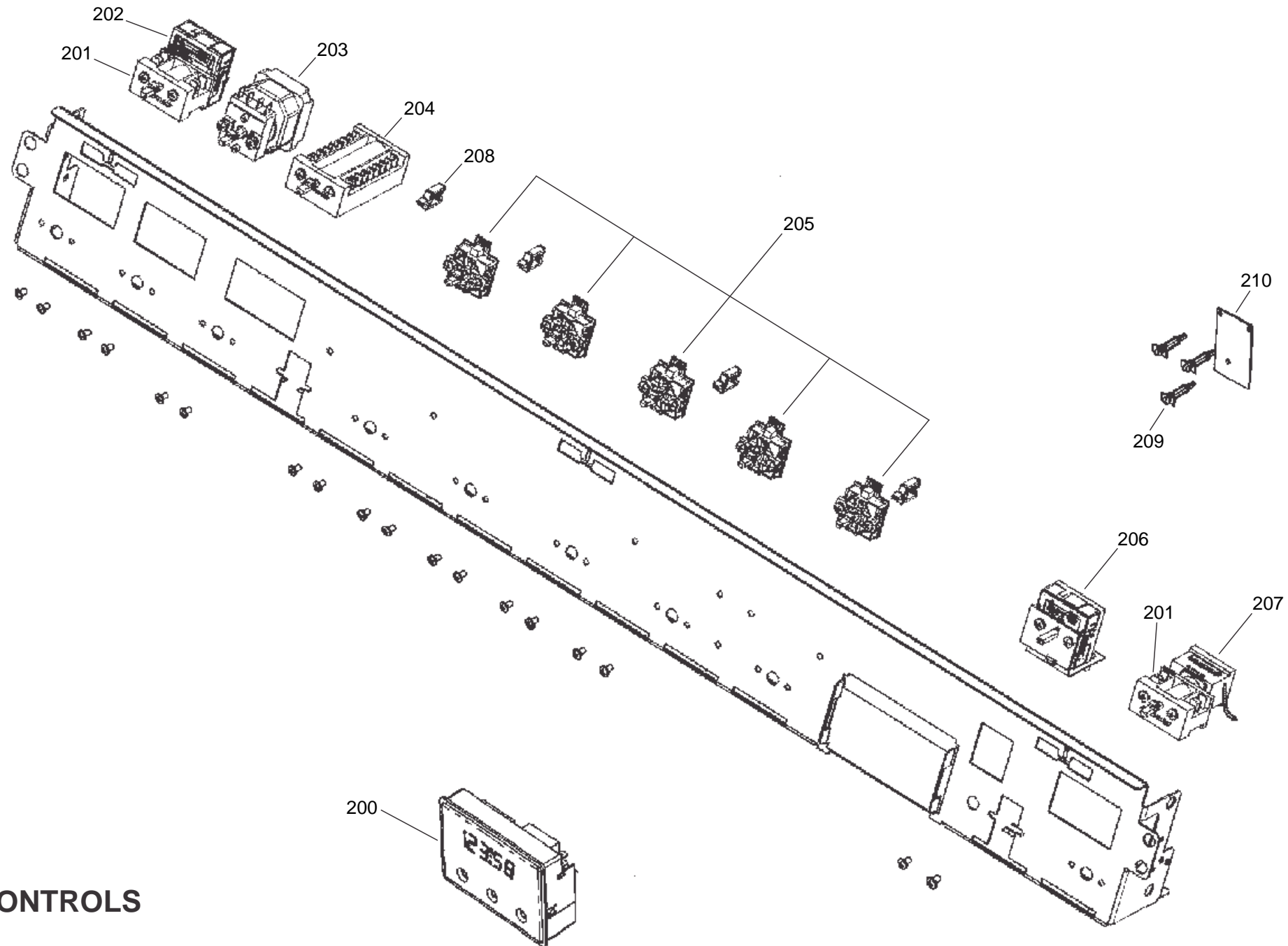
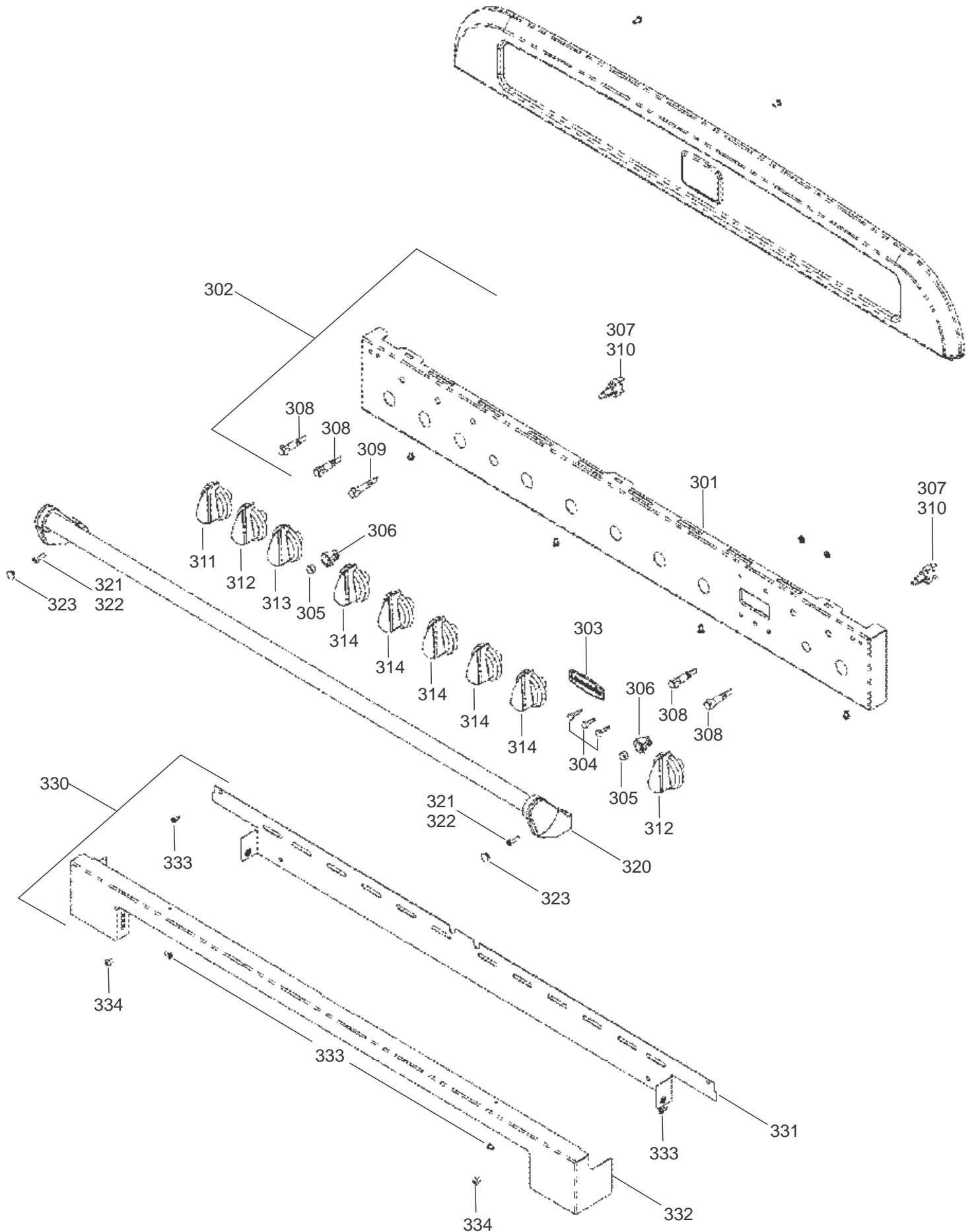


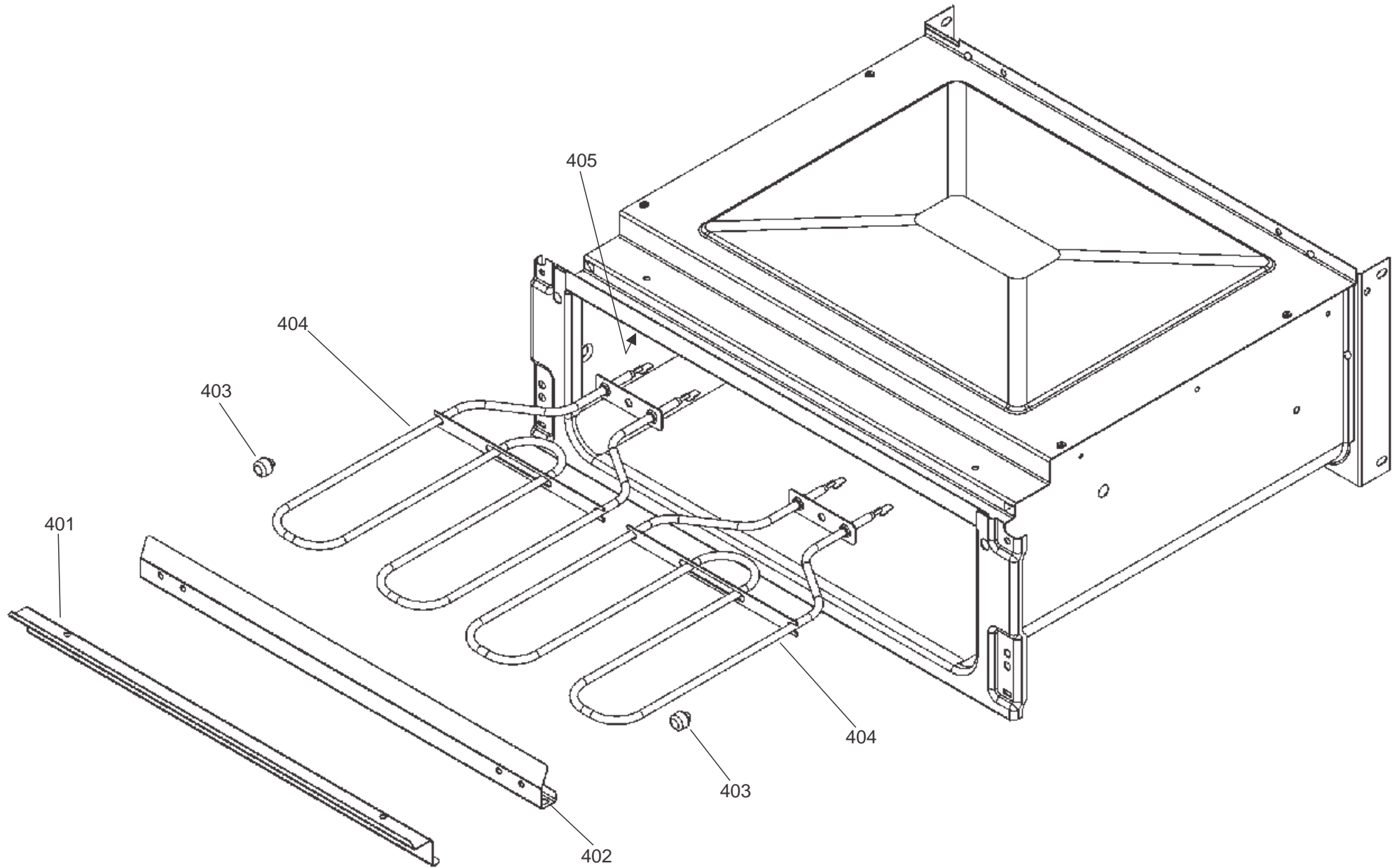
HOB AND INDUCTION ASSEMBLY



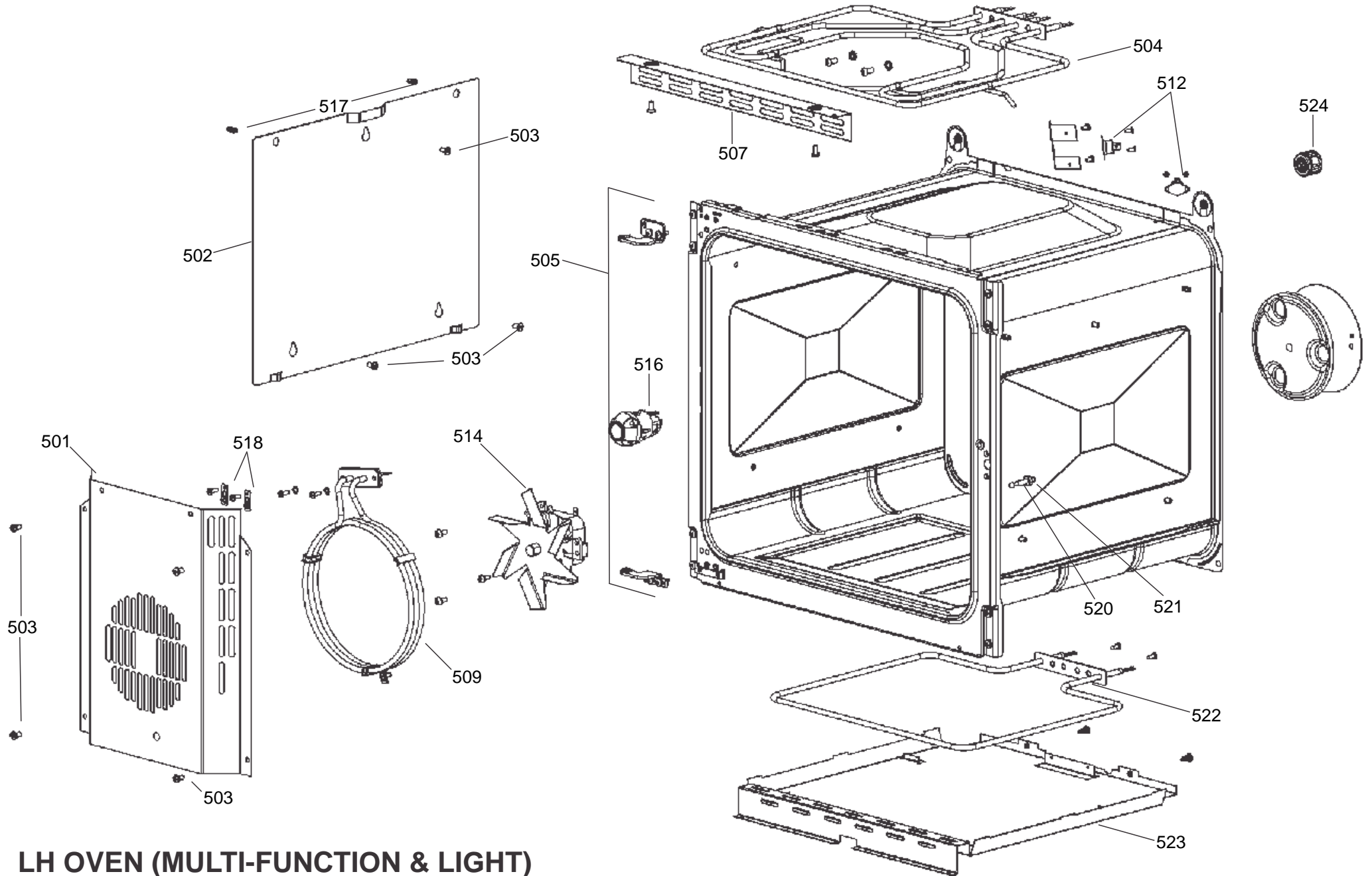
CONTROLS



FACIA & KNOBS ASSEMBLY



GRILL CHAMBER



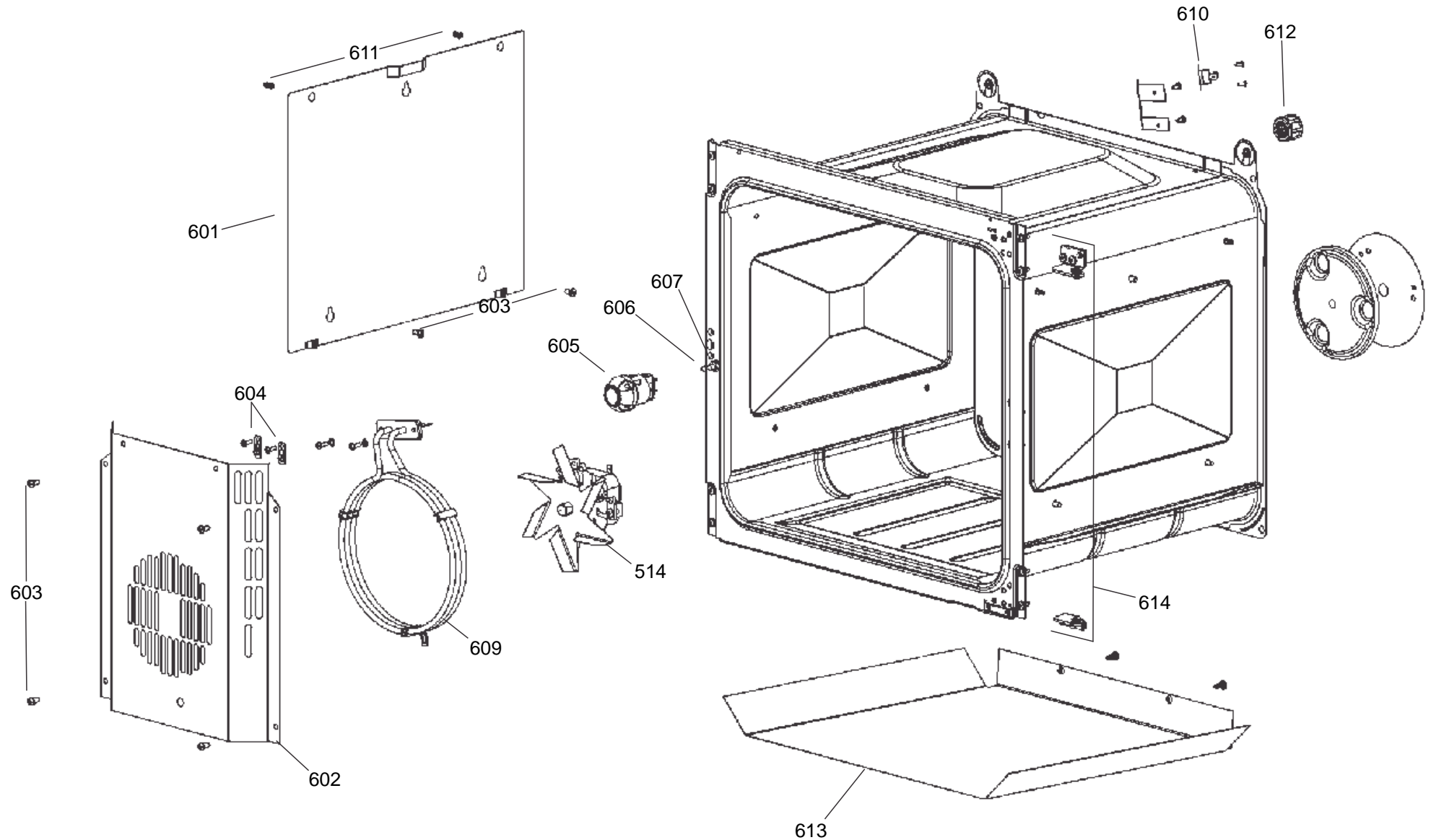
LH OVEN (MULTI-FUNCTION & LIGHT)

LECKFORD DELUXE 110 INDUCTION

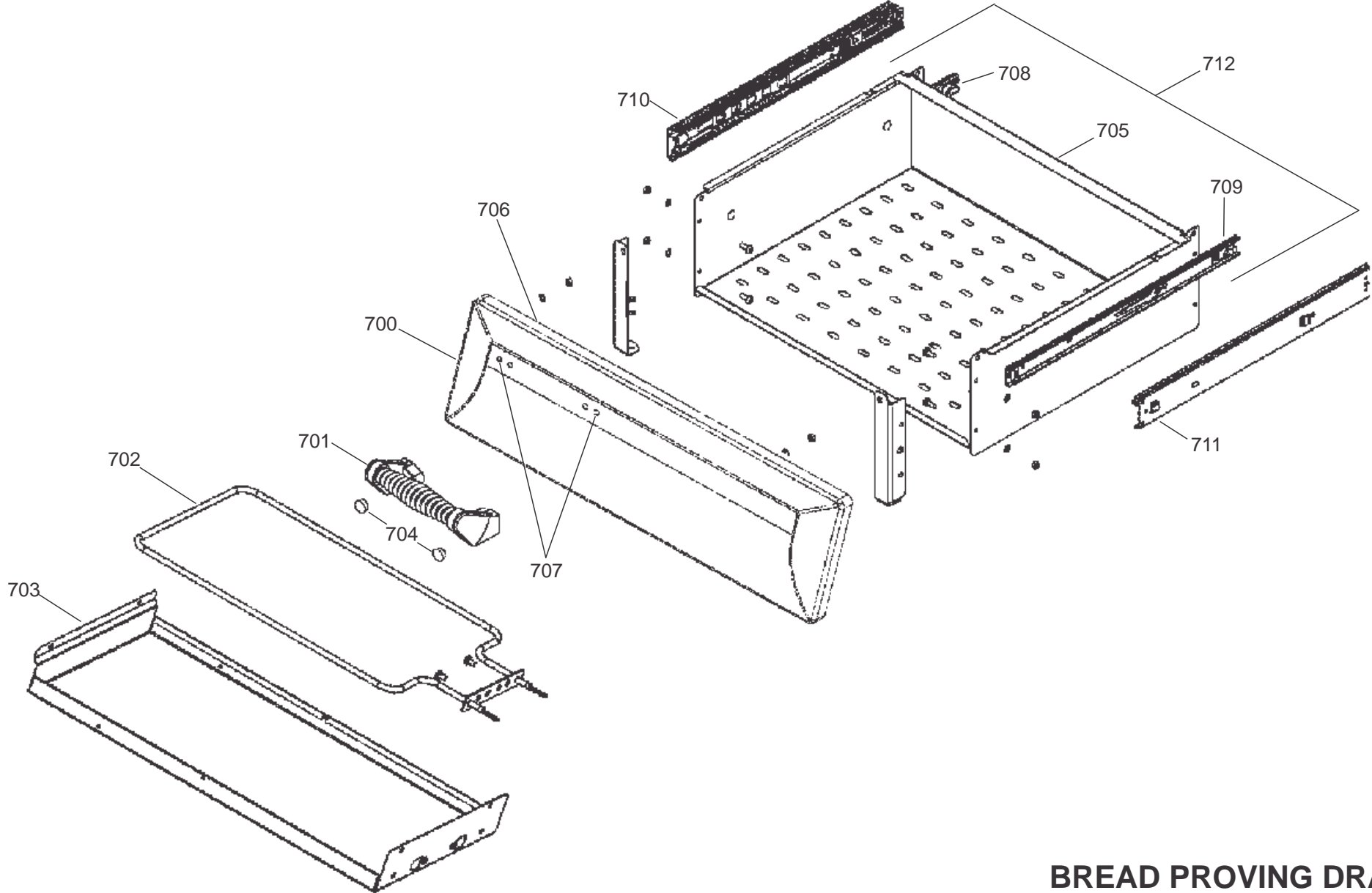
DATE: 25.04.2019

DSL0793 P06

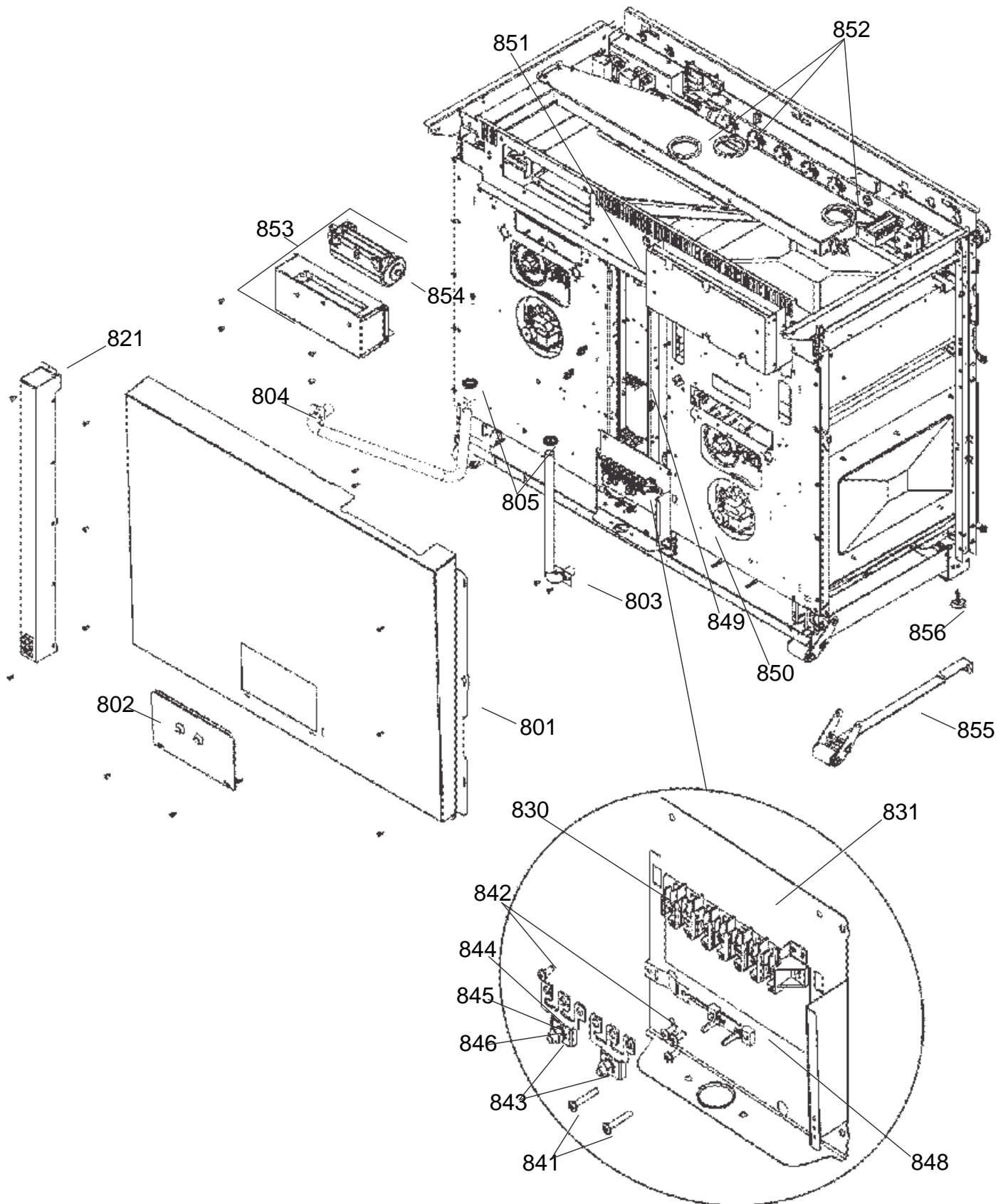
ISSUE: 01



RH OVEN (FANNED & LIGHT)



BREAD PROVING DRAWER



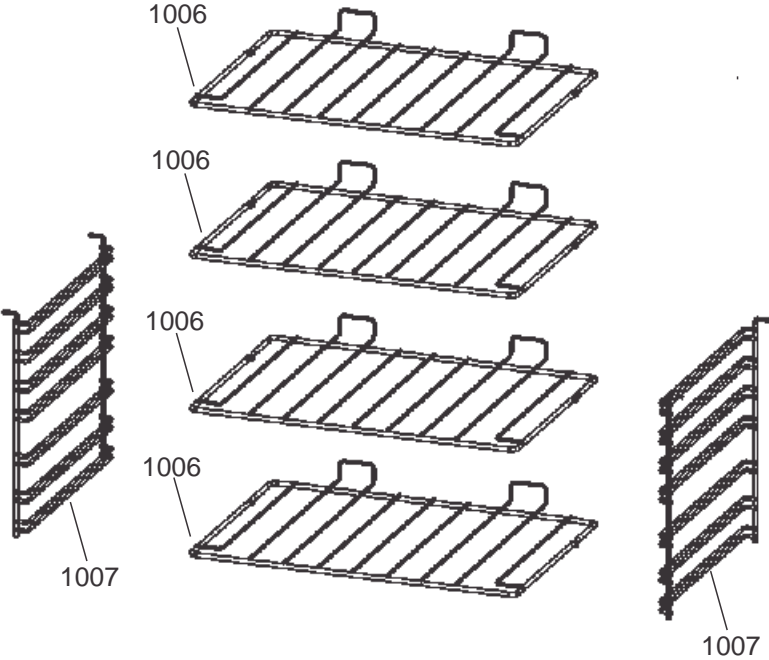
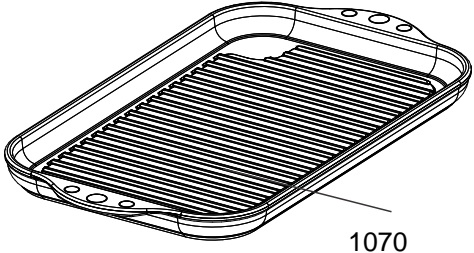
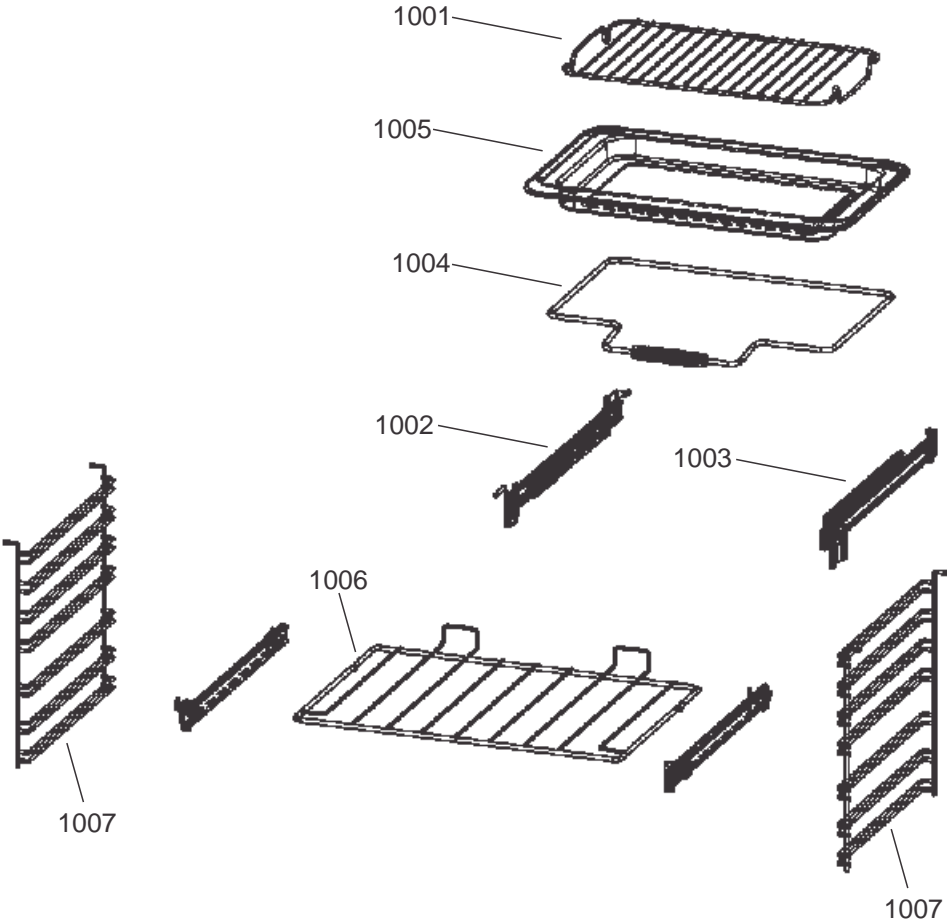
COOKER BACK

LECKFORD DELUXE 110 INDUCTION

DATE: 25.04.2019

DSL0793 P10

ISSUE STATUS 01



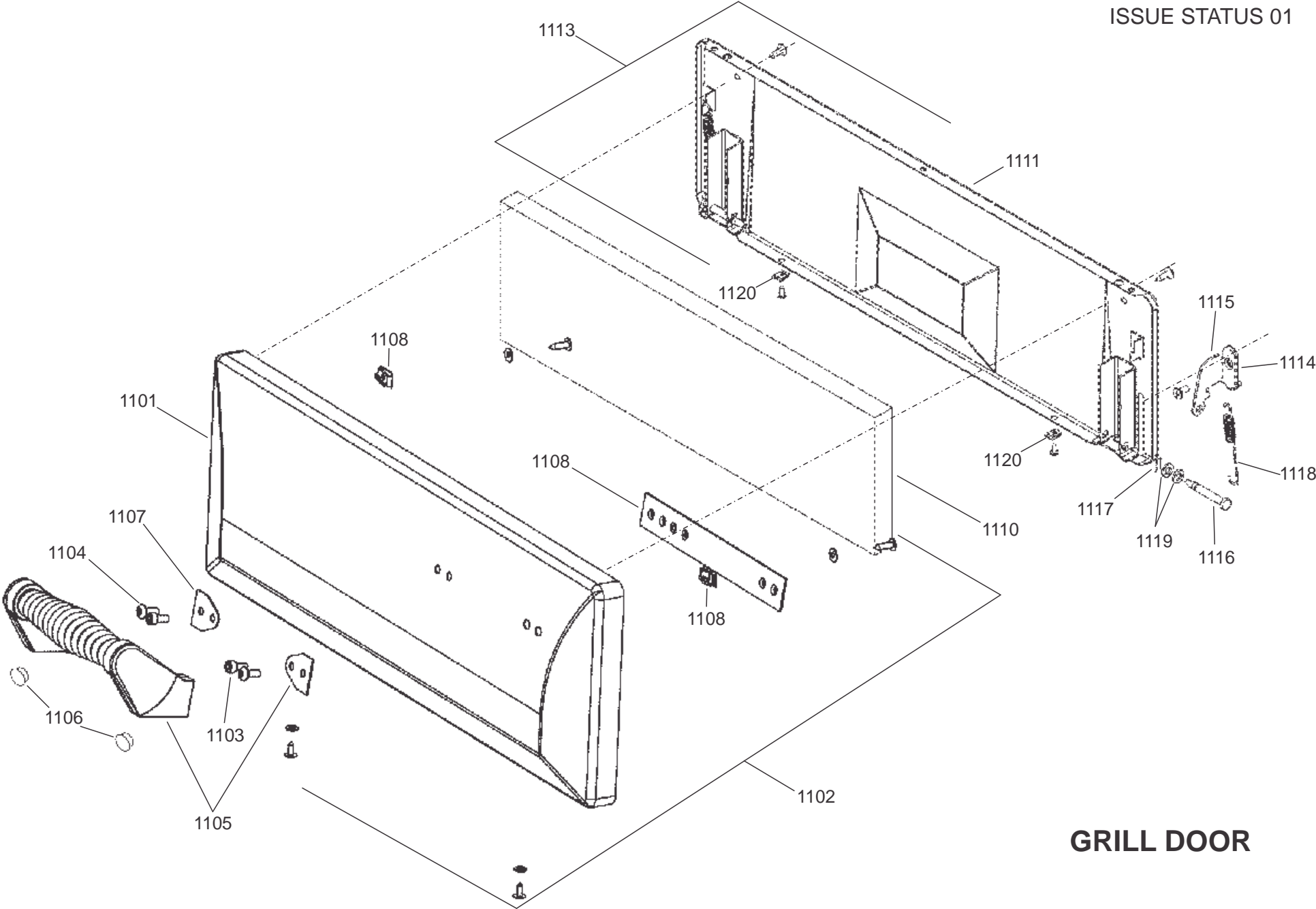
ACCESSORIES

LECKFORD DELUXE 110 INDUCTION

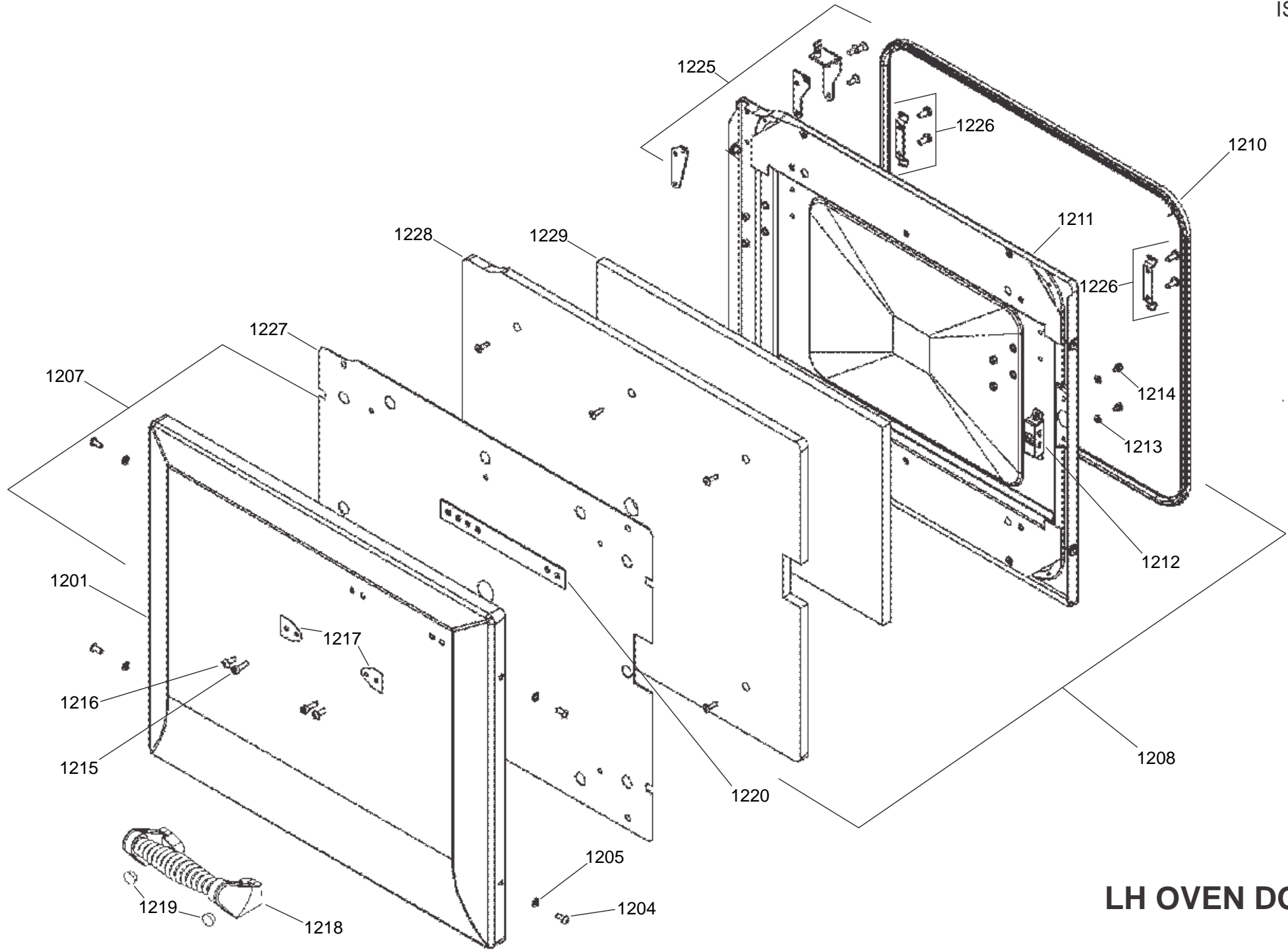
DATE: 25.04.2019

DSL0793 P11

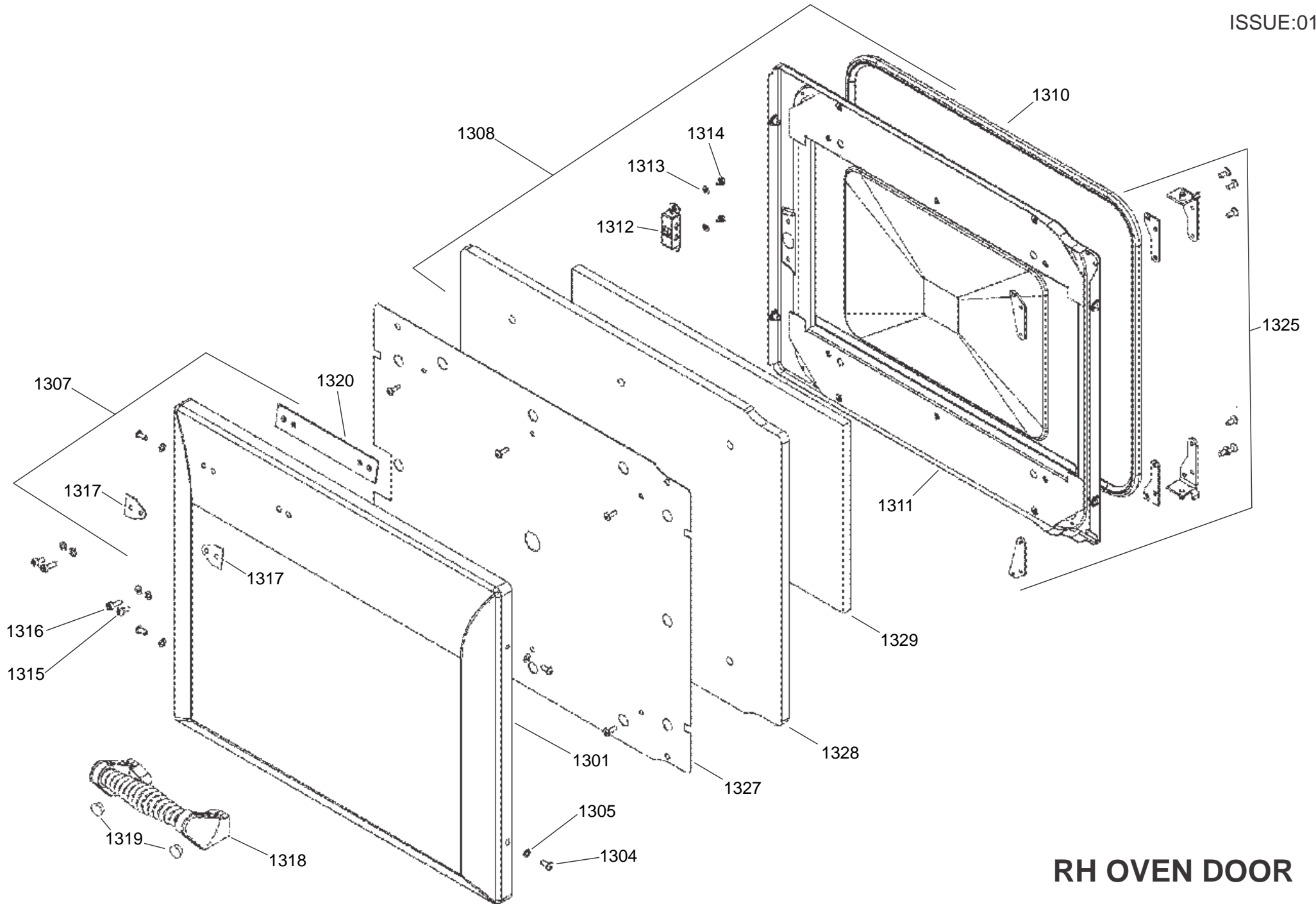
ISSUE STATUS 01



GRILL DOOR



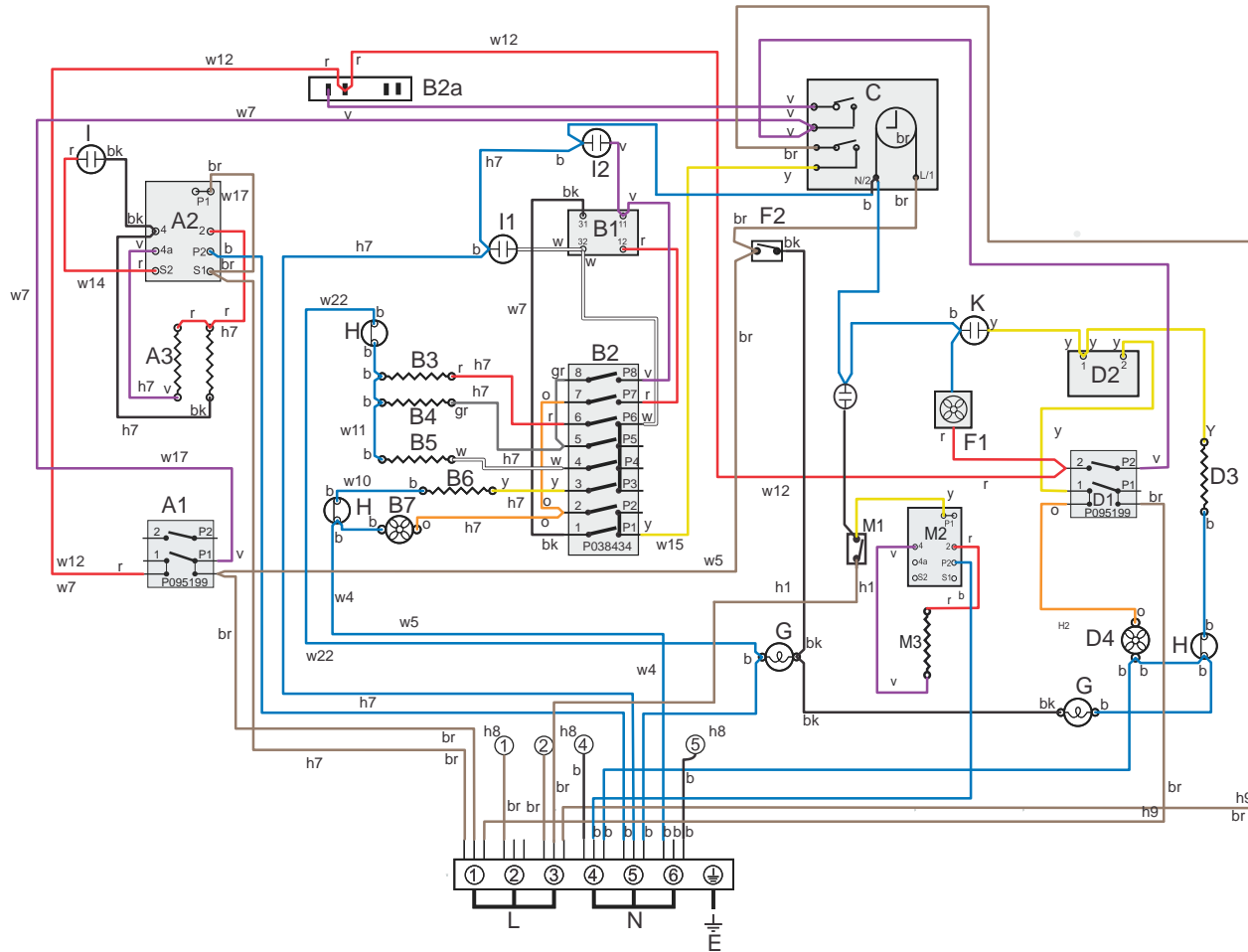
LH OVEN DOOR



RH OVEN DOOR

Key

The connections shown in the circuit diagram are for single-phase. The ratings are for 230V 50Hz.



Code	Colour
b	Blue
br	Brown
bk	Black
or	Orange
r	Red
v	Violet
w	White
y	Yellow
g/y	Green/yellow
gr	Grey

Code	Description
A1	Grill front switch
A2	Grill energy control
A3	Grill elements
B1	Multi-function oven thermostat
B2	Multi-function oven control
B2a	Multi-function oven thermostat front switch
B3	Left-hand multi-function oven base element
B4	Left-hand multi-function oven top element (outer pair)
B5	Left-hand multi-function oven browning element (inner pair)
B6	Left-hand multi-function oven fan element
B7	Left-hand multi-function oven fan

Code	Description
C	Clock
D1	Right-hand oven front switch
D2	Right-hand oven thermostat
D3	Right-hand fan oven element
D4	Right-hand oven fan
F1	Cooling fan
F2	Oven light switch
G	Oven light(s)
H	Thermal cut-out
I	Grill neon
I1	Multi-function oven neon
I2	Rapid heat-up neon
K	RH oven neon
M1	Proving drawer switch
M2	Proving drawer energy regulator
M3	Proving draw element