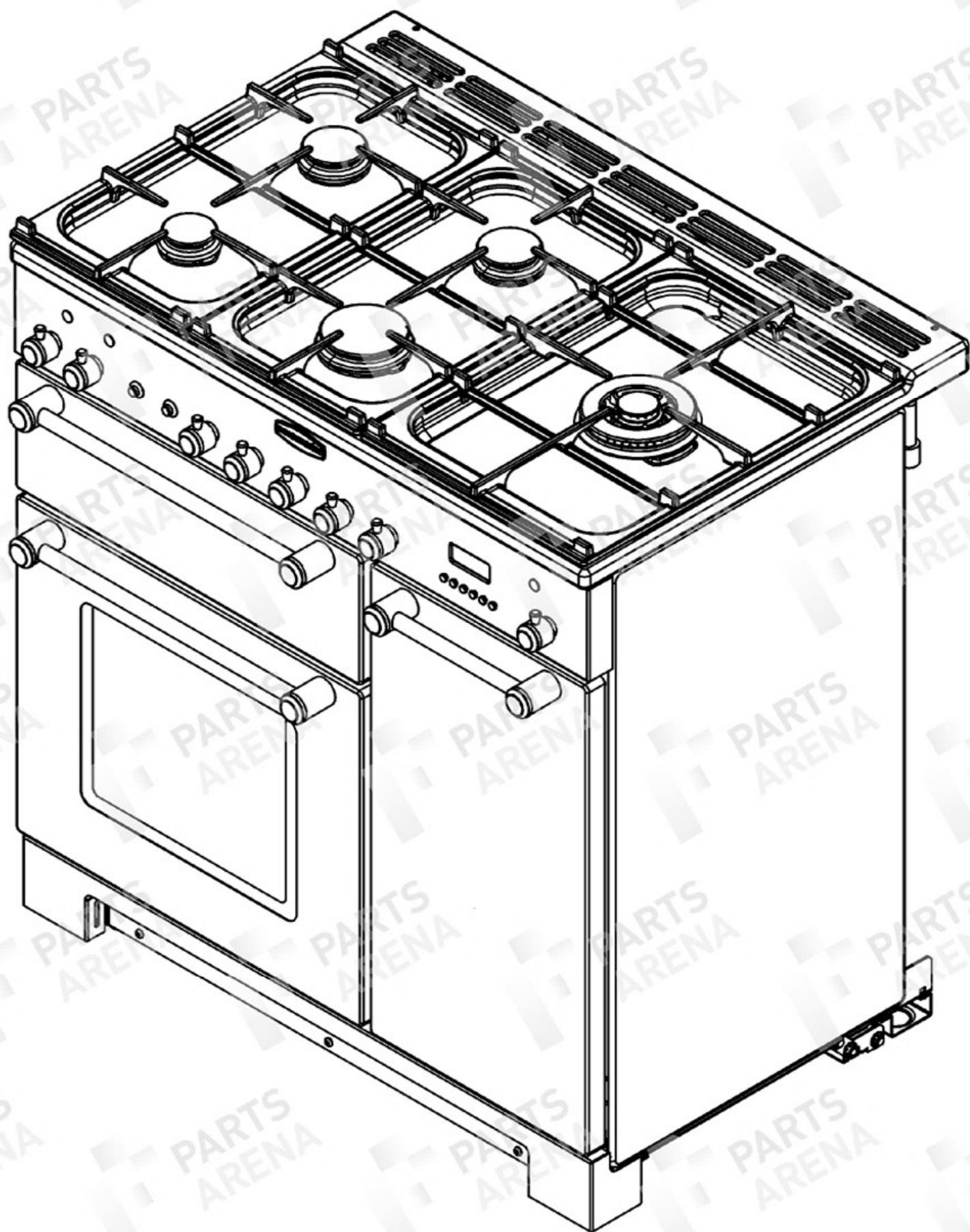


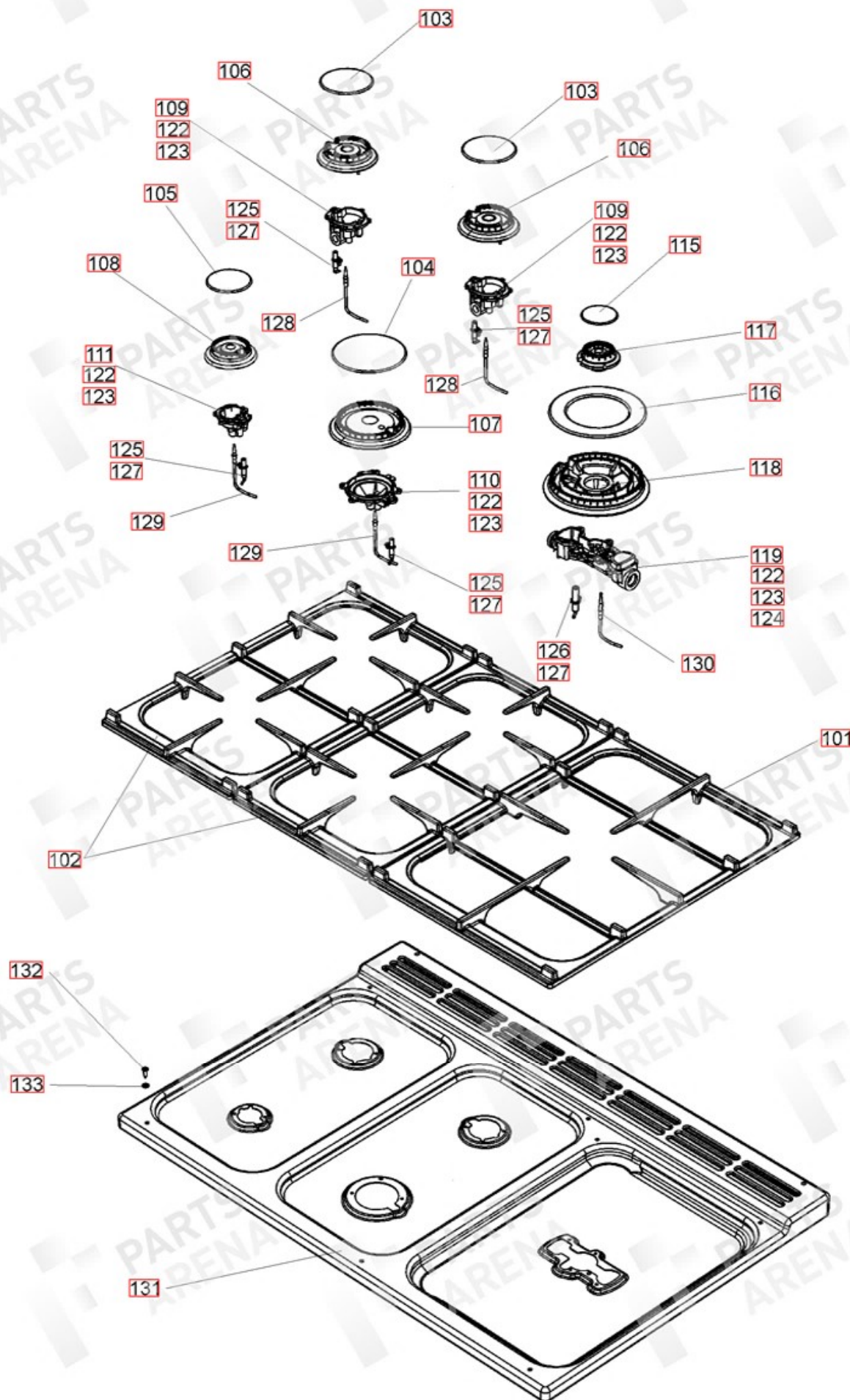
**KITCHENER 90 DUAL FUEL**  
**FROM SERIAL No: 193000**

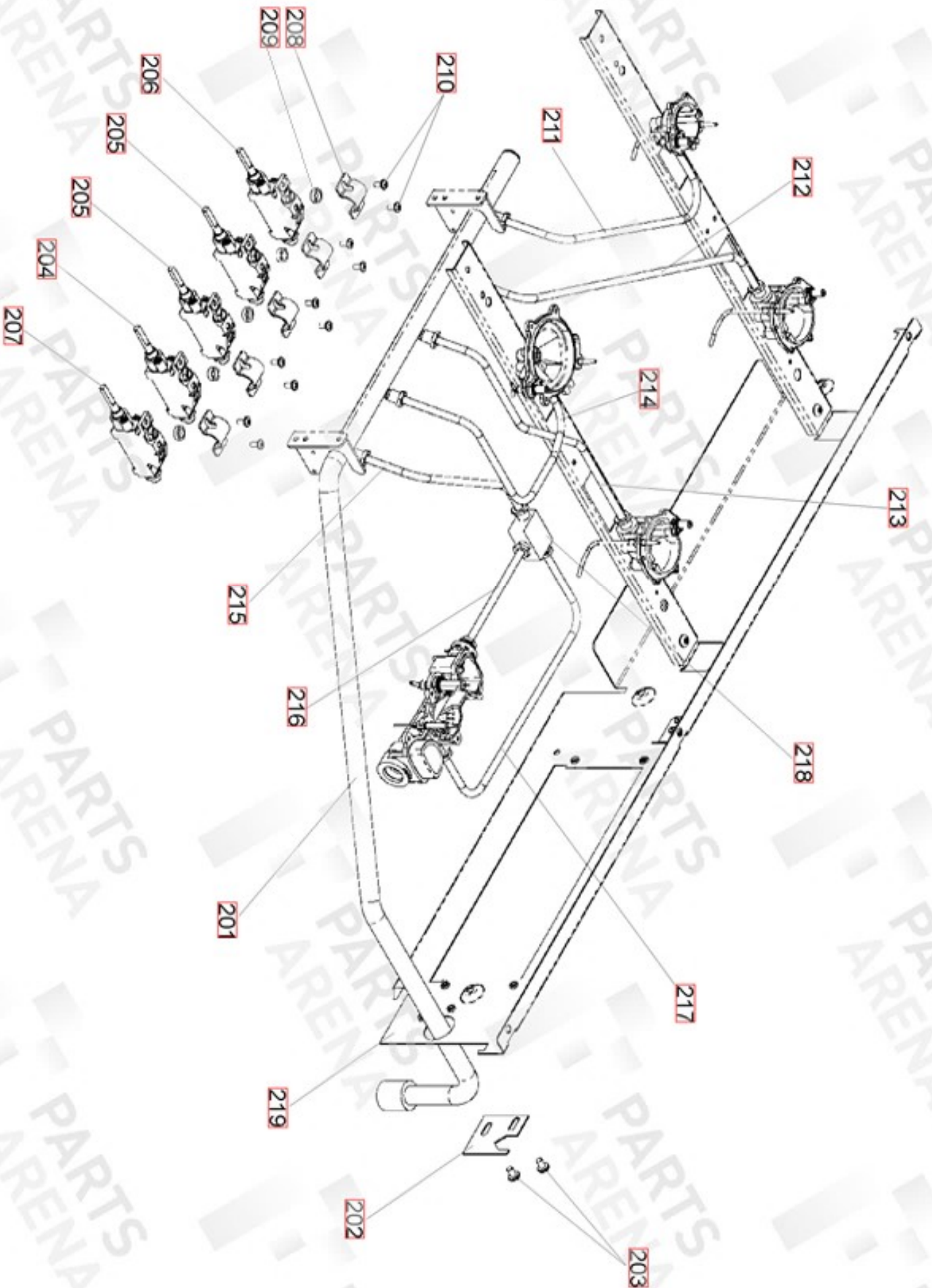
DATE 09.05.17

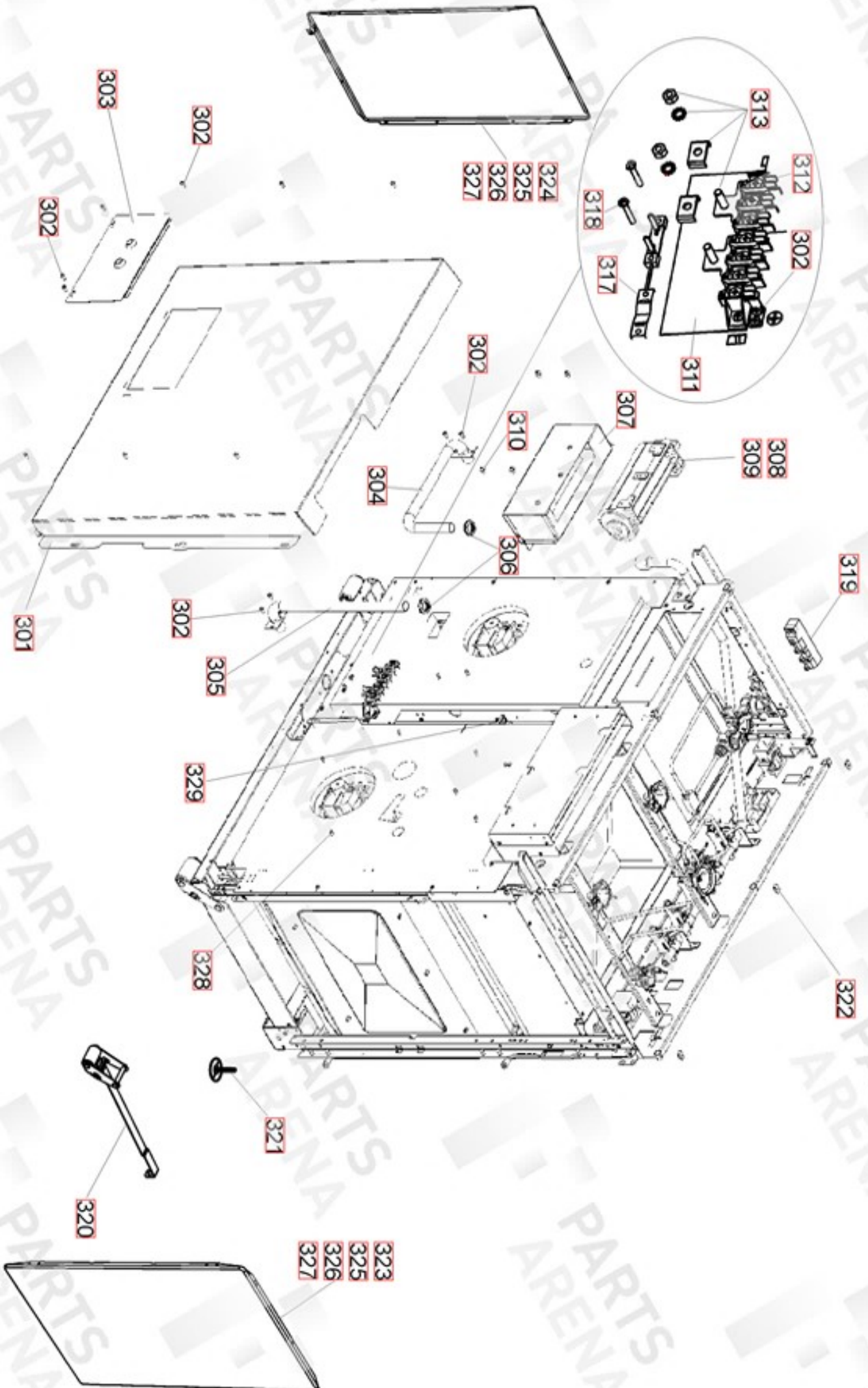
**DSL0711 P00**

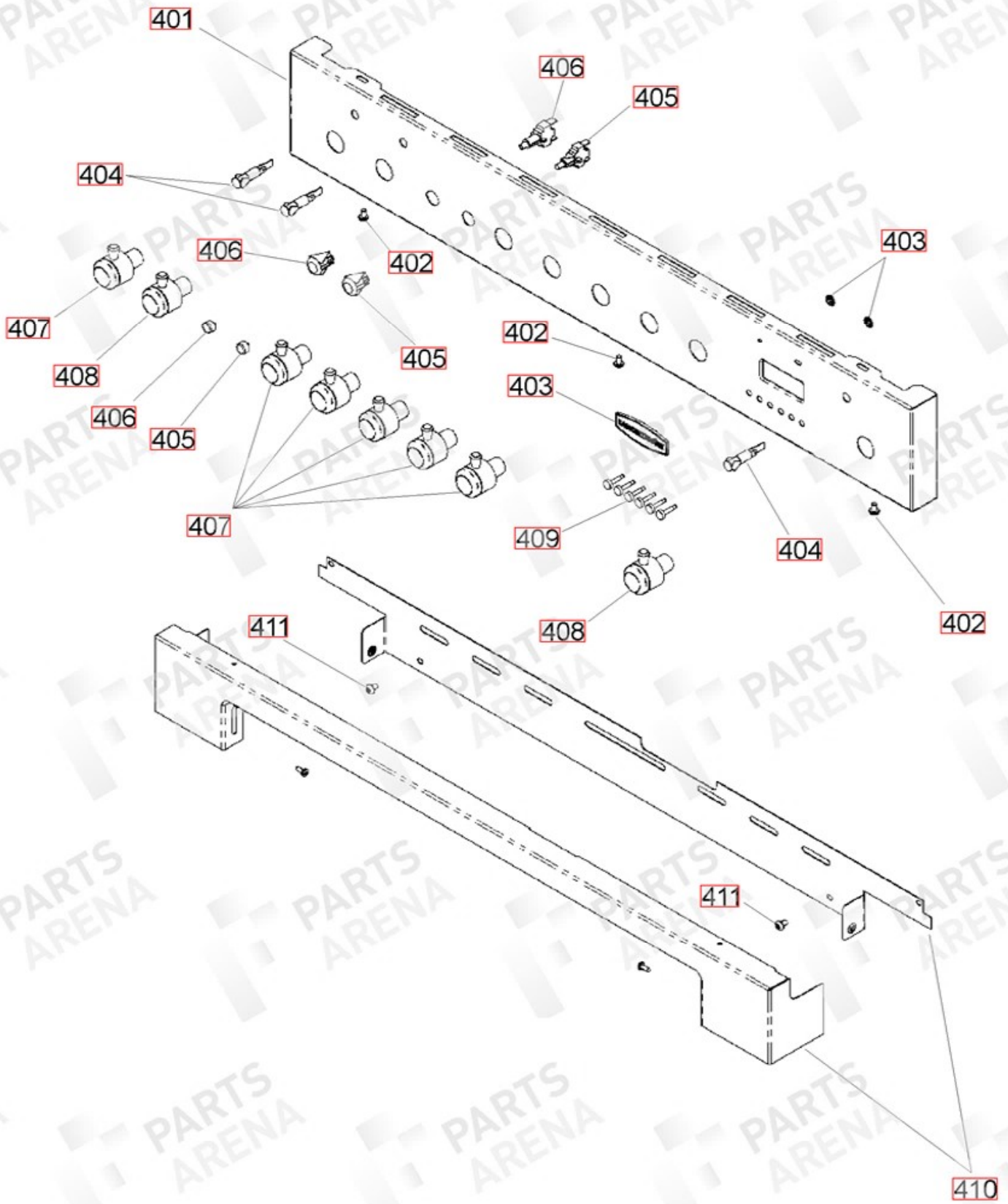
ISSUE: 01

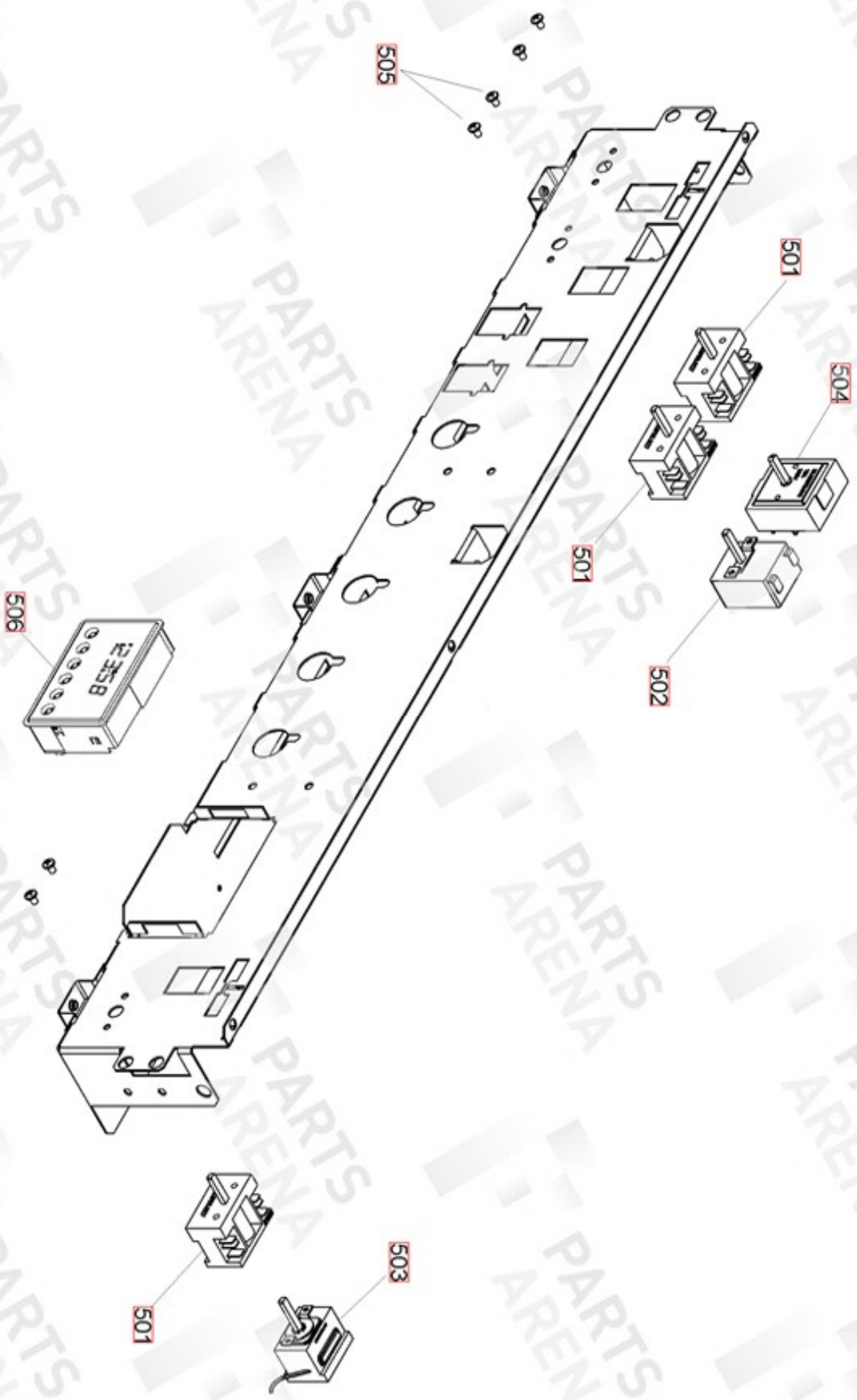


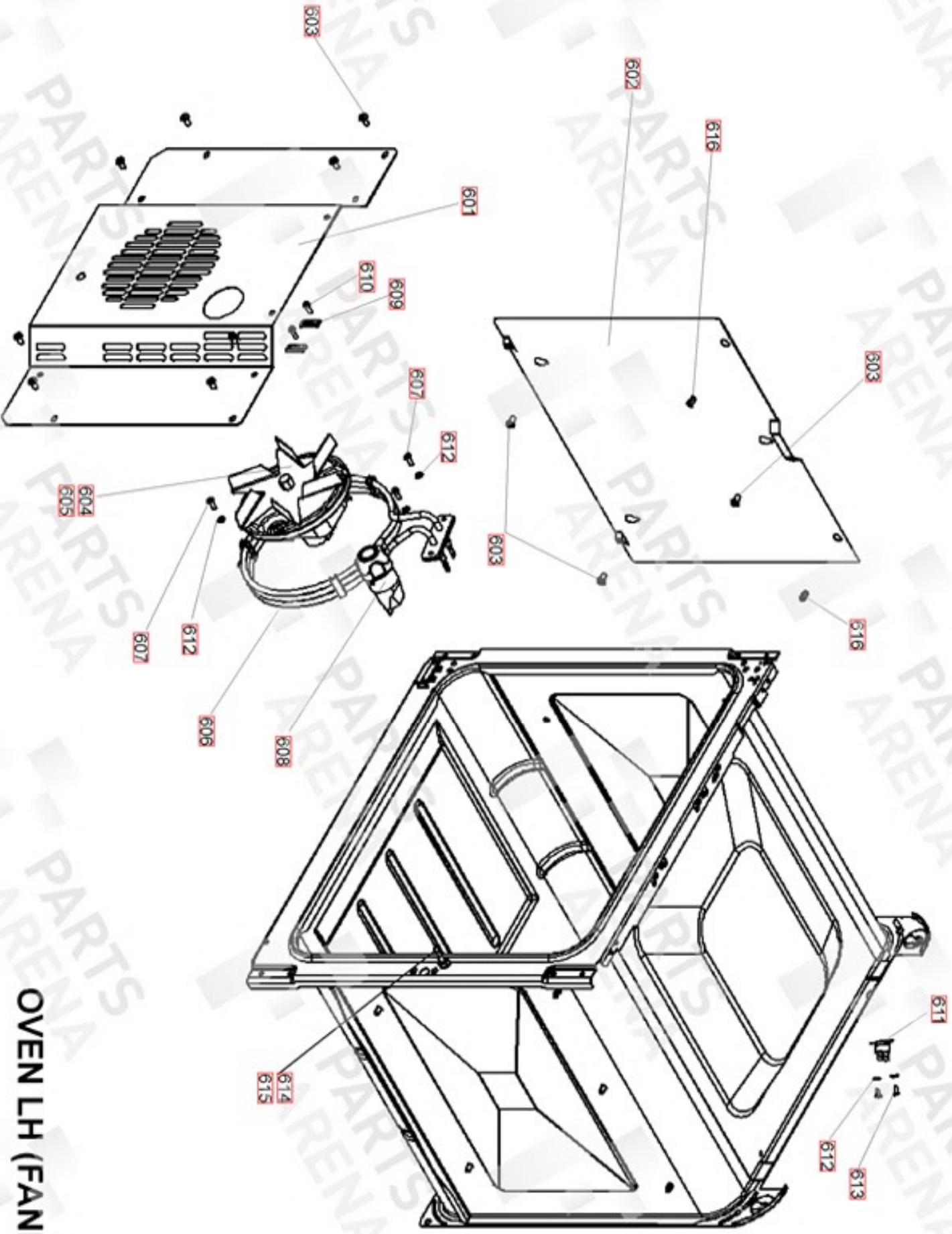




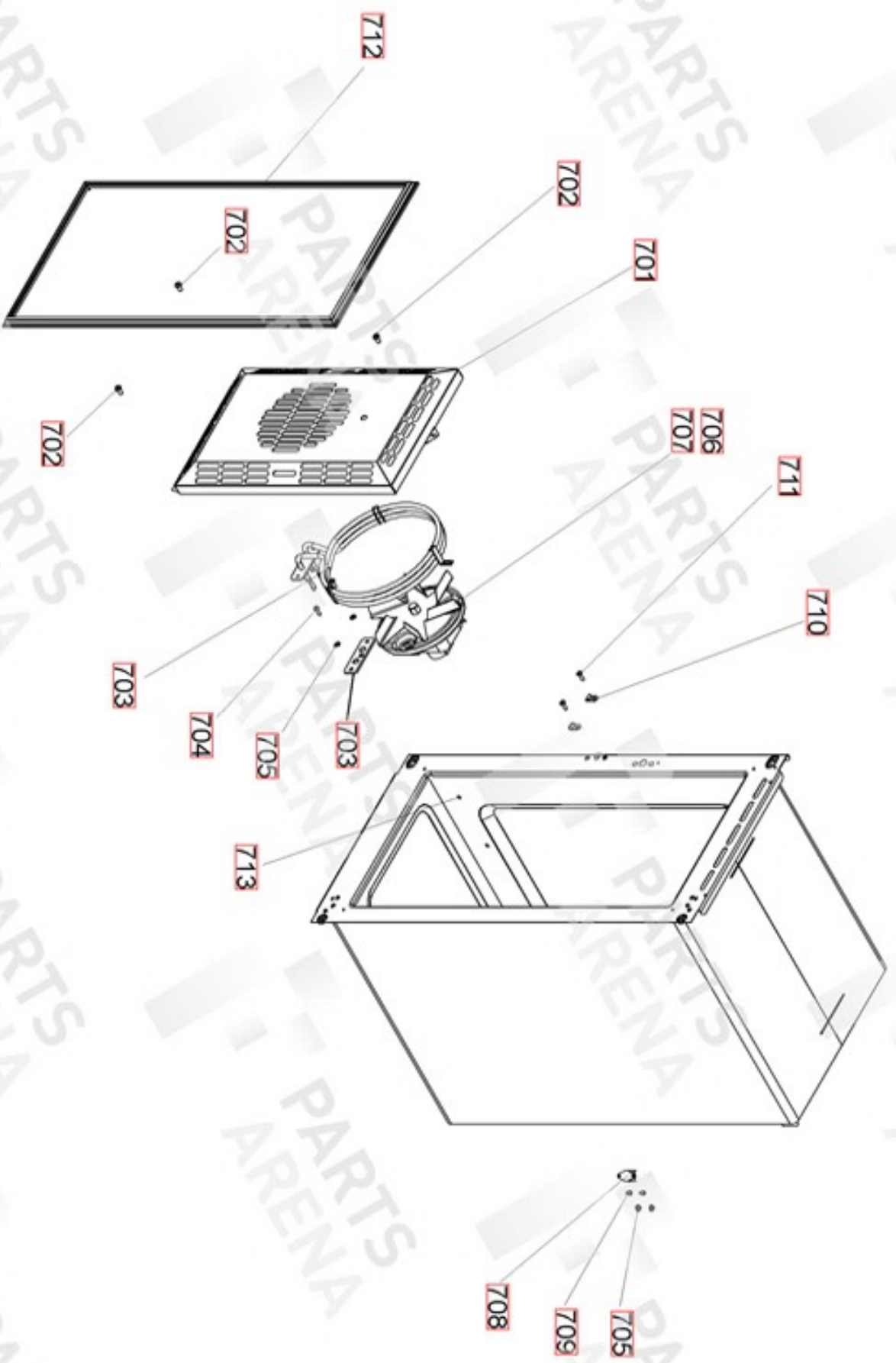






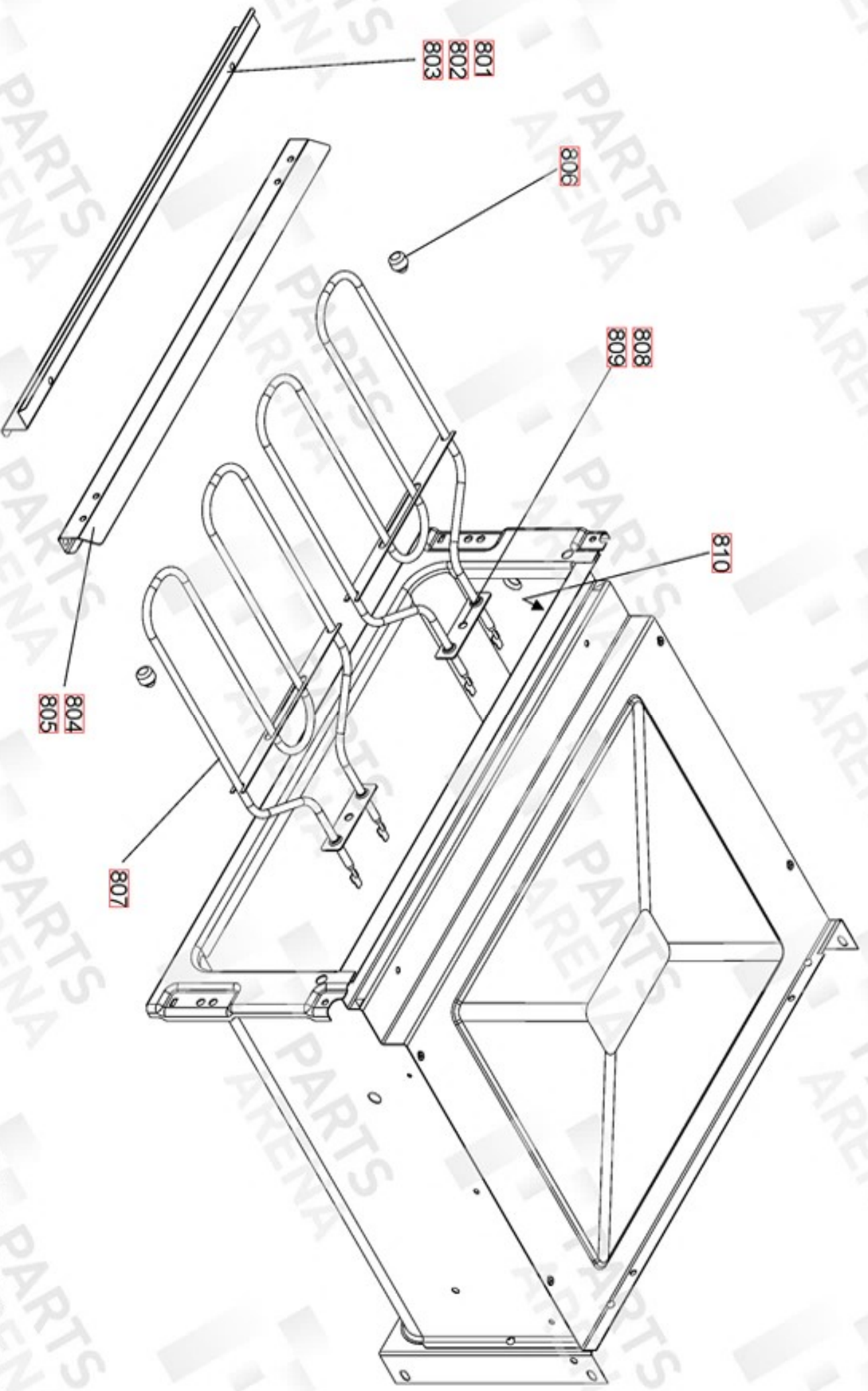


OVEN LH (FANNED+LIGHT)

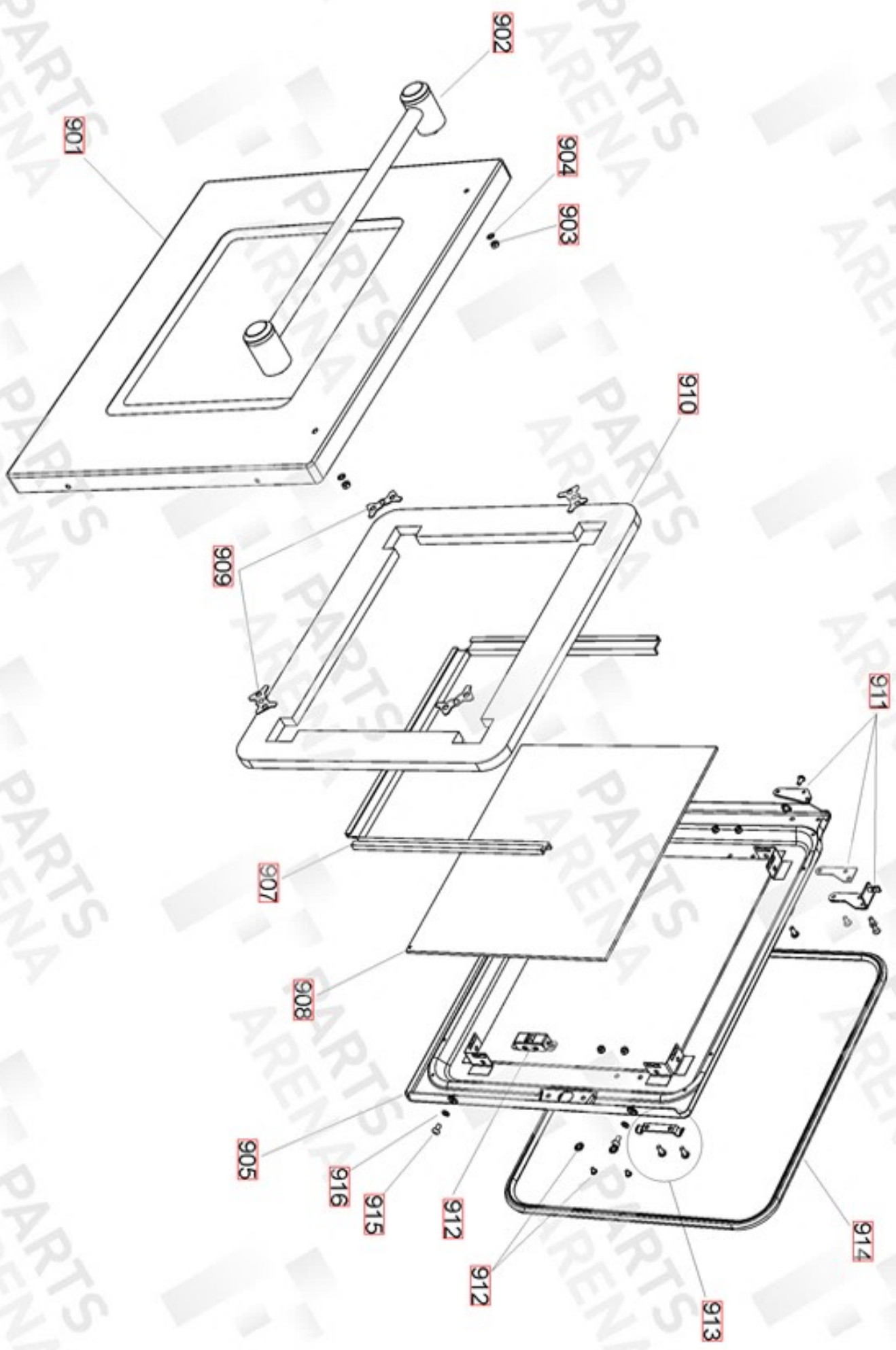


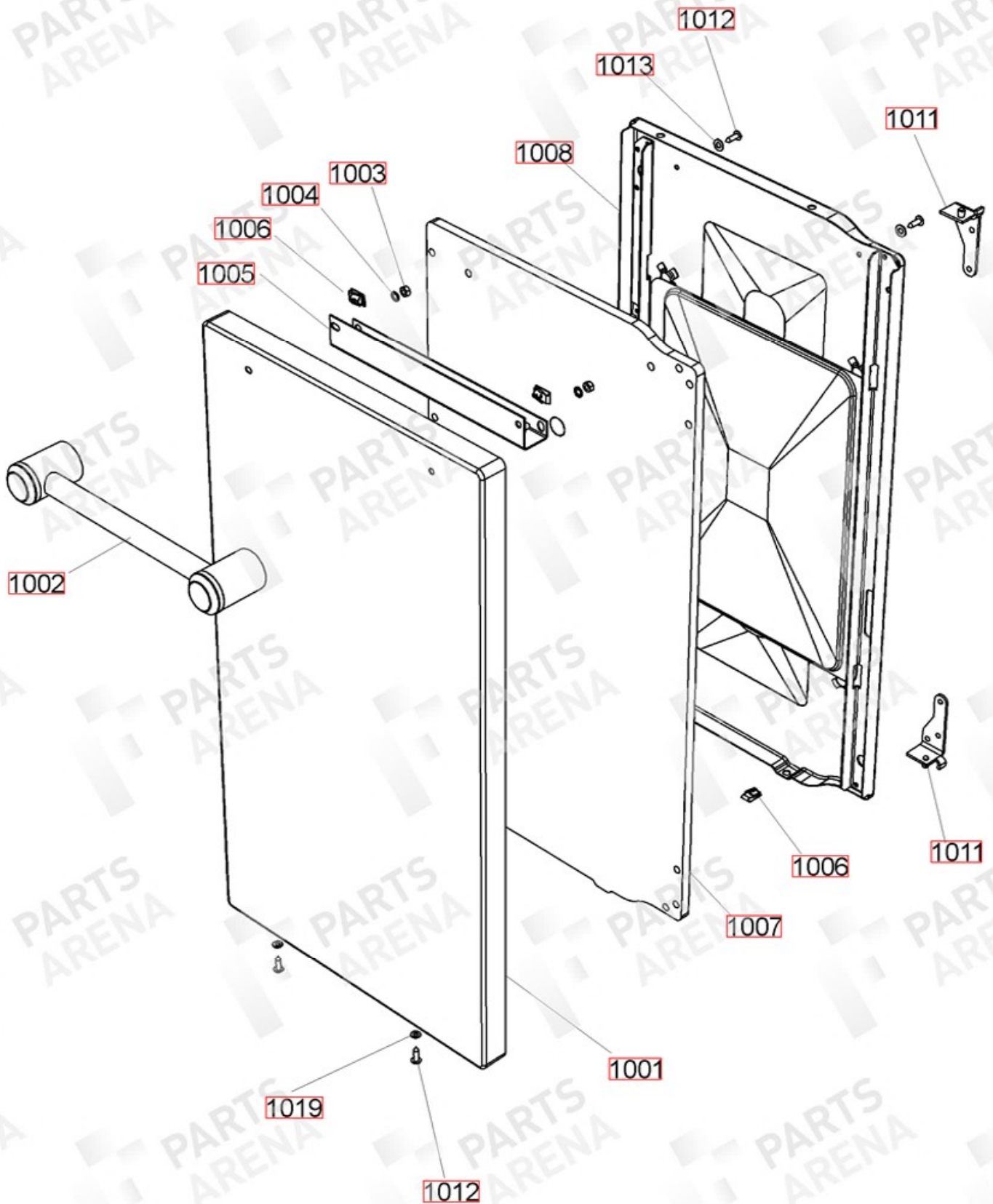
TALL OVEN





GRILL CHAMBER





1017  
(TOP FIXING)

1014

1015

1019

1020

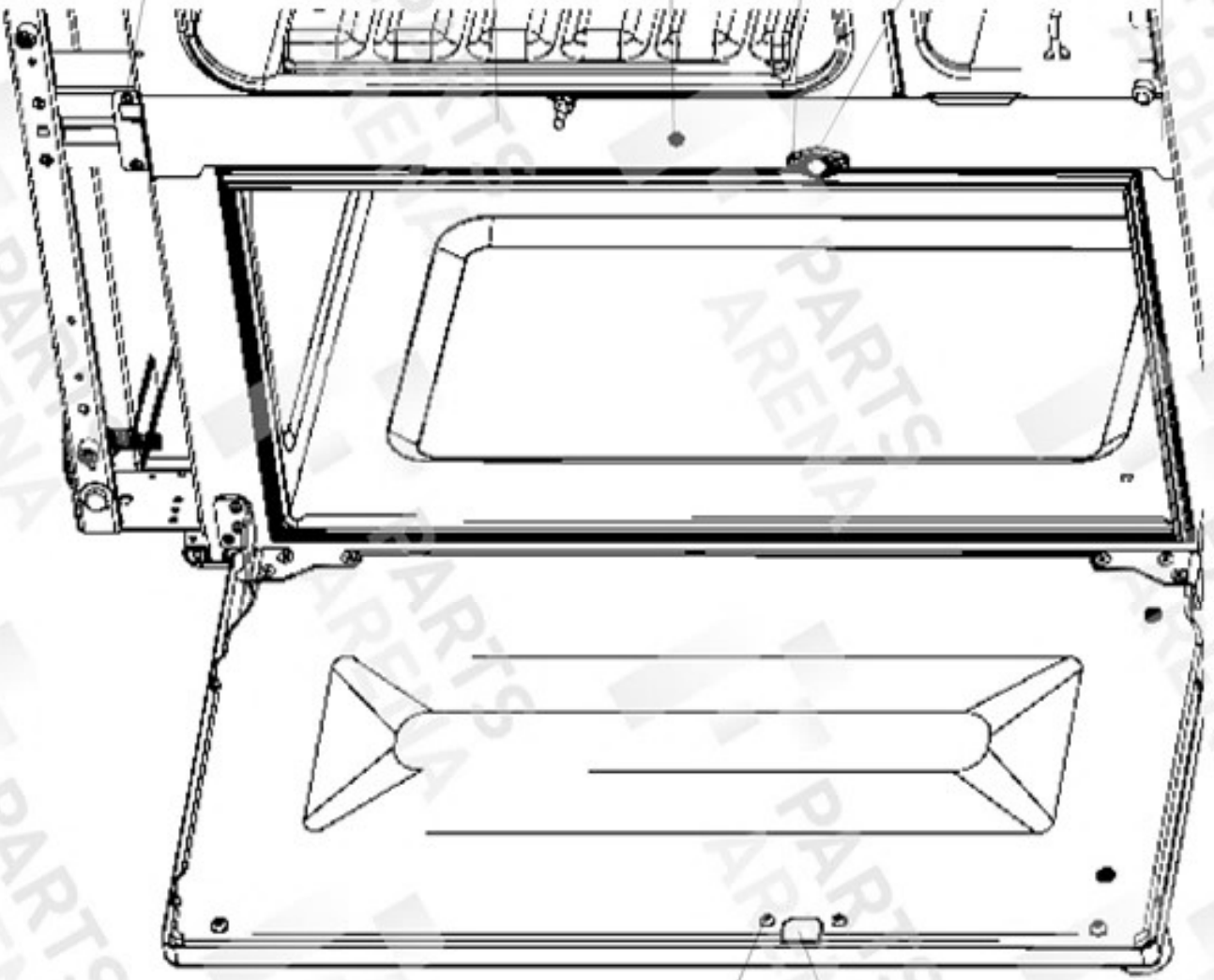
1016

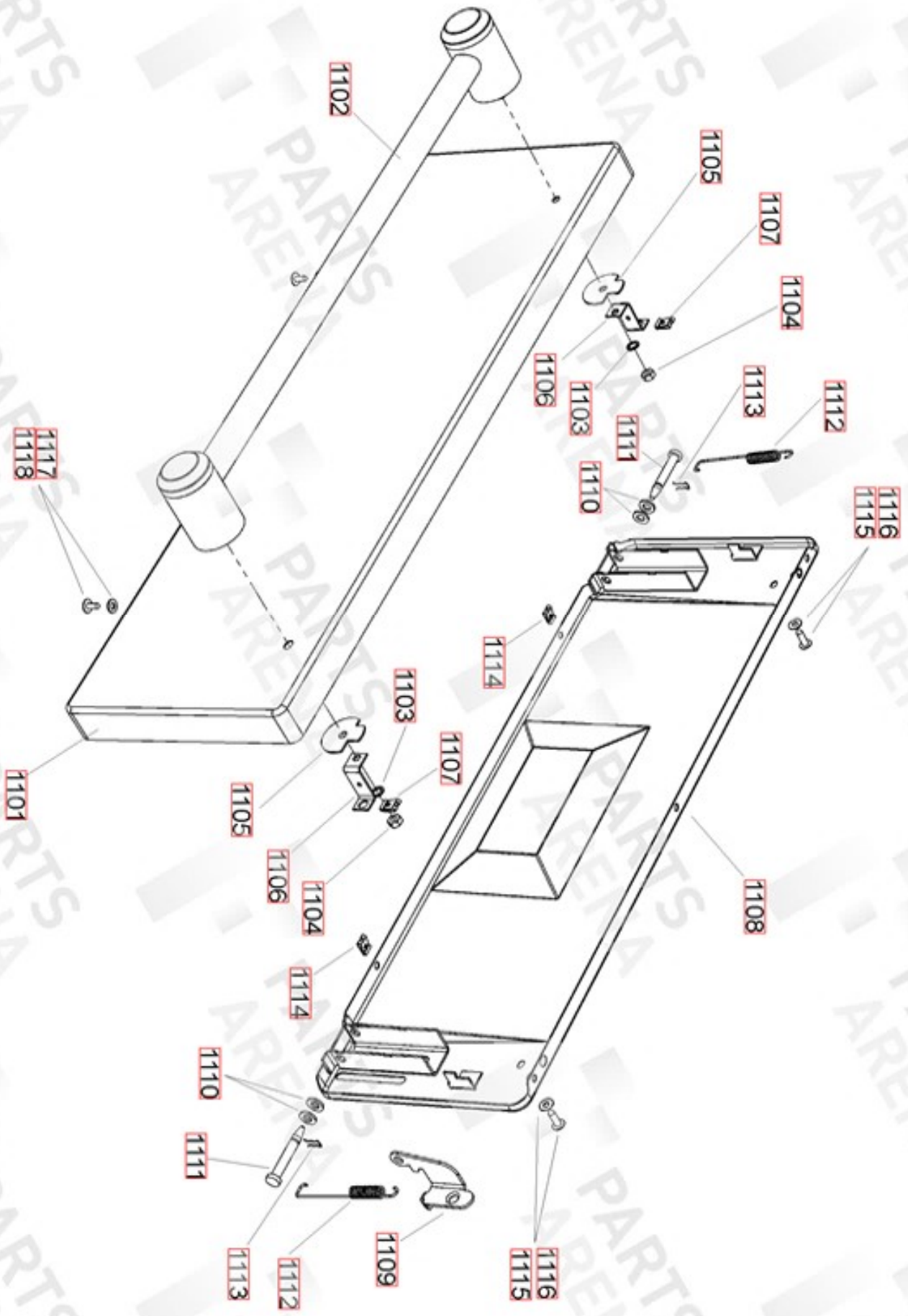
1018

1009

1010

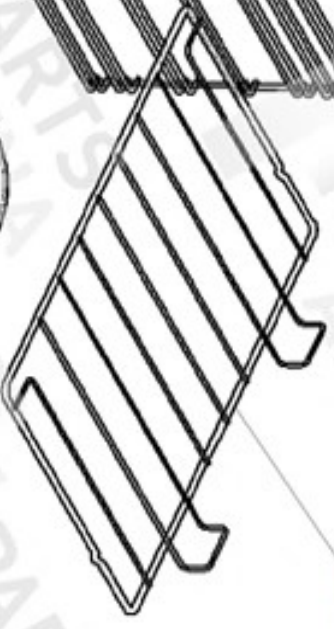
1019







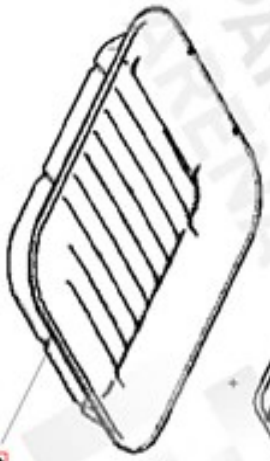
1207



1206



1208

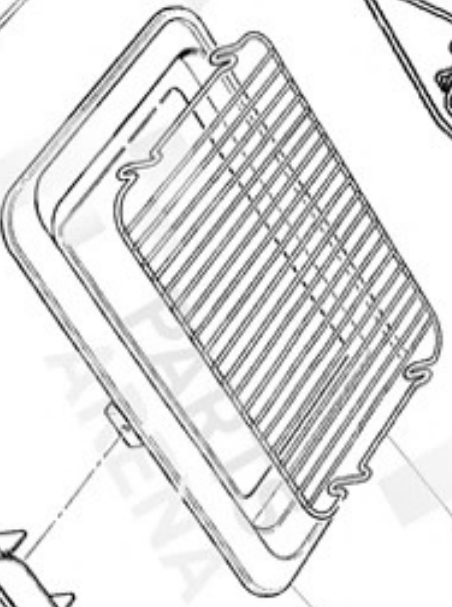


1209



1212

1211



1201

1202

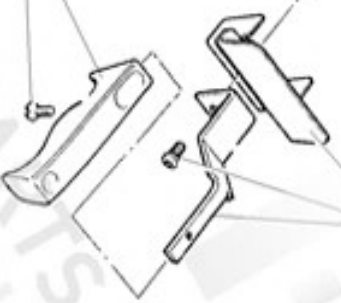
1204

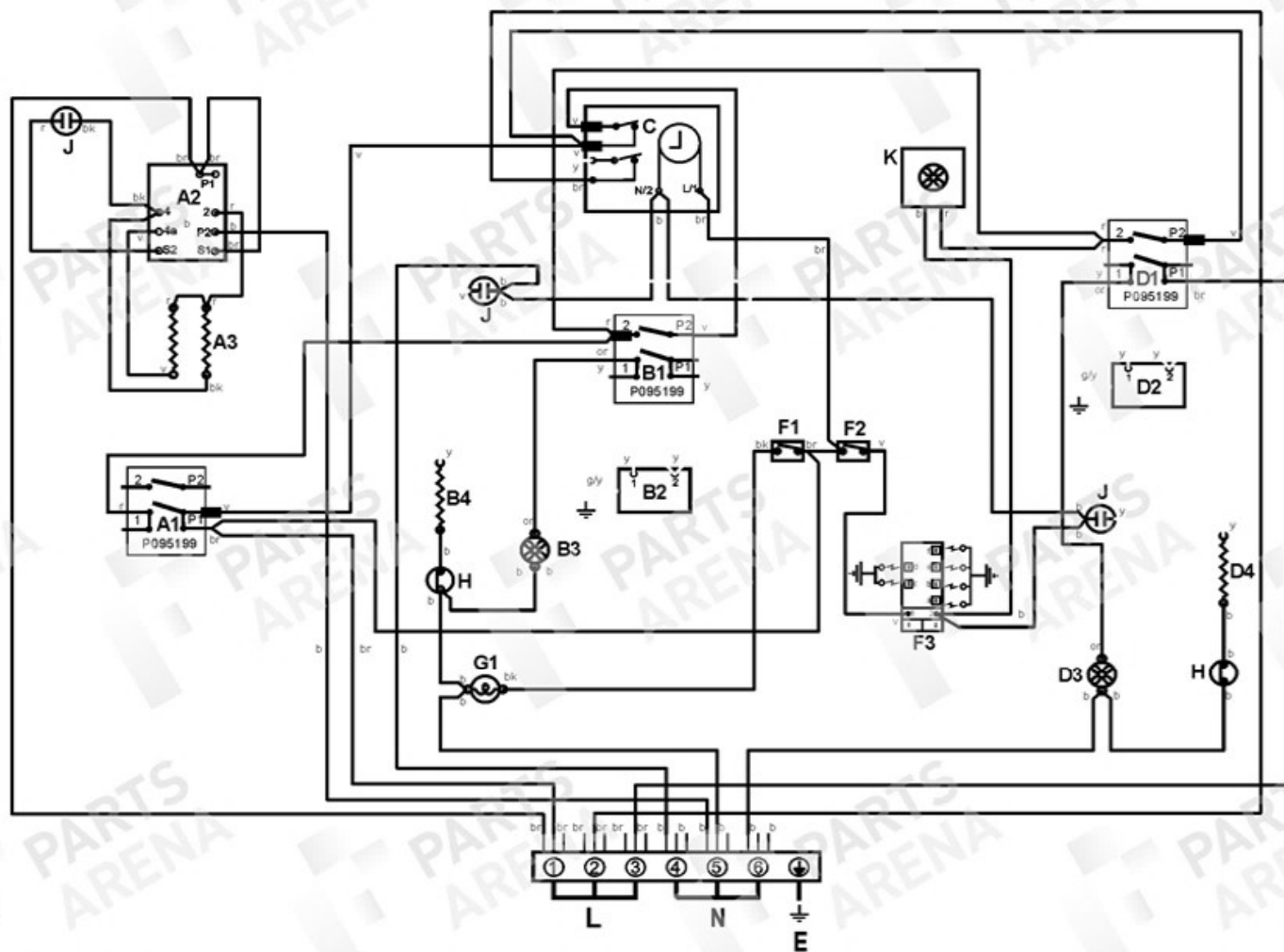
1205

1213  
(OPTIONAL)



1214  
(OPTIONAL)





Ref N°	Part N°	Quantity	Colour	Description
w1	P043964	1	b	WIRE 3 LINK RETURN LH OVEN
w2	P055374	2	g/y	NI - WIRE ASSEMBLY - GRILL ELEMENT EARTH
h1	P064453	1	or/y	WIRING HARNESS - LH FANNED OVEN
h2	P064445	1	r/bk/b/v/br	HARNESS - GRILL
h3	P064454	1	or/y/br	FANNED OVEN HARNESS
h4	P049242	1	clear	NI - HT HARNESS
w3	P037863	2	y	WIRE ASSEMBLY
w4	P049241	1	g/y	NI - WIRE ASSEMBLY
w5	P040066	2	b	WIRE ASSY - NEU-LINK T'OUT CUTS
w6	P094943	3	g/y	NI - WIRE ASSEMBLY - HOTPLATE & T'STAT EARTH'S
h5	P064447	1	r/v	HARNESS - COOLING FAN
w7	P064448	1	br	BROWN LINK - TB TO TIMER RELAY
w8	P048632	1	y	YELLOW LINK TIMER LH OVEN SWITCH
h6	P066225	1	bk/br/b/v	HARNESS AUX 2 HAND IGN 1 LIGHT
w9	P095443	1	b	WIRE ASSEMBLY
w10	P027672	1	g/y	NI - WIRE ASSY - EARTH LINKS
w11	P095450	1	g/y	NI - WIRE ASSEMBLY - EARTH LINKS

**Key**

The connections shown in this diagram are for single-phase. The ratings are 230V 50Hz

Code	Description
A1	Grill front switch
A2	Grill energy regulator
A3	Grill elements
B1	Left- hand fanned oven front switch
B2	Left-hand fanned oven thermostat
B3	Left-hand fan oven element
B4	Left-hand oven element
C	Clock
D1	Right-hand oven front switch
D2	Right-hand oven thermostat

Code	Description
D3	Right-hand fan oven element
D4	Right-hand oven element
F1	Oven light switch
F2	Ignition switch
F3	Ignition spark generator
G1	Left-hand oven light
H	Thermal cut-out
J	Neon
K	Cooling fan

Code	Colour
b	Blue
br	Brown
bk	Black
or	Orange
r	Red
v	Violet
w	White
y	Yellow
g/y	Green/yellow