

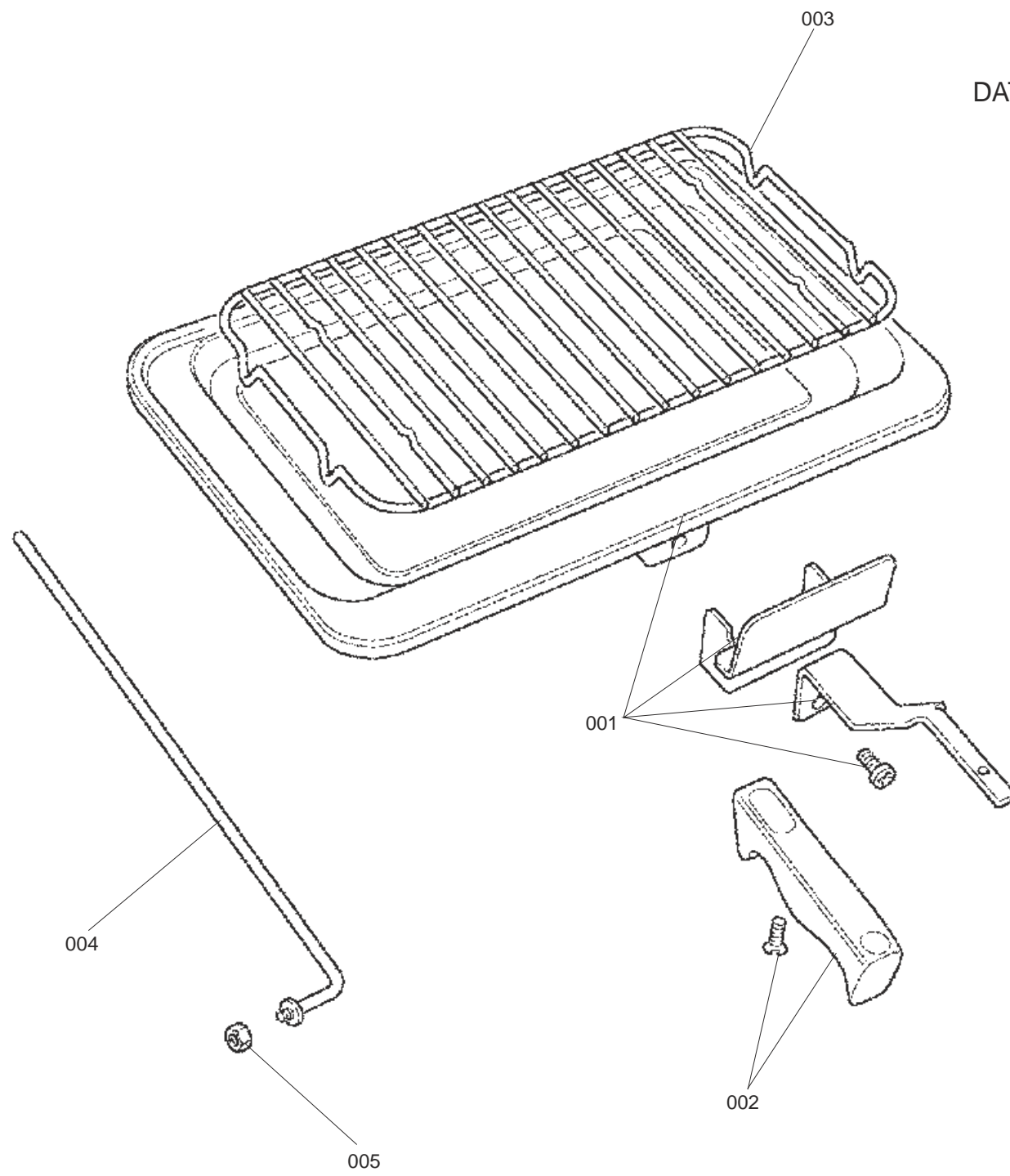
**APPLIANCE NAME:
KITCHENER 110 DF EU (FSD)**

DSL0794 P00
DATE 06.03.2019 ISSUE STATUS 001



ALL MODELS

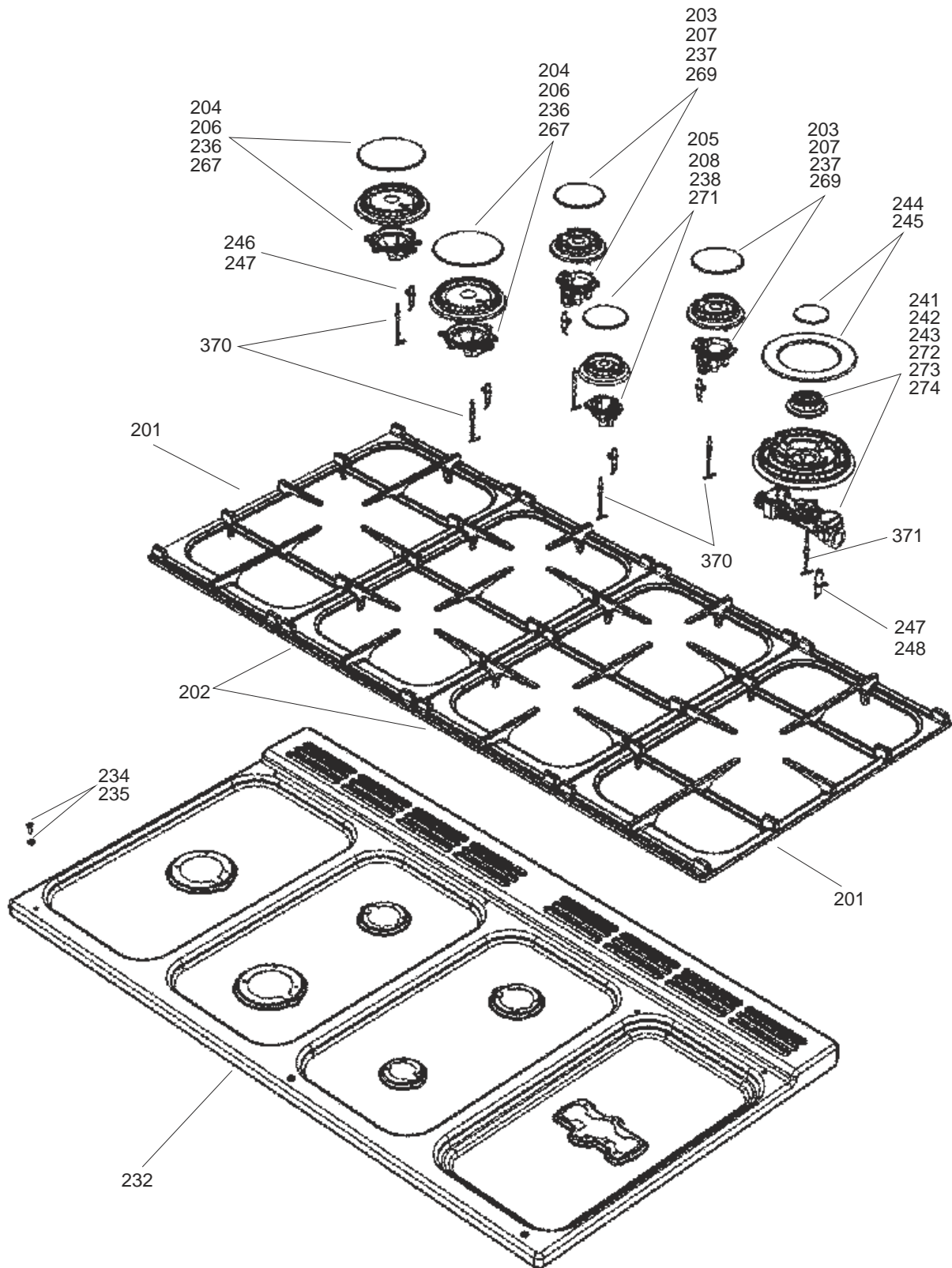
DSL0794 P01
DATE 06.03.2019 ISSUE STATUS 001



GRILL PAN

ALL MODELS

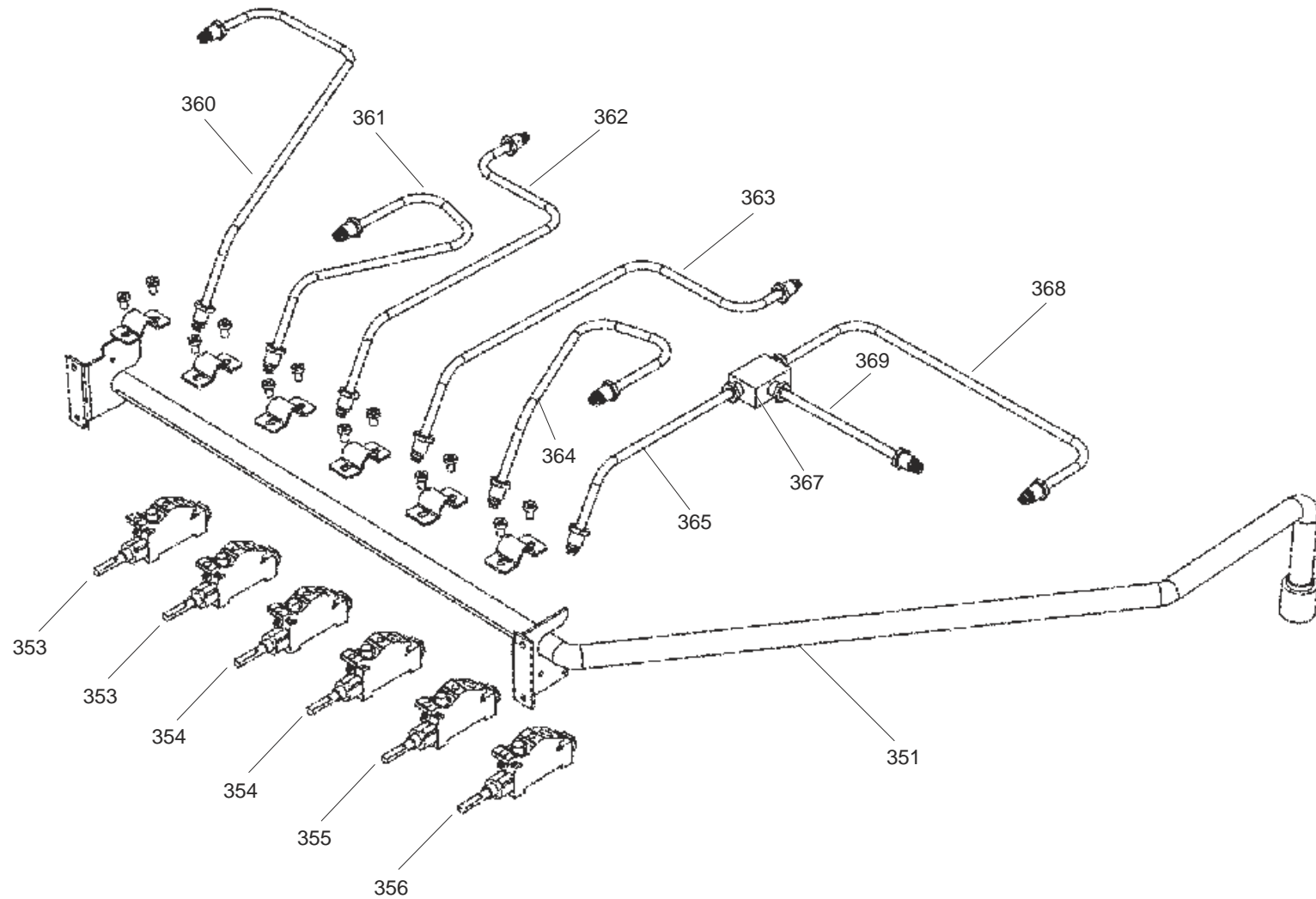
DSL0794 P02
DATE 06.03.2019 ISSUE STATUS 001



COOKER TOP

ALL MODELS

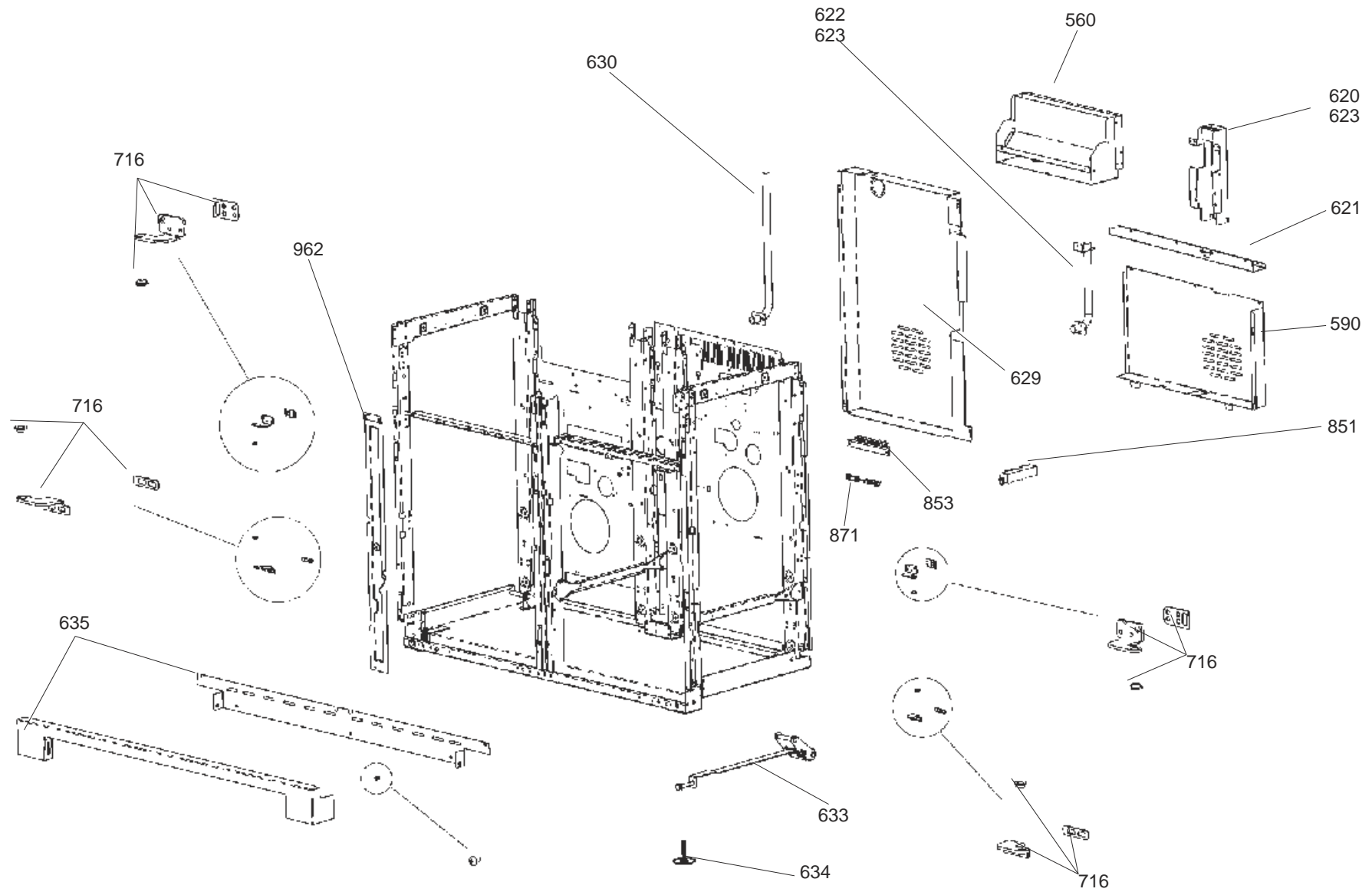
DSL0794 P03
DATE 06.03.2019 ISSUE STATUS 01



GAS RAIL - TAPS - INJECTORS AND PIPES

ALL MODELS
FROM SERIAL NUMBER 206000

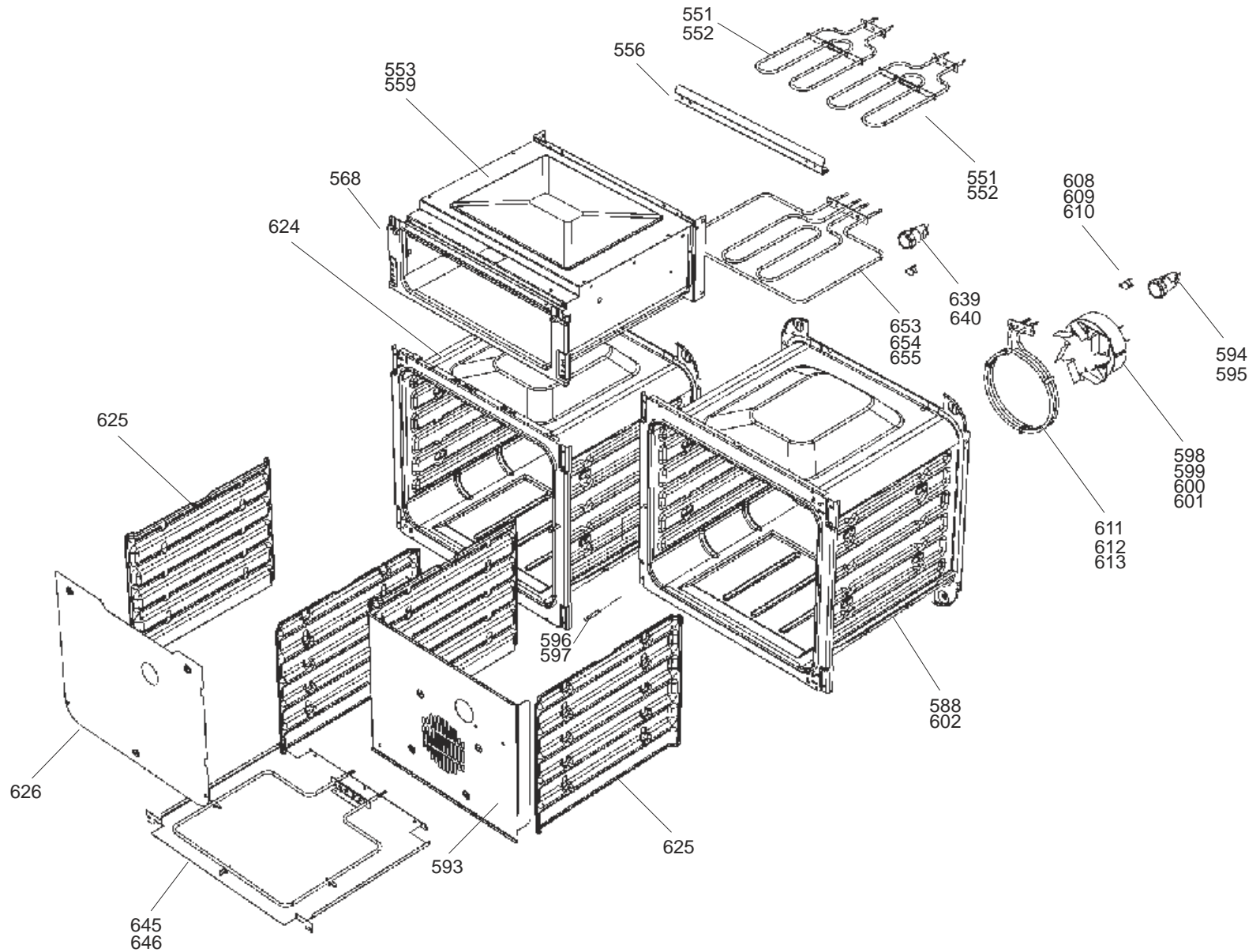
DSL0794 P04
DATE 06.03.2019 ISSUE STATUS 01



CHASSIS AND FRAME ASSEMBLY

ALL MODELS

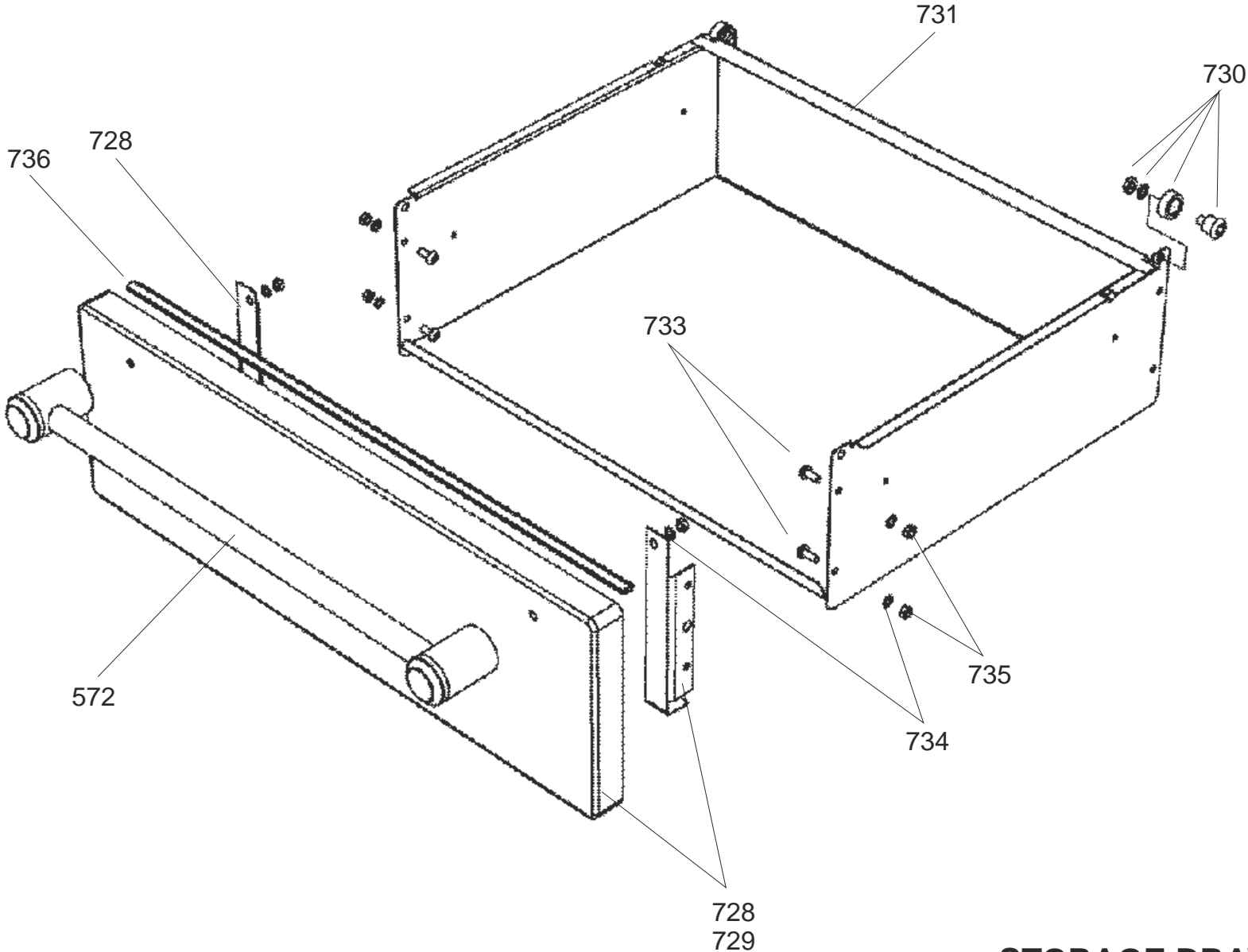
DSL0794 P05
DATE 06.03.2019 ISSUE STATUS 001



LH OVEN - RH OVEN AND GRILL CHAMBER

ALL MODELS

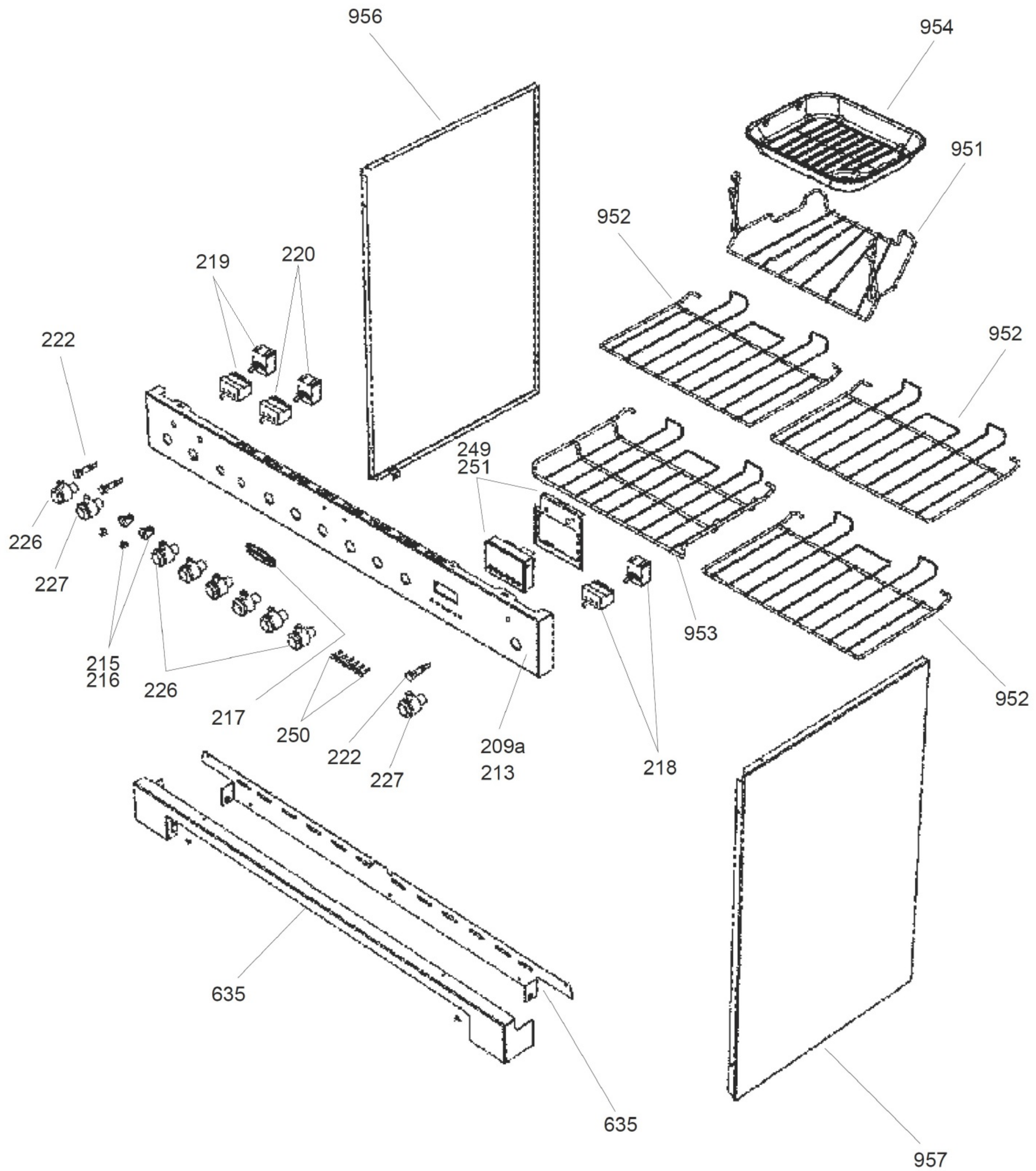
DSL0794 P06
DATE 06.03.2019 ISSUE STATUS 001



STORAGE DRAWER

ALL MODELS

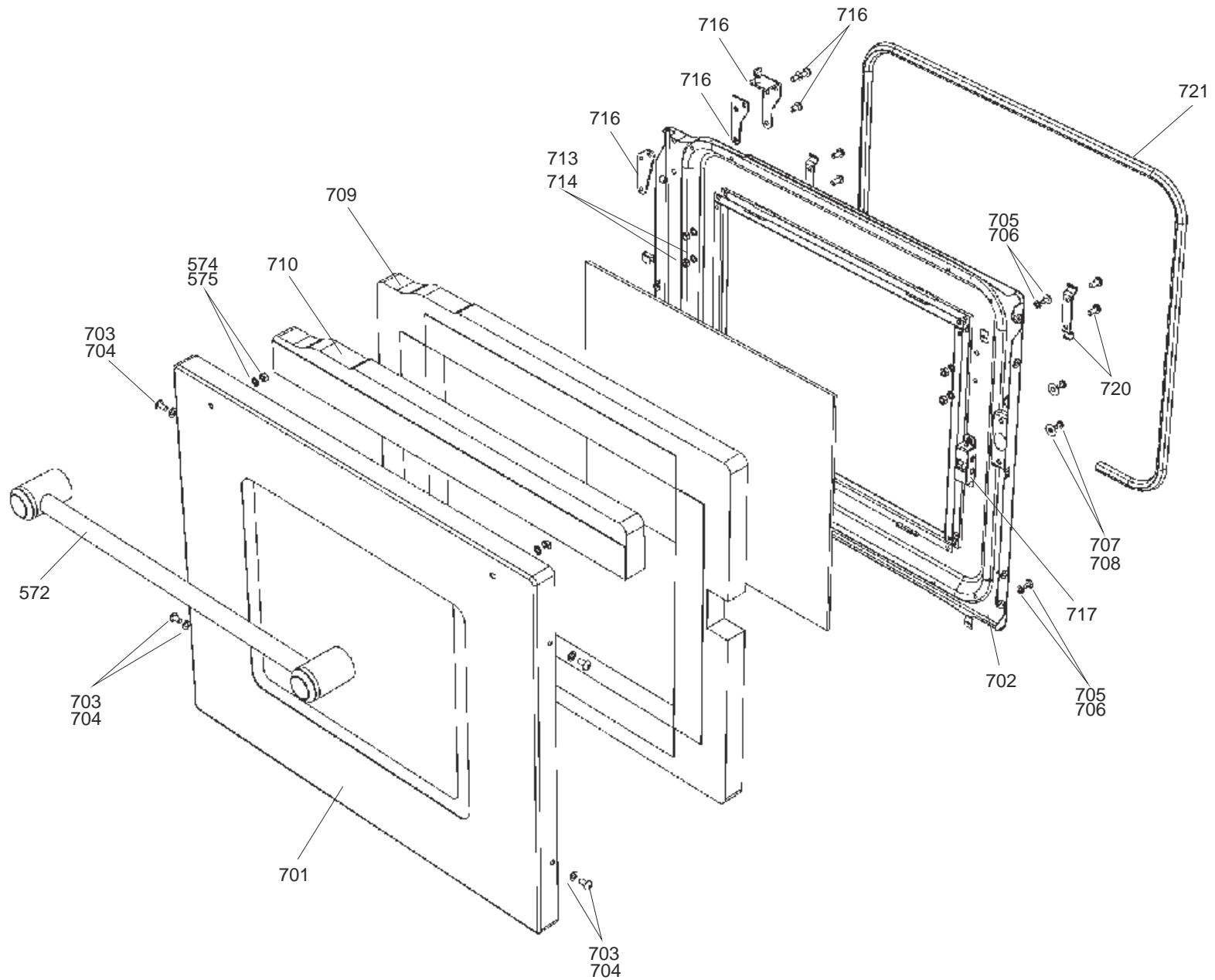
DSL0794 P07
DATE 06.03.2019 ISSUE STATUS 001



OVEN ACCESSORIES

ALL MODELS

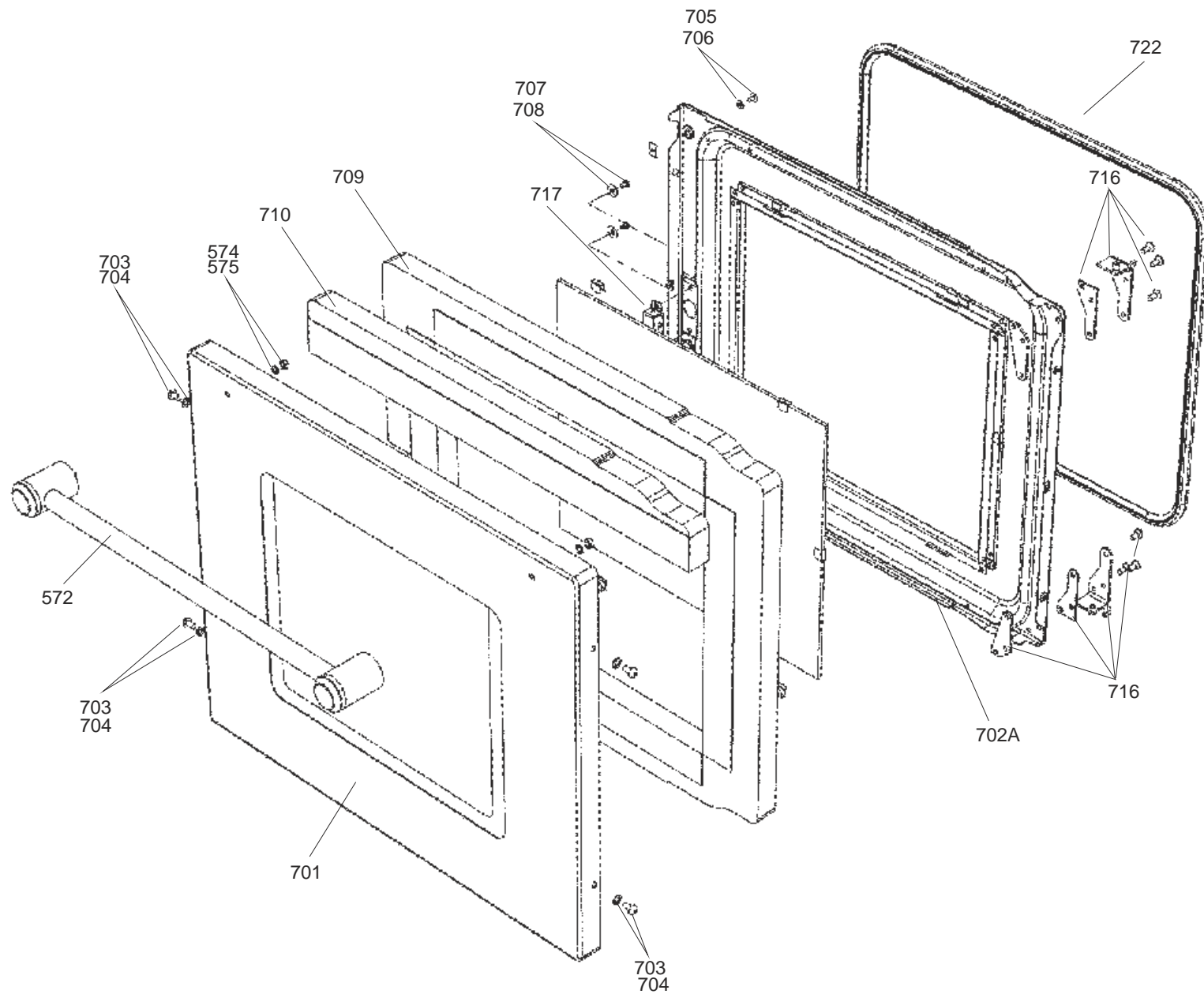
DSL0794 P08
DATE 06.03.2019 ISSUE STATUS 001



LH OVEN DOOR

ALL MODELS

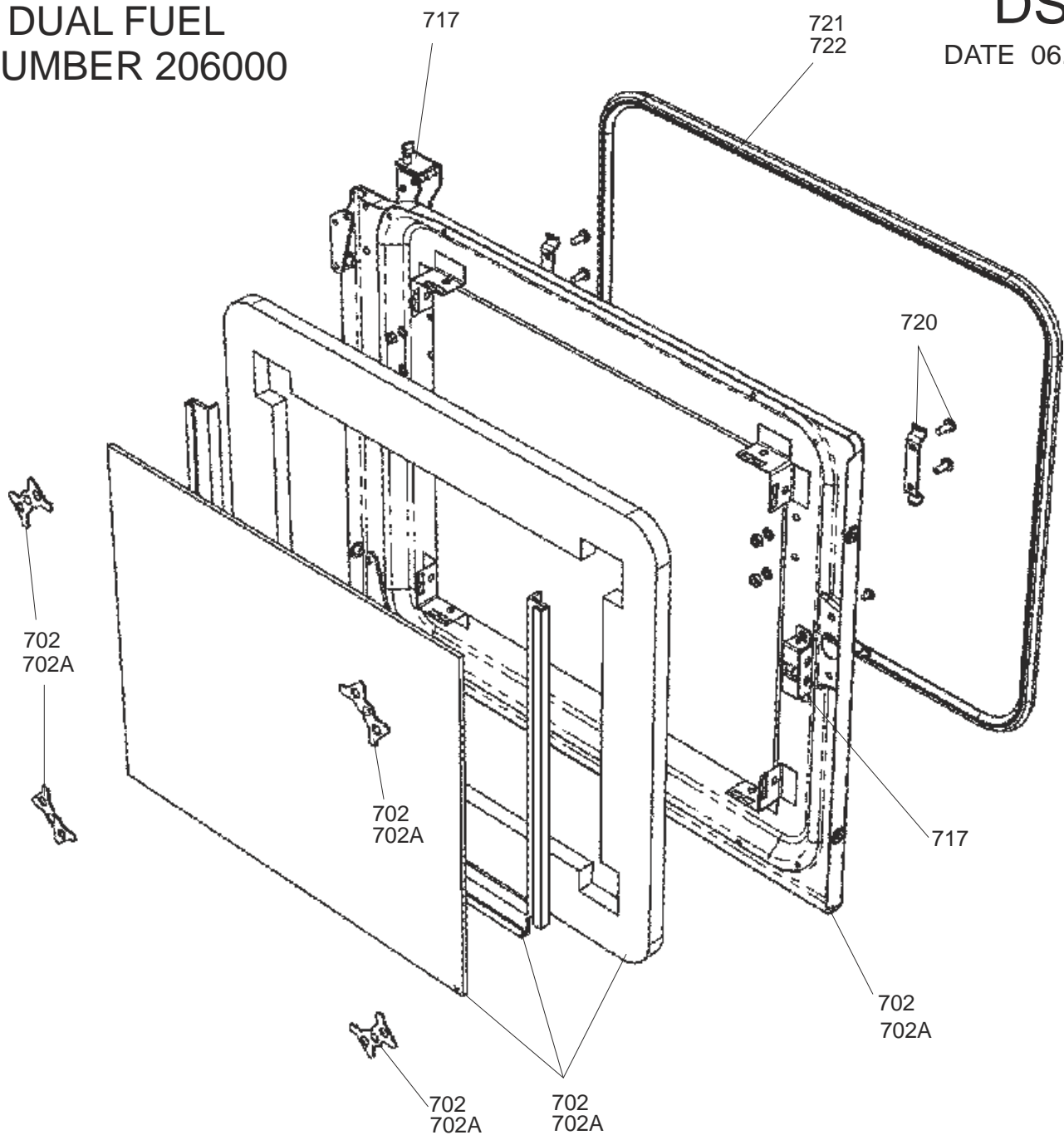
DSL0794 P09
DATE 06.03.2019 ISSUE STATUS 001



RH OVEN DOOR

KITCHENER 110 DUAL FUEL
FROM SERIAL NUMBER 206000

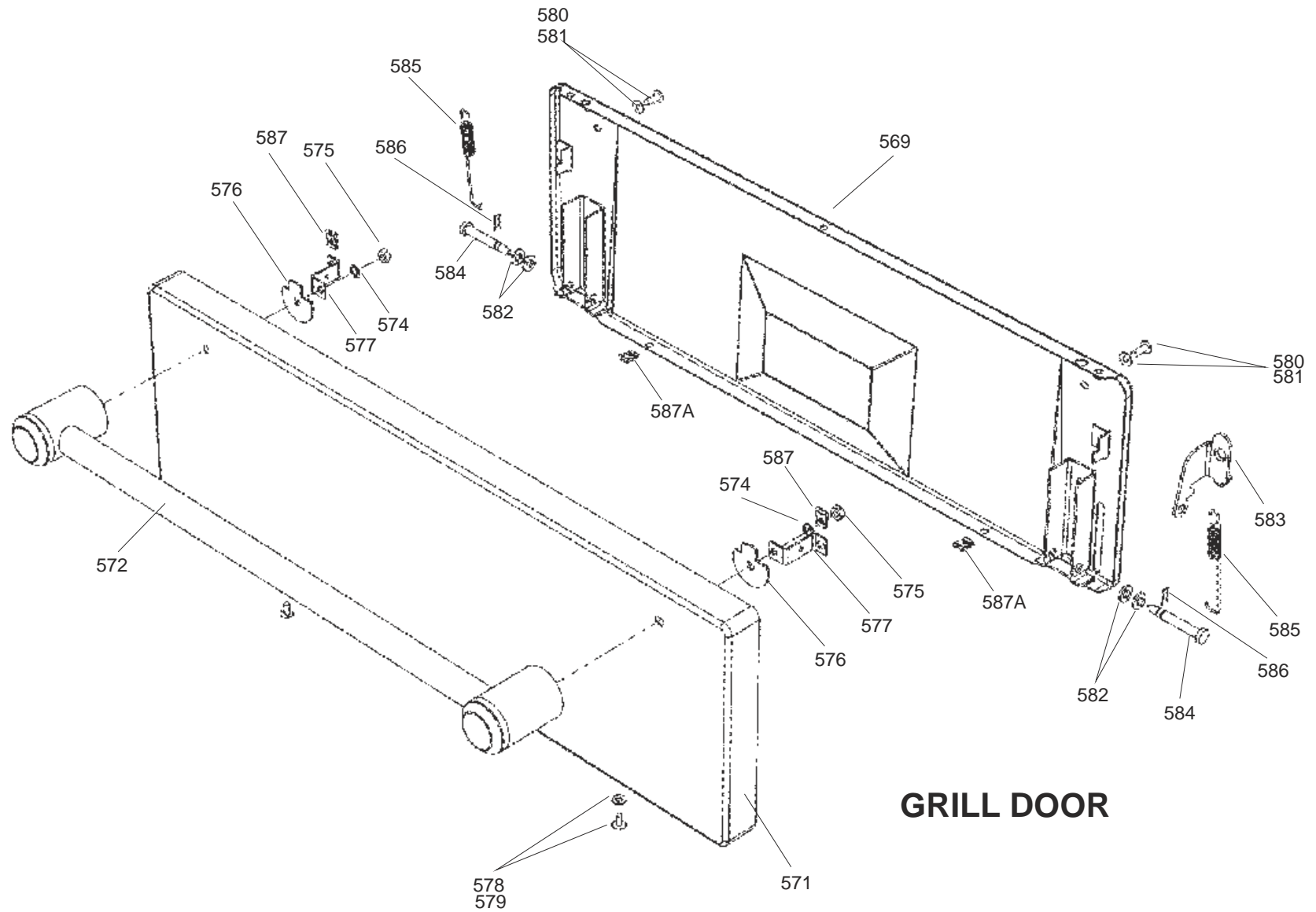
DSL0794 P09A
DATE 06.03.2019 ISSUE STATUS 01



LH AND RH OVEN DOOR INFILLS

ALL MODELS

DSL0794 P10
DATE 06.03.2019 ISSUE STATUS 001



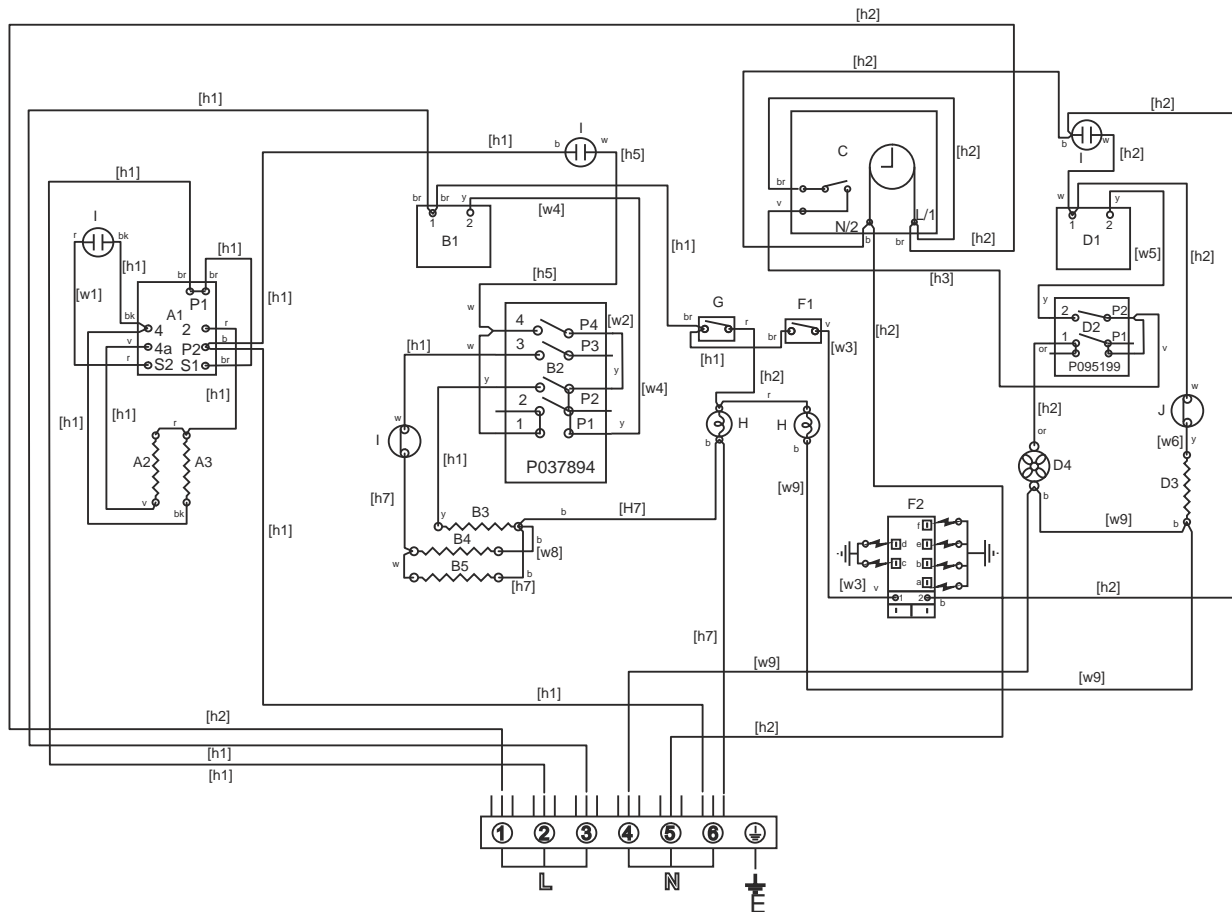
GRILL DOOR

KITCHENER 110 DF/NG FSD

FROM SERIAL NUMBER 206000

DSL0794 P11A

ISSUE STATUS 01 DATE 06.03.2019



Code	Description	Code	Description
b	Blue	A1	Grill Energy Regulator
br	Brown	A2	Left Hand Grill Element
bk	Black	A3	Right Hand Grill Element
or	Orange	B1	Left Hand Oven Thermostat
r	Red	B2	Left Hand Oven Switch
v	Violet	B3	Left Hand Oven Browning Element
w	White	B4	Left Hand Oven Top Element
y	Yellow	B5	Left Hand Oven Bottom Element
g/y	Green / Yellow	C	Clock
		D1	Right Hand Oven Thermostat
		D2	Right Hand Oven Front Switch
		D3	Right Hand Oven Element
		D4	Right Hand Oven Fan
		F1	Spark Ignition Switch
		F2	Spark Generator
		G	Light Switch
		H	Light Left Hand / Right Hand
		I	Thermal Cut-Out

WIRING DIAGRAM