

APPLIANCE NAME:
KITCHENER 110 CERAMIC

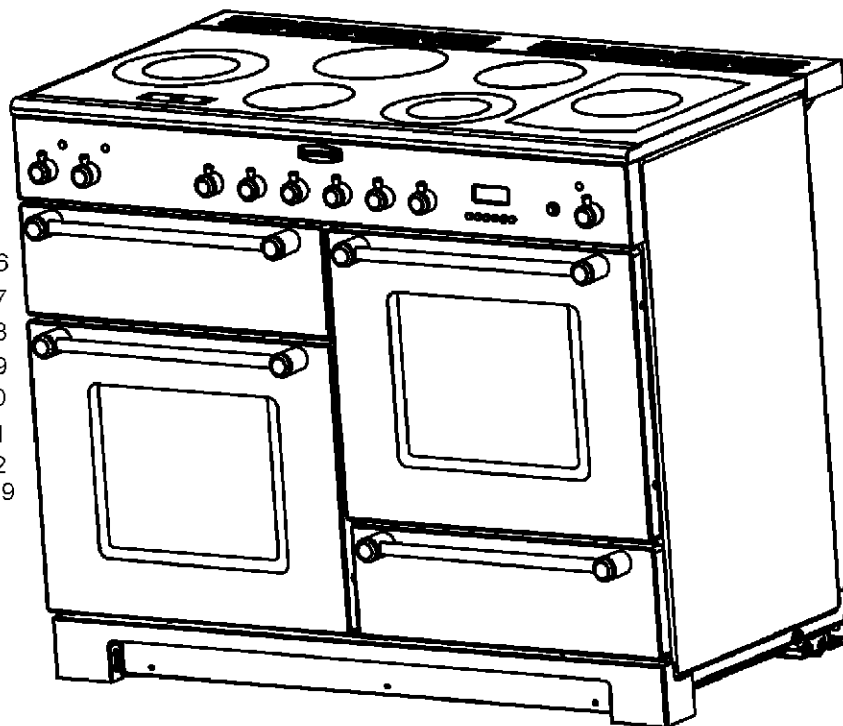
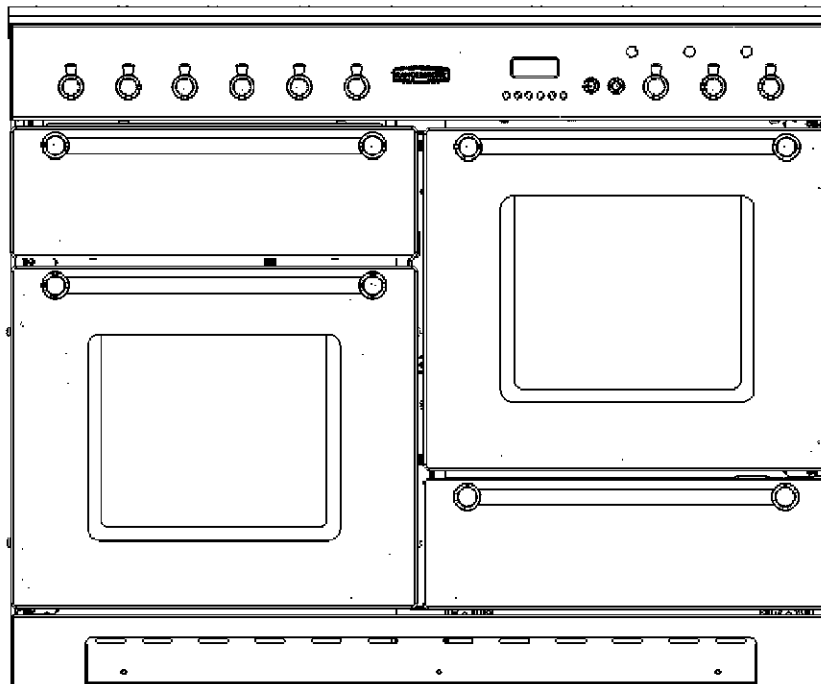
DATE 19.05.11

DSL0291 P00

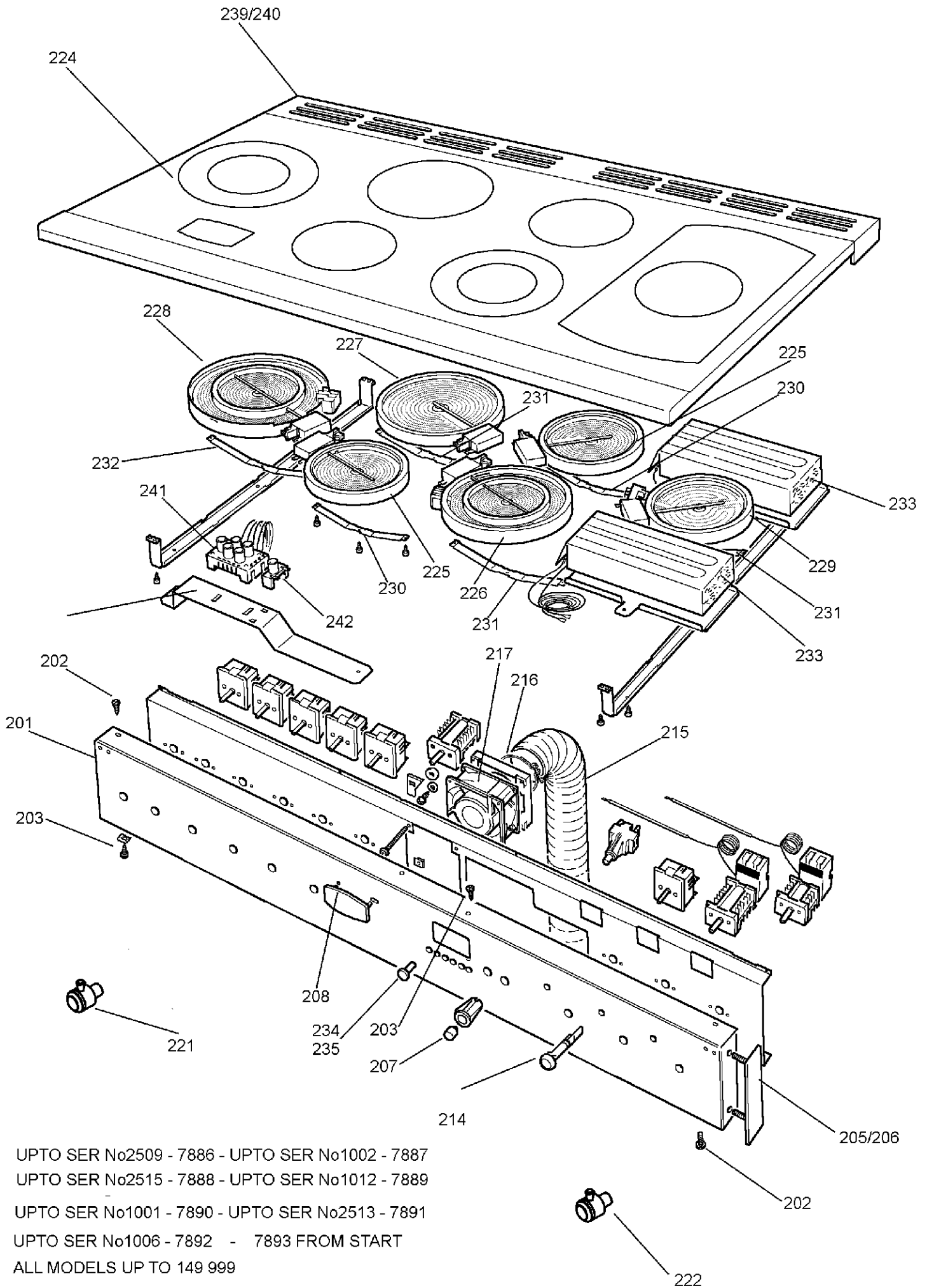
ISSUE STATUS 03

UPTO SER No2509 - 7886 - UPTO SER No1002 - 7887 - UPTO SER No2515 - 7888 - UPTO SER No1012 - 7889

UPTO SER No 1001 - 7890 - UPTO SER No2513 - 7891 - UPTO SER No1006 - 7892 - 7893 FROM START



FROM SER No2510 - 7886
FROM SER No1003 - 7887
FROM SER No2516 - 7888
FROM SER No1013 - 7889
FROM SER No1002 - 7890
FROM SER No2514 - 7891
FROM SER No1007 - 7892
ALL UP TO SER No 149999
& FROM SER No 150000

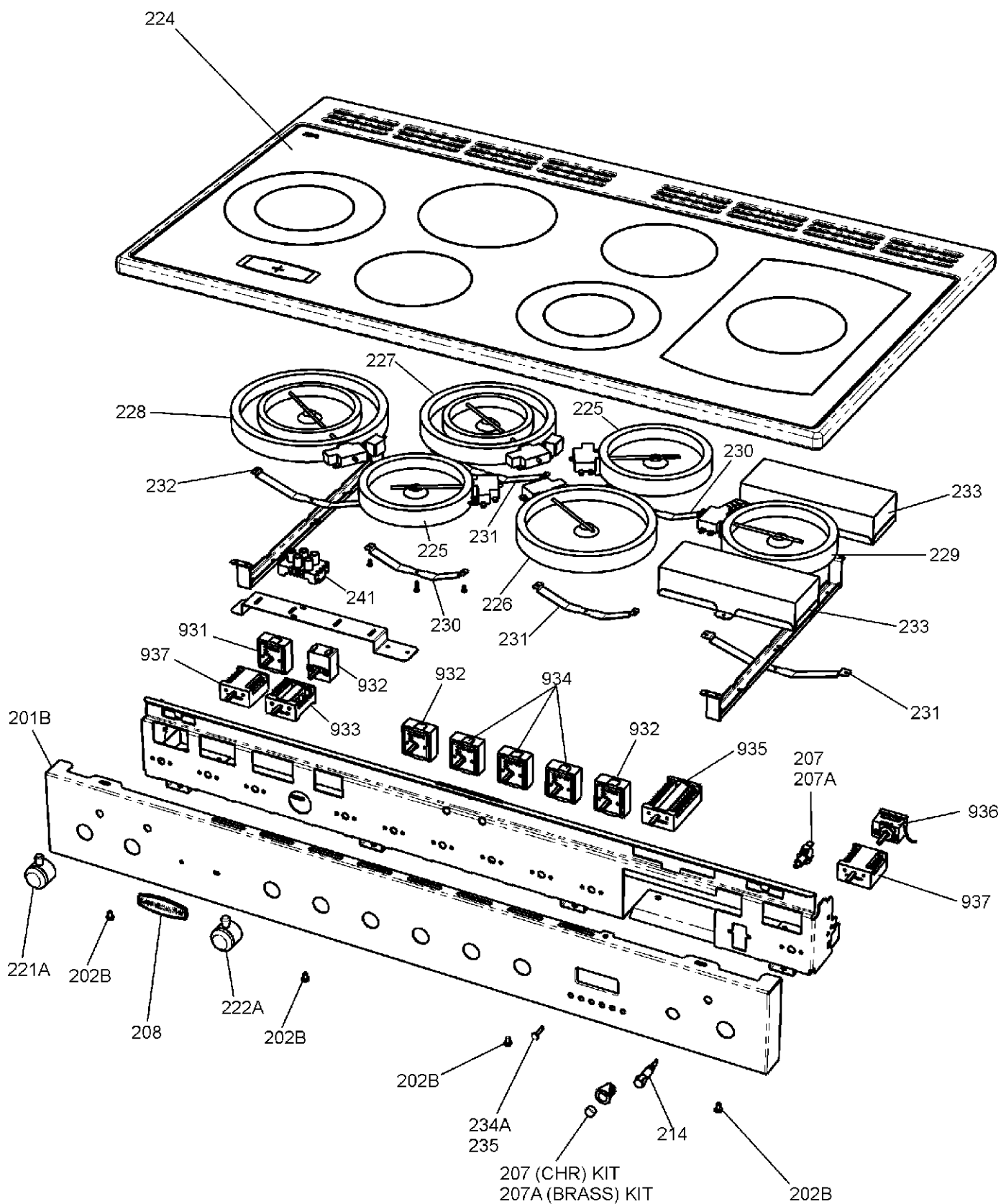


UPTO SER No2509 - 7886 - UPTO SER No1002 - 7887
 UPTO SER No2515 - 7888 - UPTO SER No1012 - 7889
 UPTO SER No1001 - 7890 - UPTO SER No2513 - 7891
 UPTO SER No1006 - 7892 - 7893 FROM START
 ALL MODELS UP TO 149 999

ALL MODELS FROM SERIAL
No 150 000 ONWARDS

DSL0291 P01B

DATE 19.05.11 ISSUE STATUS 01

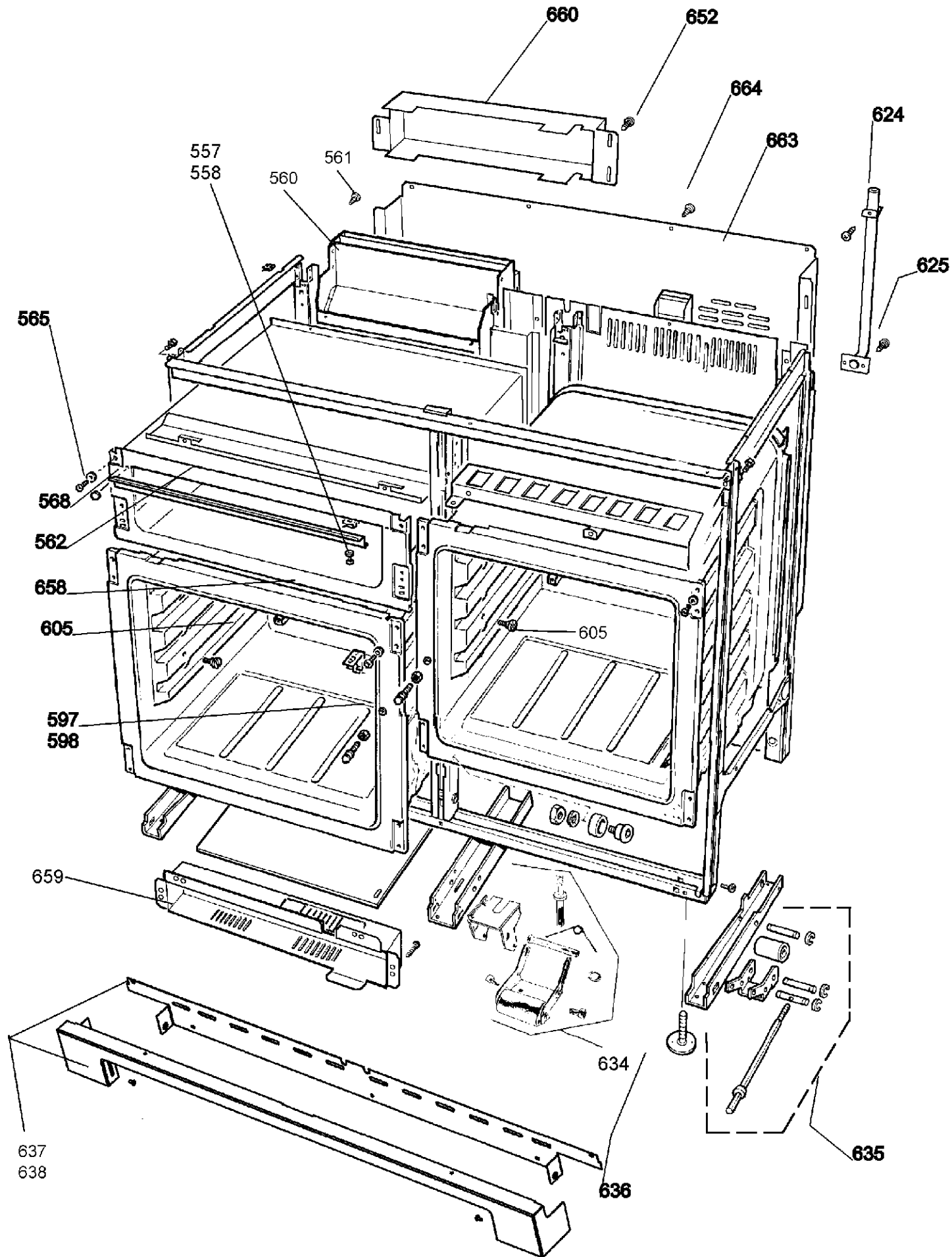


ALL MODELS
KITCHENER 110 CERAMIC

DSL0291 P02

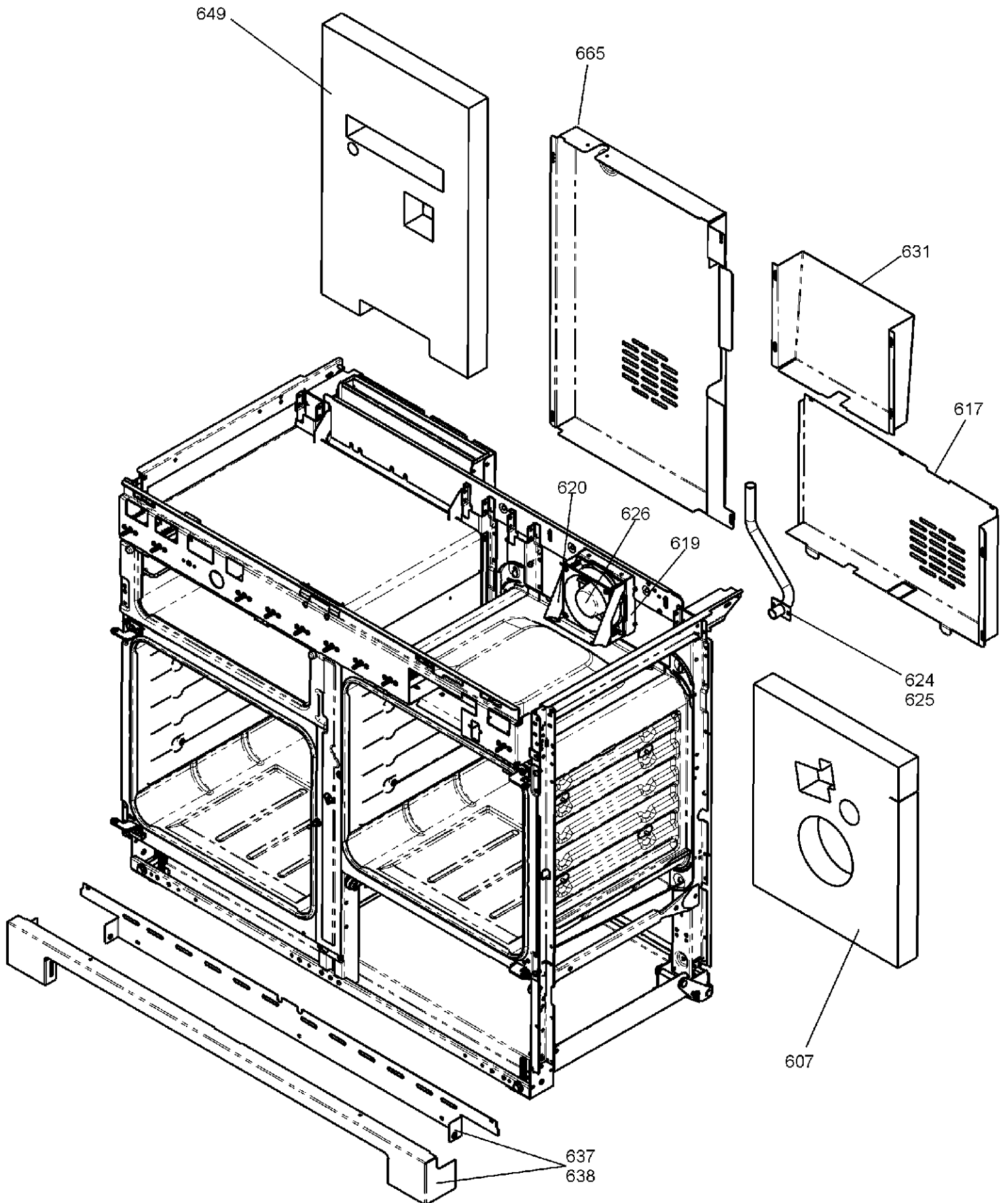
DATE 19.05.11 ISSUE STATUS 03

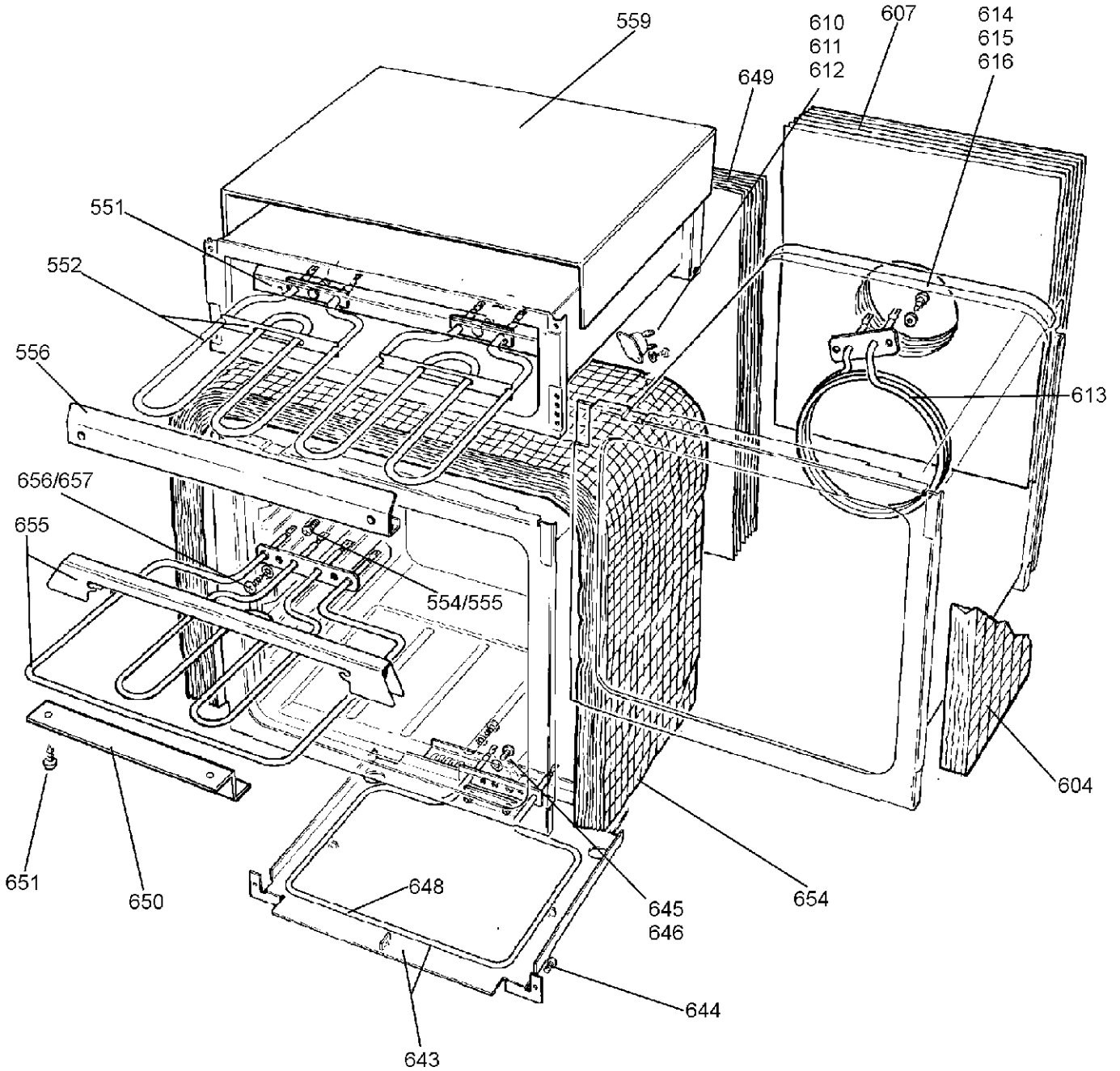
UPTO SER No2509 - 7886 - UPTO SER No1002 - 7887
UPTO SER No2515 - 7888 - UPTO SER No1012 - 7889
UPTO SER No1001 - 7890 - UPTO SER No2513 - 7891
UPTO SER No1006 - 7892 - 7893 FROM START
ALL MODELS UP TO SERIAL No 149 999.



ALL MODELS KITCHENER 110 CERAMIC
FROM SERIAL No. 150 000 ONWARDS.

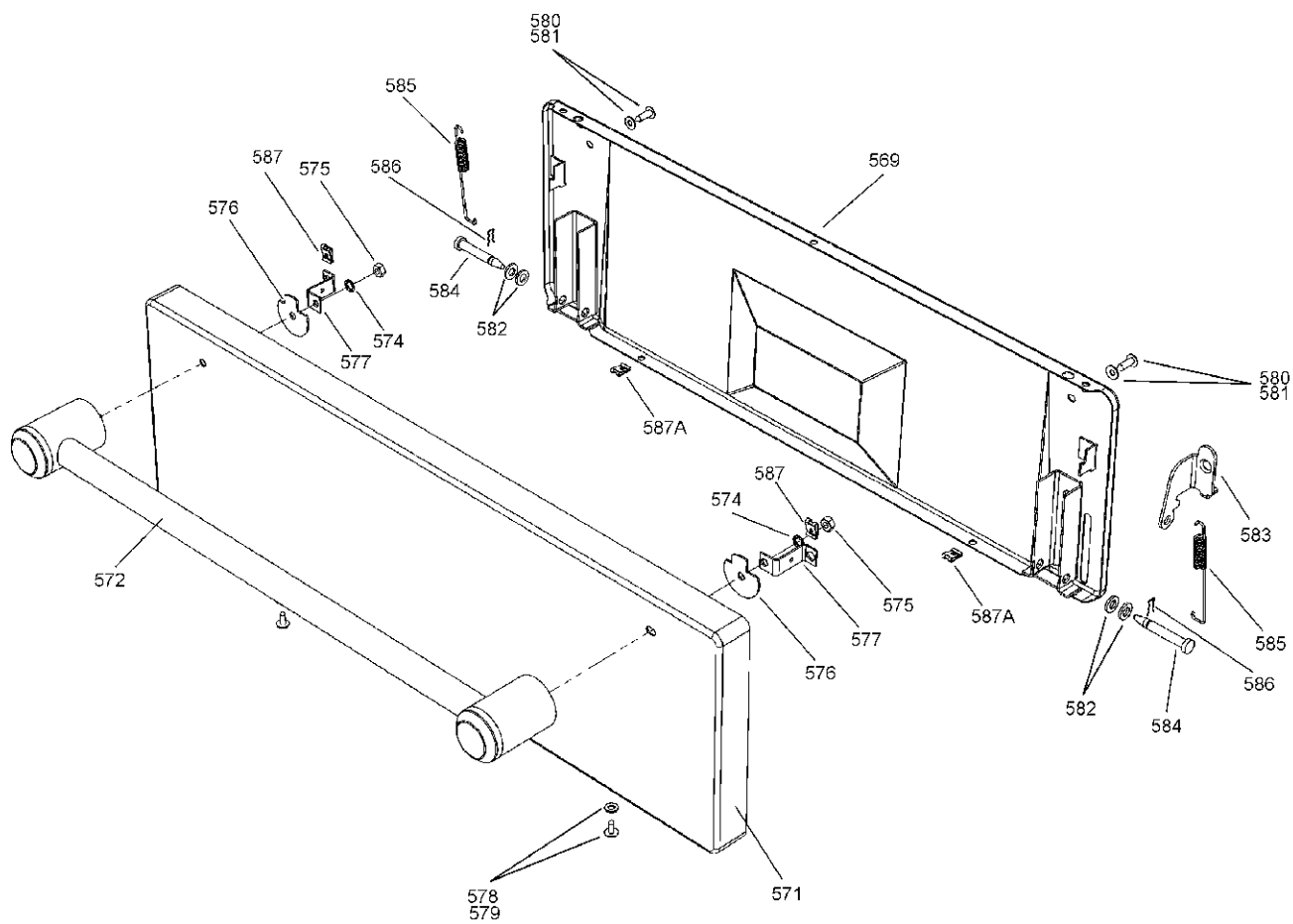
DSL0291 P02B
DATE 19.05.11 ISSUE STATUS 01





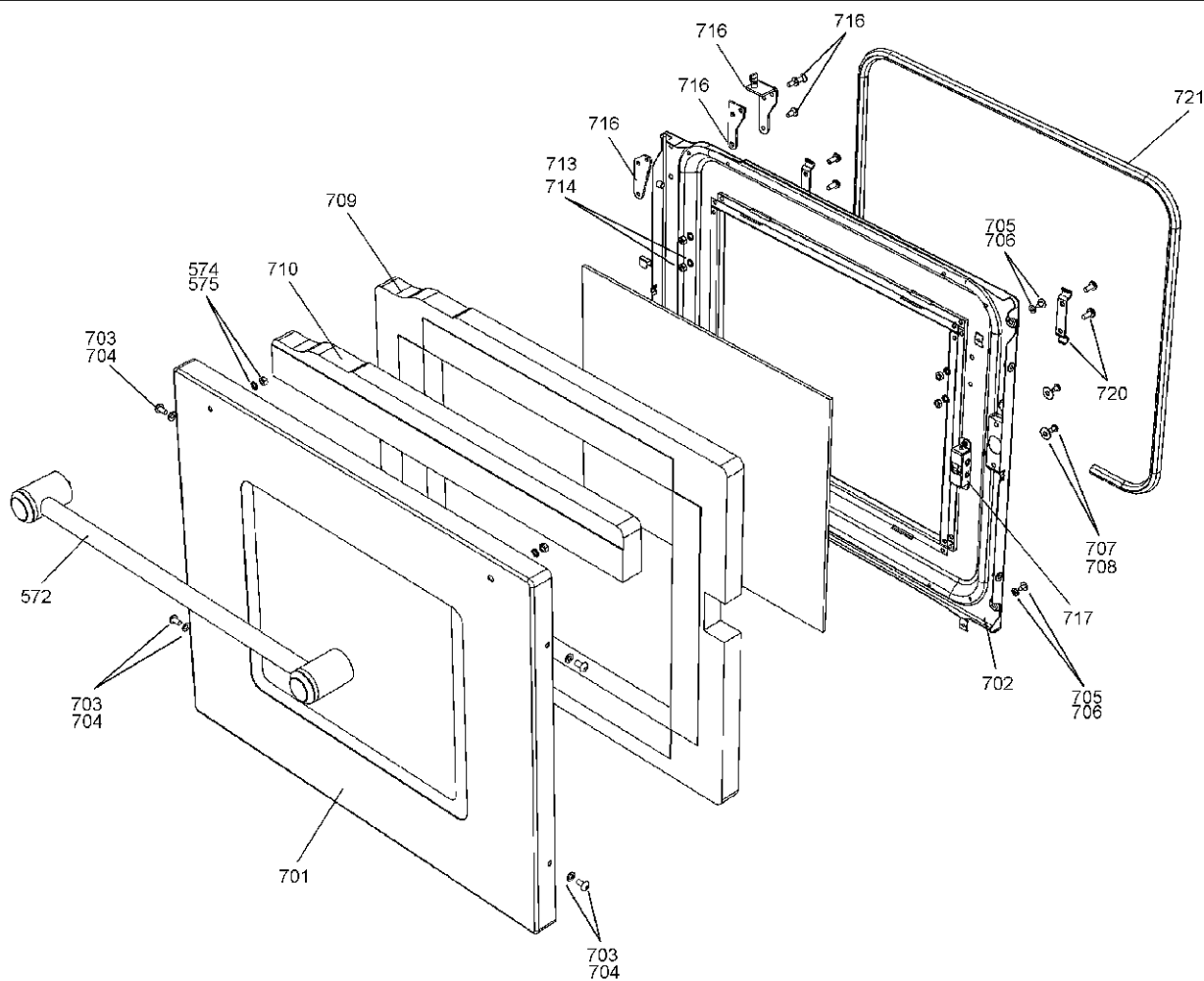
ALL MODELS

DSL0291 P05
DATE 07.02.06 ISSUE STATUS 01



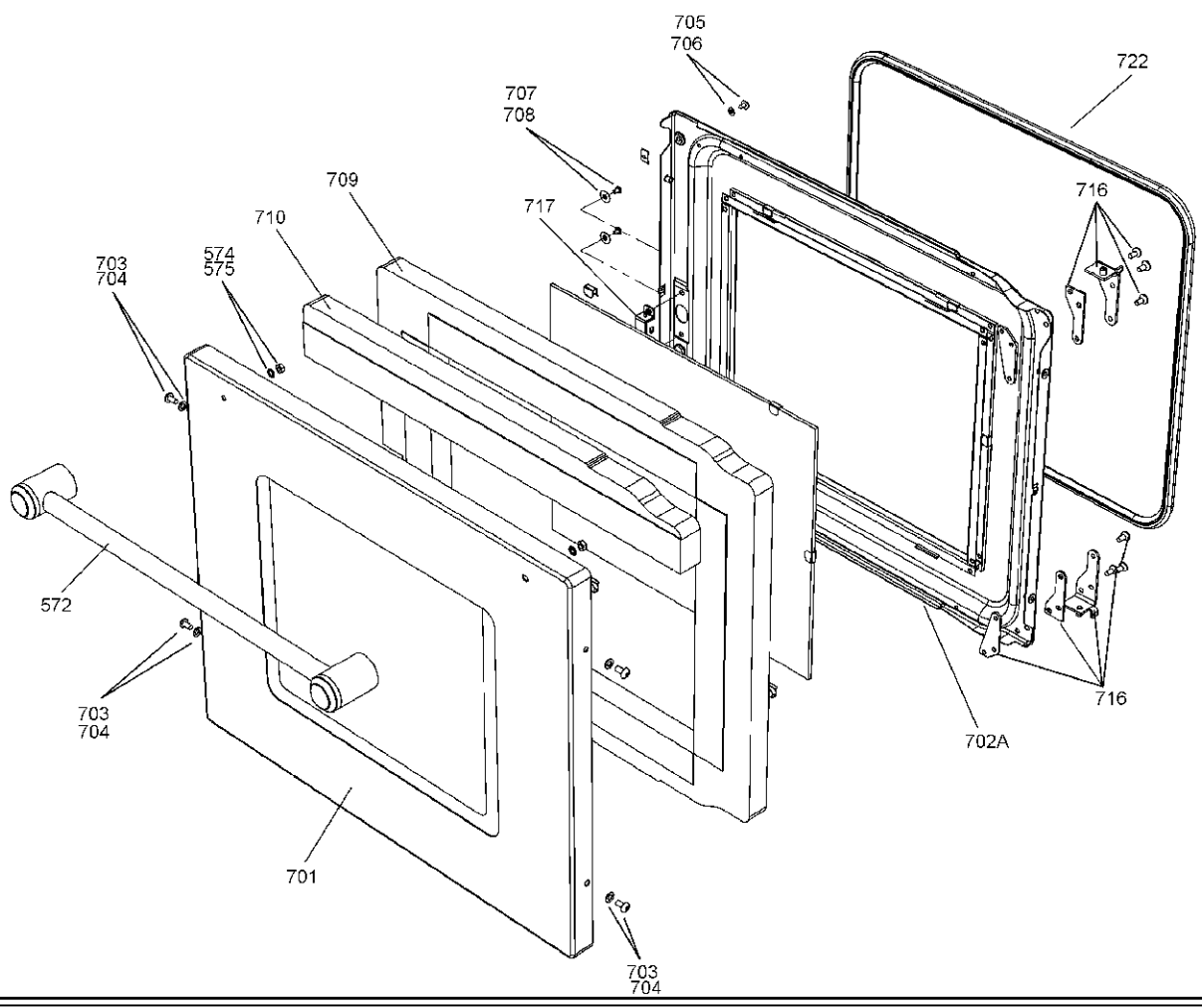
**ALL MODELS
KITCHENER 110 CERAMIC**

DSL0291 P06
DATE 07.02.06 ISSUE STATUS 01



**ALL MODELS
KITCHENER 110 CERAMIC**

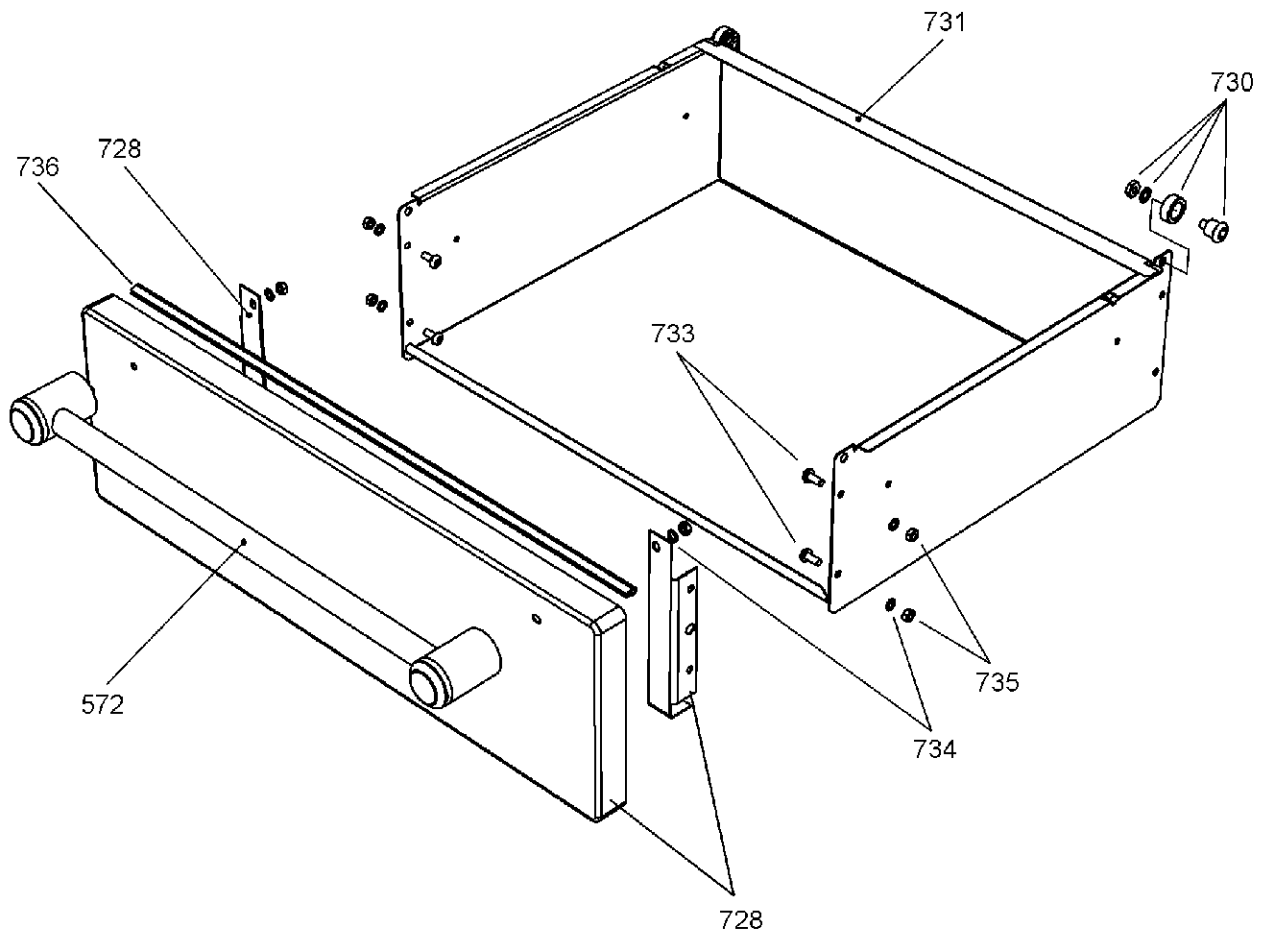
DSL0291 P7
DATE 07.06.05 ISSUE STATUS 001

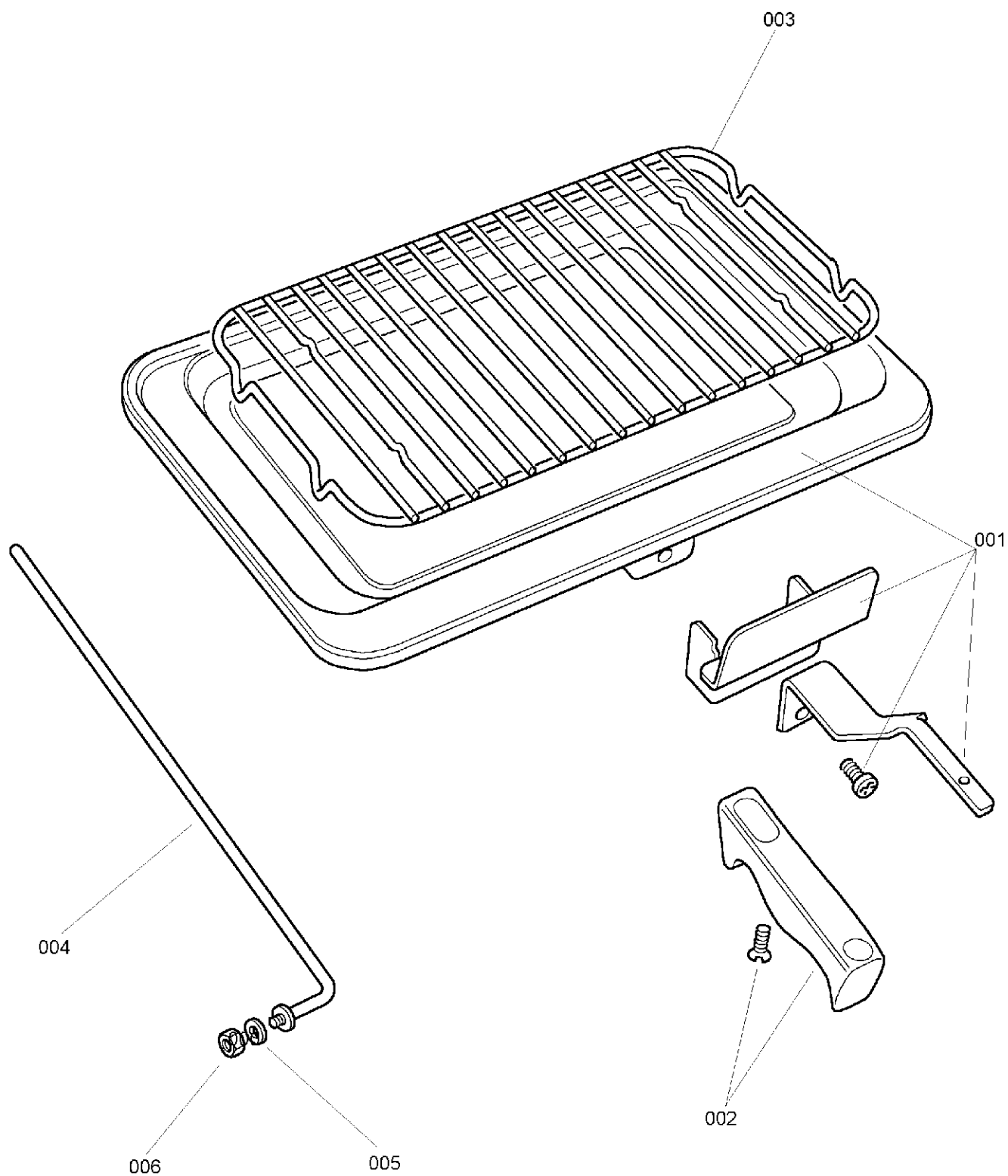


**ALL MODELS
KITCHENER 110 CERAMIC**

DSL0281 P08

DATE 07.02.06 ISSUE STATUS 01



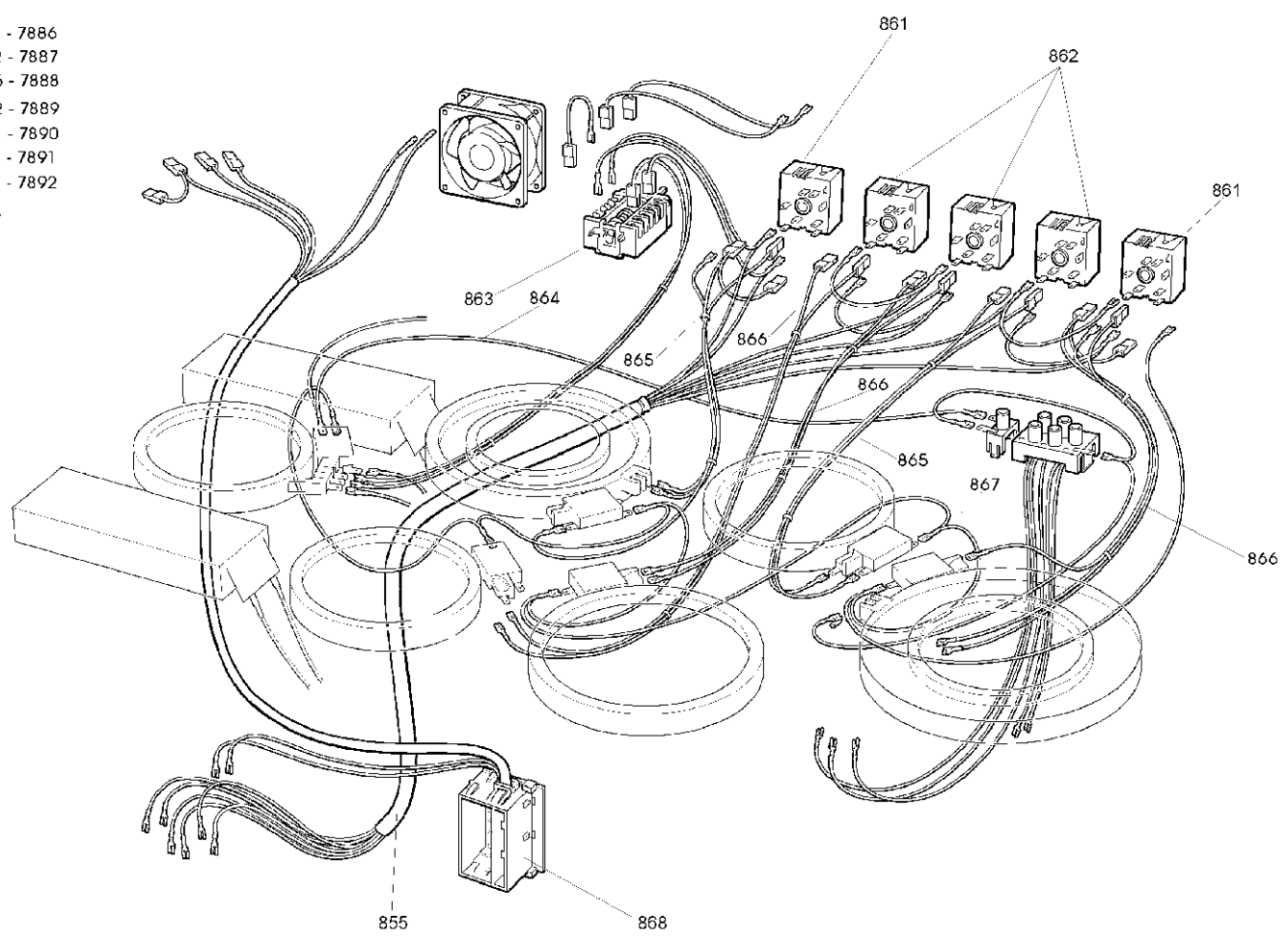


ALL MODELS
KITCHENER 110 CERAMIC

DATE 01.03.07

DSL0291 P10
ISSUE STATUS 02

- UPTO SER No2509 - 7886
 - UPTO SER No1002 - 7887
 - UPTO SER No2515 - 7888
 - UPTO SER No1012 - 7889
 - UPTO SER No1001 - 7890
 - UPTO SER No2513 - 7891
 - UPTO SER No1006 - 7892
- 7893 FROM START



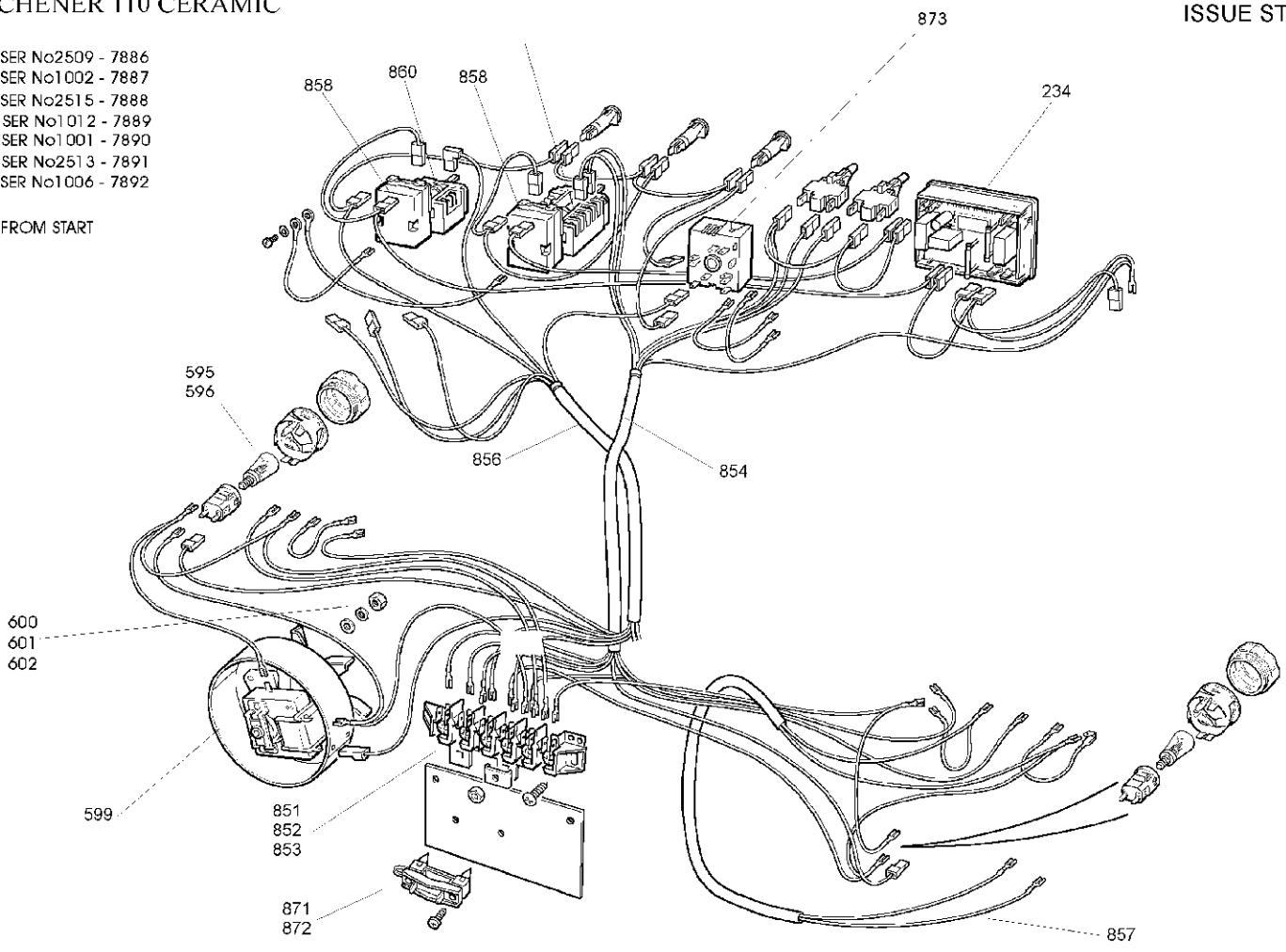
ALL MODELS
KITCHENER 110 CERAMIC

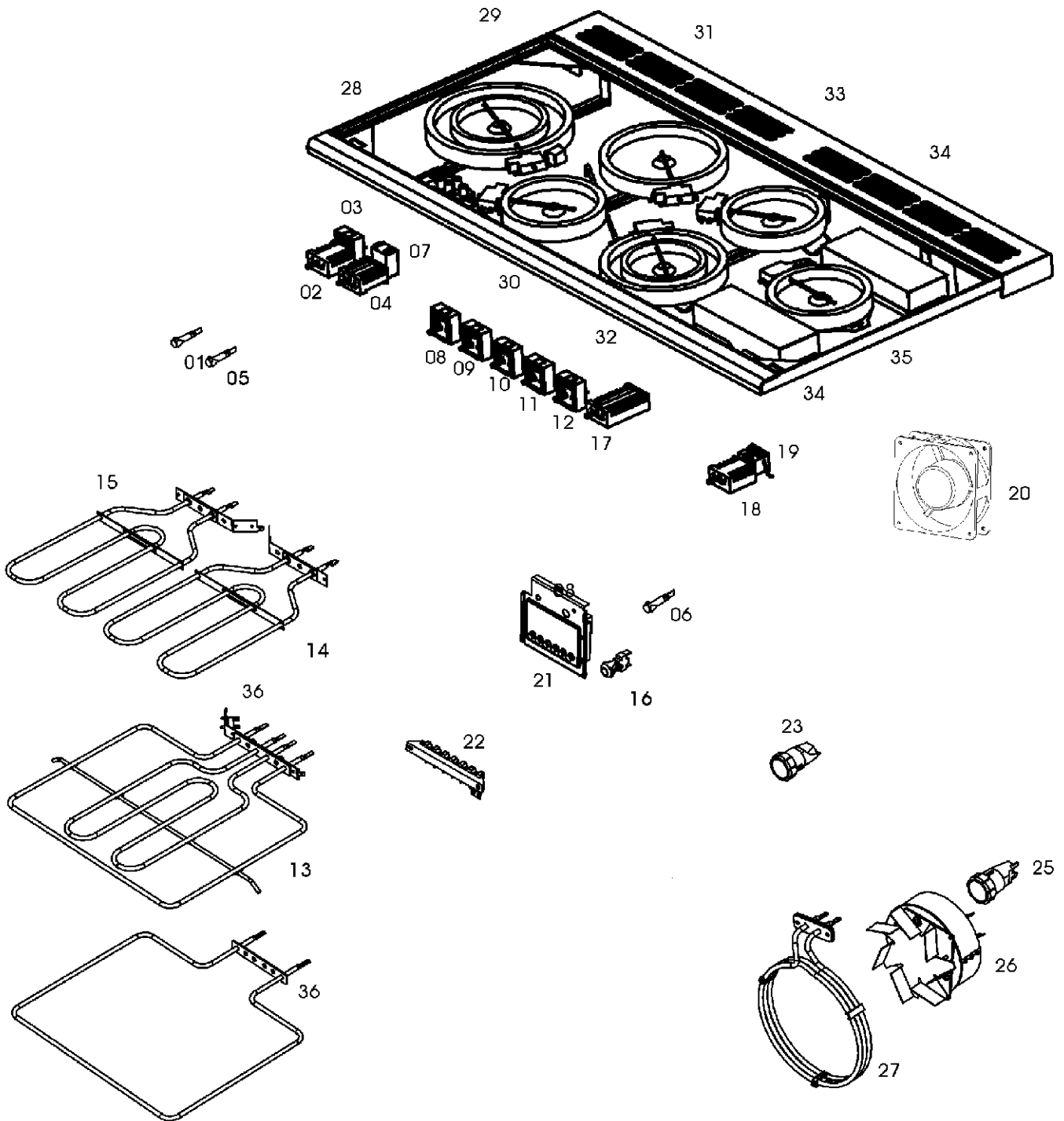
DATE 01.03.07

DSL0291 P11
ISSUE STATUS 02

- UPTO SER No2509 - 7886
- UPTO SER No1002 - 7887
- UPTO SER No2515 - 7888
- UPTO SER No1012 - 7889
- UPTO SER No1001 - 7890
- UPTO SER No2513 - 7891
- UPTO SER No1006 - 7892

7893 FROM START





FROM SER No2510 - 7886 - FROM SER No1003 - 7887 - FROM SER No2516 - 7888

FROM SER No1013 - 7889 - FROM SER No1002 - 7890 - FROM SER No2514 - 7891

FROM SER No1007 - 7892

ALL MODELS UP TO 149 999