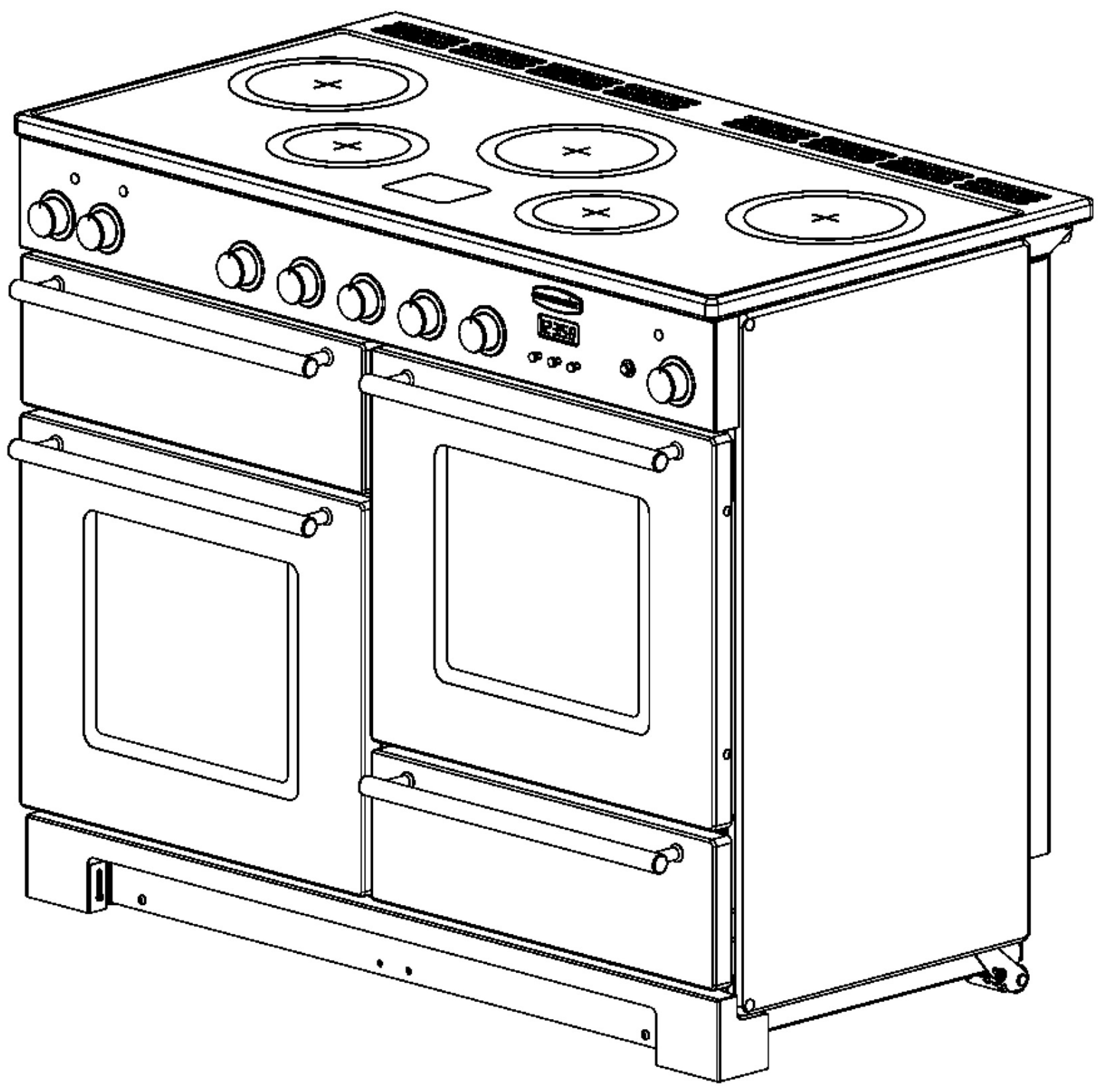


**FALCON / RANGEMASTER
INFUSION 110 INDUCTION
FROM SERIAL
NUMBER: 203000**

DATE: 08.08.18

DSL0719 P00
ISSUE: 01



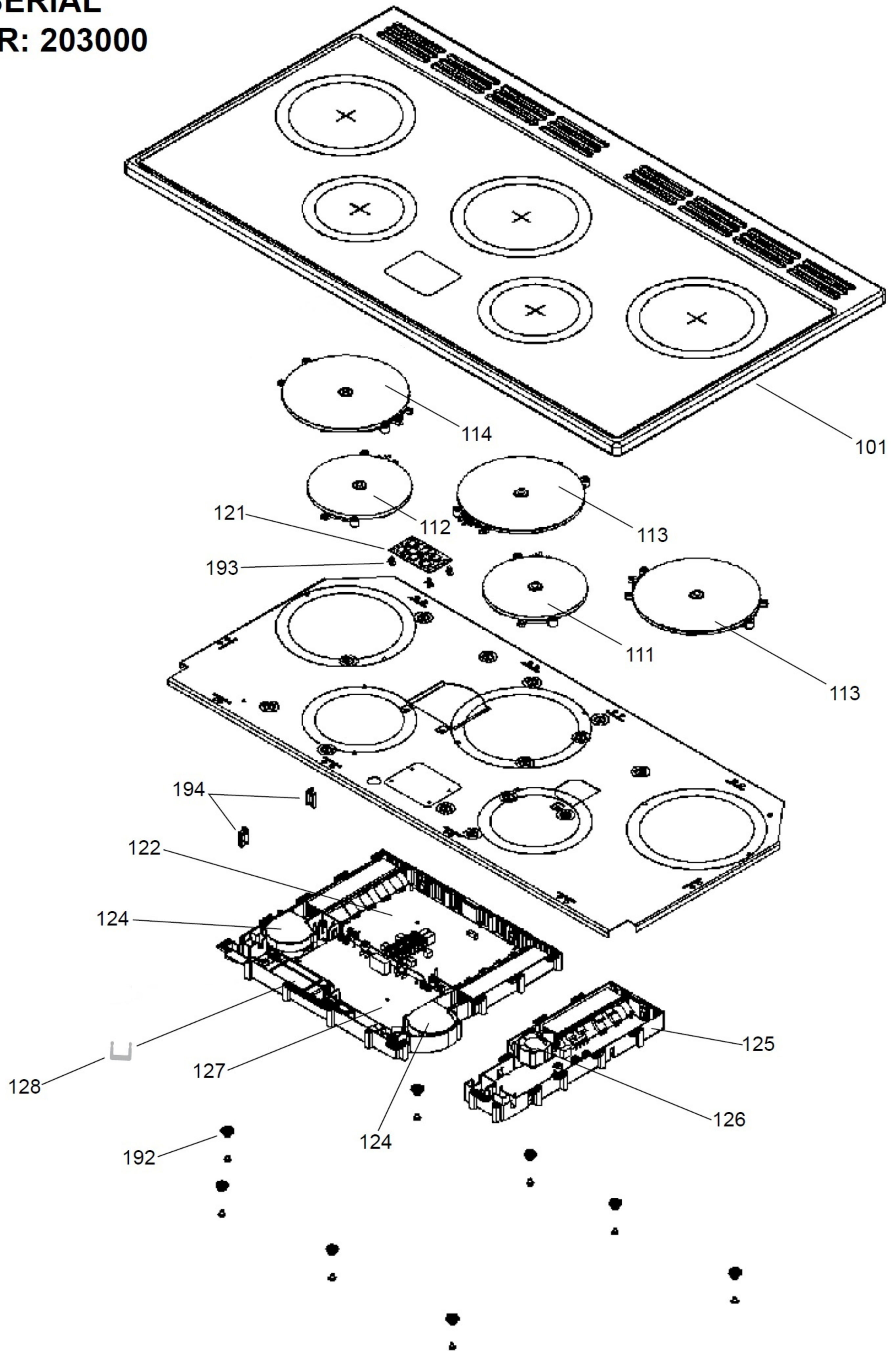
OVERALL APPLIANCE

**FALCON / RANGEMASTER
INFUSION 110 INDUCTION
FROM SERIAL
NUMBER: 203000**

DATE: 08.08.18

DSL0719 P01

ISSUE:01



**HOB AND
INDUCTION ASSEMBLY**

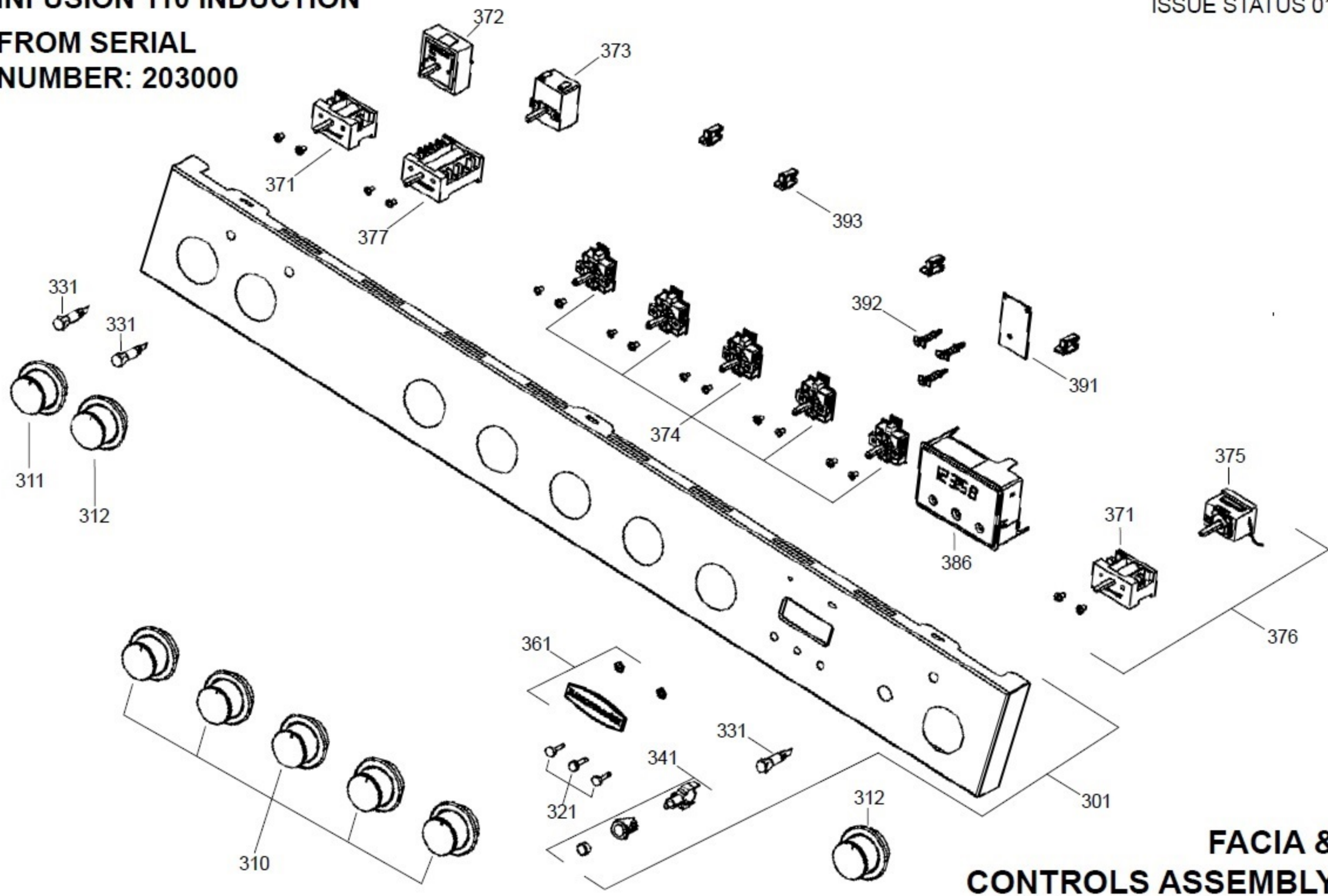
**FALCON / RANGEMASTER
INFUSION 110 INDUCTION**

DATE: 08.08.18

DSL0719 P03

ISSUE STATUS 01

**FROM SERIAL
NUMBER: 203000**

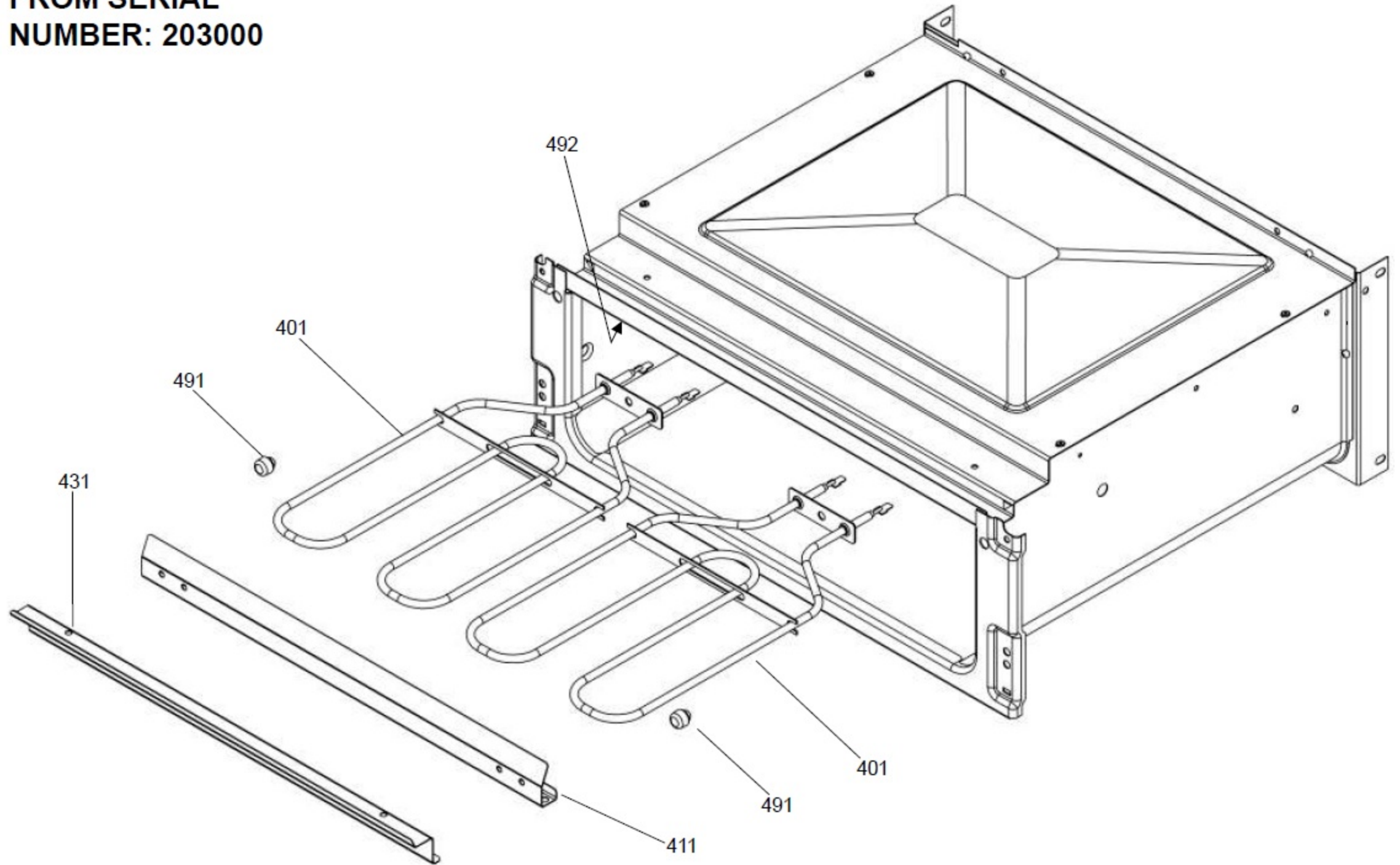


**FACIA &
CONTROLS ASSEMBLY**

**FALCON / RANGEMASTER
INFUSION 110 INDUCTION
FROM SERIAL
NUMBER: 203000**

DATE: 08.08.18

DSL0719 P04
ISSUE STATUS 01



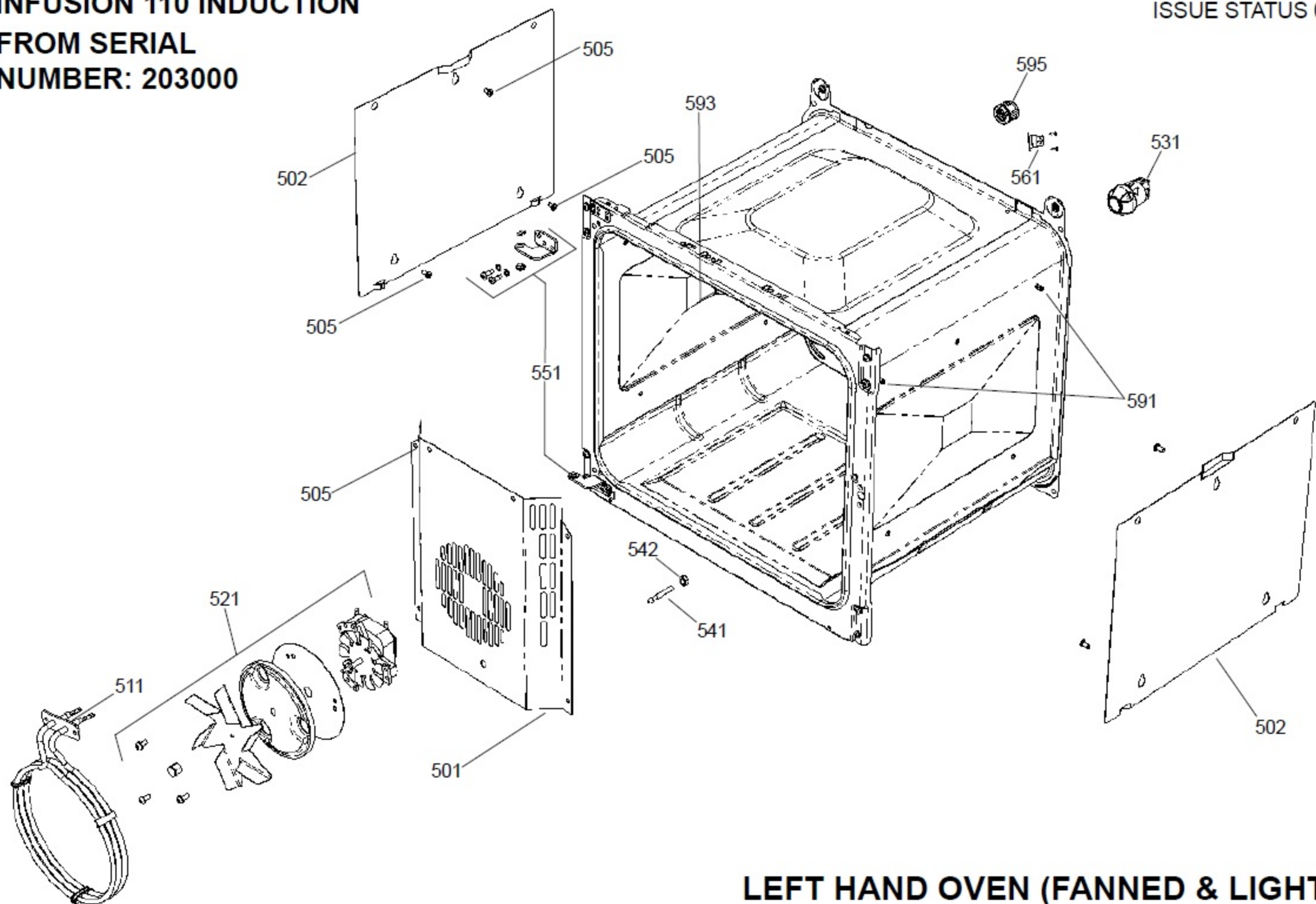
GRILL CHAMBER ASSEMBLY

**FALCON / RANGEMASTER
INFUSION 110 INDUCTION**

**FROM SERIAL
NUMBER: 203000**

DATE: 08.08.18

DSL0719 P05
ISSUE STATUS 01



LEFT HAND OVEN (FANNED & LIGHT)

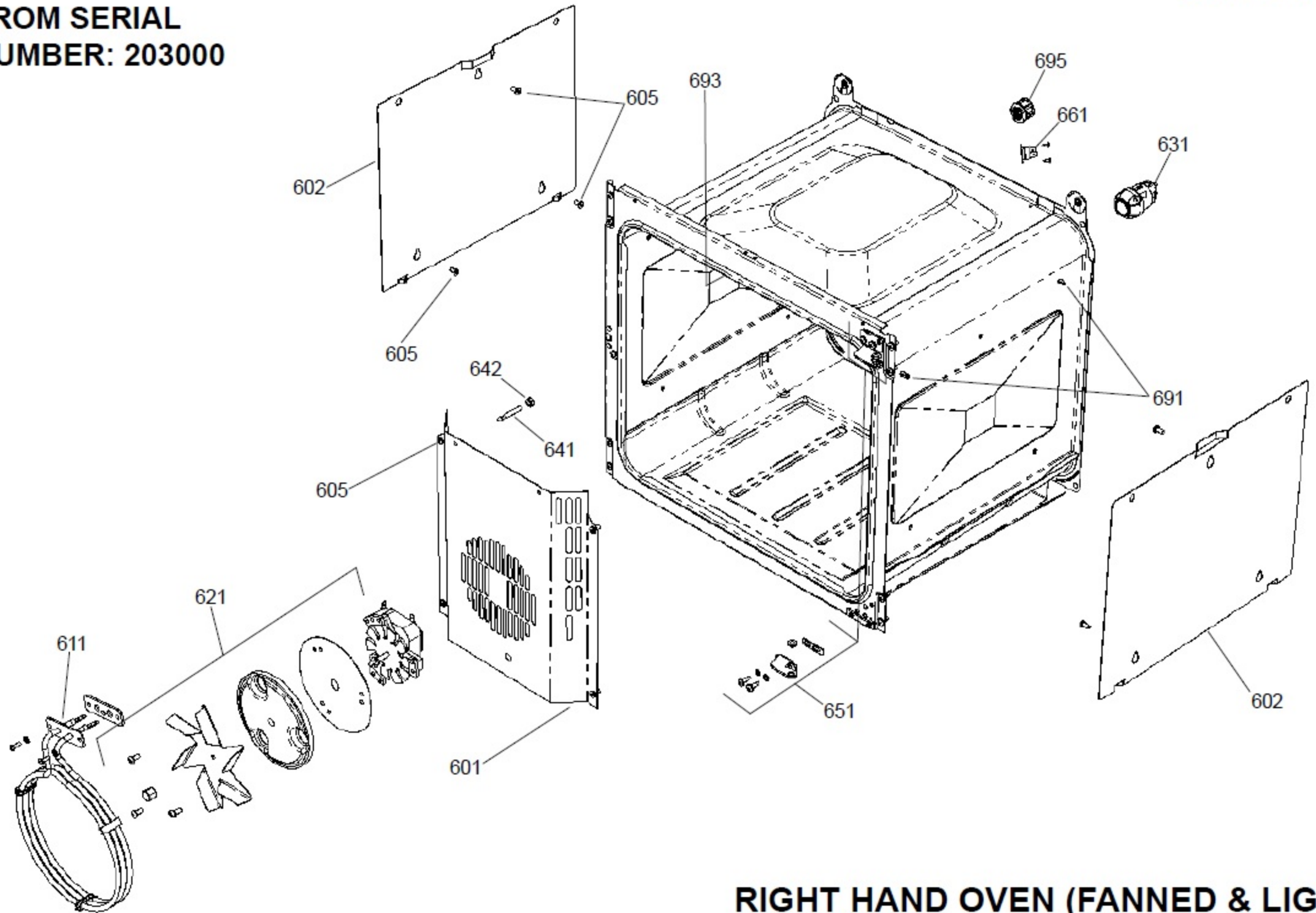
**FALCON / RANGEMASTER
INFUSION 110 INDUCTION**

**FROM SERIAL
NUMBER: 203000**

DATE: 08.08.18

DSL0719 P06

ISSUE STATUS 01



RIGHT HAND OVEN (FANNED & LIGHT)

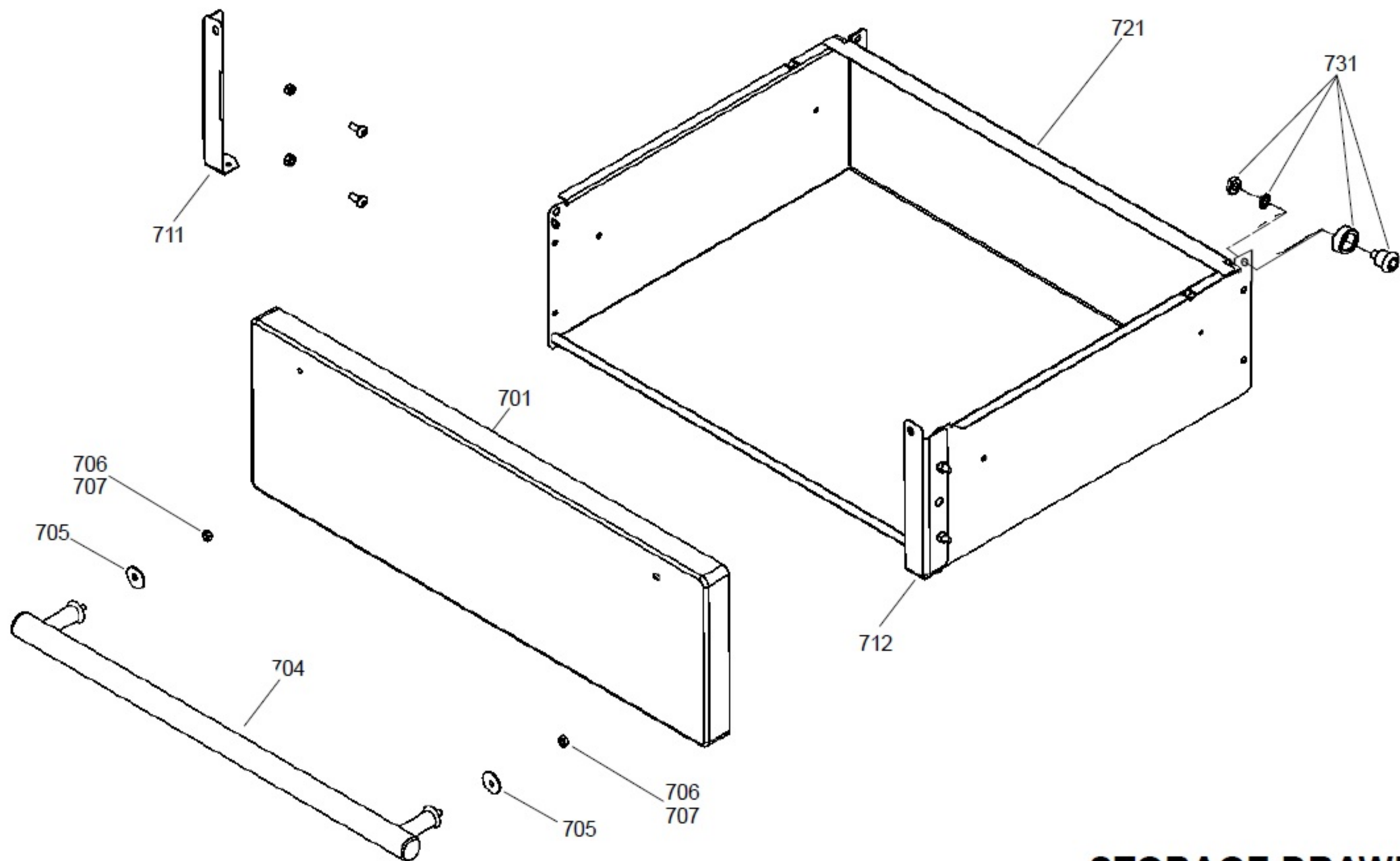
**FALCON / RANGEMASTER
INFUSION 110 INDUCTION**

DATE: 08.08.18

DSL0719 P07

ISSUE STATUS 01

**FROM SERIAL
NUMBER: 203000**



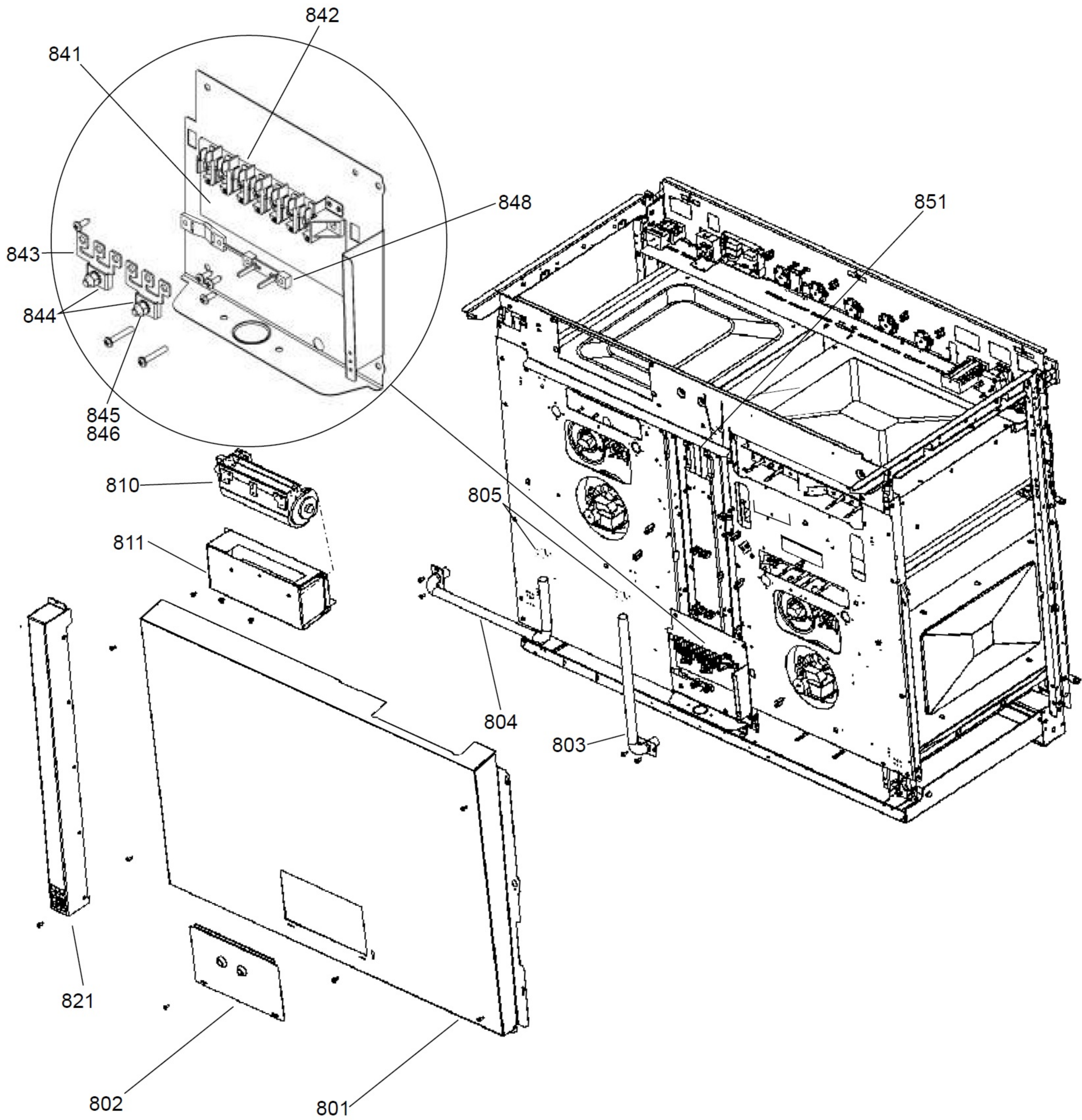
STORAGE DRAWER

**FALCON / RANGEMASTER
INFUSION 110 INDUCTION
FROM SERIAL
NUMBER: 203000**

DATE: 08.08.18

DSL0719 P08

ISSUE:01



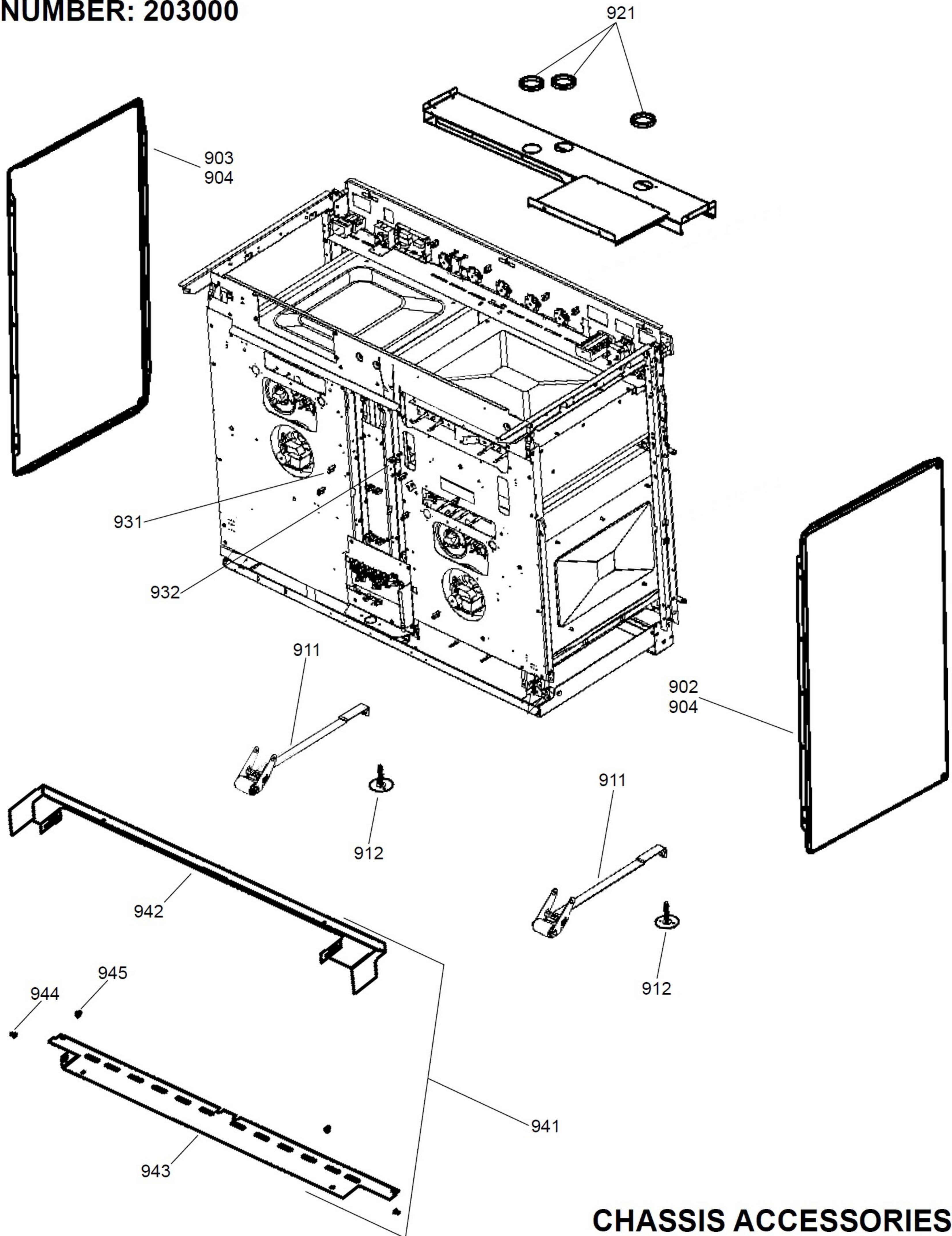
COOKER BACK & ELECTRICAL

**FALCON / RANGEMASTER
INFUSION 110 INDUCTION
FROM SERIAL
NUMBER: 203000**

DATE: 08.08.18

DSL0719 P09

ISSUE: 01



CHASSIS ACCESSORIES

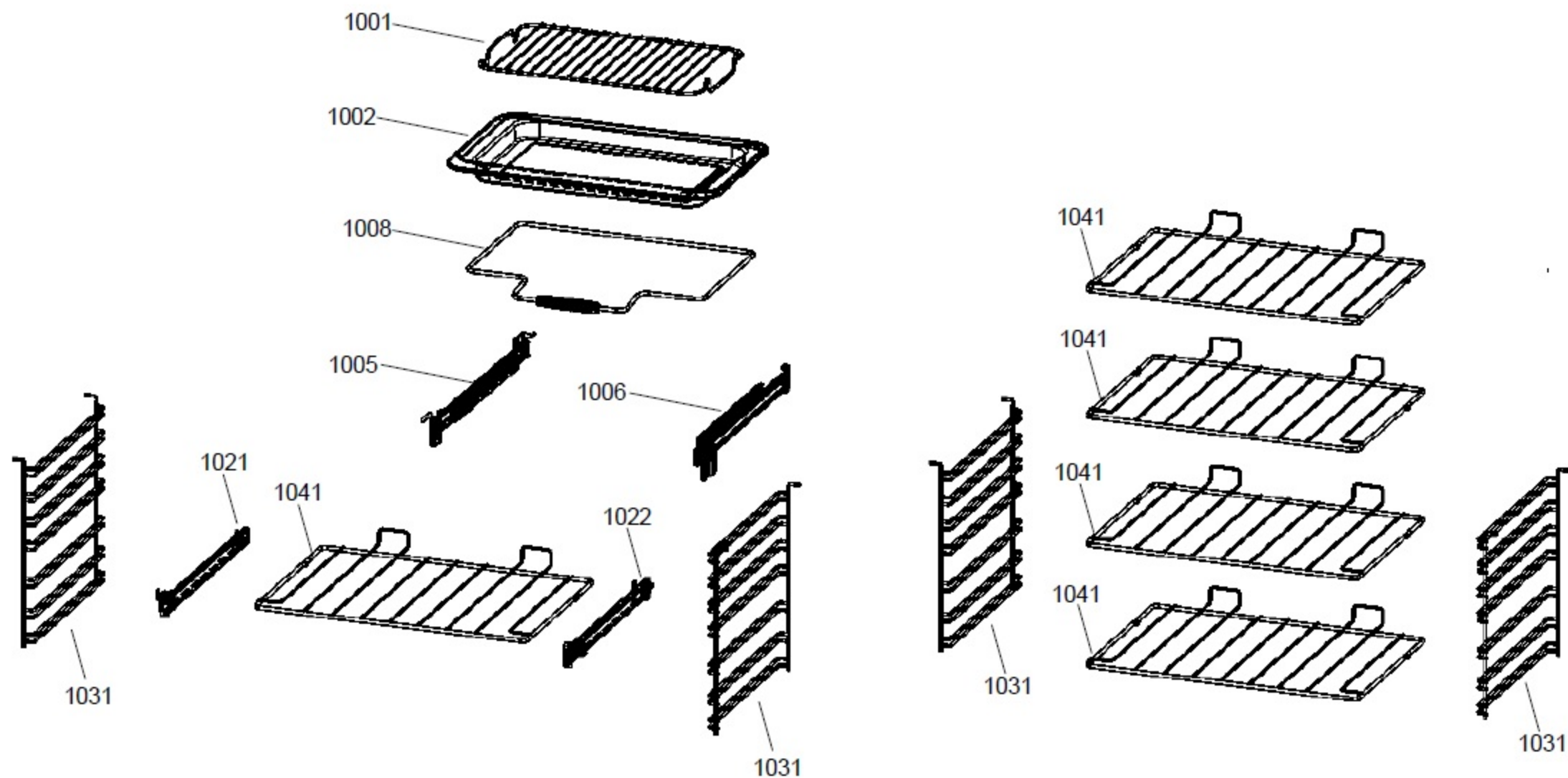
**FALCON / RANGEMASTER
INFUSION 110 INDUCTION**

DATE: 08.08.18

DSL0719 P10

ISSUE STATUS 01

**FROM SERIAL
NUMBER: 203000**



OVEN & GRILL ACCESSORIES

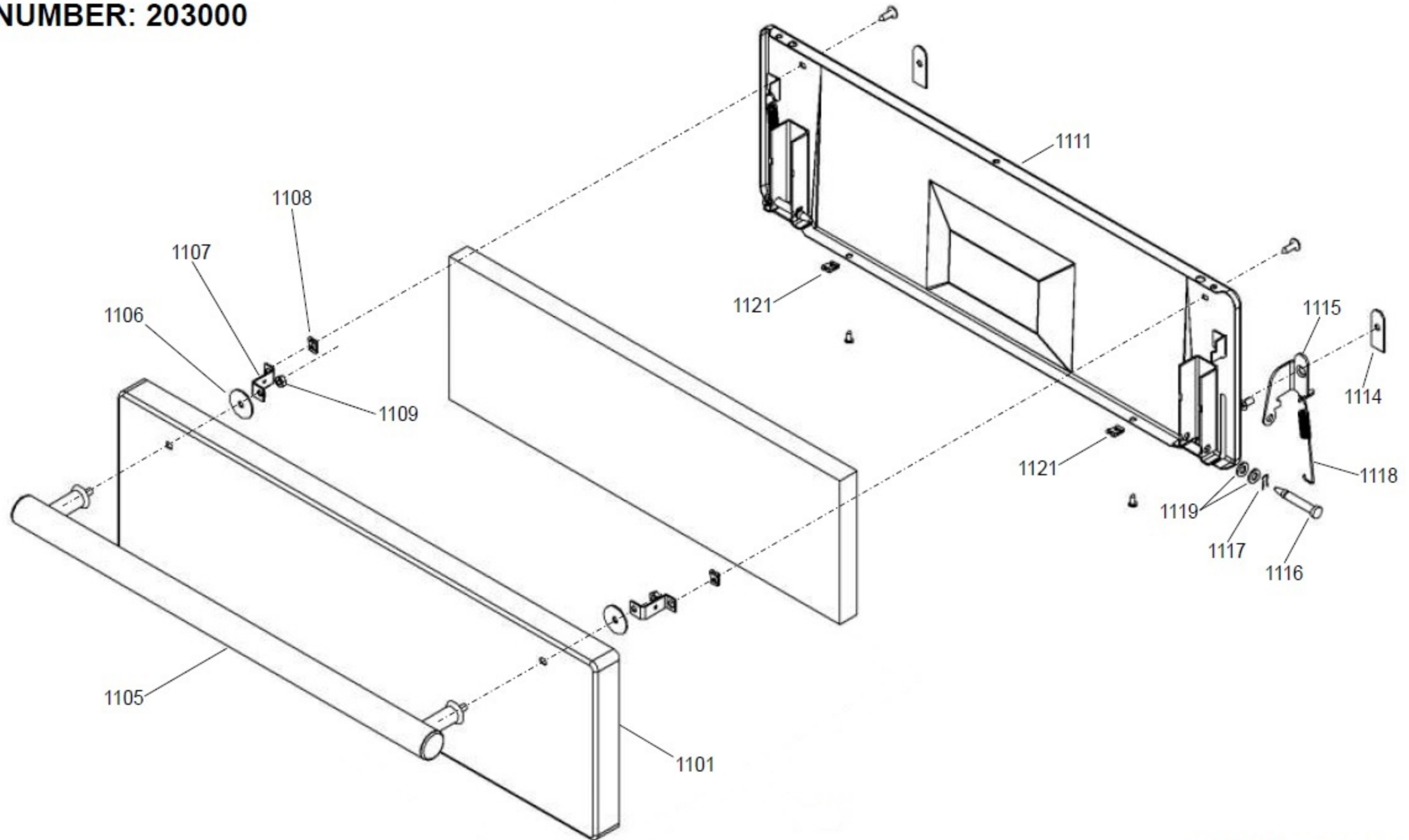
**FALCON / RANGEMASTER
INFUSION 110 INDUCTION**

DATE: 08.08.18

DSL0719 P11

ISSUE STATUS 01

**FROM SERIAL
NUMBER: 203000**



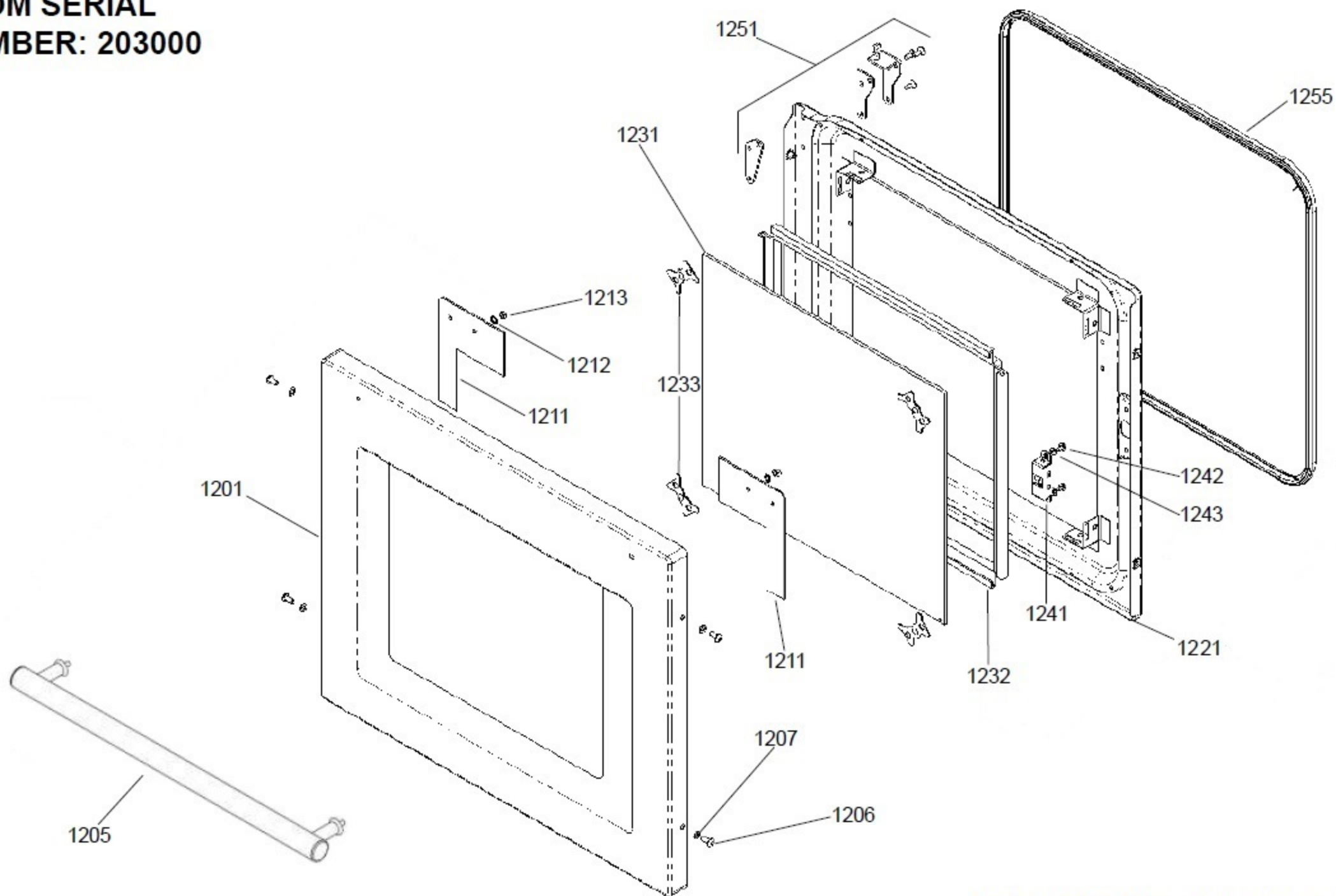
GRILL DOOR

**FALCON / RANGEMASTER
INFUSION 110 INDUCTION**

**FROM SERIAL
NUMBER: 203000**

DATE: 08.08.18

DSL0719 P12
ISSUE STATUS 01



LEFT HAND OVEN DOOR

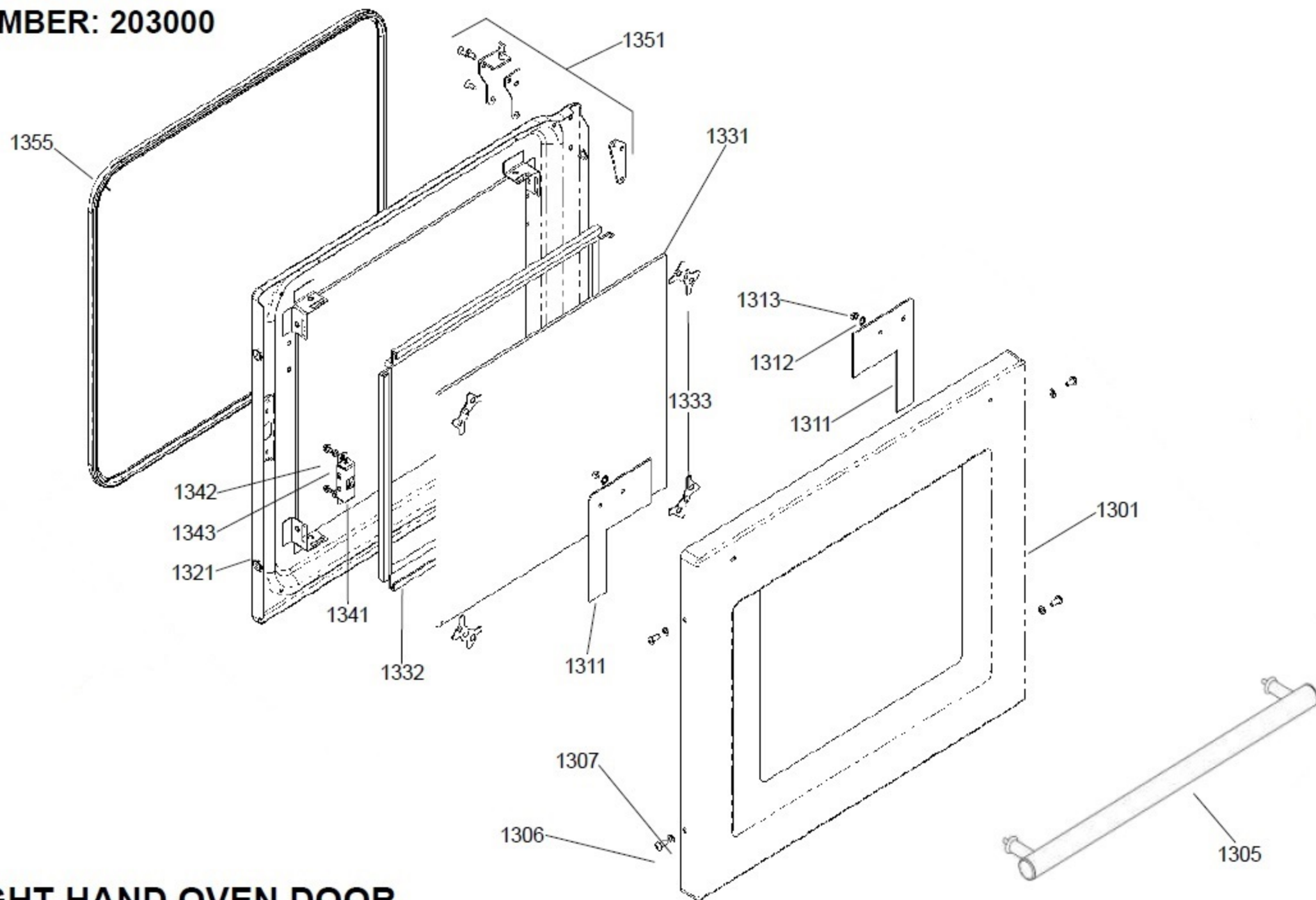
**FALCON / RANGEMASTER
INFUSION 110 INDUCTION**

DATE: 08.08.18

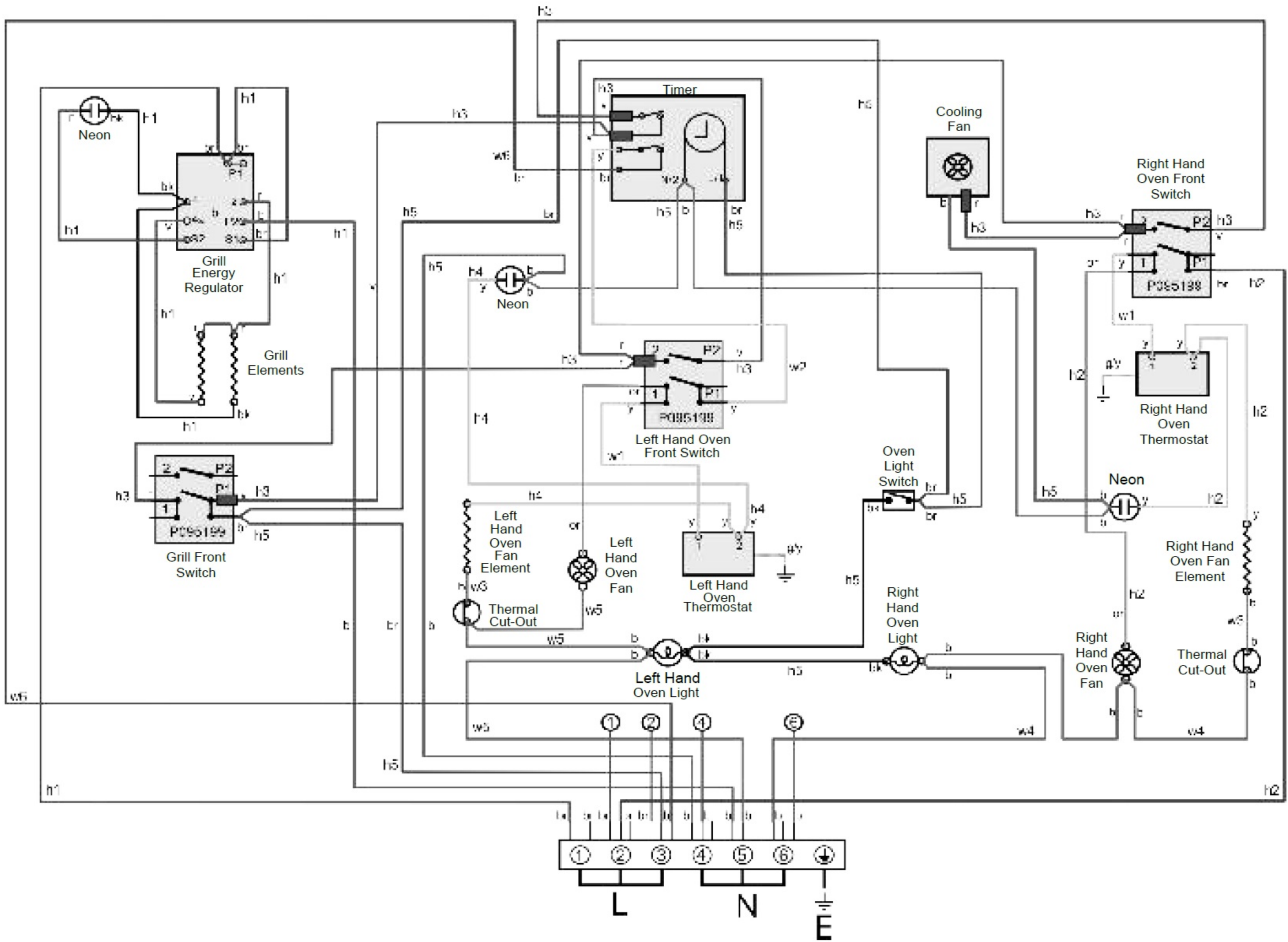
DSL0719 P13

ISSUE STATUS 01

**FROM SERIAL
NUMBER: 203000**



RIGHT HAND OVEN DOOR



Colour Code	Colour	Colour Code	Colour	Colour Code	Colour
b	Blue	or	Orange	w	White
br	Brown	r	Red	y	Yellow
bk	Black	v	Violet	g/y	Green / Yellow

Ref. No.	Part No.	Colour	Description	Quantity	Remarks
w1	P037863	y	Wire assembly	2	Yellow link
w2	P048632	y	Wire assembly	1	Yellow link timer to LH oven switch
w3	P040066	bk	Wire assembly	2	Oven cut-out neutral link
w4	P025995	b	Wire assembly	1	Neutral link RH oven
w5	P043964	b	Wire assembly	1	Neutral link LH oven
w6	P064448	br	Wire assembly	1	Brown link TB to timer relay
h1	P064445	br, b, bk, r, v	Harness - Grill	1	
h2	P064454	br, o, y	Harness - RH Fanned Oven	1	
h3	P064447	v, r	Harness - Cooling	1	
h4	P064453	w, br, y	Harness - LH Fanned Oven	1	
h5	P065632	b, br, bk	Harness - Aux	1	
w6	P052073	g/y	Harness Earth IND Unit / Chasis NI	1	
w7	P055374	g/y	Wire Assembly Grill Earth Links NI	2	
w8	P094943	g/y	Wire Assembly Oven Stat Earths	2	
w9	P095450	g/y	Wire Assembly Oven Earth Links NI	2	