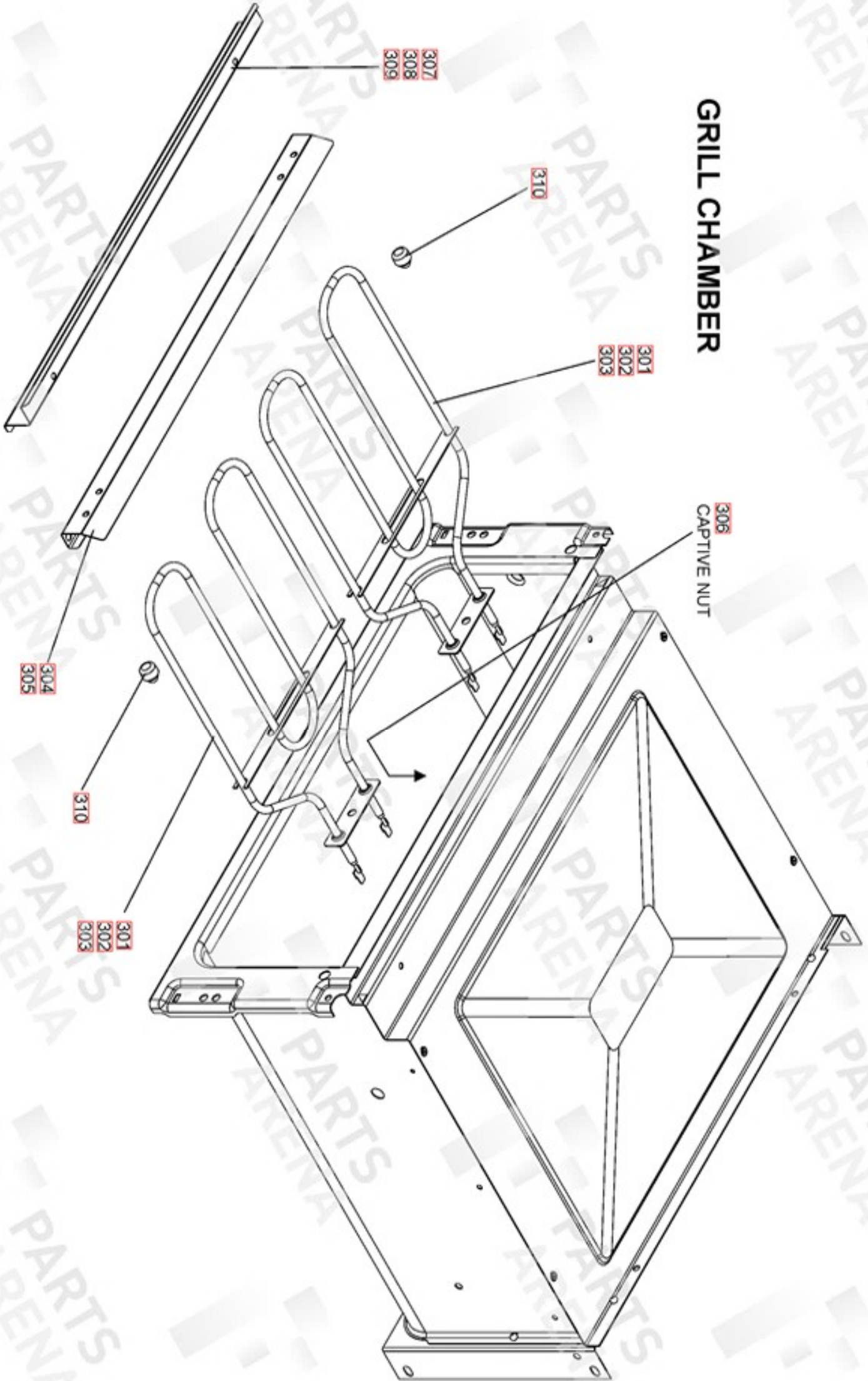
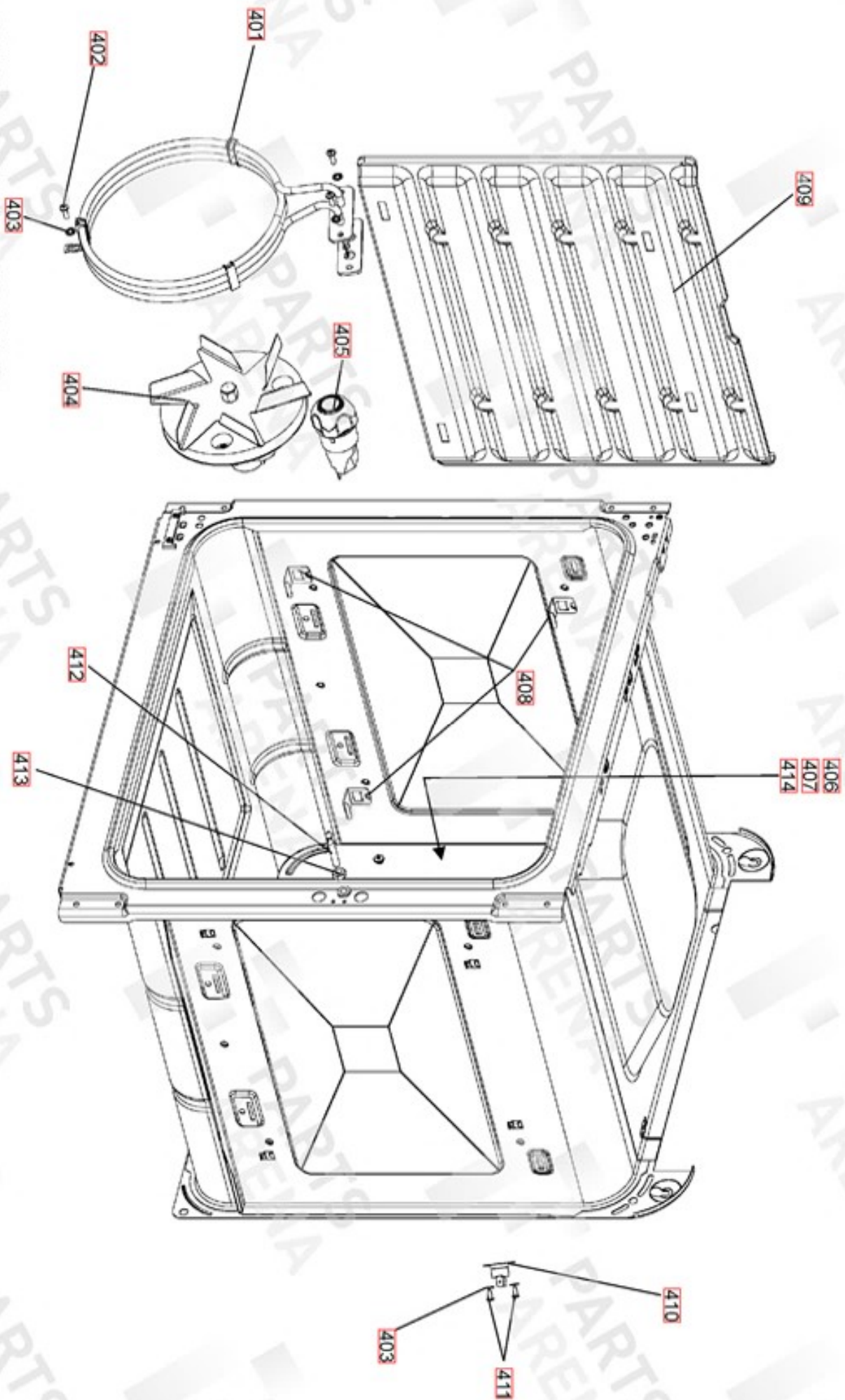


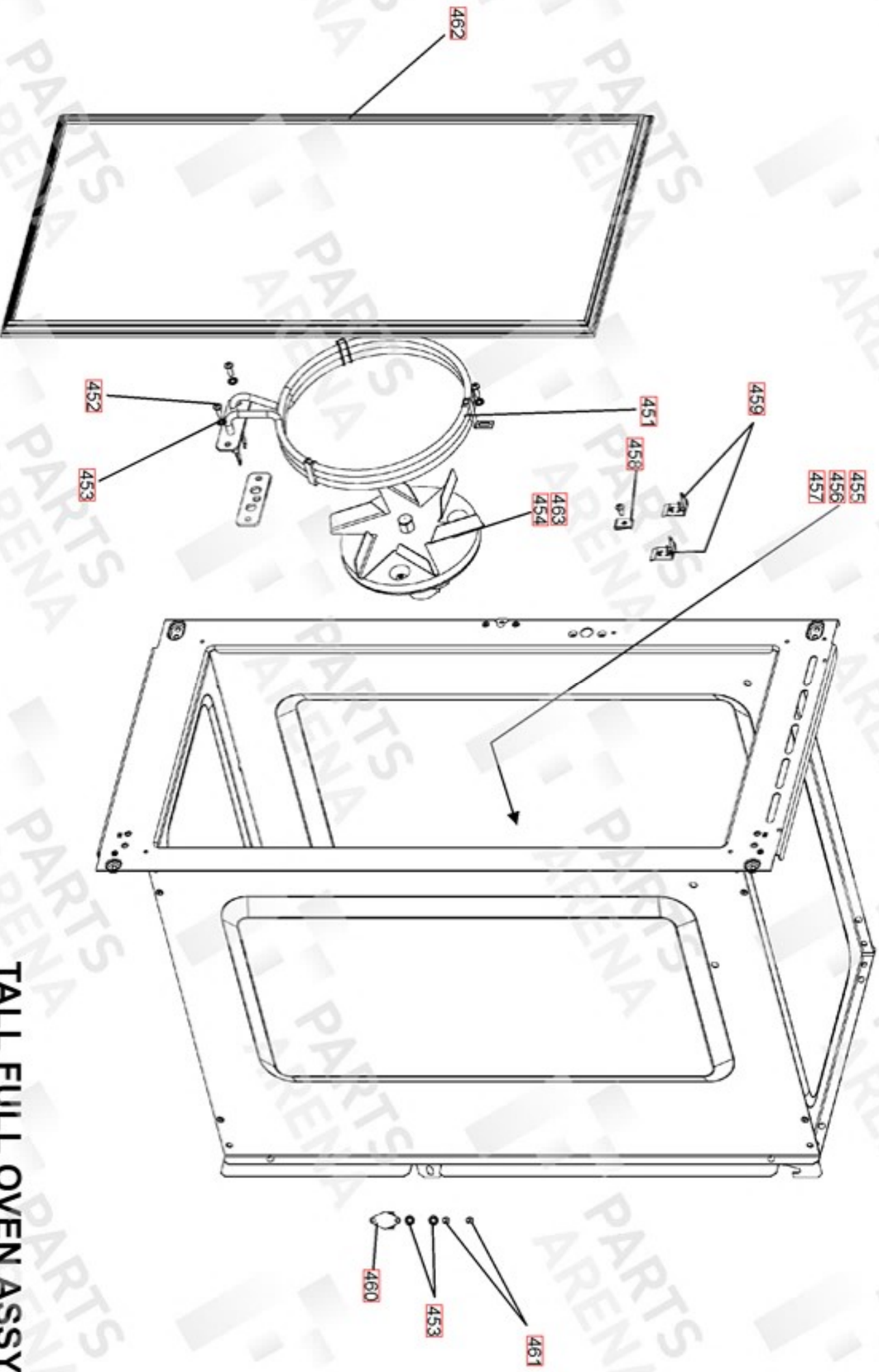
GRILL CHAMBER



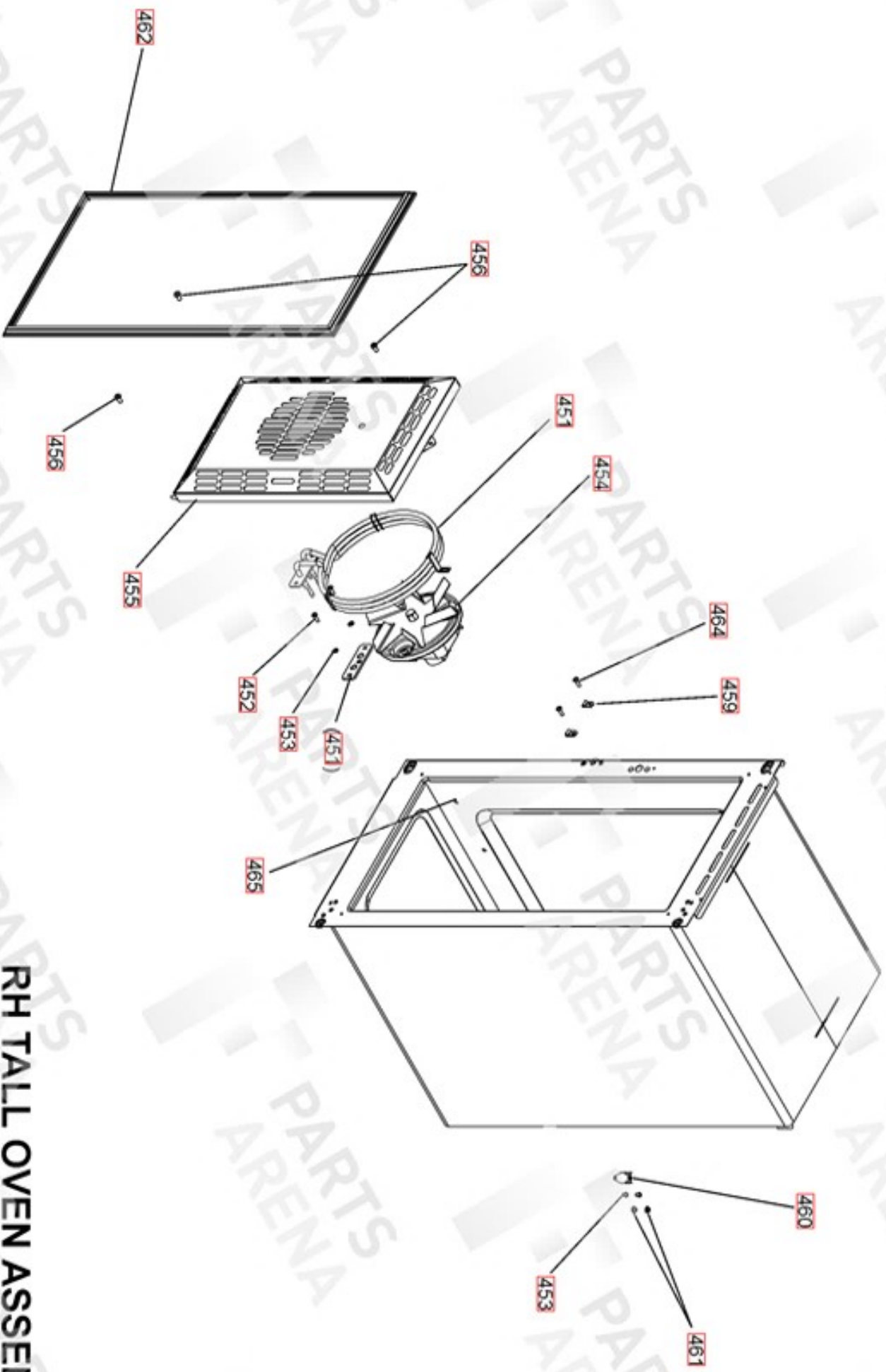


LH OVEN (FAN + LIGHT)

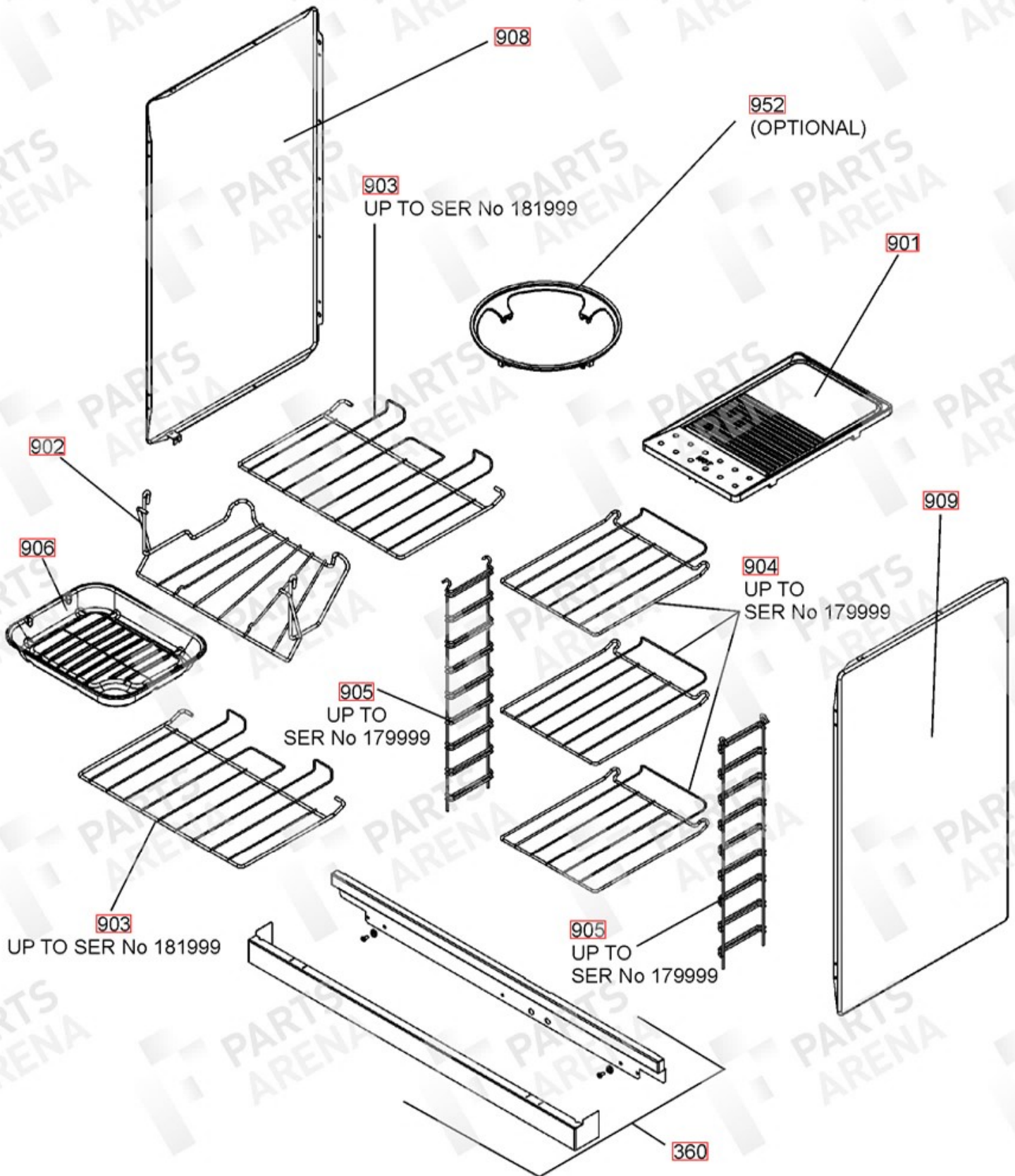
UP TO SERIAL NUMBER 181999

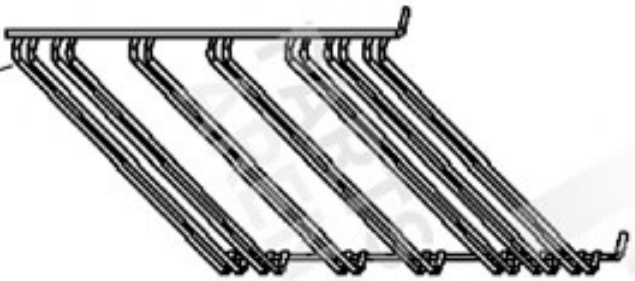


TALL FULL OVEN ASSY
UP TO SERIAL NUMBER 179999

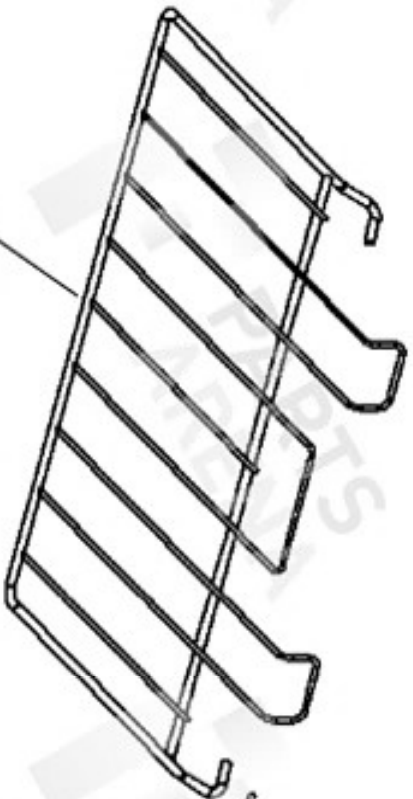


RH TALL OVEN ASSEMBLY
FROM SERIAL NUMBER 180000





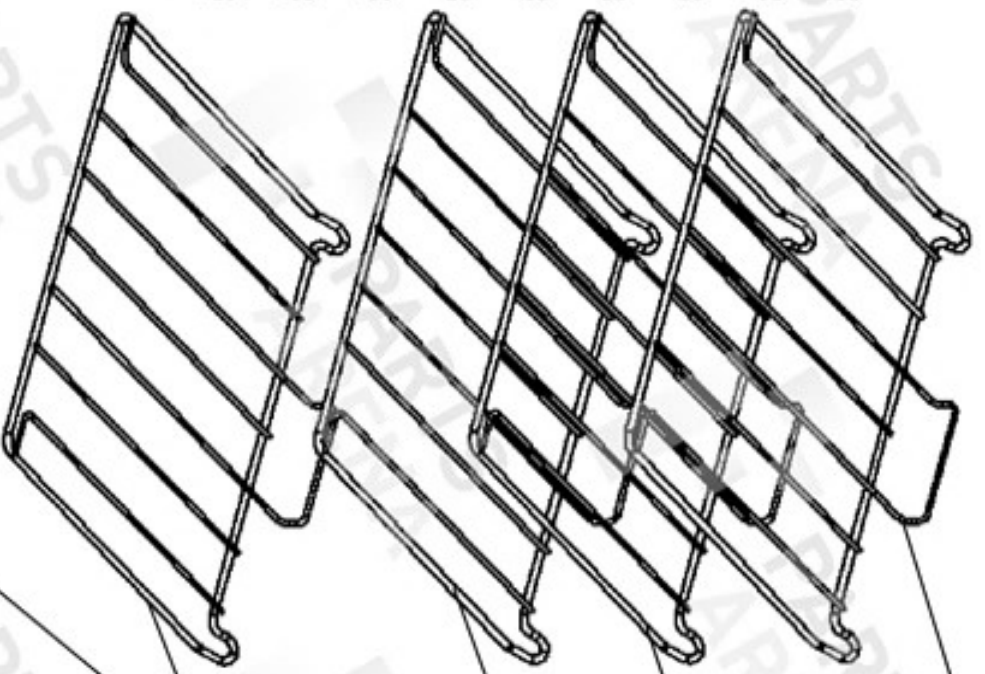
900
FROM SERIAL NUMBER 182000



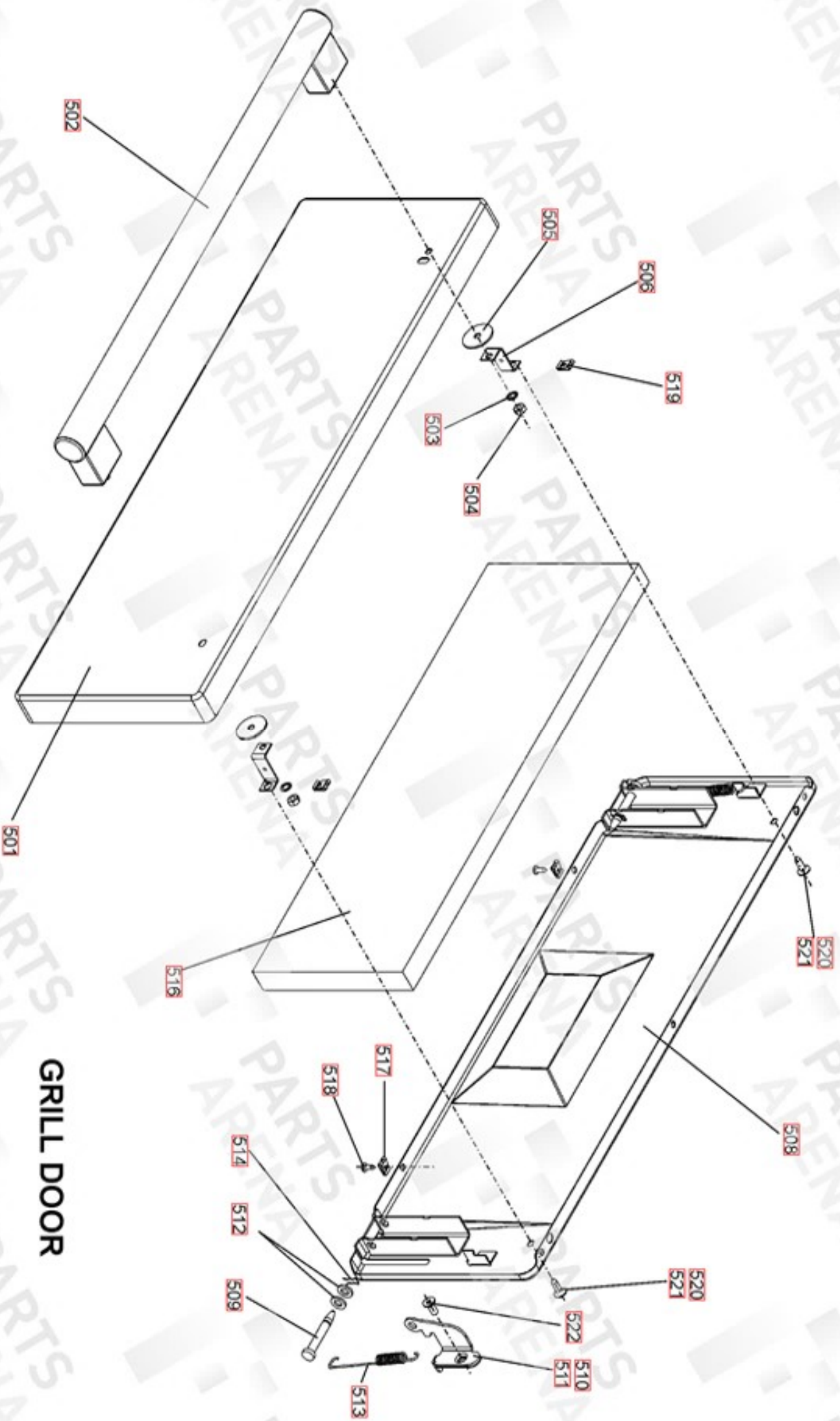
903
FROM SERIAL NUMBER 182000



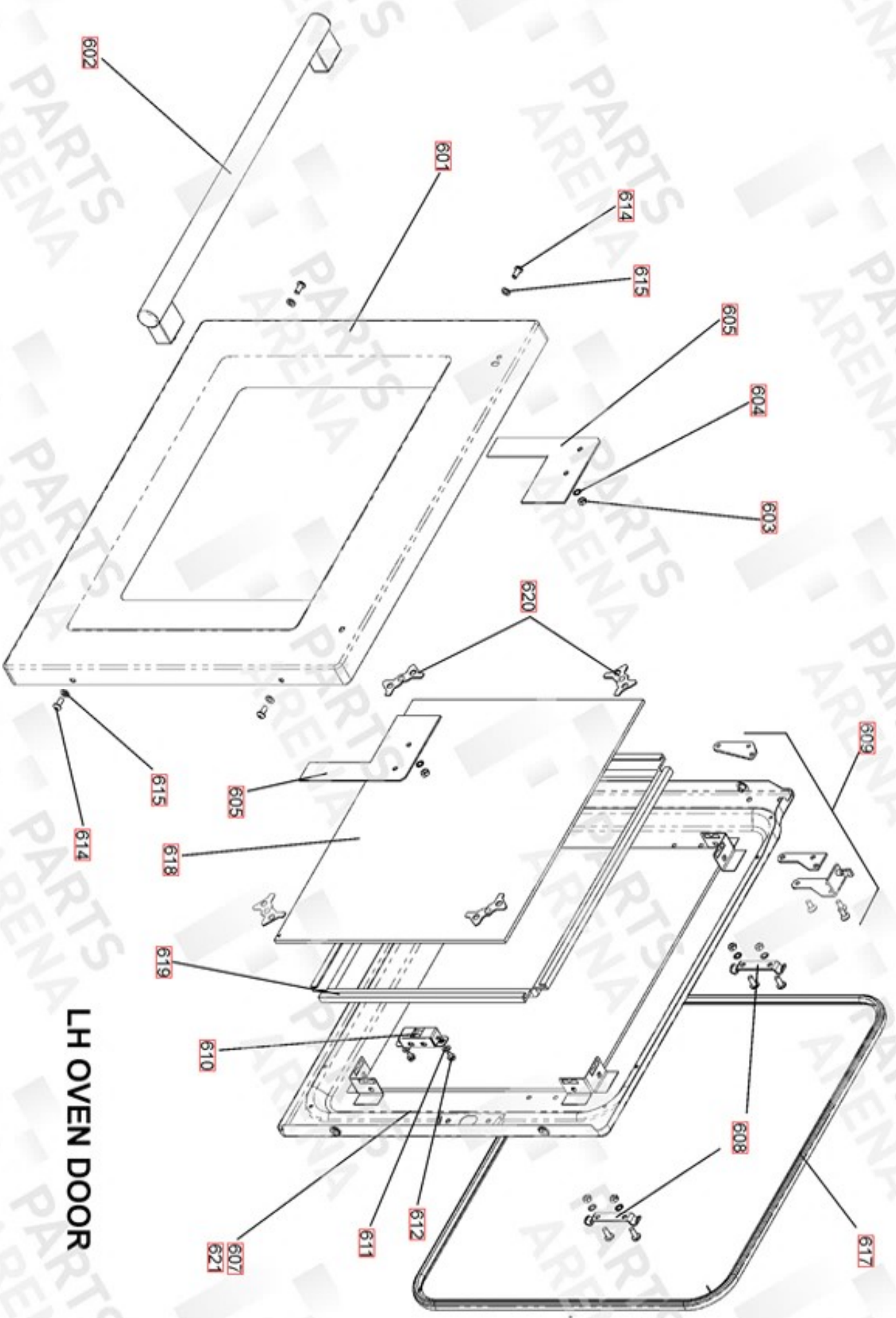
905
FROM SERIAL NUMBER 180000



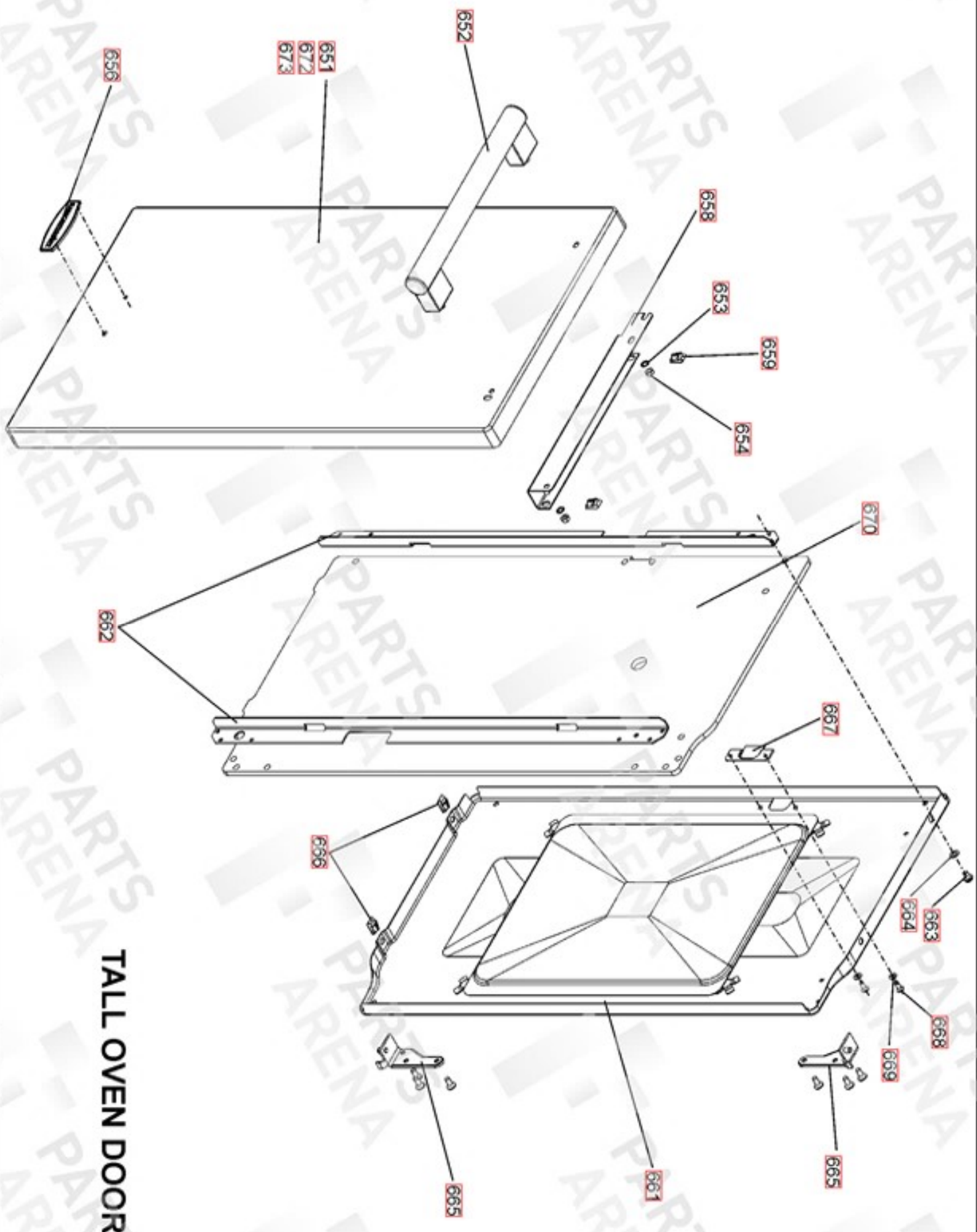
904
FROM SERIAL NUMBER 180000



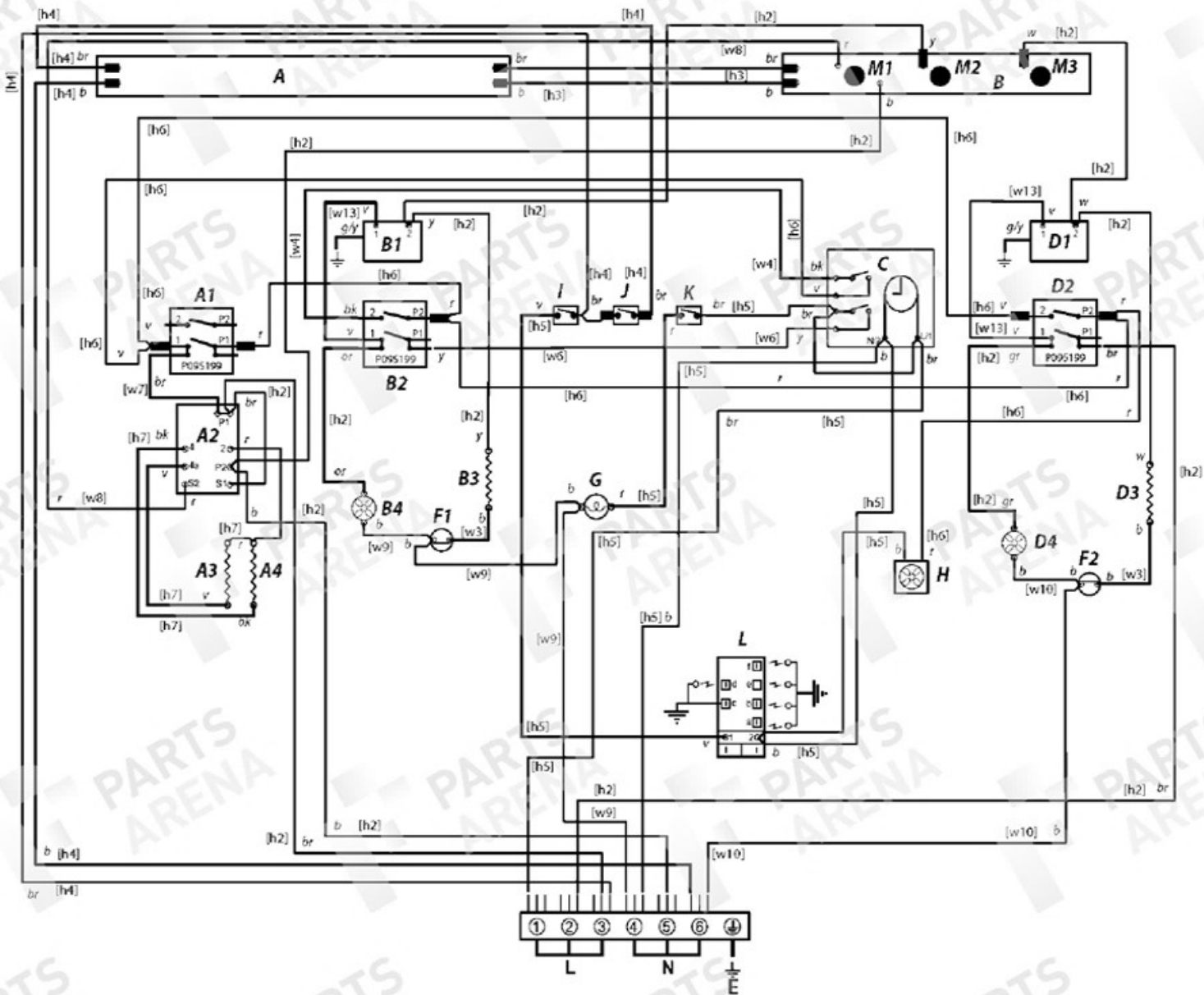
GRILL DOOR



LH OVEN DOOR



TALL OVEN DOOR



Ref Number	Part Number	Colour	Qty	Remarks
w1	P055374	g/y	2	Wire - (NI) Grill Element Earth to Cooker Back
h1	P049242	Clear	1	Harness - (NI) Spark Generator to Burner Heads
w2	P049241	g/y	1	Wire - (NI) Spark Generator to Cooker Frame
w3	P040066	b	2	Wire - Oven Element CutOuts Neutral Link
w4	P038186	bk	1	Wire - Clock to LH Oven Switch
w5	P094943	g/y	3	Wire - (NI) Thermostat Earths to Cooker Frame and Hot Plate Earth
w6	P037438	y	1	Wire - Clock to LH Oven Switch
w7	P055344	br	1	Wire - Energy Regulator to Front Switch
h2	P060875	br/b/w/y/g/or	1	Harness - Oven Harness LH and RH Oven
h3	P060872	br/b	1	Harness - Illumination Board A to B Link
h4	P060873	br/b	1	Harness - Ignition Switch / Illumination Switch plus Neutral to Illumination Board A
h5	P060874	br/b/v/r	1	Harness - Timer/Oven Light/Spark gen and Cooling Fan
h6	P060876	r/v	1	Harness - Cooling Fan Front Switch Links
w8	P094951	r	1	Wire - Energy Regulator to CFH Connection Board B
w9	P043963	b	1	Wire - Neutral Link LH Oven
w10	P036011	b	1	Wire - Neutral Link RH Oven
w11	P095450	g/y	1	Wire - (NI) Earth Link LH Oven
w12	P027672	g/y	1	Wire - (NI) Earth Link RH Oven
h7	P033958	bk/r/v	1	Harness - Grill
w13	P033086	v	2	Wire - RH and LH Oven Switch to Thermostat Link

Code	Description
A	Illumination Board - LHS
A1	Grill Front Switch
A2	Grill Energy Regulator
A3	Grill Elements - LH
A4	Grill Elements - RH
B	Illumination board - RHS
B1	Left-Hand Oven Thermostat
B2	Left-Hand Front Switch
B3	Left Hand Oven Element
B4	Left Hand Oven Fan
F1	Left hand Oven Thermal CutOut
C	Clock

Code	Description
D1	Right - Hand Oven Thermostat
D2	Right - Hand Oven Front Switch
D3	Right - Hand Oven Element
D4	Right - Hand Oven Fan
F2	Right - Hand Oven Thermal CutOut
G	Oven Light
H	Cooling Fan
I	Ignition Switch
J	Illumination Switch
K	Oven Light Switch
L	Spark Generator
M1	Grill Heat Indicator
M2	Left - Hand Oven Heat Indicator
M3	Right - Hand Oven Heat Indicator

Code	Colour
b	Blue
br	Brown
bk	Black
or	Orange
r	Red
v	Violet
w	White
y	Yellow
g/y	Green/Yellow
gr	Grey