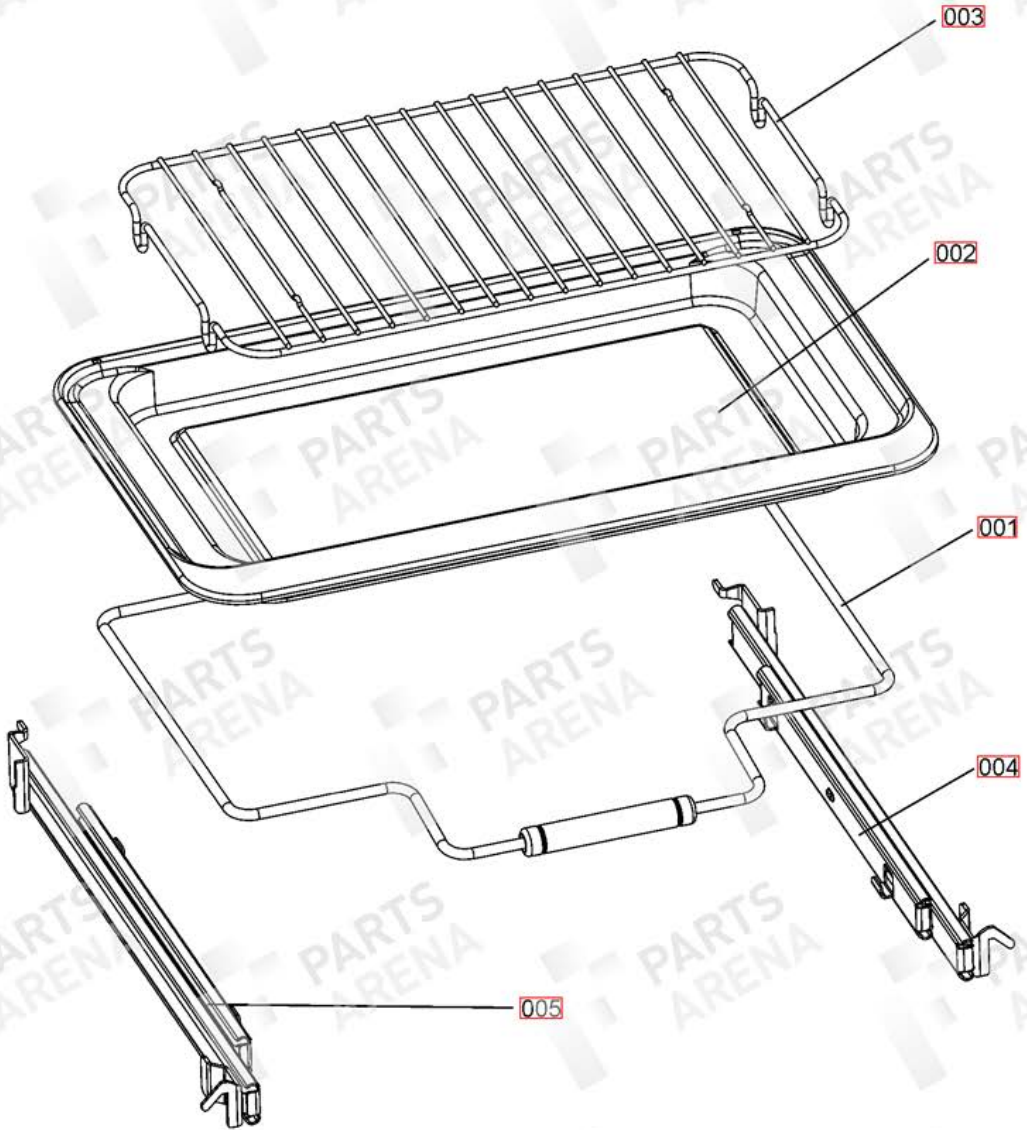
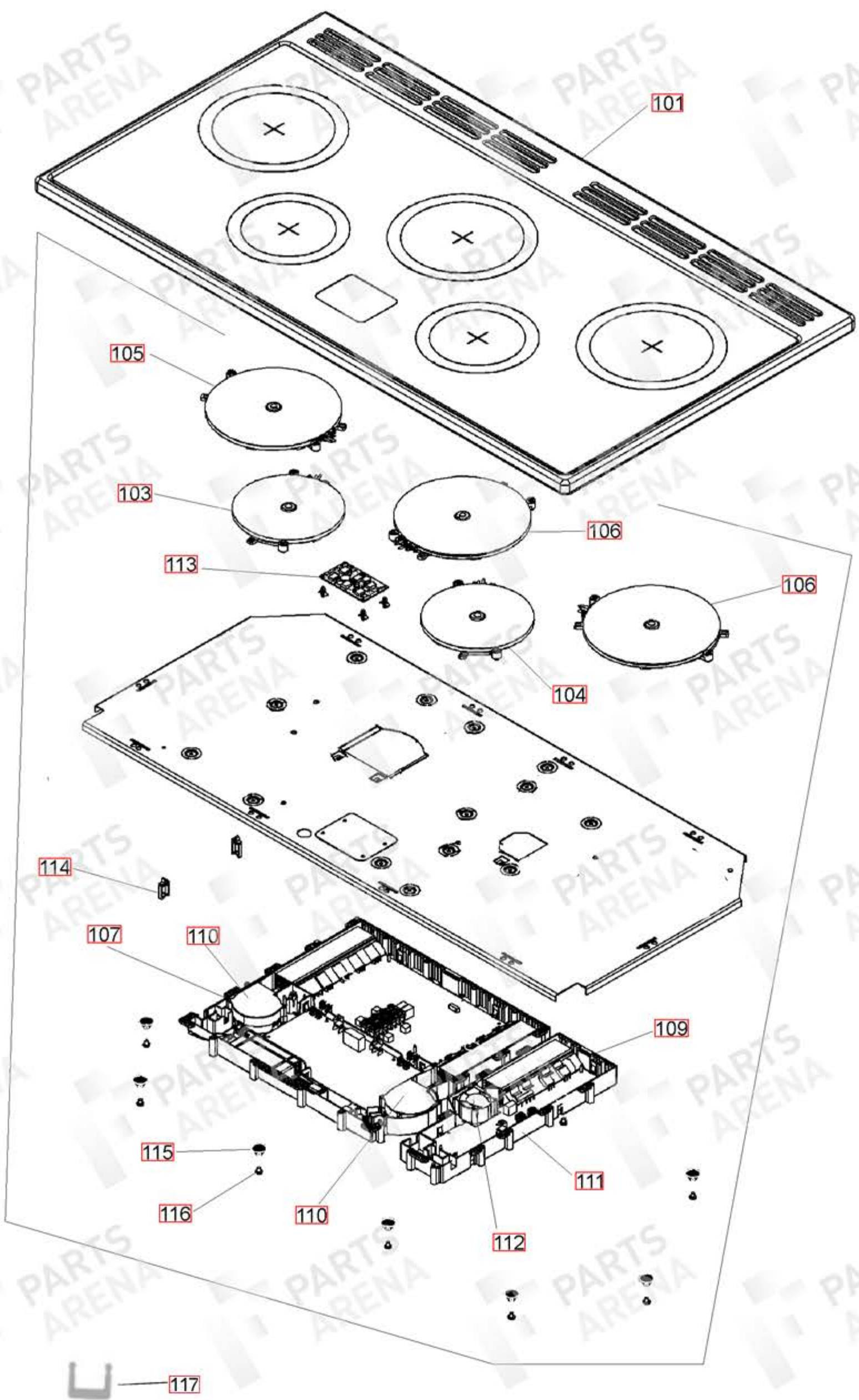


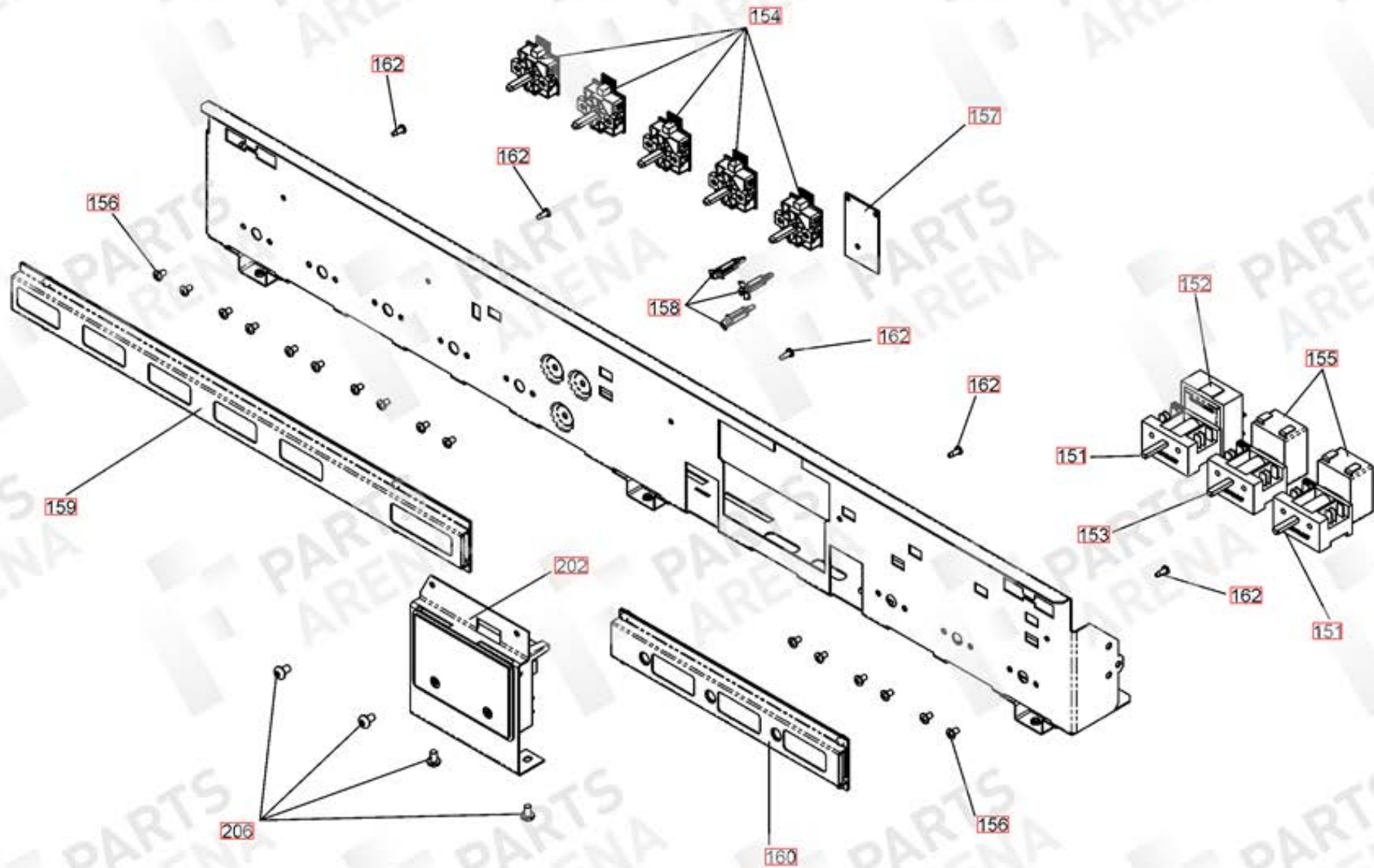
HI-LITE 110 INDUCTION

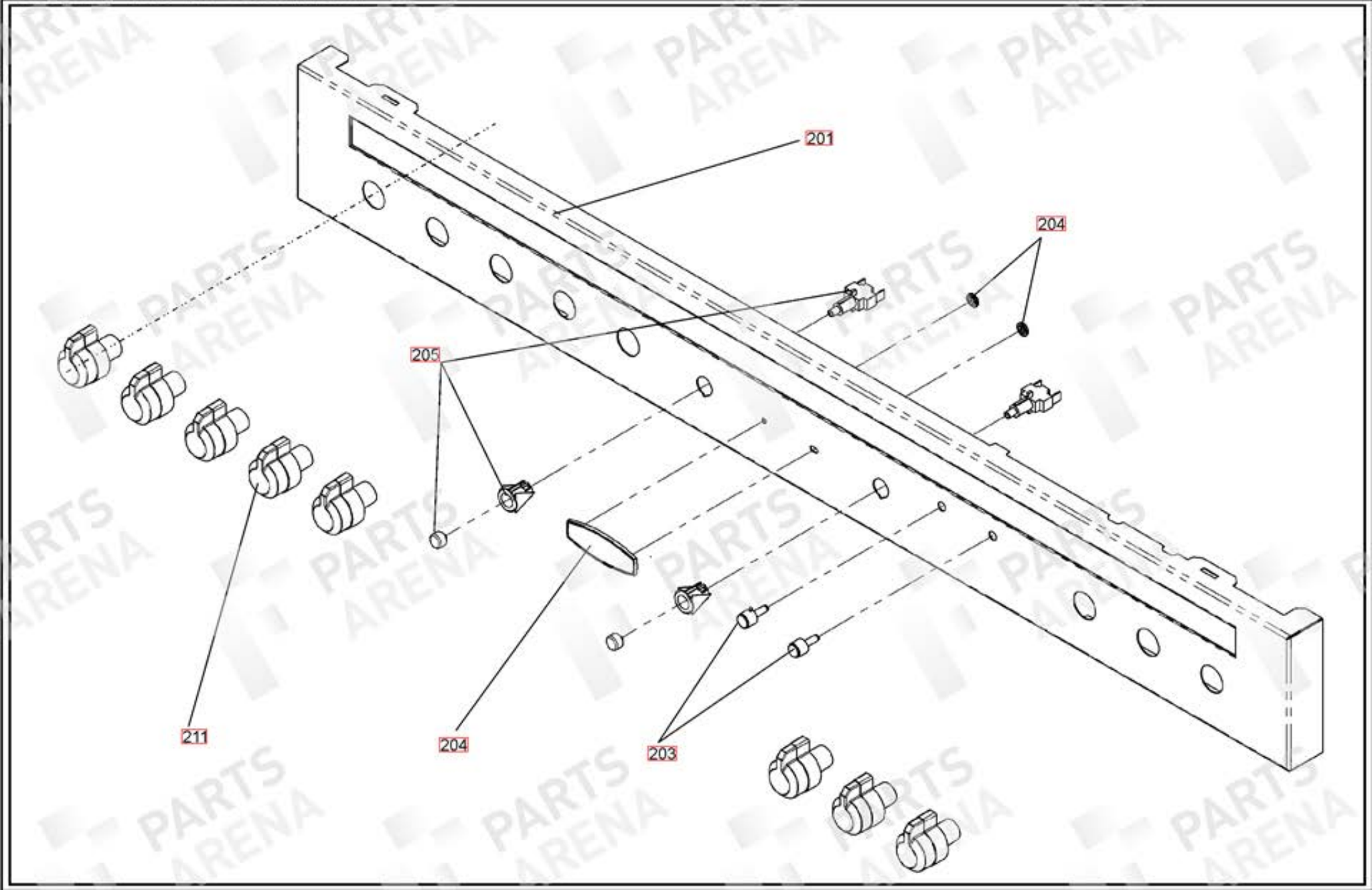
DSL0564 P01

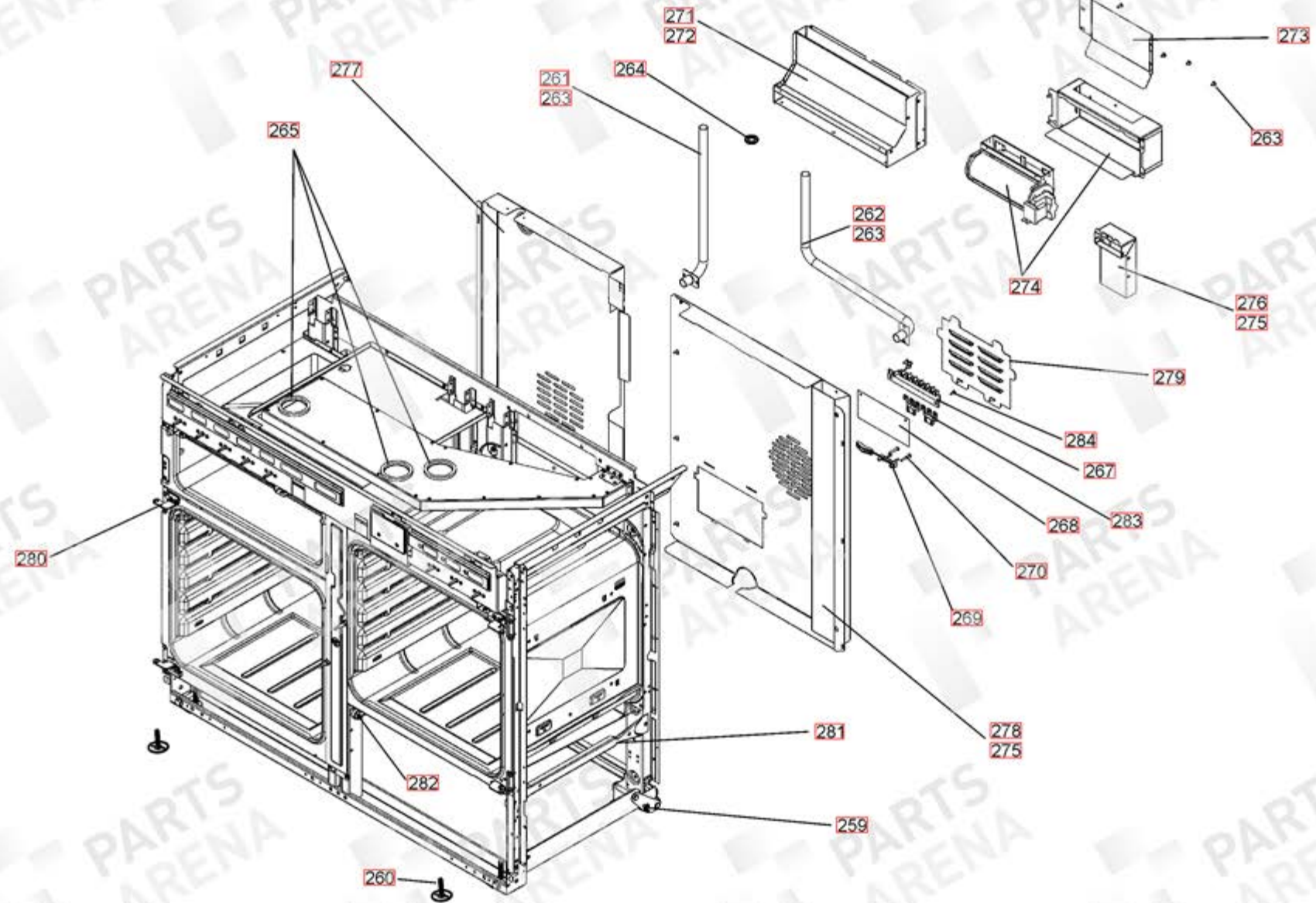
DATE 05.06.14 ISSUE STATUS 01



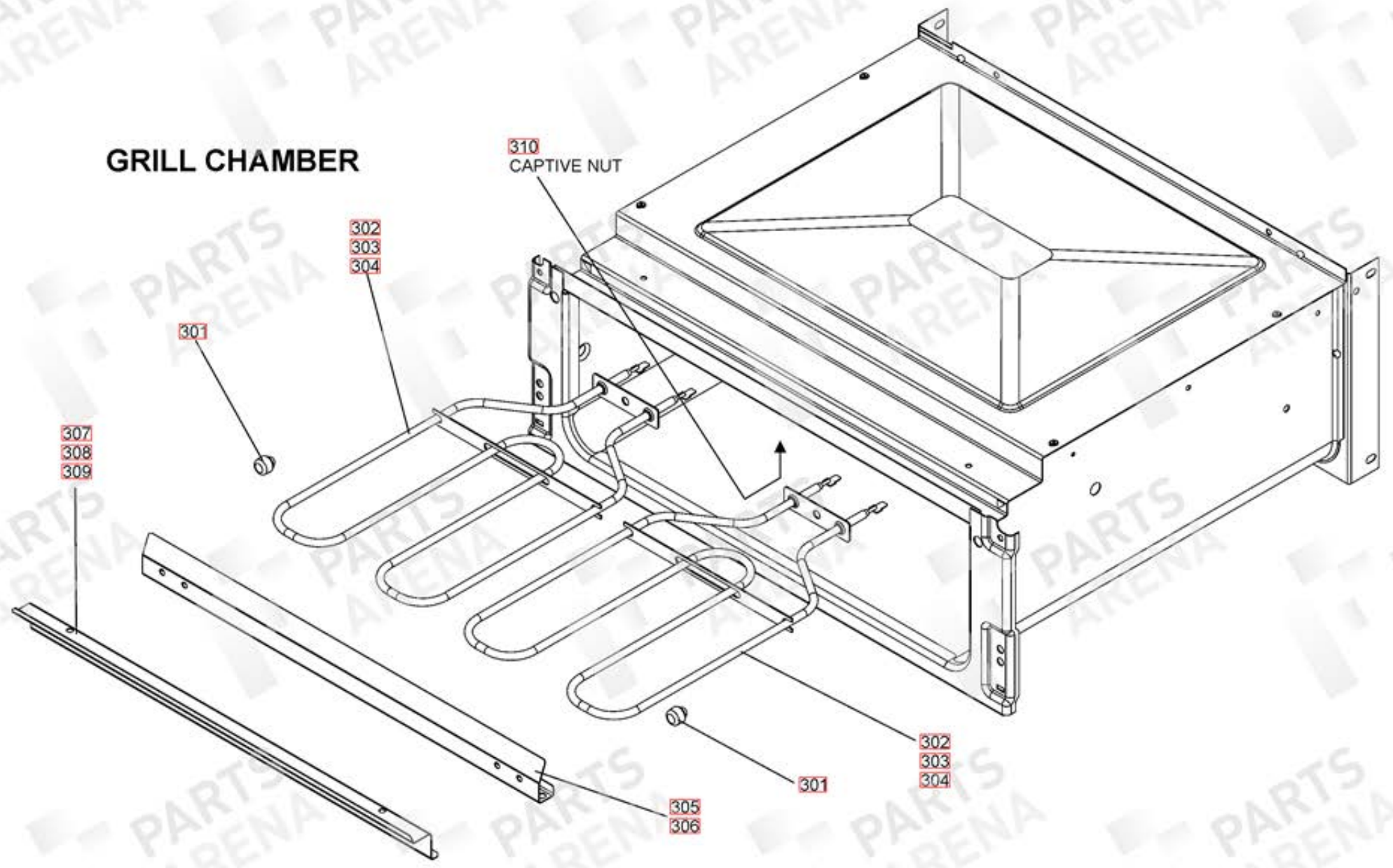


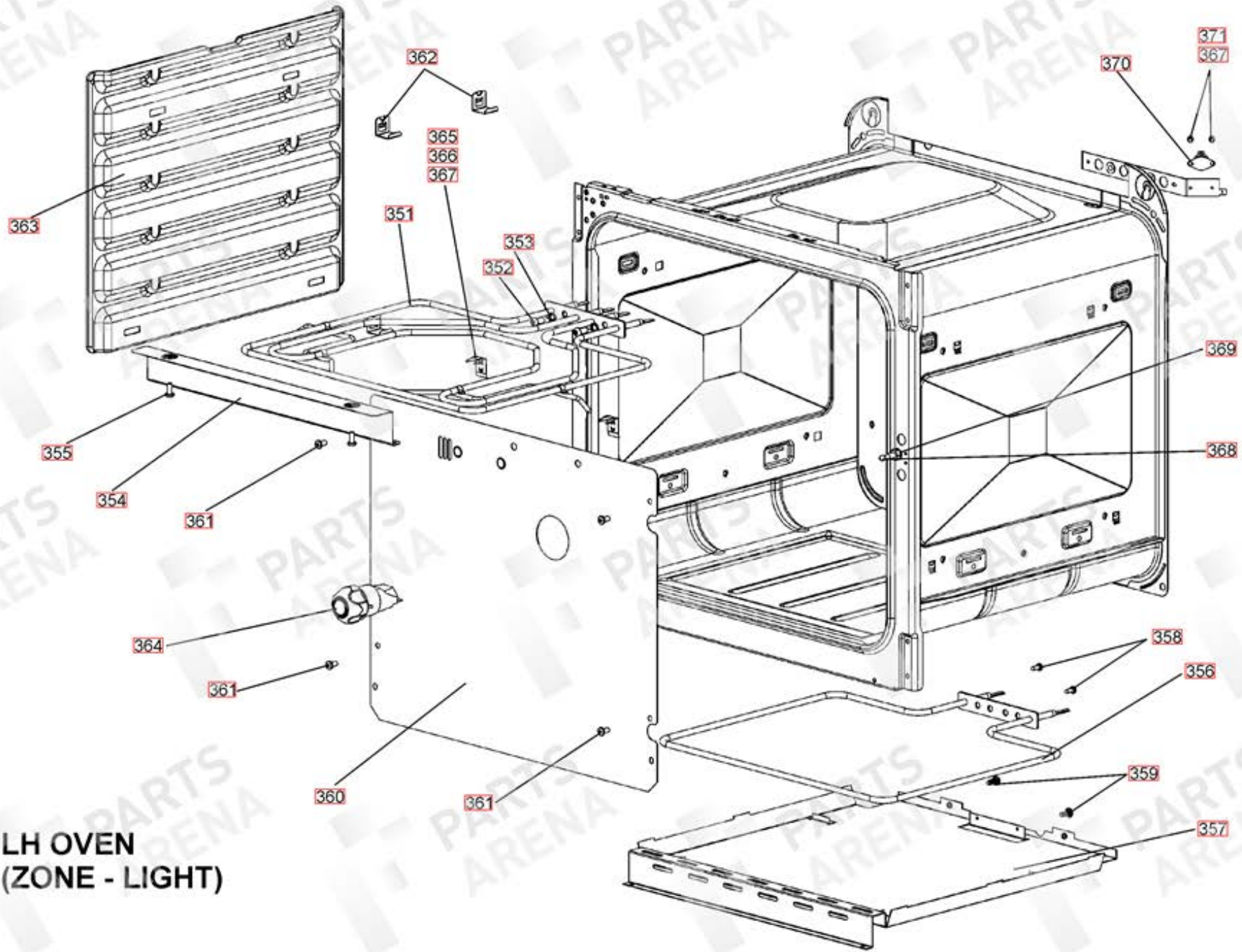




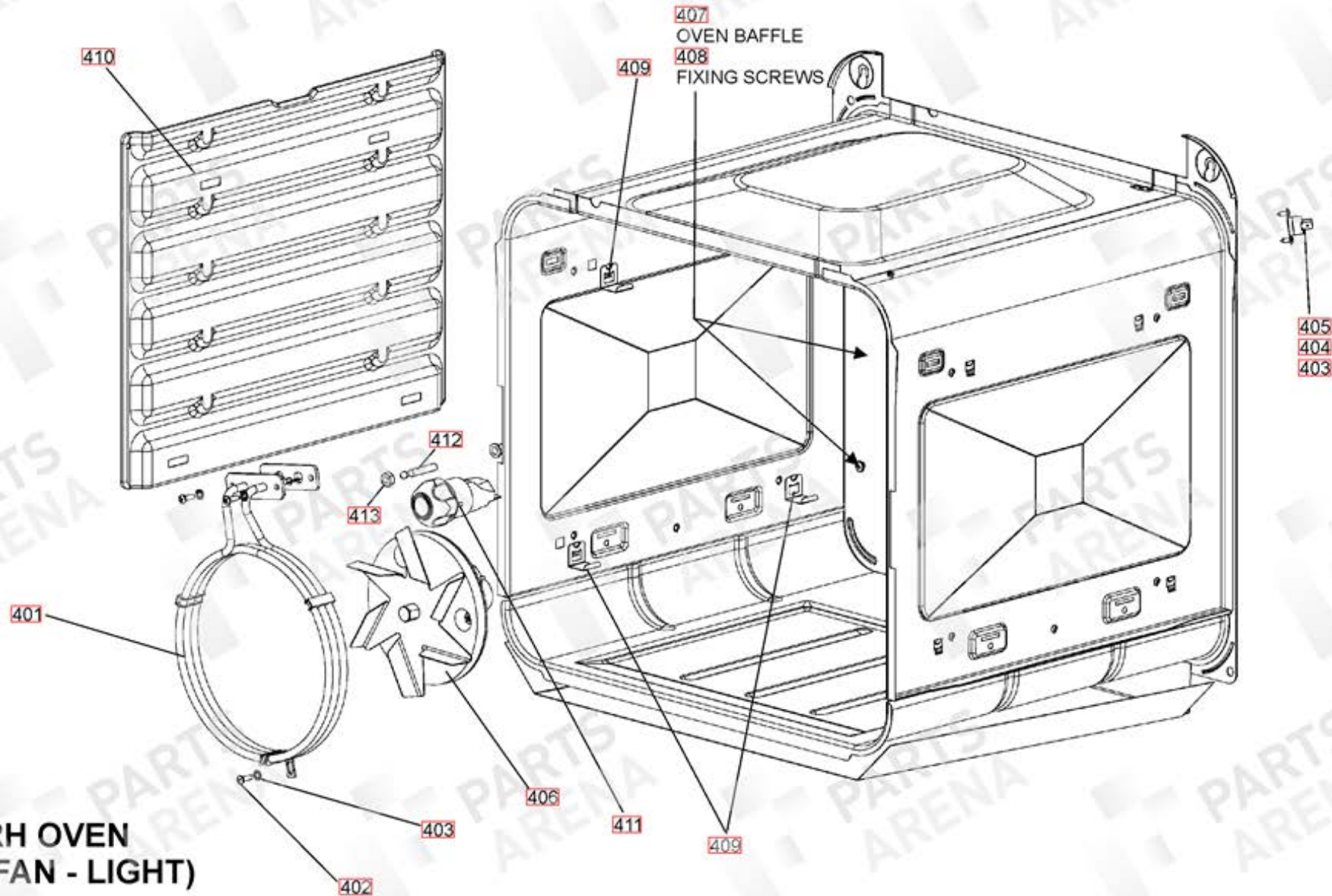


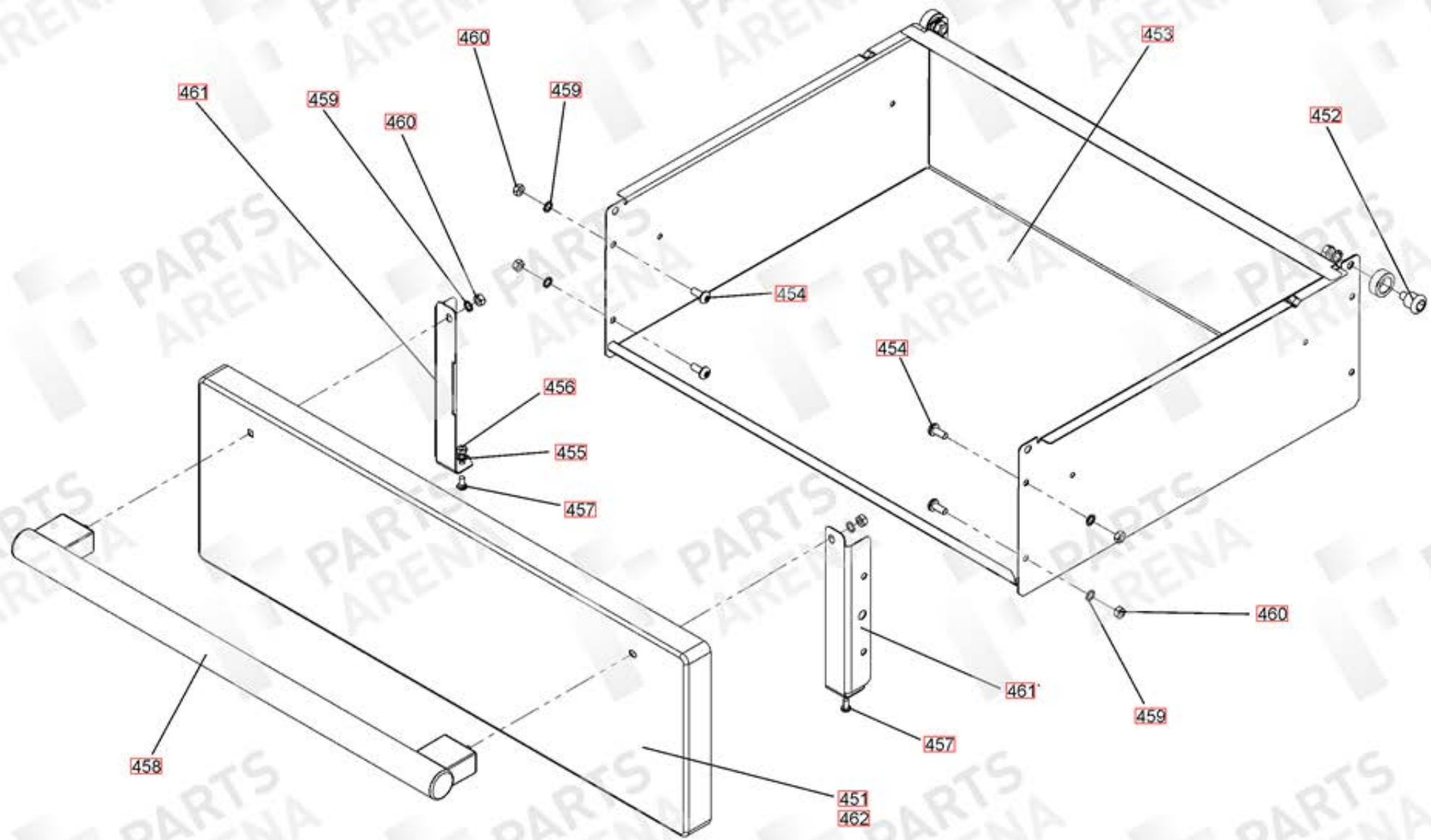
GRILL CHAMBER

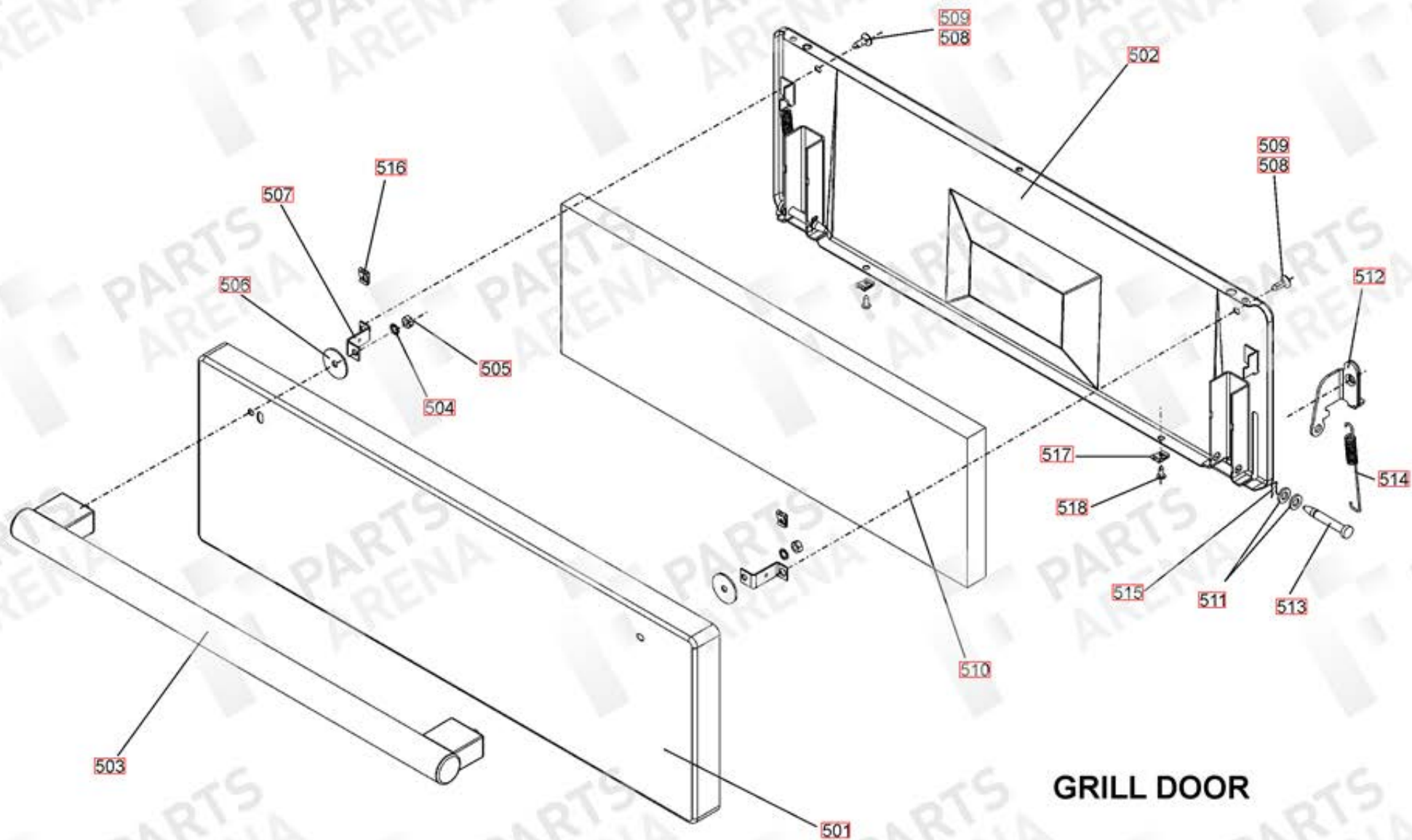


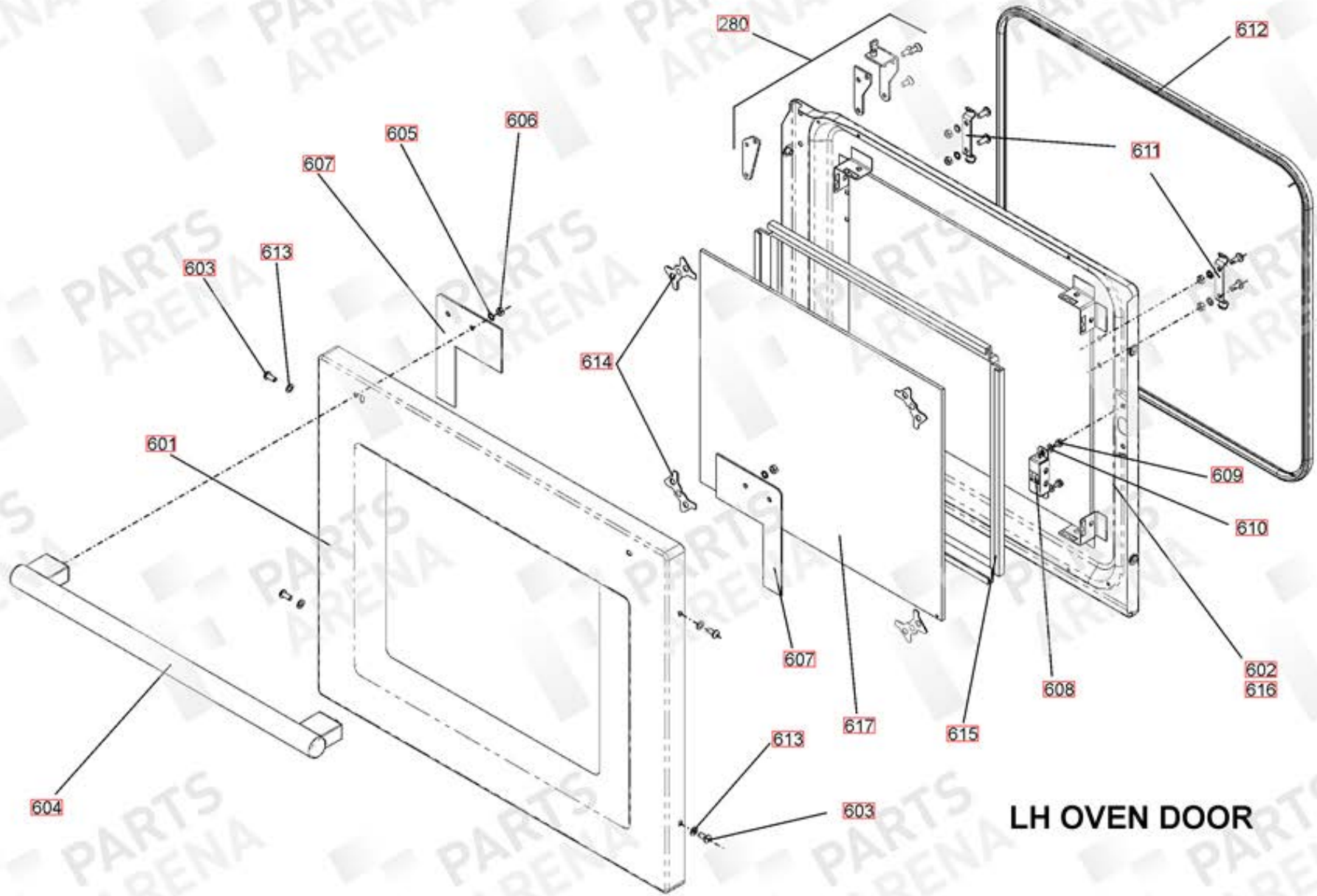


LH OVEN
(ZONE - LIGHT)

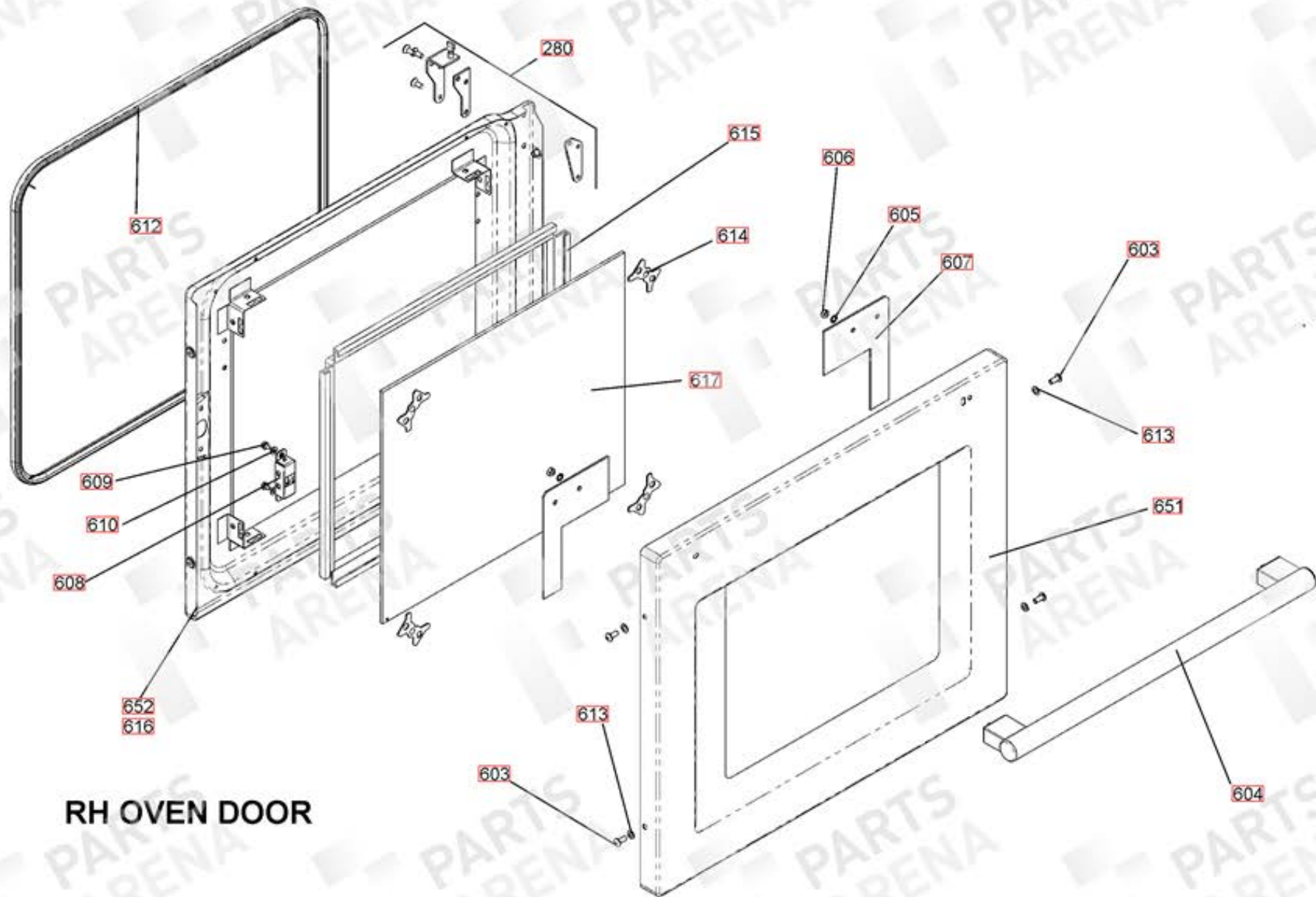




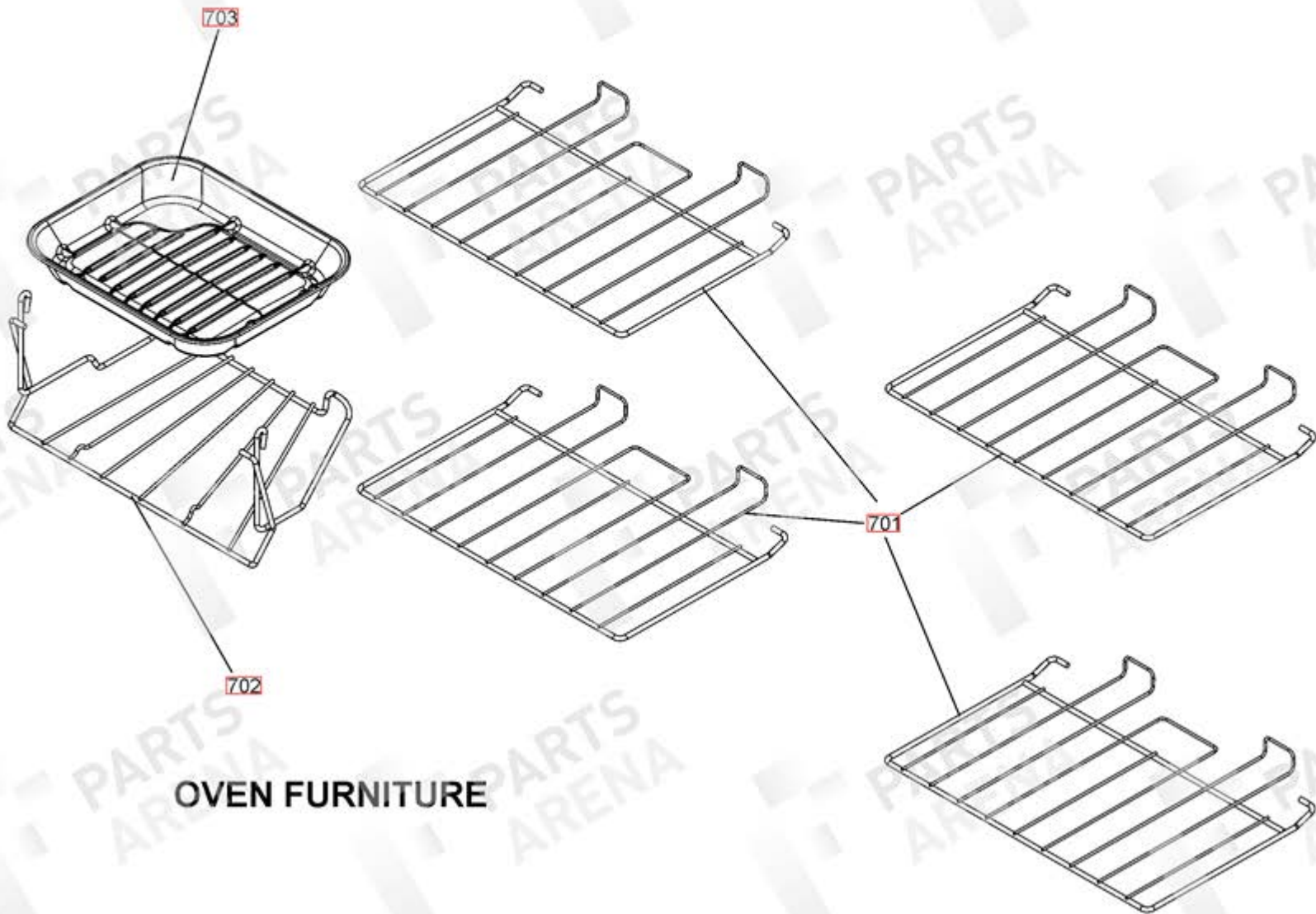




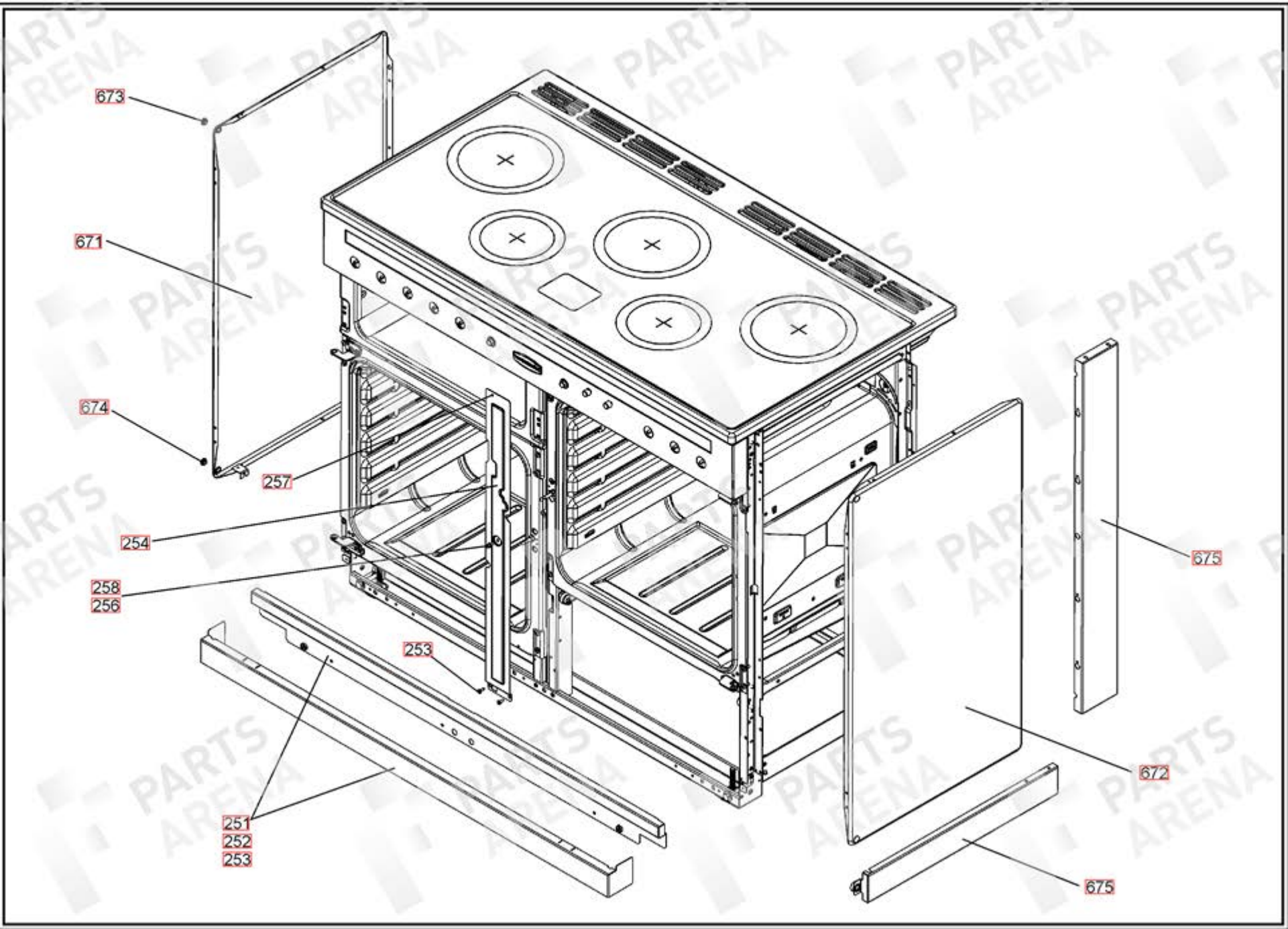
LH OVEN DOOR

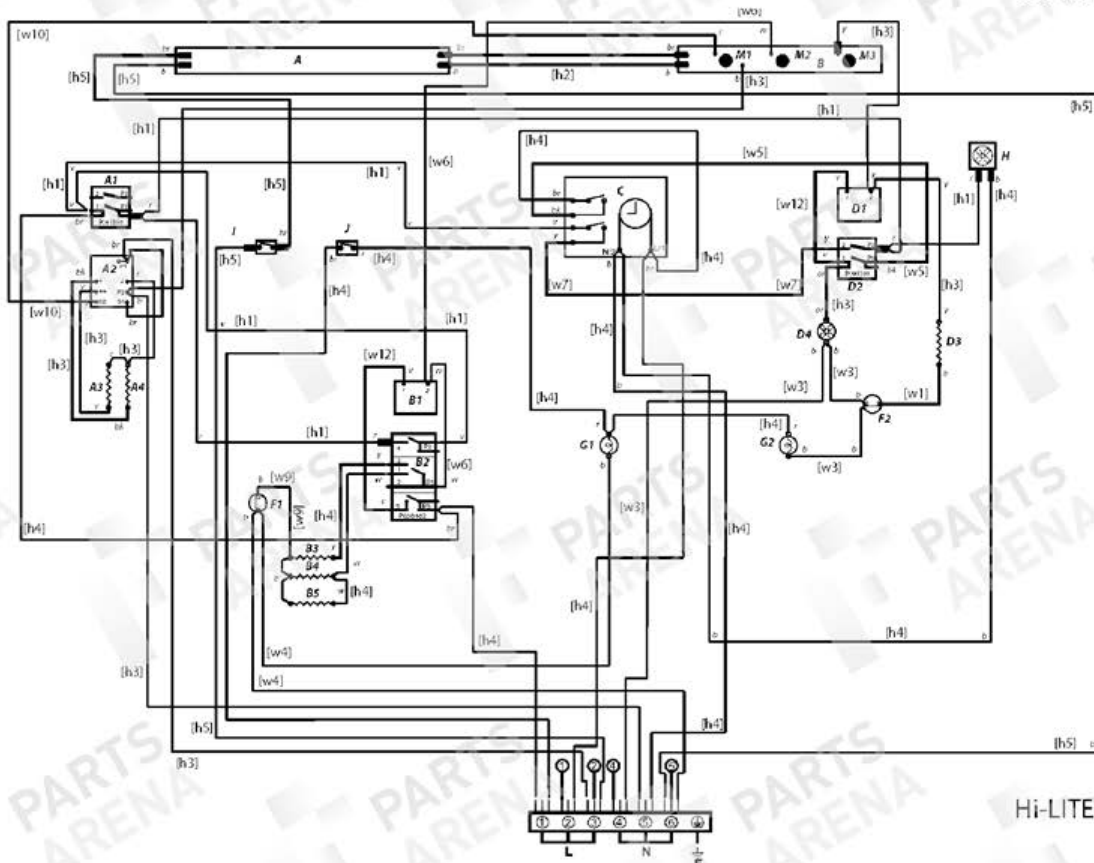


RH OVEN DOOR



OVEN FURNITURE





Hi-LITE 110 IND

Ref Number	Part Number	Colour	Qty	Remarks
[w1]	P040066	b	1	Wire - RH OvenElement Cut Out Link
[w2]	P043962	g/y	1	Wire (N) - Earth Link LH Oven and RH Oven
[w3]	P043963	b	1	Wire - Neutral Link RH Oven
[w4]	P043965	b	1	Wire - Neutral Link LH Oven
[w5]	P049233	bk	1	Wire - Clock to RH Oven Switch
[w6]	P095565	w	1	Wire - LH Oven Switch to Illumination Board B
[w7]	P037438	y	1	Wire - Clock to RH Oven Switch - Cooling Fan Control
[w8]	P094943	g/y	2	Wire - (N) EARTH LINKS T/STAT
[w9]	P043964	b	1	Wire - Neutral Link LH Oven
[w10]	P040719	r	1	Wire - Grill Front Switch to Illumination board B
[w11]	P055374	g/y	2	Wire - (N) Grill Earth Links
[h1]	P060876	r/v	1	Harness - Cooling Fan Front Swithes
[h2]	P060872	b/br	1	Harness - Illumination Board Link Harness
[w12]	P033086	v	2	Wire - LH and RH Thermostat to Front Switch Link
[h3]	P060907	v/v/bk/or/br/b/r	1	Harness - Grill and RH Oven
[h4]	P061652	w/br/b/r	1	Harness - LH Oven/Clock and Oven Lights
[h5]	P061626	br/b	1	Harness - Illumination Board A / Neutral Link
[h6]	P051839	br/b/g/y	1	Harness - Induction Unit to Connector Block
[h7]	P052814	br/b	1	Harness - Connector Block to Terminal Block
[h8]	P052073	g/y	1	Wire - Induction Plate and Hob Earth
[h9]	P043937	br	3	Harness - 4 Wire LIN Interface Board to Rotary Control Pos 1,2,4
[h10]	P043936	br	2	Harness - 4 Wire LIN Interface Board to Rotary Control Pos 3,5
[h11]	P051766	br	1	Harness - 8 Wire LIN Interface Board to Induction Unit K6

Code	Colour
b	Blue
br	Brown
bk	Black
or	Orange
r	Red
v	Violet
w	White
y	Yellow
g/y	Green/Yellow
gr	Grey

Code	Description
A	Illumination Board - LHS
A1	Grill Front Switch
A2	Grill Energy Regulator
A3	Grill Elements -LH
A4	Grill Elements -RH
B	Illumination board - RHS
B1	Left - Hand Oven Thermostat
B2	Left - Hand Front Switch
B3	Left Hand Oven Top Inner Element
B4	Left Hand Oven Top Outer Element
B5	Left Hand Oven Bottom Element
F1	Left hand Oven Thermal Preset
C	Clock

Code	Description
D1	Right - Hand Oven Thermostat
D2	Right - Hand Oven Front Switch
D3	Right- Hand Oven Element
D4	Right - Hand Oven Fan
F2	Right - Hand Oven Thermal Preset
G1	Left Hand Oven Light
G2	Right hand Oven Light
H	Cooling Fan
I	Illumination Switch
J	Oven Light Switch
M1	Grill Heat Indicator
M2	Left - Hand Oven Heat Indicator
M3	Right - Hand Oven Heat Indicator