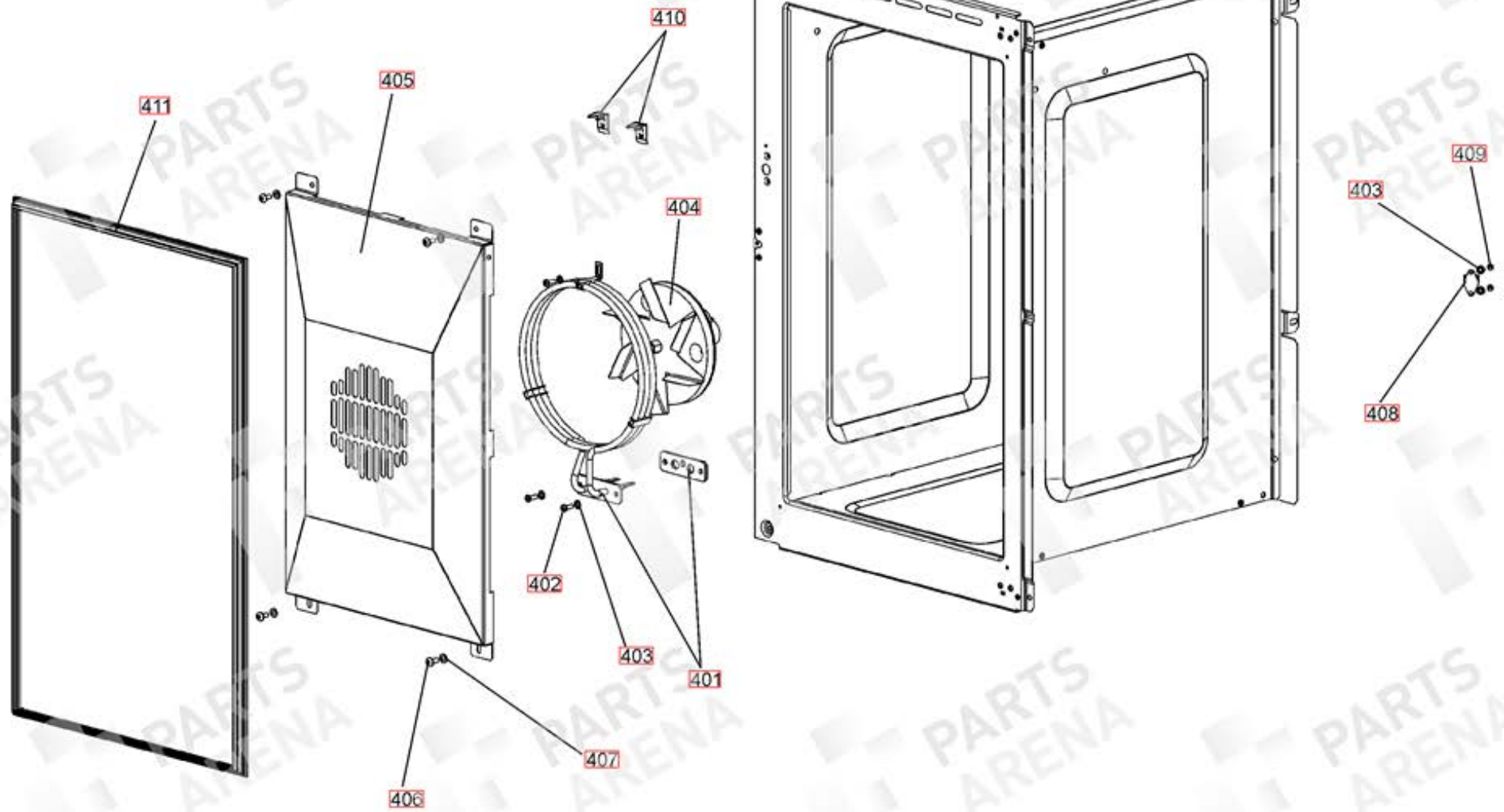


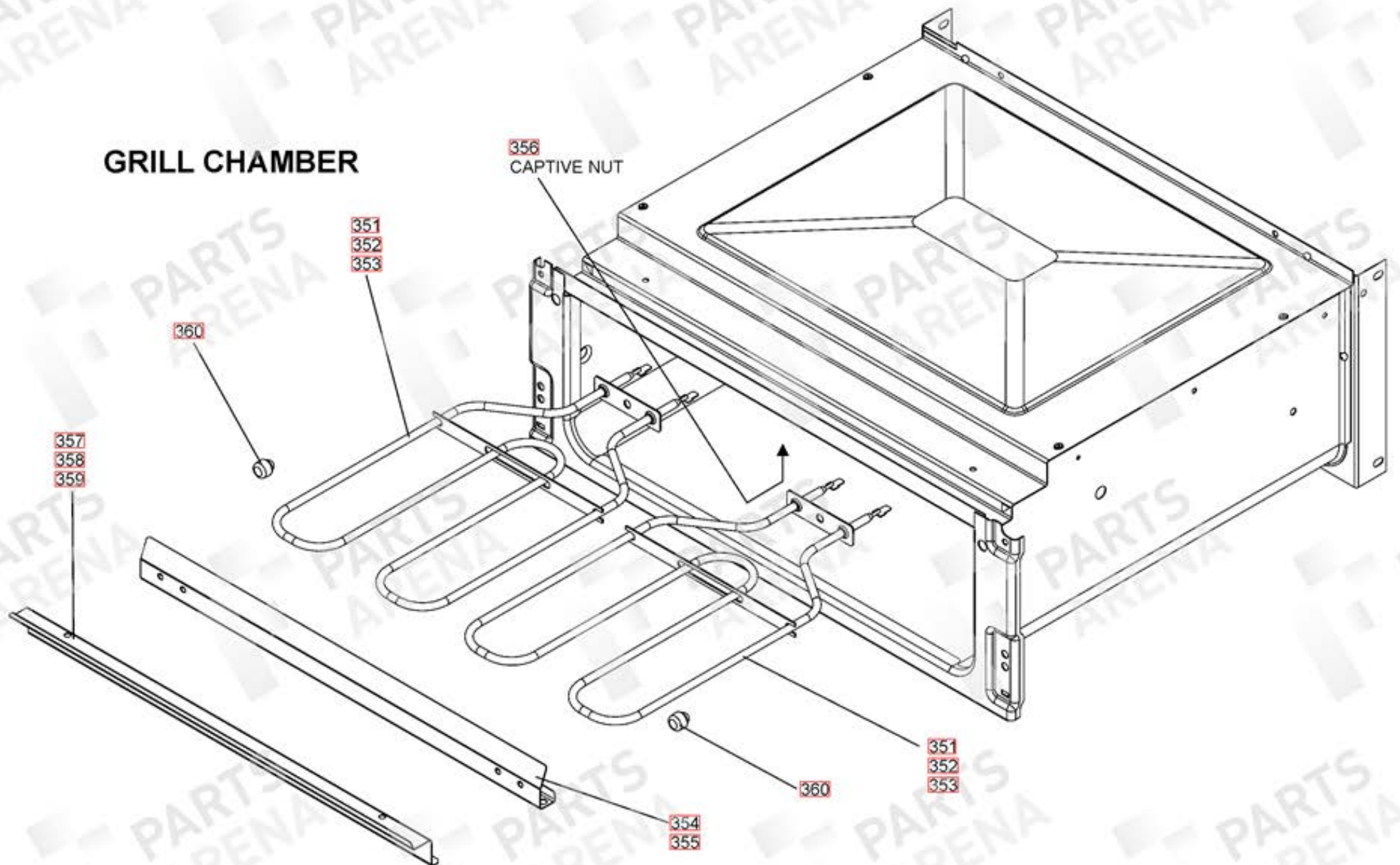
LH OVEN (FAN + LIGHT)

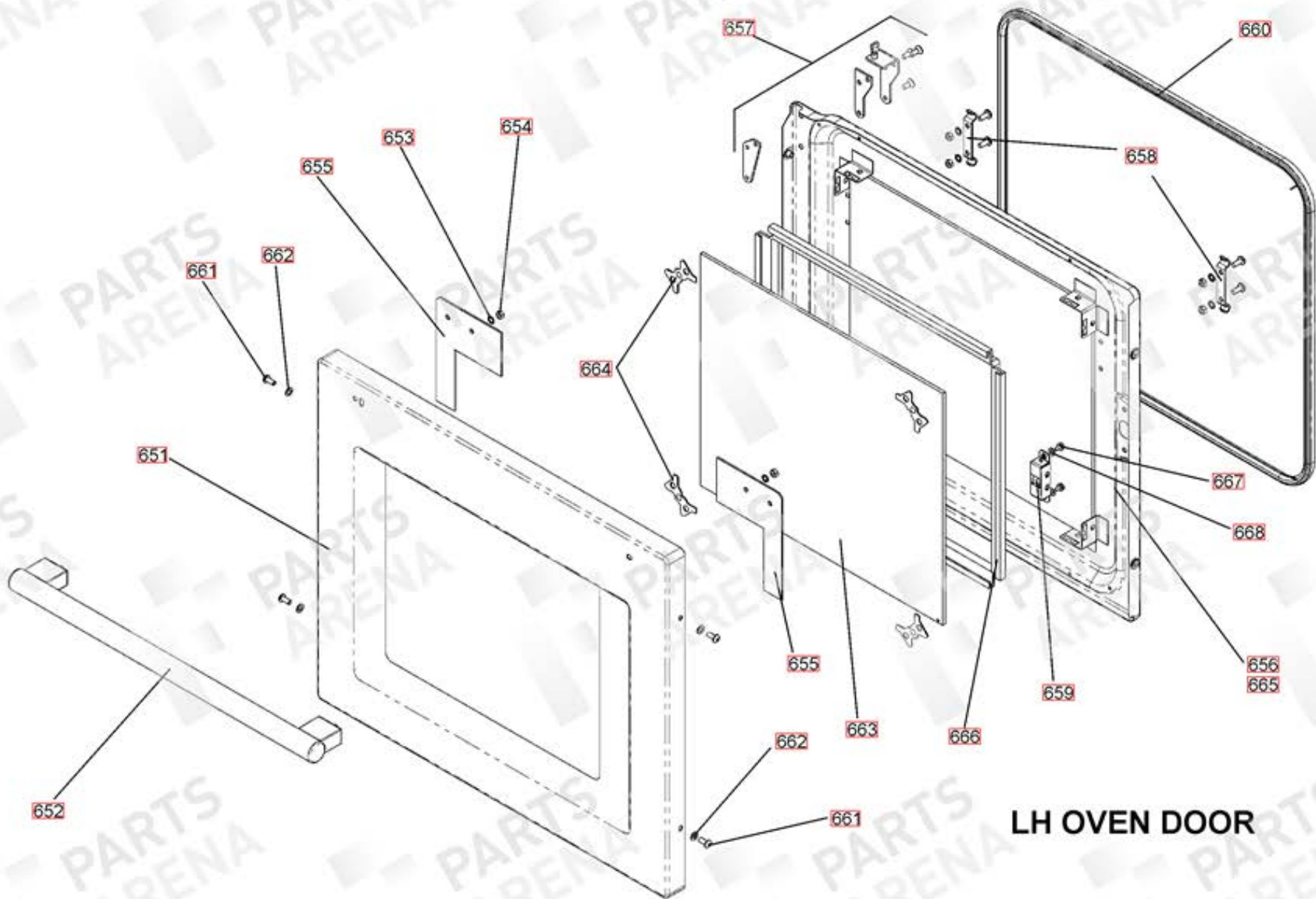
100 TALL OVEN ASSEMBLY



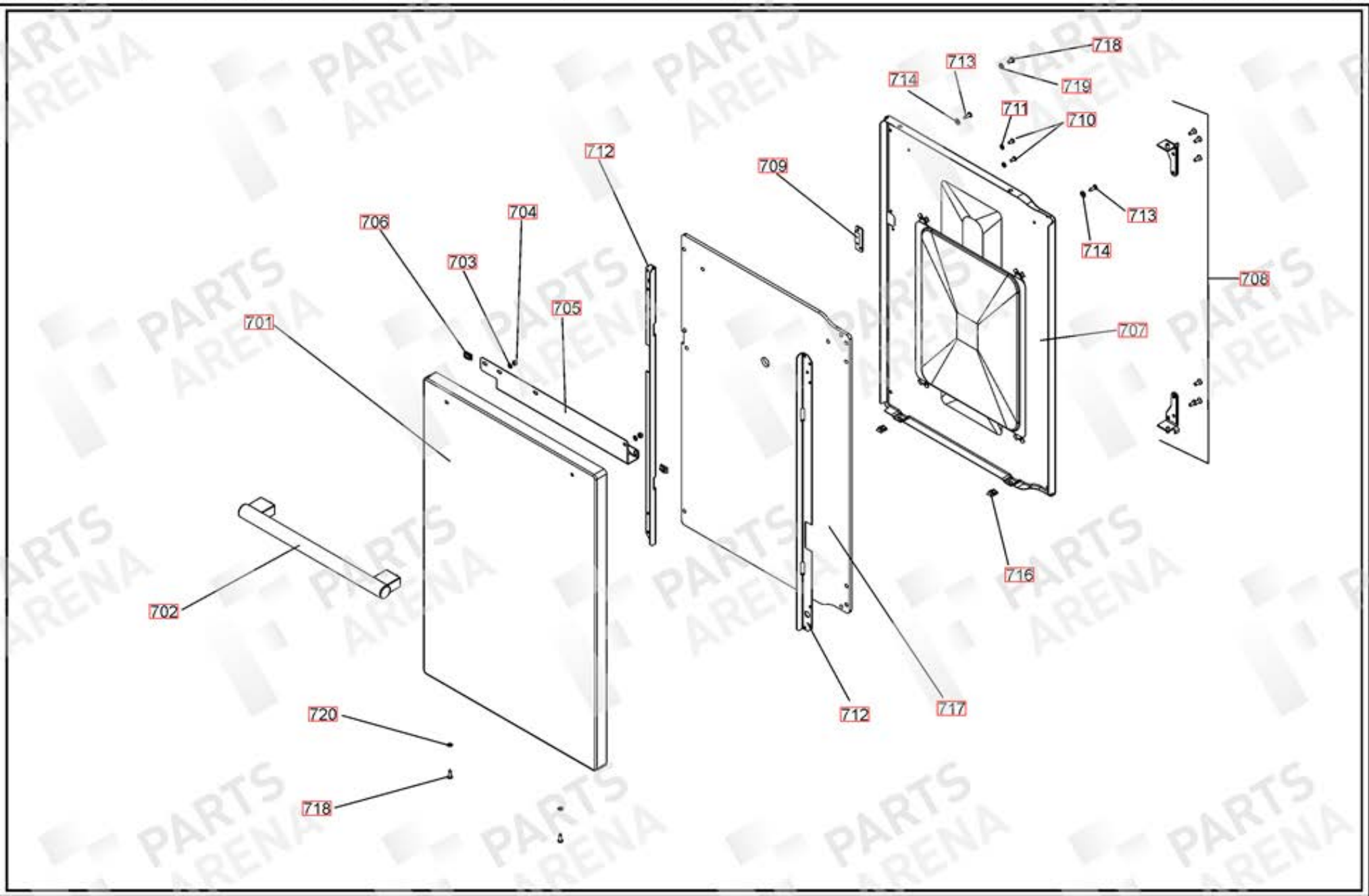


GRILL CHAMBER

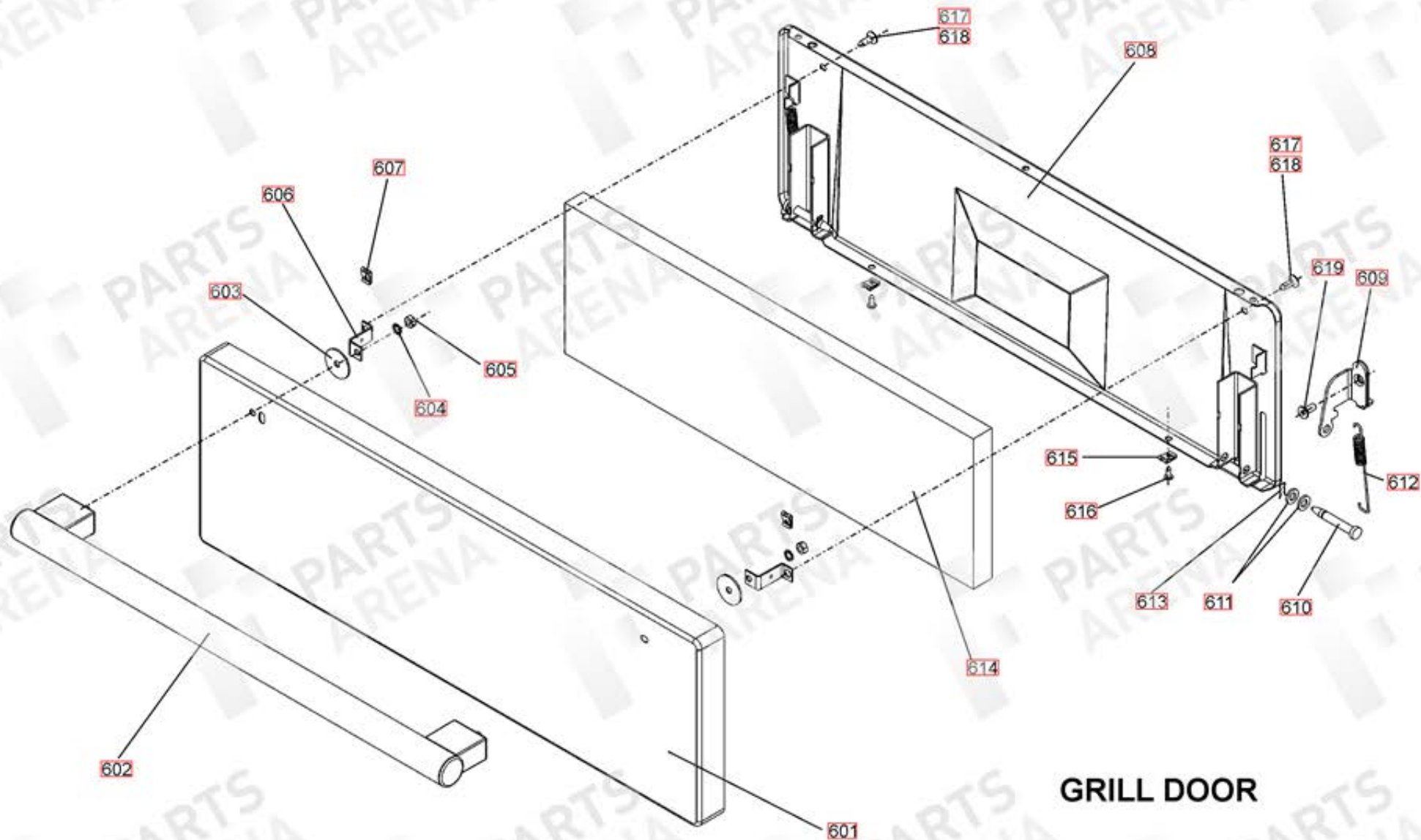




LH OVEN DOOR





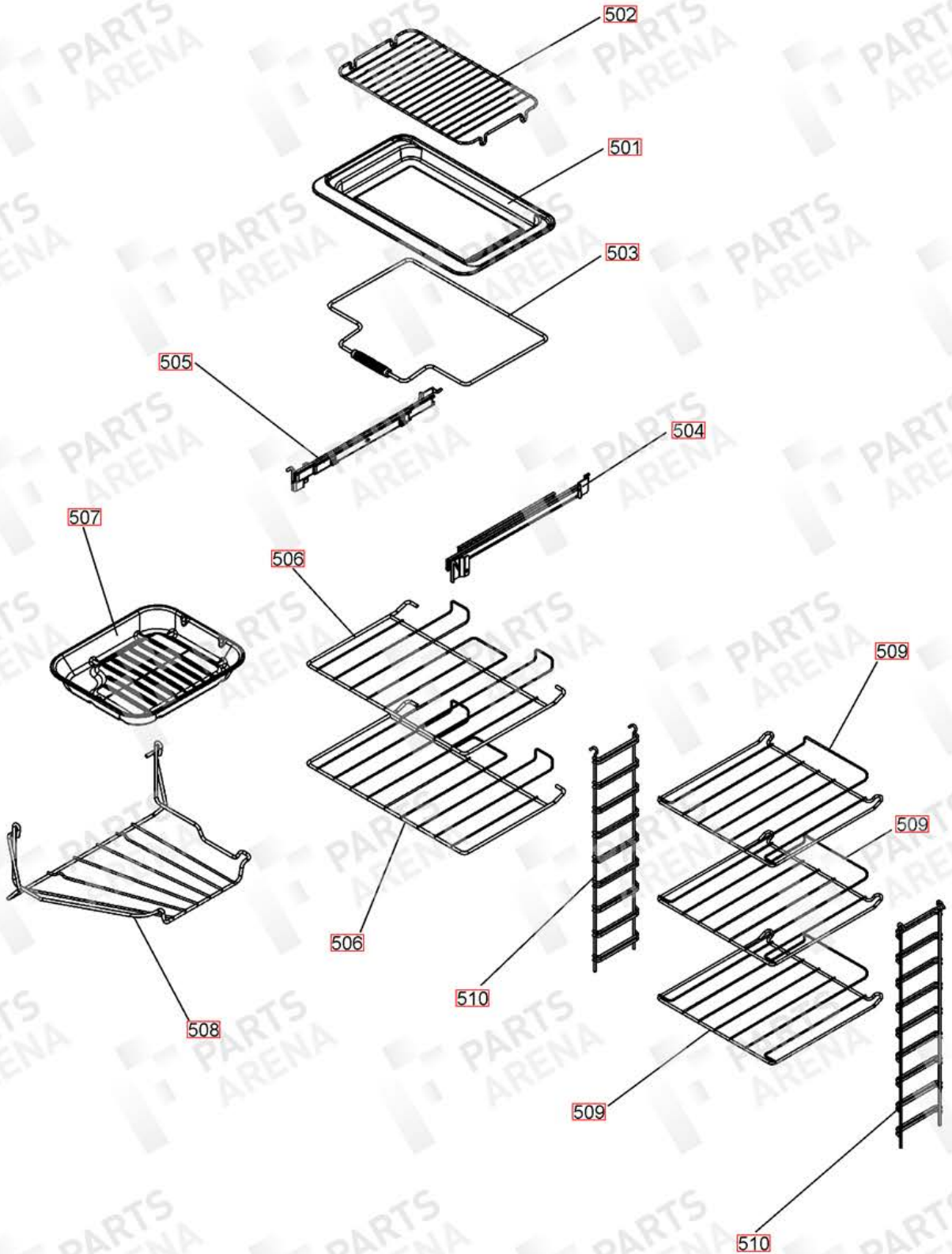


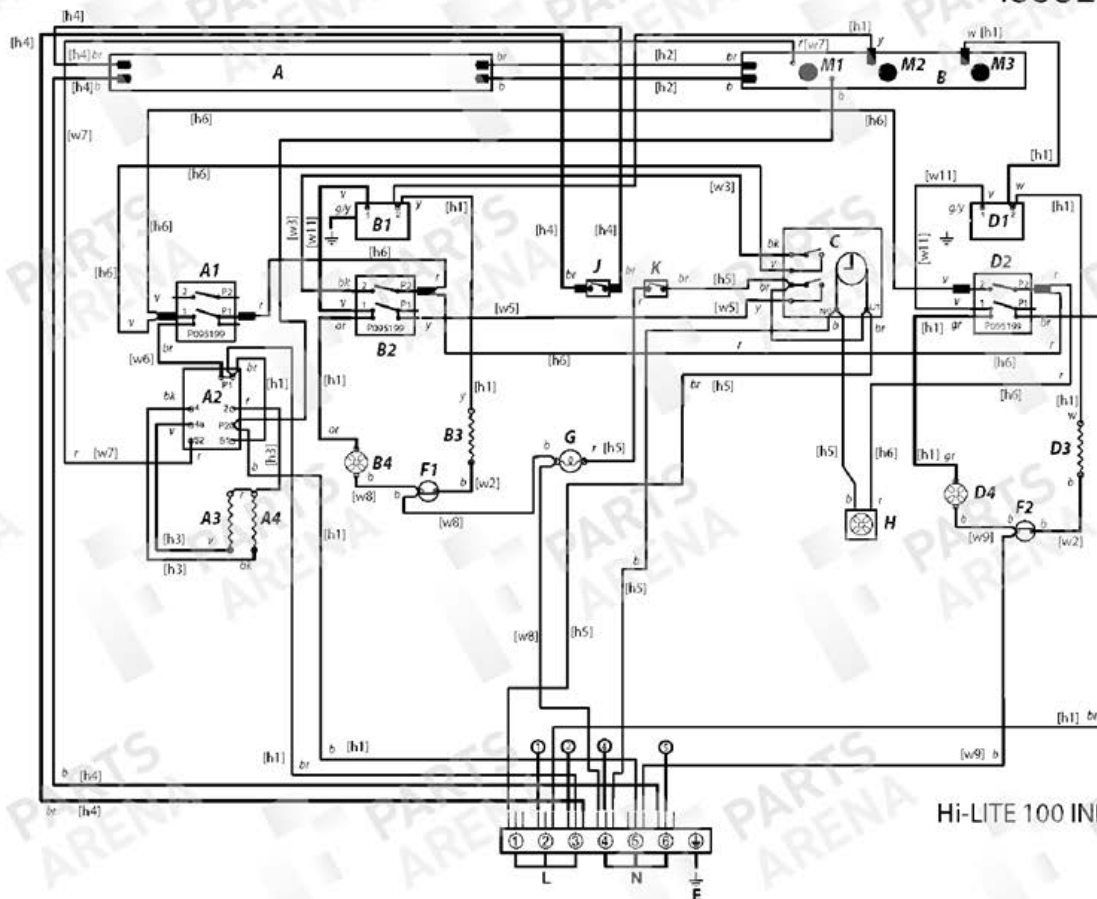
GRILL DOOR

# HI-LITE 100 INDUCTION

# DSL0557 P11

DATE 31.01.14 ISSUE 01





Hi-LITE 100 INDUCTION

Ref Number	Part Number	Colour	Qty	Remarks
w1	P055374	g/v	2	Wire - (N) Earth Links Grill Elements
w2	P040066	b	2	Wire - Thermal Cut Out Link
w3	P038186	bk	1	Wire - Clock to LH Oven Switch
w4	P094943	g/v	2	Wire - (N) Earth Links Thermostats
w5	P037438	v	1	Wire - Clock to LH Oven Switch
w6	P055344	br	1	Wire - Grill Energy Reg to Front Switch Link
h1	P060875	w/gt/or/bk/y/b	1	Harness - LH and RH Oven Harness
h2	P060872	br/b	1	Harness - Hi-Lite Illumination Link Harness Board A to B
w7	P094951	r	1	Wire - Grill Energy Regulator to HI-LITE Board B
w8	P050986	b	1	Wire - Neutral Link LH Oven
w9	P027733	b	1	Wire - Neutral Link RH Oven
w10	P045284	g/v	1	Wire - (N) Earth Links Oven Backs
h3	P033958	v/bk/r	1	Harness - Grill Harness
w11	P033086	v	2	Wire - Thermostats to Front Switches
h4	P061931	br/b	1	Harness - Hi-Lite Illumination Harness
h5	P061627	br/b/r	1	Harness - Clock/Oven Lights/Cooling Fan Harness
h6	P061628	v/r	1	Harness - Cooling Fan Front Switch Harness
h7	P043939	br	1	Harness - 4 Wire LIN Cable Rotary Switch to Interface Board
h8	P040924	br	2	Harness - 4 Wire LIN Cable Rotary Switch to Interface Board
h9	P043937	br	1	Harness - 4 Wire LIN Cable Rotary Switch to Interface Board
h10	P043936	br	1	Harness - 4 Wire LIN Cable Rotary Switch to Interface Board
h11	P051766	br	1	Harness - 8 Wire LIN Cable Induction Unit to Interface Board
h12	P051839	br/b/g/v	1	Harness - Induction Unit to Conenctor Block
h13	P052814	br/b	1	Harness - Induction Connector Block to Terminal Block
w12	P052073	g/v	1	Wire - (N) Induction hob Earth

Code	Description
A	Illumination Board - LHS
A1	Grill Front Switch
A2	Grill Energy Regulator
A3	Grill Elements - LH
A4	Grill Elements - RH
B	Illumination board - RHS
B1	Left-Hand Oven Thermostat
B2	Left-Hand Front Switch
B3	Left Hand Oven Element
B4	Left Hand Oven Fan
F1	Left hand Oven Thermal CutOut
C	Clock

Code	Description
D1	Right - Hand Oven Thermostat
D2	Right - Hand Oven Front Switch
D3	Right- Hand Oven Element
D4	Right - Hand Oven Fan
F2	Right - Hand Oven Thermal CutOut
G	Oven Light
H	Cooling Fan
I	Ignition Switch
J	Illumination Switch
K	Oven Light Switch
M1	Grill Heat Indicator
M2	Left - Hand Oven Heat Indicator
M3	Right- Hand Oven Heat Indicator

Code	Colour
b	Blue
br	Brown
bk	Black
or	Orange
r	Red
v	Violet
w	White
y	Yellow
g/y	Green/Yellow
gr	Grey