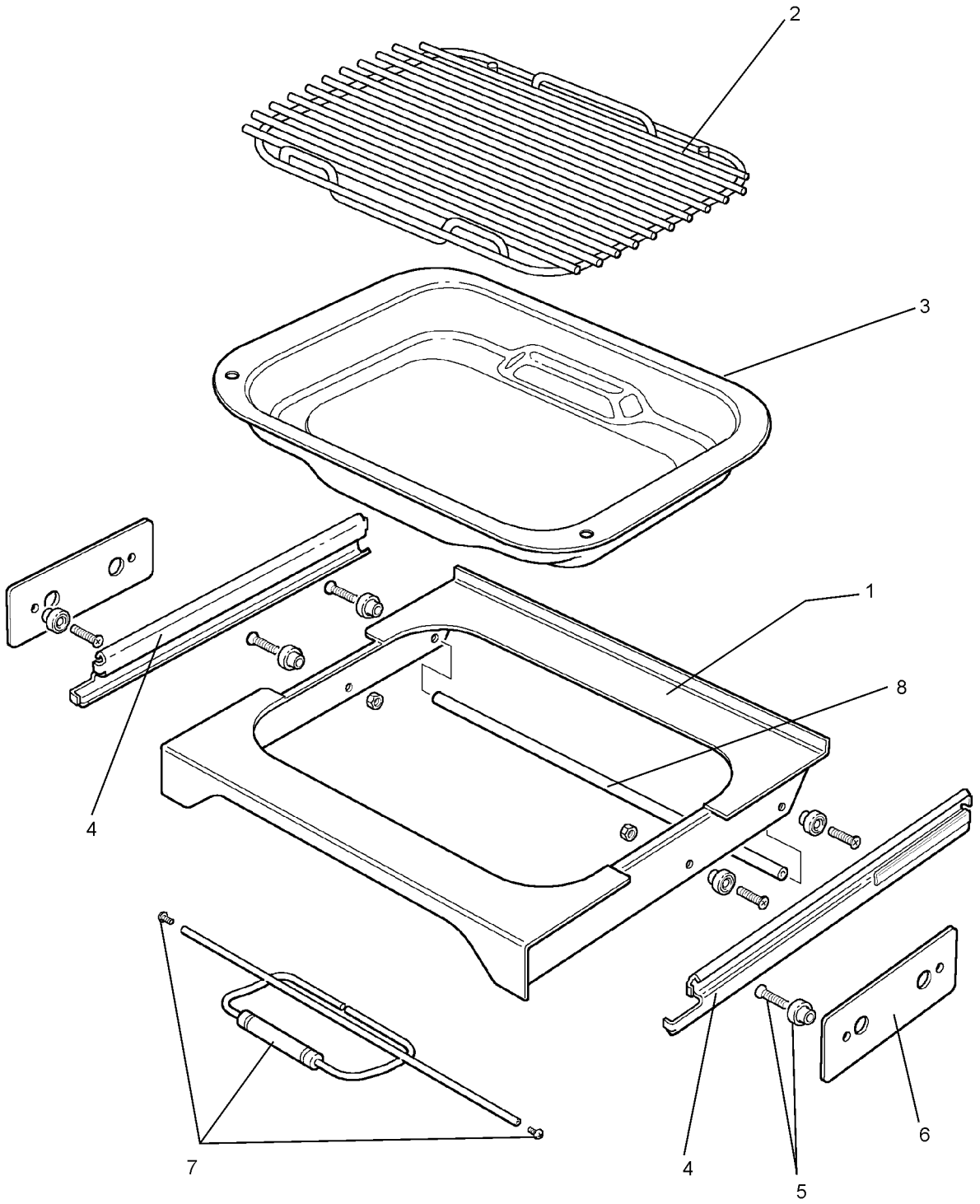


FROM SER No8000 : 7914,7915,7916,
7917,7918,7919,7920,7921,7922,7923,
7924,7925 & UPTO SER No10999
FROM START : 8240-8241 UPTO SER
No 10999

DSL0 322 P03

DATE 31.03.08

ISSUE STATUS 03

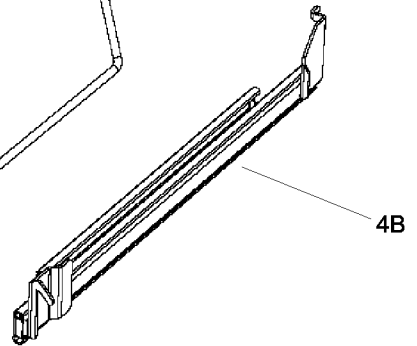
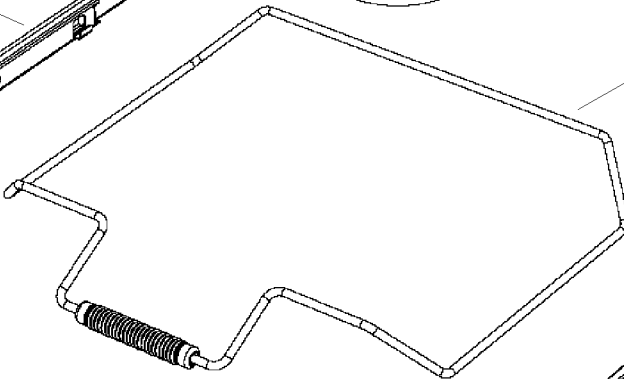
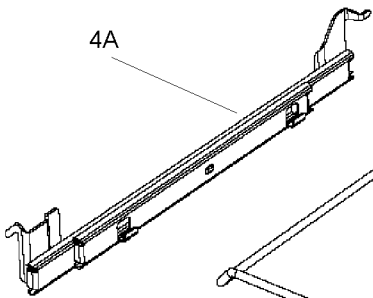
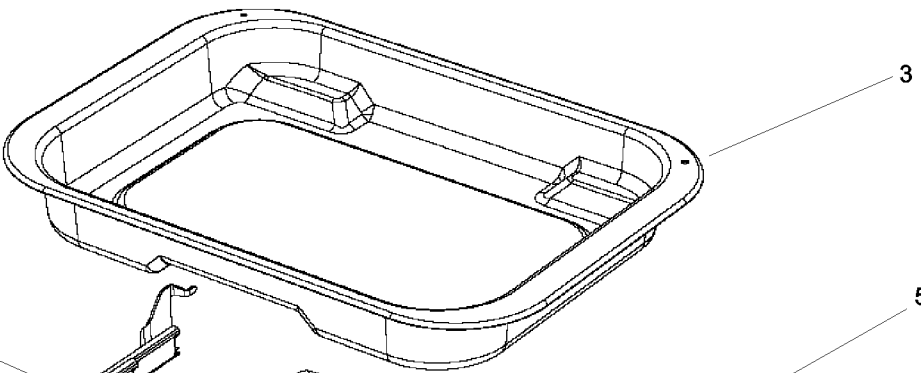
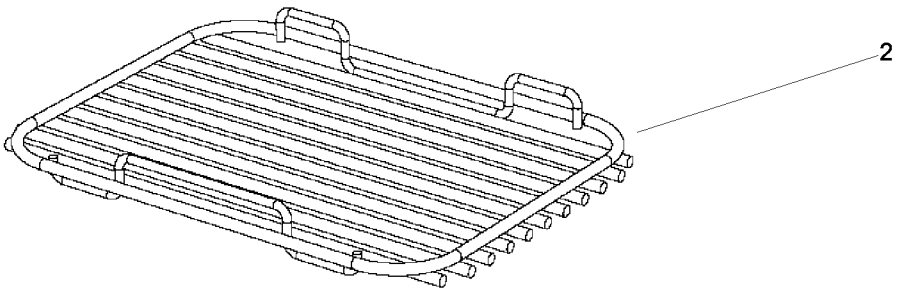


SIGR05.BMP

FROM SER No8000 : 7914,7915,7916, 7917,
7918,7919,7920,7921,7922,7923, 7924,7925
UPTO SER No10999
FROM START : 8240, 8241 UPTO SER
No10999

DSL322 P03A

DATE 27.03.08 ISSUE STATUS 02

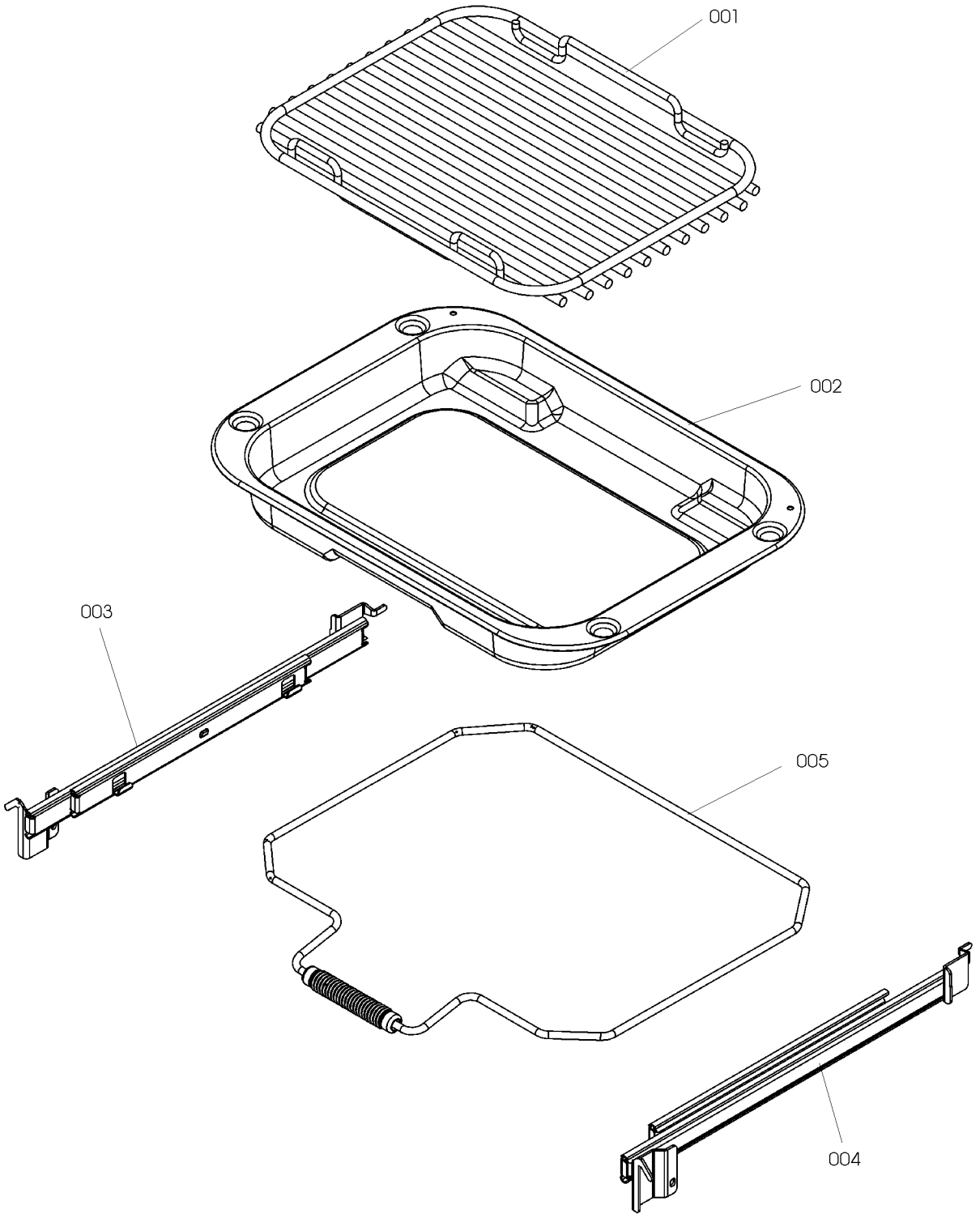


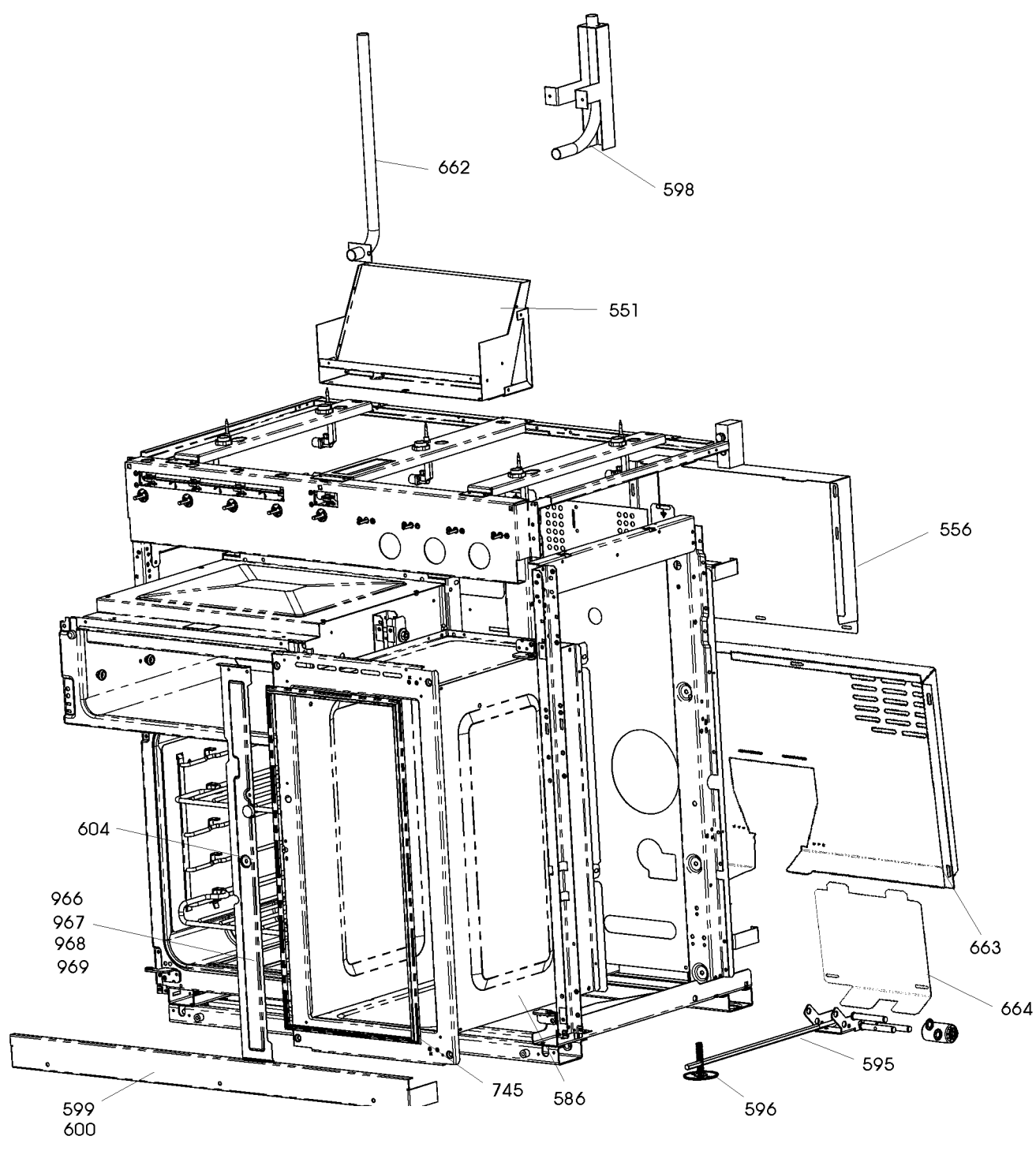
FROM SER No11000 -
7914,7915,7916,7917,7918,7919,7920,
7921,7922,7923,7924,7925,8240,8241,
8709,8710,8726,8727

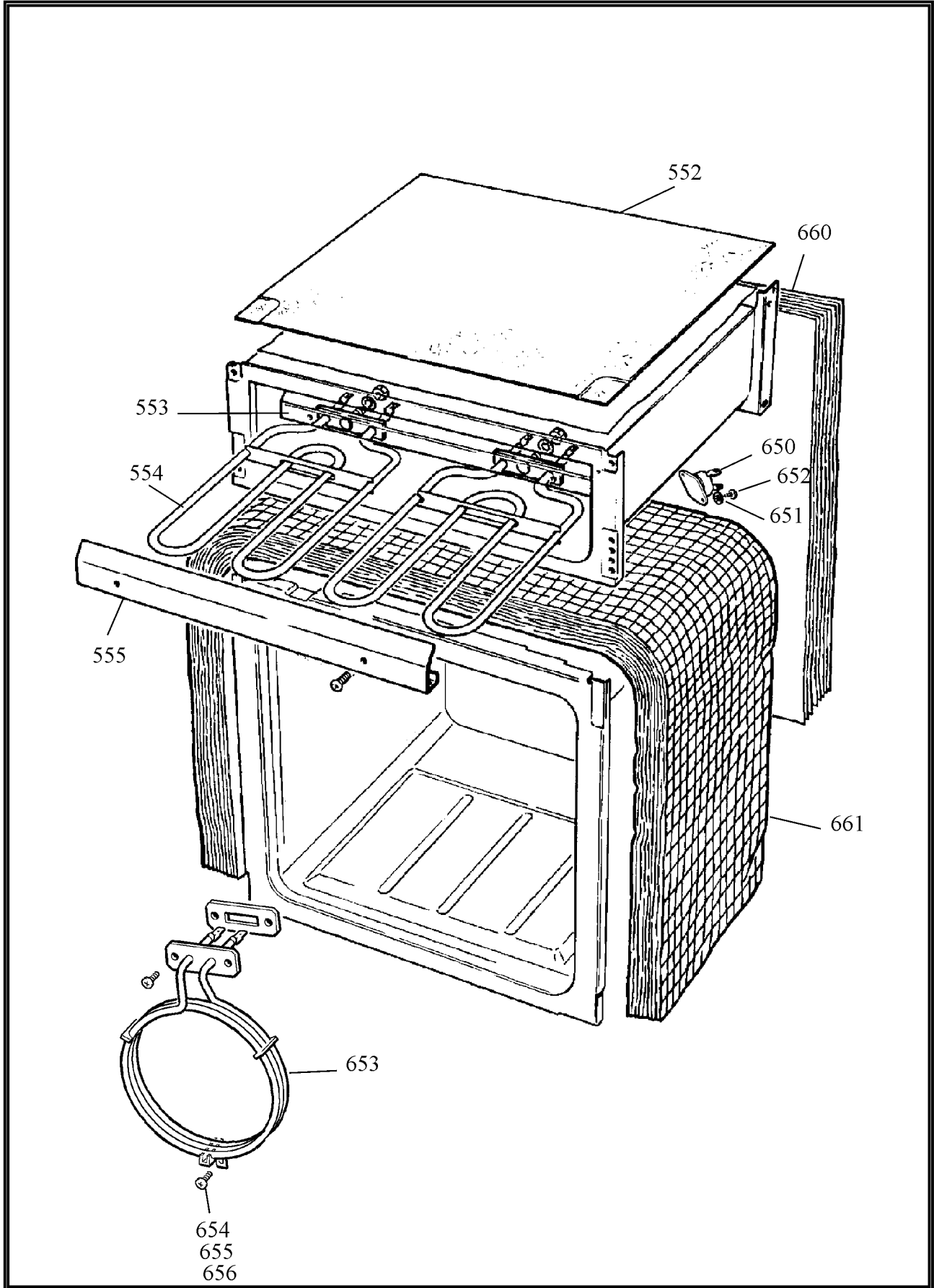
DATE 27.03.08

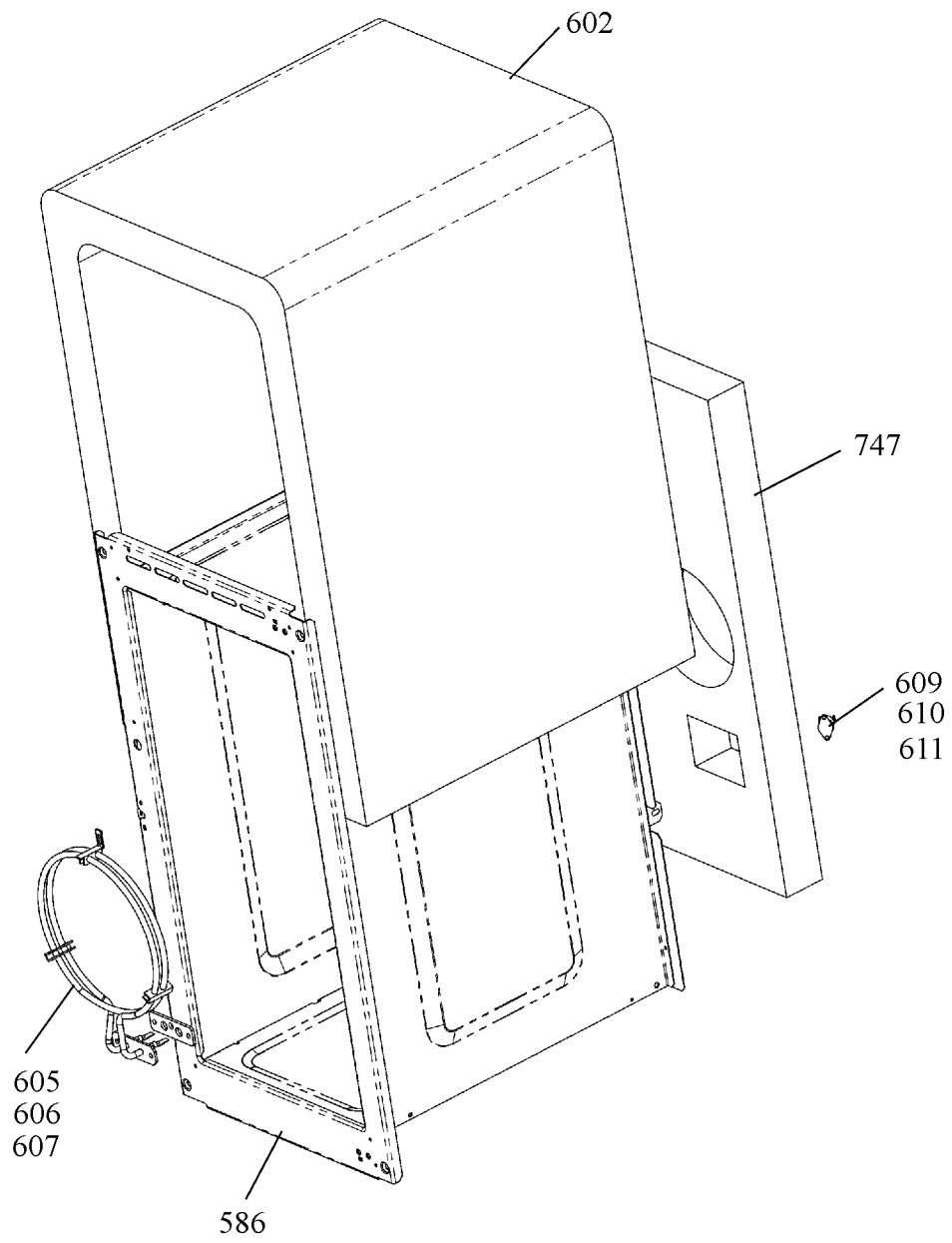
DSL322 P03B

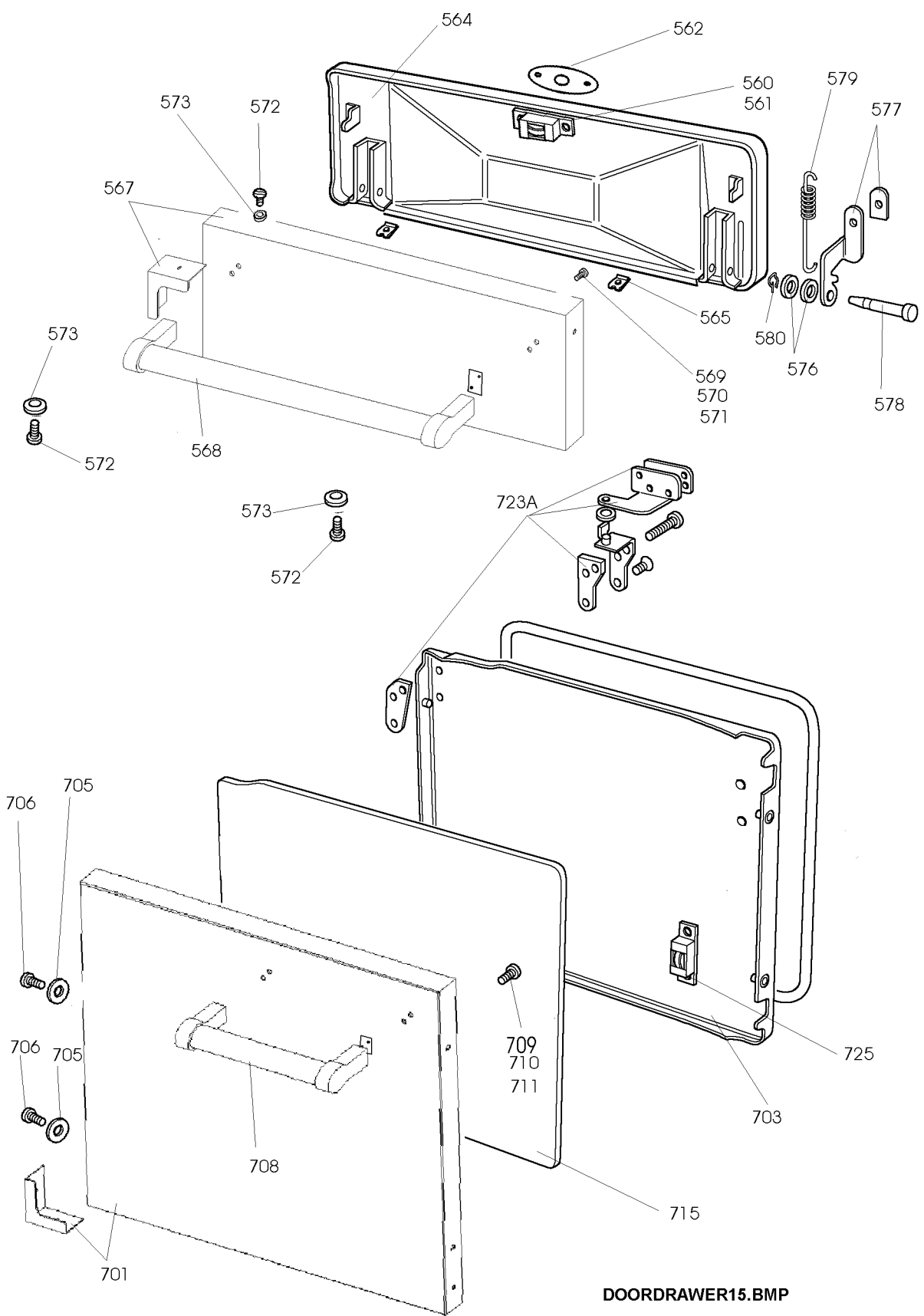
ISSUE STATUS 02



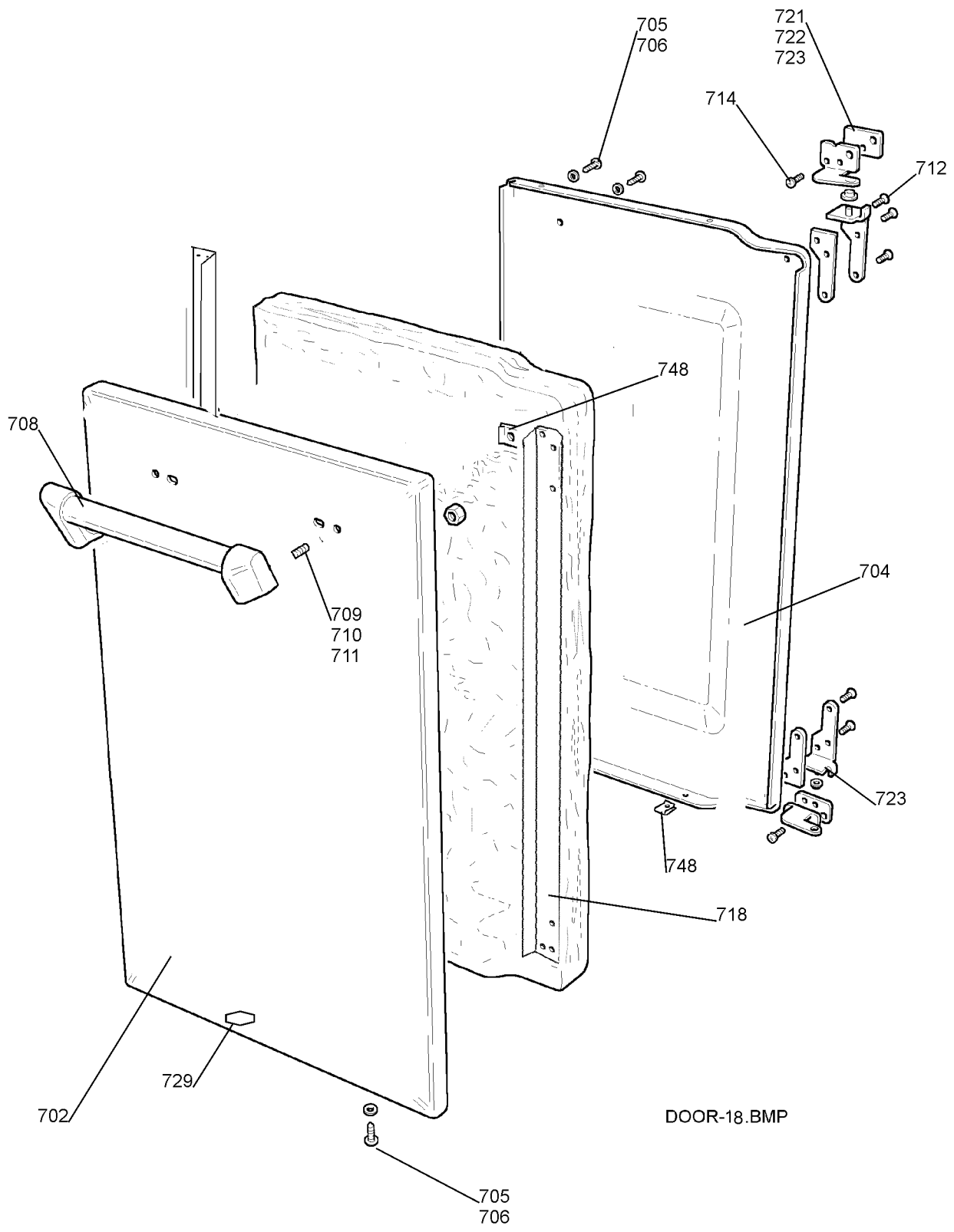








DOORDRAWER15.BMP



DOOR-18.BMP

UP TO SERIAL No 115999

DATE 12.11.09

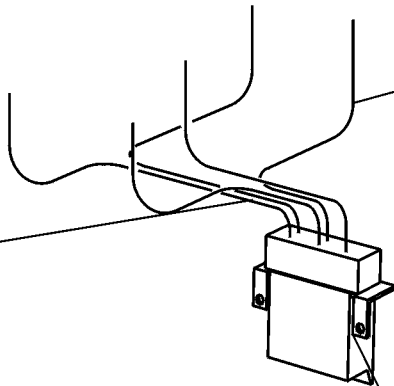
ISSUE STATUS 02



215



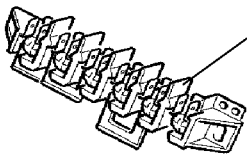
371
372



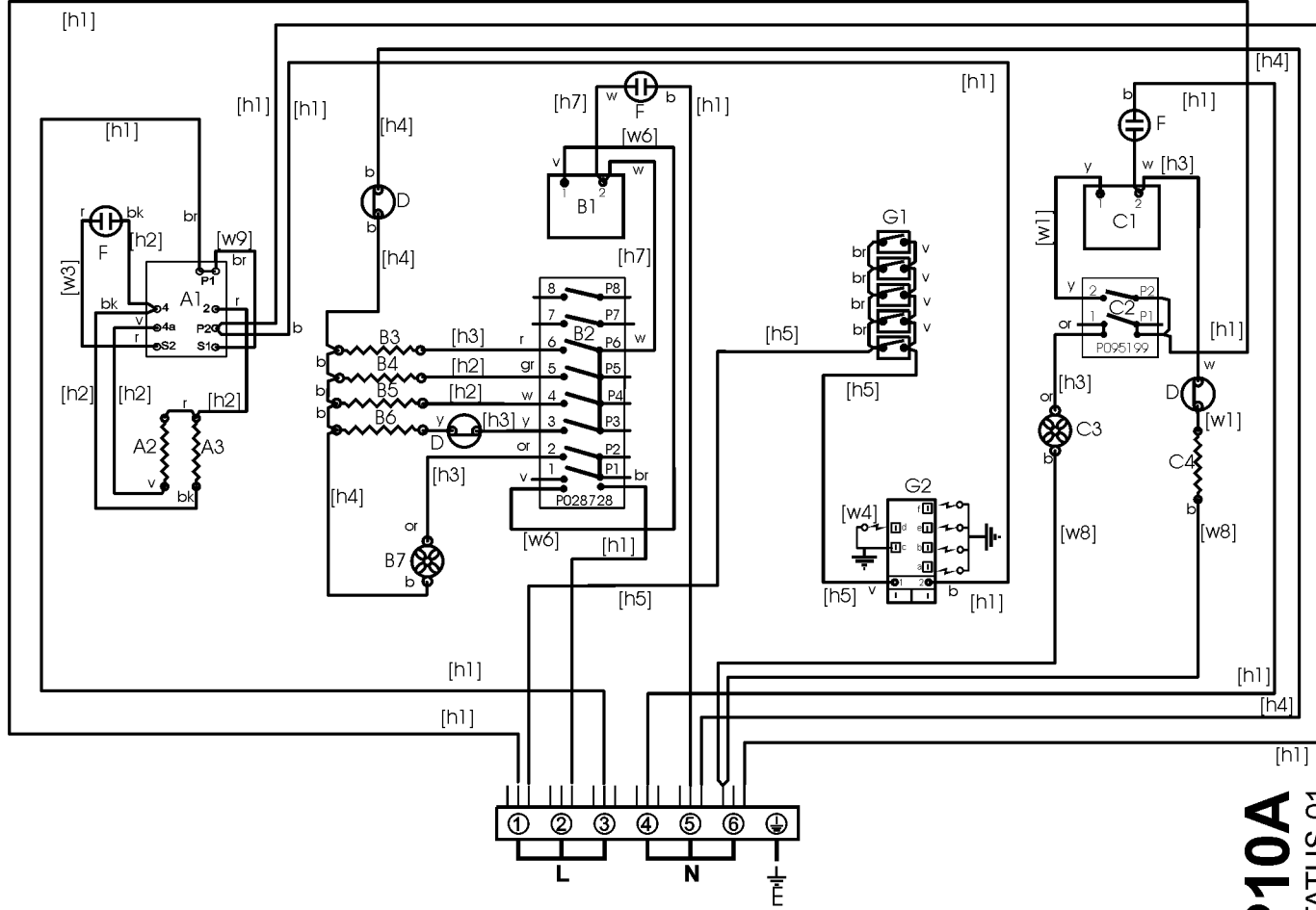
855 ETC

FOR ALL WIRE DETAILS
SEE WIRE LISTING
855 ONWARDS

851



852
853



| Ref Number | Part number | Quantity | Remarks |
|------------|-------------|----------|---|
| w1 | P037863 | 3 | Wire - Yellow Link Wires |
| w2 | P094943 | 3 | Wire (NI) - Upper Element Earths |
| w3 | P094951 | 1 | Wire - Grill Neon Feed |
| w4 | P049241 | 1 | Wire - Spark Generator Earth |
| w5 | P055374 | 2 | Wire (NI) - Grill Earth |
| w6 | P033086 | 1 | Wire - WIRE ASSEMBLY T'STAT LINK |
| w7 | P027672 | 2 | Wire (NI) - Lower Element Earth |
| h1 | P049421 | 1 | Harness Asse mblly -WIRING HARNESS |
| h2 | P033874 | 1 | Harness Asse mblly - WIRE HARNESS GRILL & TOP OVEN ELEM,T |
| h3 | P033875 | 1 | Harness Asse mblly - WIRE HARNESS LOWER ELEMENTS |
| h4 | P033876 | 1 | Harness Asse mblly - WIRE HARNESS M-F OVEN NEUTRALS |
| w8 | P027733 | 1 | Wire - RH Oven Fan /Neutral to element |
| w9 | P055344 | 1 | Wire - Grill Regulator to Switch |
| h5 | P049254 | 1 | Harness Asse mblly - WIRING HARNESS IGNITION |
| h6 | P049328 | 1 | Harness Asse mblly (NI) - HT HARNESS |
| h7 | P095565 | 1 | Harness Asse mblly - WIRE ASSEMBLY |

NI Not Illustrated

w - Single Cable / Single Cable with multiple terminations

h - Harness Assembly (Including Single Wires that are Sheathed)

| Code | Description |
|------|---------------------------------|
| A1 | Grill energy regulator |
| A2 | Grill element left hand side |
| A3 | Grill element right hand side |
| B1 | Left hand oven thermostat |
| B2 | Left hand oven switch |
| B3 | Left hand oven base element |
| B4 | Left hand oven top element |
| B5 | Left hand oven browning element |
| B6 | Left hand oven fan element |
| B7 | Left hand oven fan |

| Code | Description |
|------|----------------------------|
| C1 | Right hand oven thermostat |
| C2 | Right hand oven switch |
| C3 | Right hand oven element |
| C4 | Right hand oven fan |
| D | Thermal cutout |
| F | Neon |
| G1 | Ignition switches |
| G2 | Ignition generator |

| Code | Colour |
|------|--------|
| b | Blue |
| br | Brown |
| bk | Black |
| or | Orange |
| r | red |
| v | violet |
| w | White |
| y | yellow |
| gr | Grey |

DSL322 P10A

DATE 12.11.09 ISSUE STATUS 01

FALCON 90 DL DF

FROM SERIAL No 116000

