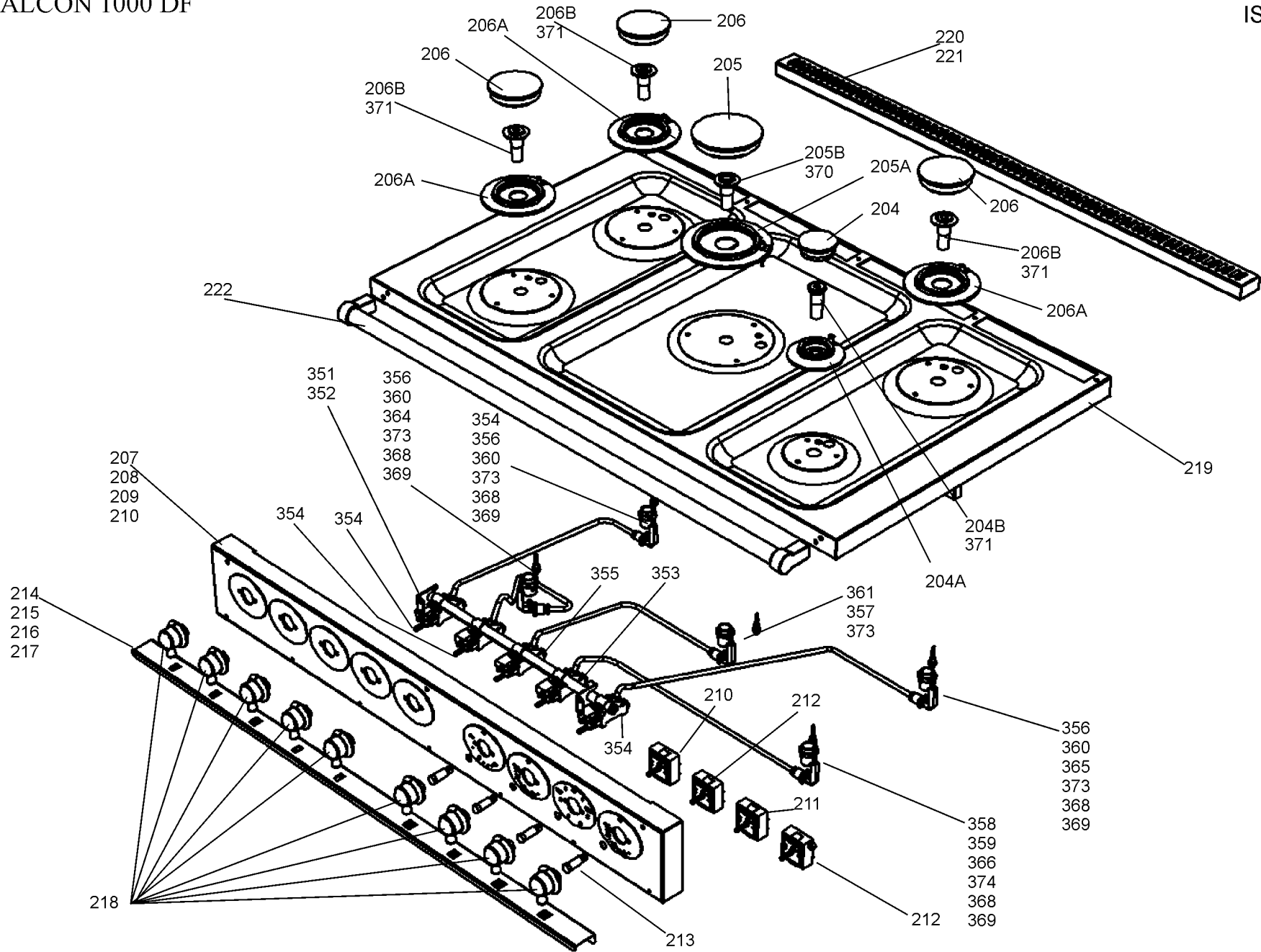


APPLIANCE NAME:
FALCON 1000 DF

DATE 29.07.04

DSL0207 P00
ISSUE STATUS 01

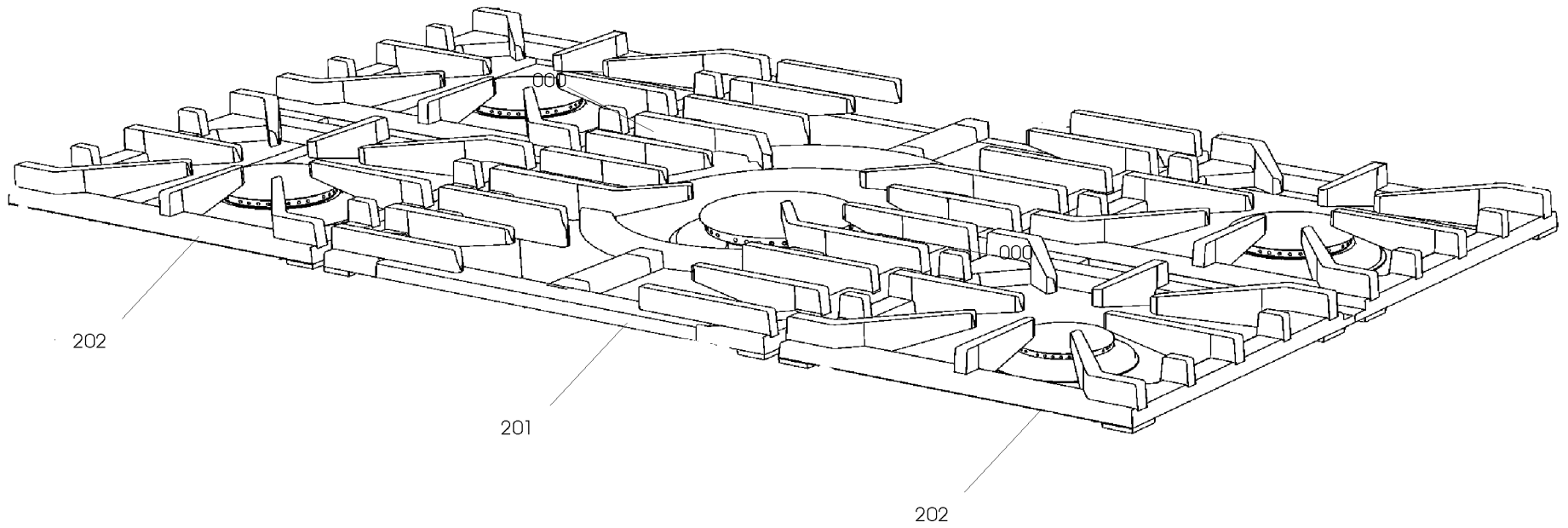




APPLIANCE NAME:
FALCON 1000 DF

DATE 29.07.04

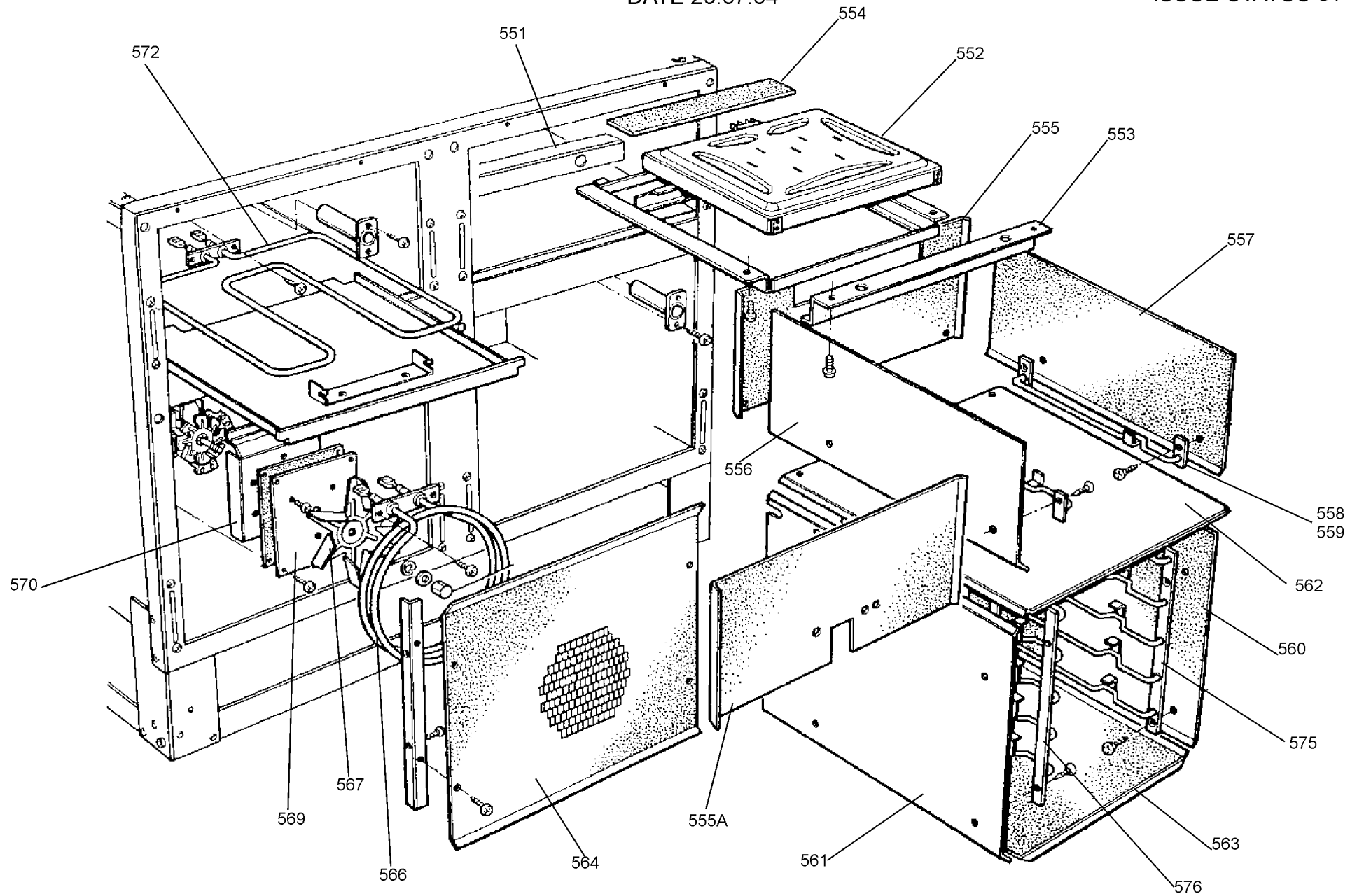
DSL0207 P02
ISSUE STATUS 01



APPLIANCE NAME:
FALCON 1000 DF

DATE 29.07.04

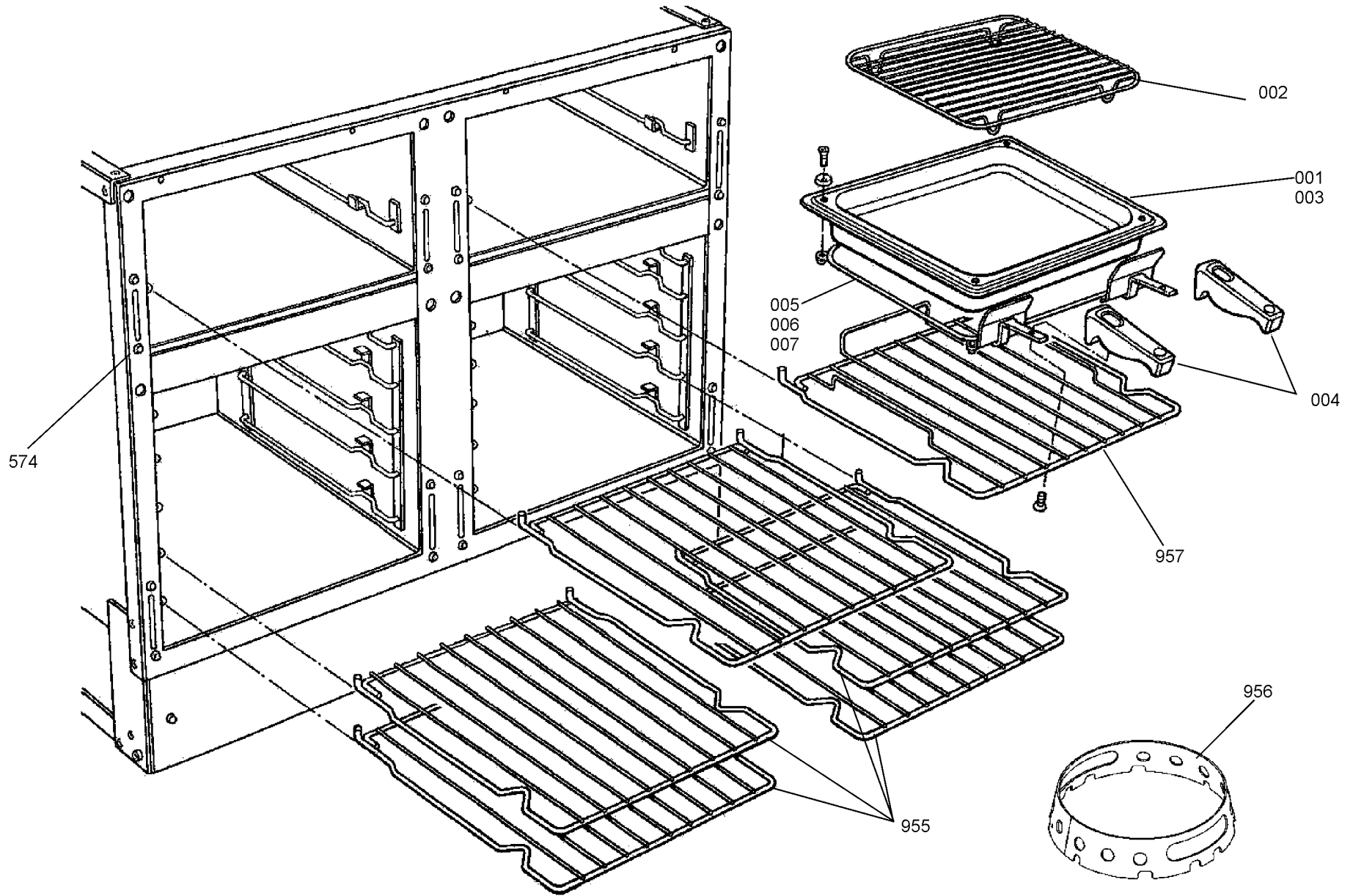
DSL0207 P03
ISSUE STATUS 01



APPLIANCE NAME:
FALCON 1000 DF

DATE 29.07.04

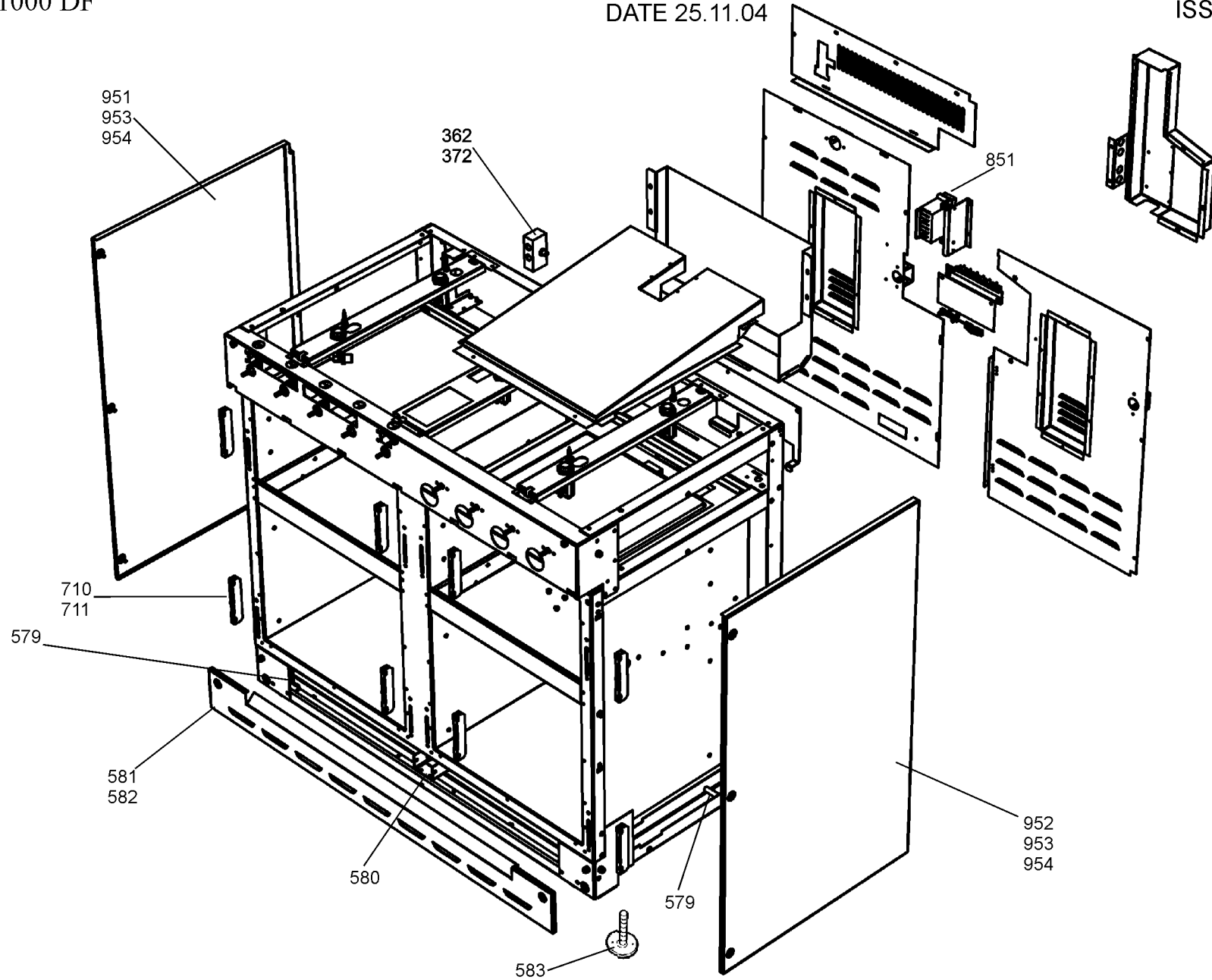
DSL0207 P04
ISSUE STATUS 01

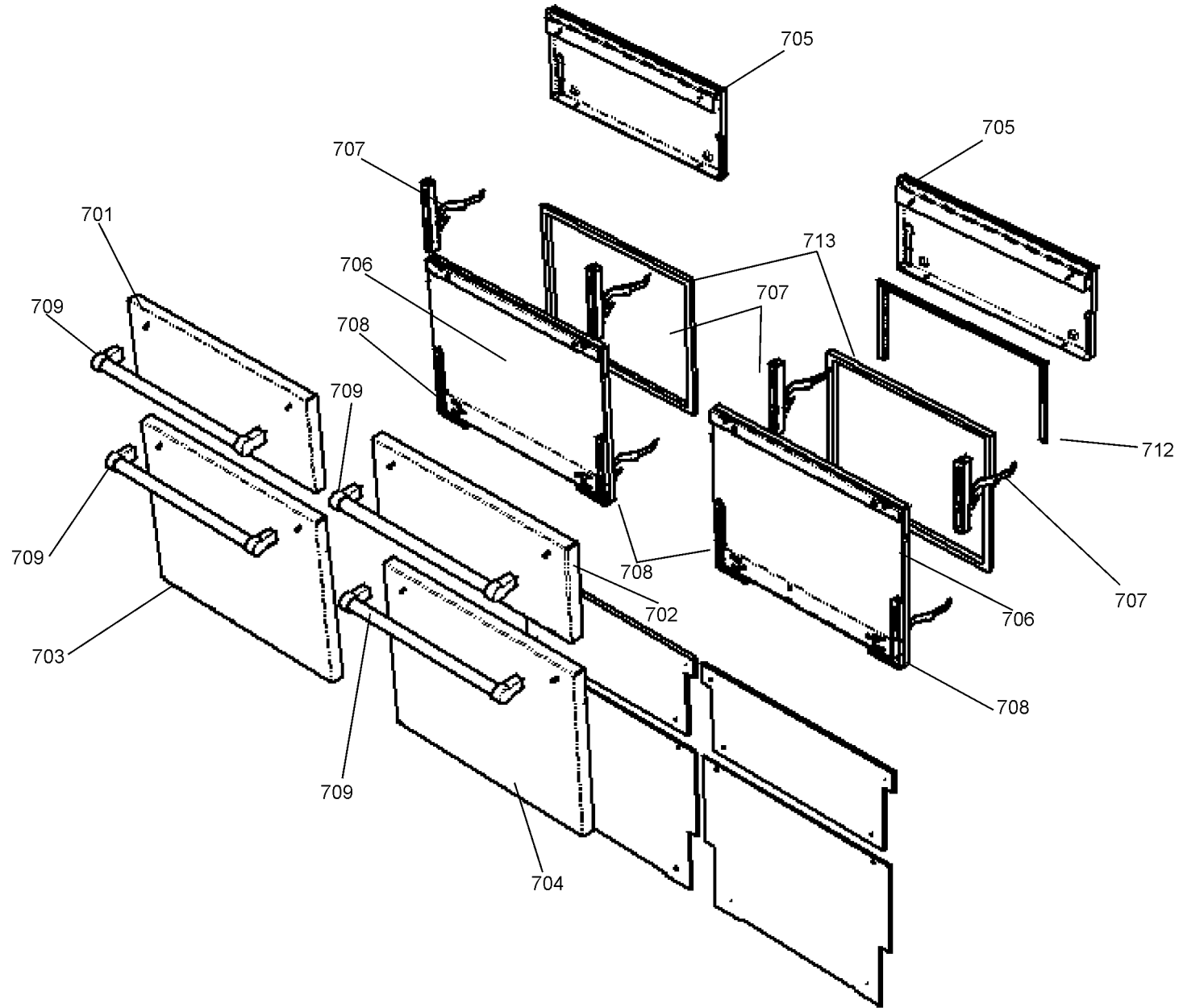


APPLIANCE NAME:
FALCON 1000 DF

DATE 25.11.04

DSL0207 P05
ISSUE STATUS 02





APPLIANCE NAME:
FALCON 1000 DF

DATE 29.07.04

DSL0207 P07
ISSUE STATUS 01

ELECTRICAL
WIRING

