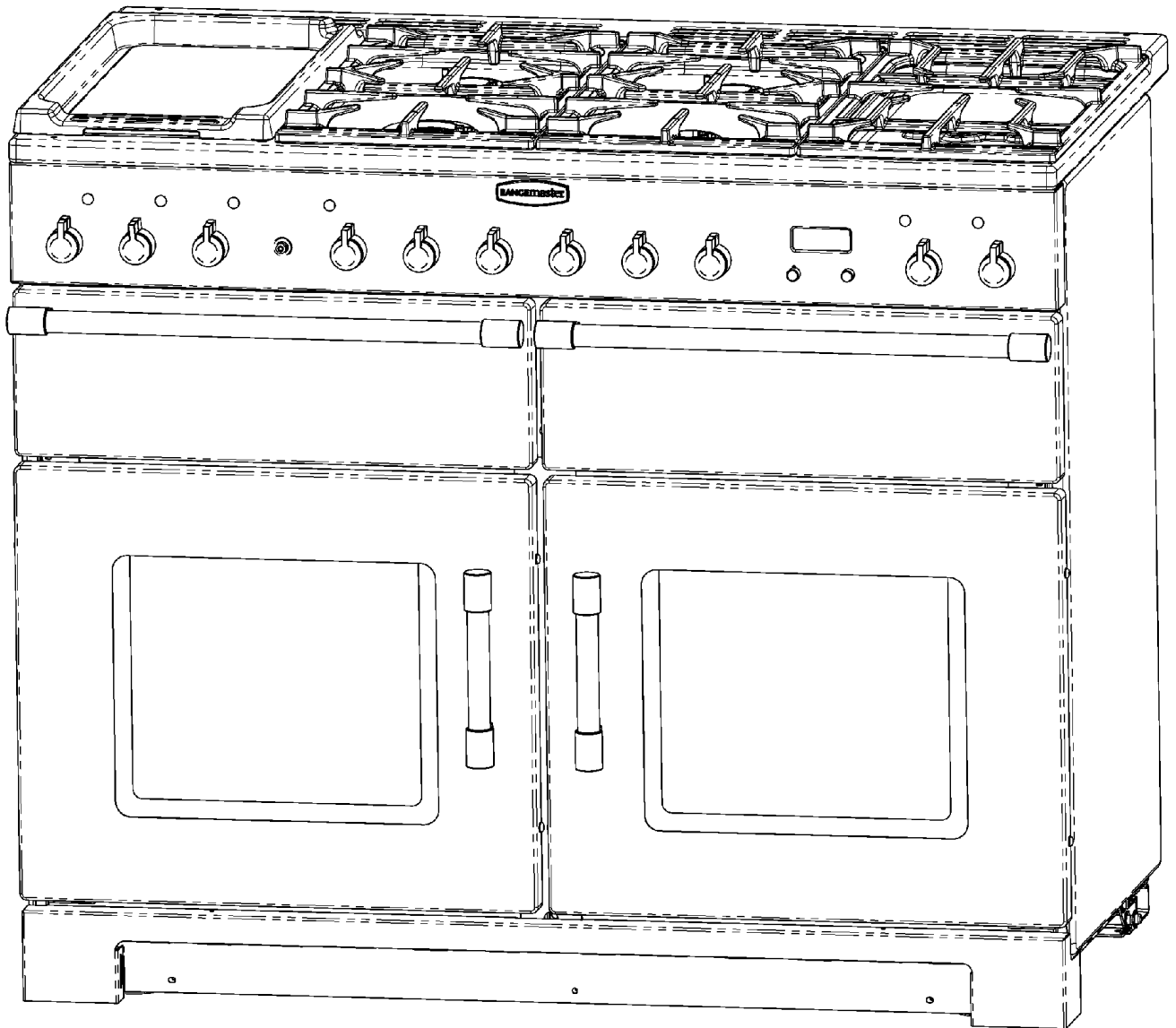
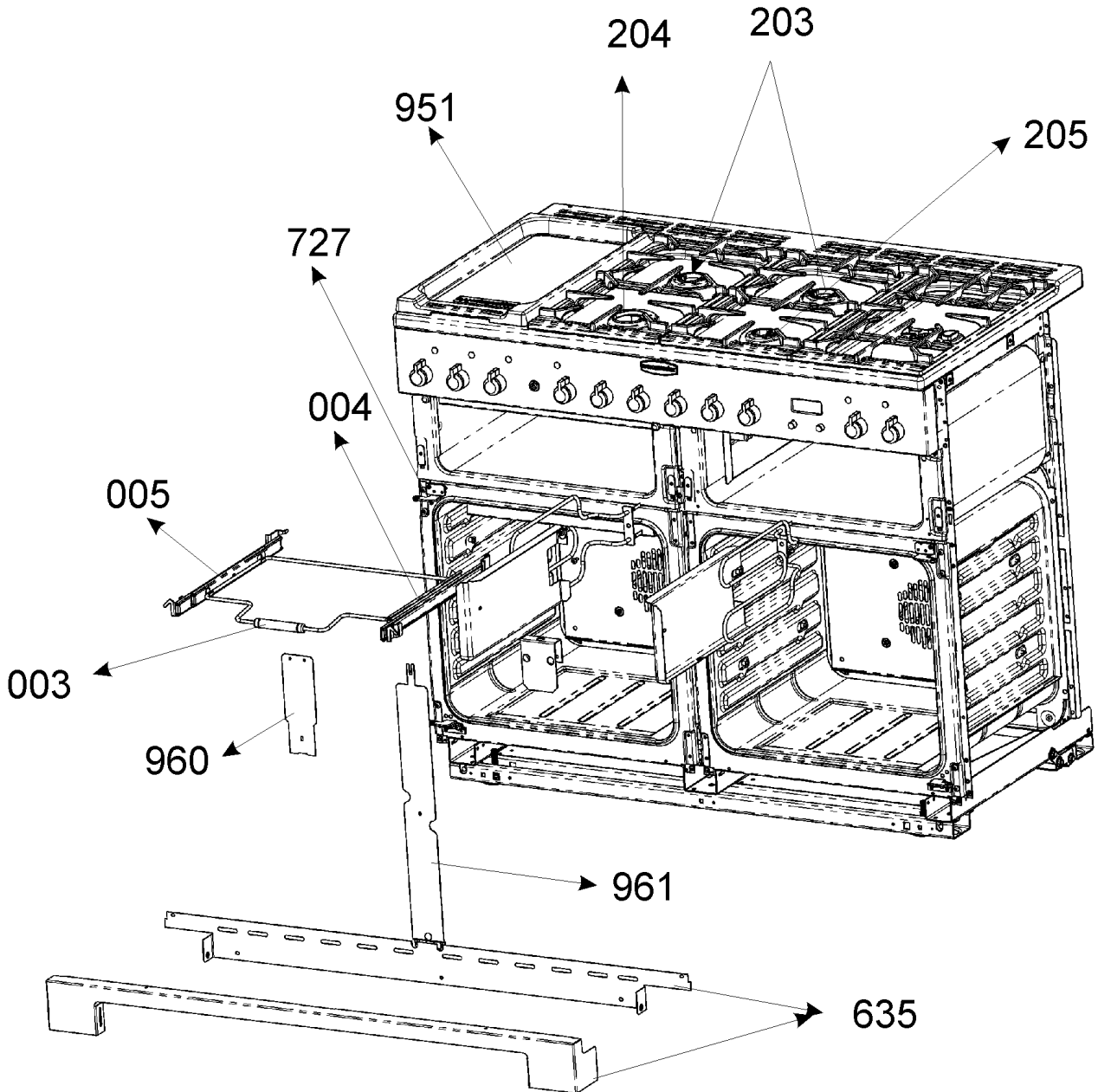
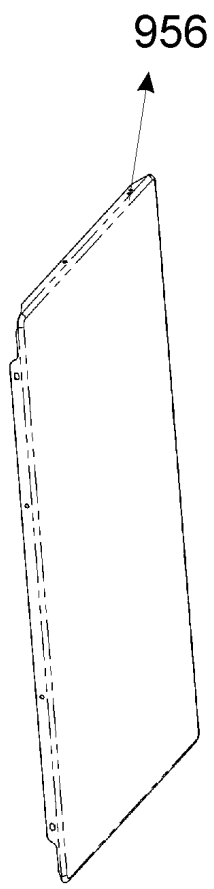


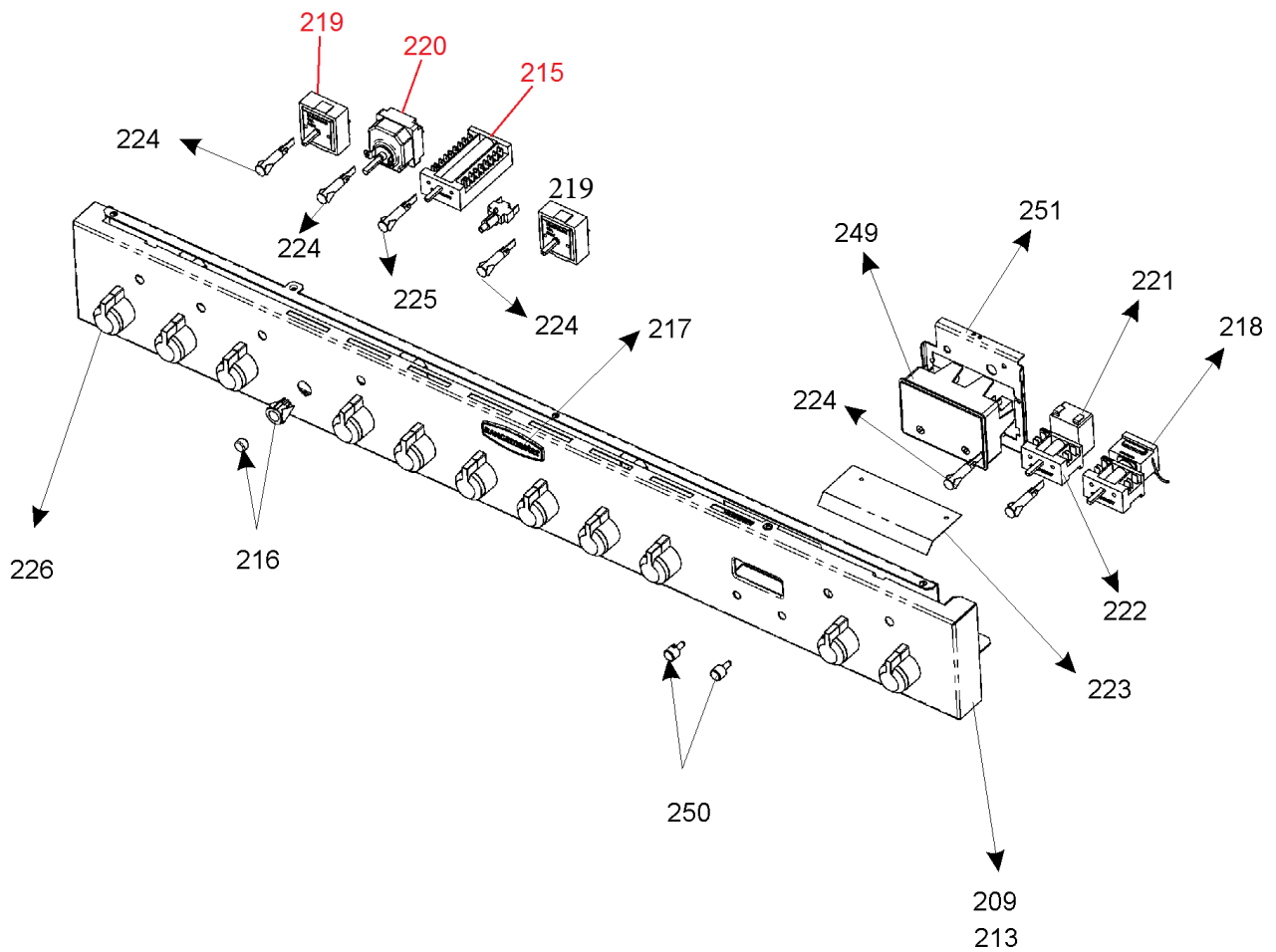
PRODUCT CODE
8055, 8056, 8057

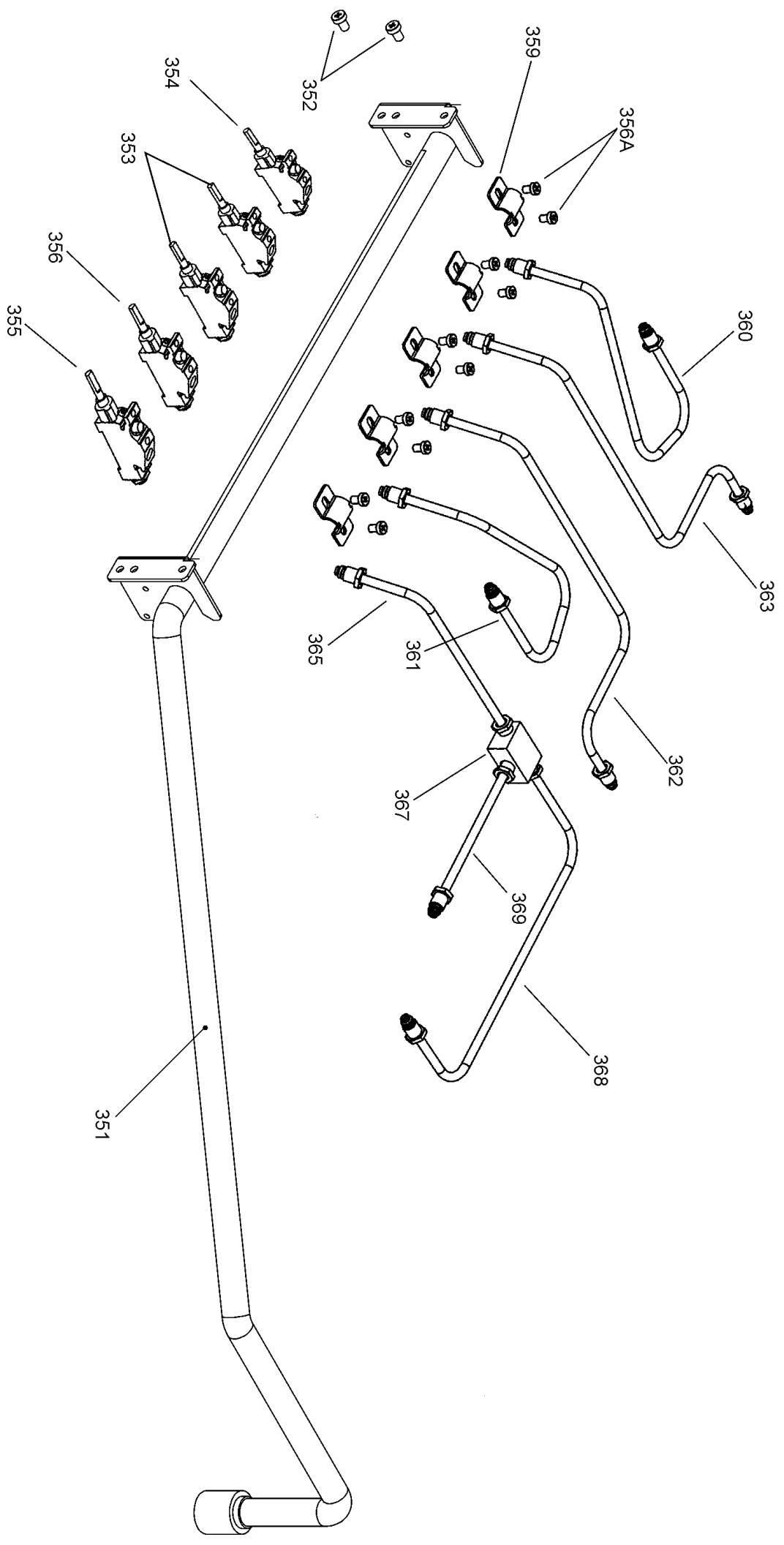
DSL0315
DATE 04.07.06 ISSUE STATUS 01

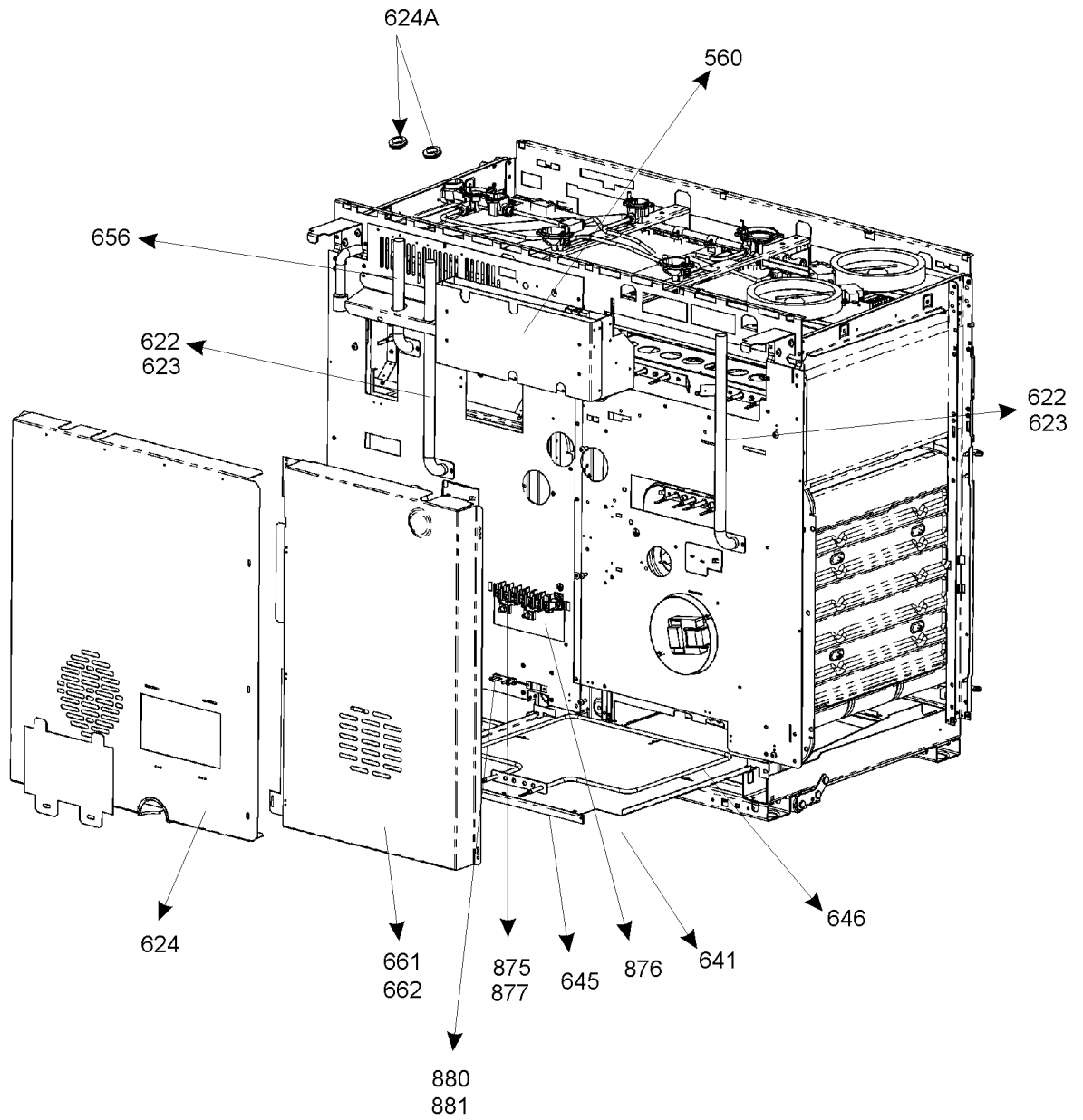






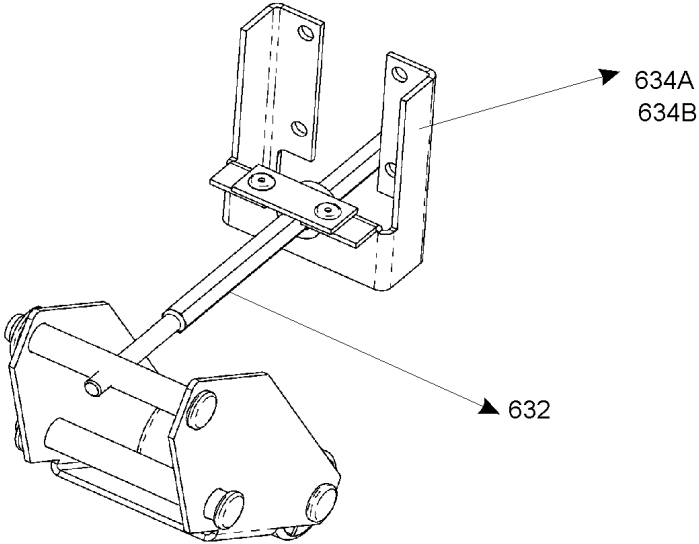






PRODUCT CODE
8055, 8056, 8057

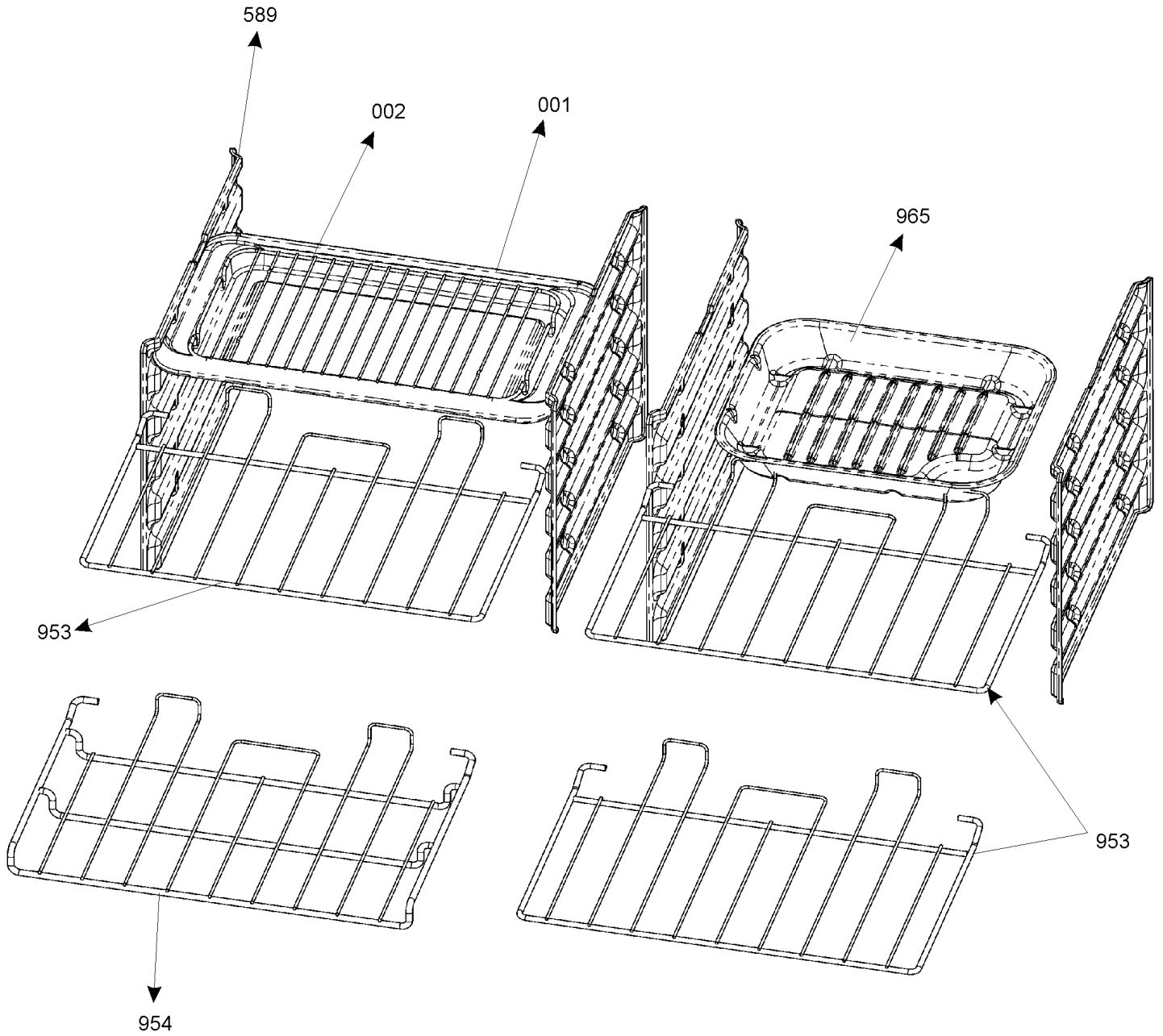
DSL0315 P5A
DATE 04.07.06 ISSUE STATUS 01



APPLIANCE NAME:
FALCON EXCEL 110 DF/NG

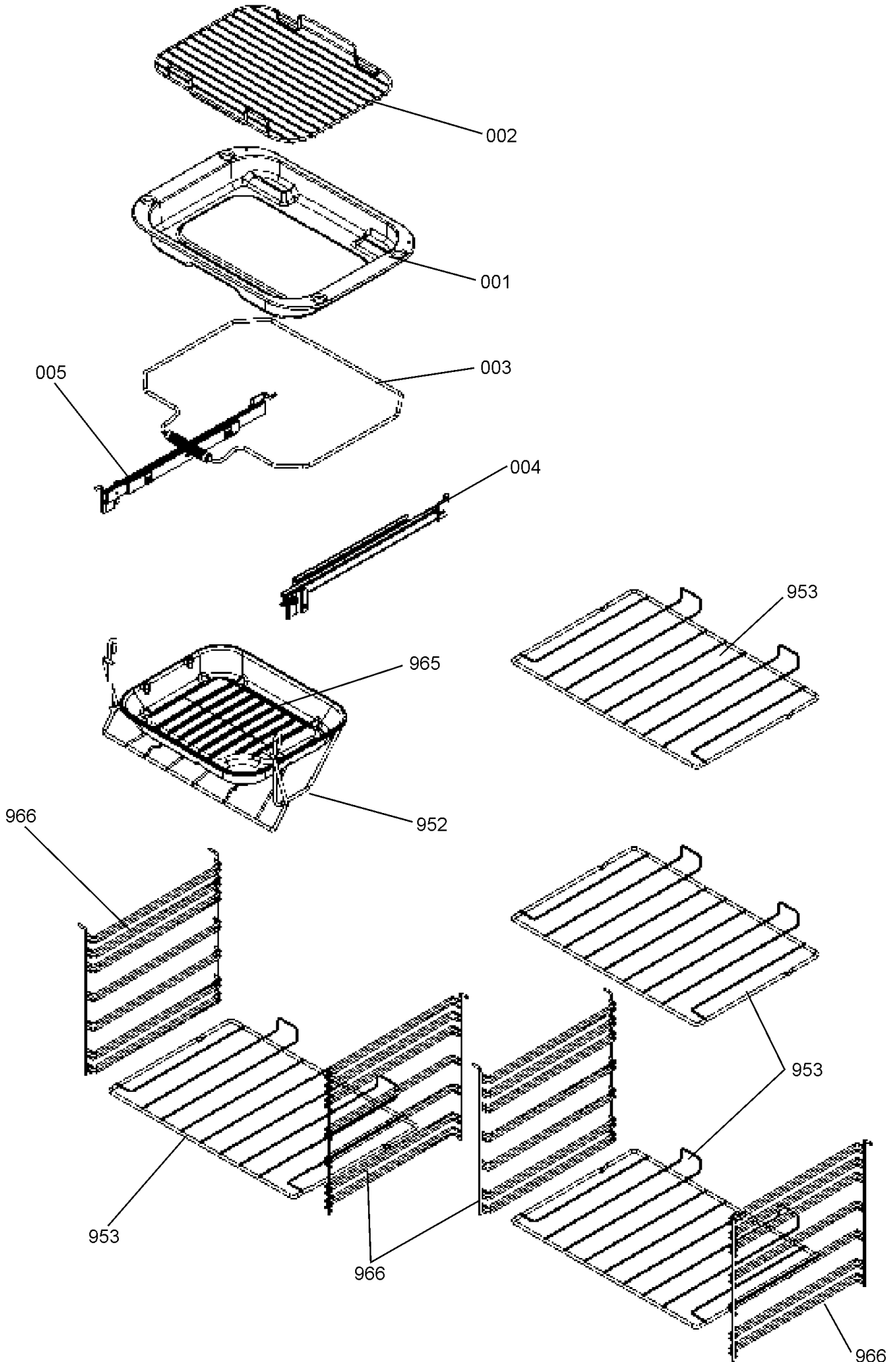
DSL0315 P06
DATE 23.01.15 ISSUE STATUS 03

UP TO SERIAL NUMBER 181999

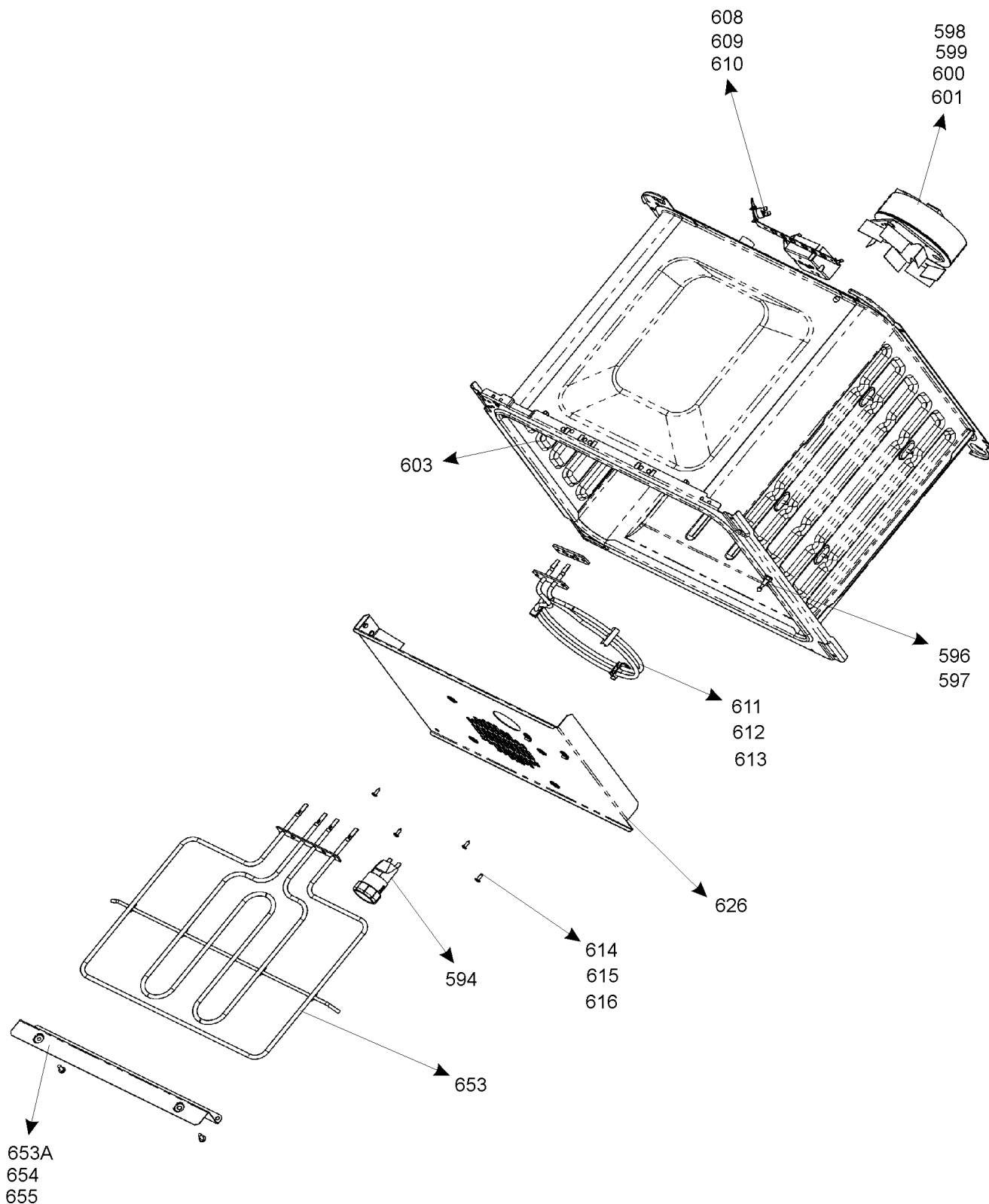


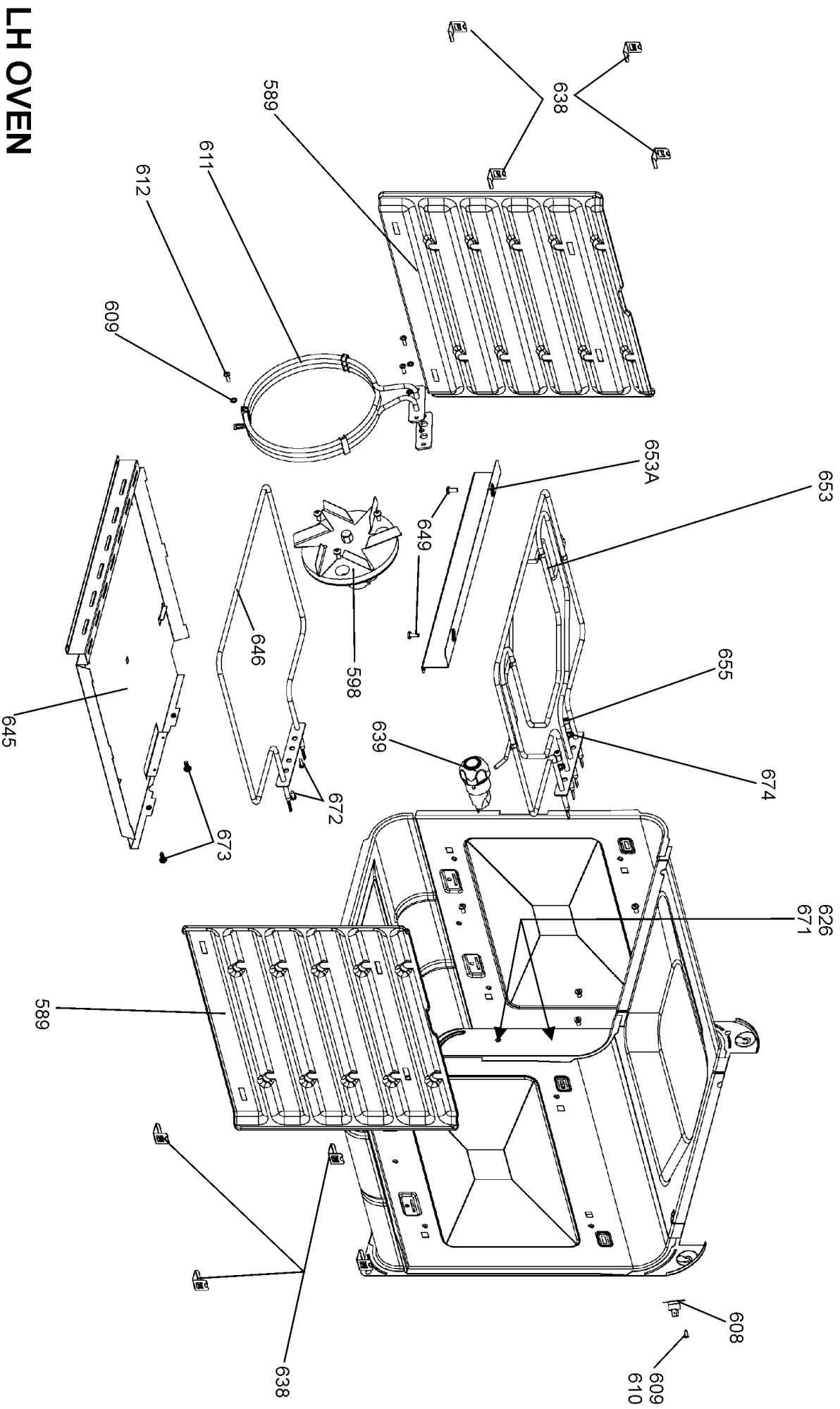
FALCON EXCEL 110 DF

FROM SERIAL NUMBER 182000



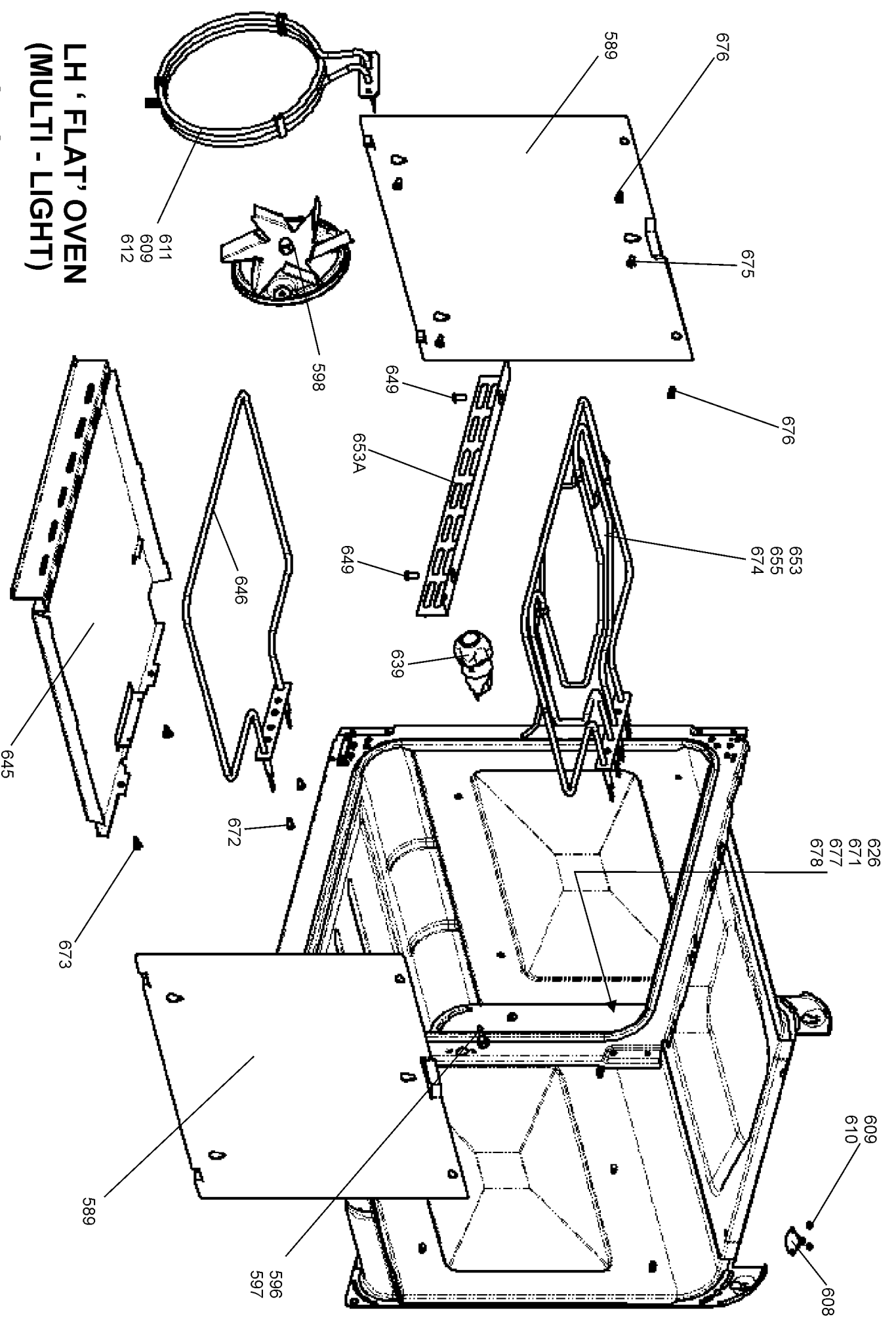
LH OVEN ASSY
UP TO SERIAL NUMBER 166999





**LH OVEN
(MULTI - LIGHT)**

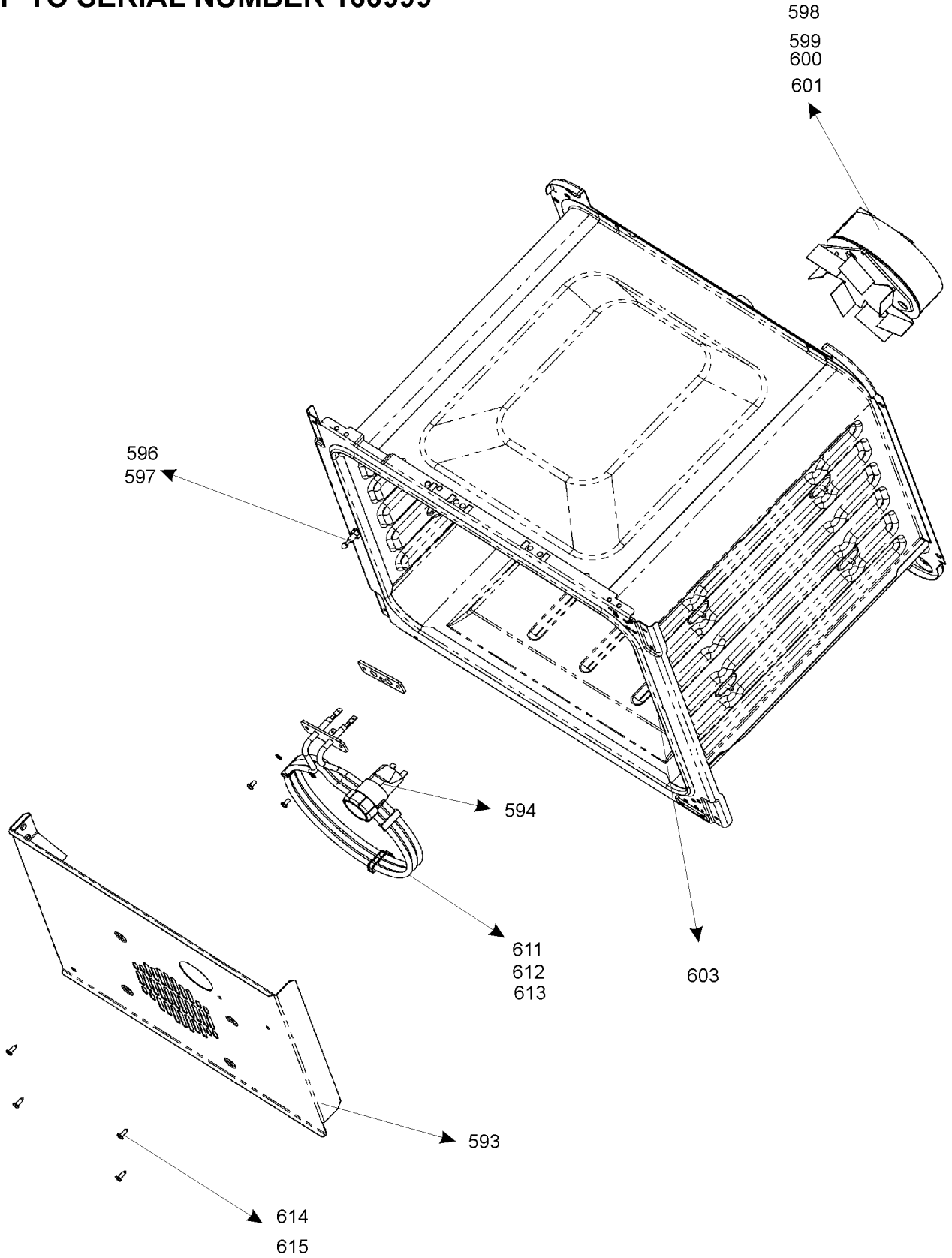
FROM SERIAL NUMBER 167000 UP TO 181999

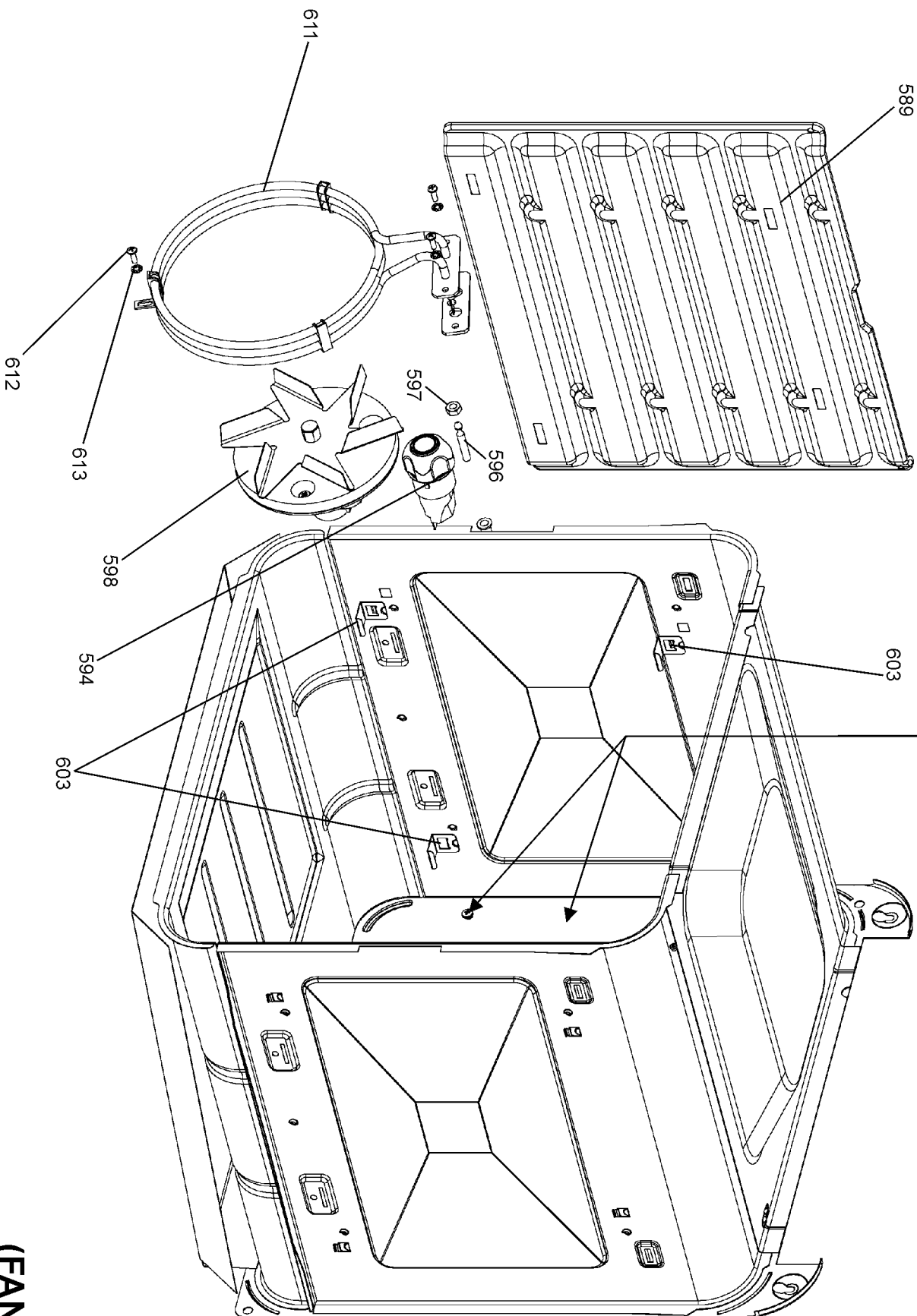


LH 'FLAT' OVEN
(MULTI - LIGHT)

FROM SERIAL NUMBER 182000

RH OVEN ASSY
UP TO SERIAL NUMBER 166999





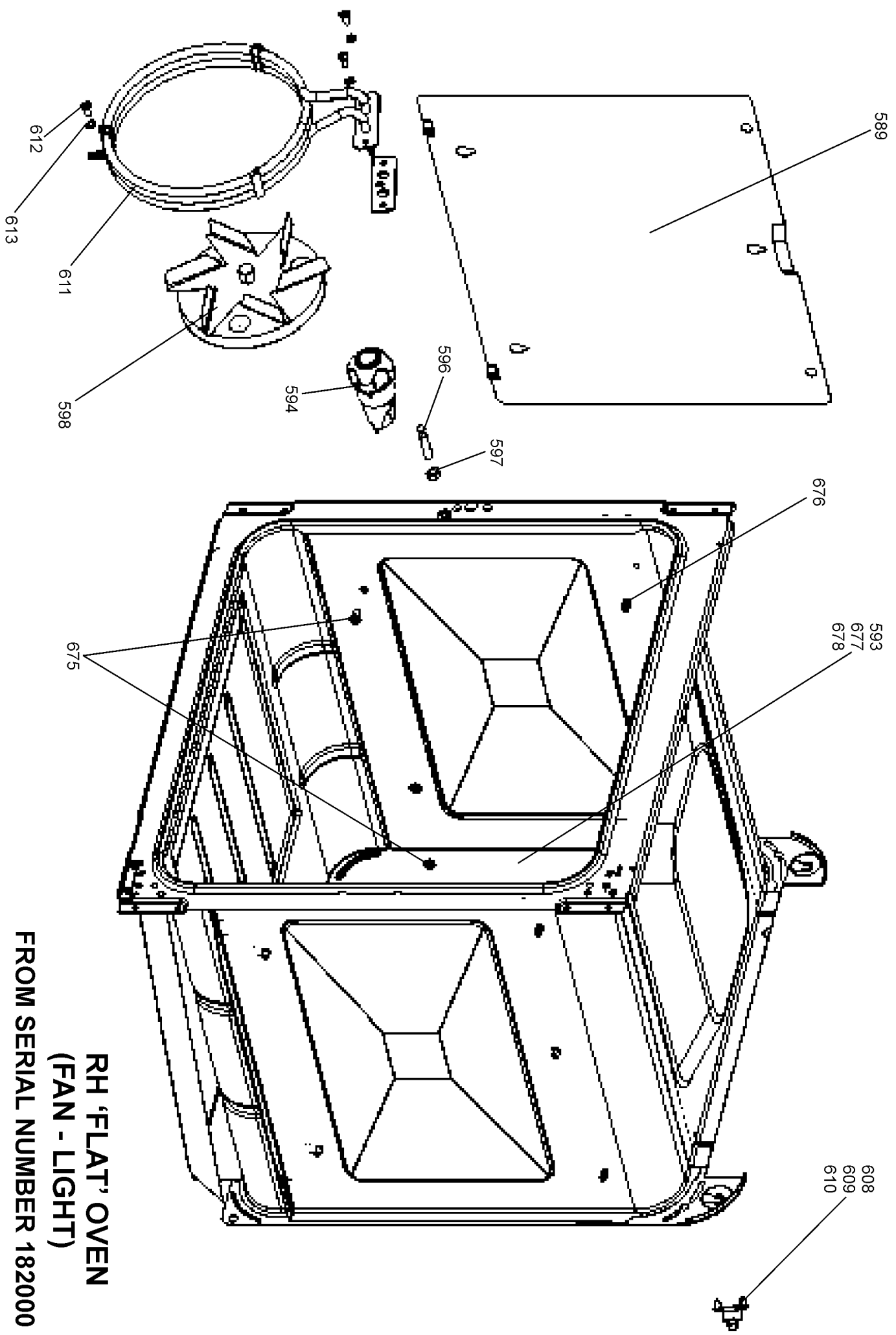
593 OVEN BAFFLE

671 FIXING SCREWS

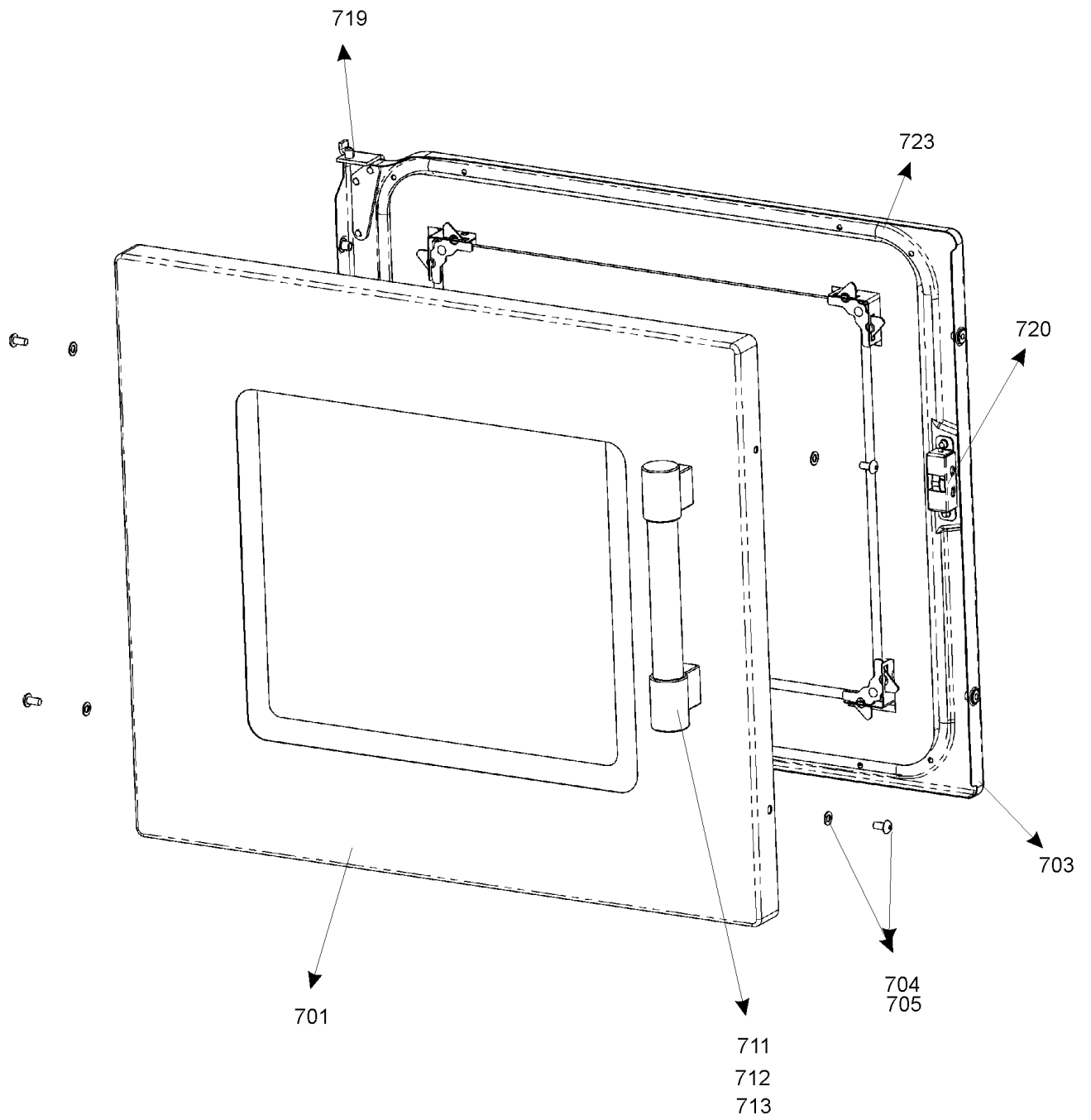
608
609
610

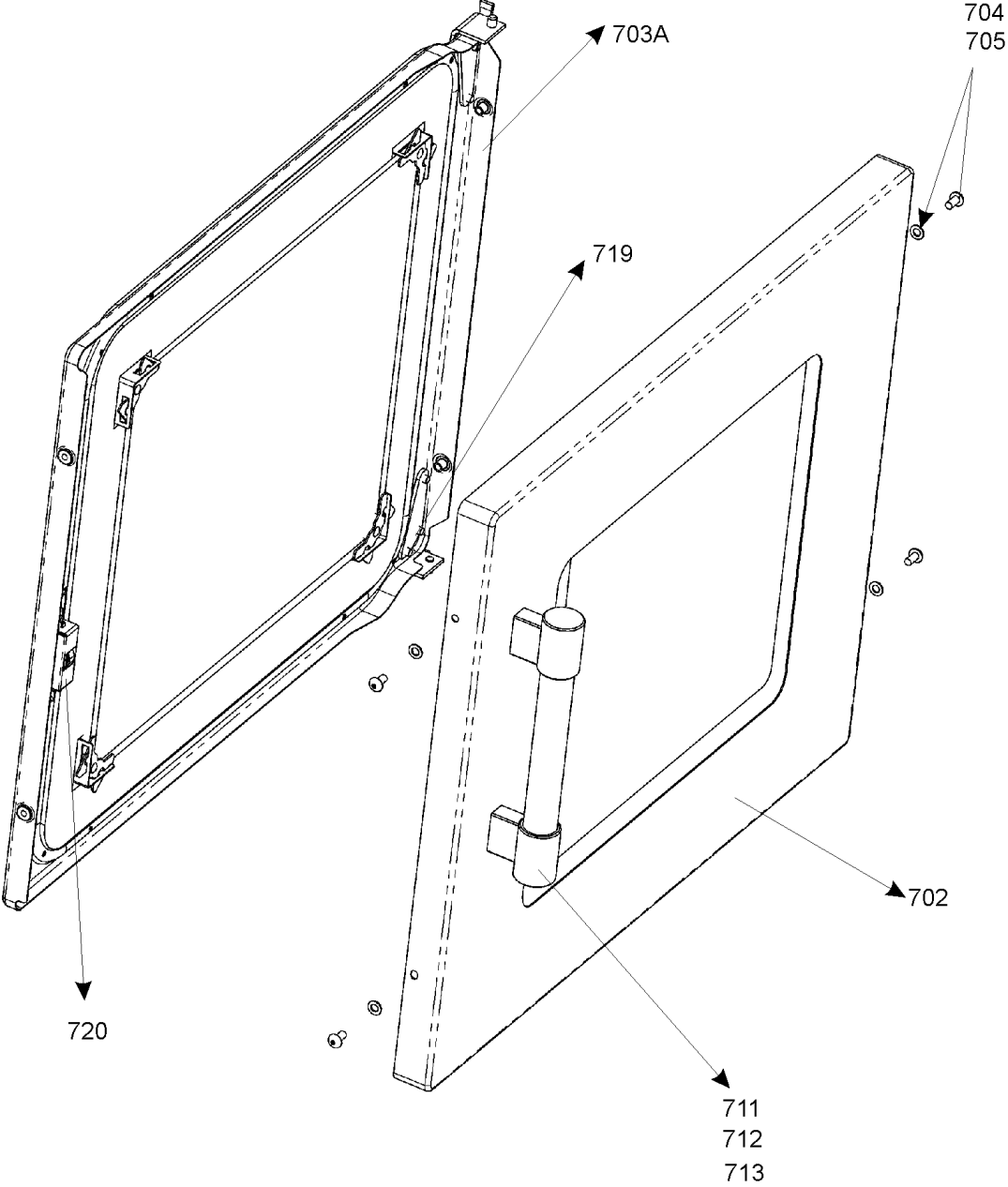
**RH OVEN
(FAN - LIGHT)**

FROM SERIAL NUMBER 167000 UP TO 181999

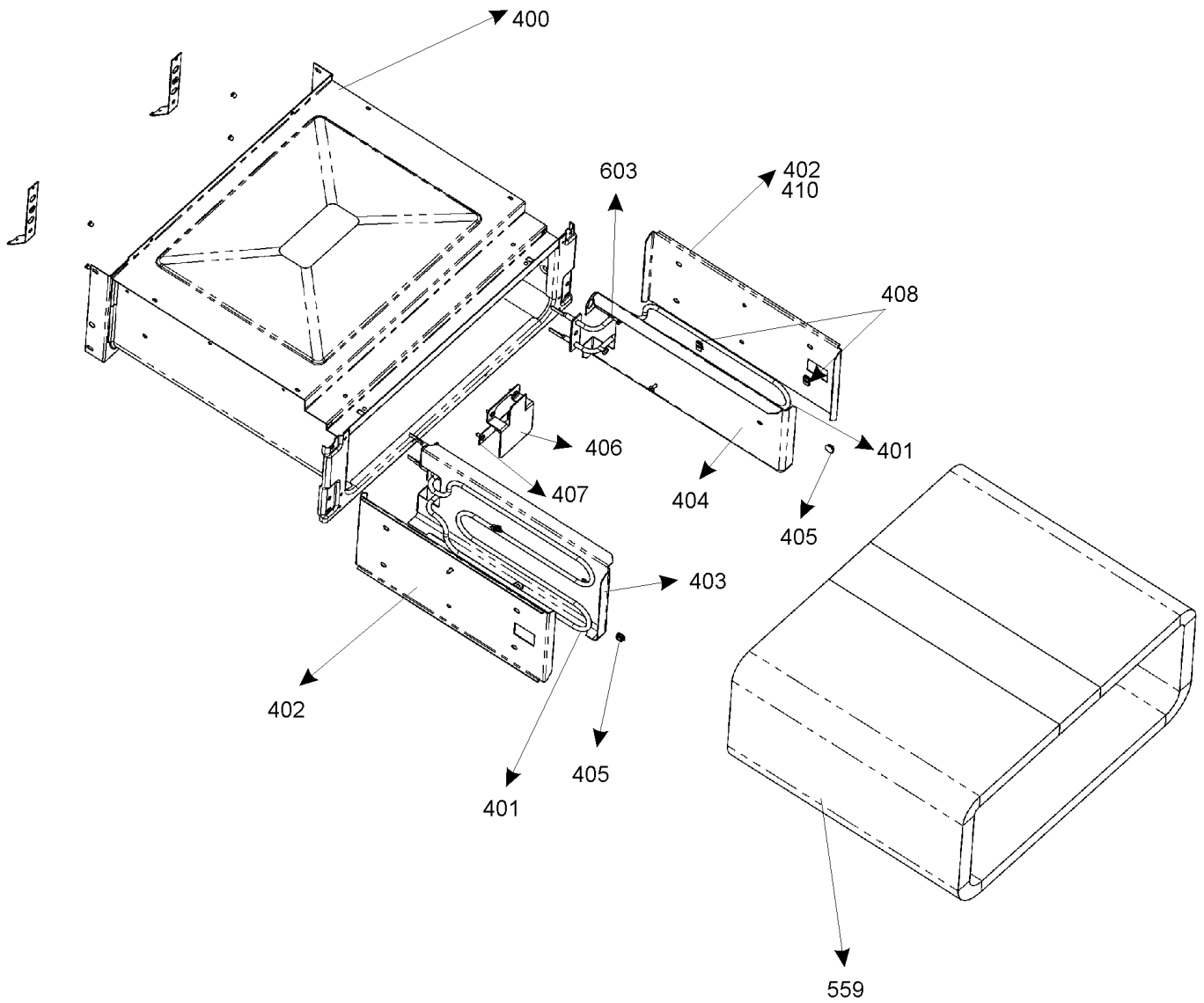


**RH 'FLAT' OVEN
(FAN - LIGHT)
FROM SERIAL NUMBER 182000**

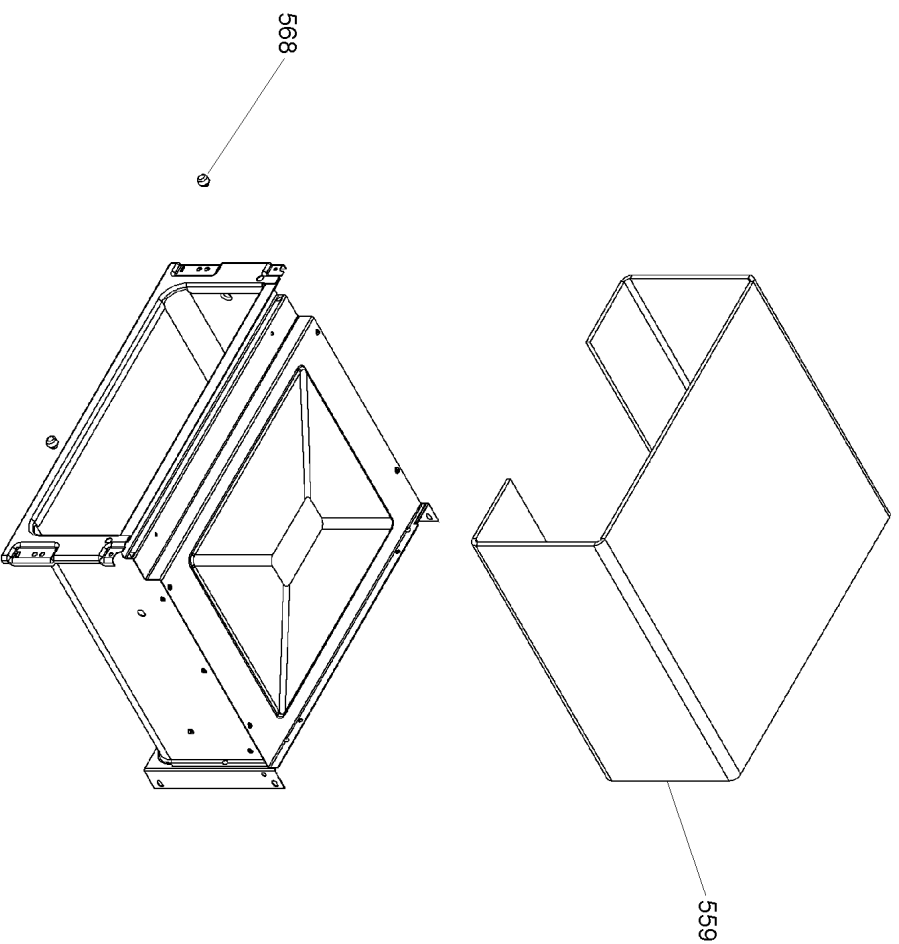
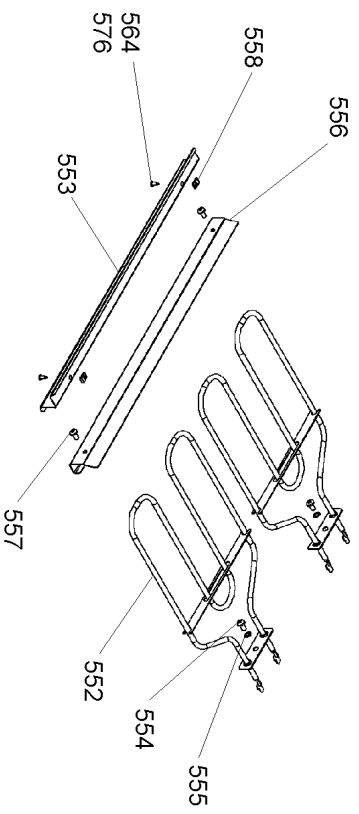




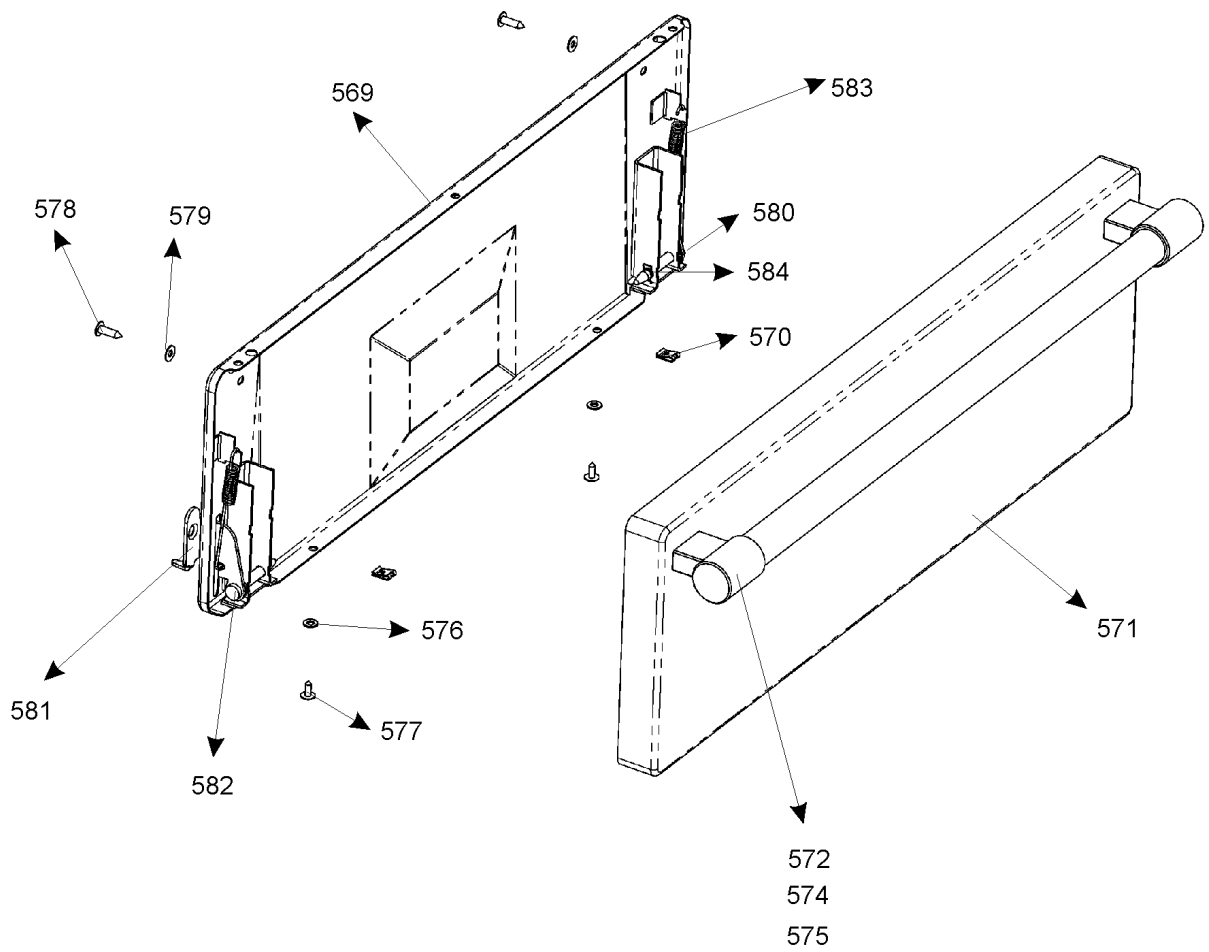
SLOWCOOK



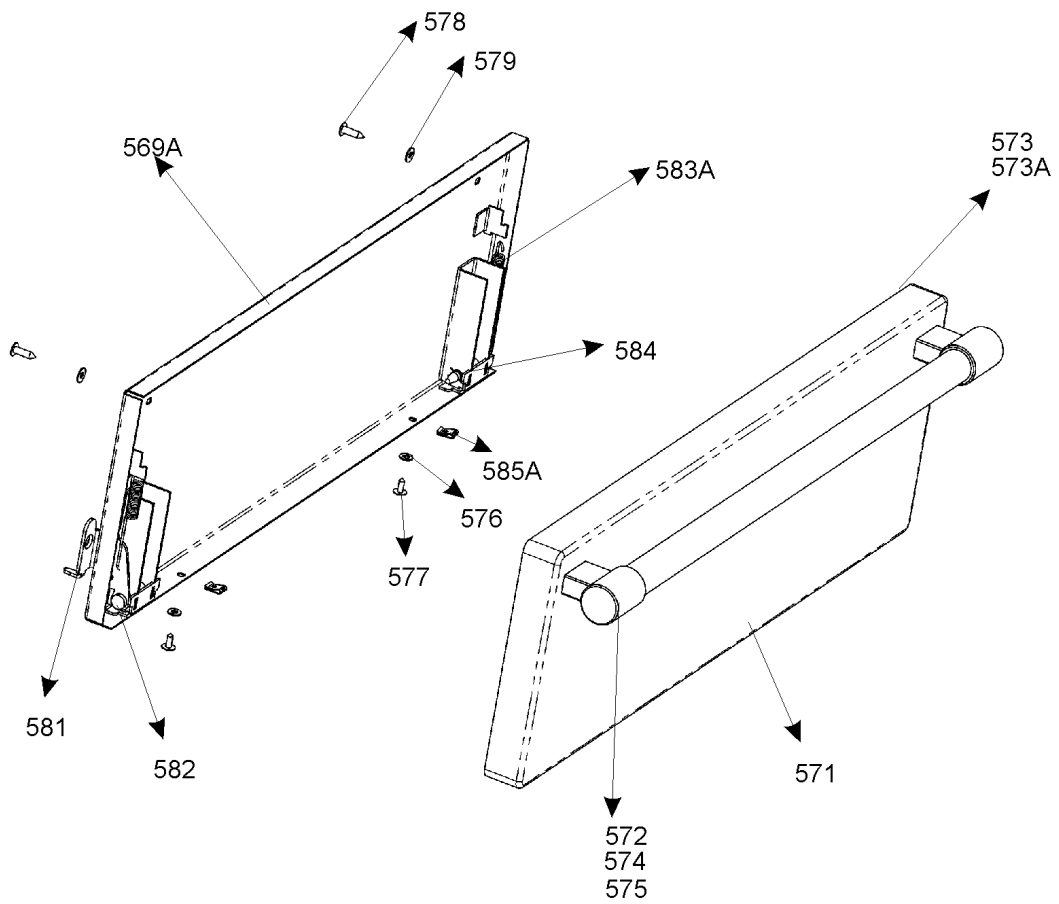
GRILL

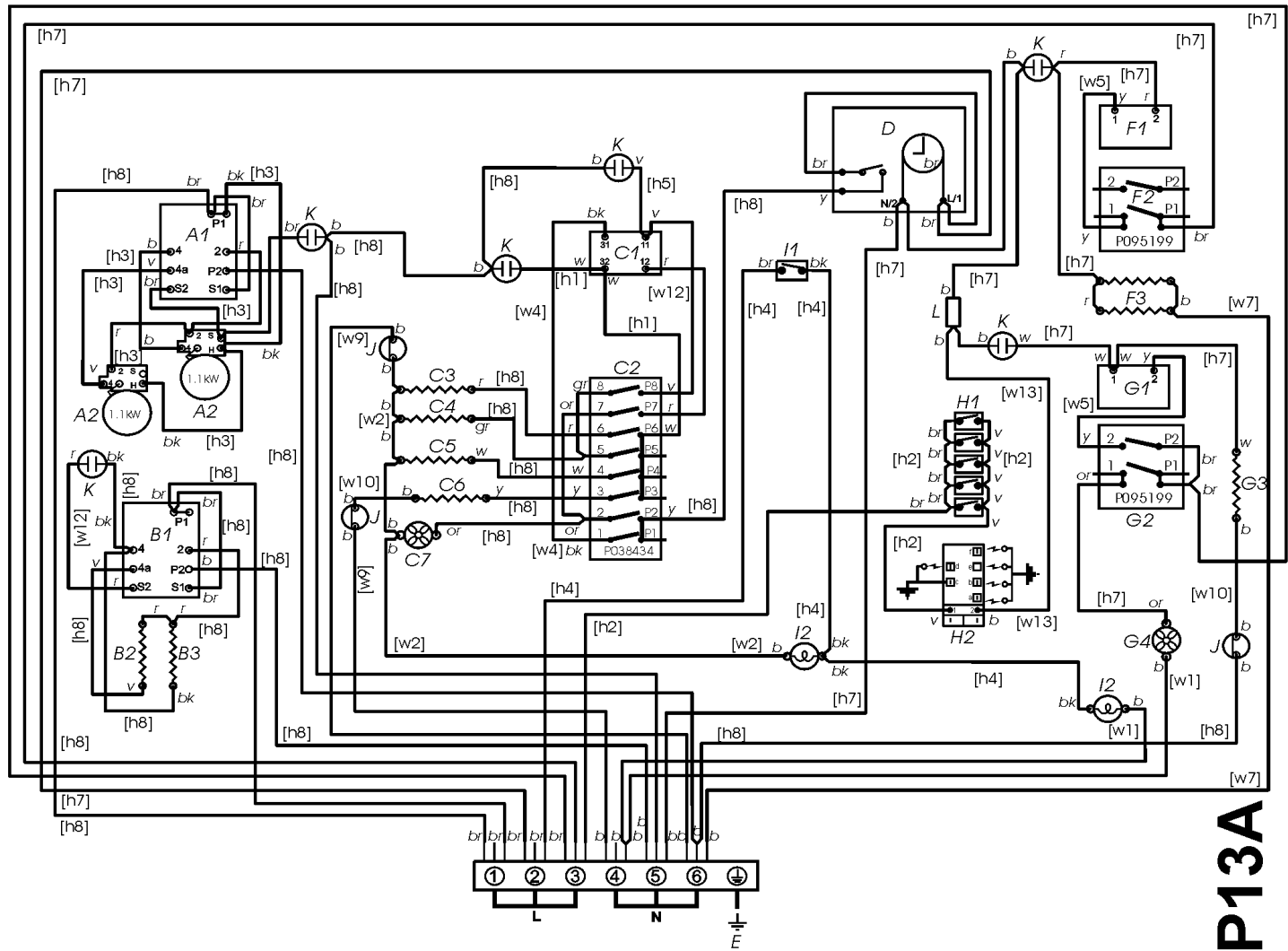


GRILL DOOR



SLOW COOK DOOR





Ref Number	Part number	Quantity	Remarks
w1	P027733	1	Wire - TB to RH oven Fan and light
w2	P033089	1	Wire - Right hand oven cut out to elements /fan /light
h1	P095565	1	Harness Asse mibly - Neon Thermostat harness
w3	P055374	2	Wire (Nl) - Grill Earths
h2	P049254	1	Harness Asse mibly - HT switch harness
h3	P038594	1	Harness Asse mibly - Griddle harness
h4	P040760	1	Harness Asse mibly - OVEN LIGHT
h5	P033367	1	Harness Asse mibly - Left hand oven switch to T/Stat
w4	P038597	1	Wire - T'STAT BLACK LINK
h6	P049242	1	Harness Asse mibly (Nl) - HT HARNESS
w5	P037863	2	Wire - Yellow Link Wire
w6	P049256	1	Wire (Nl) - SPARK GEN EARTH
h7	P038907	1	Harness Asse mibly - Timer fan right hand oven /Slowcook oven
h8	P038908	1	Harness Asse mibly - Left hand /CERAMIC/GRILL live and neutral feeds
w7	P040044	1	Wire - SLOWCOOK/ELEMT/NEUT'L
w8	P033072	1	Wire (Nl) - EARTH LINKS MULTI FUNCTION
w9	P033073	1	Wire - Left hand oven neutral link
w10	P040066	2	Wire - Left hand oven FAN CUT OUT TO MF OVEN ELEMENT
w11	P038911	1	Wire (Nl) - TB FAN-LH LAMP-SLOWCOOK EL
w12	P094951	2	Wire - GRILL TO NEON and Left hand oven to T/Stat
w13	P094945	1	Wire - SPARK GEN. NEUTRAL
w14	P094943	3	Wire (Nl) - Earth Wires

NI Not Illustrated

w - Single Cable / Single Cable with multiple terminations

h - Harness Assembly (Including Single Wires that are Sheathed)

Code	Description
A1	Hob energy regulator
A2	Hob Element
A3	Hob Element
B1	Grill energy regulator
B2	Left hand grill element
B3	Right hand grill element
C1	Left hand oven thermostat
C2	Left hand oven switch
C3	Left hand oven base element
C4	Left hand oven top element (outer)
C5	Left hand oven top element (inner)
C6	Left hand oven fan element
C7	Left hand oven fan

Code	Description
D	Clock/ Oven timer
F1	Slow cook oven thermostat
F2	Slow cook oven switch
F3	Slow cook oven elements
G1	Right hand oven thermostat
G2	Right hand oven switch
G3	Right hand oven fan element
G4	Right hand oven fan
H	Oven light switch
H1	Ignition switches
H2	Spark Ignition generator
I	Oven light
J	Thermal cut out
K	Neon

Code	Colour
b	Blue
br	Brown
bk	Black
or	Orange
r	red
v	violet
w	White
y	yellow
gr	Grey

DSL0315 P13A

FALCON EXCEL 110

DF/NG FSD

FROM SERIAL NUMBER13000 DATE 25.01.10 ISSUE STATUS 01