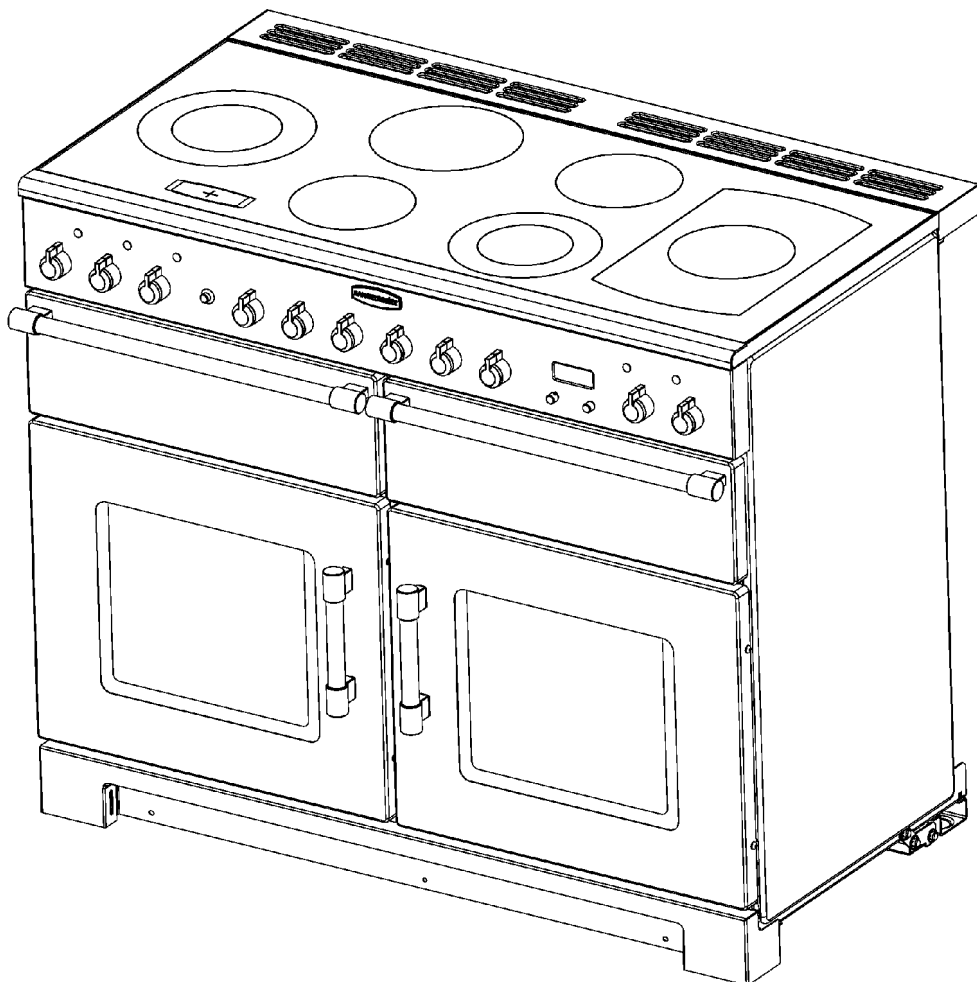
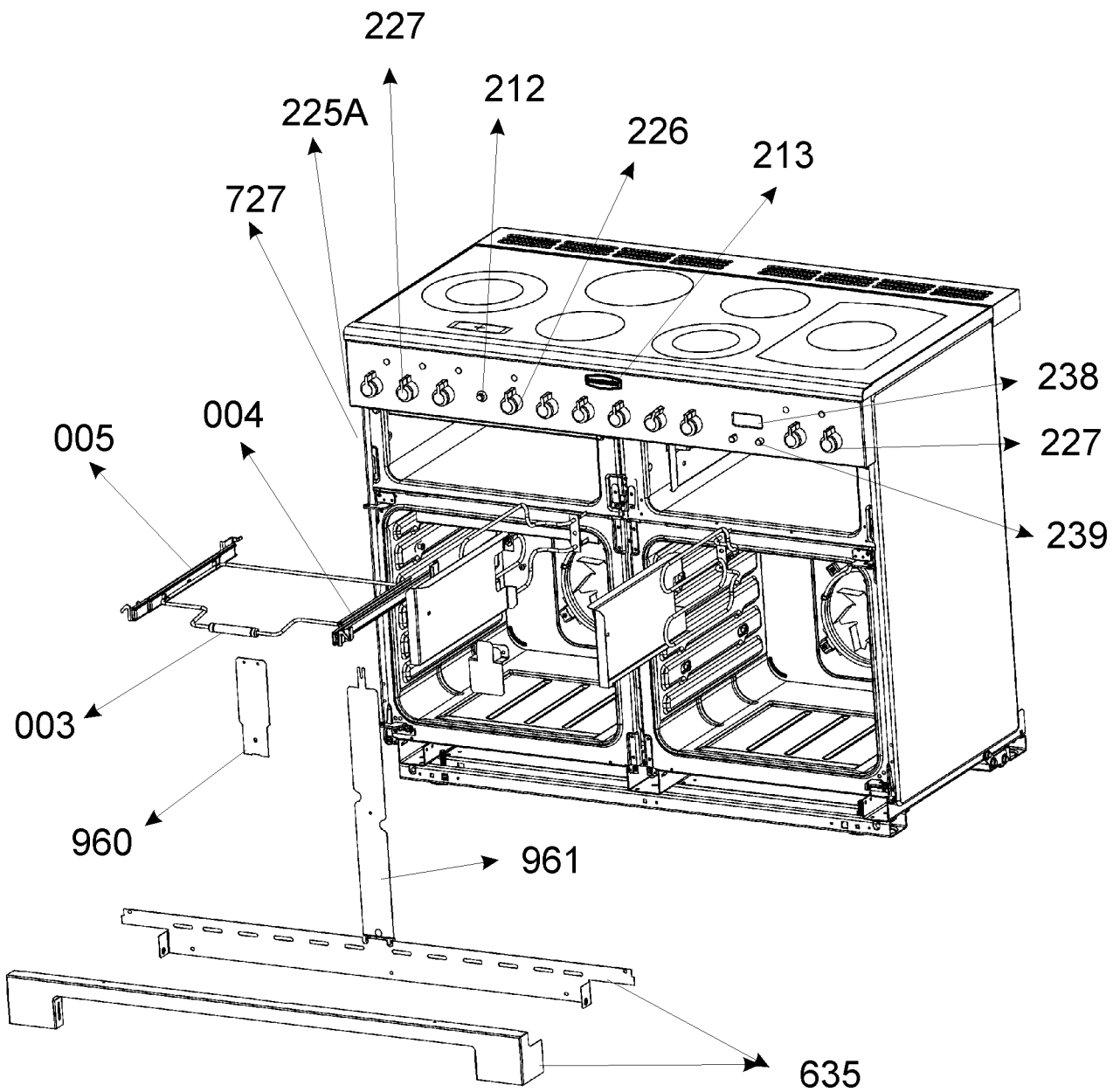


PRODUCT CODE
8101,8102,8103

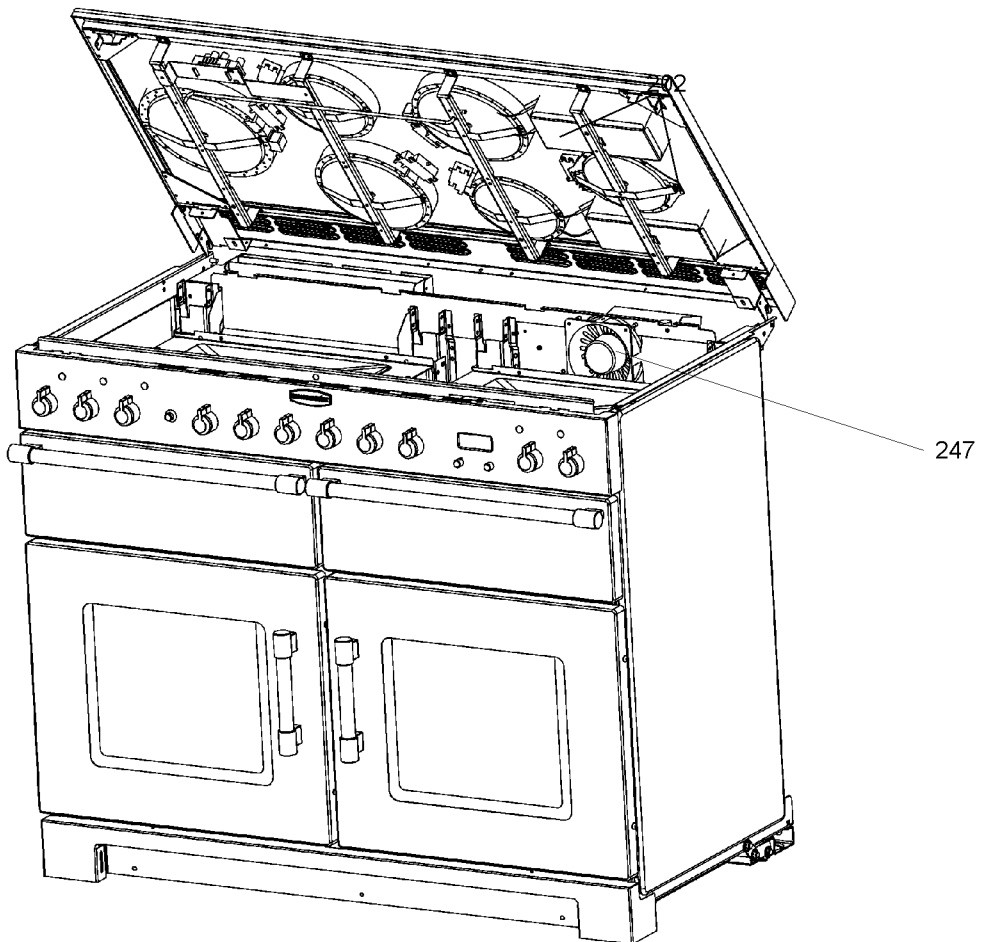
DSL0323
DATE 01.11.06 ISSUE STATUS 01

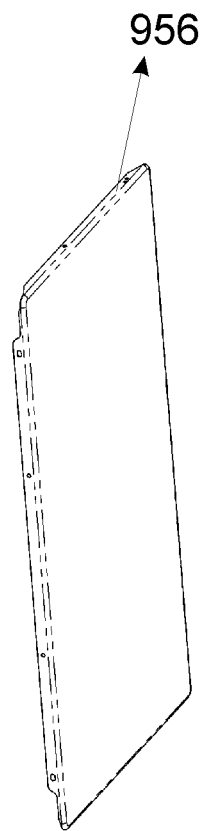


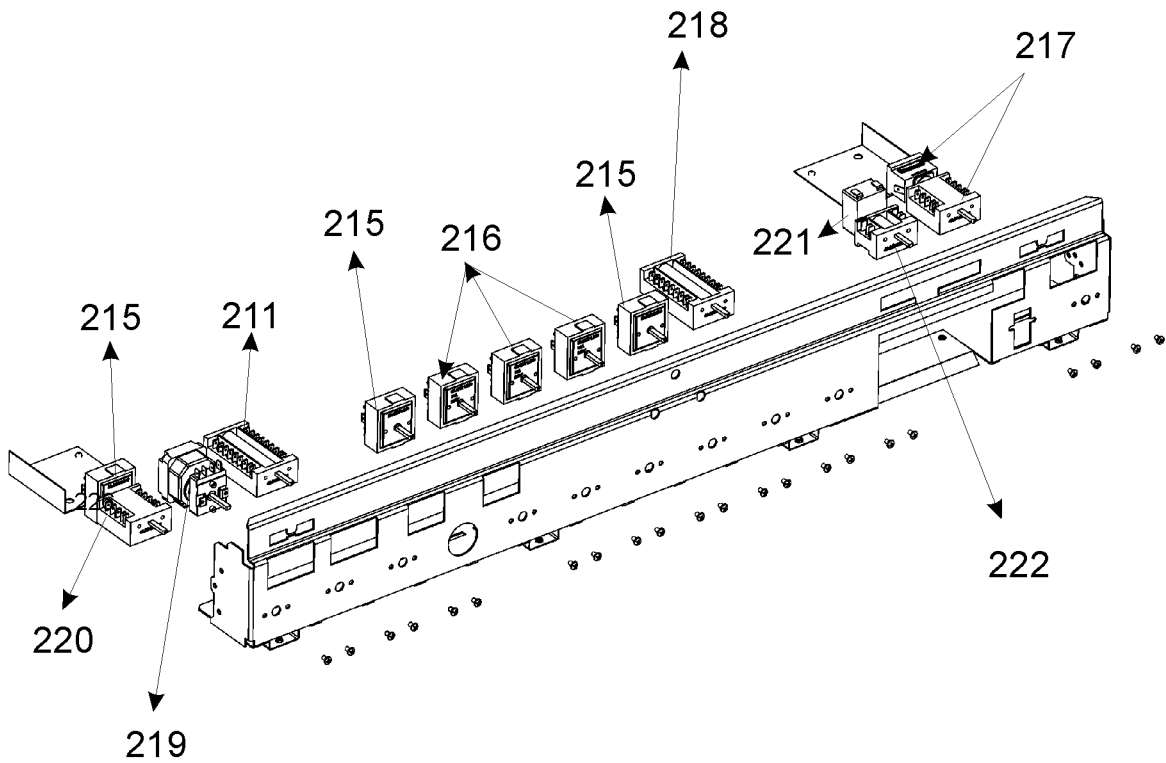


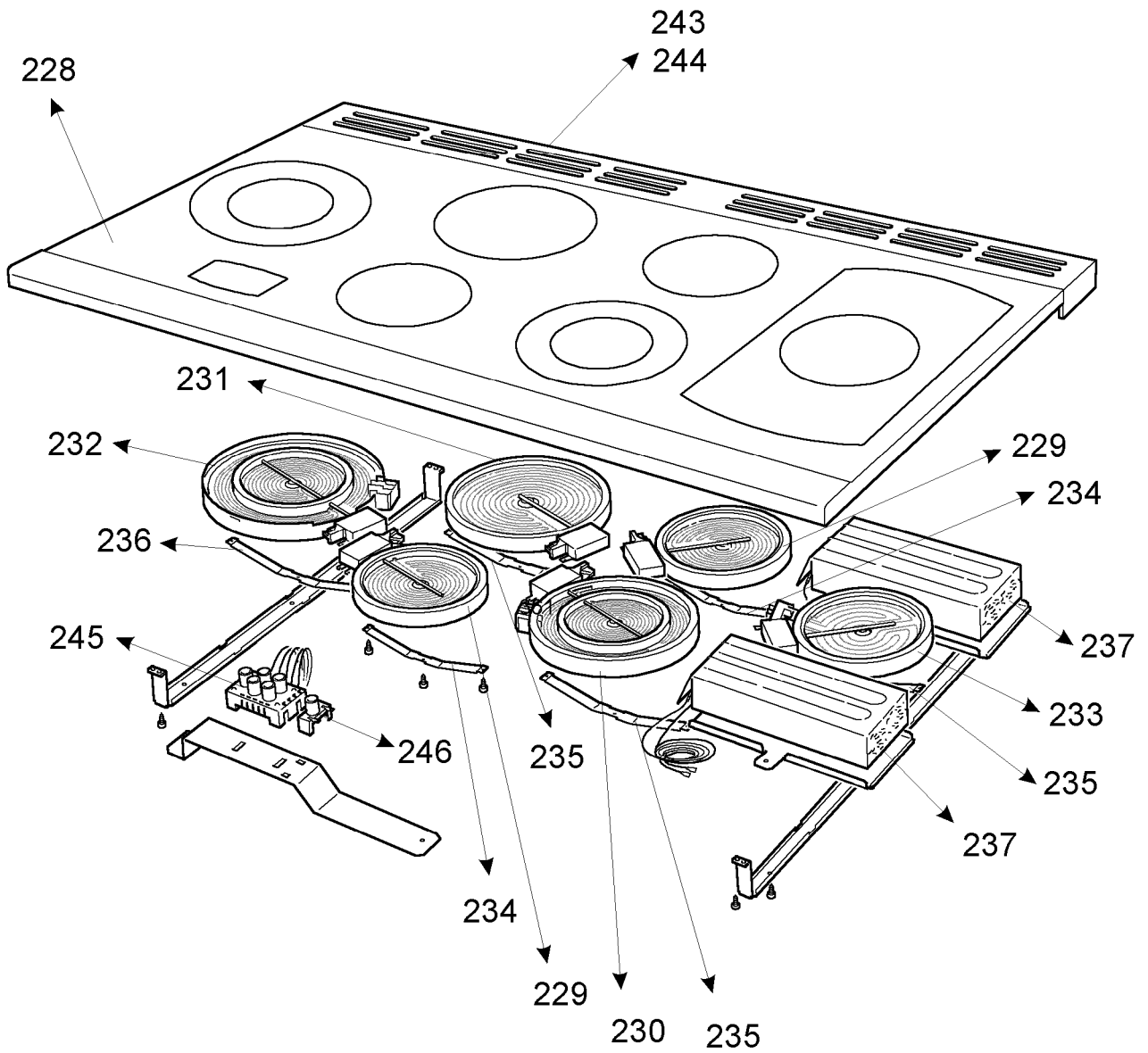
PRODUCT CODE
8101,8102,8103

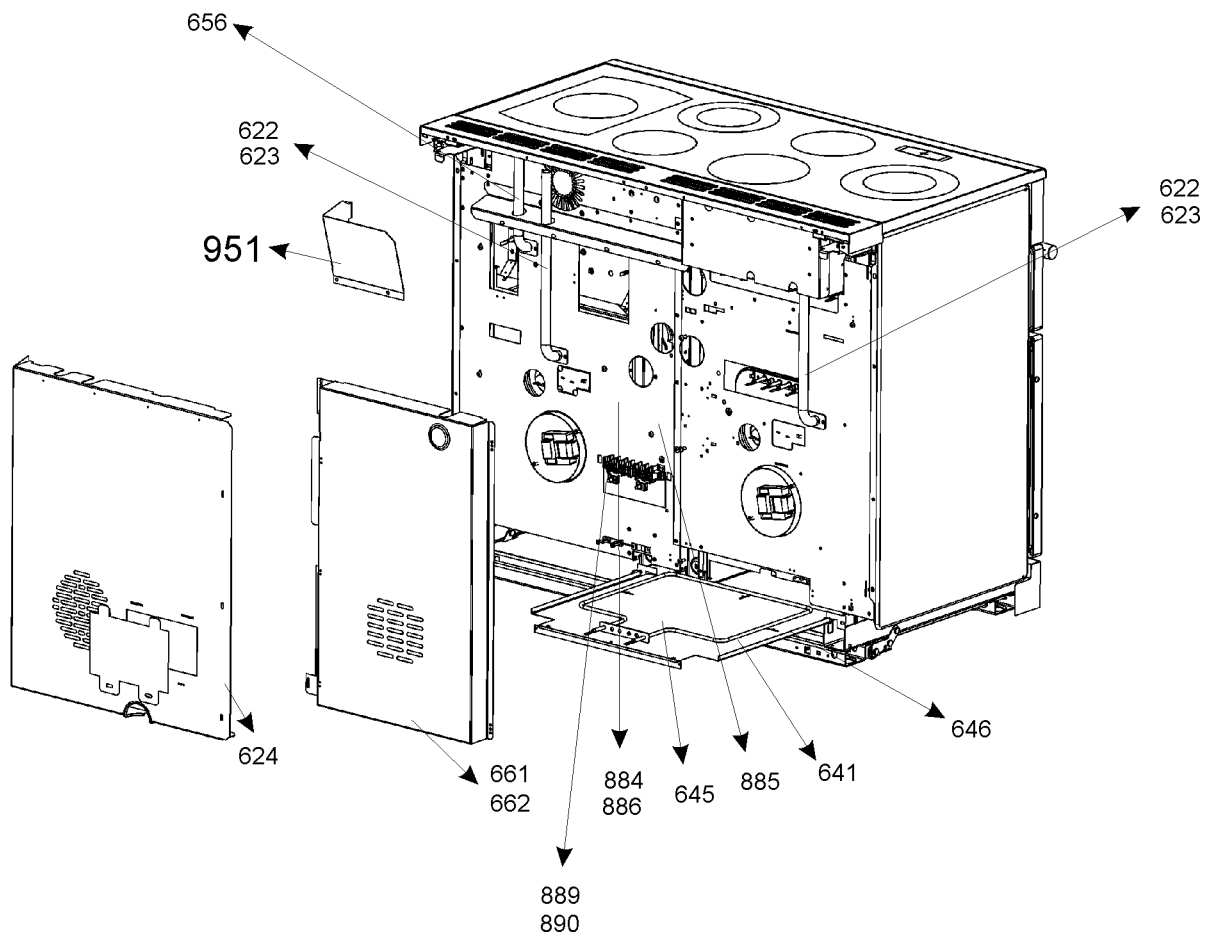
DSL0323 P1A
DATE 01.11.06 ISSUE STATUS 01











PRODUCT CODE
8101,8102,8103

DSL0323 P5A
DATE 01.11.06 ISSUE STATUS 01

