

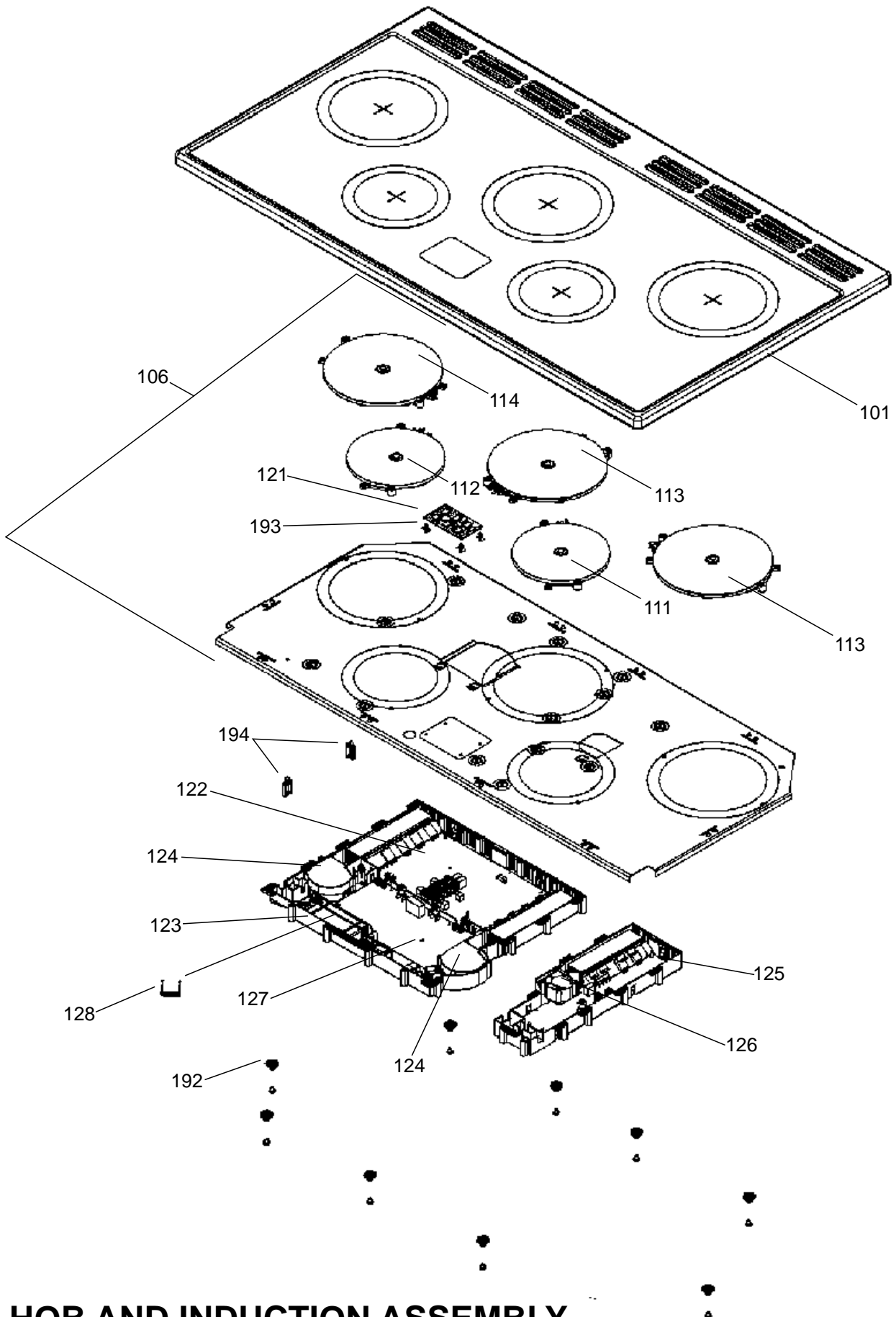
**RANGEMASTER / FALCON  
ESPRIT 110 INDUCTION**

ISSUE: 01

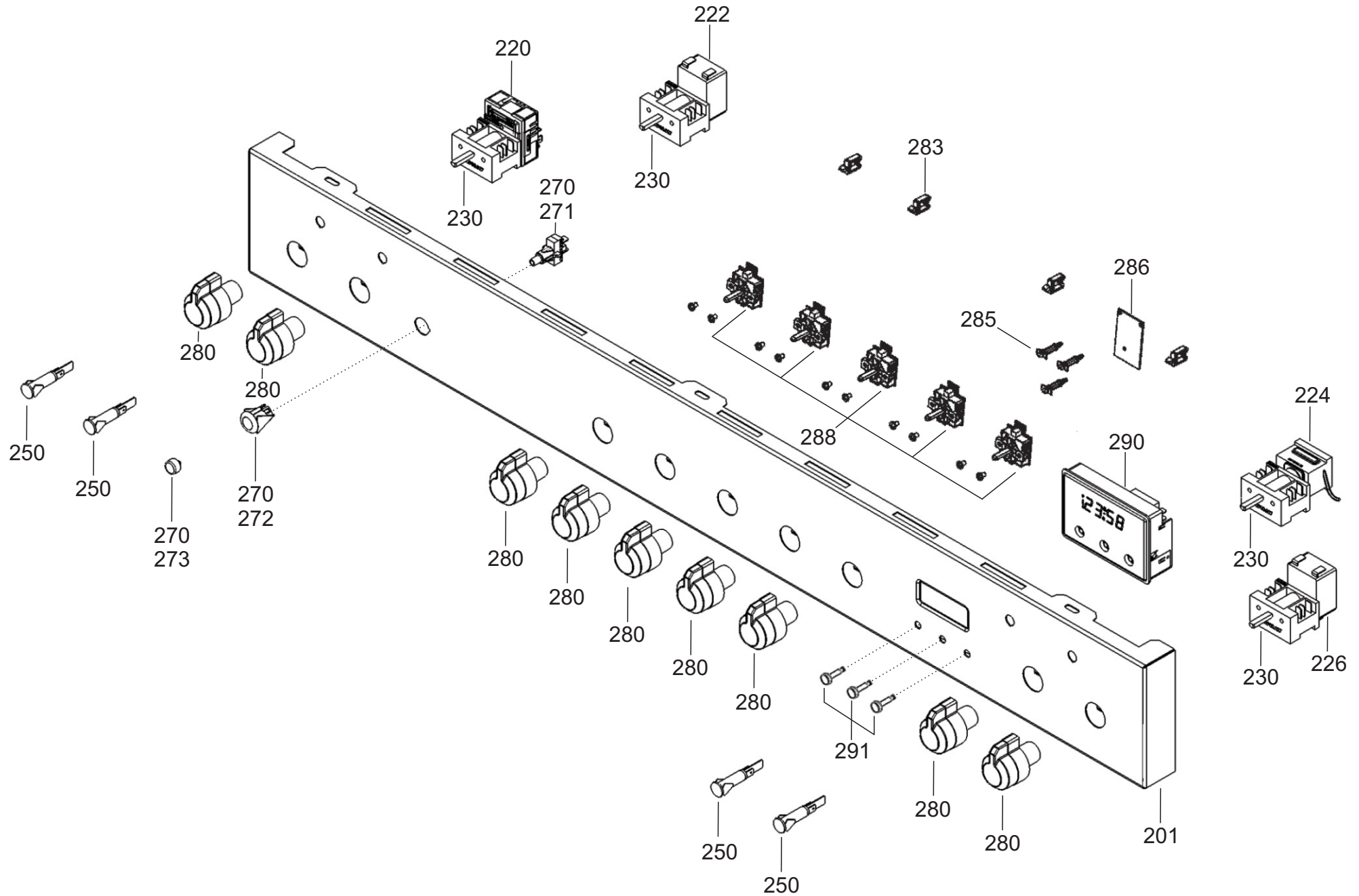
**DSL0819 P00**

DATE: 10.03.2020

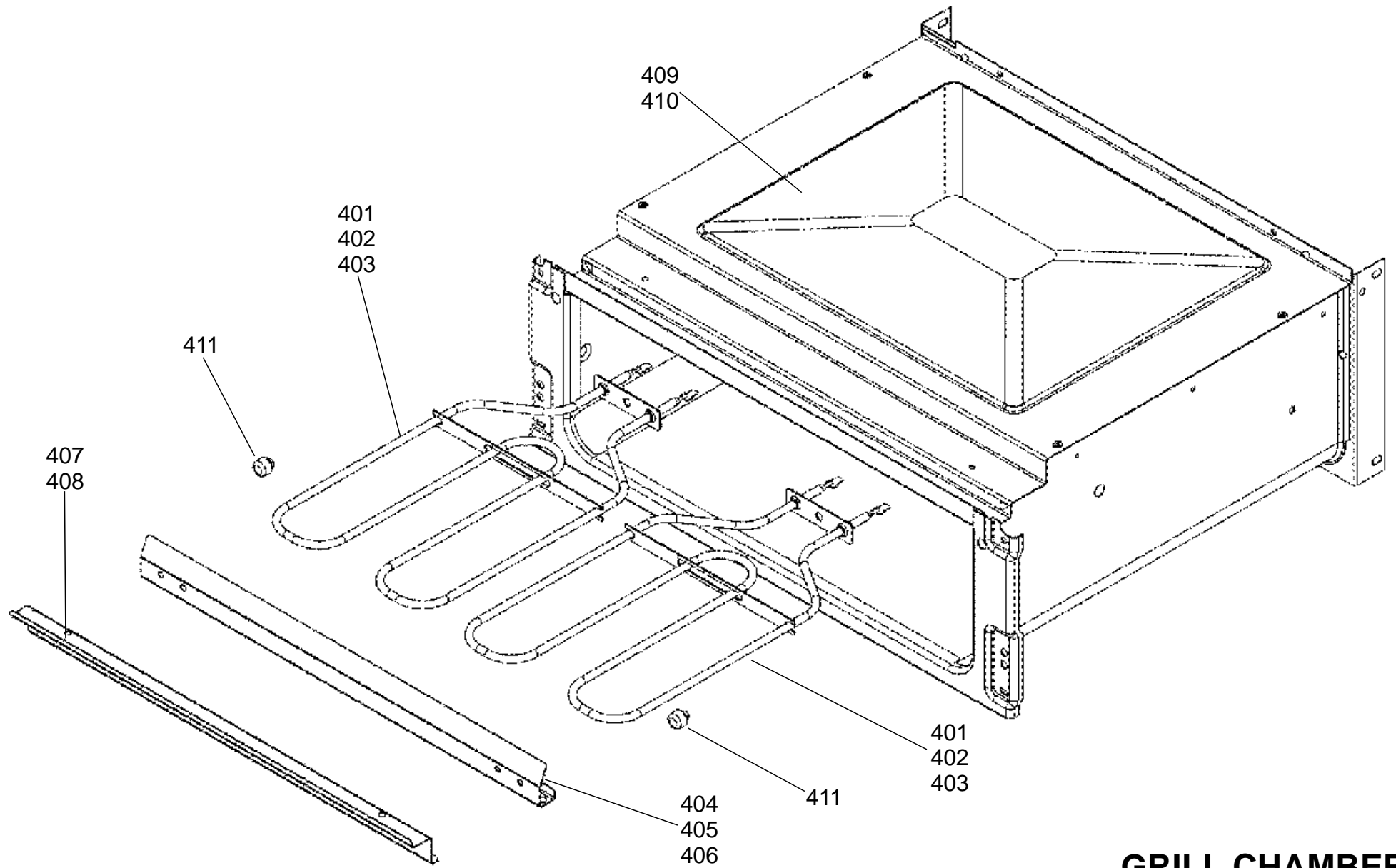




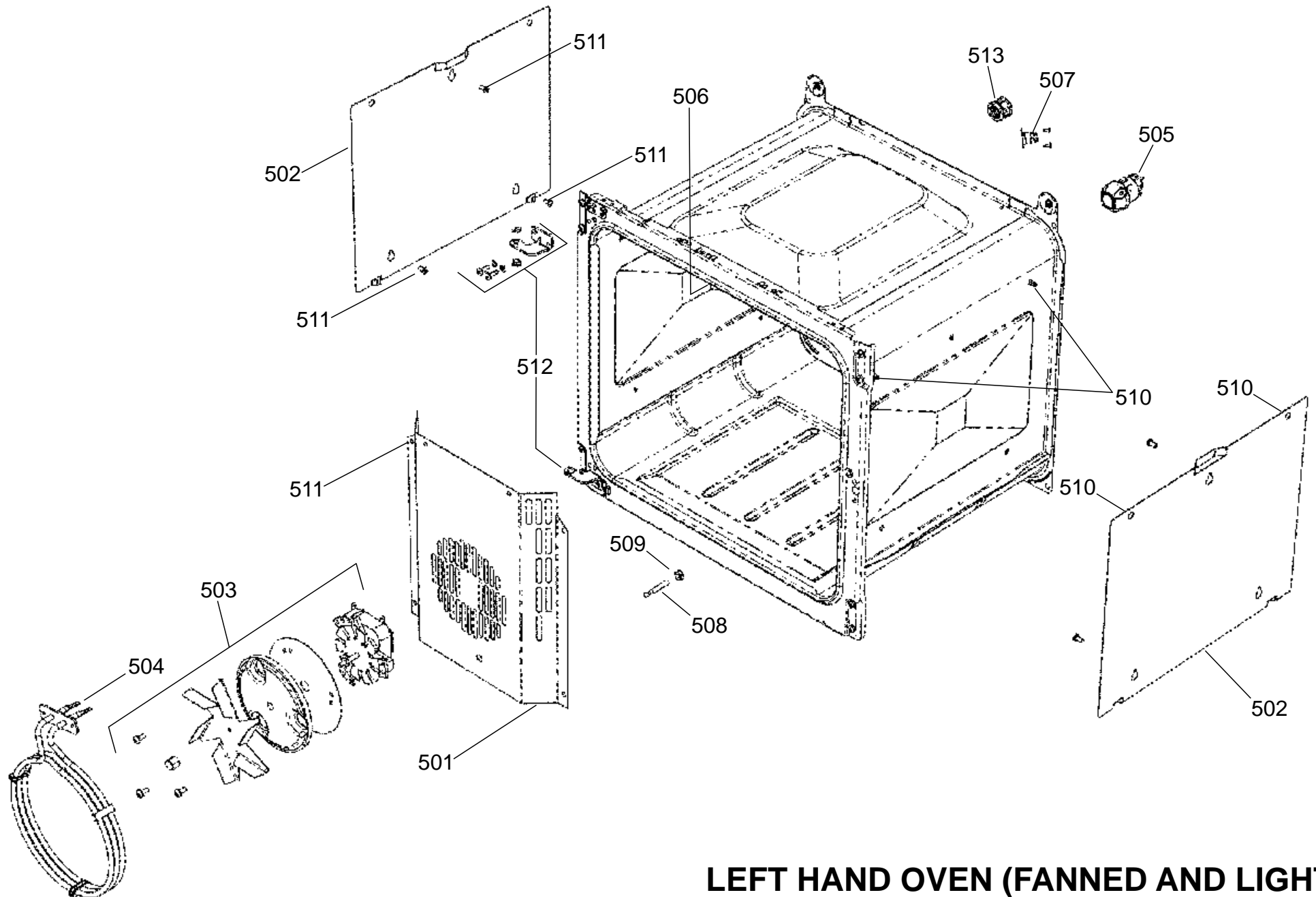
**HOB AND INDUCTION ASSEMBLY**



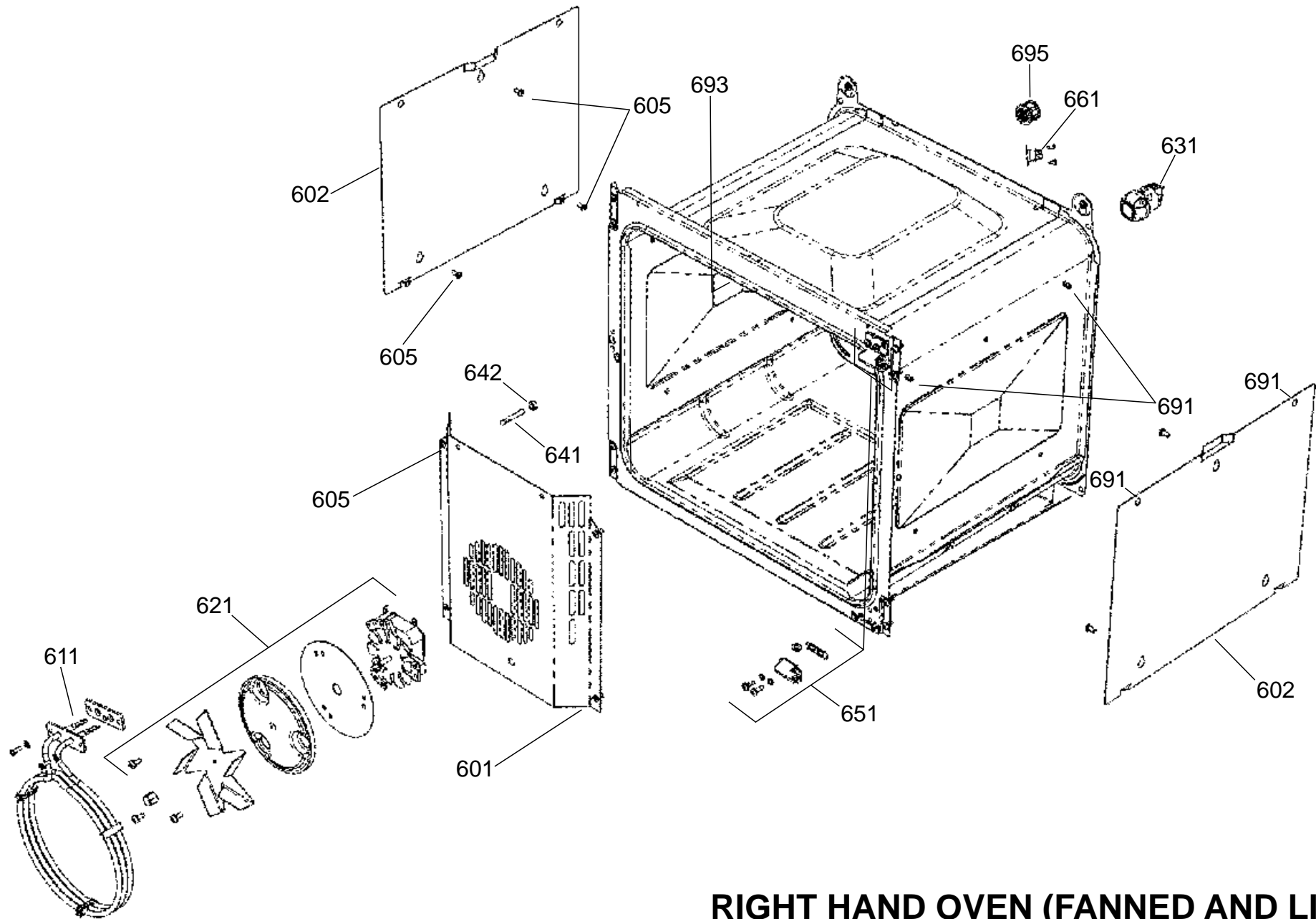
FACIA - CONTROLS - KNOBS



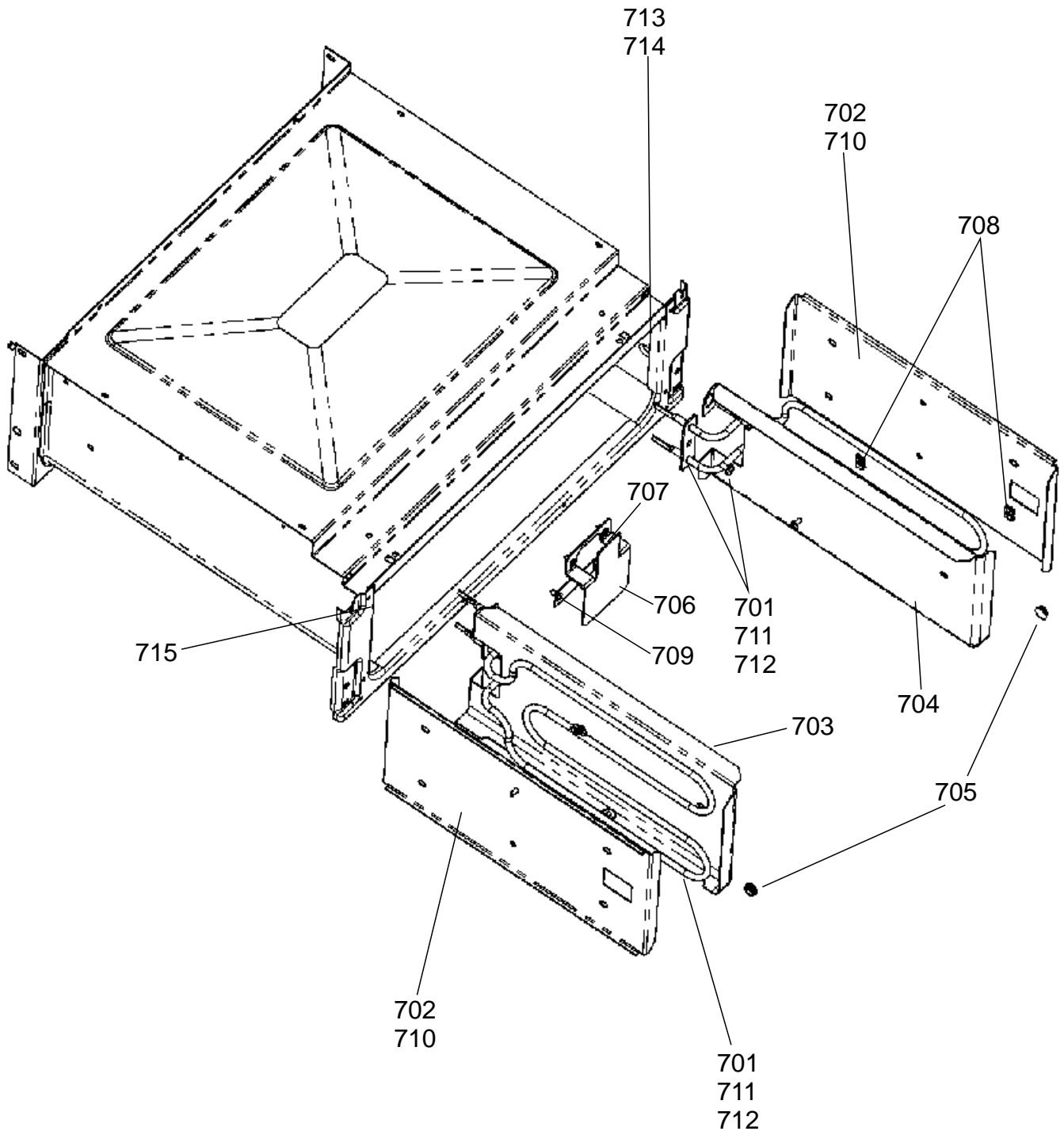
**GRILL CHAMBER**



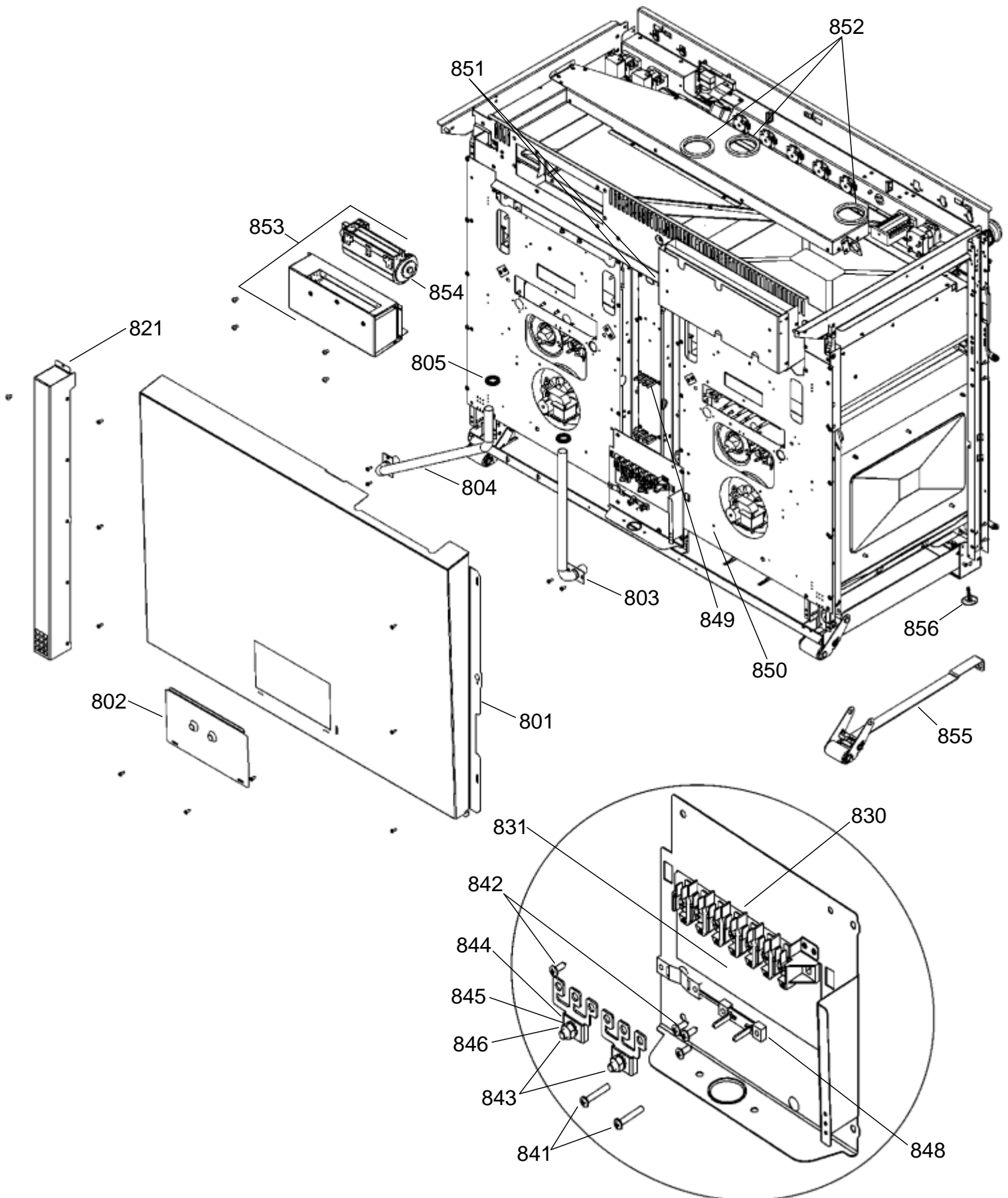
**LEFT HAND OVEN (FANNED AND LIGHT)**



RIGHT HAND OVEN (FANNED AND LIGHT)

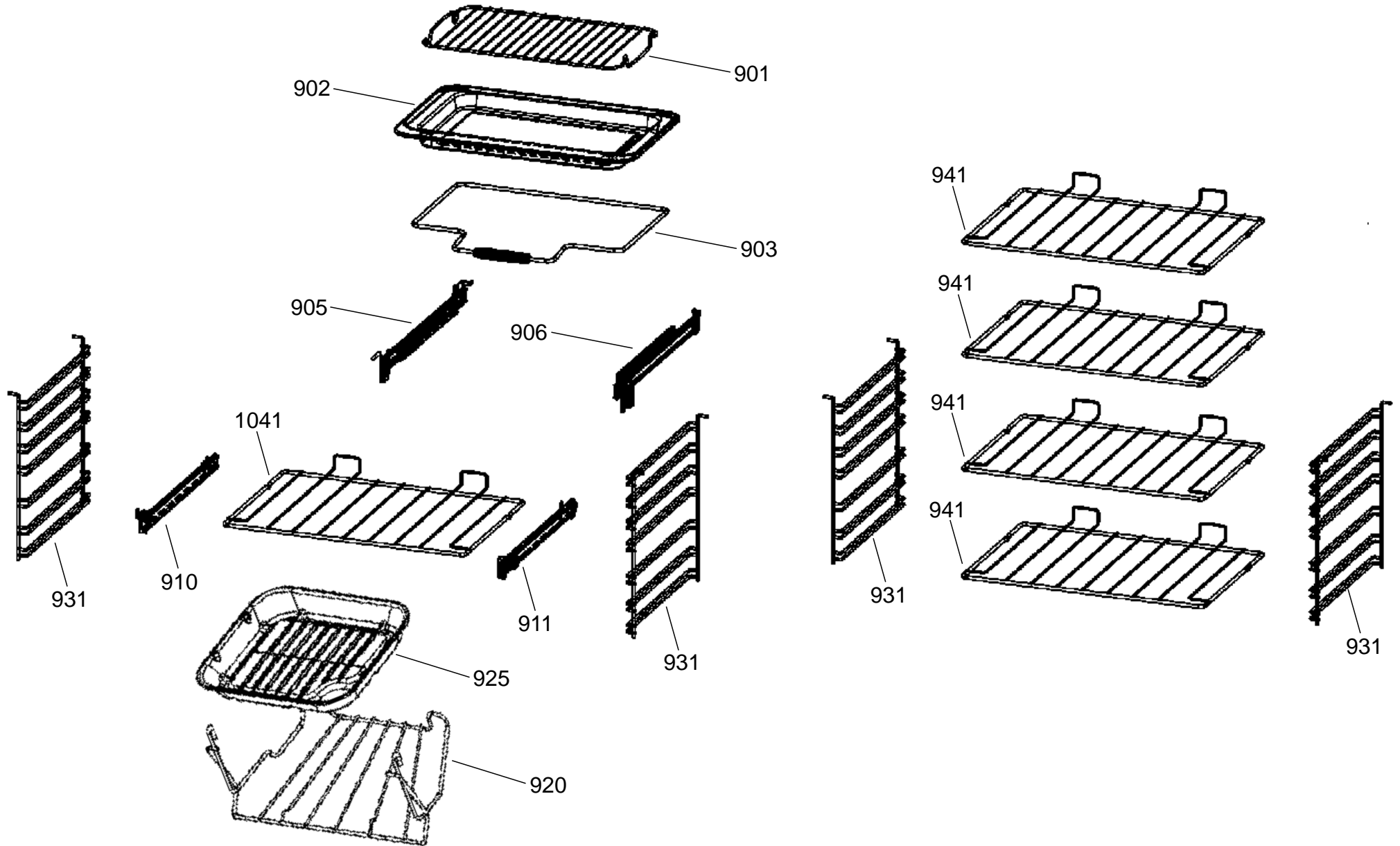


**SLOW COOK OVEN**

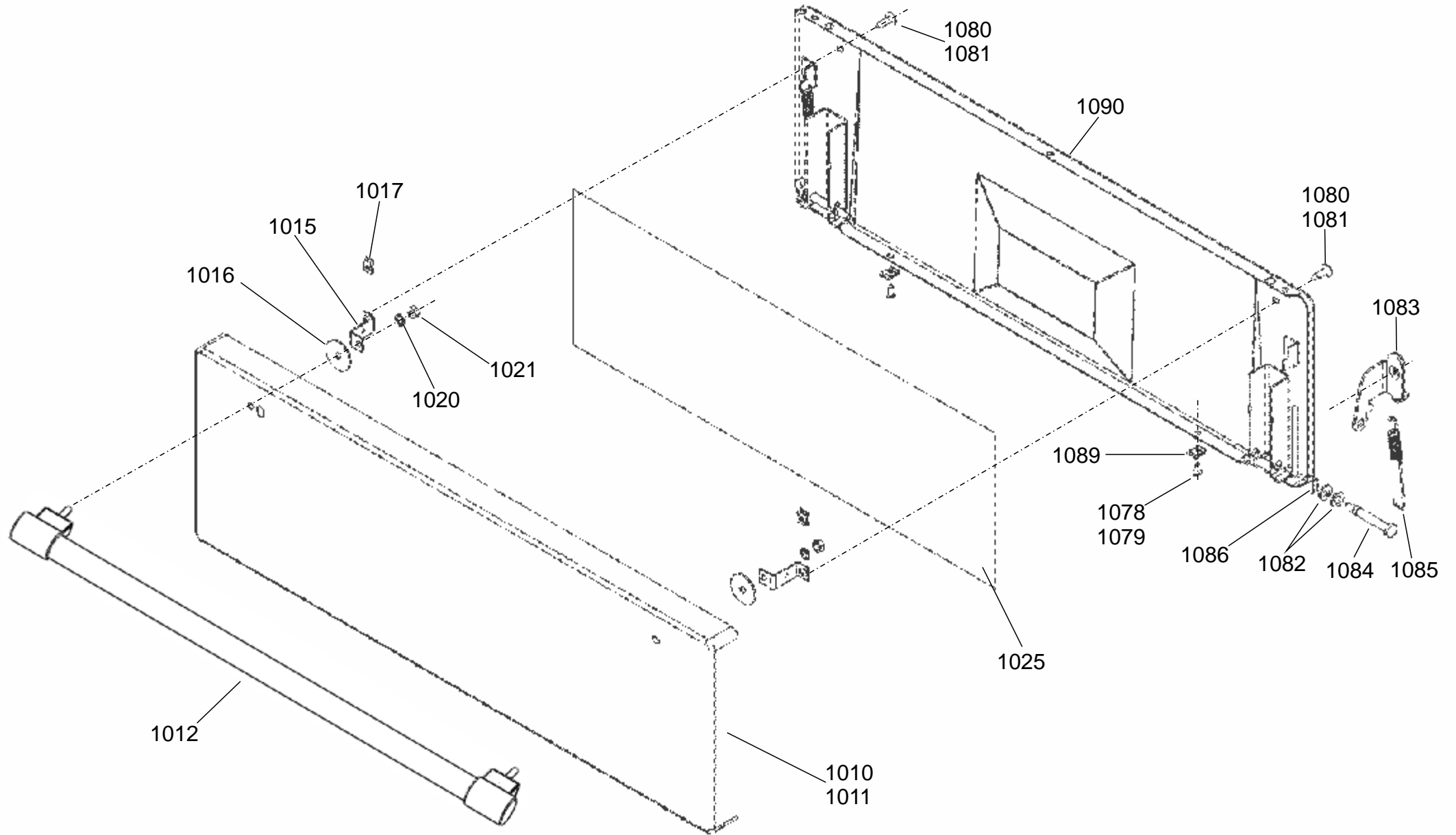


**COOKER BACK AND ELECTRICAL**

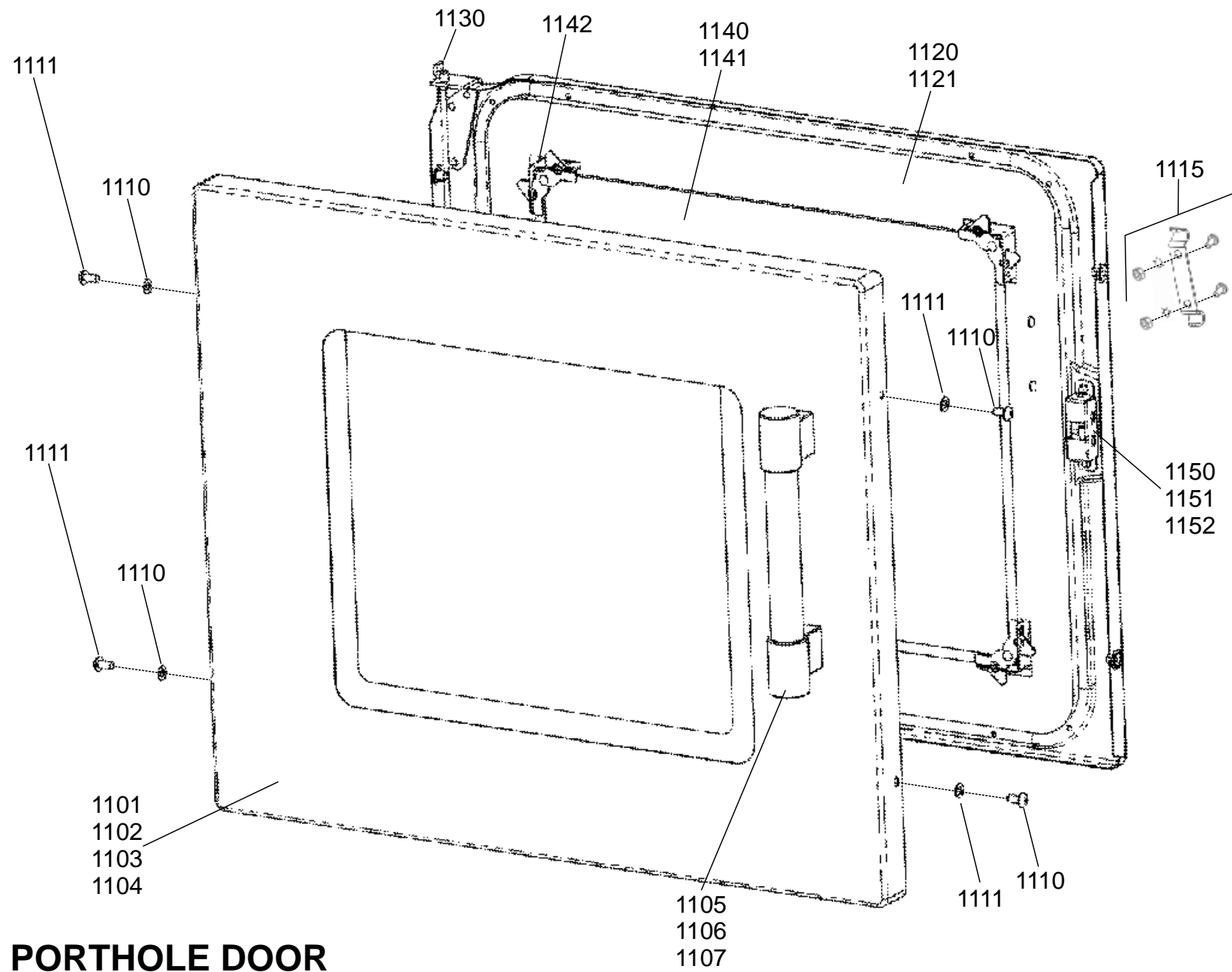




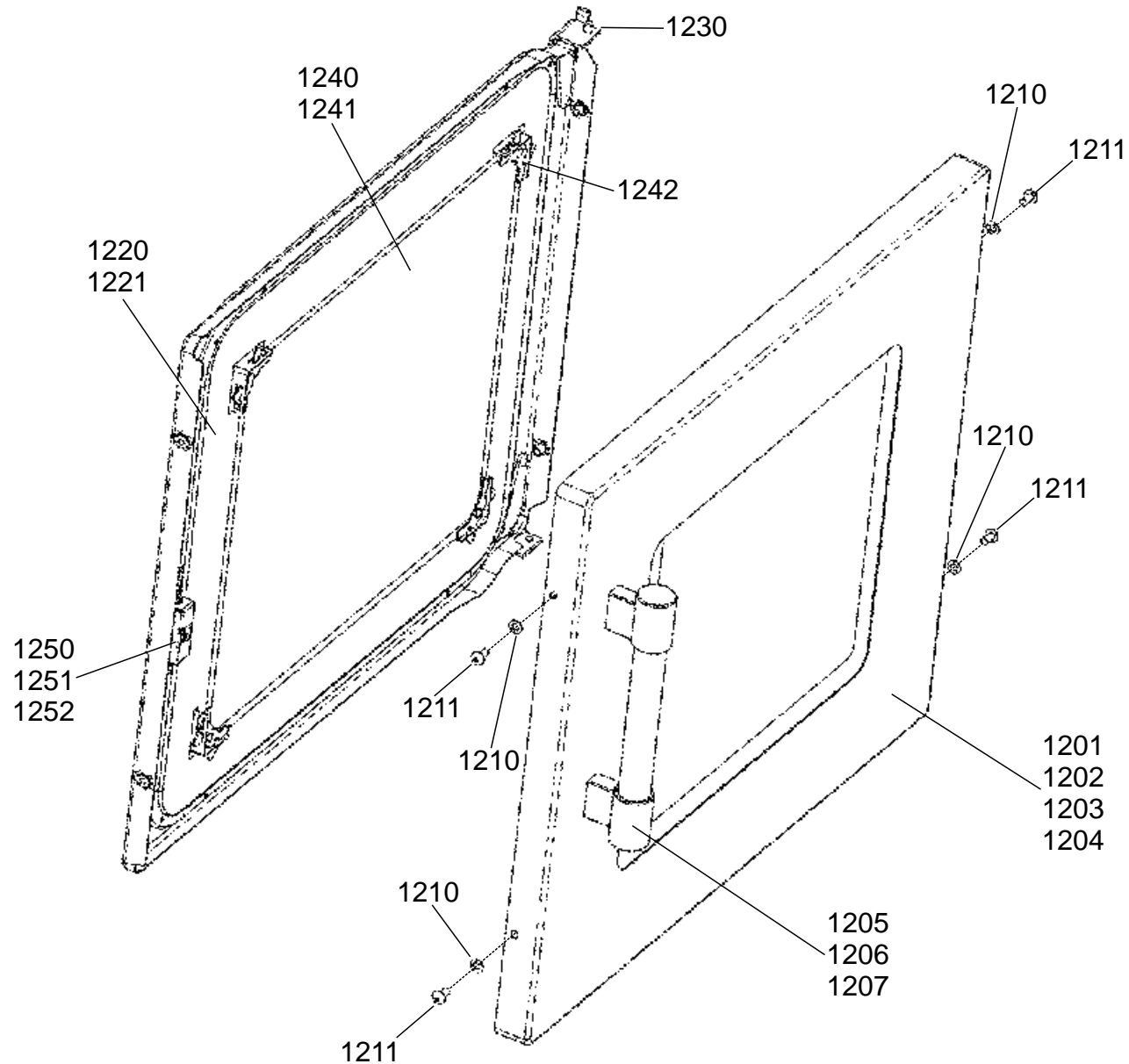
**OVEN AND GRILL ACCESSORIES**



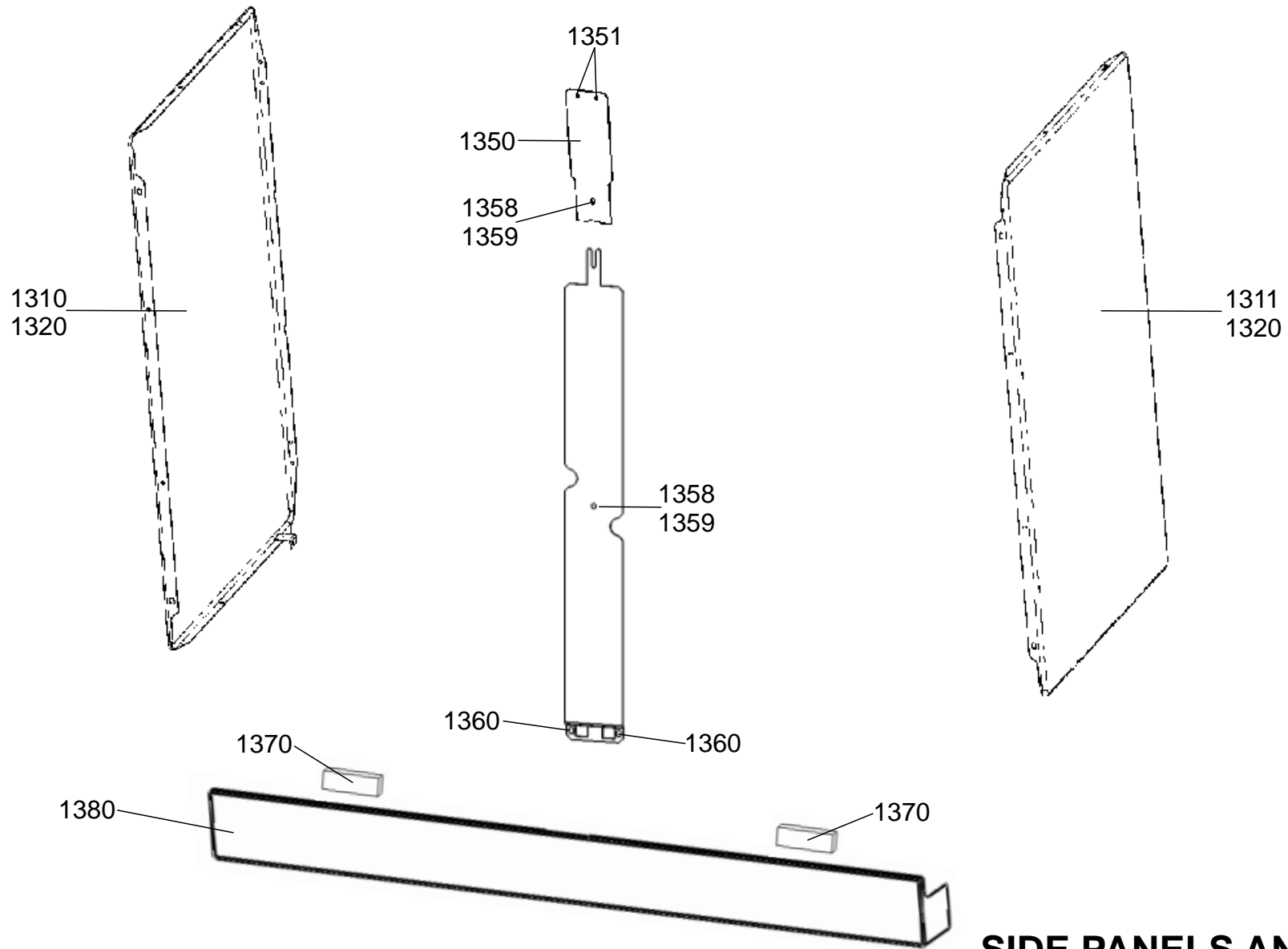
**GRILL AND SLOW COOK DOOR**



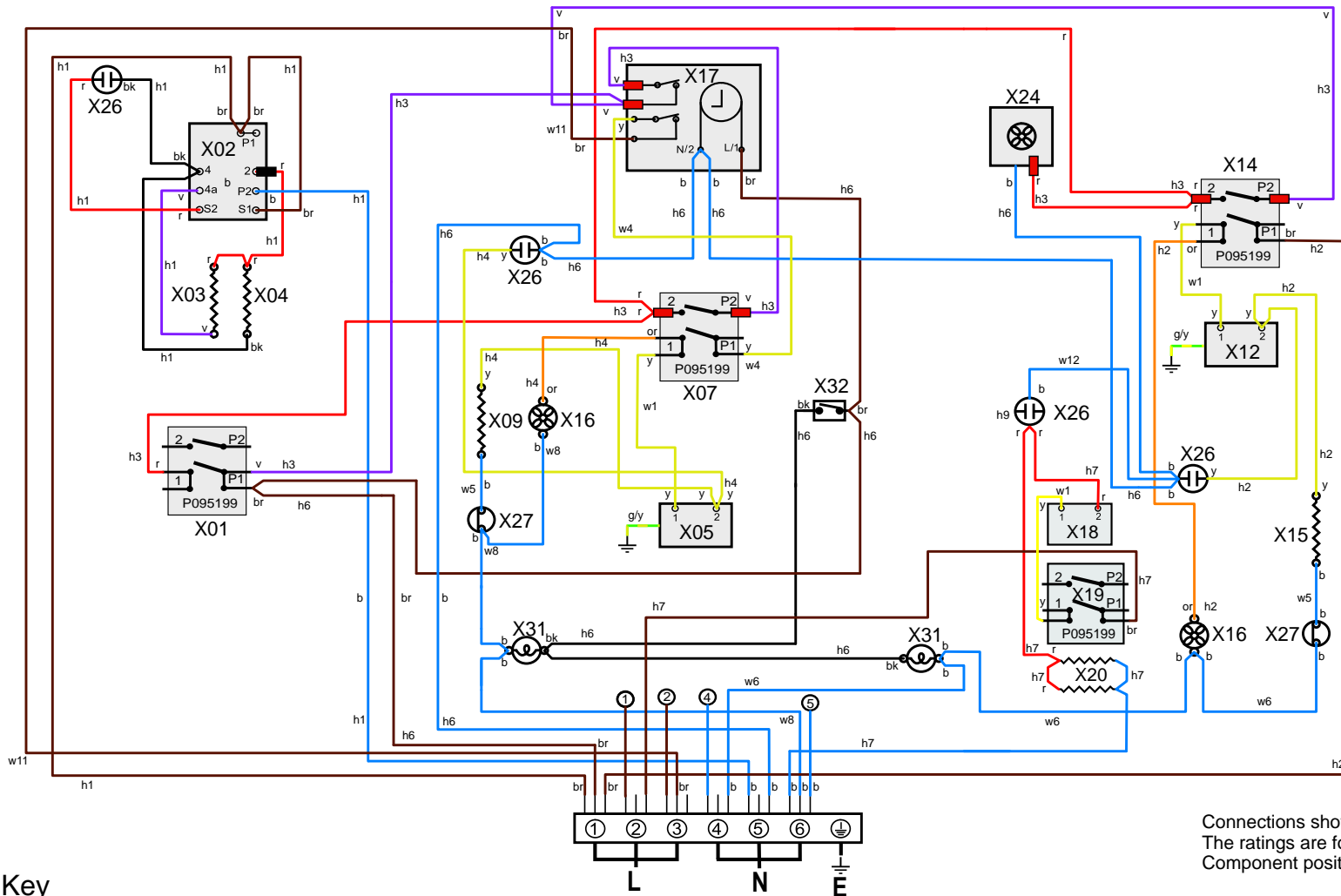
LH OVEN PORTHOLE DOOR



**RH OVEN PORTHOLE DOOR**



**SIDE PANELS AND PLINTH**



### Wiring Colour Codes

| Code | Colour         |
|------|----------------|
| b    | Blue           |
| br   | Brown          |
| bk   | Black          |
| or   | Orange         |
| r    | Red            |
| v    | Violet         |
| w    | White          |
| y    | Yellow         |
| g/y  | Green / Yellow |

Connections shown in the circuit diagram are for single-phase. The ratings are for 230V 50 Hz. Component positions viewed from the front off the cooker.

### Key

| Code | Description                 | Code | Description                  | Code | Description            |
|------|-----------------------------|------|------------------------------|------|------------------------|
| X01  | Grill Front Switch          | X12  | Right Hand Oven Thermostat   | X20  | Slow Cook Oven Element |
| X02  | Grill Energy Regulator      | X14  | Right Hand Oven Front Switch | X24  | Cooling Fan            |
| X03  | Left Hand Grill Element     | X15  | Right Hand Oven Fan Element  | X26  | Neon                   |
| X04  | Right Hand Grill Element    | X16  | Oven Fan                     | X27  | Thermal Cut-Out        |
| X05  | Left Hand Oven Thermostat   | X17  | Clock / Timer                | X31  | Oven Light             |
| X07  | Left Hand Oven Front Switch | X18  | Slow Cook Oven Thermostat    | X32  | Oven Light Switch      |
| X09  | Left Hand Oven Fan Element  | X19  | Slow Cook Oven Front Switch  |      |                        |

## WIRING