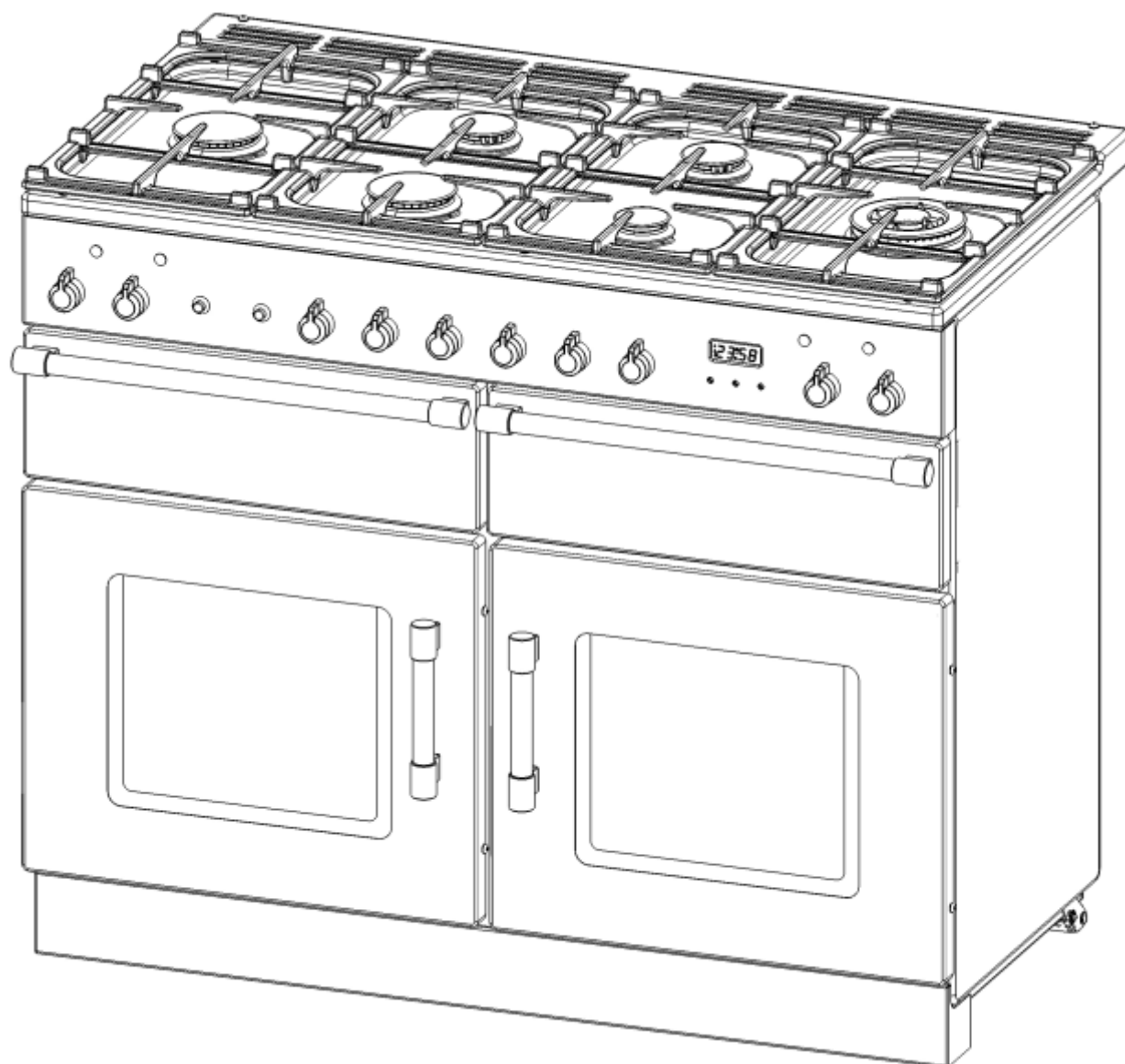


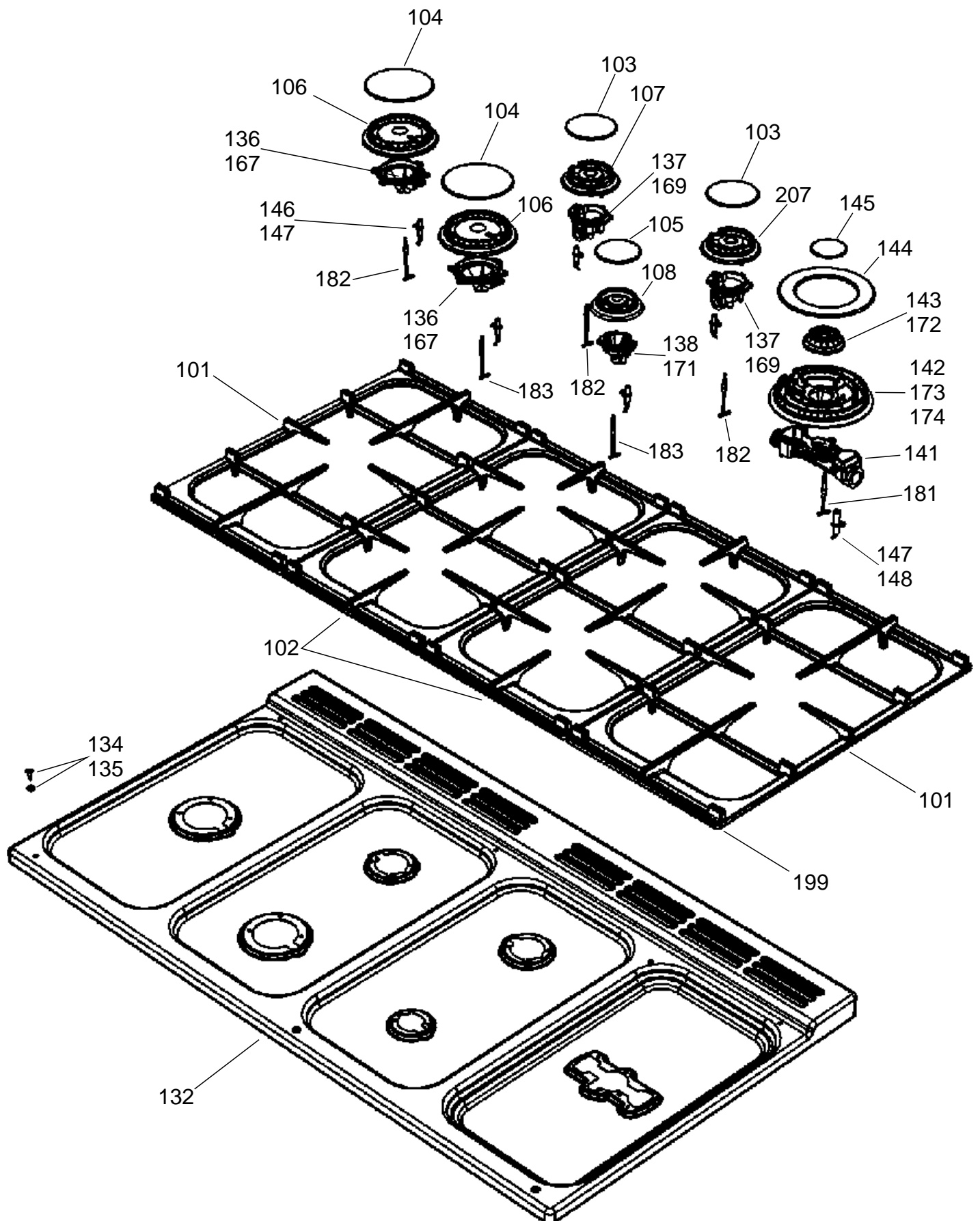
**RANGEMASTER / FALCON
ESPRIT 110 DUAL FUEL**

ISSUE: 01

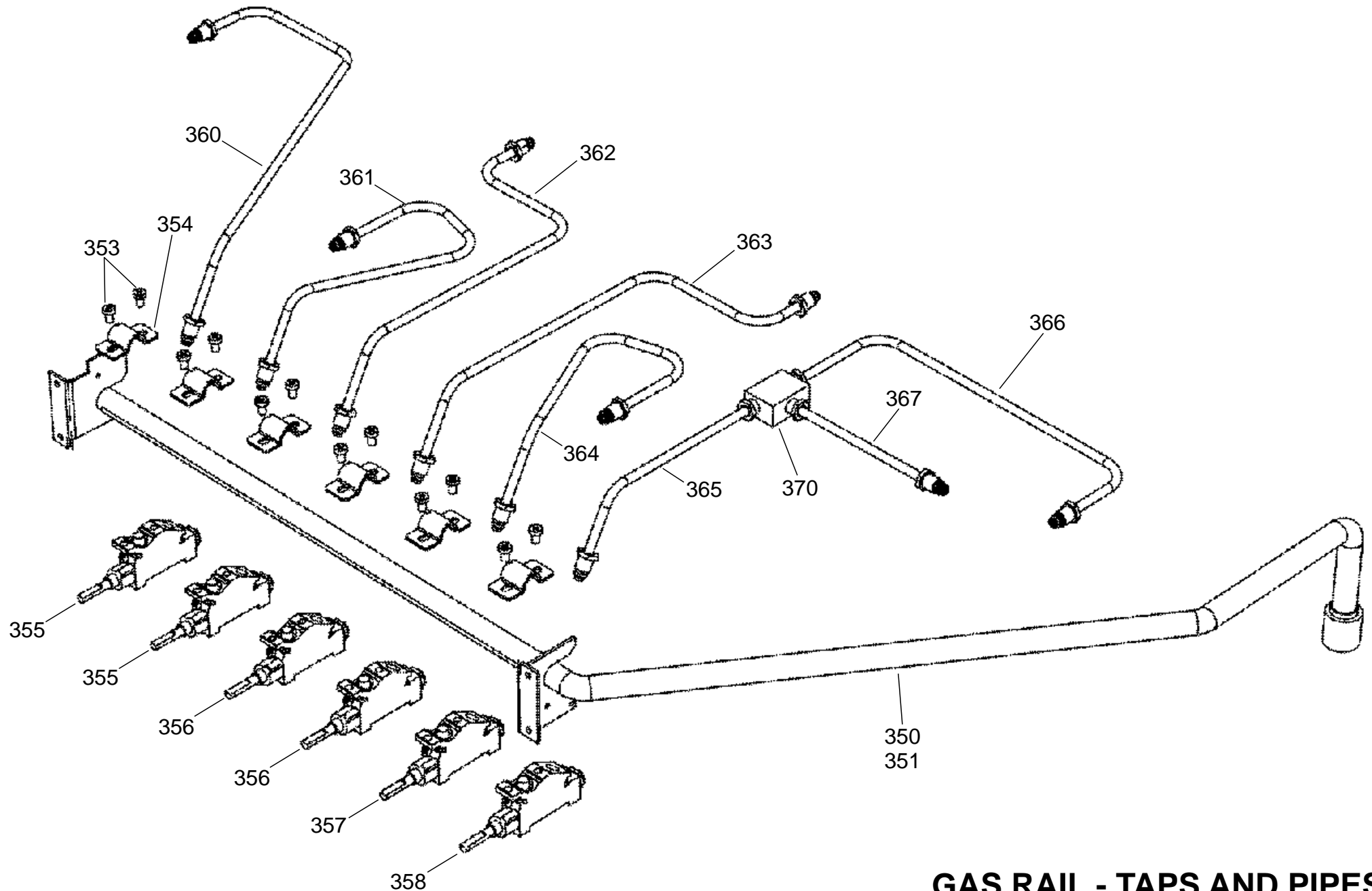
DSL0811 P00

DATE: 03.03.2020

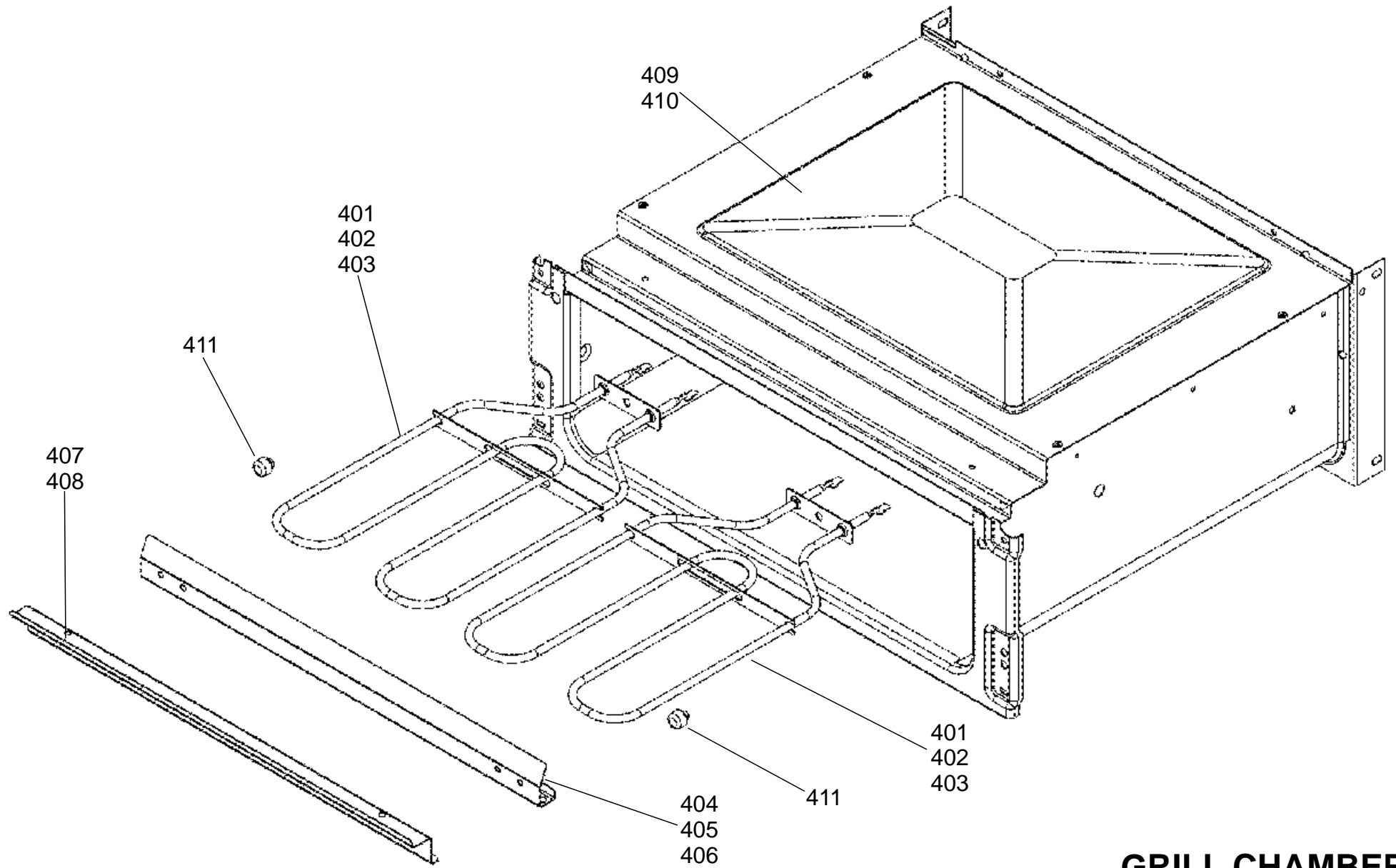




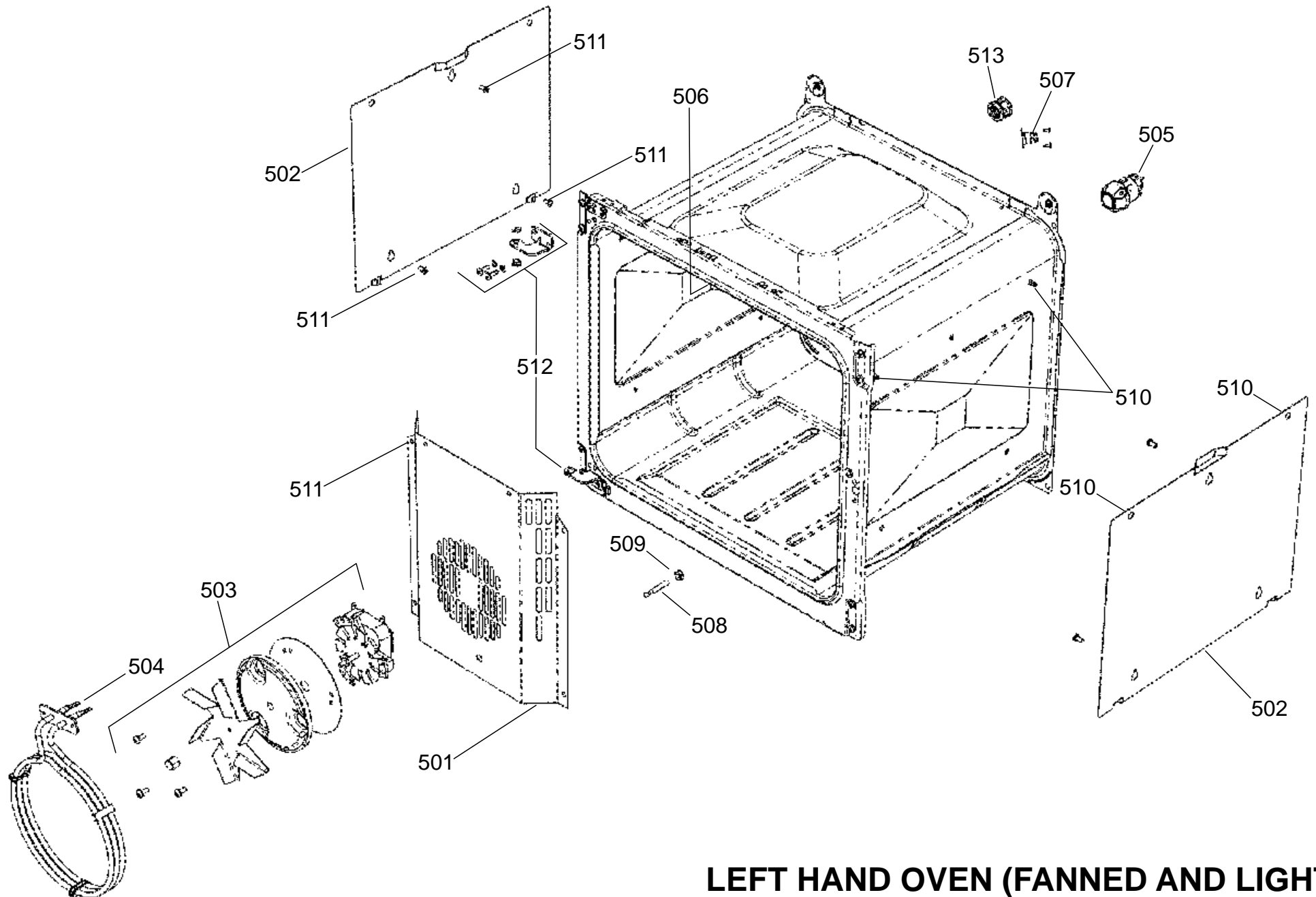
PAN SUPPORTS
BURNERS & HOTPLATE ASSEMBLY



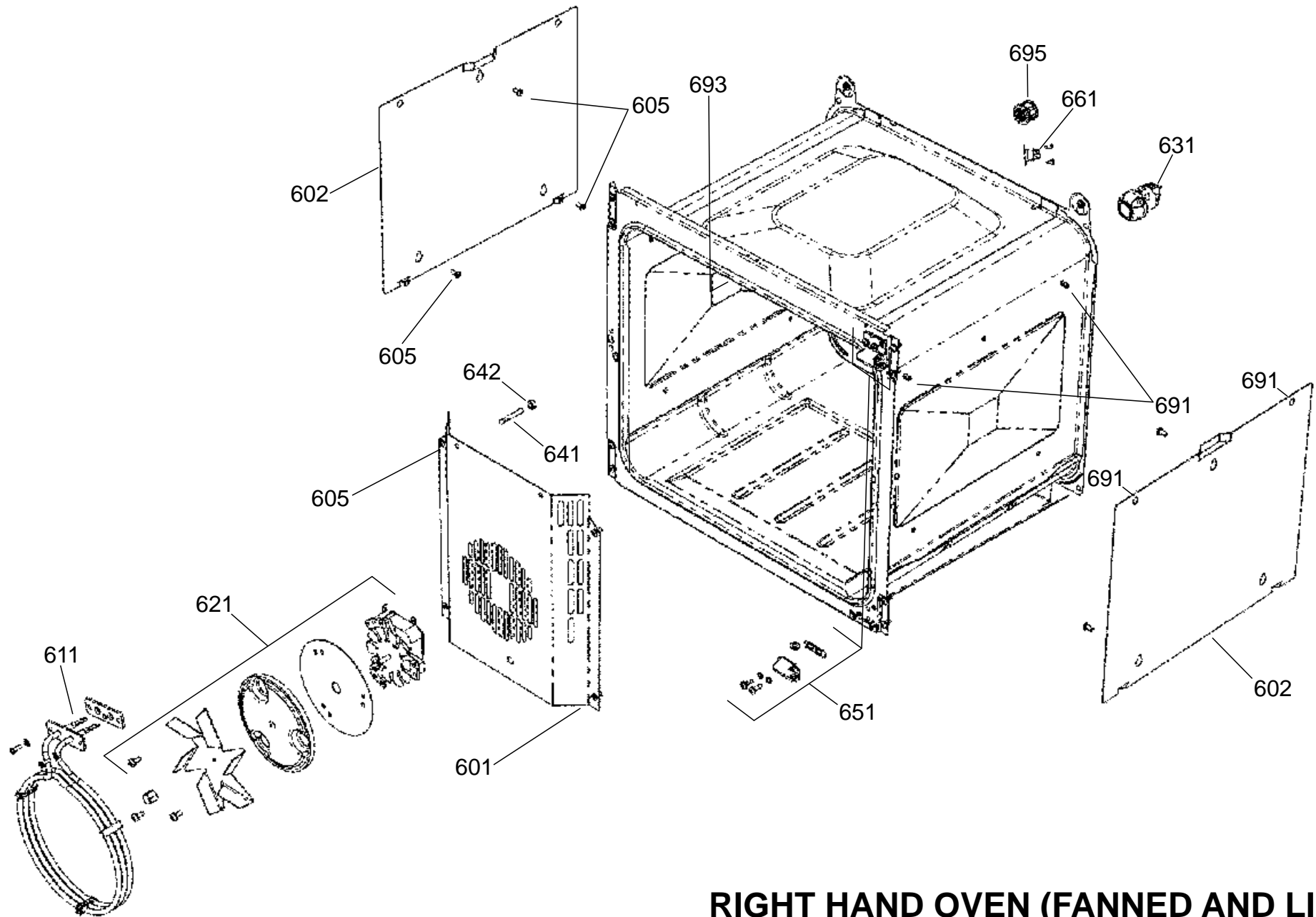
GAS RAIL - TAPS AND PIPES



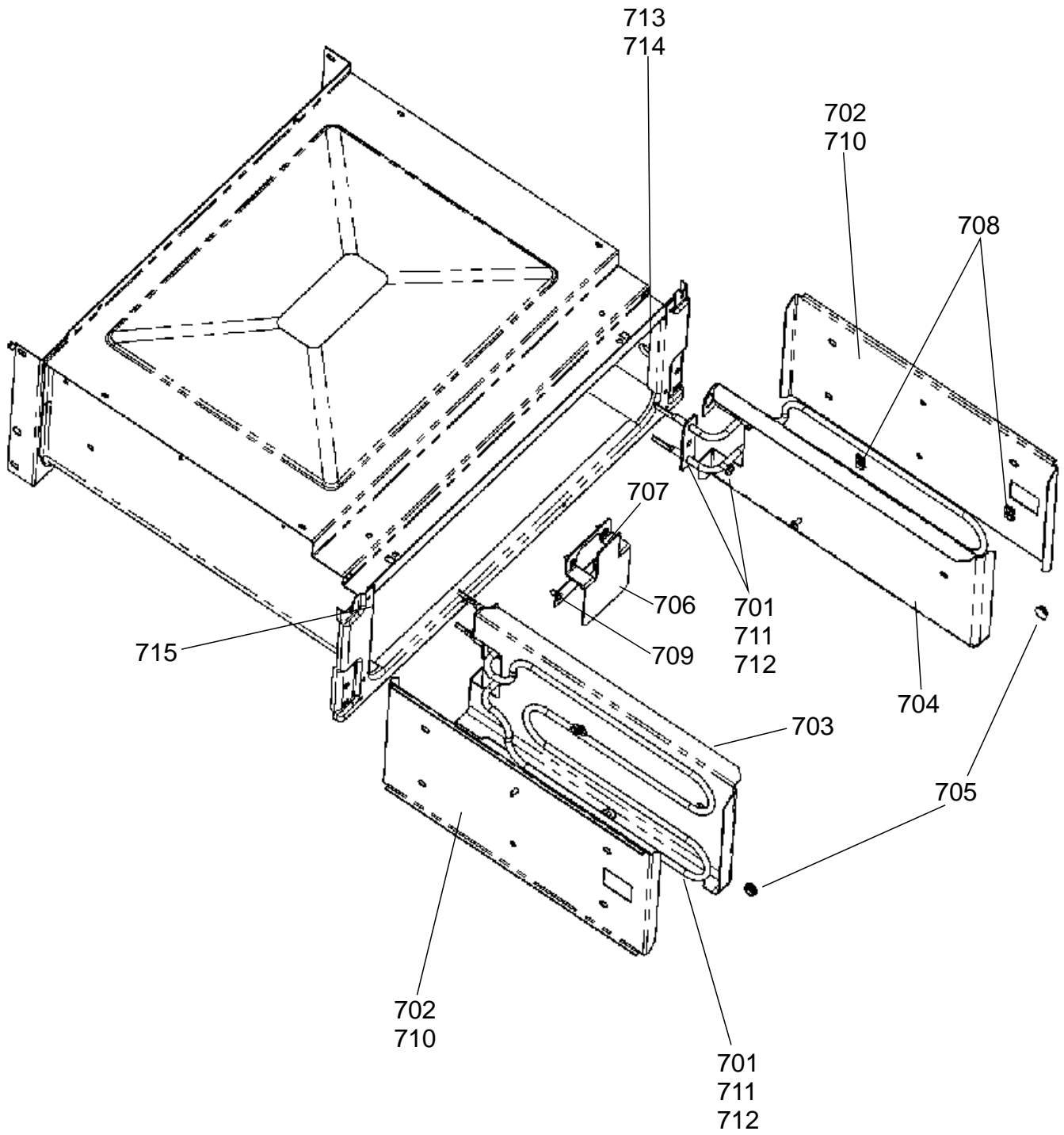
GRILL CHAMBER



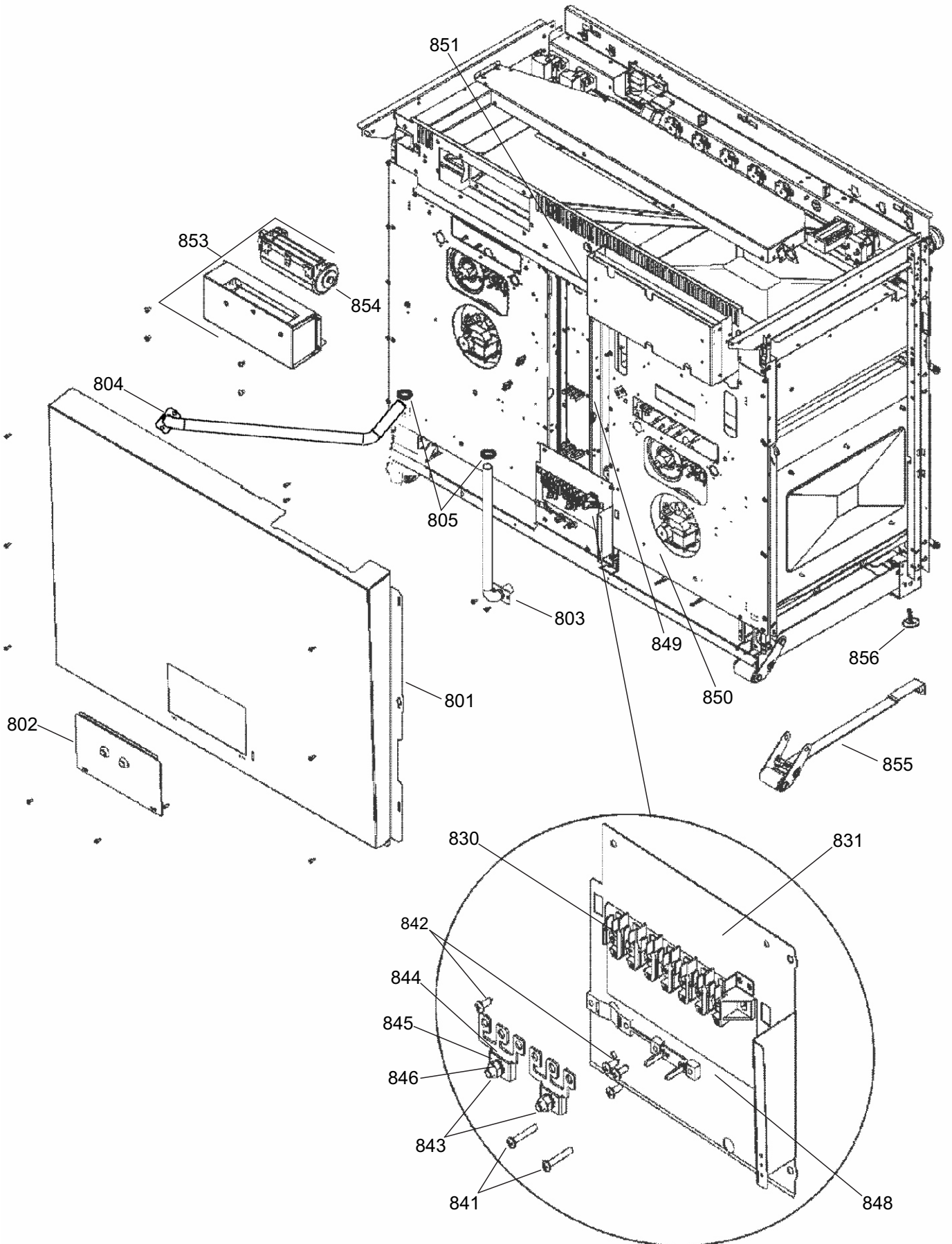
LEFT HAND OVEN (FANNED AND LIGHT)



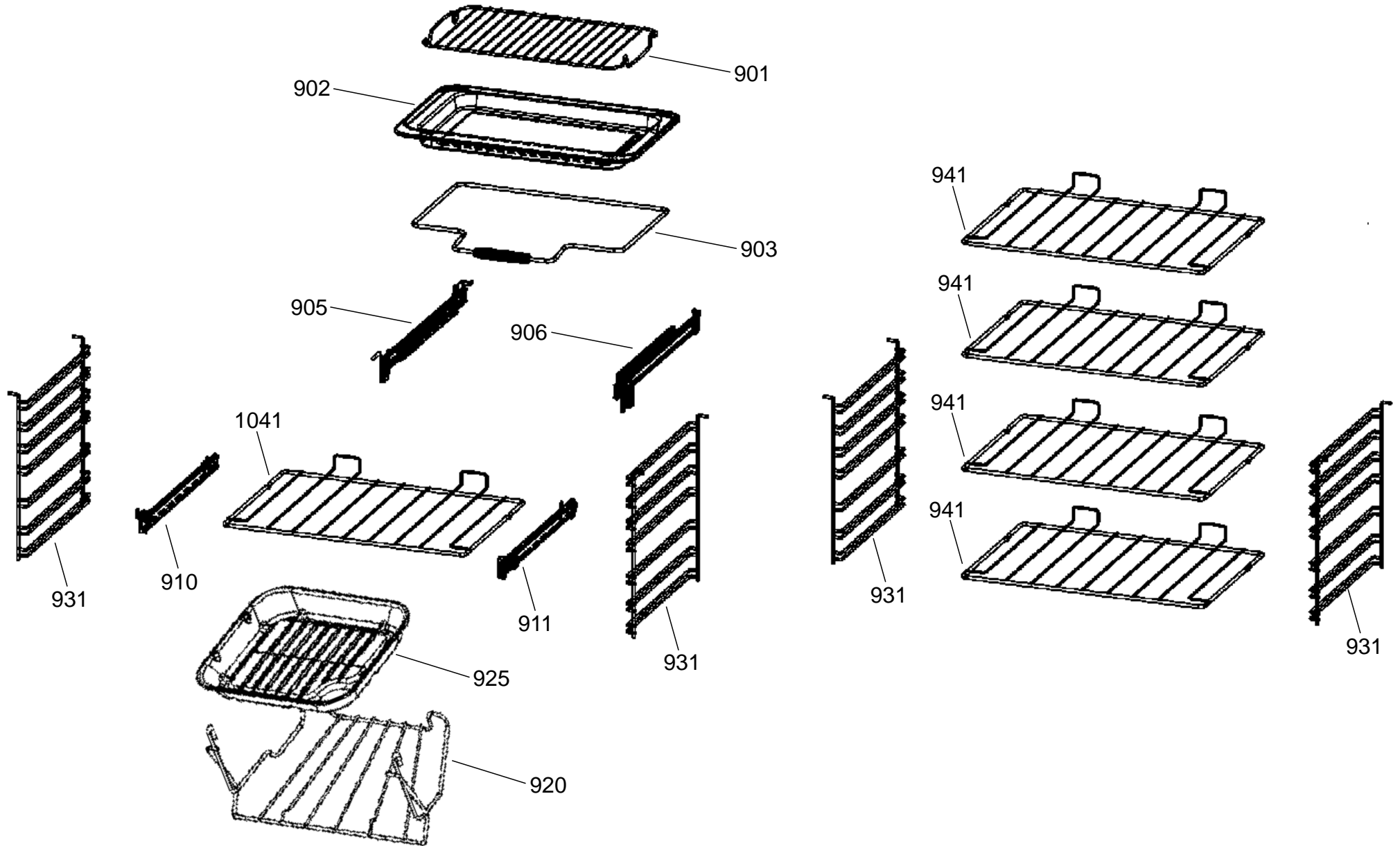
RIGHT HAND OVEN (FANNED AND LIGHT)



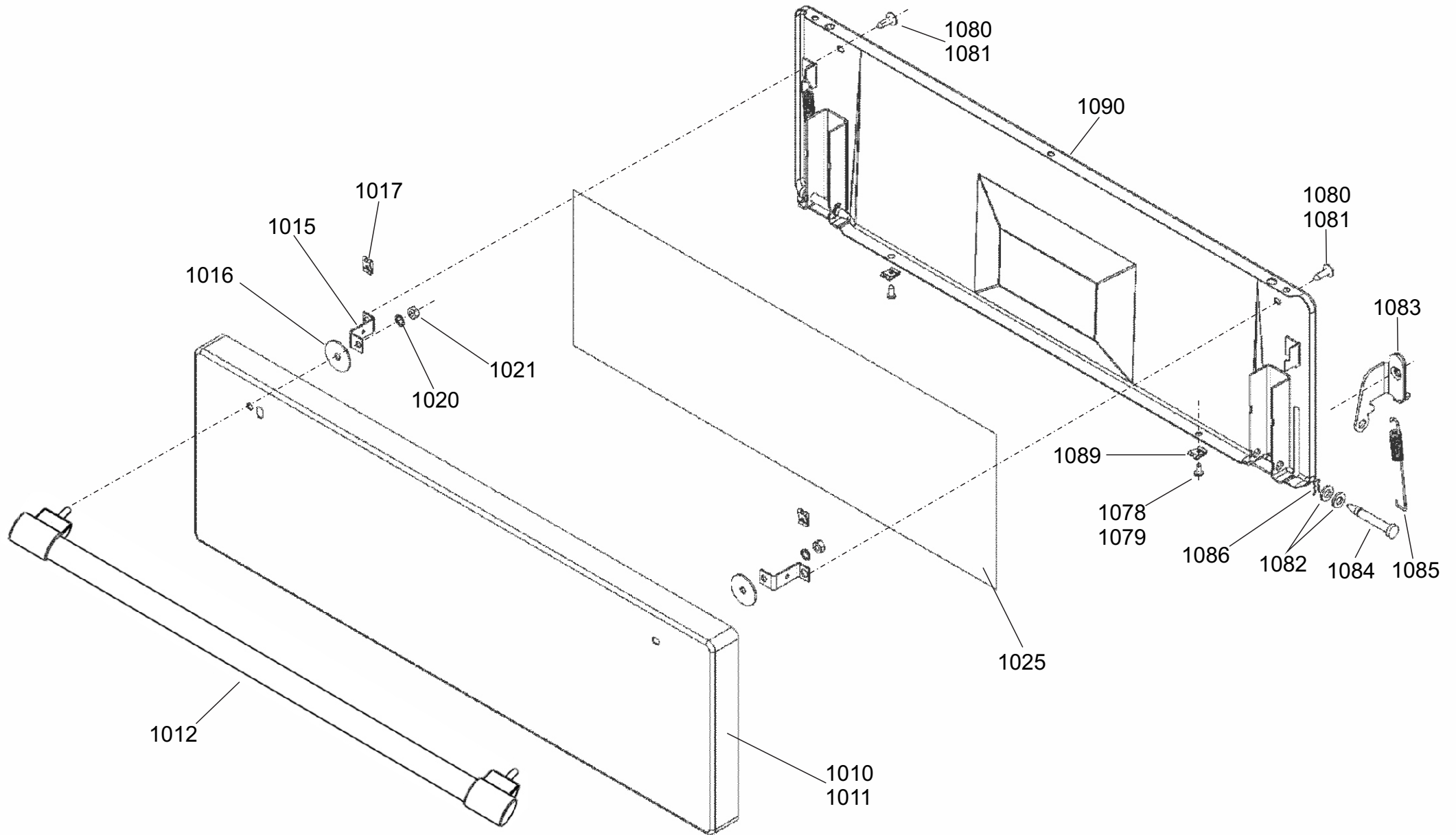
SLOW COOK OVEN



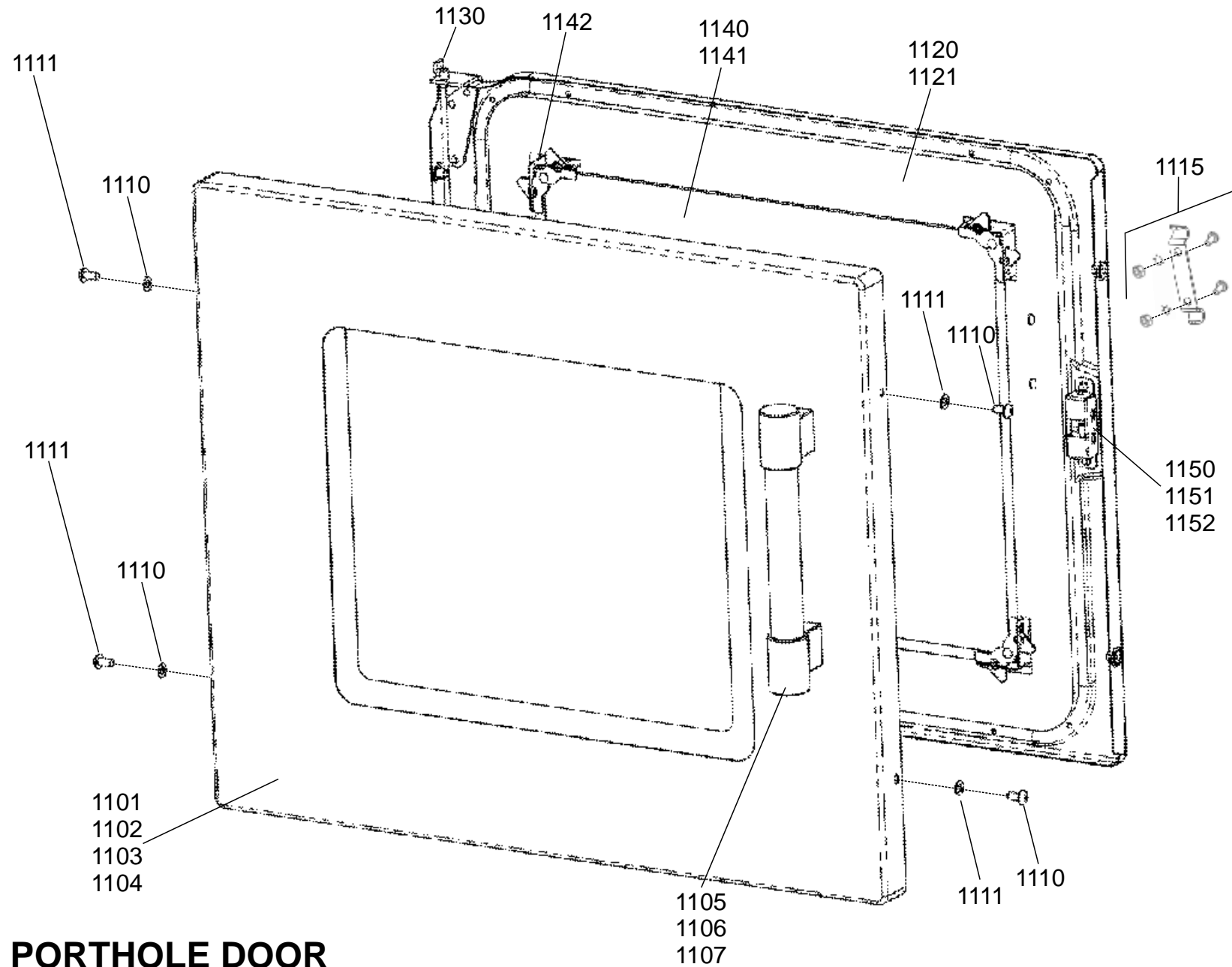
COOKER BACK AND ELECTRICAL



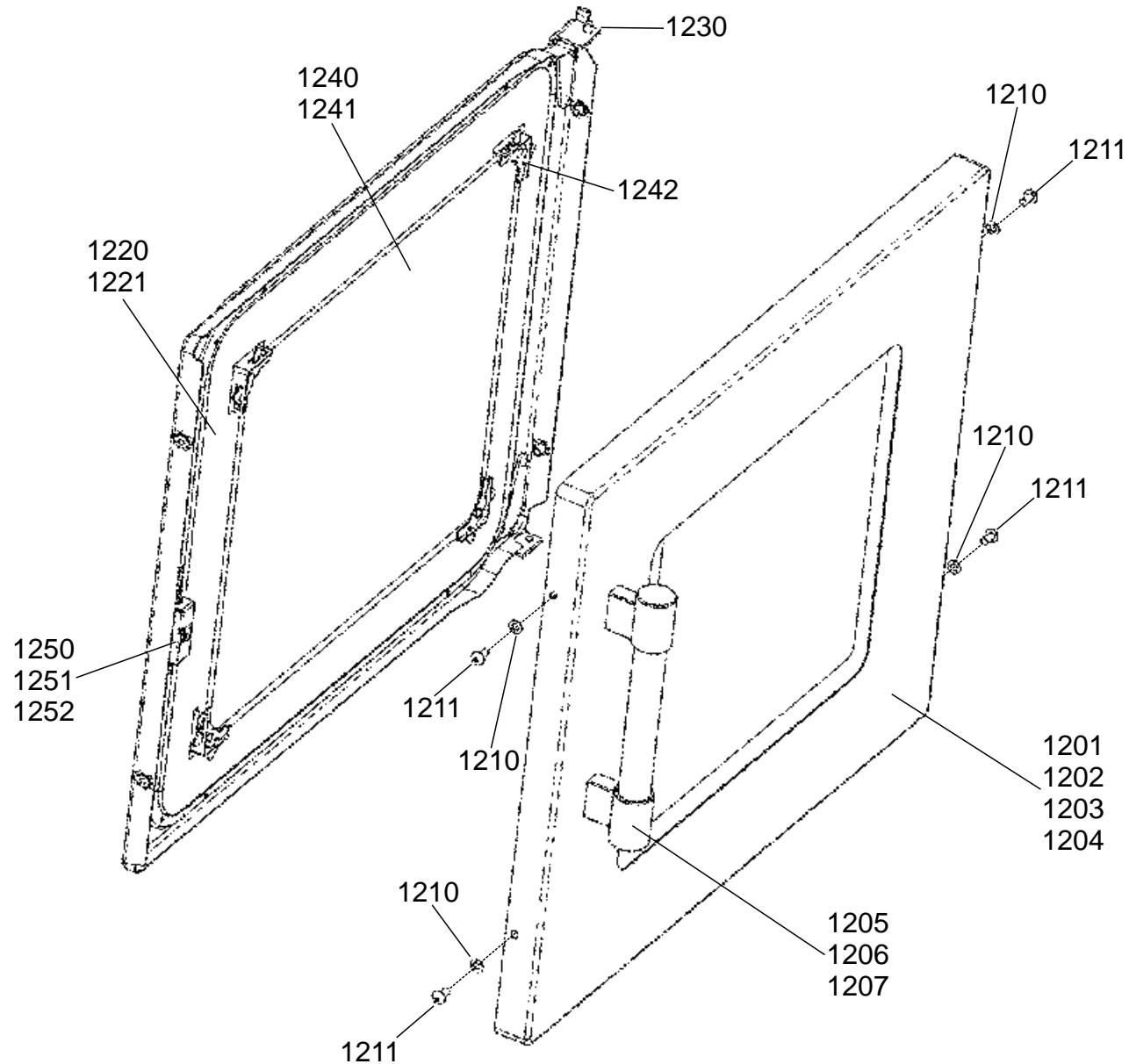
OVEN AND GRILL ACCESSORIES



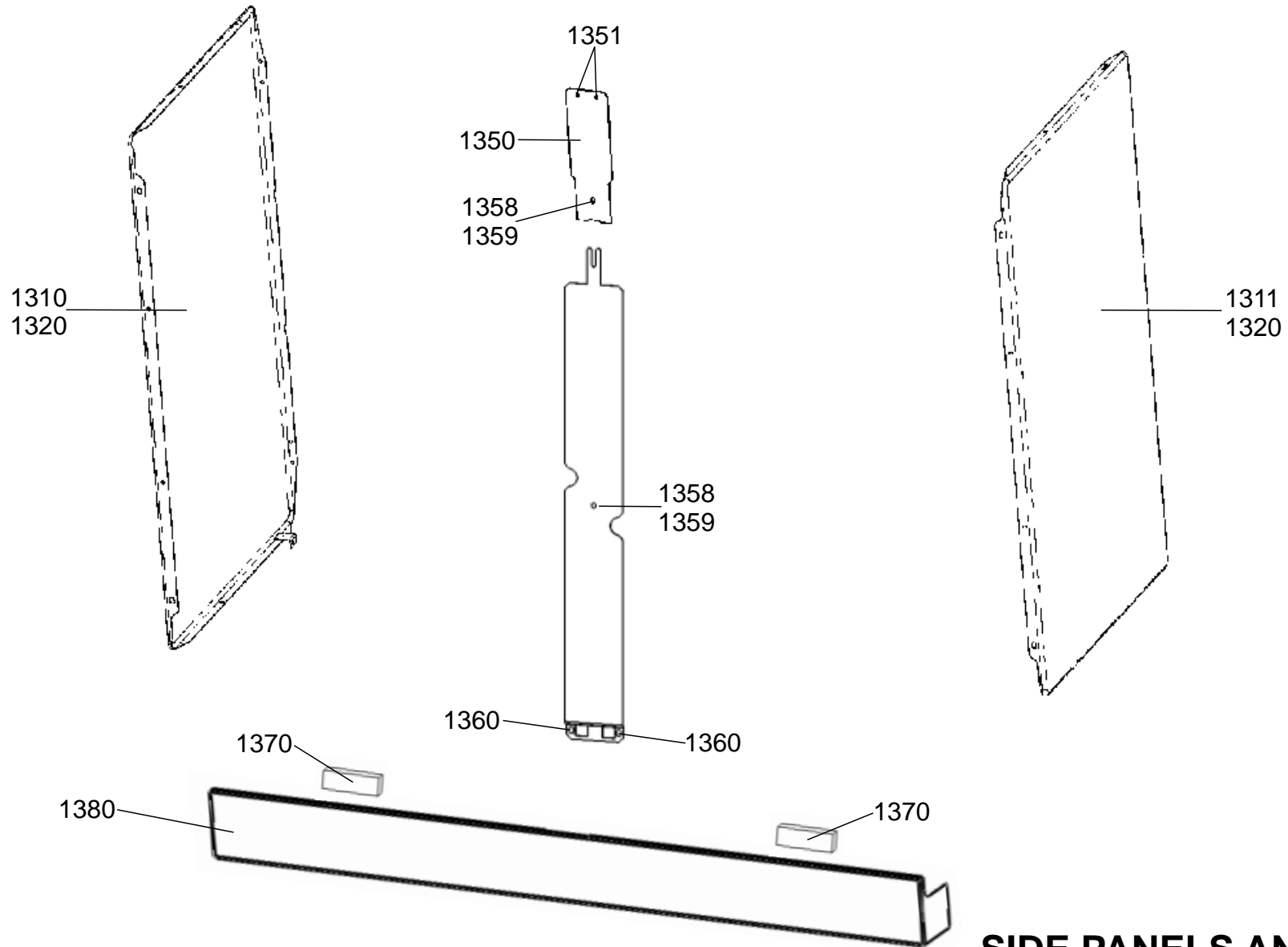
GRILL AND SLOW COOK DOOR



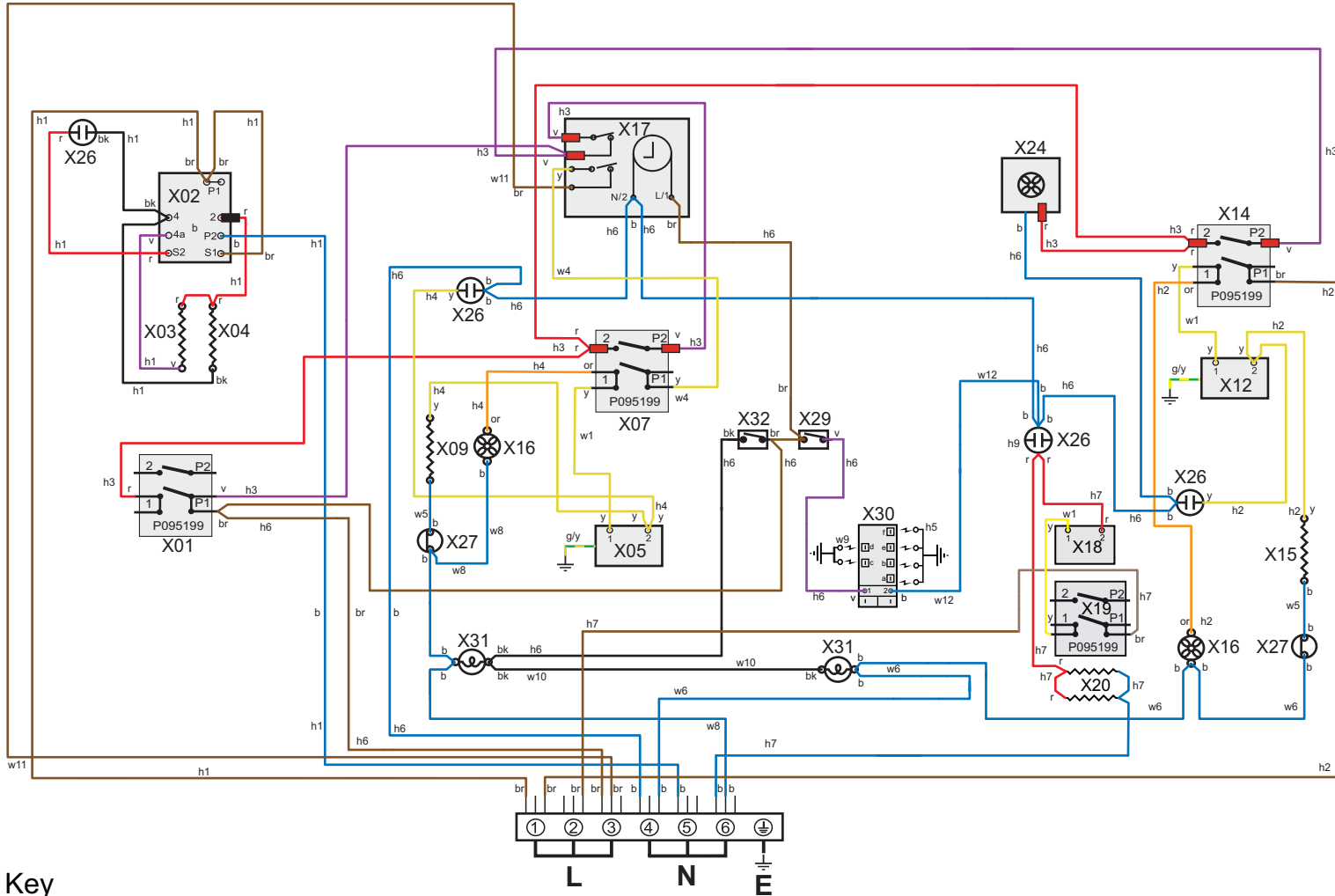
LH OVEN PORTHOLE DOOR



RH OVEN PORTHOLE DOOR



SIDE PANELS AND PLINTH



| Code | Colour |
|------|----------------|
| b | Blue |
| br | Brown |
| bk | Black |
| or | Orange |
| r | Red |
| v | Violet |
| w | White |
| y | Yellow |
| g/y | Green / Yellow |

Key

| Code | Description | Code | Description | Code | Description |
|------|-----------------------------|------|------------------------------|------|-------------------|
| X01 | Grill Front Switch | X14 | Right Hand Oven Front Switch | X24 | Cooling Fan |
| X02 | Grill Energy Regulator | X15 | Right Hand Oven Fan Element | X26 | Neon |
| X03 | Left Hand Grill Element | X16 | Oven Fan | X27 | Thermal Cut-Out |
| X04 | Right Hand Grill Element | X17 | Clock / Timer | X29 | Ignition Switch |
| X05 | Left Hand Oven Thermostat | X18 | Slow Cook Oven Thermostat | X30 | Spark Generator |
| X07 | Left Hand Oven Front Switch | X19 | Slow Cook Oven Front Switch | X31 | Oven Light |
| X09 | Left Hand Oven Fan Element | X20 | Slow Cook Oven Element | X32 | Oven Light Switch |
| X12 | Right Hand Oven Thermostat | | | | |

Connections shown in the circuit diagram are for single-phase. The ratings are for 230V 50 Hz.