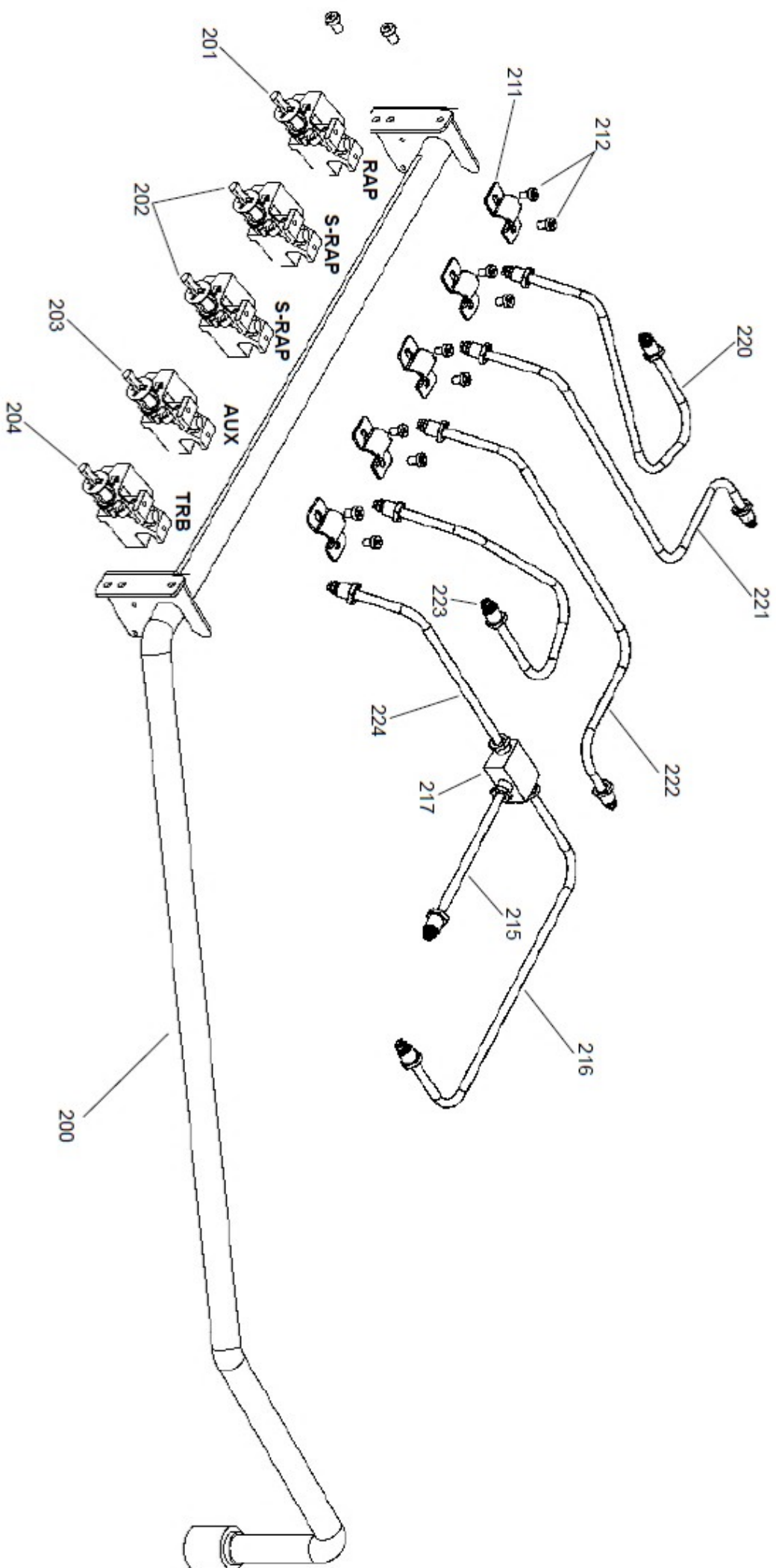
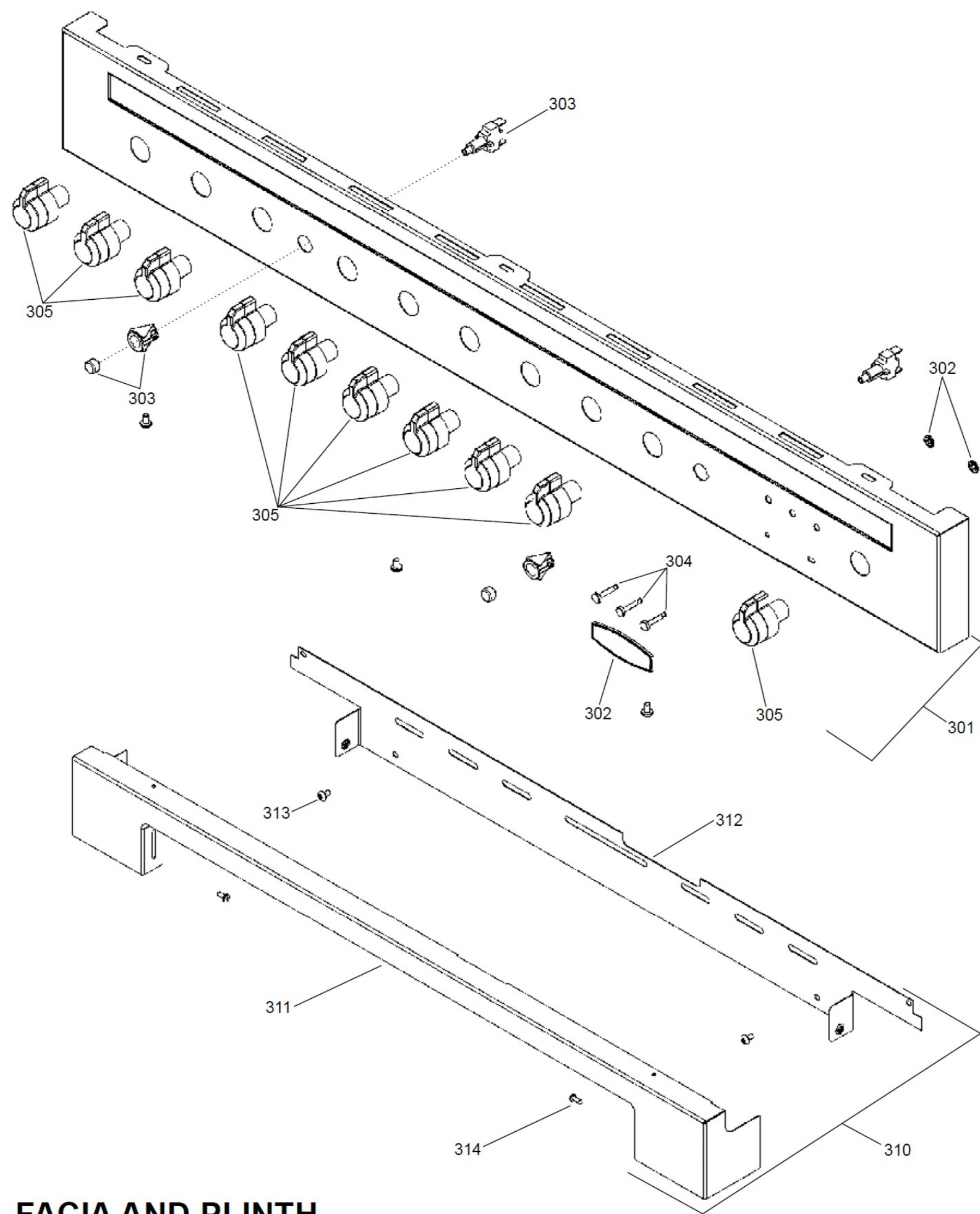
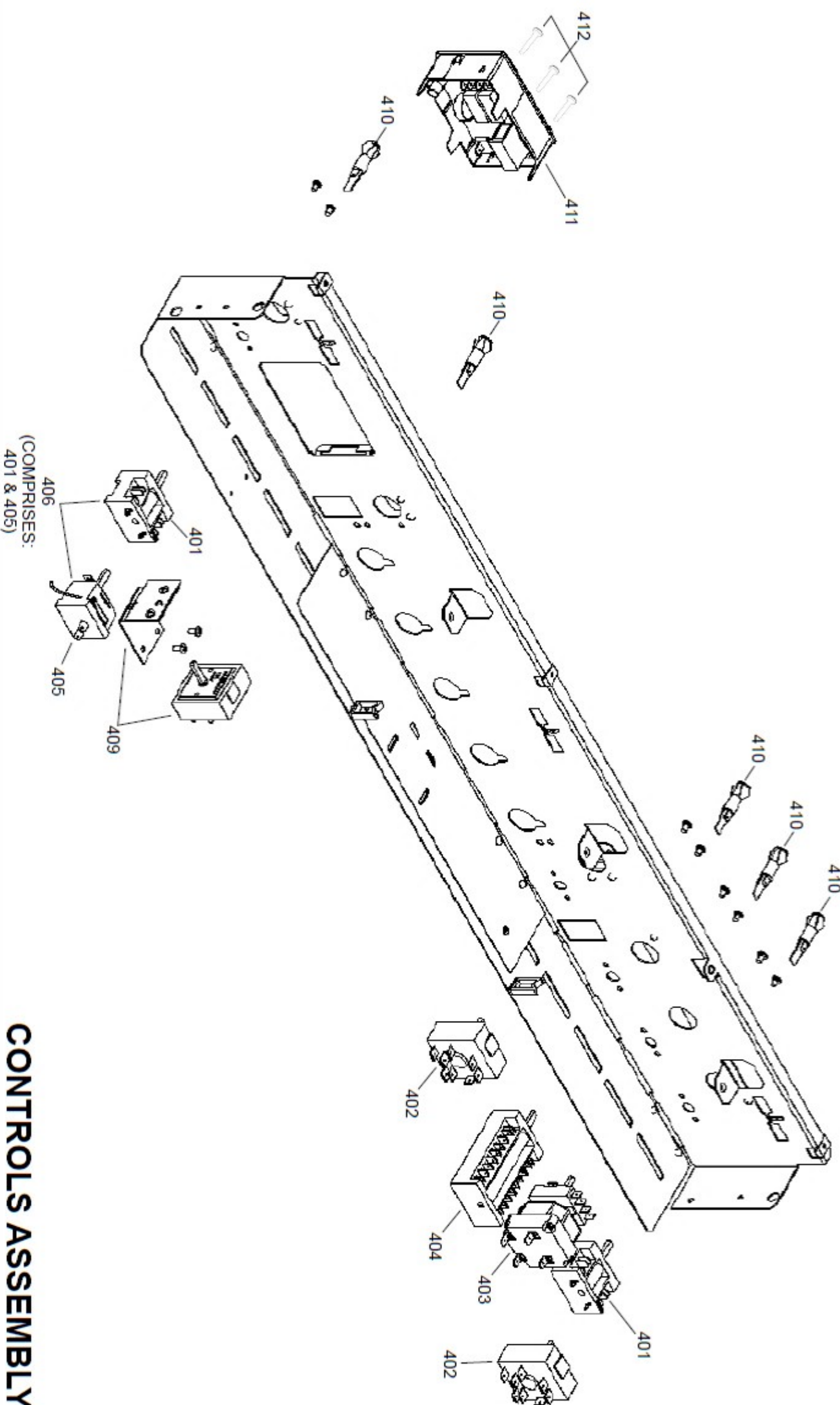


**PAN SUPPORTS
BURNERS & HOTPLATE ASSEMBLY**



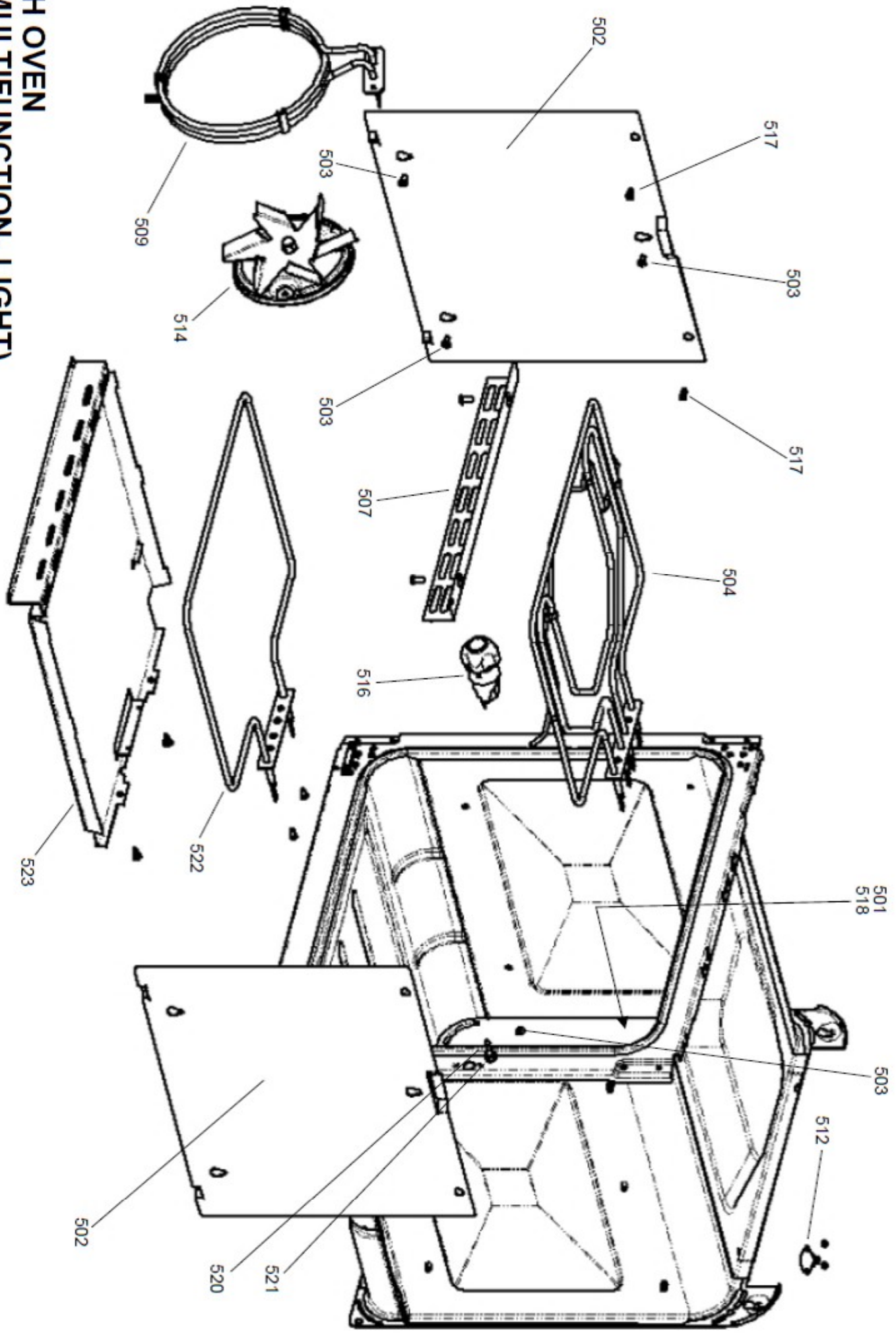


FACIA AND PLINTH

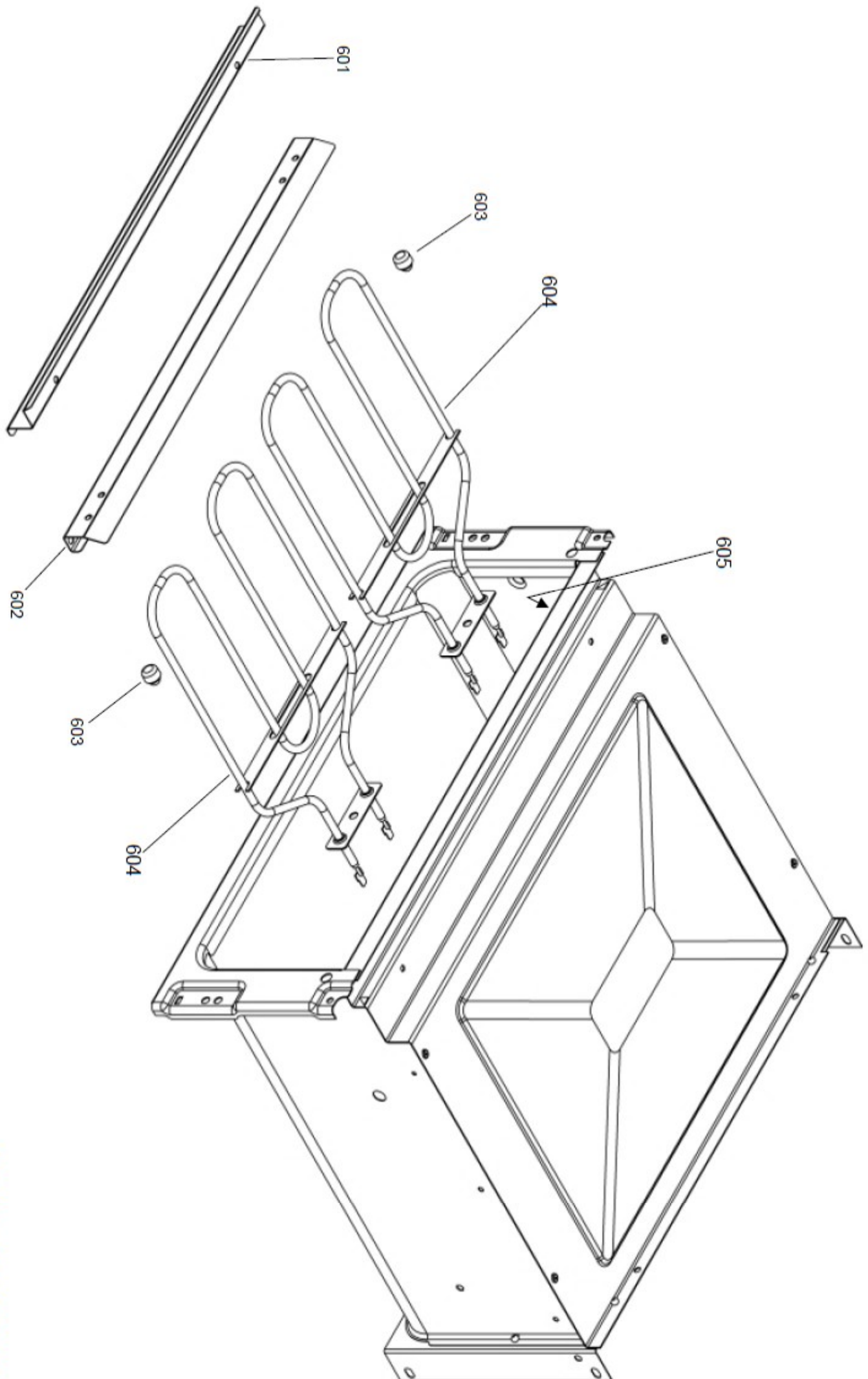


(COMPRISES:
401 & 405)

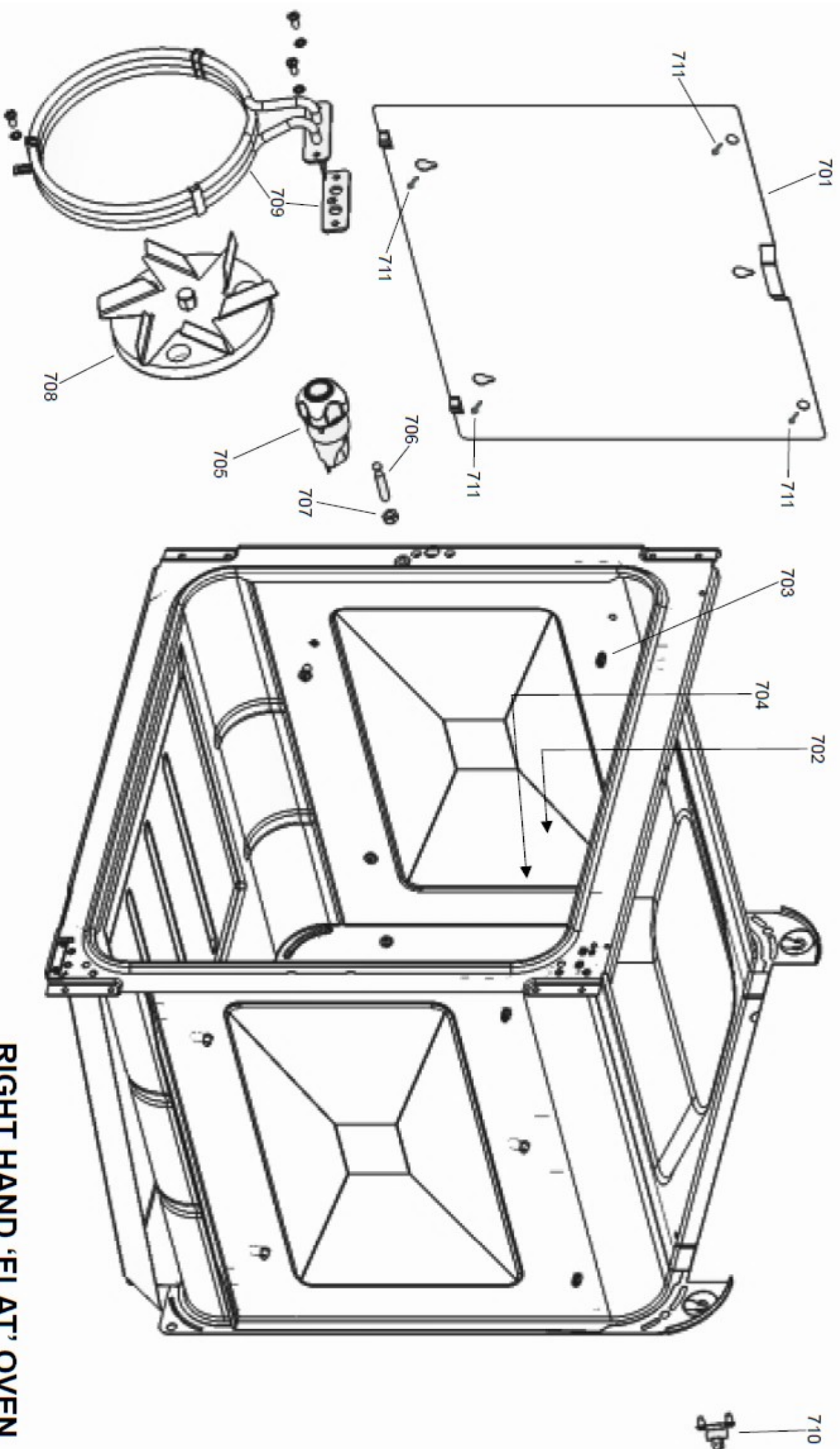
CONTROLS ASSEMBLY



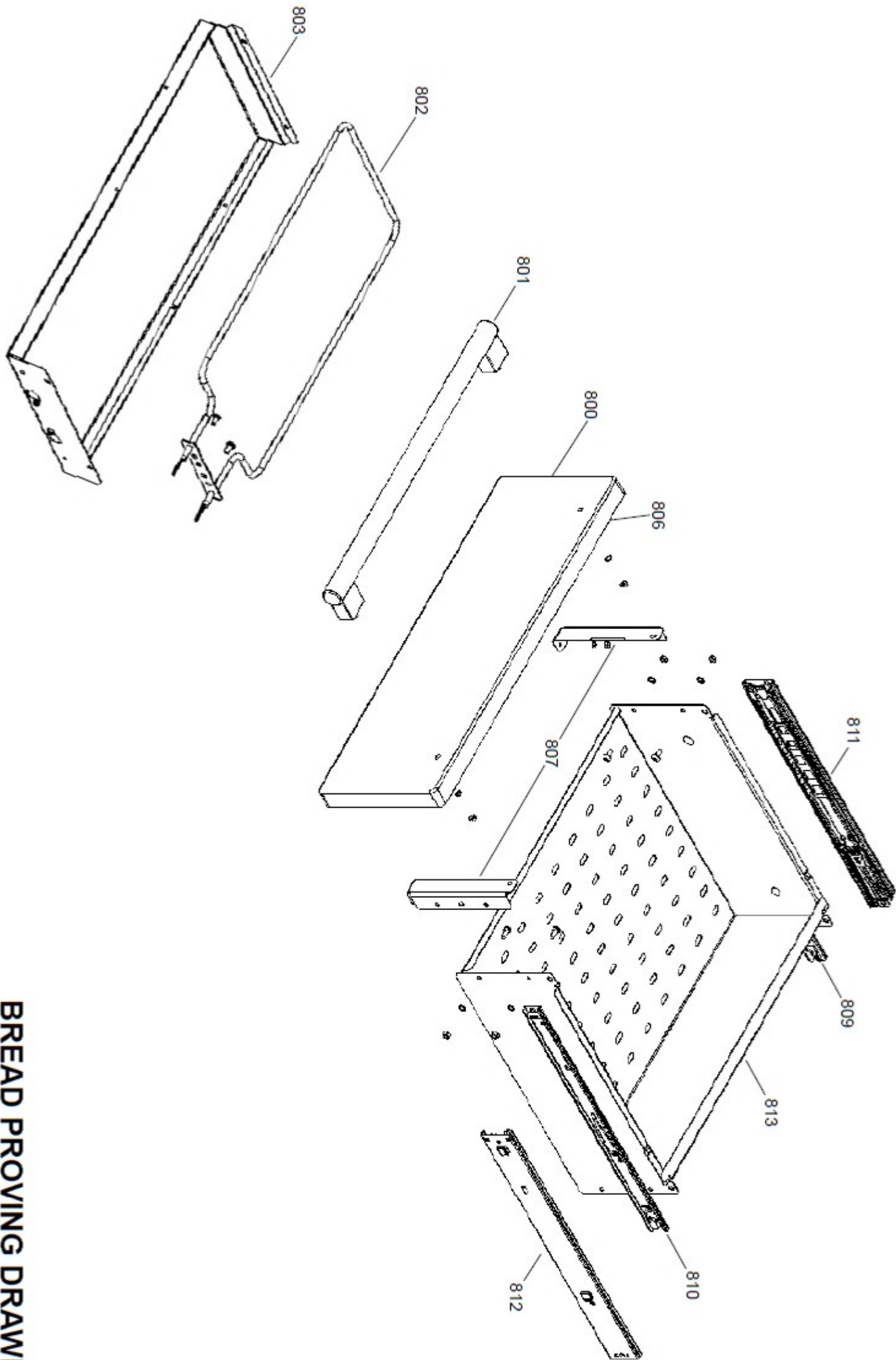
LH OVEN
(MULTIFUNCTION - LIGHT)



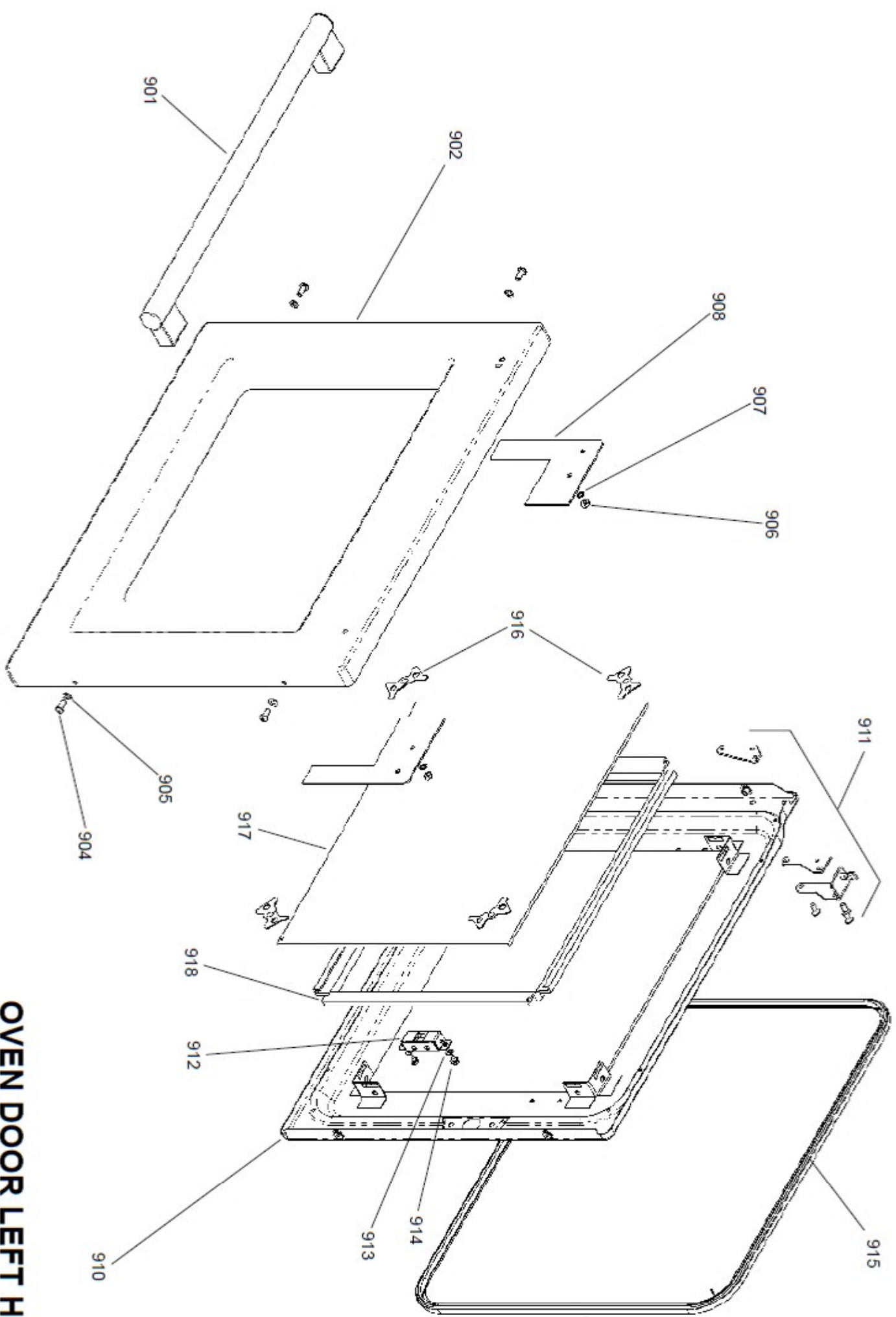
GRILL CHAMBER



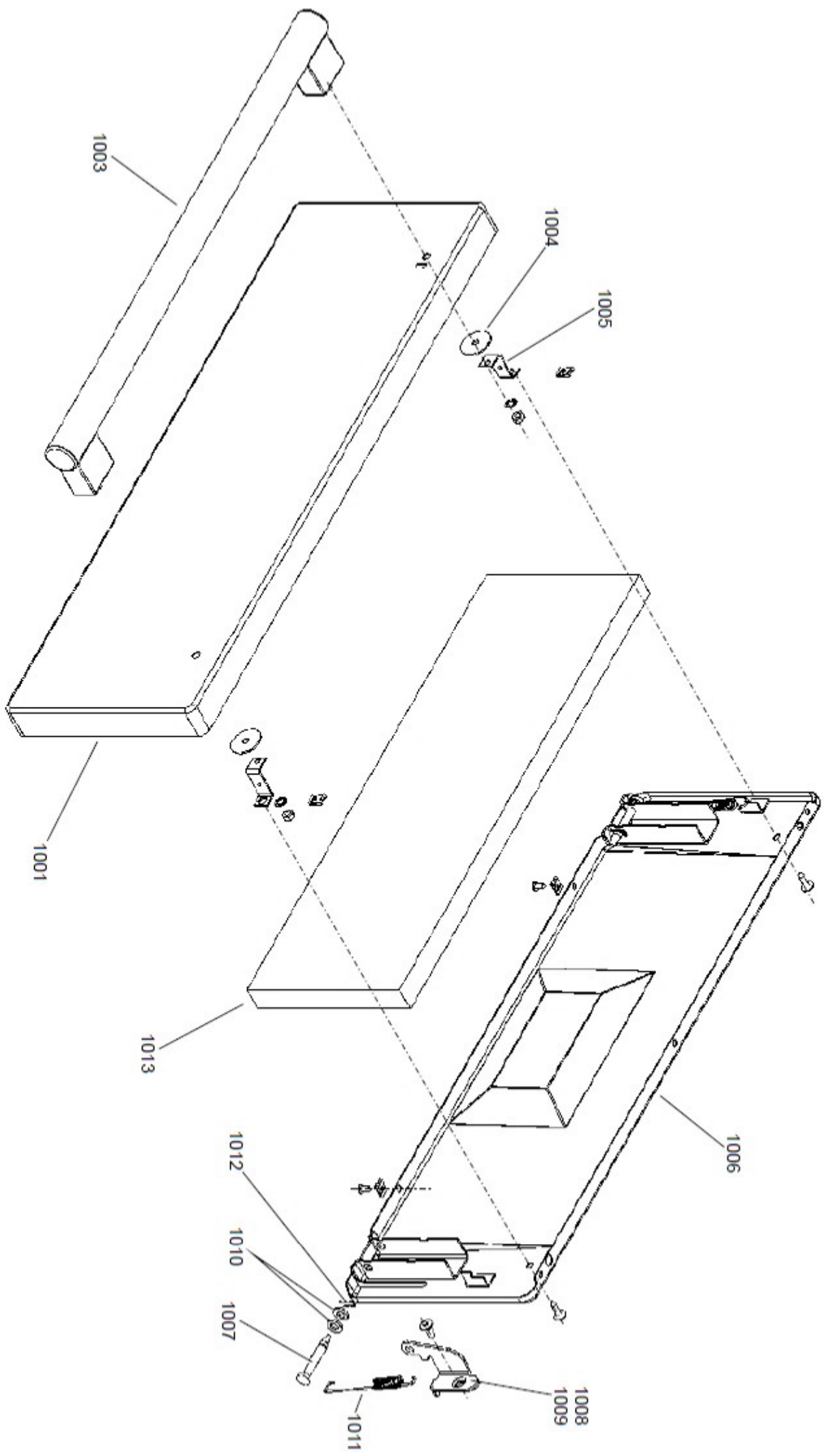
RIGHT HAND 'FLAT' OVEN
(FAN - LIGHT)



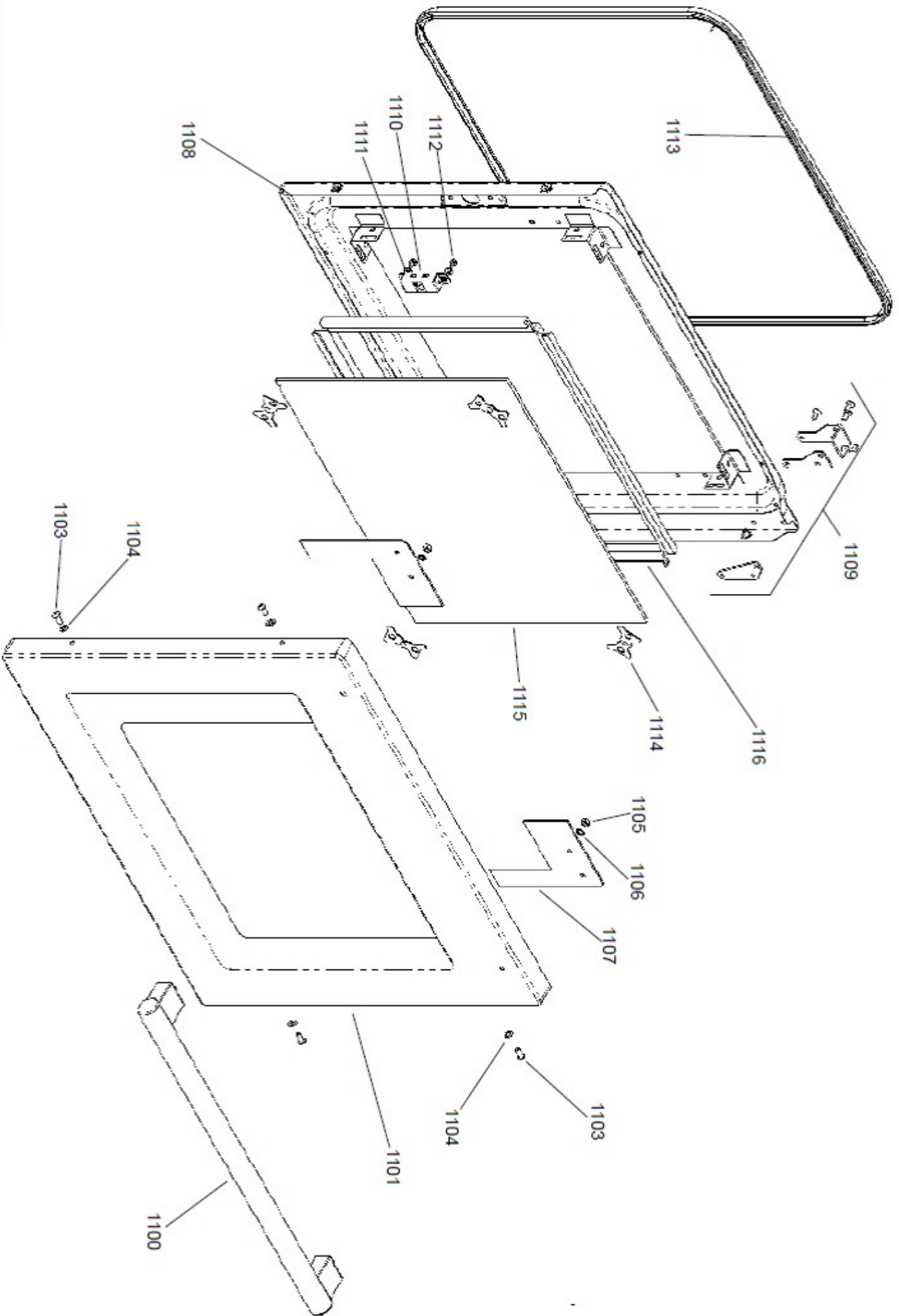
BREAD PROVING DRAWER



OVEN DOOR LEFT HAND

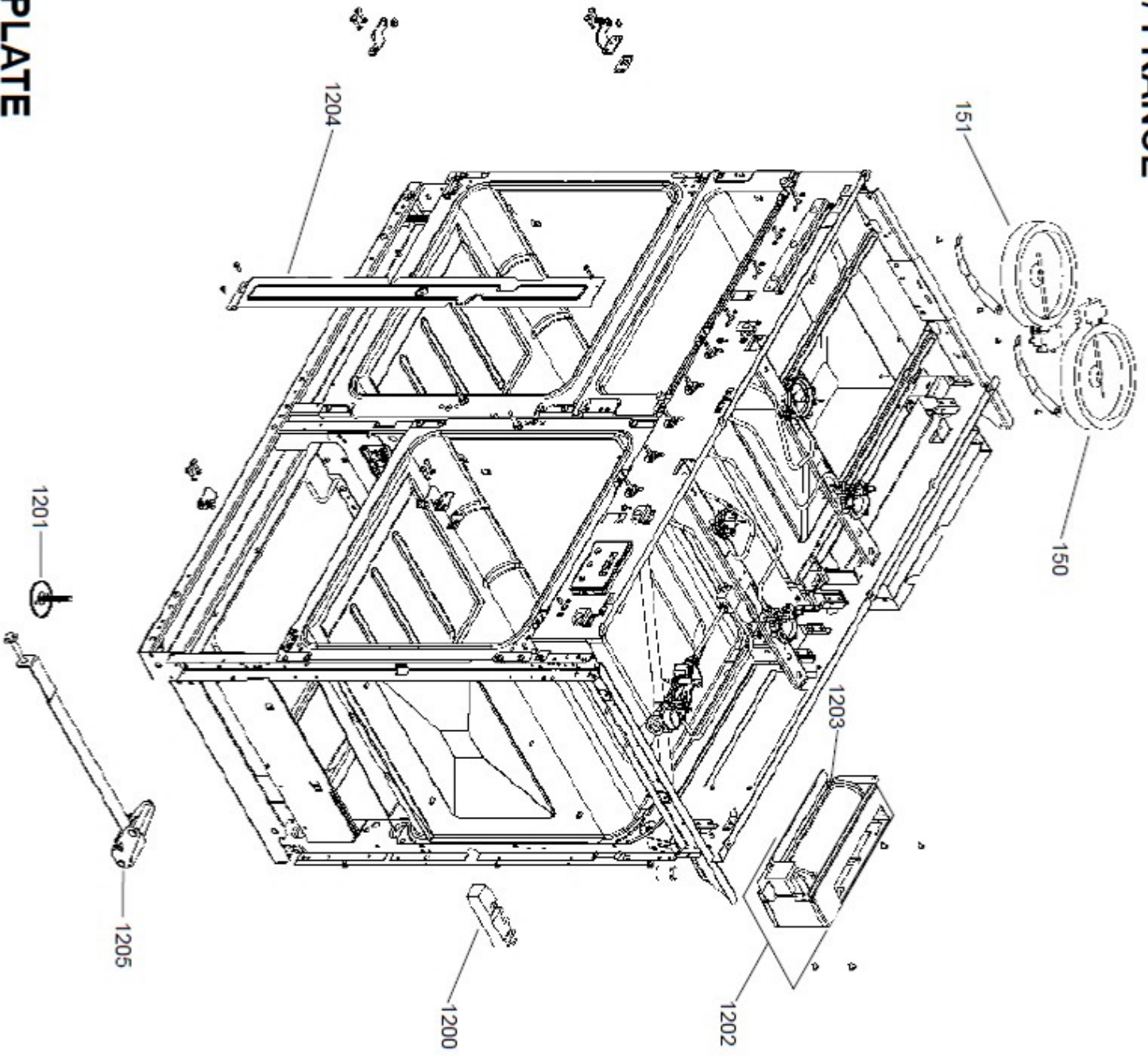


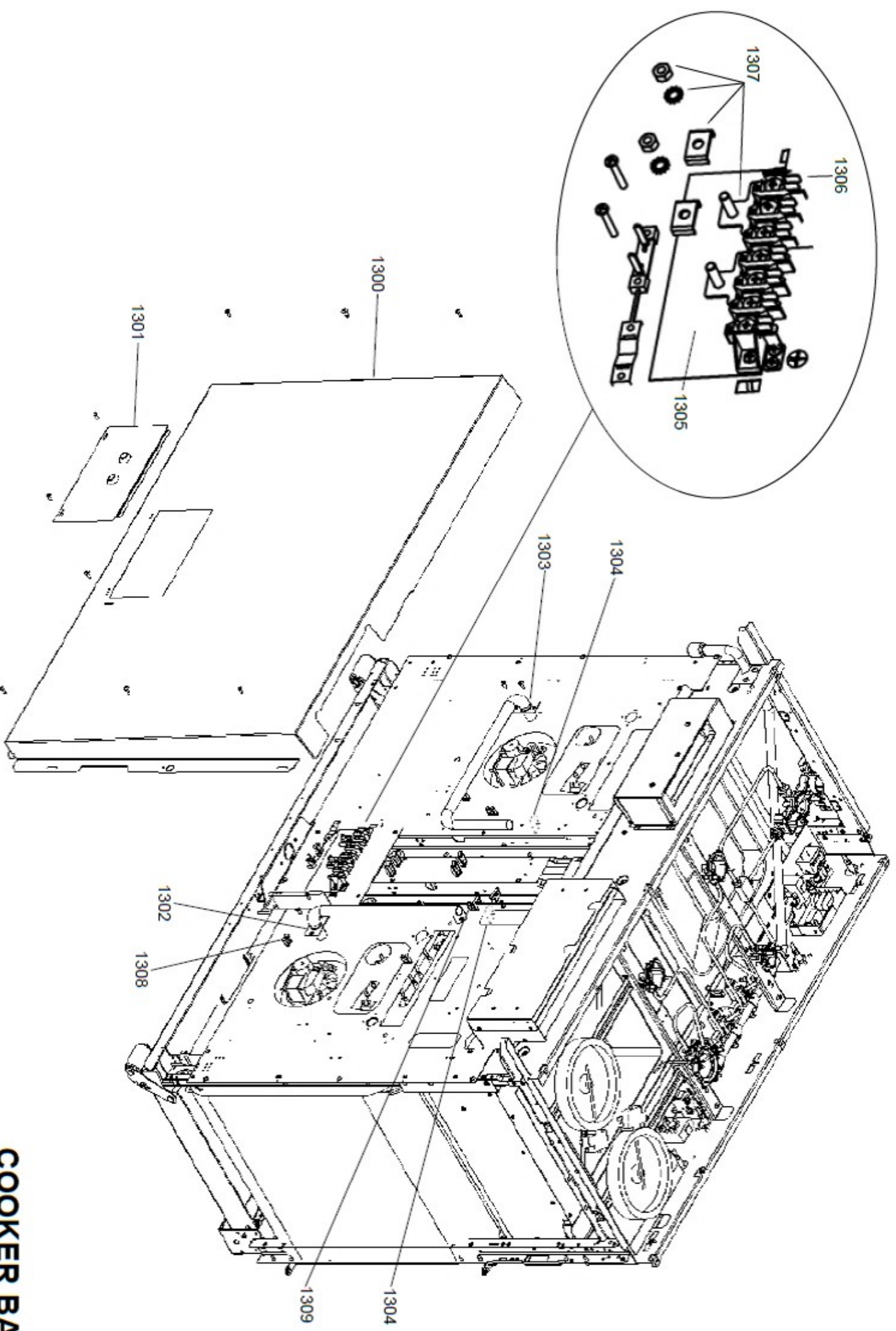
GRILL DOOR

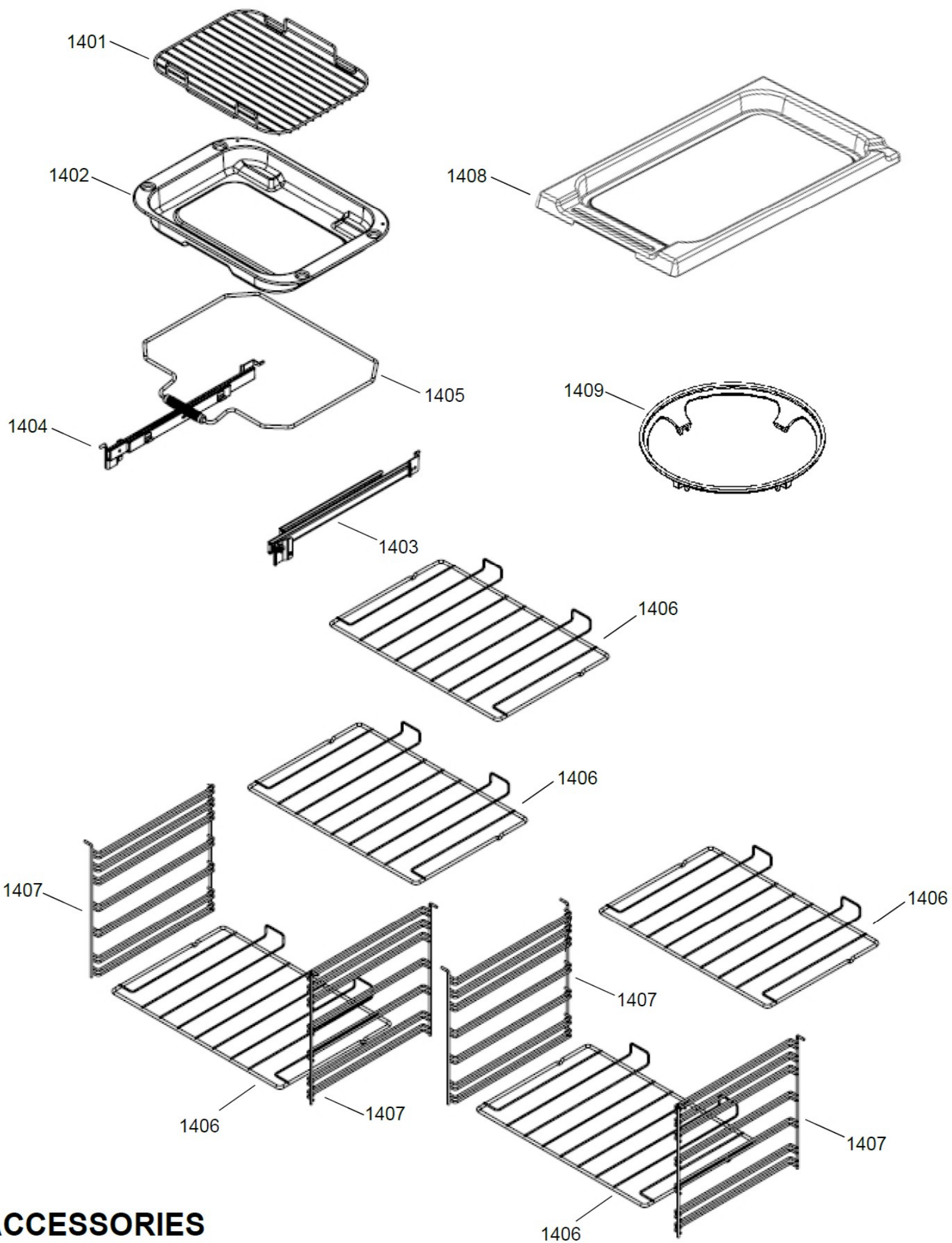


OVEN DOOR RIGHT HAND

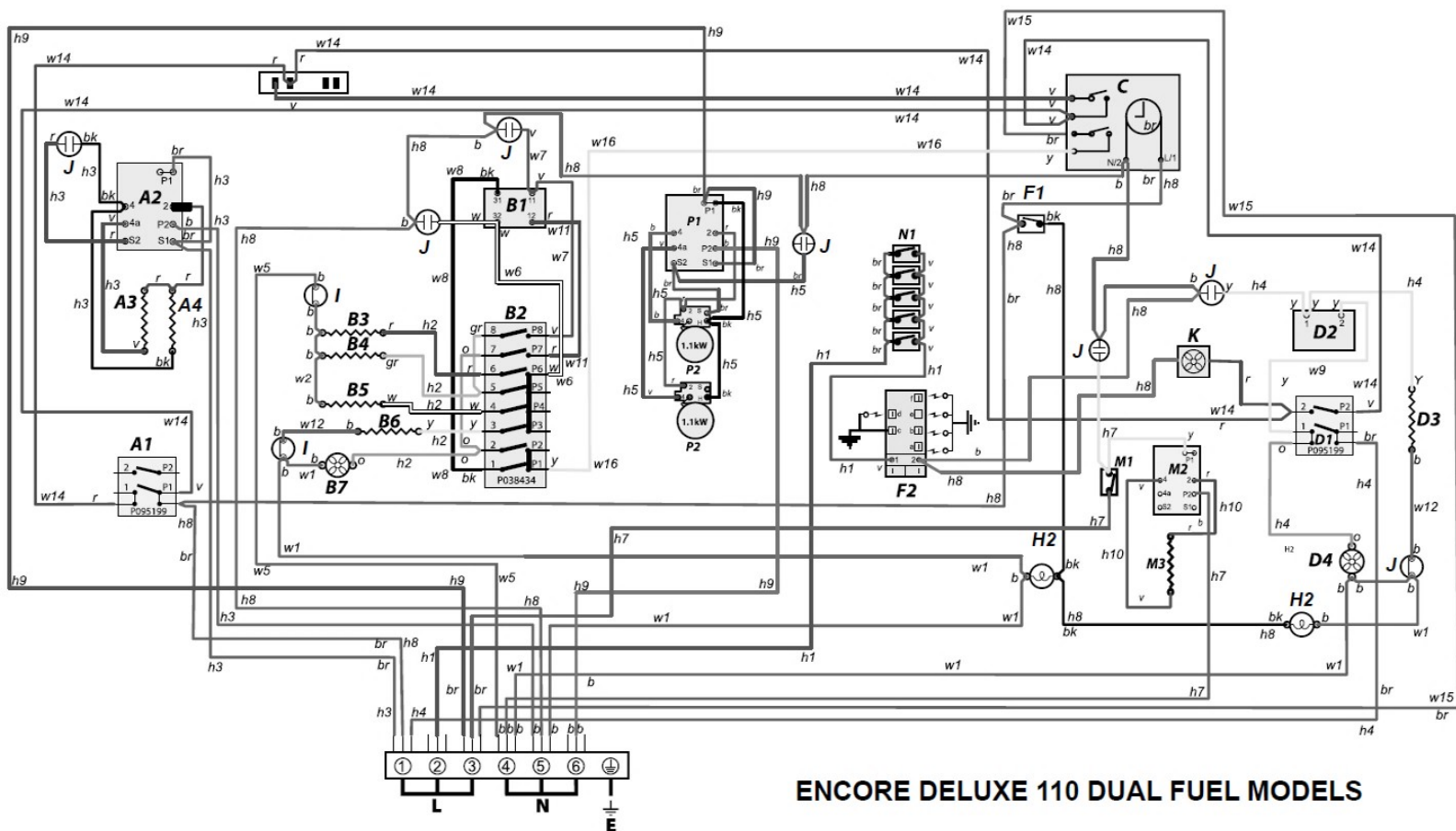
CHASSIS AND INFILL PLATE







ACCESSORIES



ENCORE DELUXE 110 DUAL FUEL MODELS

KEY

Ref N°	Part N°	Quantity	Colour	Description
w1	P043964	2	b	WIRE ASSEMBLY
w2	P040694	1	b	WIRE ASSEMBLY
w3	P042859	1	g/y	NI - WIRE ASSEMBLY - EARTH
w4	P055374	2	g/y	NI - WIRE ASSEMBLY - EARTH
w5	P094947	1	b	WIRE ASSEMBLY
w6	P064455	1	w	WIRE ASSEMBLY - WHITE
h1	P064817	1	br/v	WIRING HARNESS IGNITION
h2	P064444	1	r/or/y/w/gr	HARNESS LH MF R-HEAT
h3	P064445	1	r/bk/b/v/br	HARNESS GRILL
h4	P064454	1	or/br/y	HARNESS RH FANED OVEN
h5	P038594	1	bk/b/r/v/br	GRIDDLE HARNESS
w7	P064457	1	v	WIRE ASSY VIOLET LINK
w8	P038186	1	bk	WIRE ASSY TRIPLE REG SWITCH
h6	P049242	1	clear	NI - HT HARNESS
w9	P037863	1	y	WIRE ASSEMBLY
w10	P049241	1	g/y	NI - WIRE ASSEMBLY - EARTH
w11	P094951	1	r	WIRE ASSEMBLY
w12	P040066	2	b	WIRE ASSY - NEU-LINK T' CUT OUTS
w13	P094943	2	g/y	NI - WIRE ASSEMBLY - EARTH
w14	P064447	1	r/v	Cooling Fan Harness
w15	P064448	1	b	Brown Link - Terminal block to timer relay
h7	P064815	1	b/br/y	Fascia Switch Harness
h8	P064816	1	bk/br/b	Auxiliary Harness
h9	P064818	1	b/br	Harness Griddle Zone
w16	P048632	1	y	Yellow link - Timer
h10	P062327	1	v/r	Proving element to energy reg

Code	Colour
b	Blue
br	Brown
bk	Black
or	Orange
r	Red
v	Violet
w	White
y	Yellow
g/y	Green/yellow
gr	Grey

Code	Description	Code	Description
A1	Grill front switch	D2	Right-hand fan oven control
A2	Grill energy regulator	D3	Right-hand fan oven element
A3	Grill element left hand side	D4	Right-hand fan oven fan
A4	Grill element right hand side	F1	Ignition switches
B1	Left-hand multi-function oven thermostat	F2	Ignition spark generator
B2	Left-hand multi-function oven control	G1	Ceramic hob energy regulator
B3	Left-hand multi-function oven base	G2	Rear Ceramic hob element
B4	Left-hand multi-function oven top element (outer pair)	G3	Front Ceramic hob element
B5	Left-hand multi-function oven browning element (inner pair)	H1	Oven light switch
B6	Left-hand multi-function oven fan element	H2	Oven light
B7	Left-hand multi-function oven fan	J	Thermal cut-out
C	Clock	K	Cooling fan
D1	Right-hand fan oven thermostat	M1	Proving draw switch
		M2	Proving draw energy regulator
		M3	Proving draw element