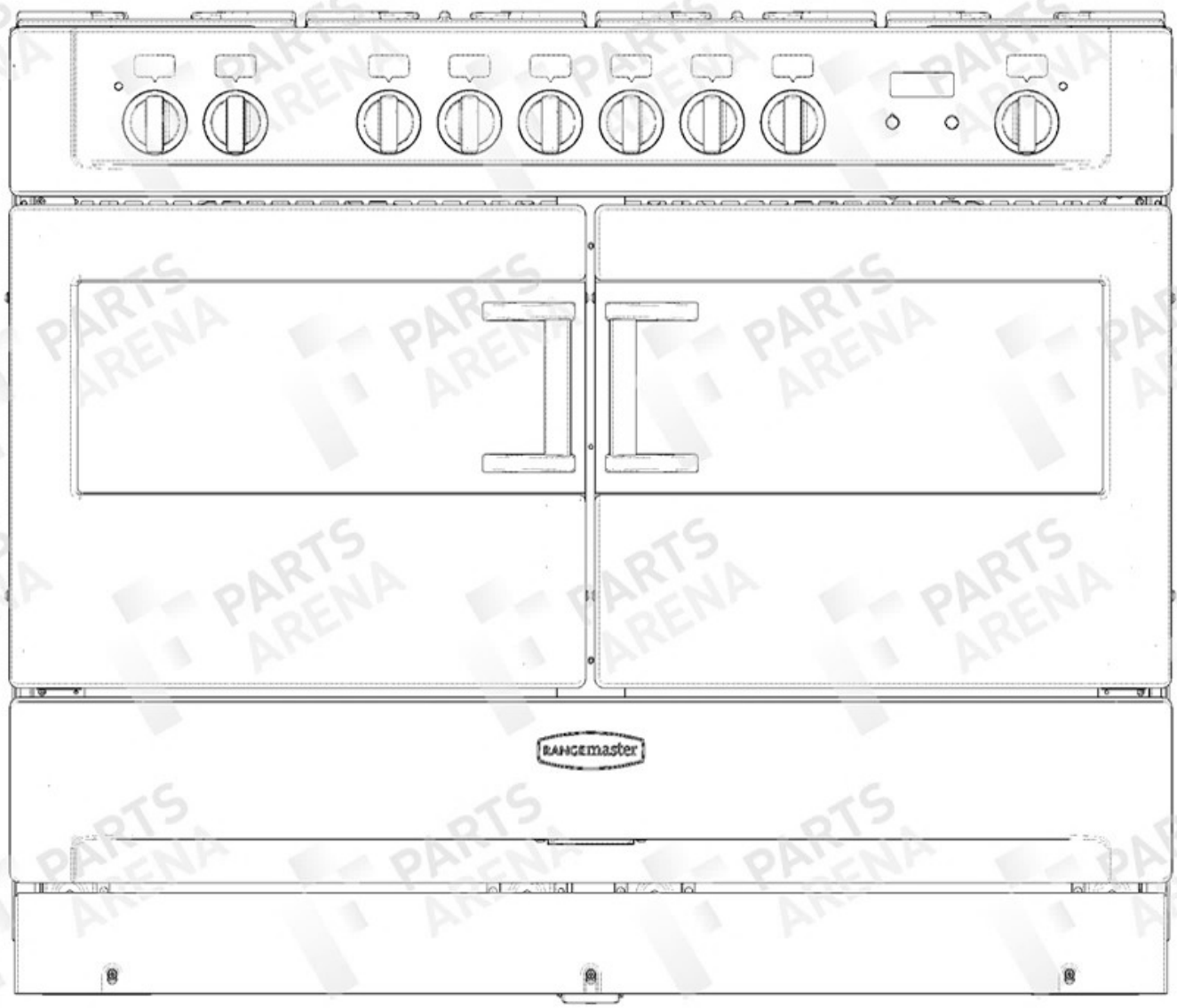
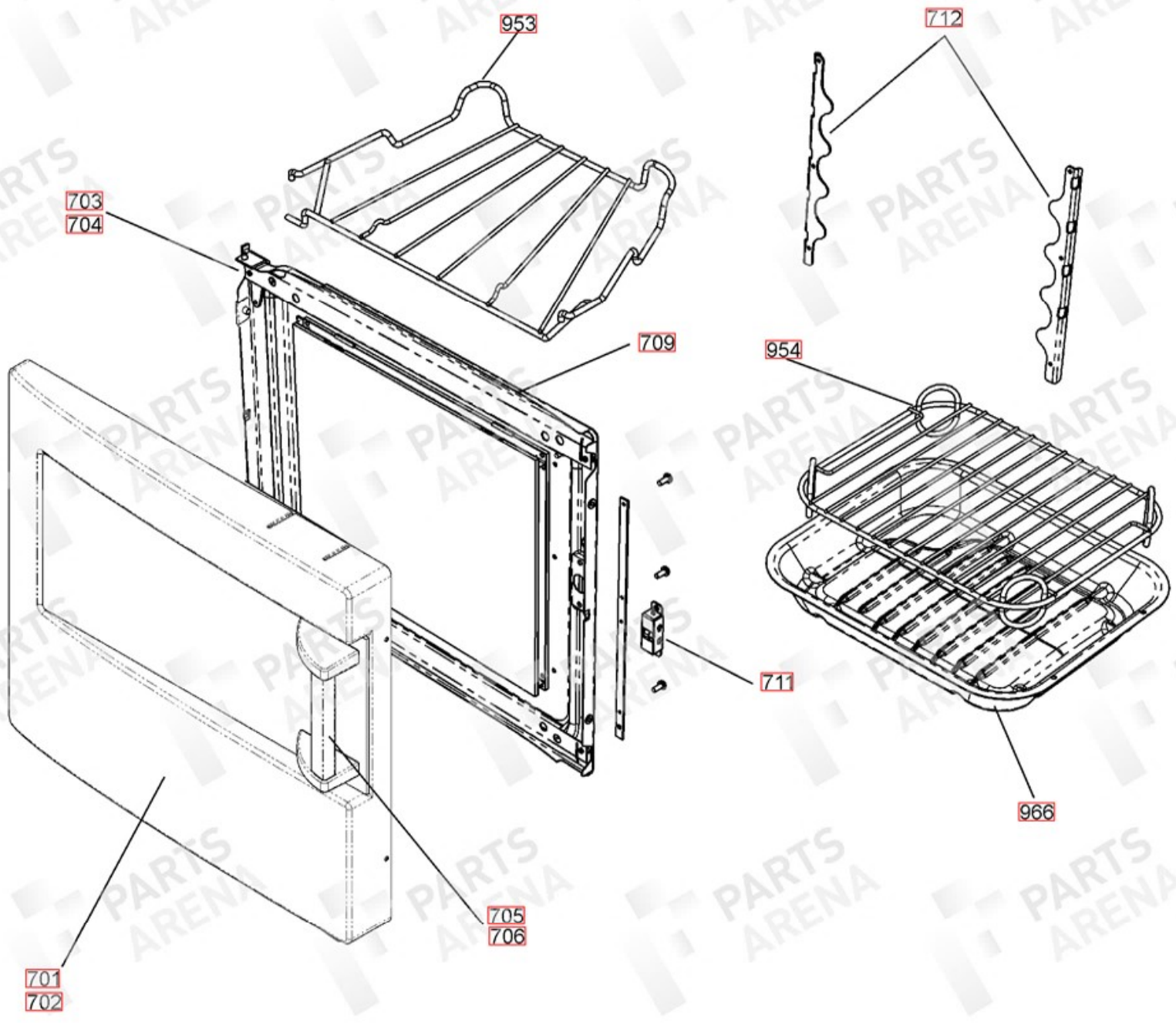


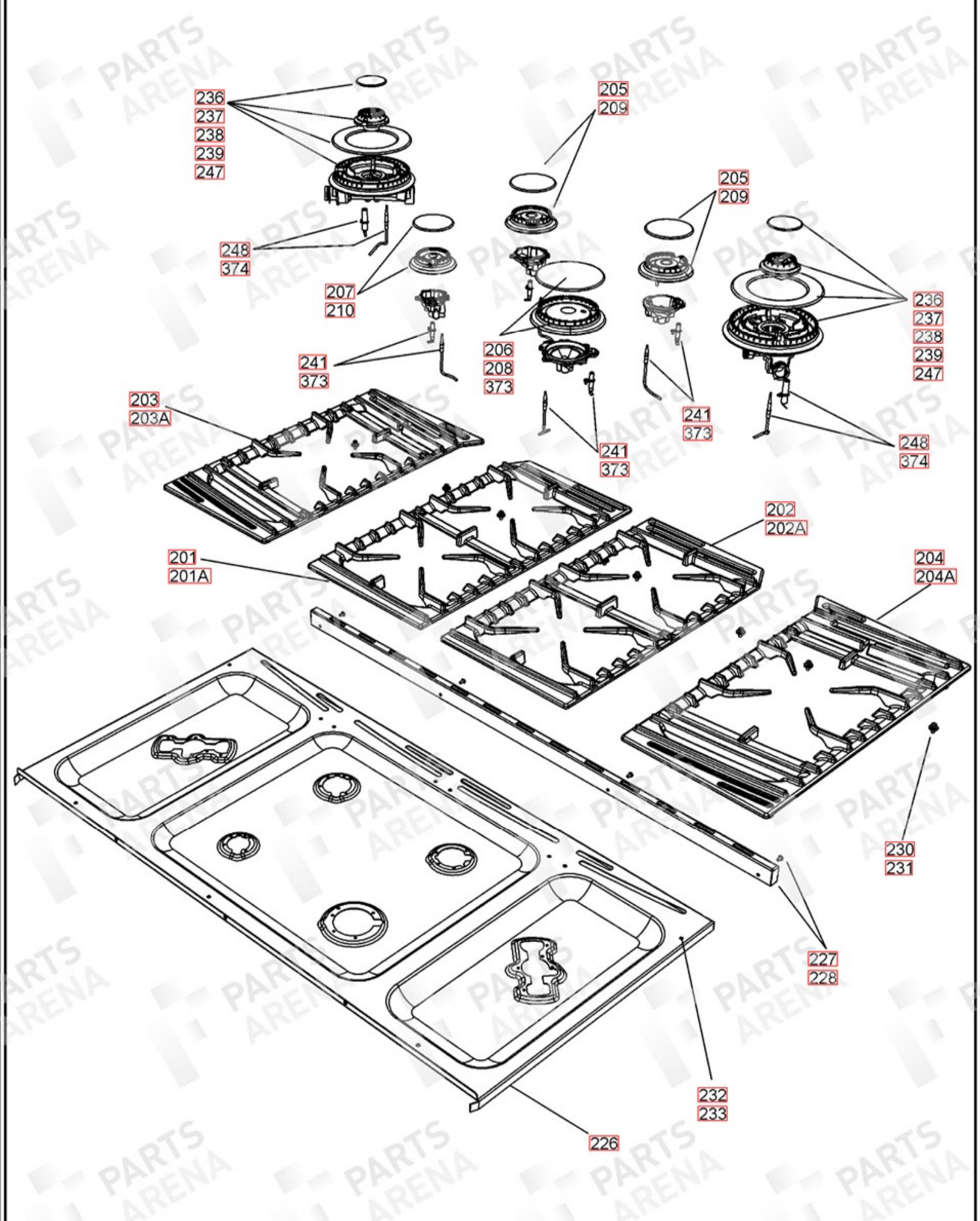
APPLIANCE NAME:
ELITE SE UK 8203 & 8346
FALCON ELITE SE EU 8401 & 8402

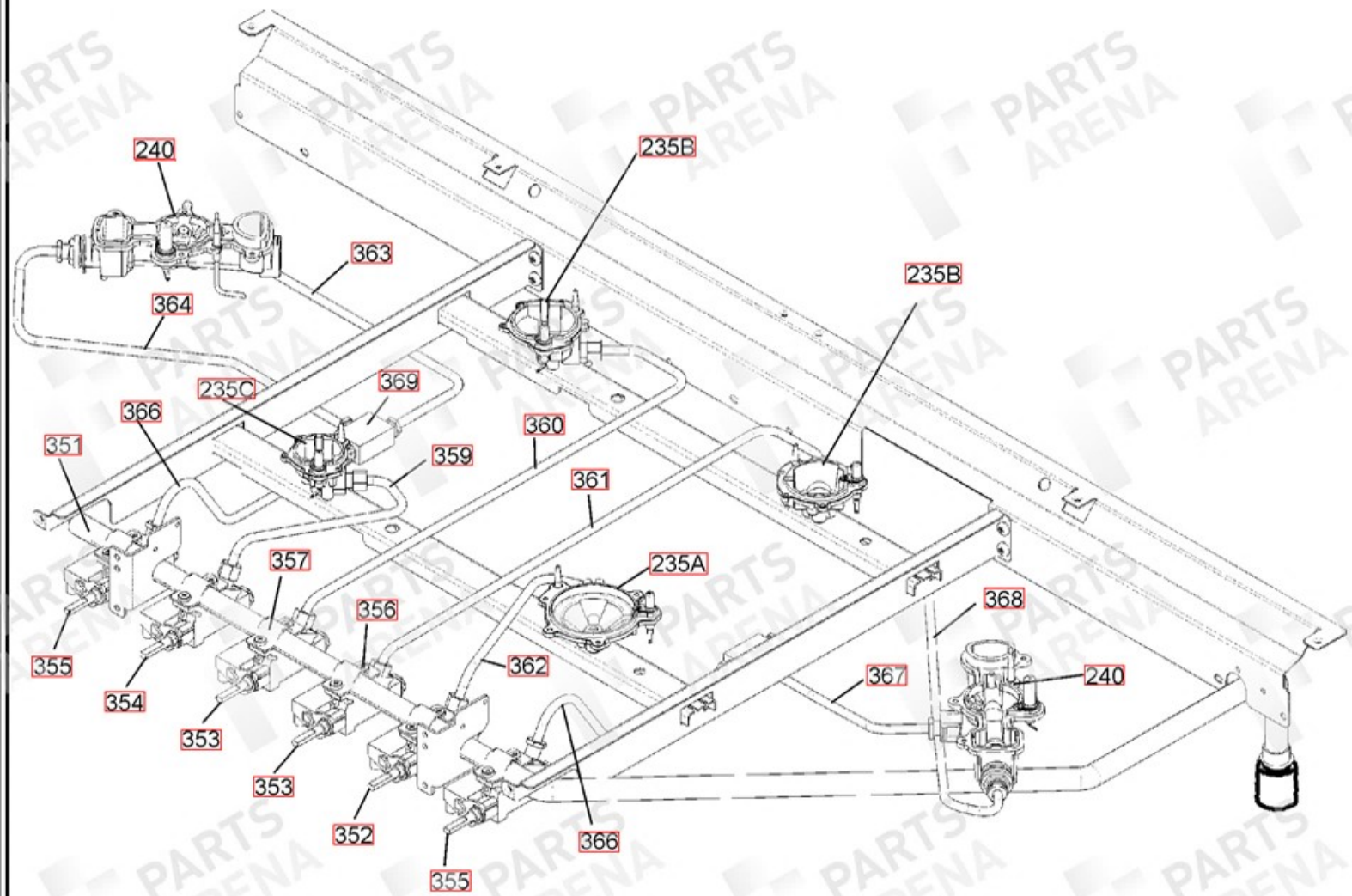
DATE 26.06.07

DSL0344 P00
ISSUE STATUS 01





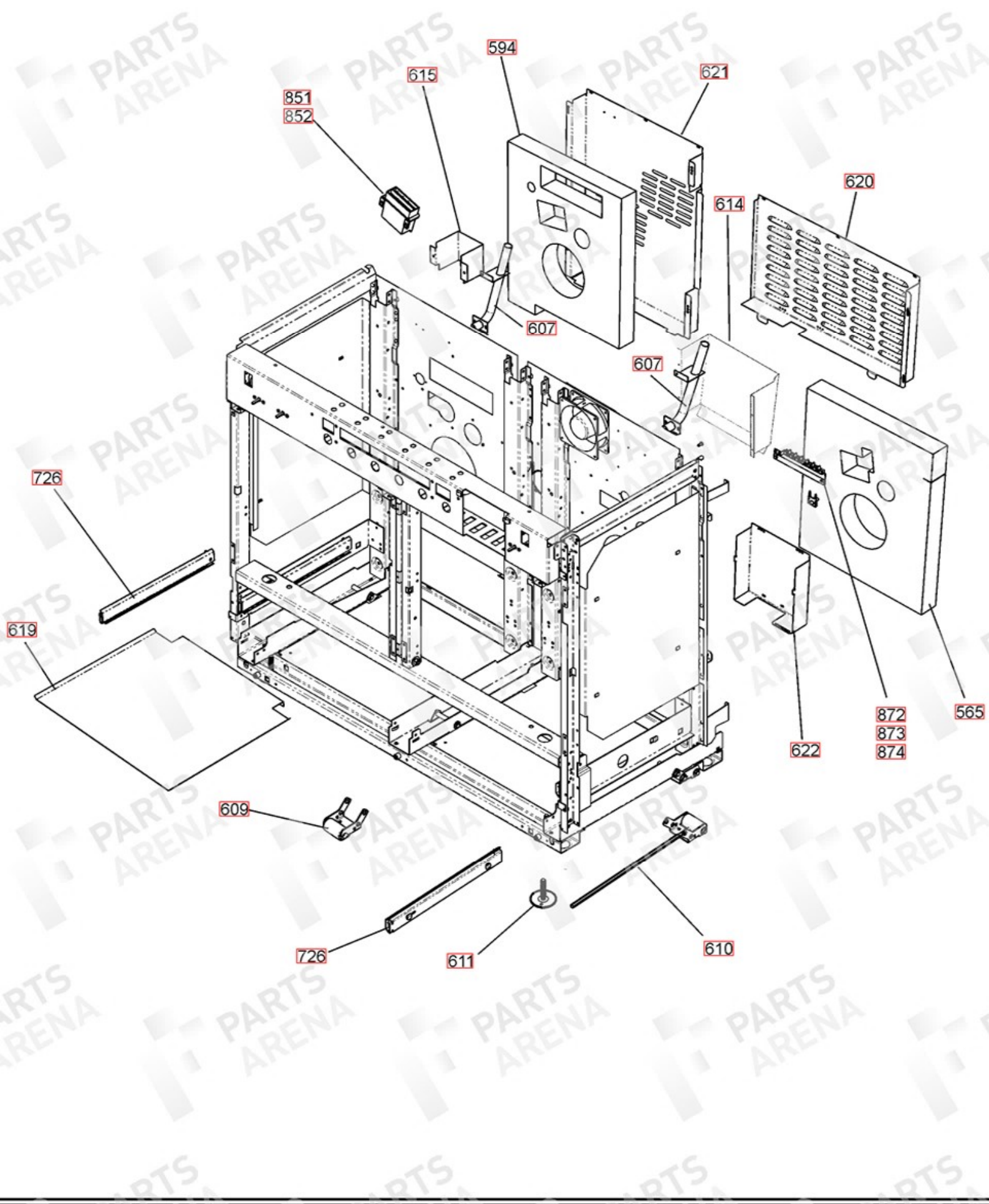




APPLIANCE NAME:
ELITE SE UK 8203 & 8346
FALCON ELITE SE EU 8401 & 8402

DATE 27.06.07

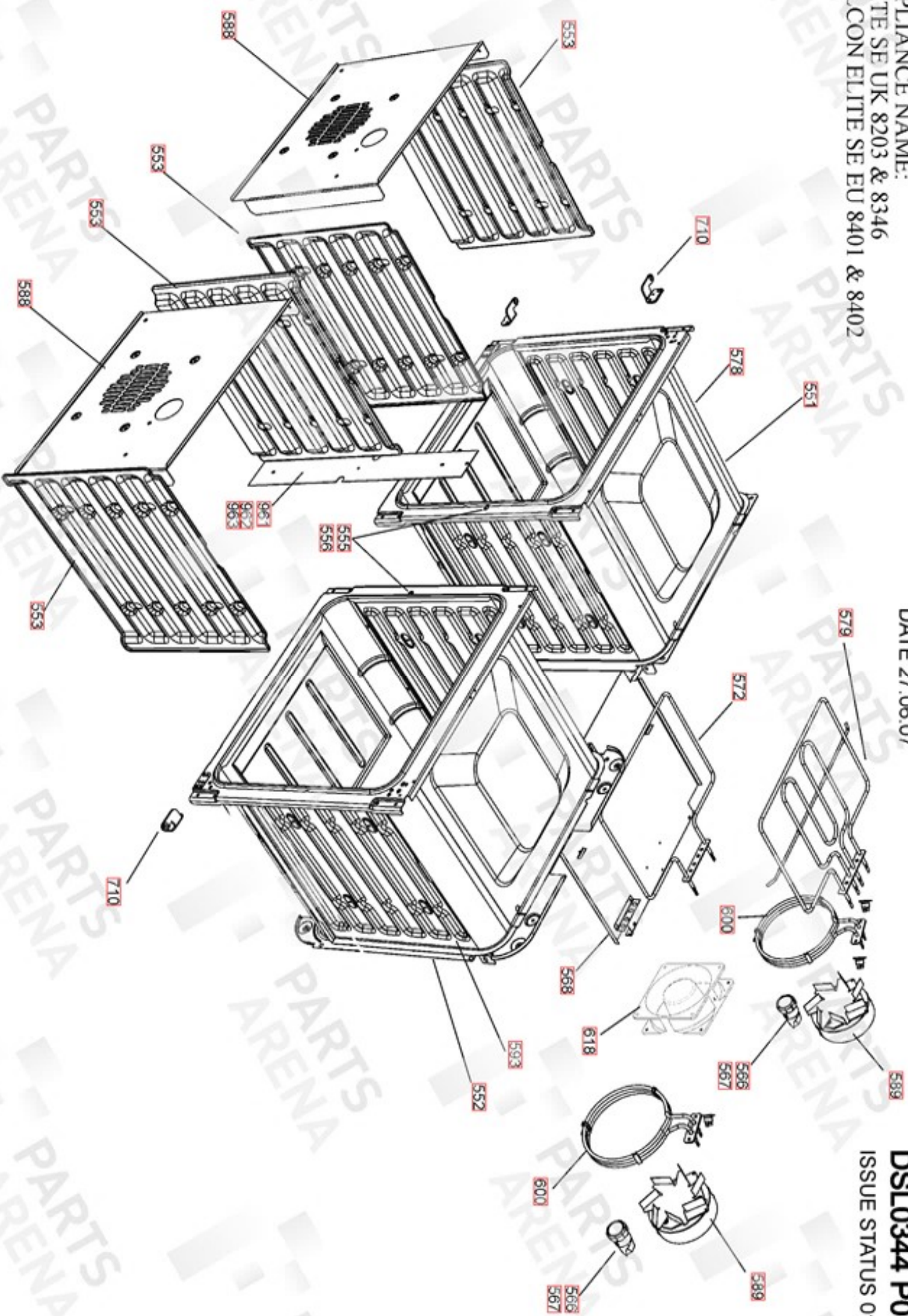
DSL0344 P04
ISSUE STATUS 01



APPLIANCE NAME:
ELITE SE UK 8203 & 8346
ALCON ELITE SE EU 8401 & 8402

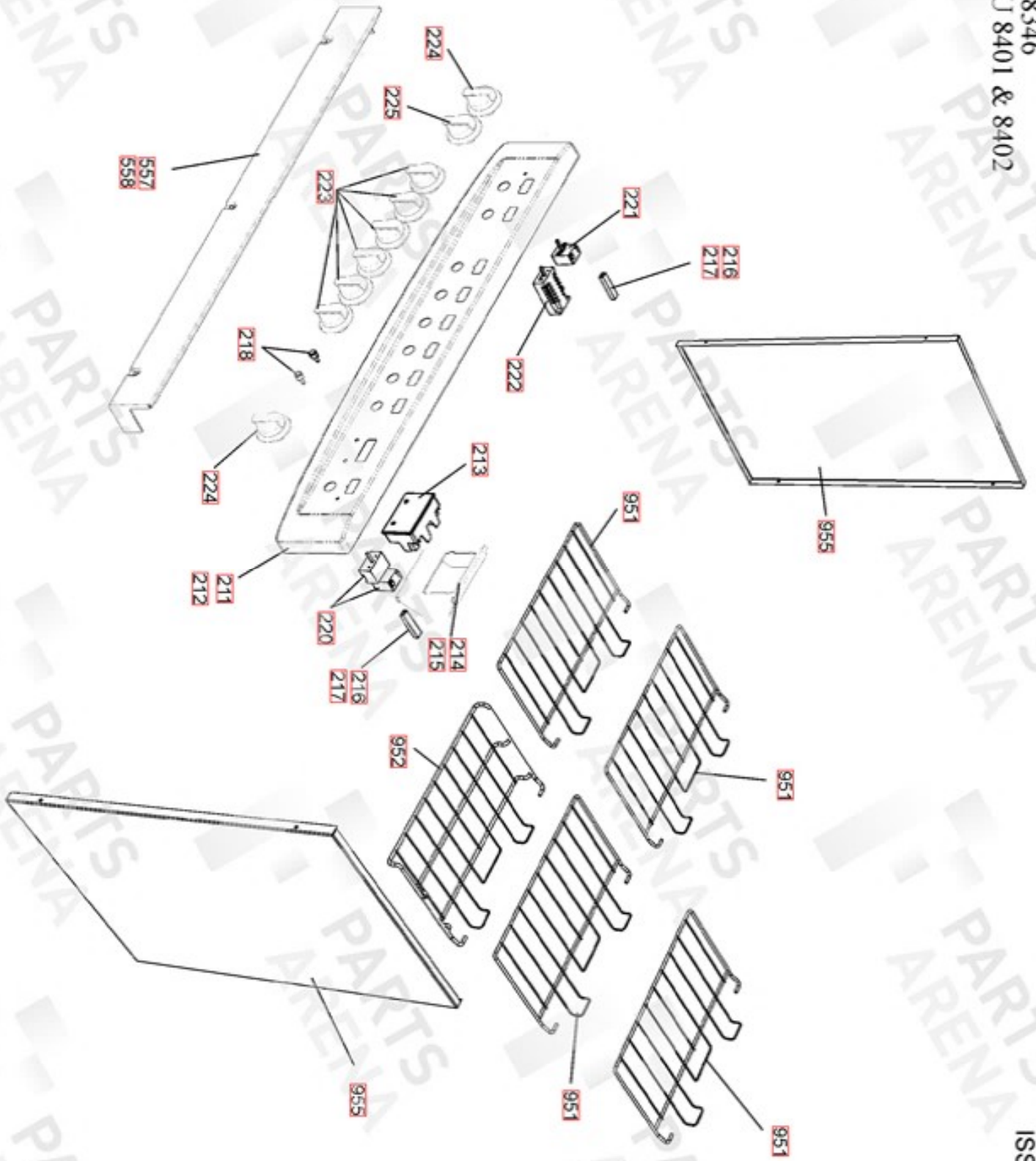
DATE 27.06.07

DSL0344 P01
ISSUE STATUS 01



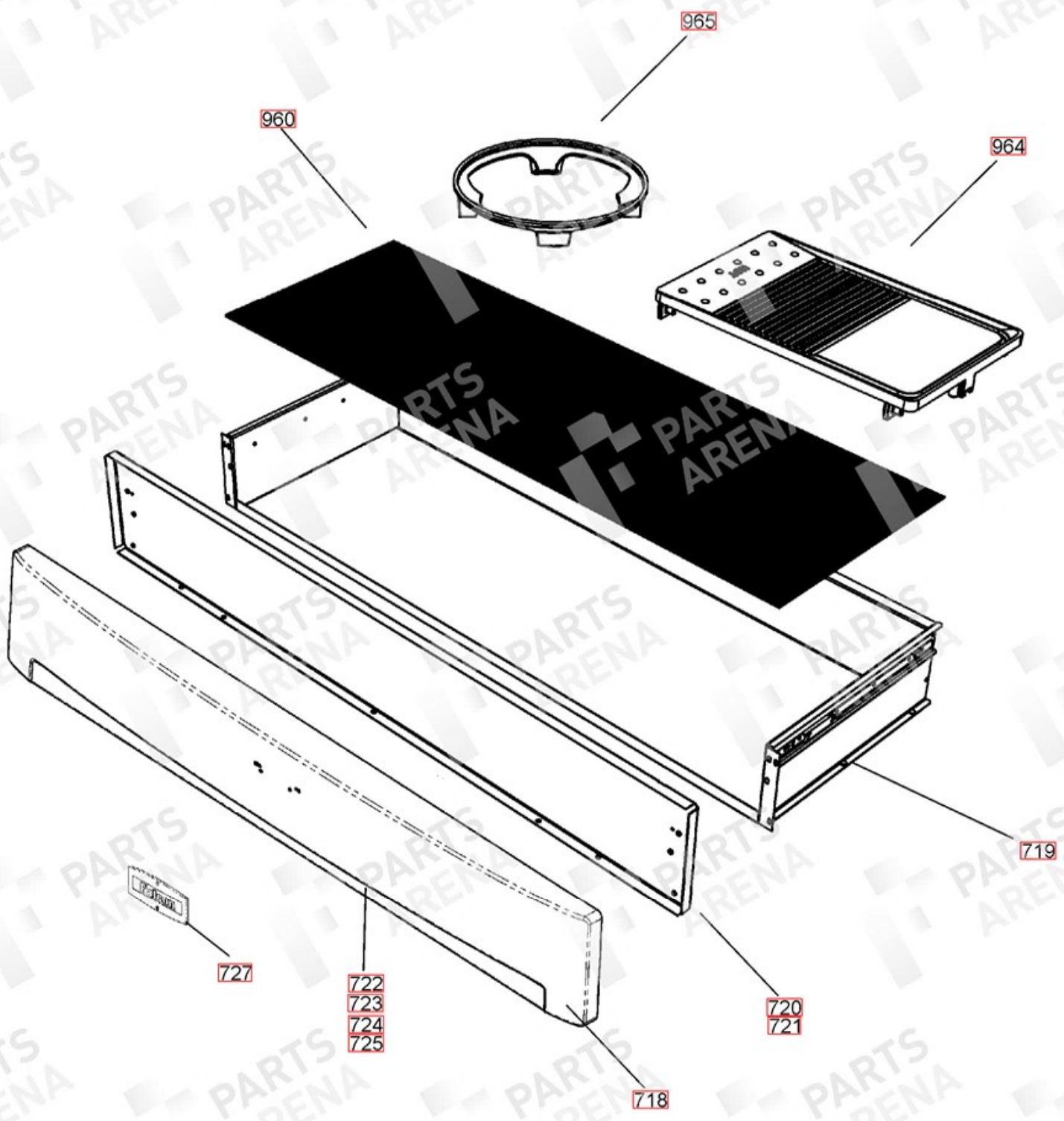
APPLIANCE NAME:
ELITE SE UK 8203 & 8346
FALCON ELITE SE EU 8401 & 8402

DATE 27.06.07



DSL0344 P06
ISSUE STATUS 01

UP TO SERIAL NUMBER 151999



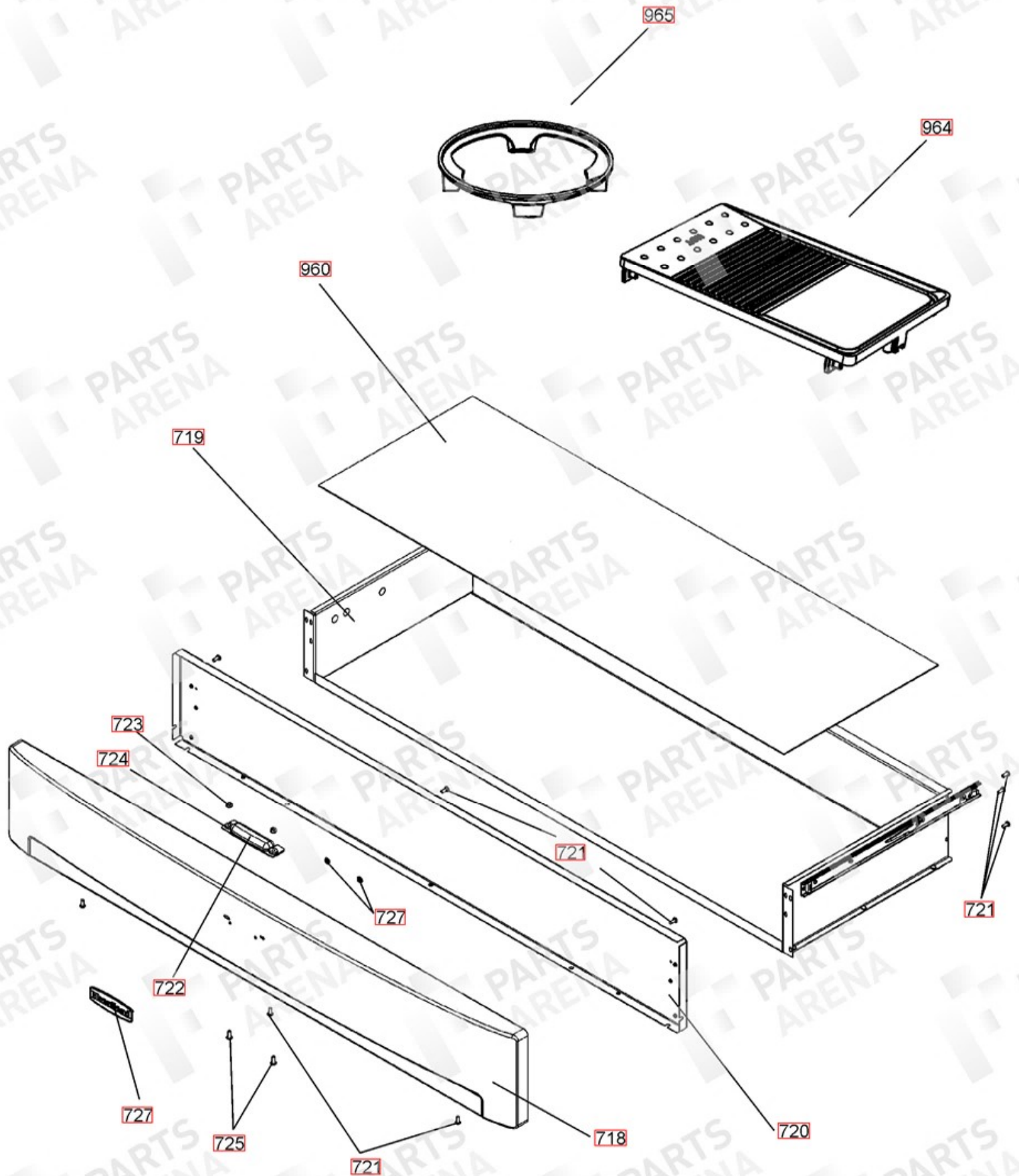
APPLIANCE NAME:
ELITE SE UK 8203 & 8346
FALCON ELITE SE EU 8401 & 8402

DATE 18.06.10

DSL0344 P07A

ISSUE STATUS 02

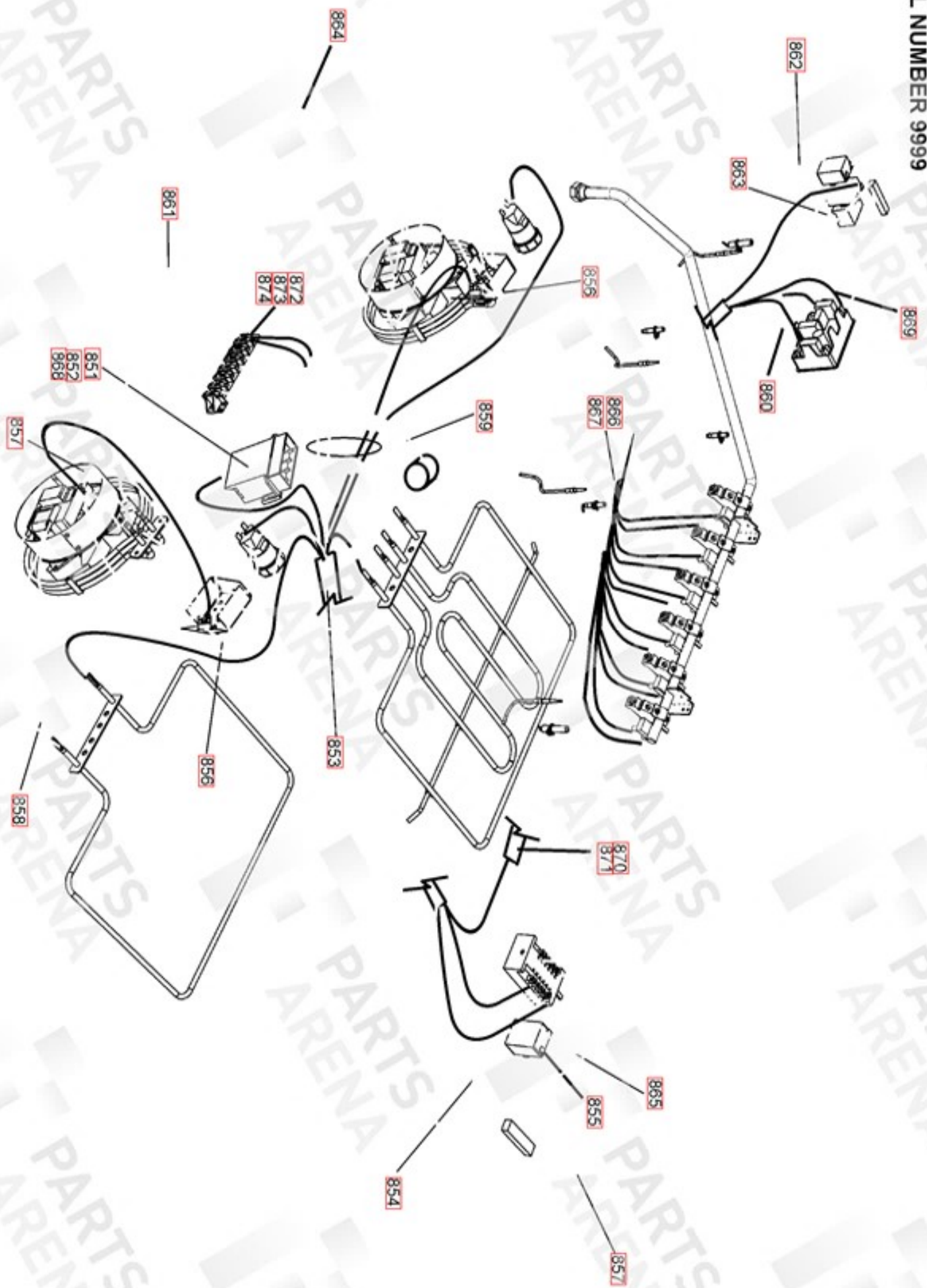
FROM SERIAL NUMBER 152000

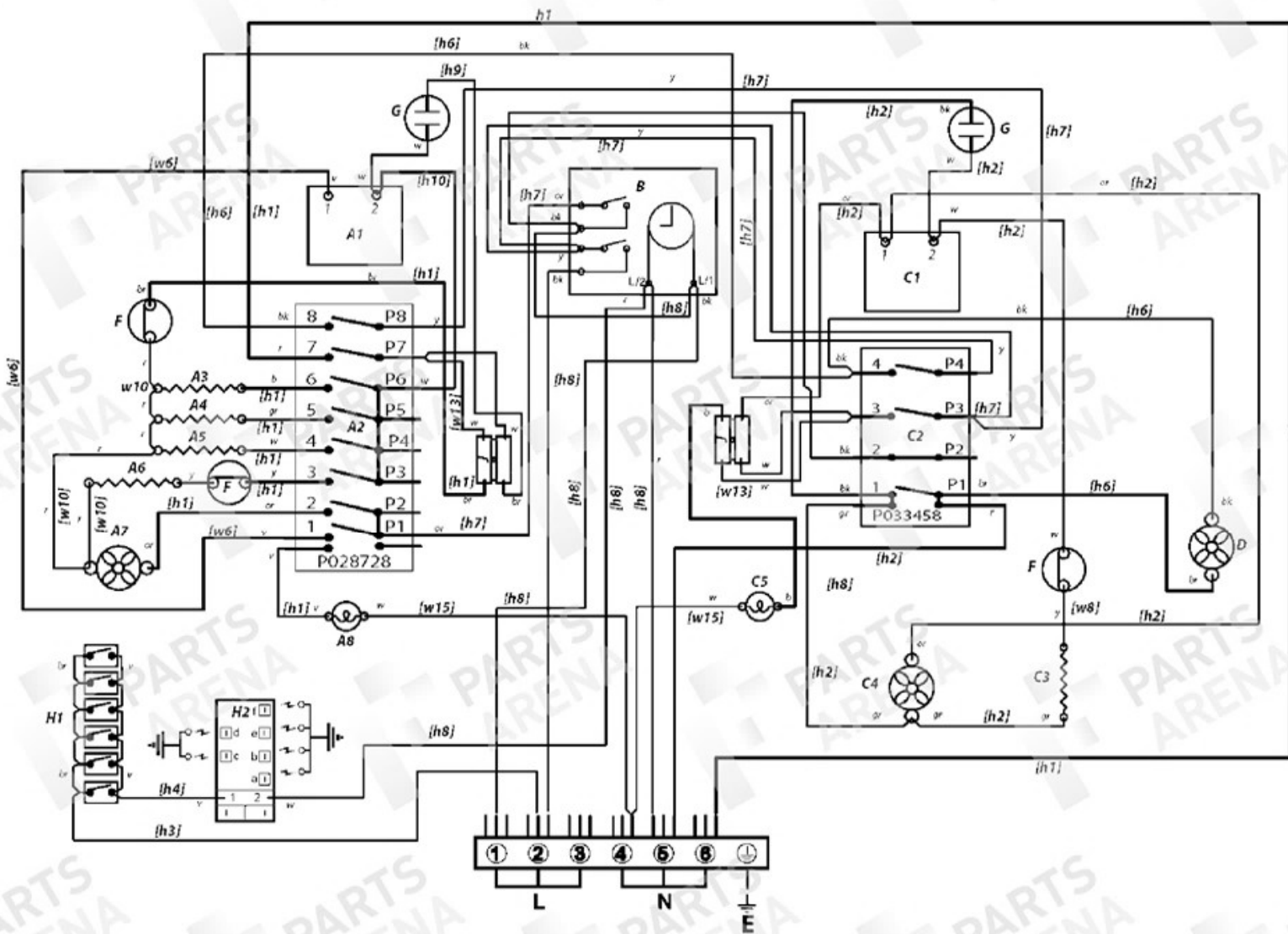


APPLIANCE NAME:
ELITE SE UK 8203 & 8346
ALCON ELITE SE EU 8401 & 8402
UP TO SERIAL NUMBER 9999

DATE 26.01.10

DSL0344 P08
ISSUE STATUS 02





Ref Number	Part number	Quantity	Remarks
[h1]	P042328	1	Harness Assembly - MF OVEN HARNESS USA
[h9]	P042327	1	Harness Assembly - SWITCH NEON RETURN
[h10]	P037473	1	Harness Assembly - MULTI FUNCTION NEON / STAT / SWITCH
[w8]	P037863	2	Wire - CUTOUT LINK WIRE USA
[w9]	P037475	1	Wire - (NI) MF OVEN EARTH WIRE ASSEMBLY
[w10]	P035499	1	Wire - LH OVEN ELEMENT LINK
[w15]	P033667	1	Wire - LIGHTS / NEUTRAL WIRING USA
[h7]	P051129	1	Wire - TIMER WIRING HARNESS
[h6]	P042146	1	Harness Assembly - FAN WIRING HARNESS
[w11]	P094943	1	Wire (NI) - EARTH RH T/STAT WIRING USA
[h2]	P033670	1	Harness Assembly - RH OVEN WIRING USA
[w7]	P033676	1	Wire (NI) - EARTH RH OVEN WIRING USA
[w6]	P037491	1	Wire - MF T/STAT TO SWITCH LINK
[h3]	P033680	1	Harness Assembly - IGNITION SWITCHES L1 WIRING USA
[h4]	P033679	1	Harness Assembly - IGNITION SWITCHES L2 WIRING USA
[h5]	P049242	1	Harness Assembly - HT HARNESS - 5 hot Plate Burners (NI)
[h8]	P049489	1	Harness Assembly - WIRE ASSEMBLY TIMER
[w12]	P027413	2	Wire - TWIN IN LINE 6.3 MALE TAB CONNECTOR
[w13]	P041537	2	Wire - 2 INTO 1 FEMALE TO DOUBLE WIRE
[w14]	P049292	1	Wire - HT WIRE ASSEMBLY - LH Hot Plate Burner Only (NI)

Code	Colour
b	Blue
br	Brown
bk	Black
or	Orange
r	red
v	violet
w	White
y	yellow
gr	Grey

Code	Description
A1	Left hand oven thermostat
A2	Left hand oven MF switch
A3	Left hand oven base element
A4	Left hand oven top outer element
A5	Left hand oven top inner element
A6	Left hand oven fan element
A7	Left hand oven fan
A8	Left hand oven light

Code	Description
B	Clock /Oven Timer
C1	Right hand oven thermostat
C2	Right hand oven switch
C3	Right hand oven element
C4	Right hand oven fan
C5	Right hand oven light
D	Cooling fan

Code	Description
F	Thermal cut-out
G	Indicator Necon
H1	Spark ignition switch
H2	Spark generator
J	Interconnect block