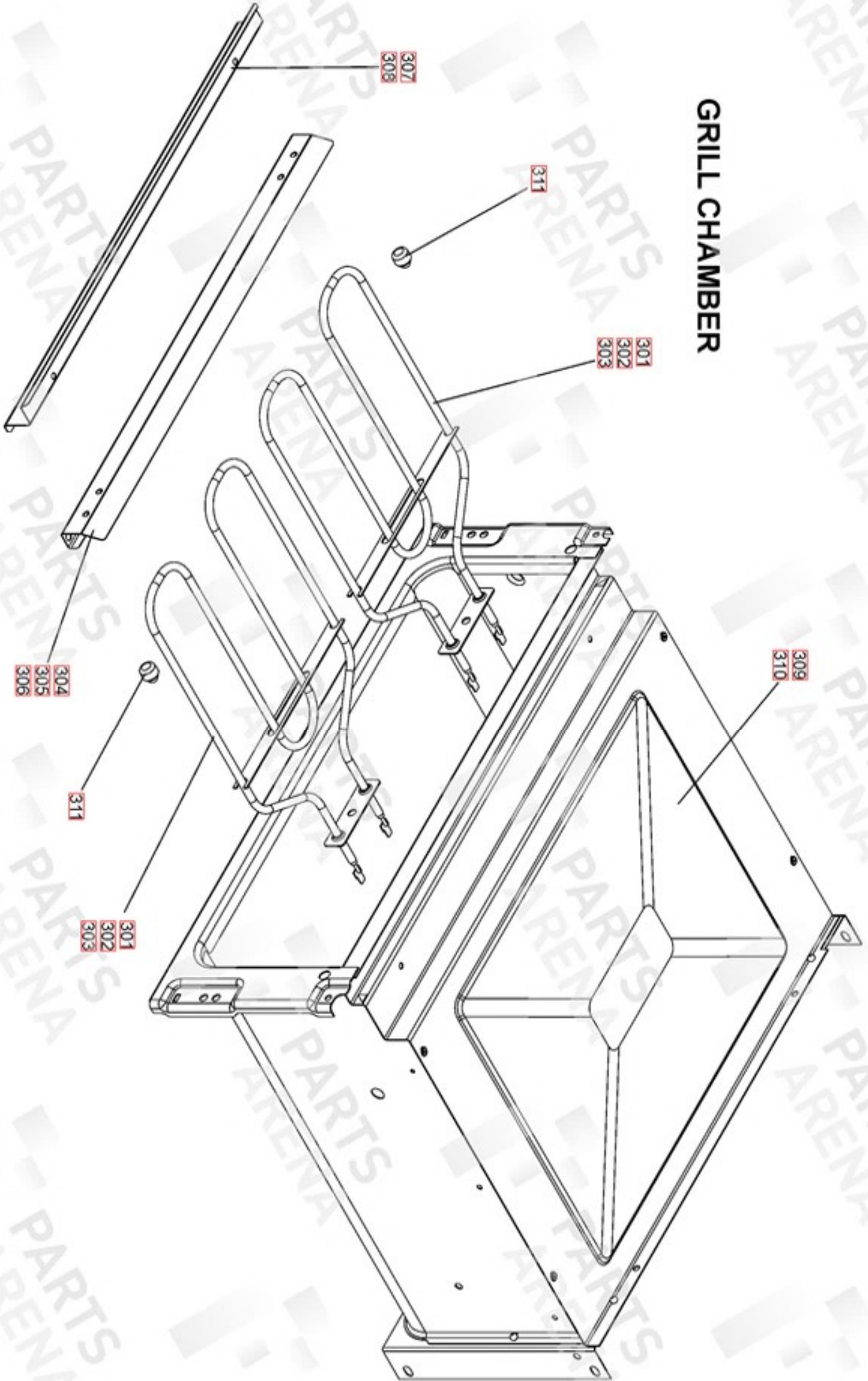
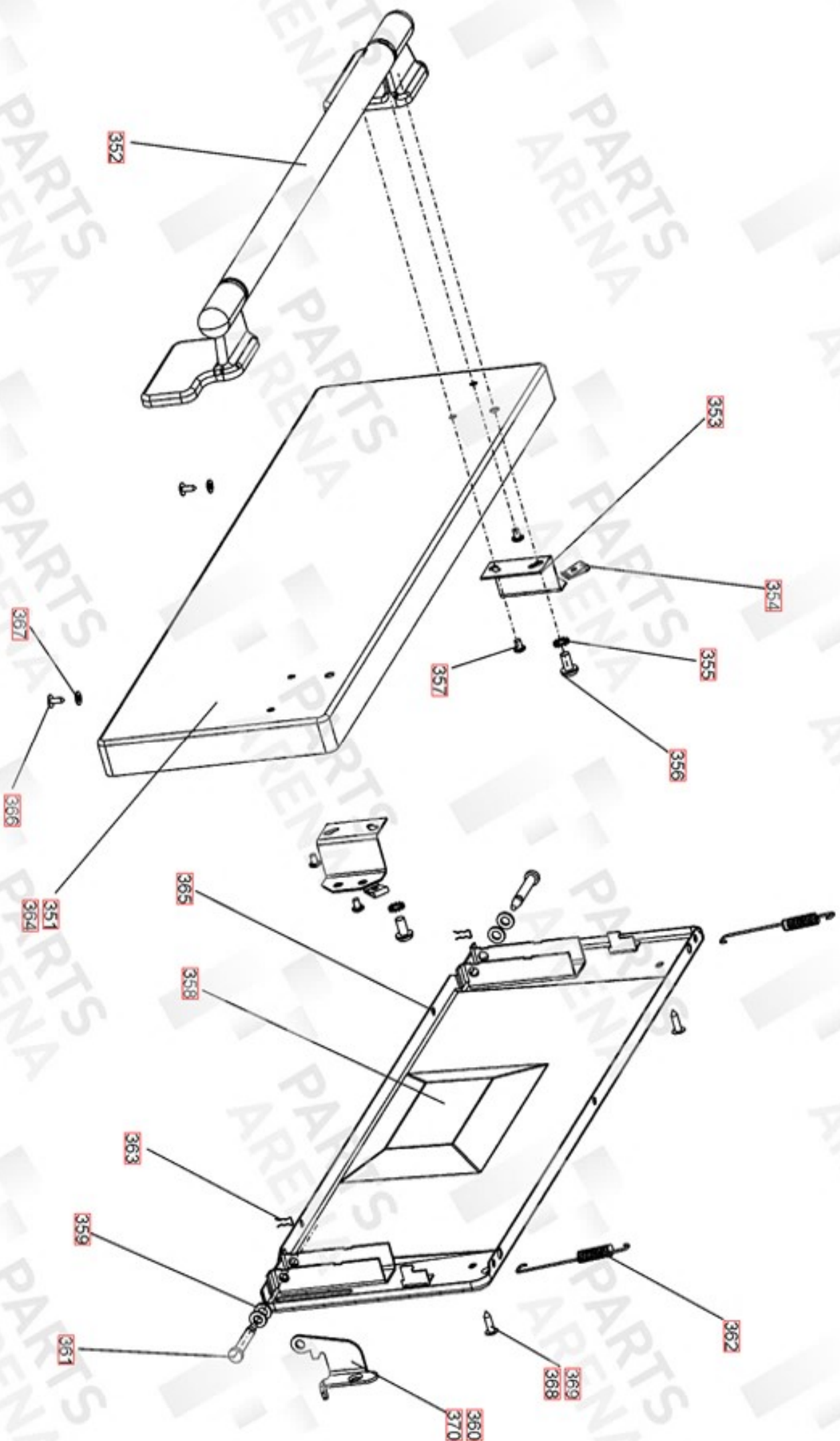
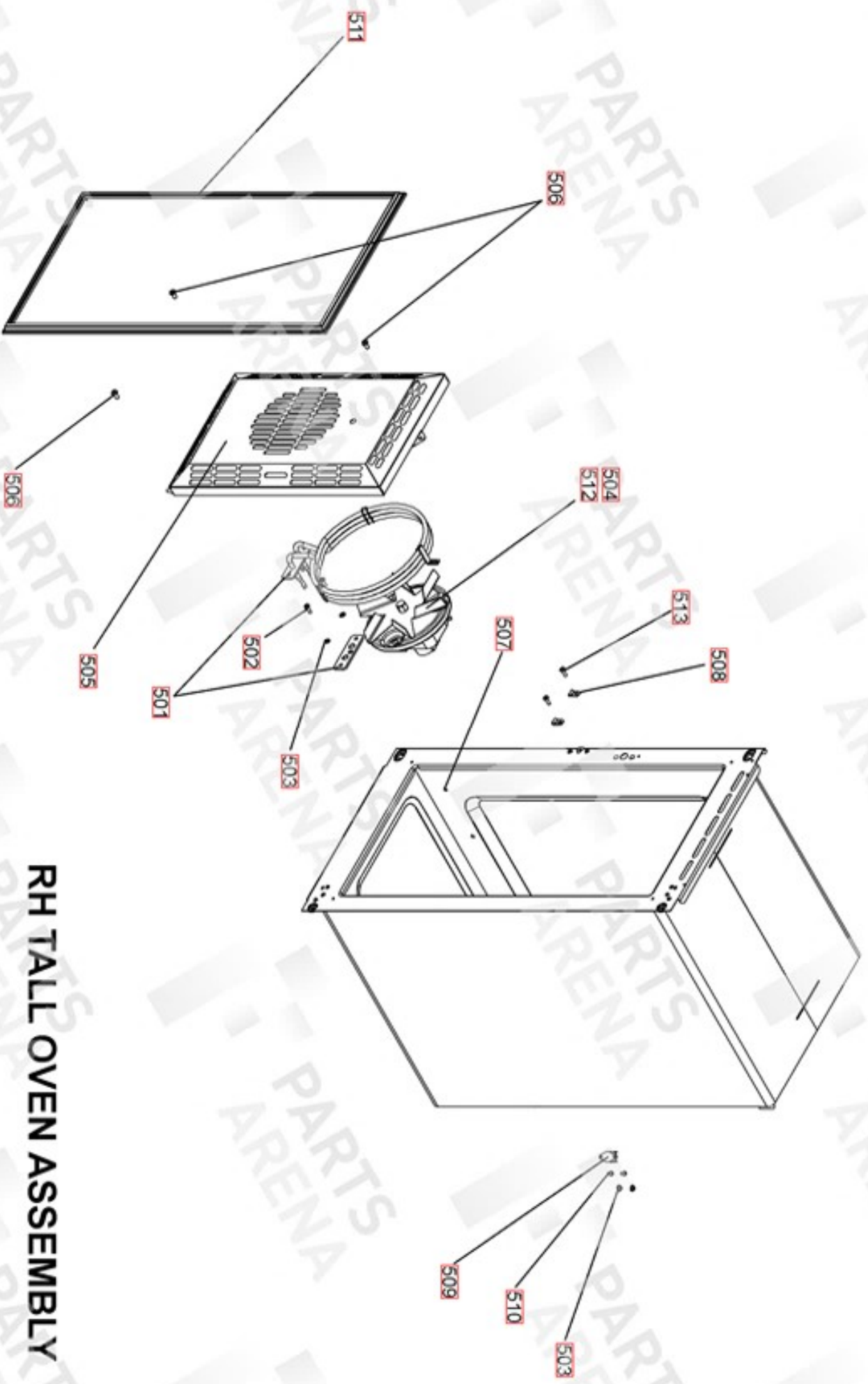


GRILL CHAMBER

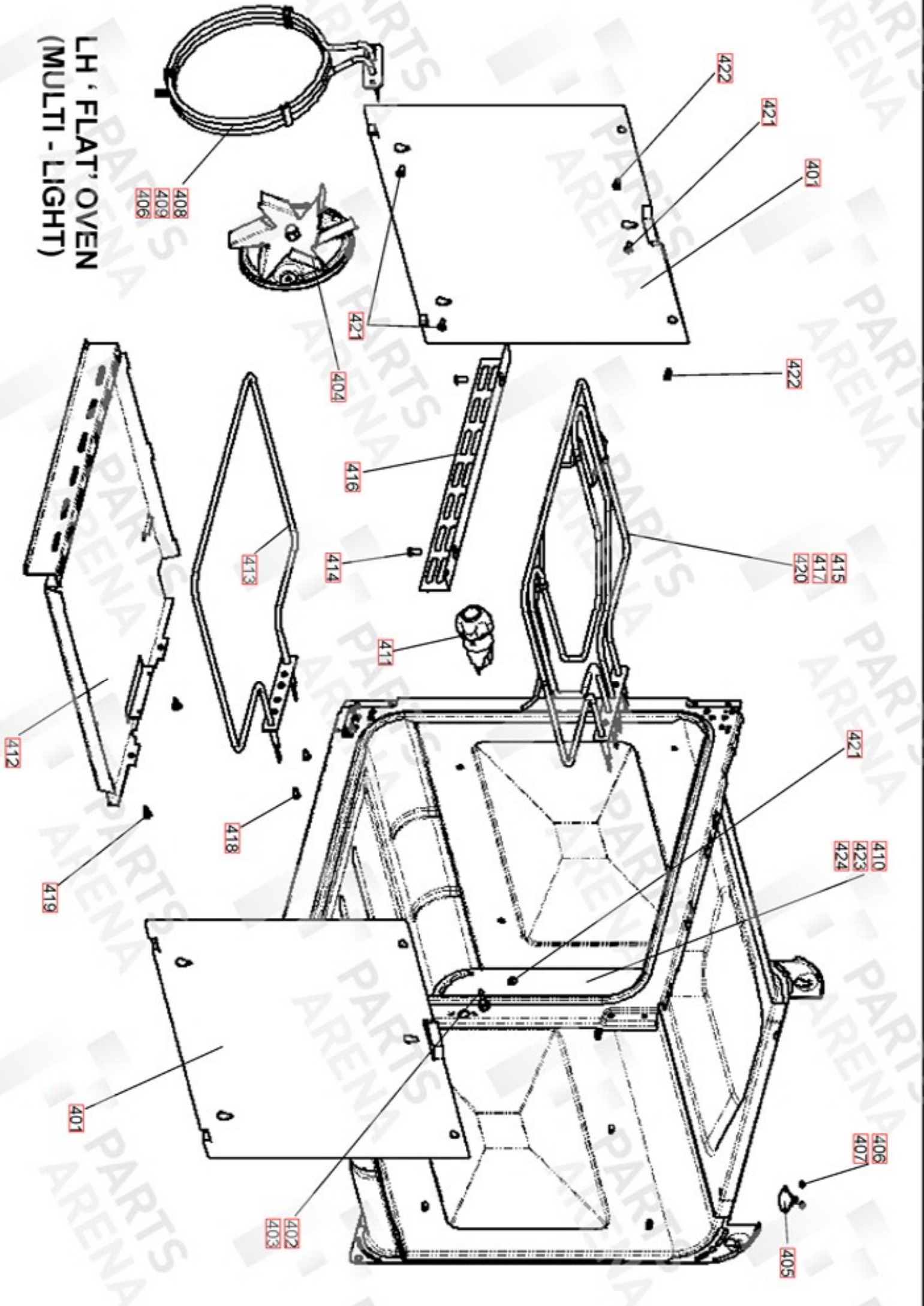


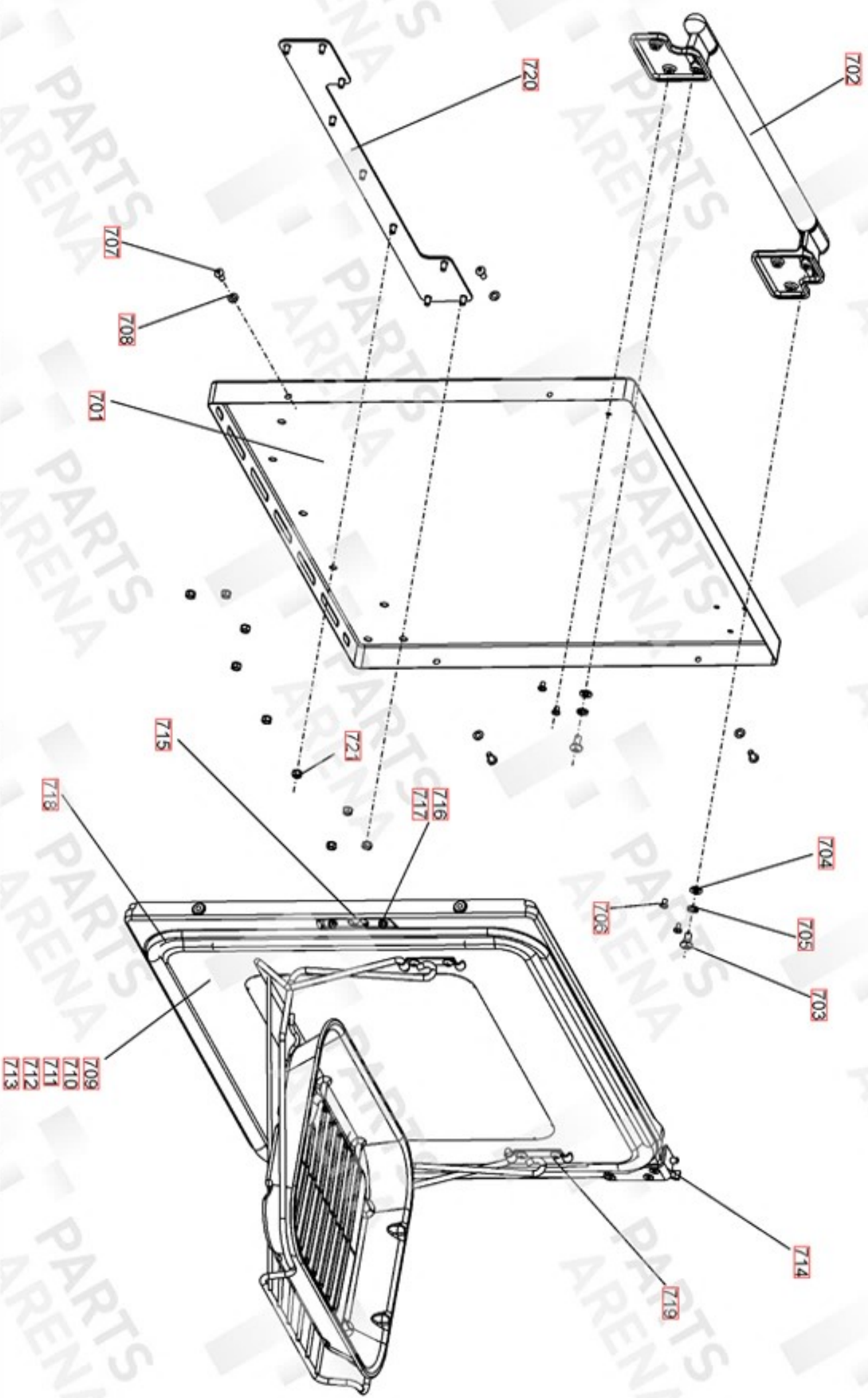


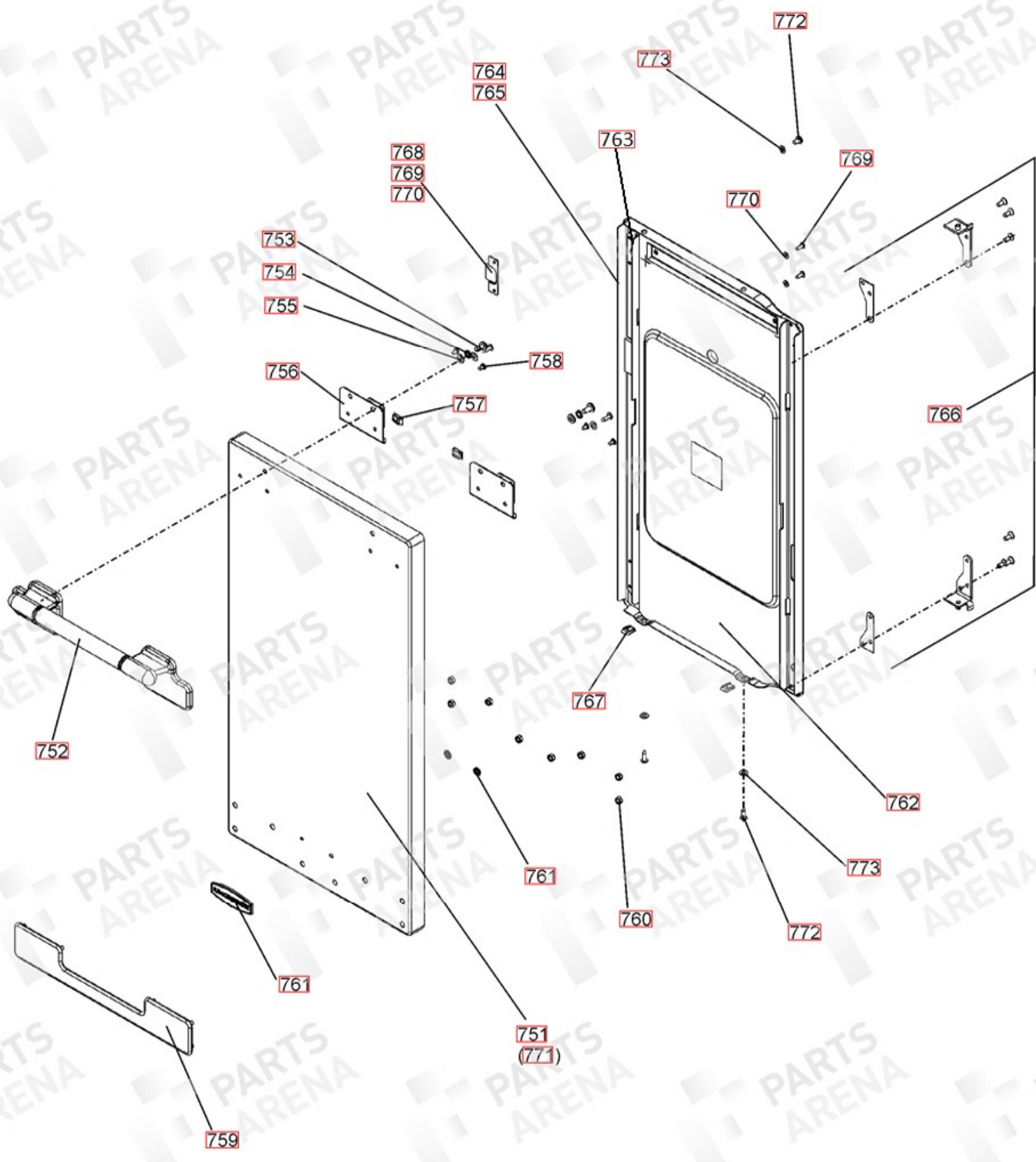


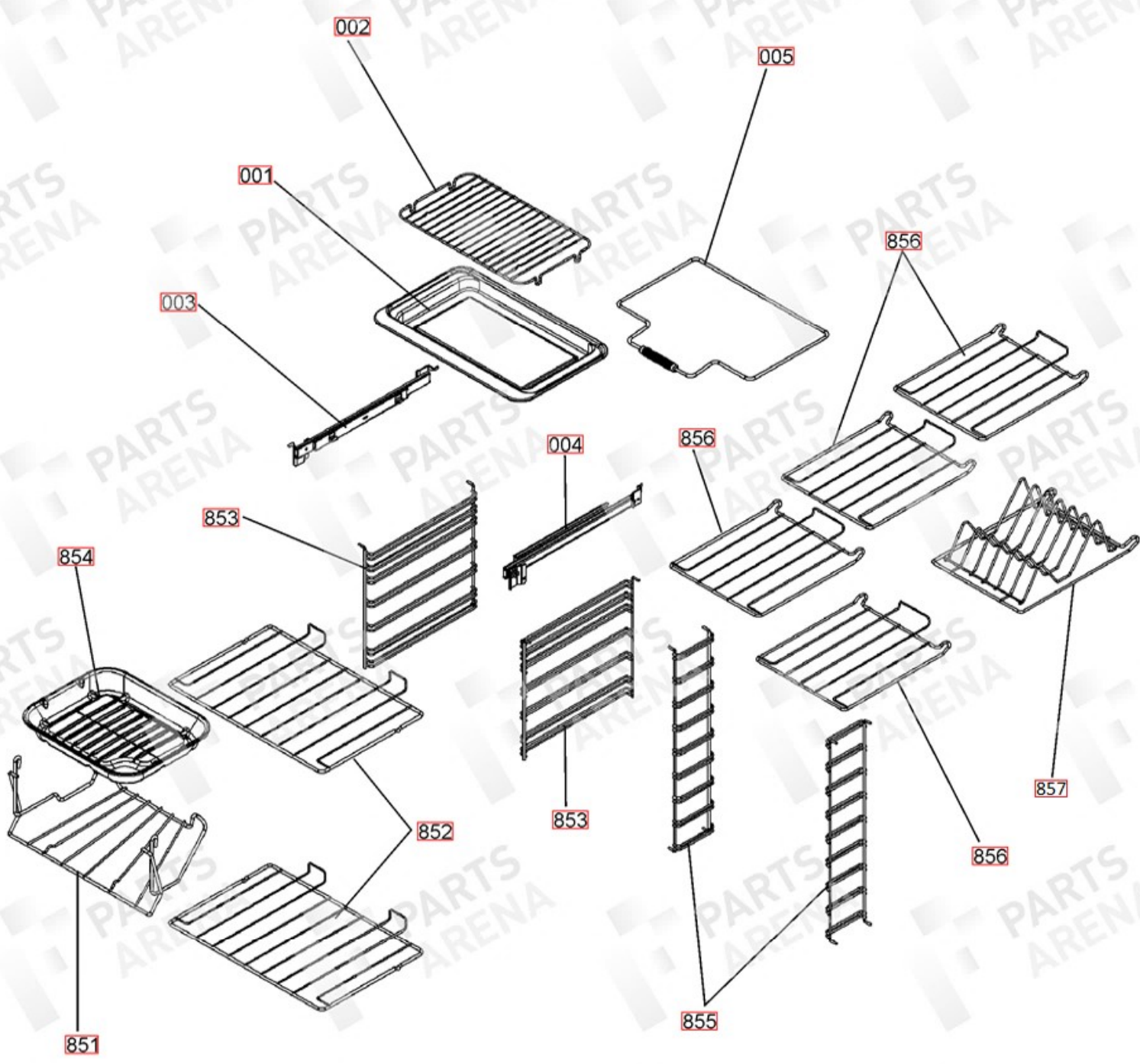
RH TALL OVEN ASSEMBLY

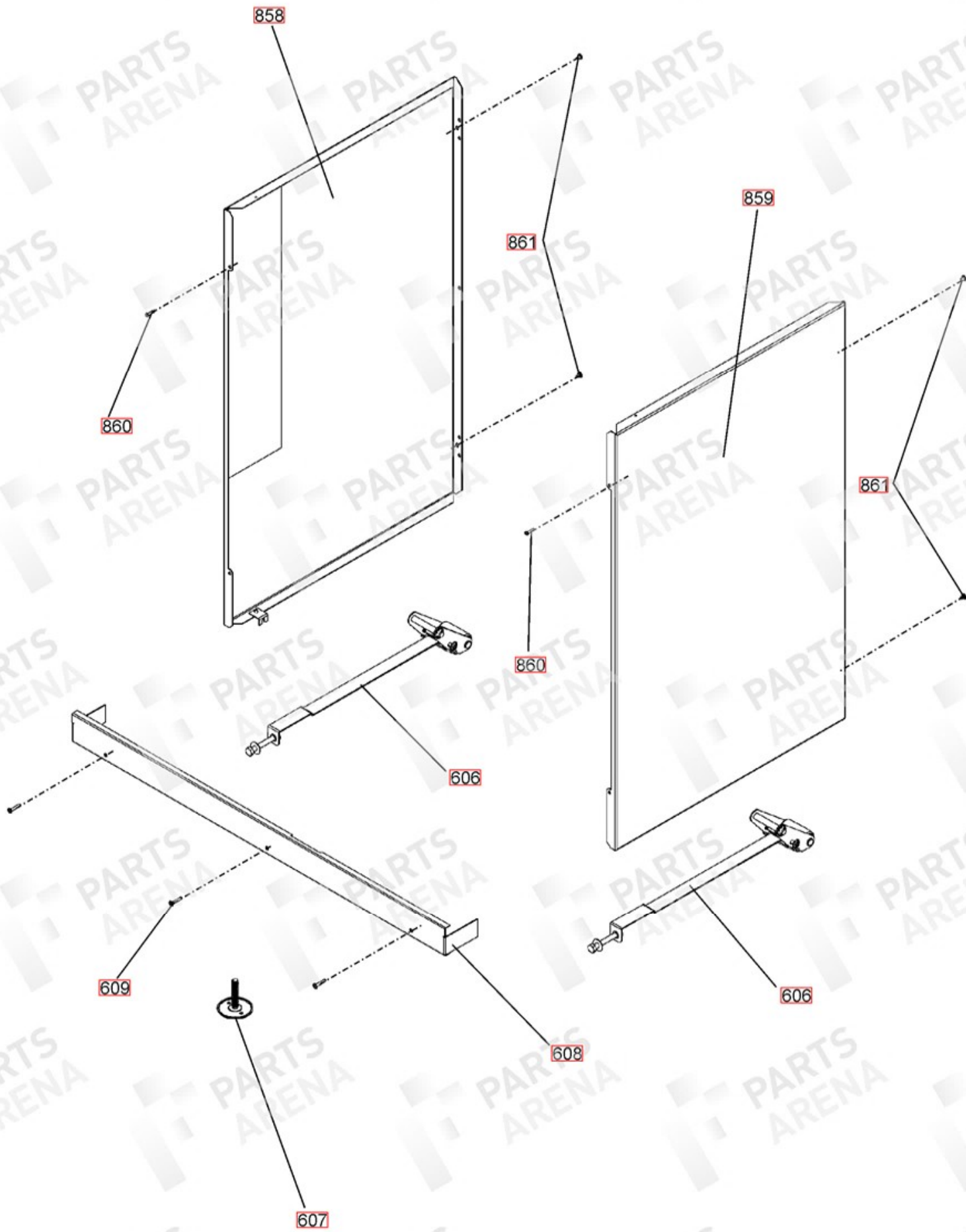
LH 'FLAT' OVEN
(MULTI-LIGHT)

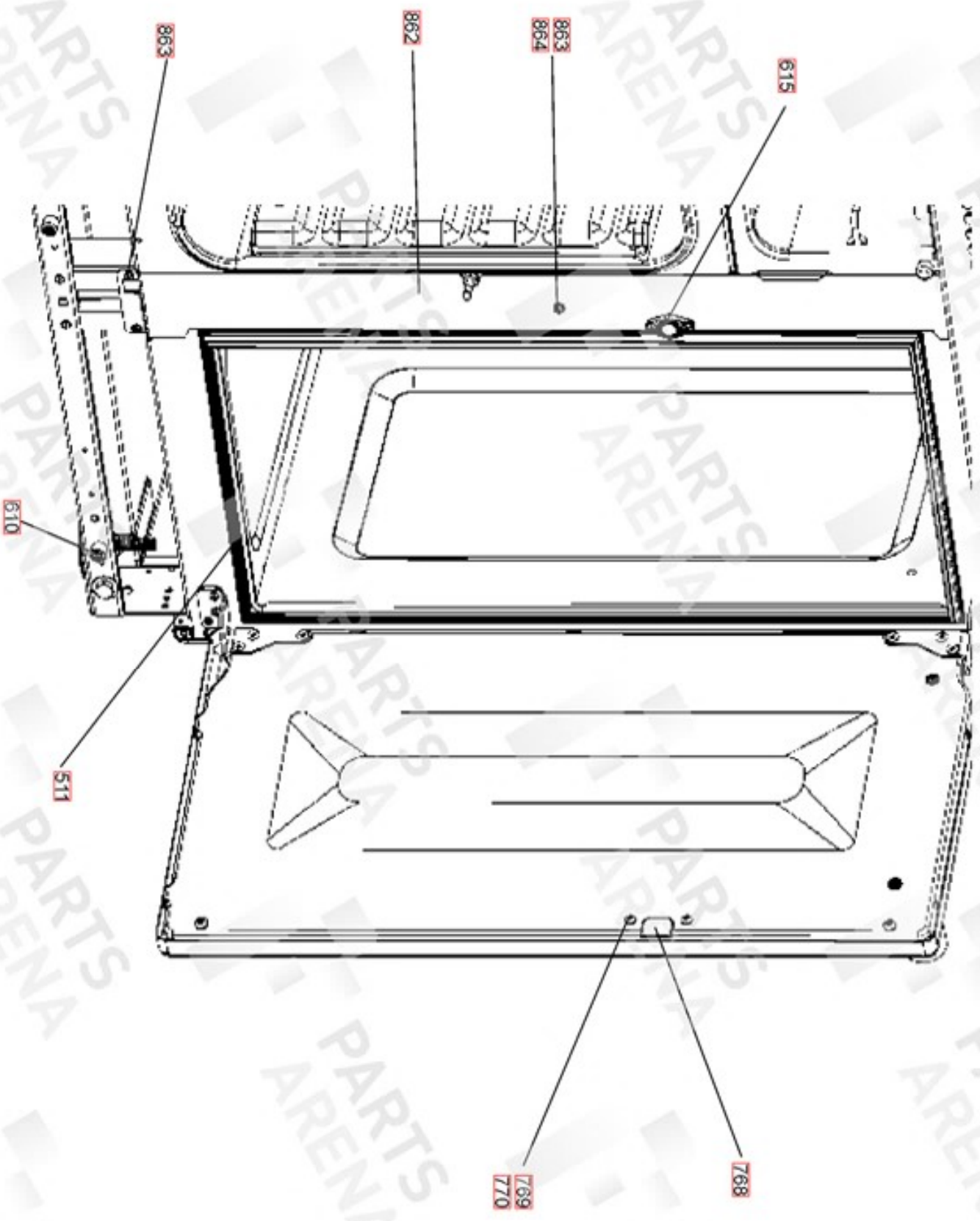


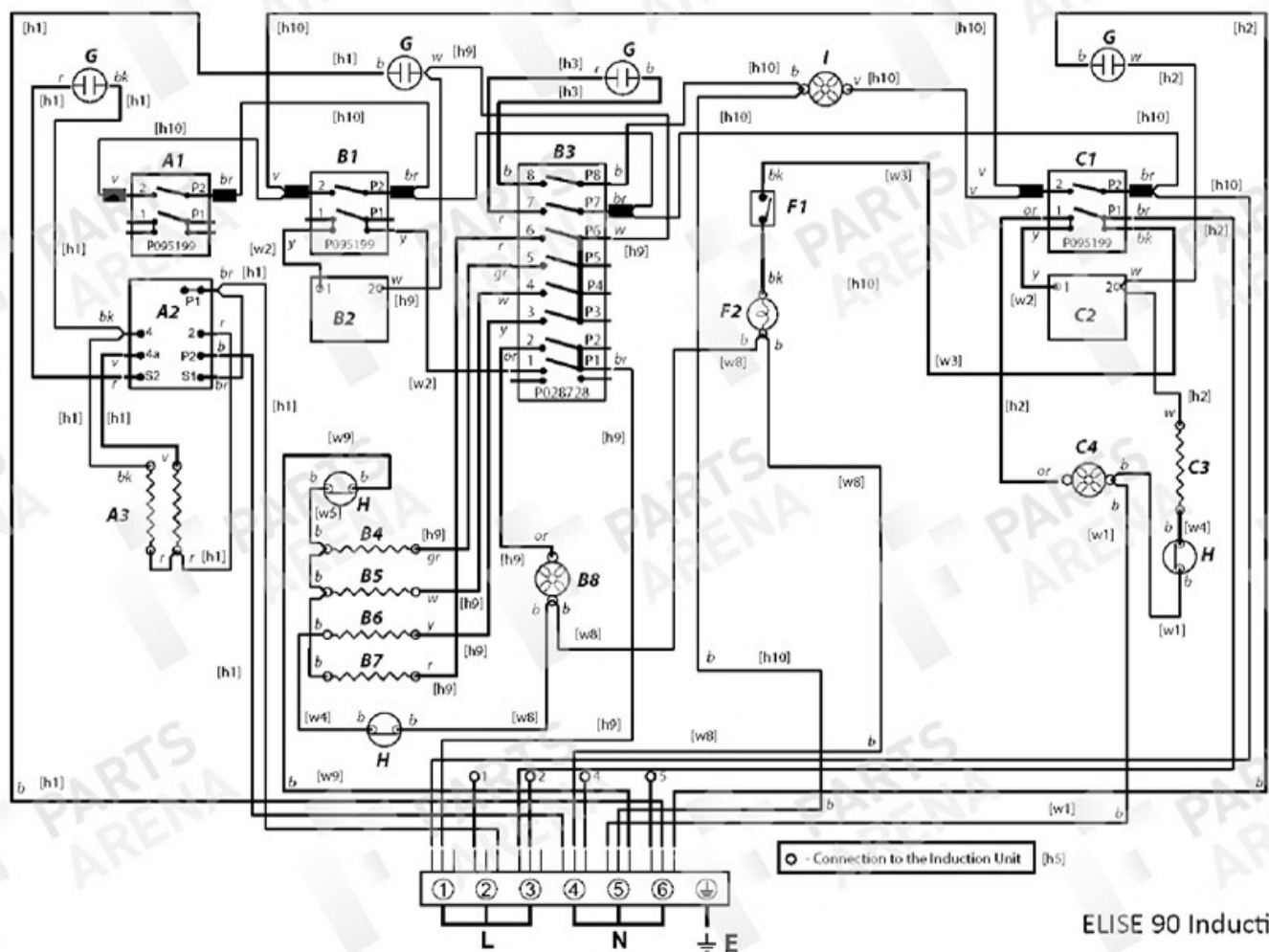












ELISE 90 Induction

Ref Number	Part Number	Colour	Qty	Remarks
[w1]	P027733	b	1	Wire- Neutral LinkRH Oven
[w2]	P037863	y	3	Wire - RH & LH Oven Thermostat Switch Links & MF Switch Link
[w3]	P038186	bk	1	Wire- RH Front Switch to Light Switch
[w4]	P040066	b	2	Wire - LH & RH Oven neutral Link to Thermal Cutout
[w5]	P040694	b	1	Wire - Neutral Link Top and Bottom Element
[h1]	P041101	r/bk/v/br/b	1	Harness - Grill Harness
[h2]	P043339	b/br/or/w	1	Harness - RH Oven Harness
[h3]	P045846	r/b	1	Harness - MF Neon Link
[h4]	P052814	b/br	1	Harness - (NI) Induction Supply Terminal Block to Bulkhead
[h5]	P051839	b/br/(g/y)	1	Harness - Induction Supply Bulkhead to induction Unit
[h6]	P051766	br	1	Harness - (NI) LIN Bus 8 Way Interface Board to Induction Unit
[h7]	P040937	br	4	Harness - (NI) LIN Bus Rotary Control to Interface Board - Position 1,2,4,5
[h8]	P040936	br	1	Harness - (NI) LIN Bus Rotary Control to Interface Board - Position 3
[w6]	P052073	g/y	1	Wire - (NI) Earth Link Frame to Induction Unit
[w7]	P045284	g/y	1	Wire- (NI) Earth Link LH & RH Ovens
[w8]	P050986	b	1	Wire- LH Oven_ Fan and Light Neutral Link
[w9]	P052121	b	1	Wire- LH Oven Thermal Cut Out Neutral Link
[w10]	P055374	g/y	2	Wire- (NI) Earth Link Grill Elements
[h9]	P059644	y/w/gr/b/r/or/br	1	Harness - LH Oven Harness
[w11]	P094943	g/y	2	Wire - (NI) Thermostat Earth
[h10]	P063931	br/b/bk/v	1	Harness - Cooling Fan Control_ Light Switch

Code	Description
A1	Grill Front Switch
A2	Grill Energy Regulator
A3	Grill Elements -LH / RH
B1	Left-Hand Oven Thermostat Switch
B2	Left Hand Oven Thermostat
B3	Left Hand Oven Multi Function Switch
B4	Left Hand Oven Top Element (Outer)
B5	Left Hand Oven Top Element (Inner)
B6	Left Hand Oven Fan Element
B7	Left hand Oven Base Element
B8	Left Hand Oven Fan

Code	Description
C1	Right - Hand Oven Front Switch
C2	Right - Hand Oven Thermostat
C3	Right- Hand Oven Element
C4	Right - Hand Oven Fan
F1	Oven Light Switch
F2	Left Hand Oven Light
G	Indicator Neon
H	Oven Thermal Preset
H	Cooling Fan

Code	Colour
b	Blue
br	Brown
bk	Black
or	Orange
r	Red
v	Violet
w	White
y	Yellow
g/y	Green/Yellow
gr	Grey