

**FALCON / RANGEMASTER
ELISE 110 INDUCTION G5 MK2**

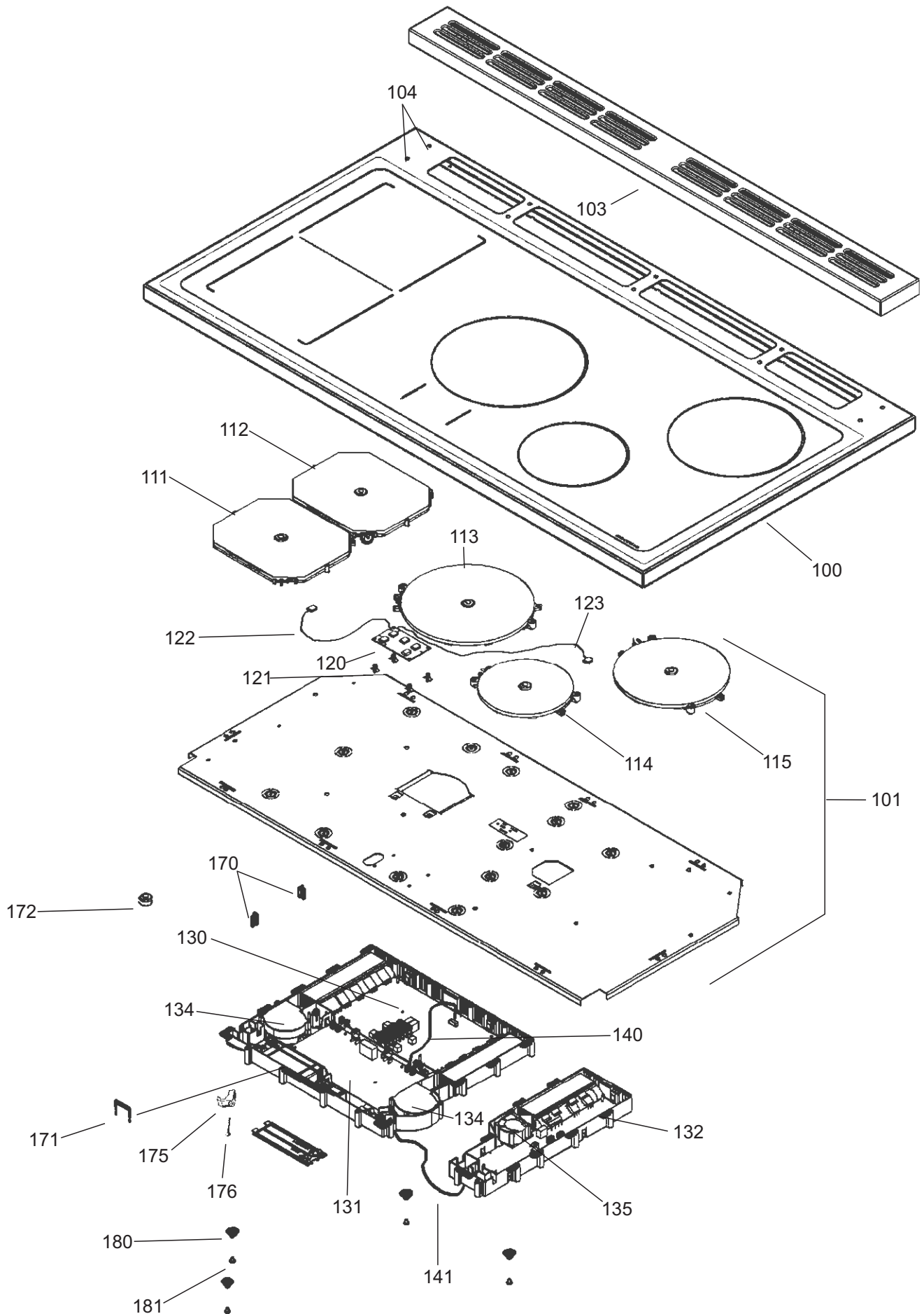
DATE: 21.02.2019

DSL0789 P00

ISSUE:01



OVERALL APPLIANCE

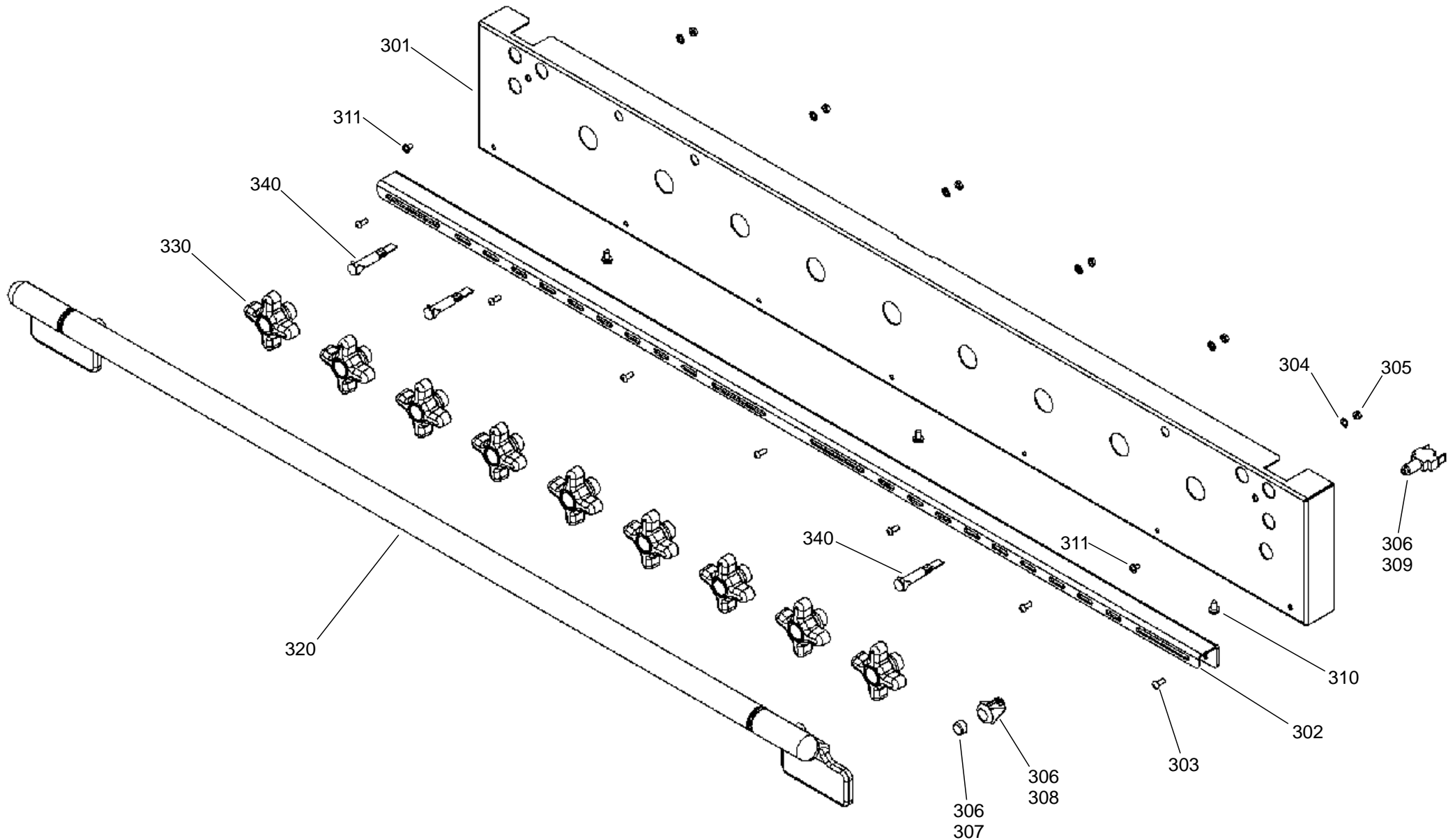


HOB AND INDUCTION ASSEMBLY

FALCON / RANGEMASTER ELISE 110 INDUCTION G5 MK2

DATE: 21.02.2019

DSL0789 P03
ISSUE:01

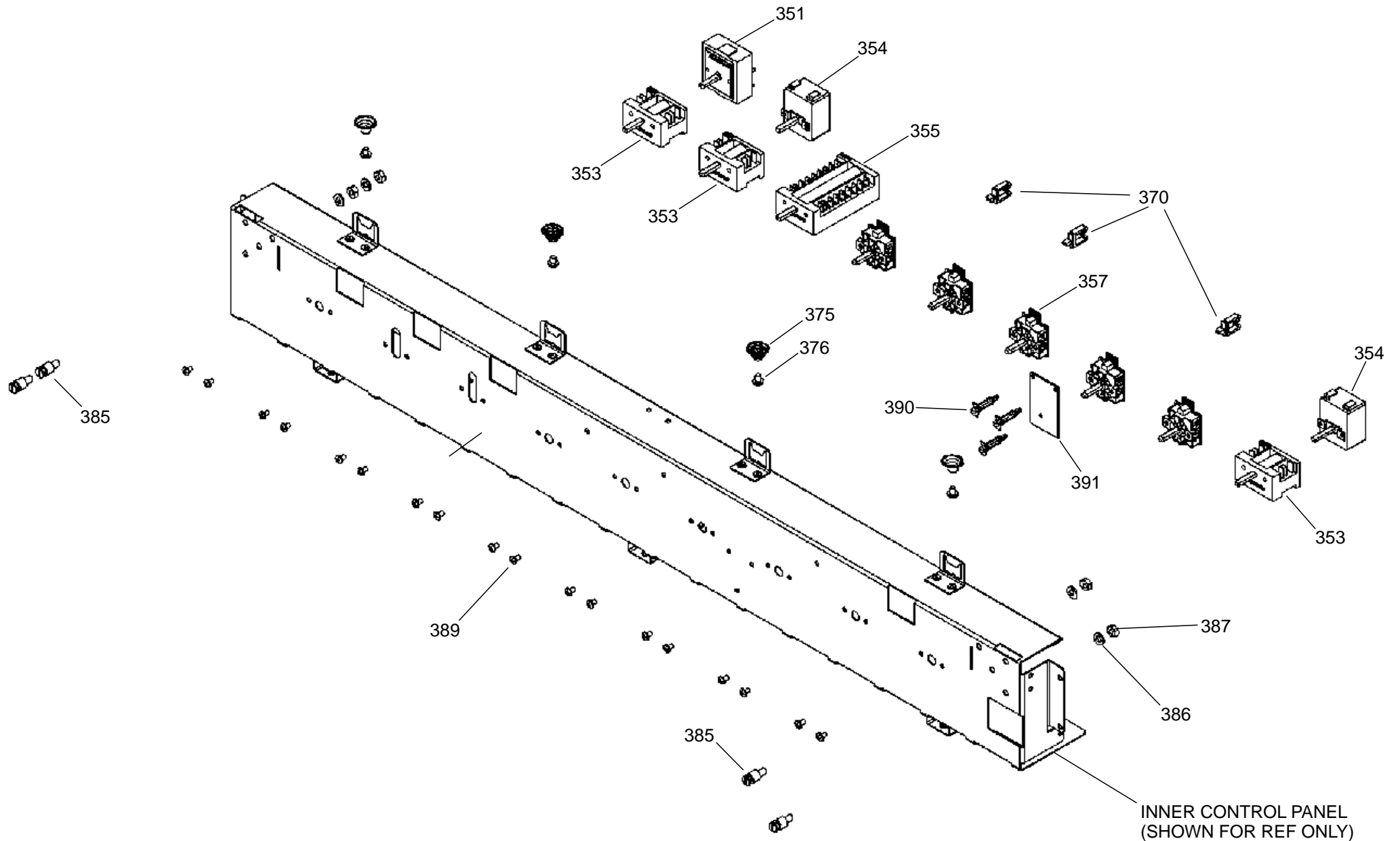


FACIA - CONTROLS - KNOBS

FALCON / RANGEMASTER ELISE 110 INDUCTION G5 MK2

DATE: 21.02.2019

DSL0789 P03A
ISSUE:01



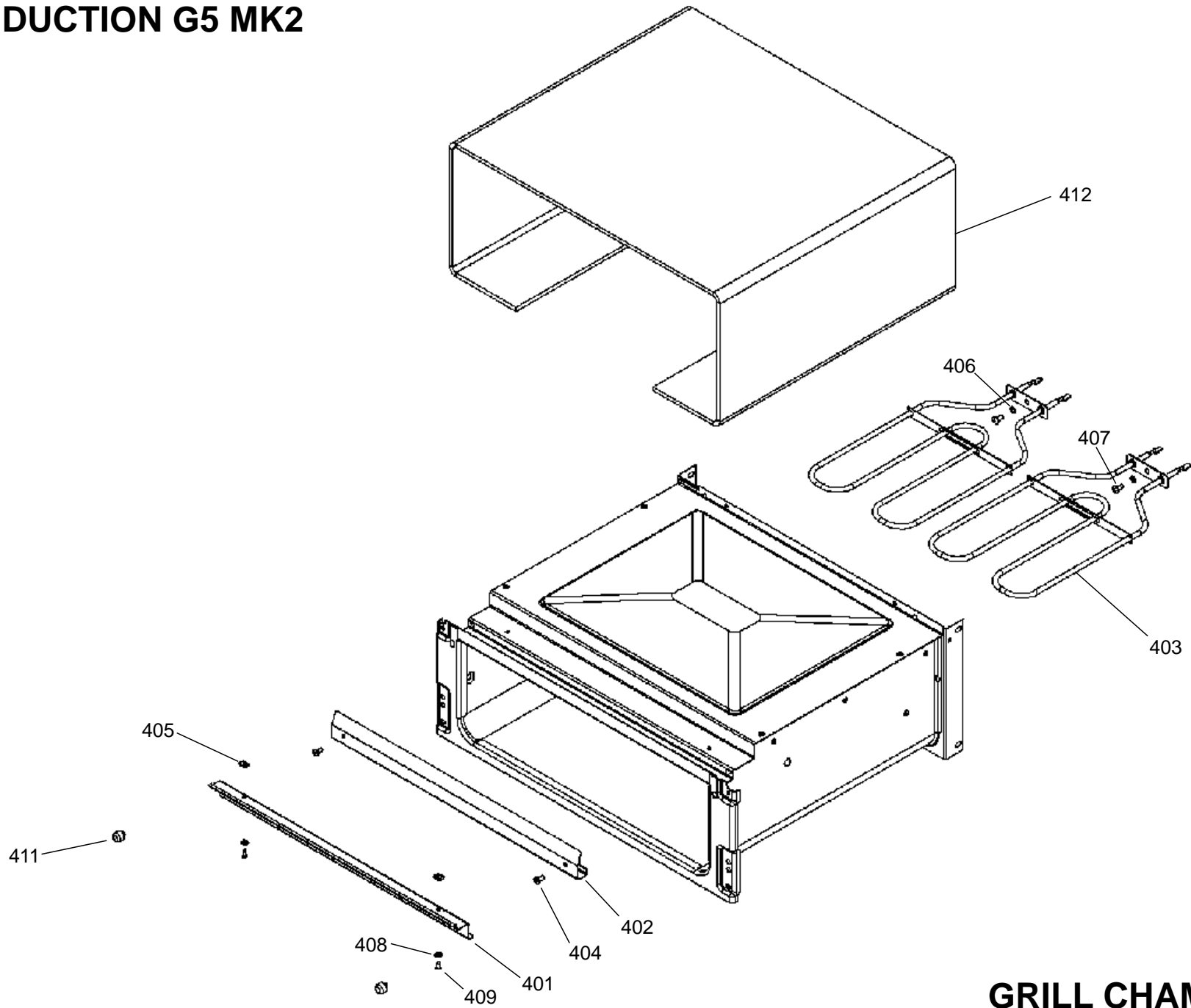
CONTROL ASSEMBLY

INNER CONTROL PANEL
(SHOWN FOR REF ONLY)

**FALCON / RANGEMASTER
ELISE 110 INDUCTION G5 MK2**

DATE: 21.02.2019

DSL0789 P04
ISSUE:01



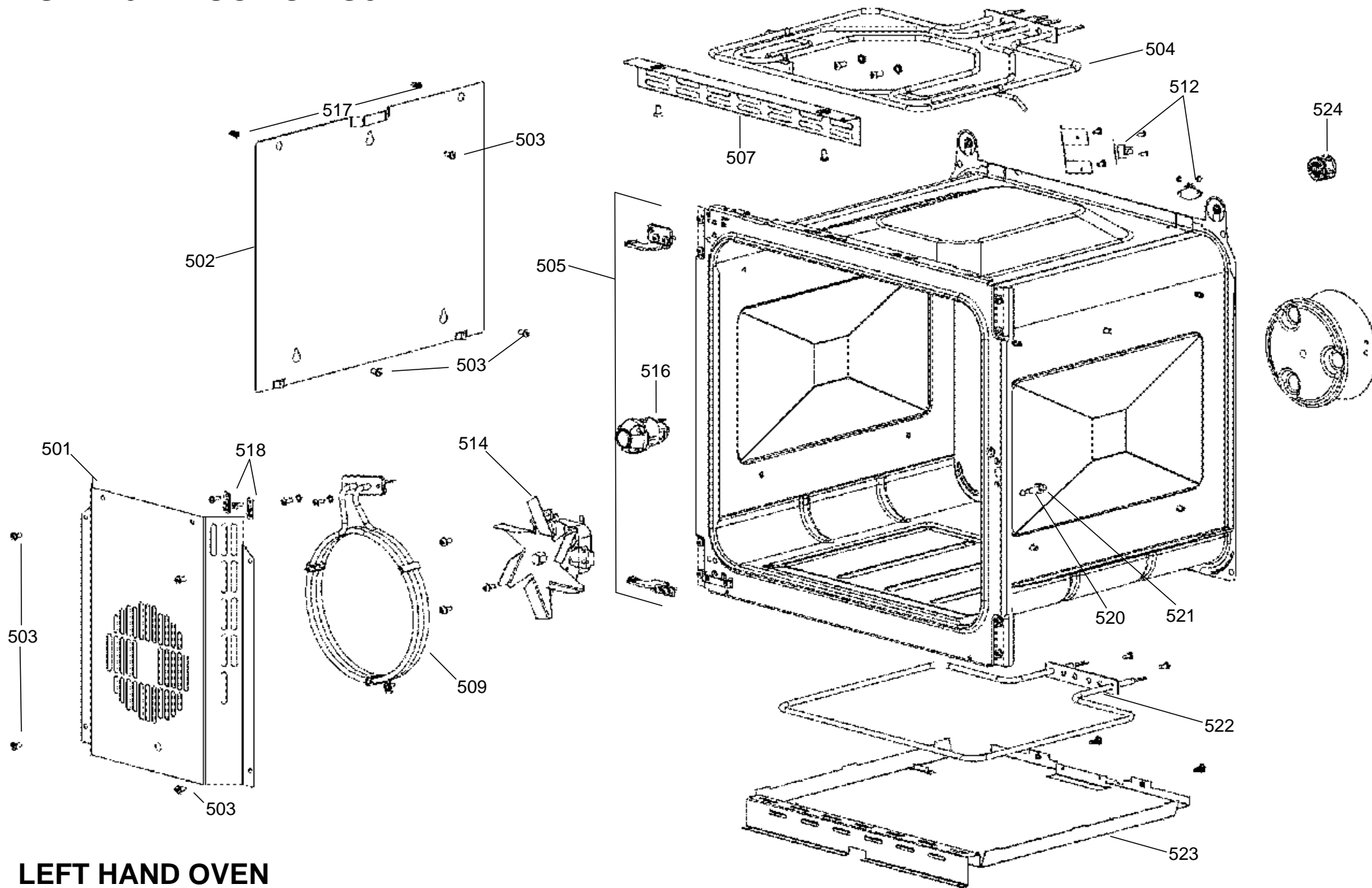
GRILL CHAMBER

FALCON / RANGEMASTER ELISE 110 INDUCTION G5 MK2

DATE: 21.02.2019

DSL0789 P05

ISSUE:01



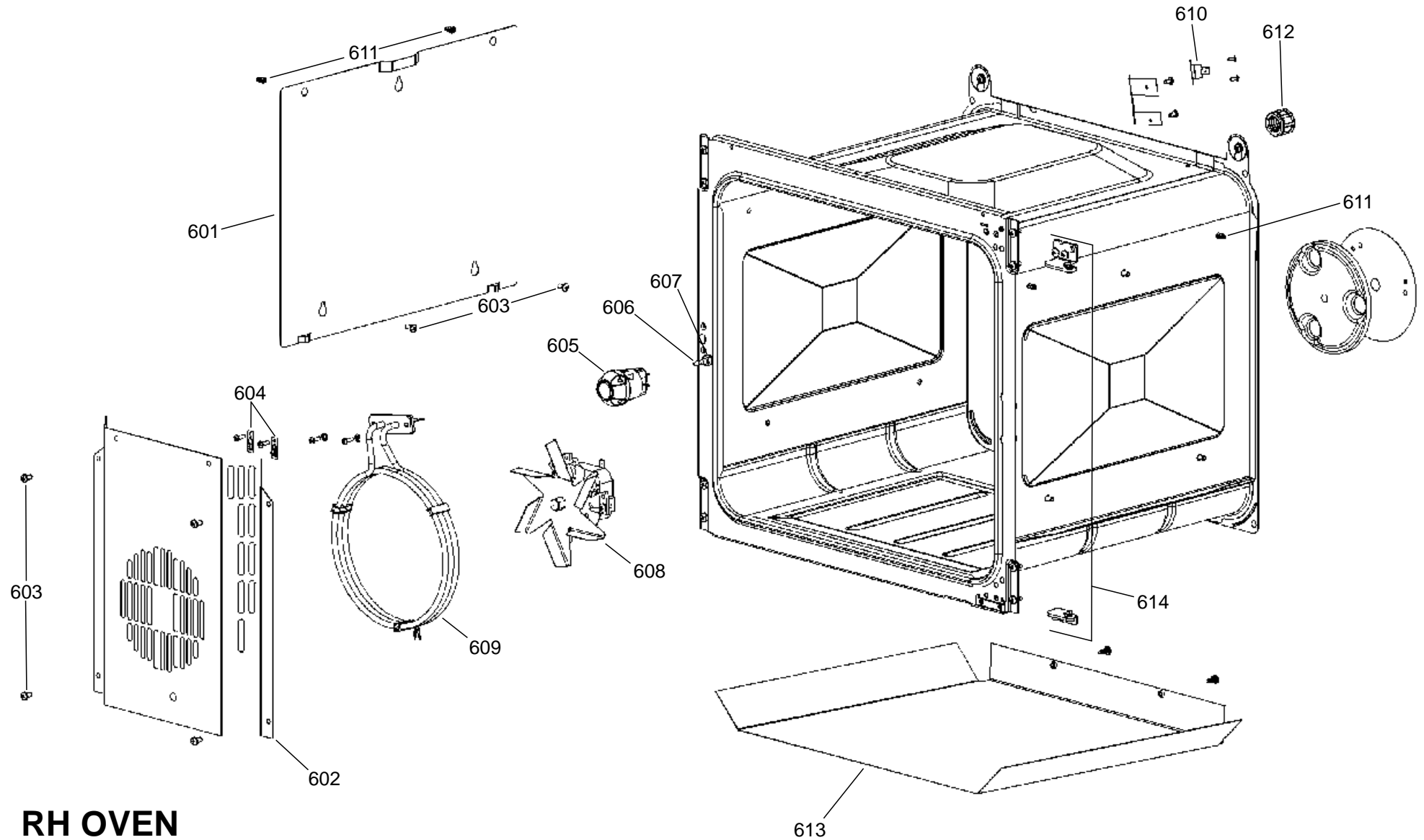
LEFT HAND OVEN

FALCON / RANGEMASTER ELISE 110 INDUCTION G5 MK2

DATE: 21.02.2019

DSL0789 P06

ISSUE:01

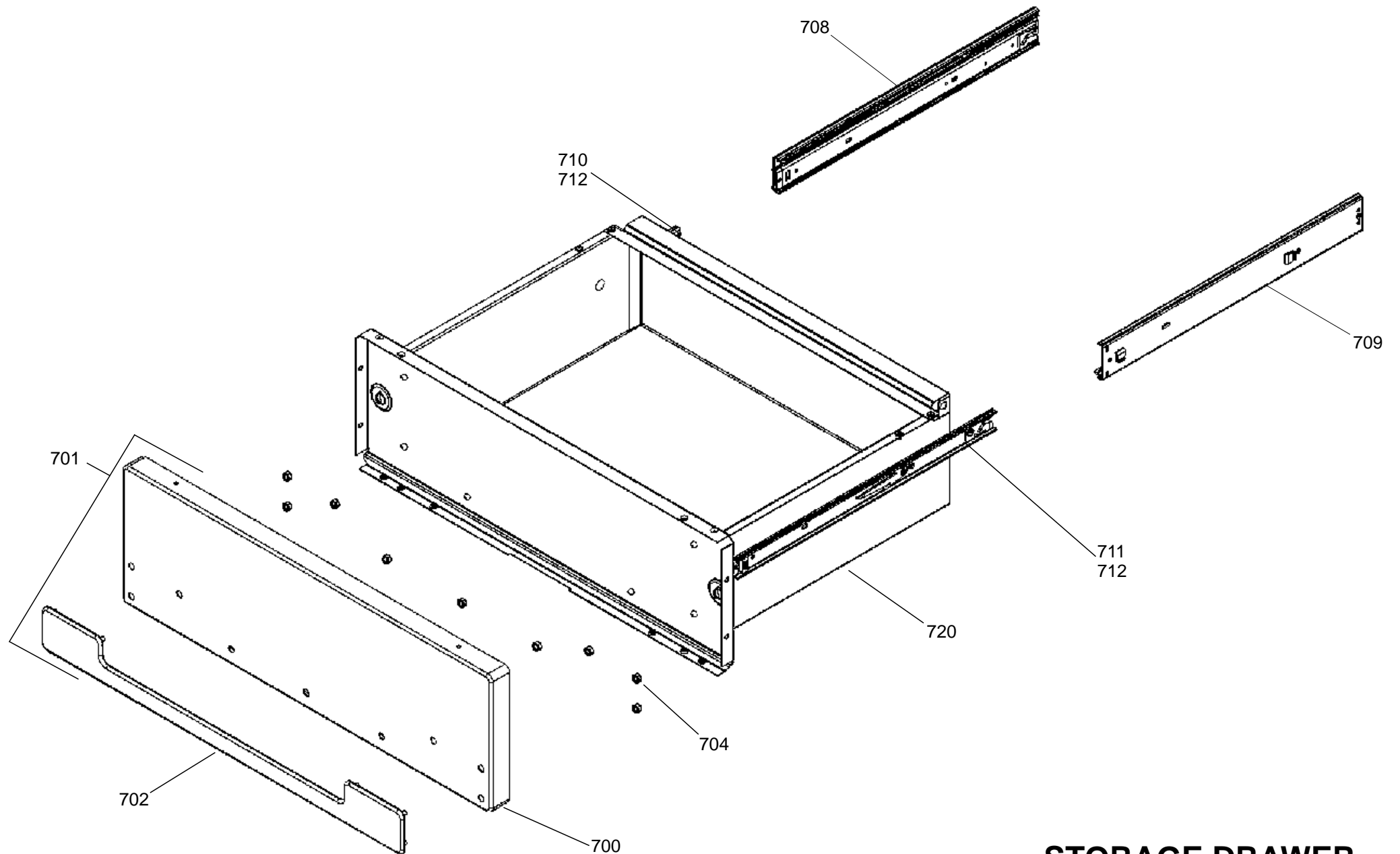


RH OVEN

**FALCON / RANGEMASTER
ELISE 110 INDUCTION G5 MK2**

DATE: 21.02.2019

DSL0789 P07
ISSUE:01



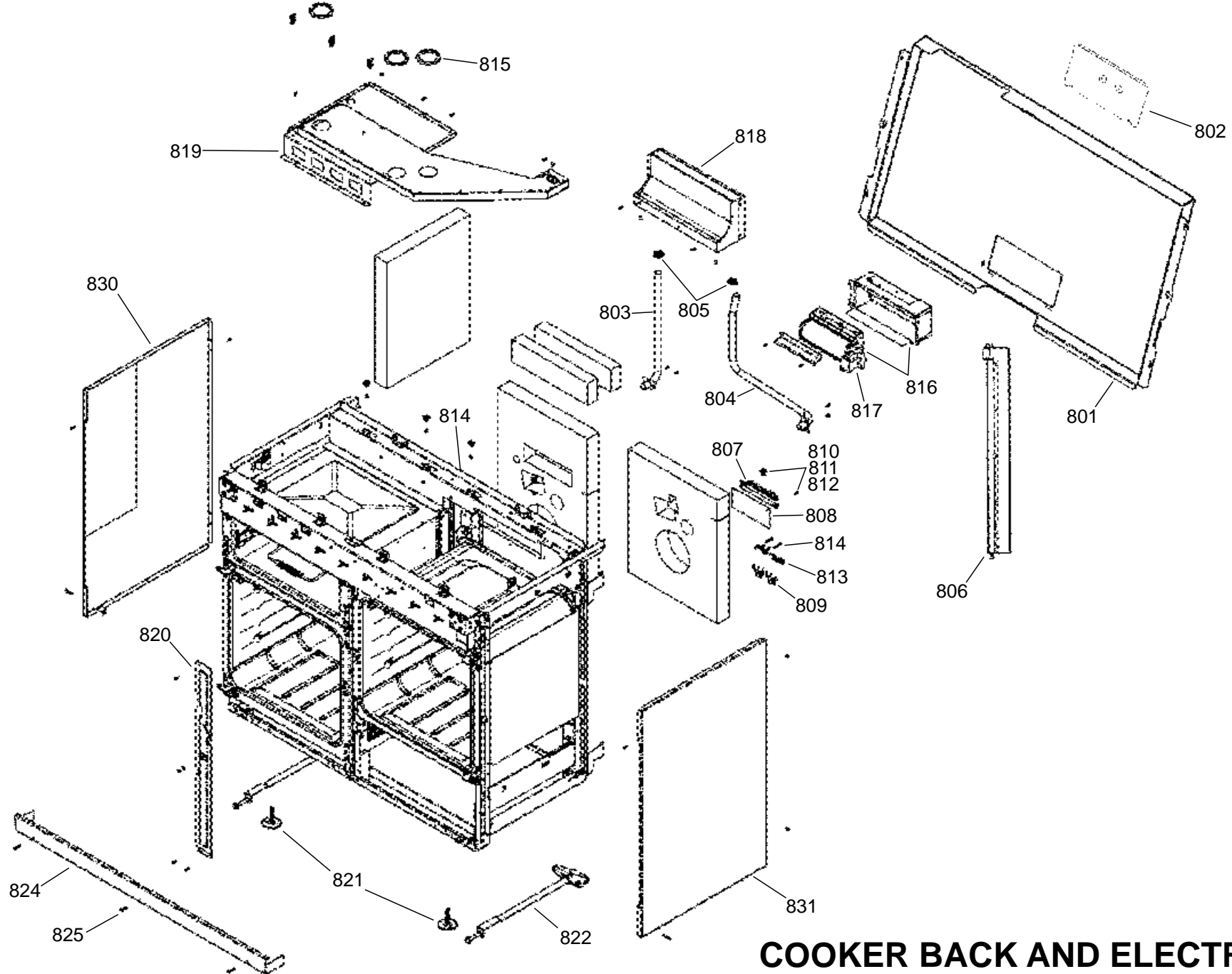
STORAGE DRAWER

FALCON / RANGEMASTER ELISE 110 INDUCTION G5 MK2

DATE: 21.02.2019

DSL0789 P08

ISSUE:01



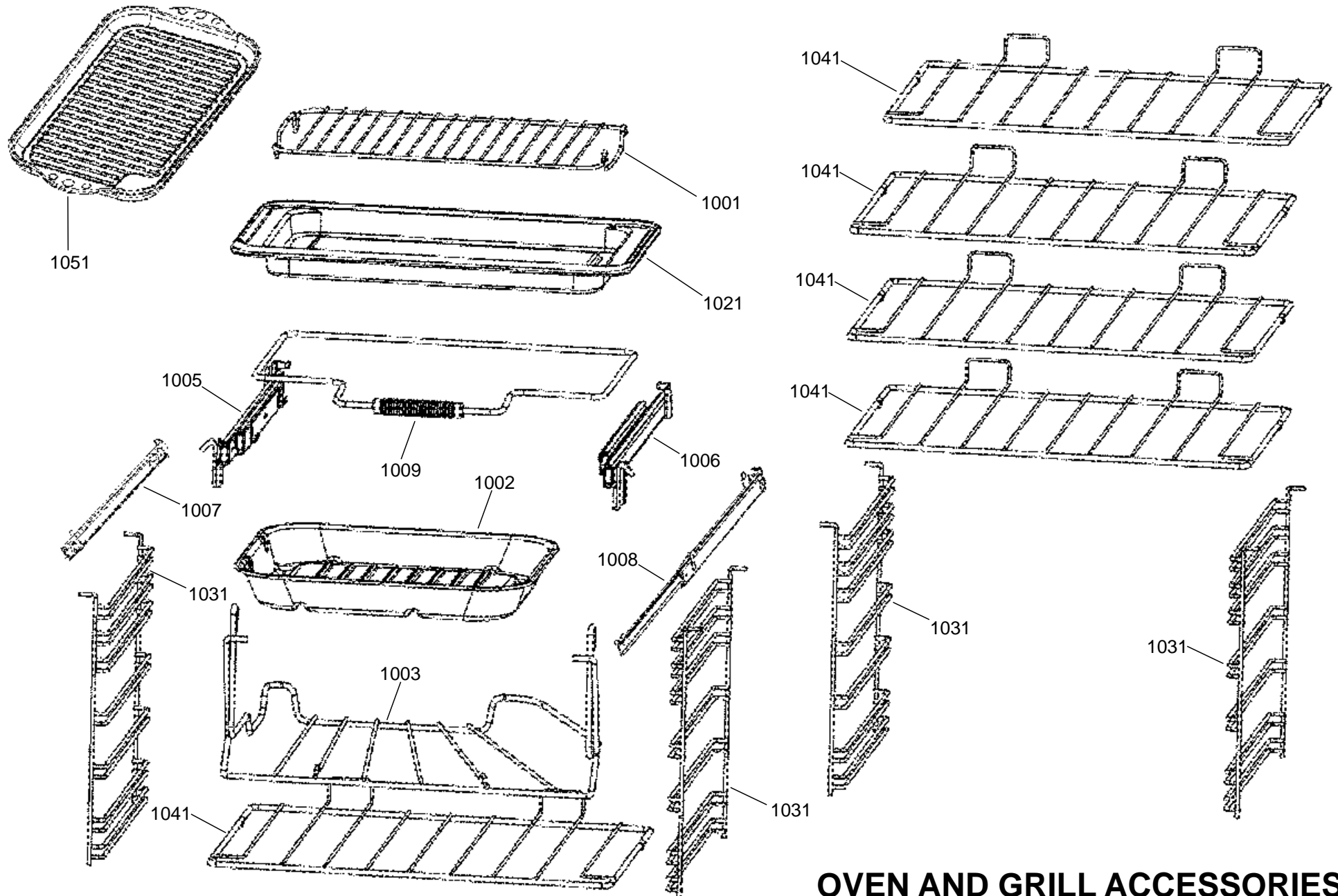
COOKER BACK AND ELECTRICAL

FALCON / RANGEMASTER ELISE 110 INDUCTION G5 MK2

DATE: 21.02.2019

DSL0789 P10

ISSUE:01



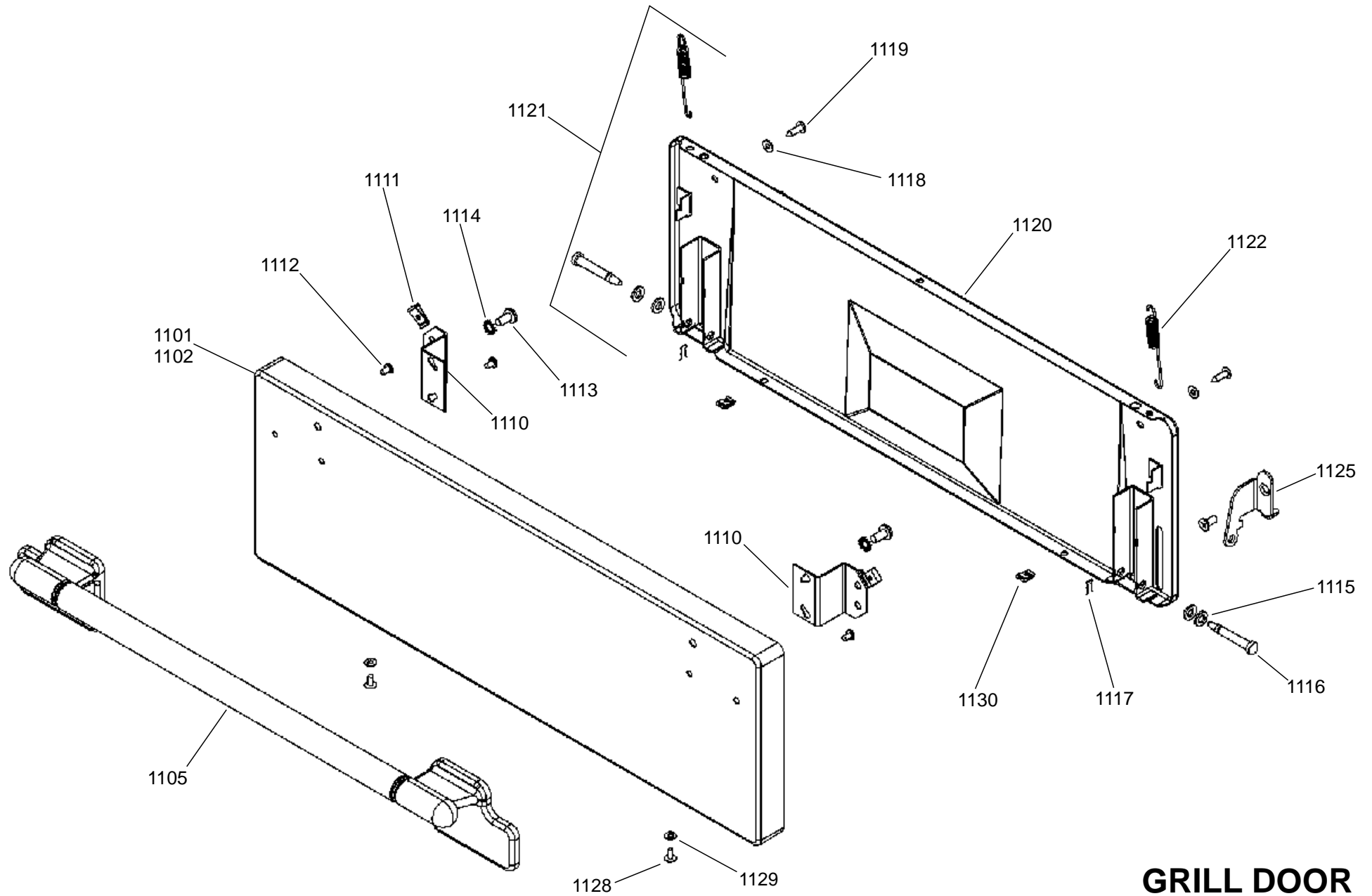
OVEN AND GRILL ACCESSORIES

**FALCON / RANGEMASTER
ELISE 110 INDUCTION G5 MK2**

DATE: 21.02.2019

DSL0789 P11

ISSUE:01



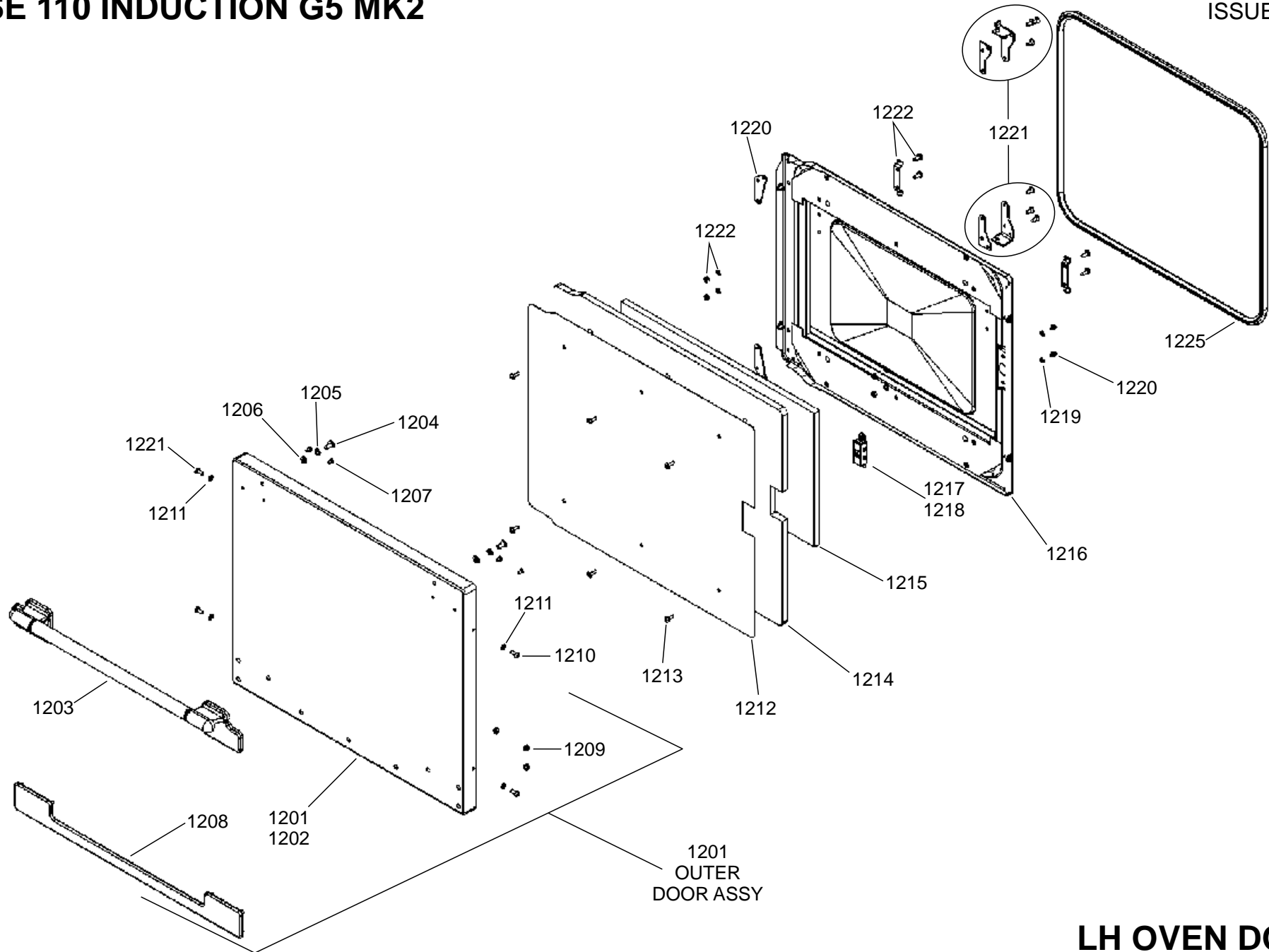
GRILL DOOR

**FALCON / RANGEMASTER
ELISE 110 INDUCTION G5 MK2**

DATE: 21.02.2019

DSL0789 P12

ISSUE:01

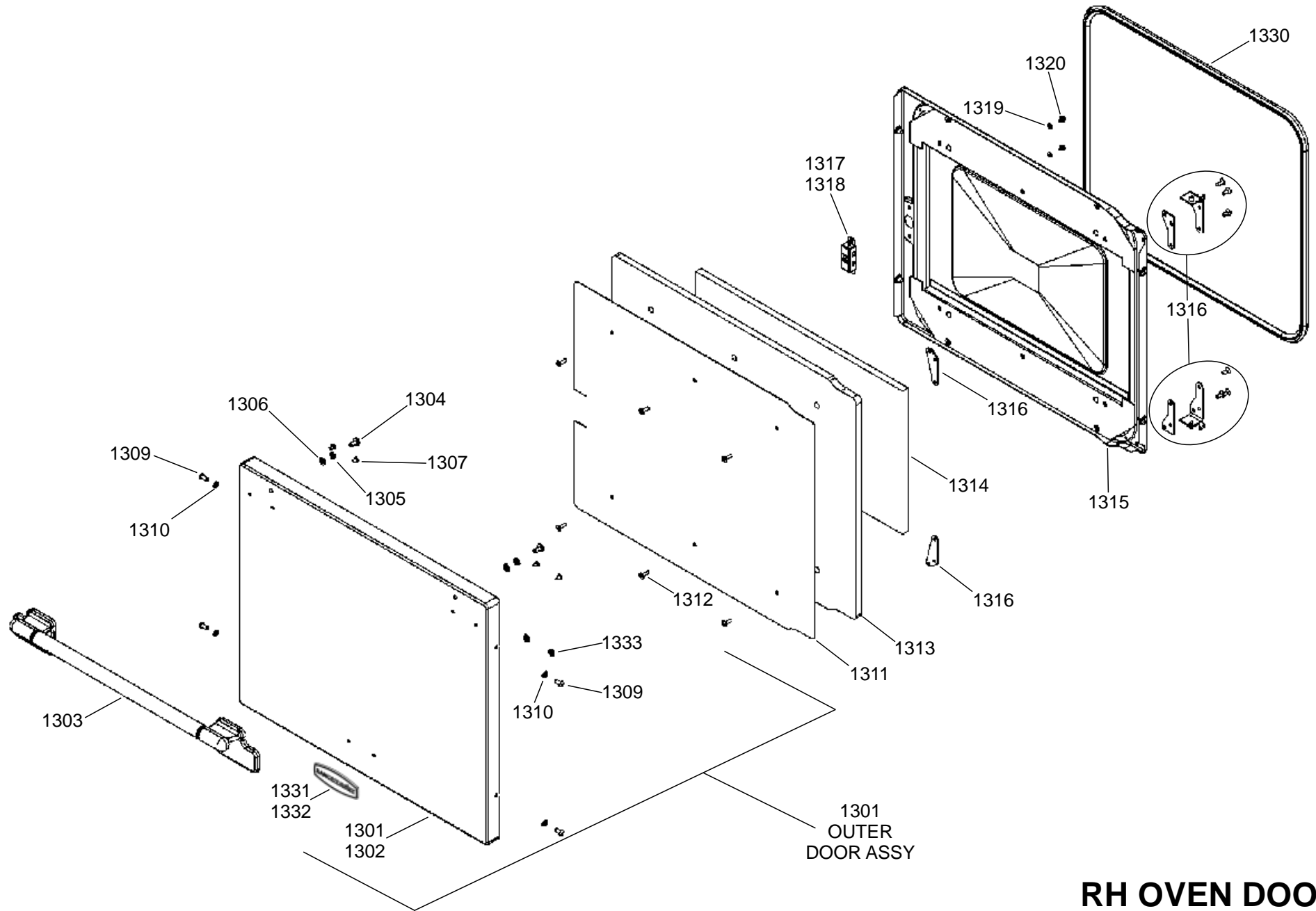


LH OVEN DOOR

**FALCON / RANGEMASTER
ELISE 110 INDUCTION G5 MK2**

DATE: 21.02.2019

DSL0789 P13
ISSUE:01



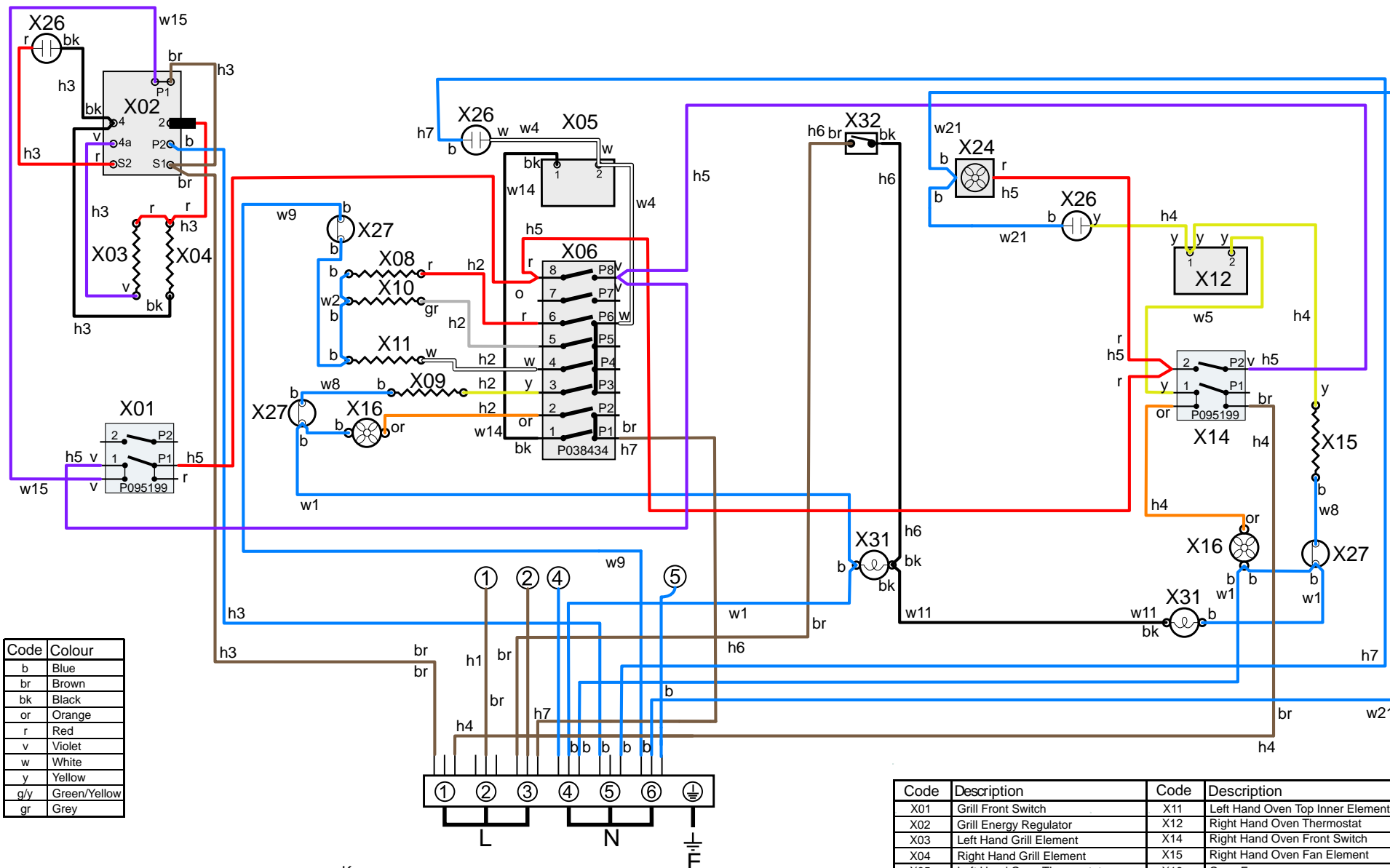
RH OVEN DOOR

FALCON / RANGEMASTER ELISE 110 INDUCTION G5 MK2

DATE: 21.02.2019

DSL0789 P15

ISSUE:01



Code	Colour
b	Blue
br	Brown
bk	Black
or	Orange
r	Red
v	Violet
w	White
y	Yellow
g/y	Green/Yellow
gr	Grey

Key

The connections shown in the circuit diagram are for single-phase. The ratings are for 230v 50Hz
Component positions viewed from the front of the cooker

Code	Description	Code	Description
X01	Grill Front Switch	X11	Left Hand Oven Top Inner Element
X02	Grill Energy Regulator	X12	Right Hand Oven Thermostat
X03	Left Hand Grill Element	X14	Right Hand Oven Front Switch
X04	Right Hand Grill Element	X15	Right Hand Oven Fan Element
X05	Left Hand Oven Thermostat	X16	Oven Fan
X06	Left Hand Oven Multifunction Switch	X26	Neon
X08	Left Hand Oven Fan Element	X27	Thermal Cut-Out
X09	Left Hand Oven Base Element	X31	Oven Light
X10	Left Hand Oven Top Outer Element	X32	Oven Light Switch

WIRING DIAGRAM