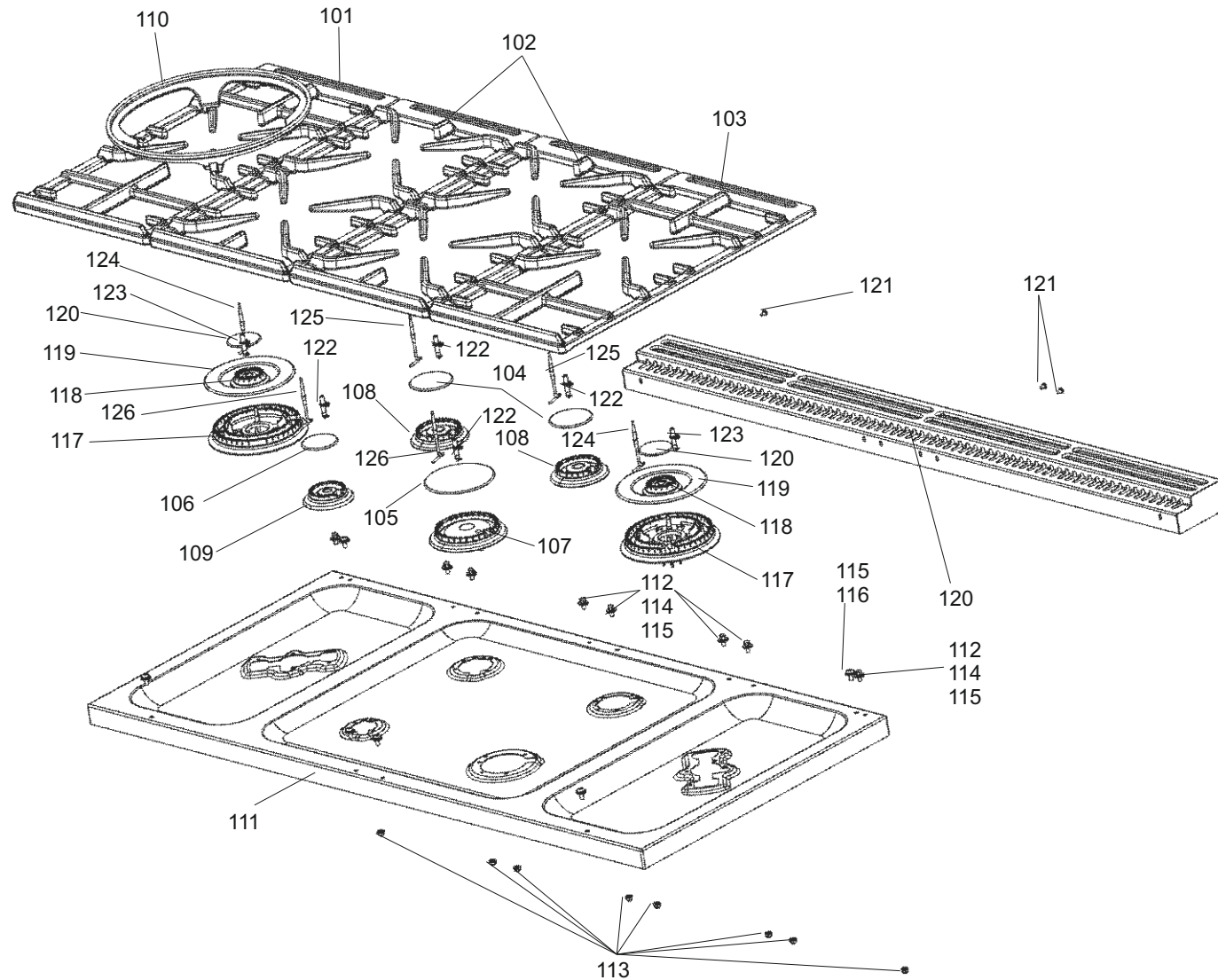


APPLIANCE NAME:
FALCON ELISE 110 DUAL FUEL

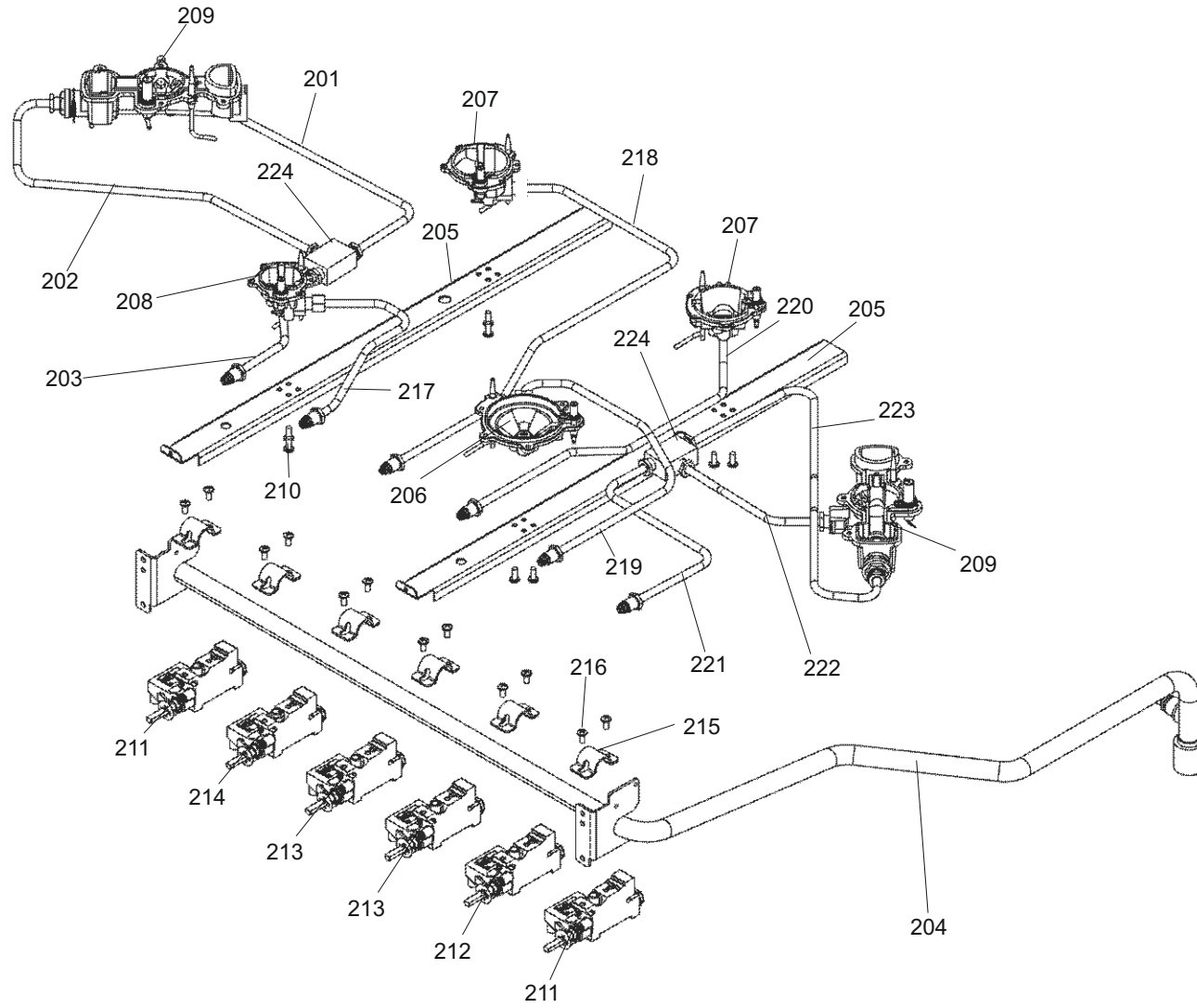
DATE 22.03.2019

DSL0769 P00
ISSUE STATUS 01

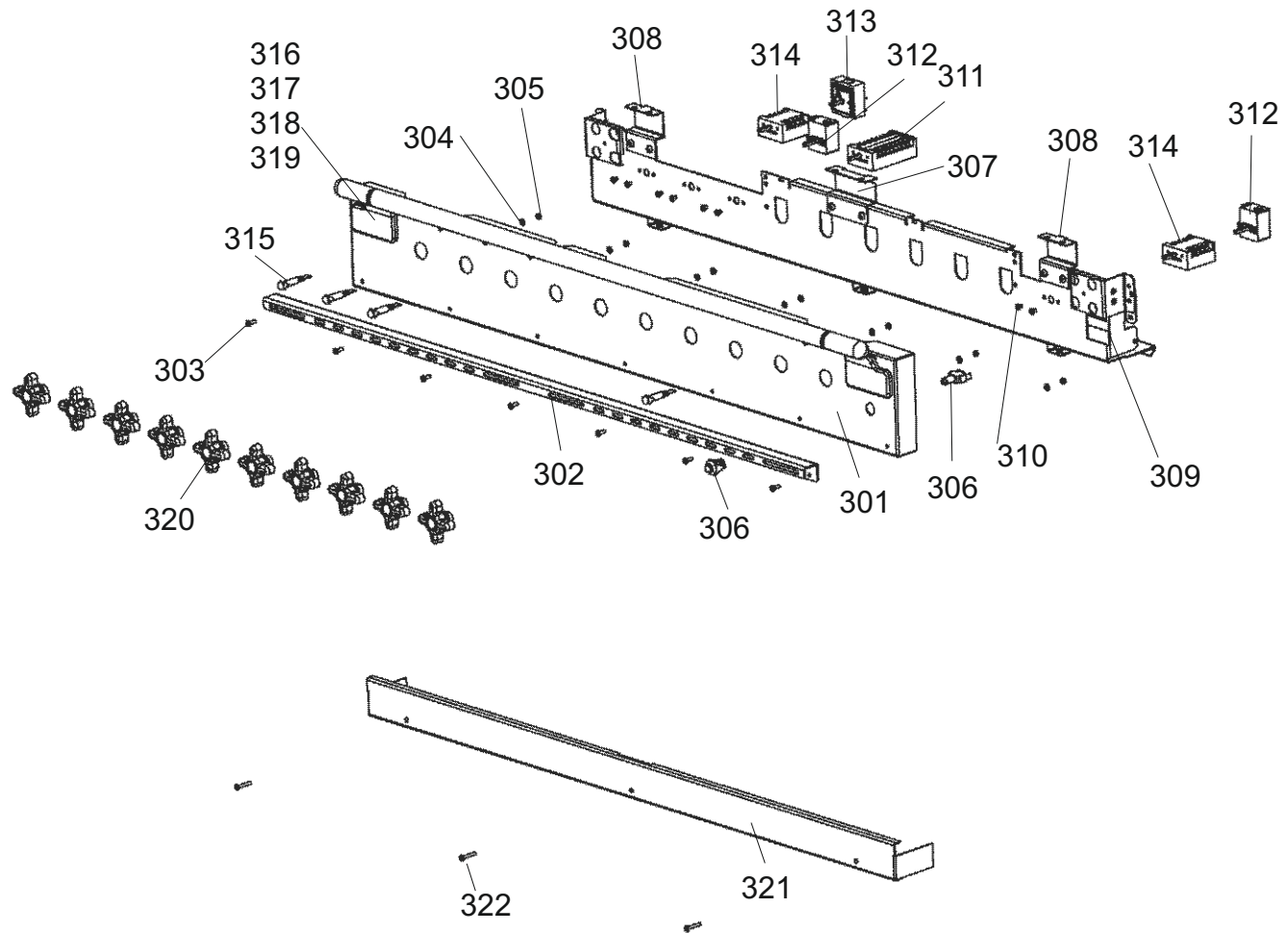


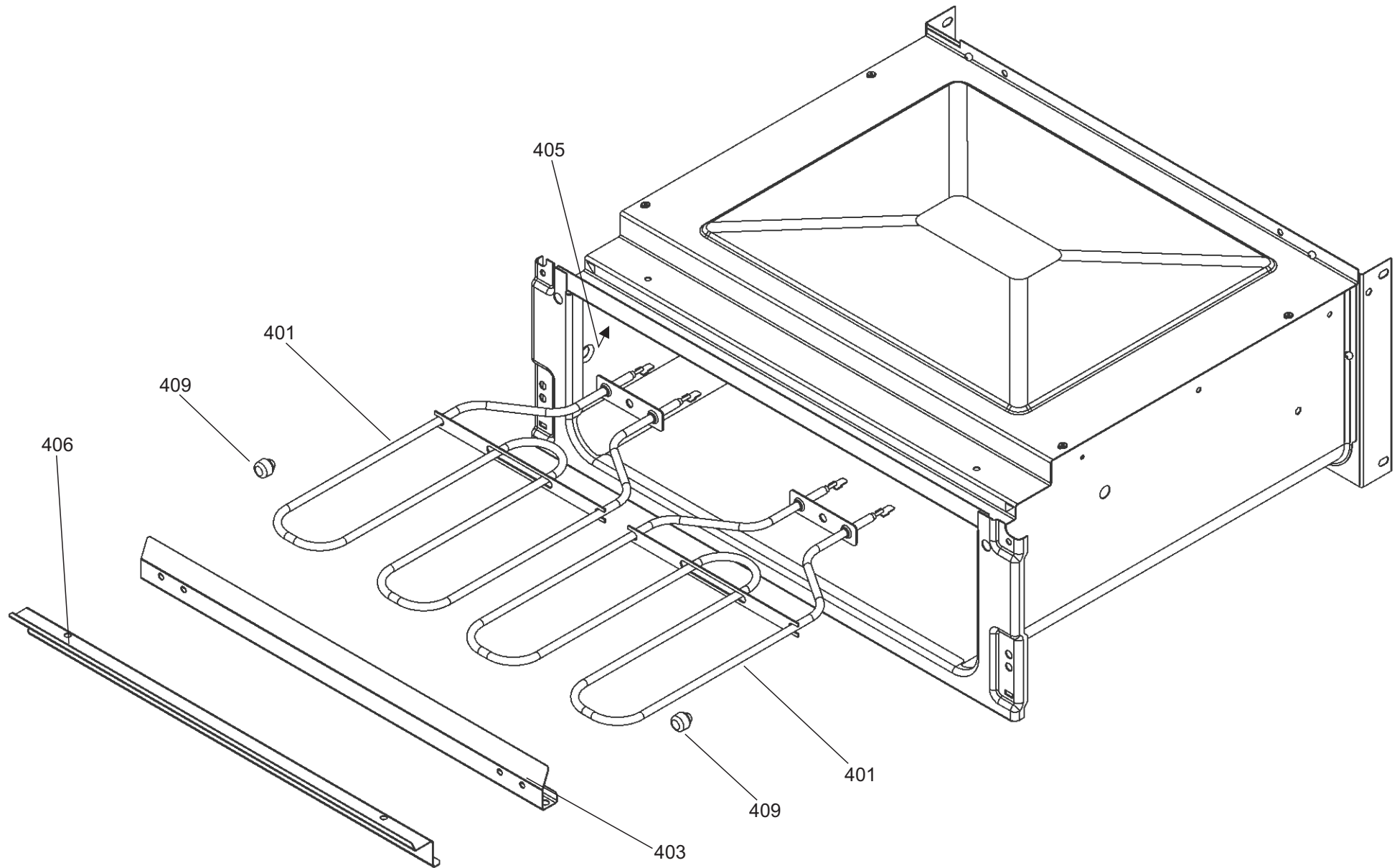


**PAN SUPPORTS BURNERS &
HOTPLATE ASSEMBLY**



GAS RAIL - TAPS - INJECTORS AND PIPES

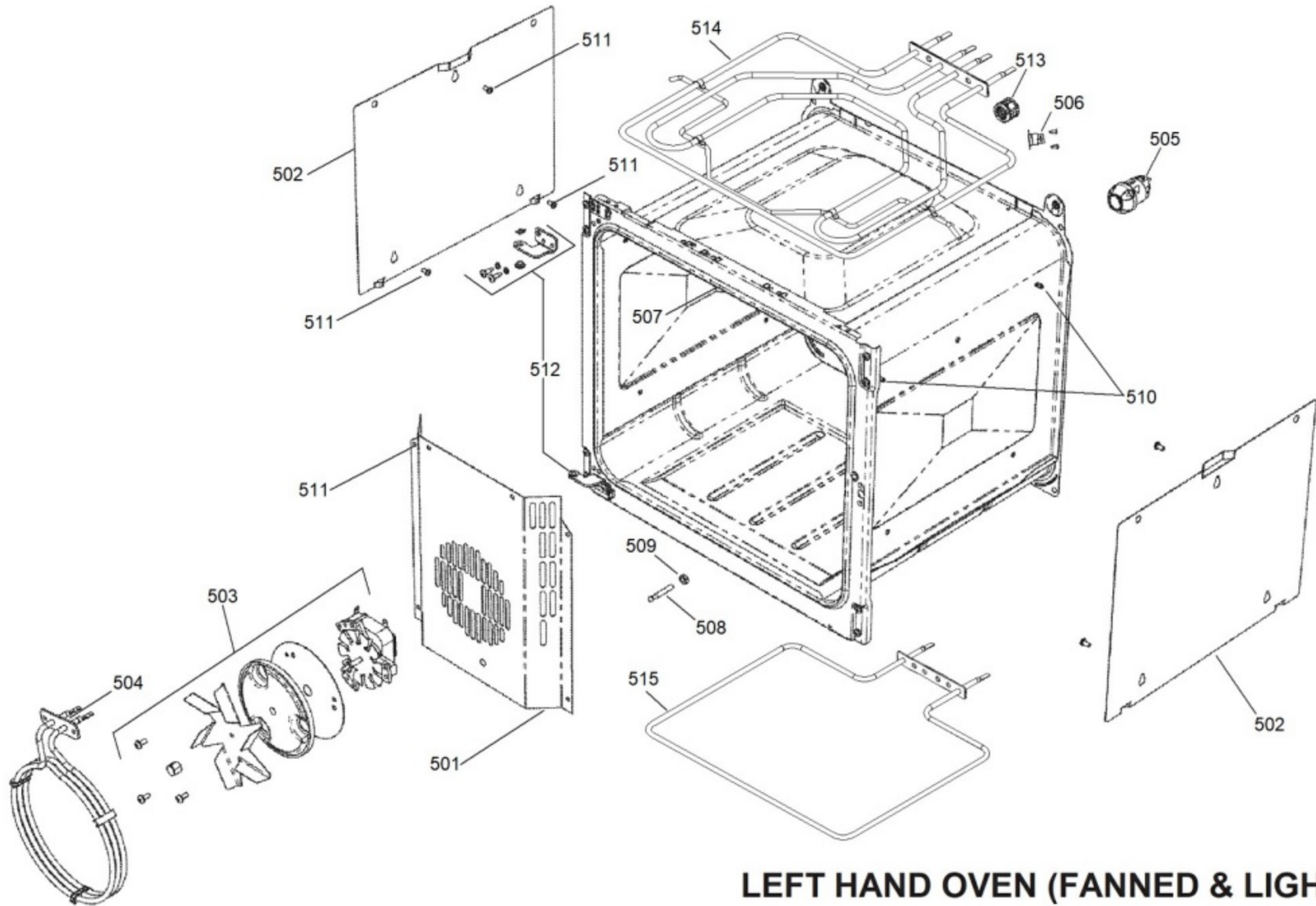




GRILL CHAMBER

ELISE 110 DUAL FUEL

DSL0769 P05



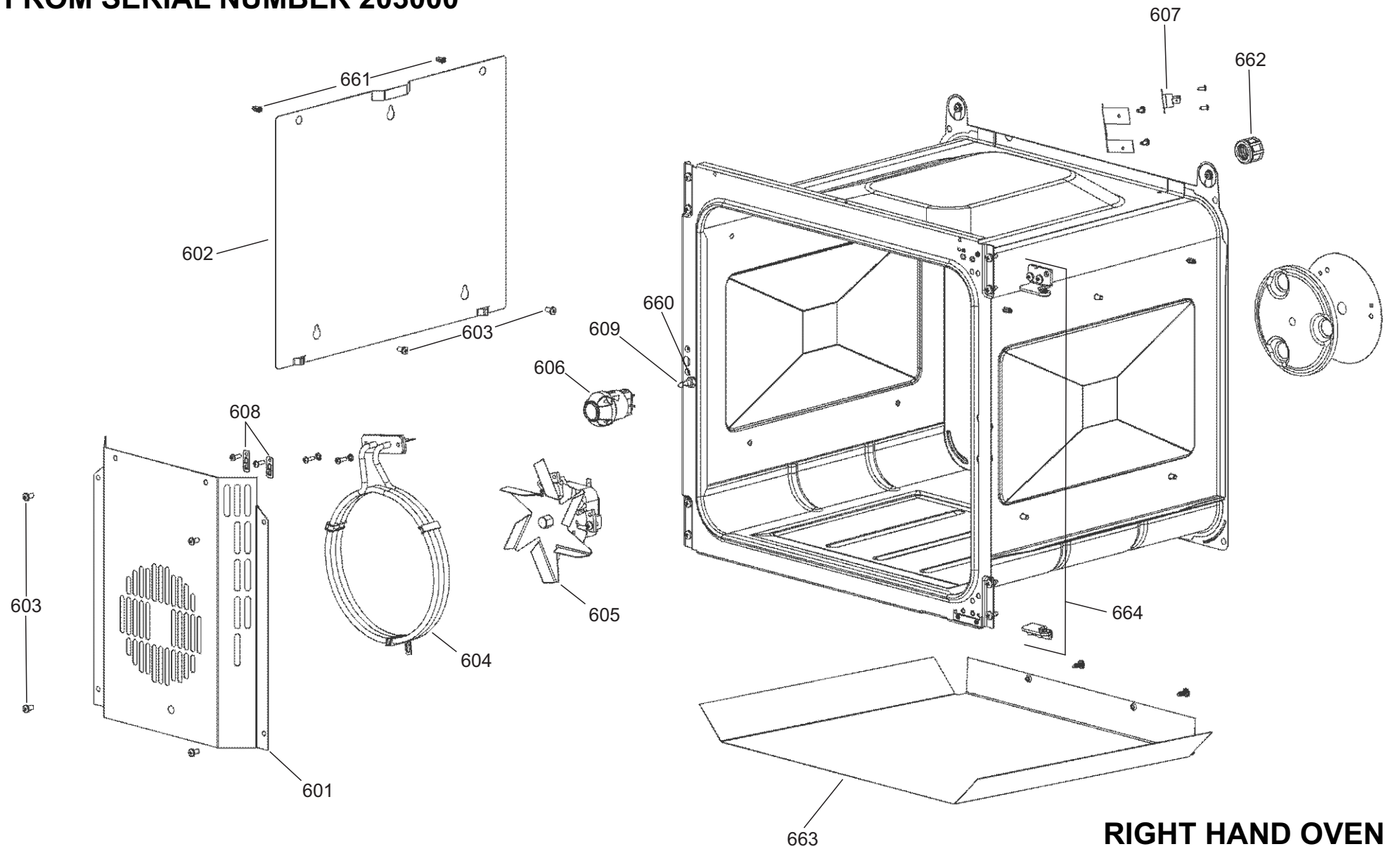
LEFT HAND OVEN (FANNED & LIGHT)

ELISE 110 DUAL FUEL

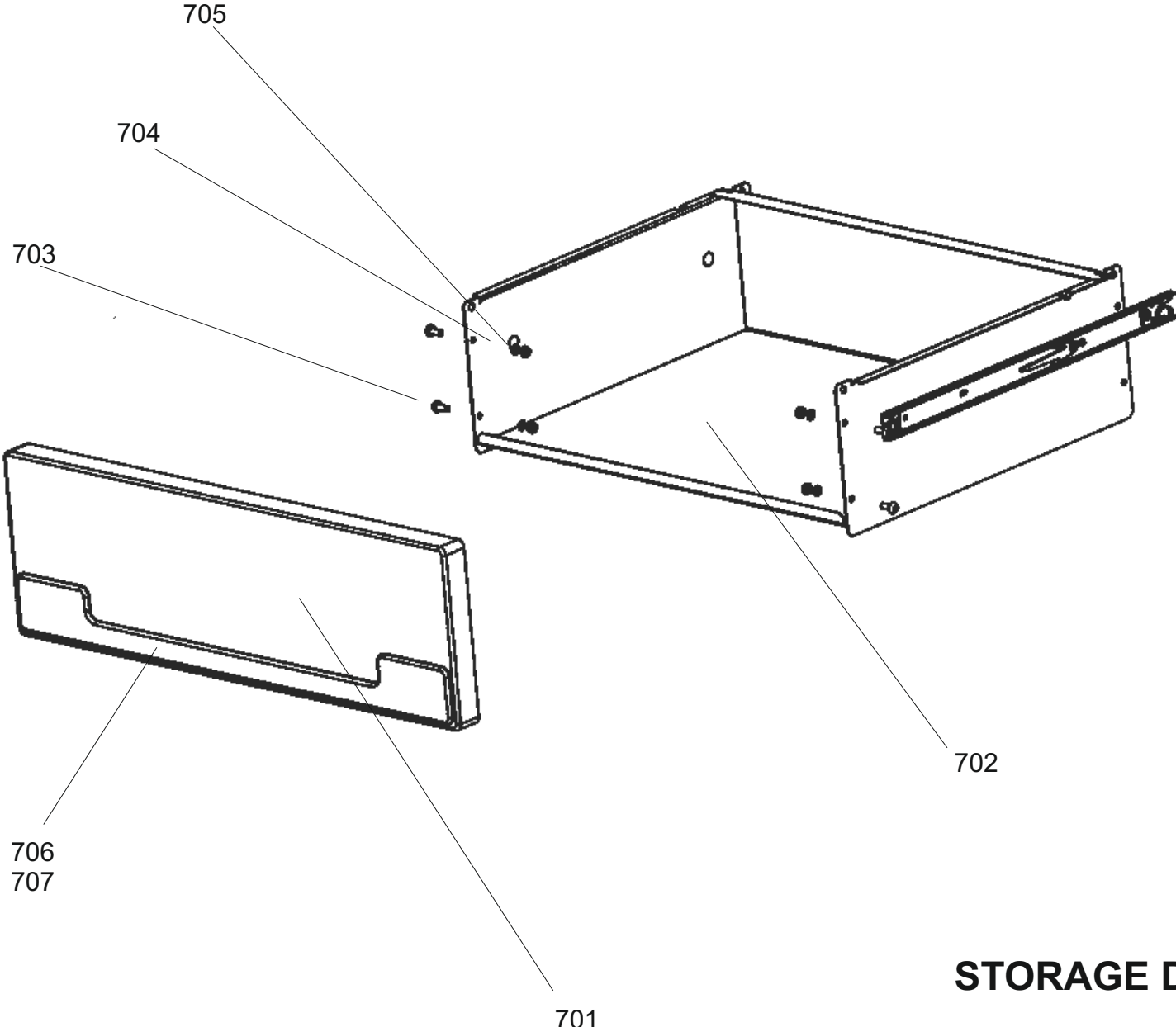
DATE: 22.03.2019

DSL0769 P06
ISSUE 01

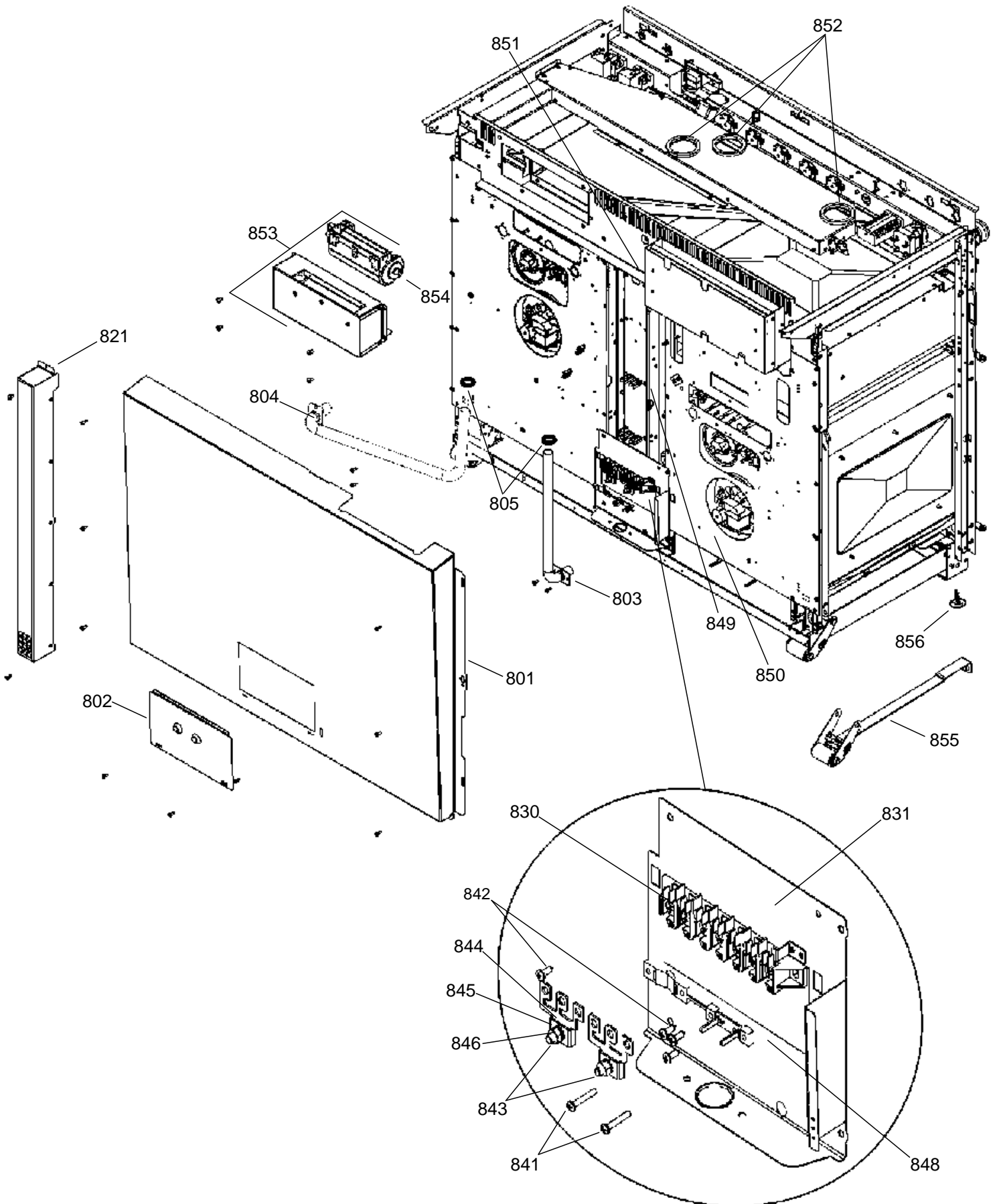
FROM SERIAL NUMBER 203000



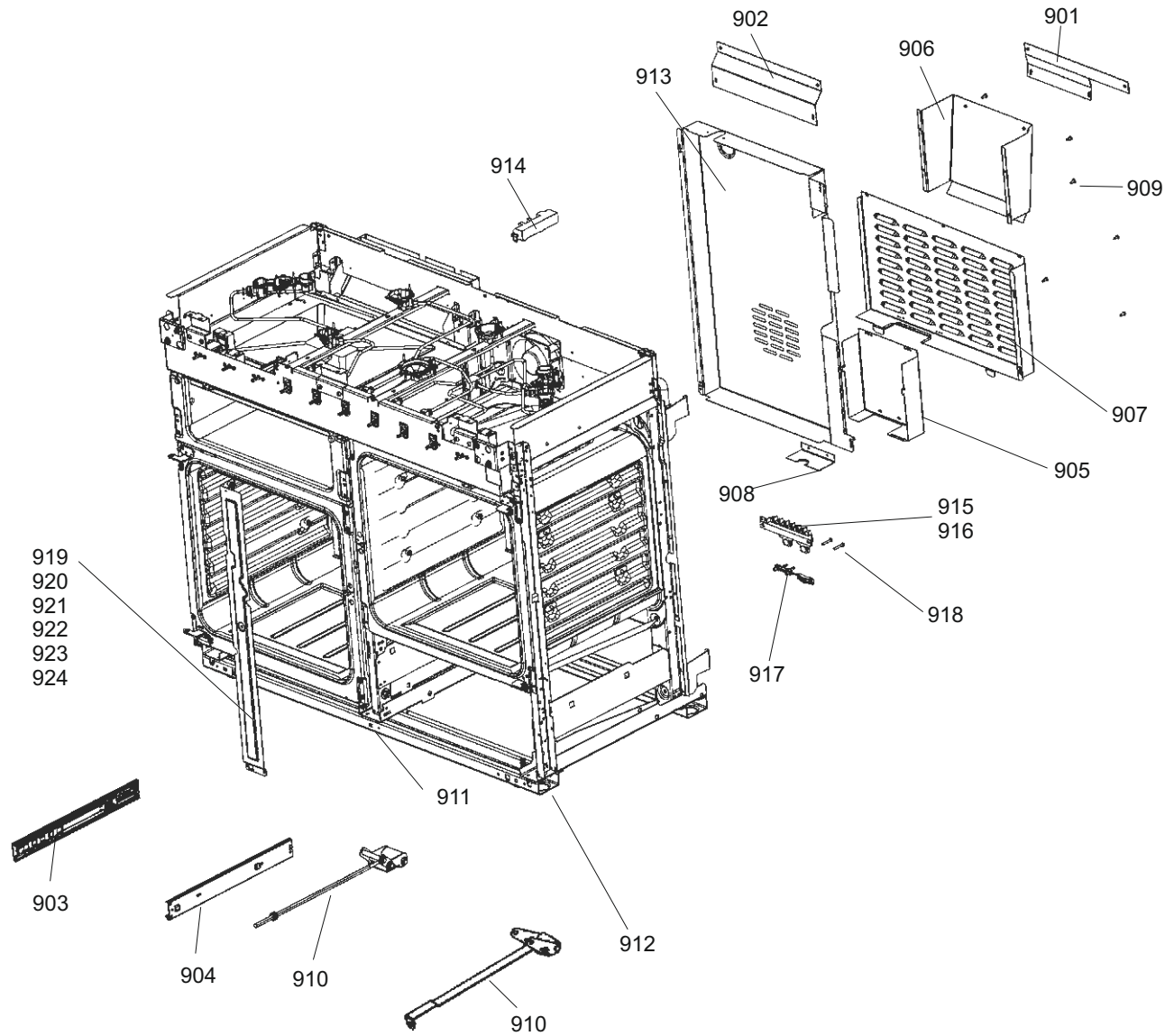
**RIGHT HAND OVEN
(FANNED & LIGHT)**



STORAGE DRAWER



COOKER BACK AND ELECTRICAL

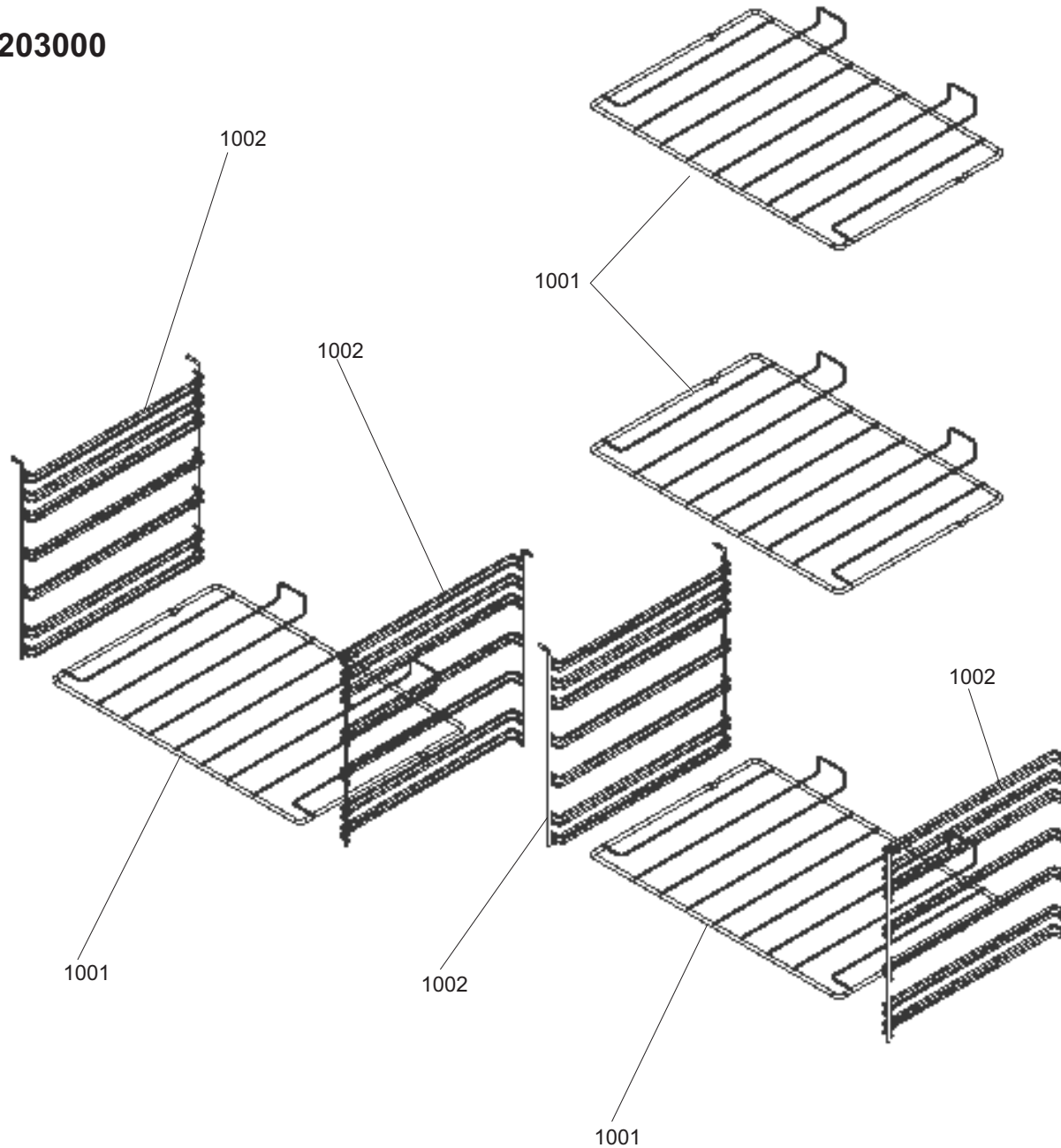


ELISE 110 DF

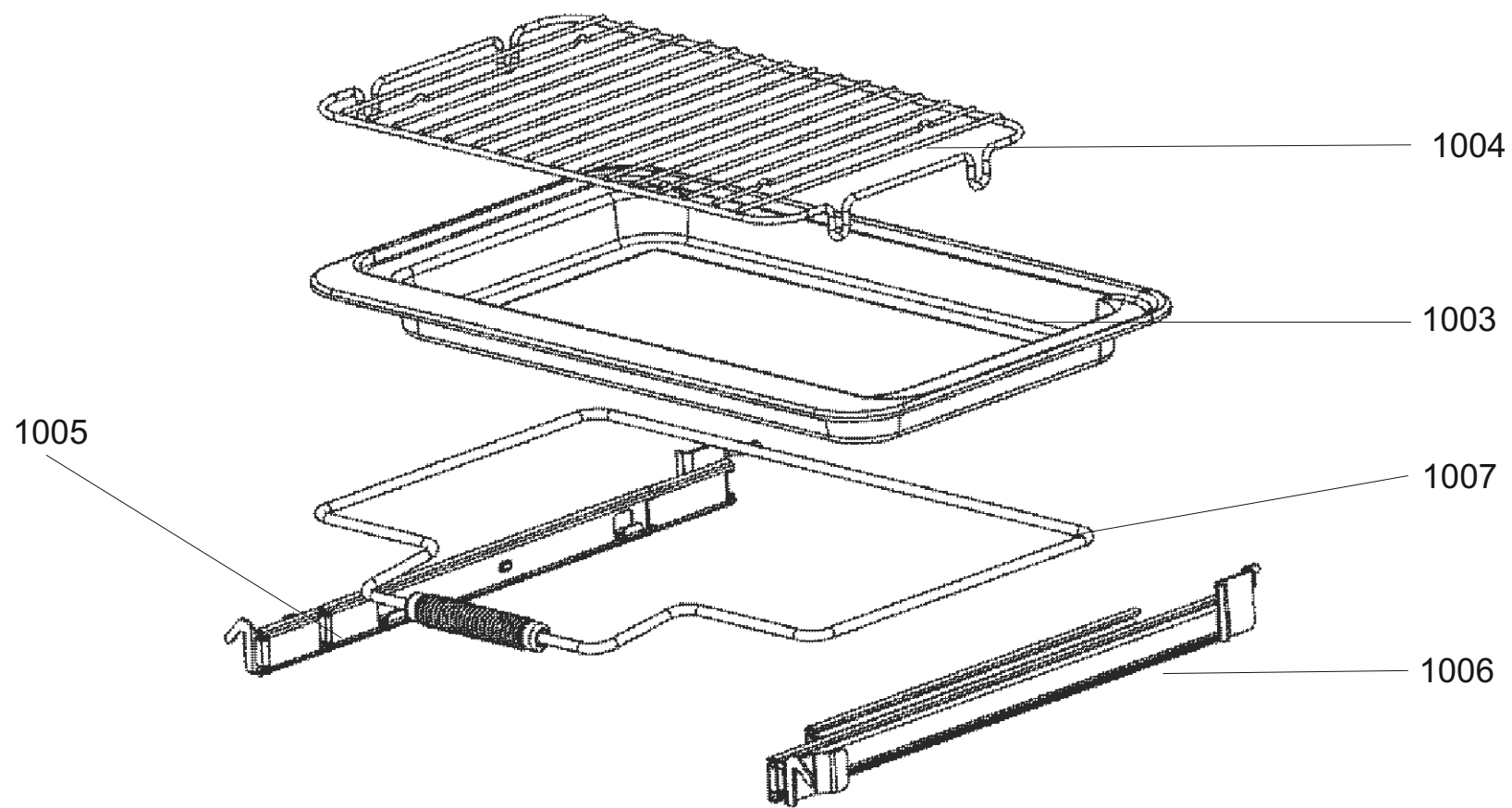
DSL0769 P10

DATE 23.03.2019 ISSUE STATUS 01

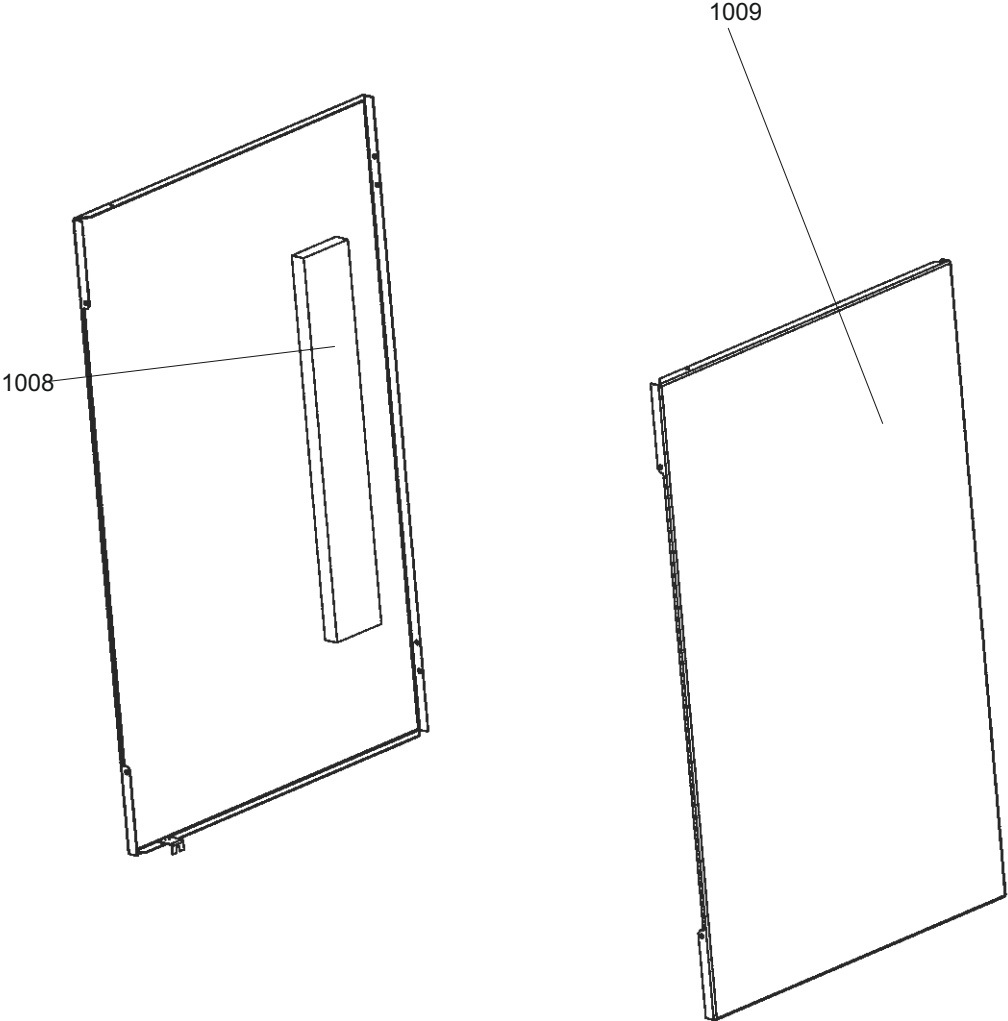
FROM SERIAL NUMBER 203000



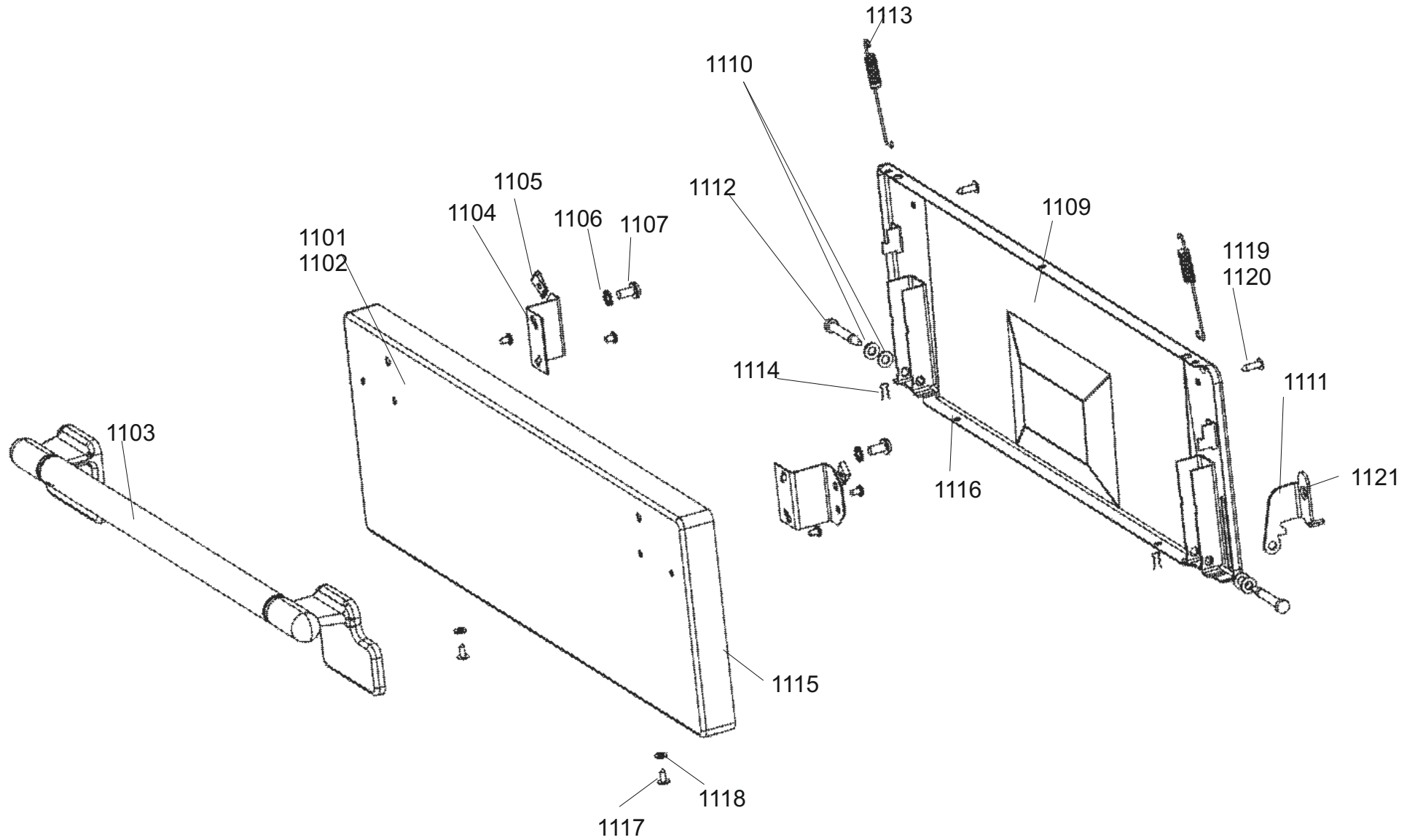
ACCESSORIES



GRILL PAN



SIDE PANELS



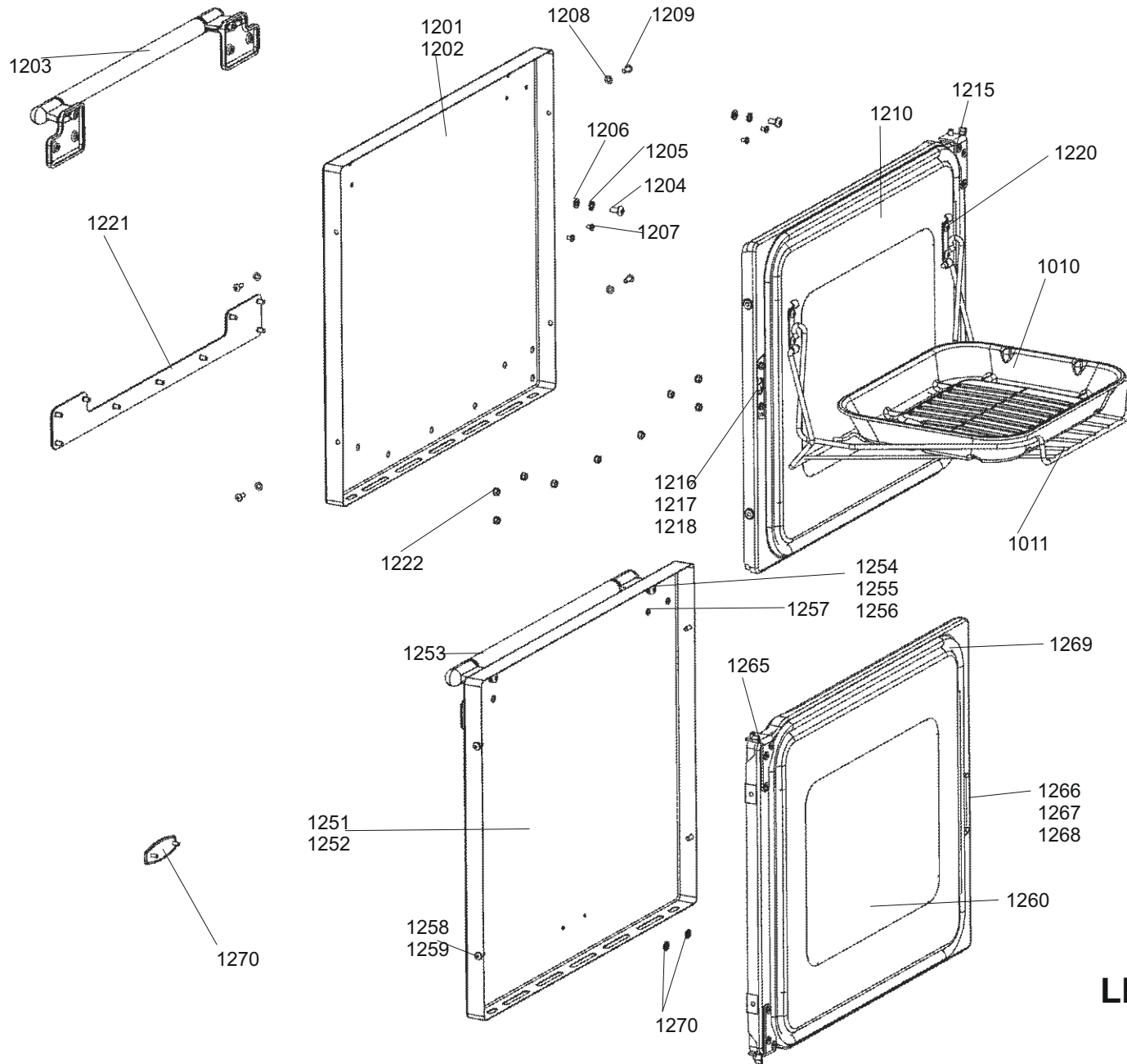
GRILL DOOR

ELISE 110 DUAL FUEL

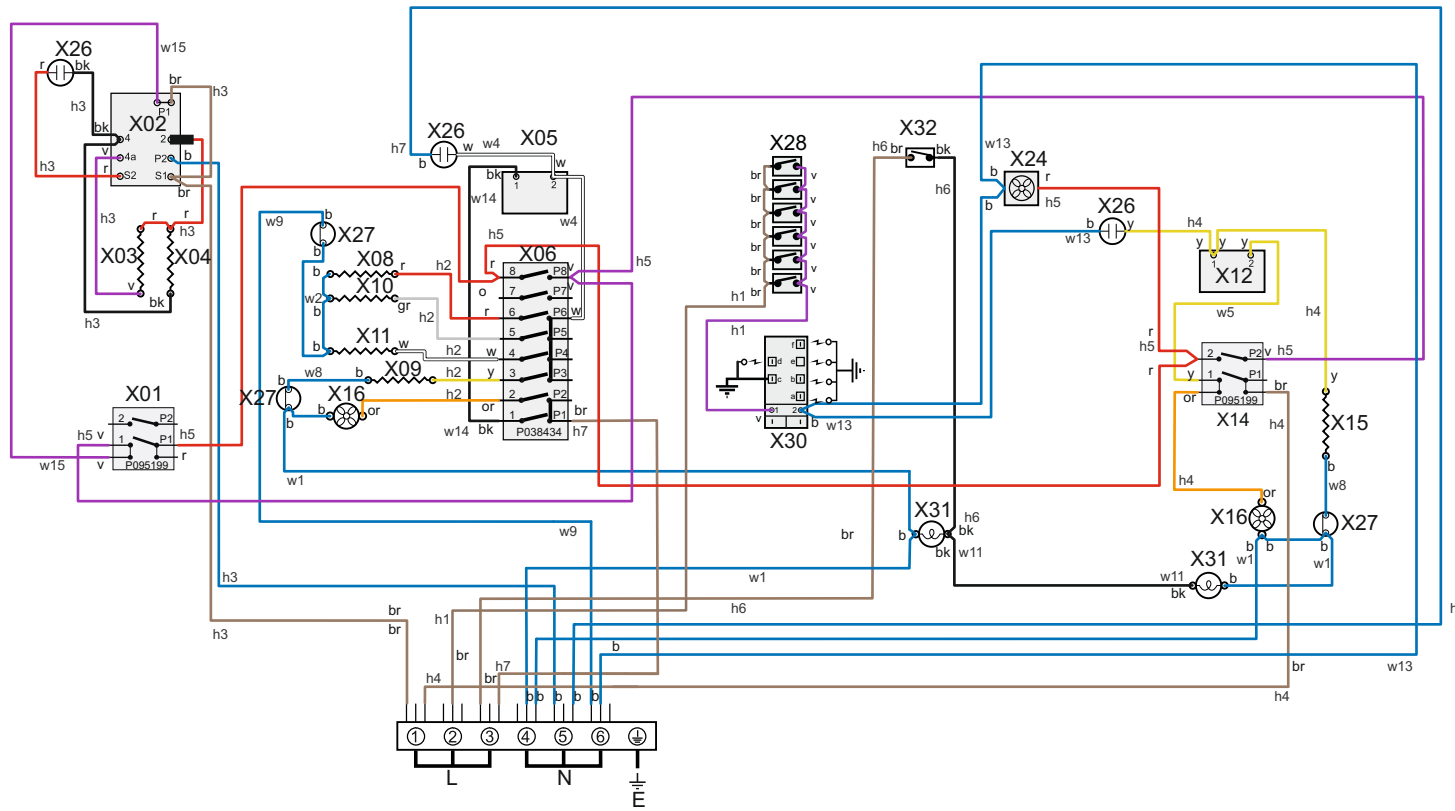
DSL0769 P01

ISSUE STATUS 02

DATE 23.03.2019



LH OVEN DOOR



Code	Description
b	Blue
br	Brown
bk	Black
or	Orange
r	Red
v	Violet
w	White
y	Yellow
g/y	Green / Yellow

Code	Description
X01	Grill Front Switch
X02	Grill Energy Controller
X03	Left Hand Grill Elements
X04	Right Hand Grill Elements
X05	Left Hand Oven Thermostat
X06	Left Hand Oven Switch
X08	Left Hand Oven Base Element
X09	Left Hand Oven Fan Element
X10	Left Hand Oven Top Outer Element
X11	Left Hand Oven Top Inner Element
X12	Right Hand Oven Thermostat
X14	Right Hand Oven Front Switch
X15	Right Hand Oven Fan Element
X16	Oven Fan
X24	Cooling Fan
X26	Neon
X27	Thermal Cut-Out
X28	Ignition Switches
X30	Spark Generator
X31	Oven Light
X32	Oven Light Switch