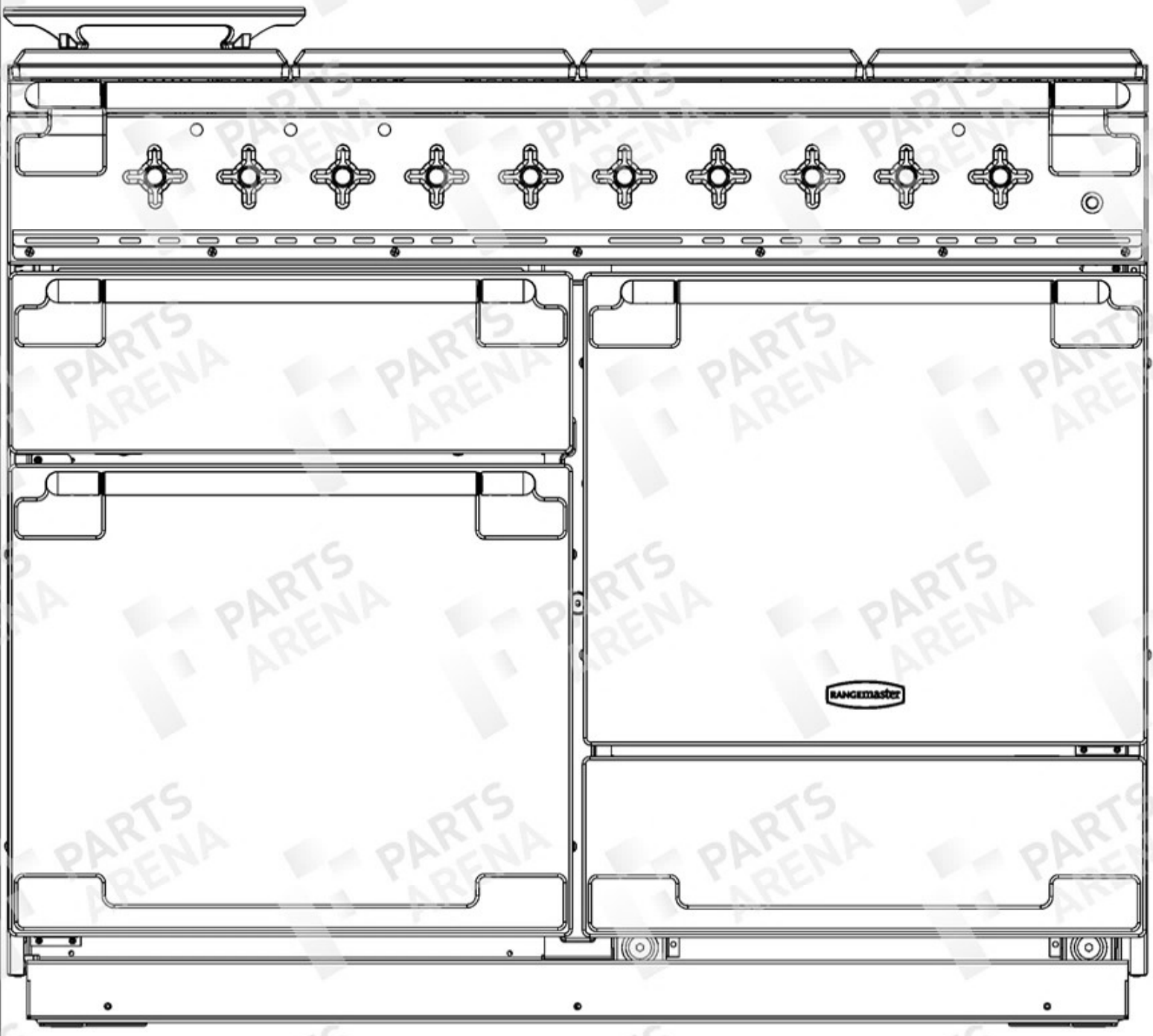


APPLIANCE NAME:
ELISE UK 9420 TO 9426
FALCON ELISE EU 9434 TO 9440

DATE 13.08.10

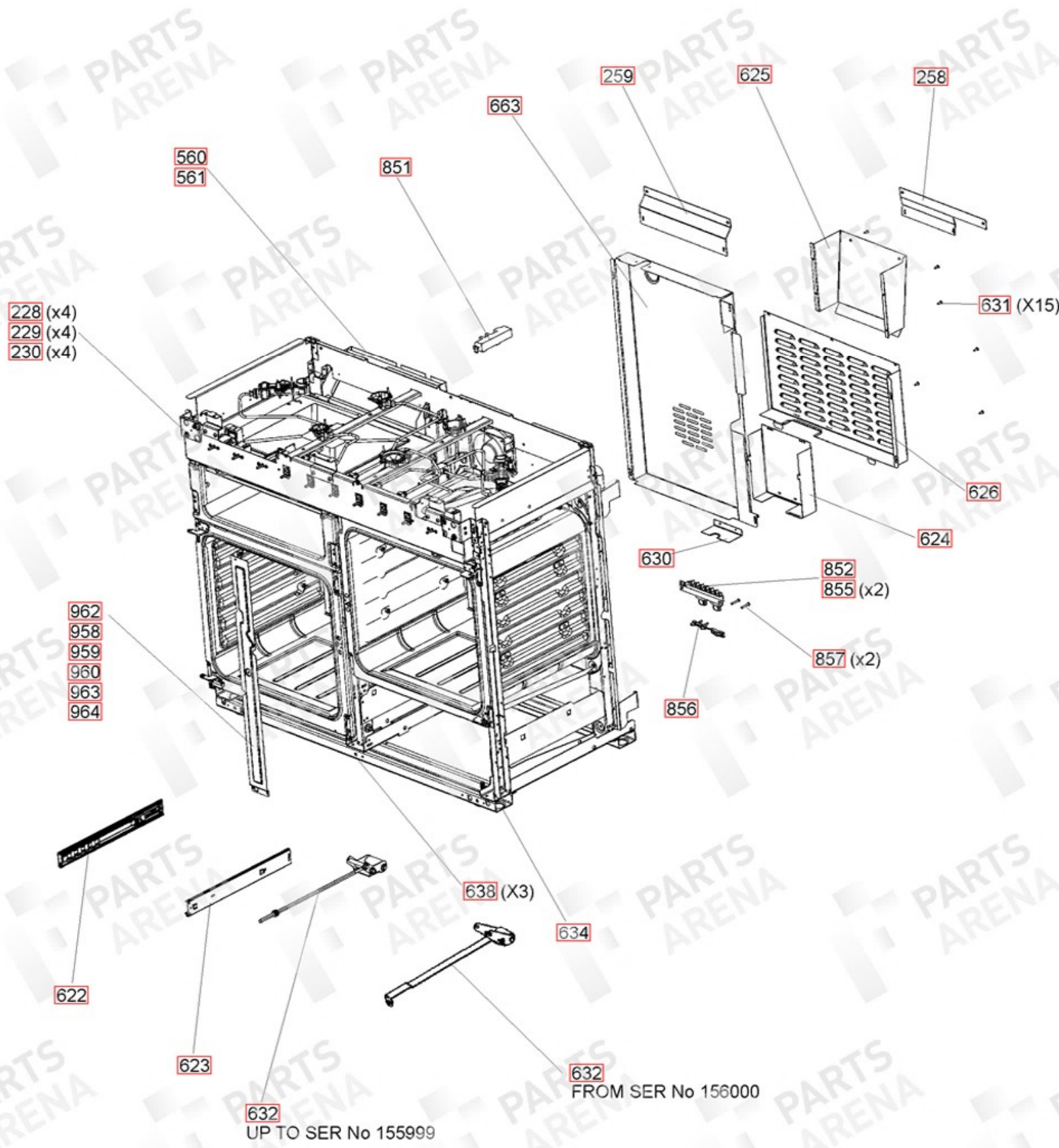
DSL0448 P00
ISSUE STATUS 01



APPLIANCE NAME:
ELISE UK 9420 TO 9426
FALCON ELISE EU 9434 TO 9440

DATE 31.03.11

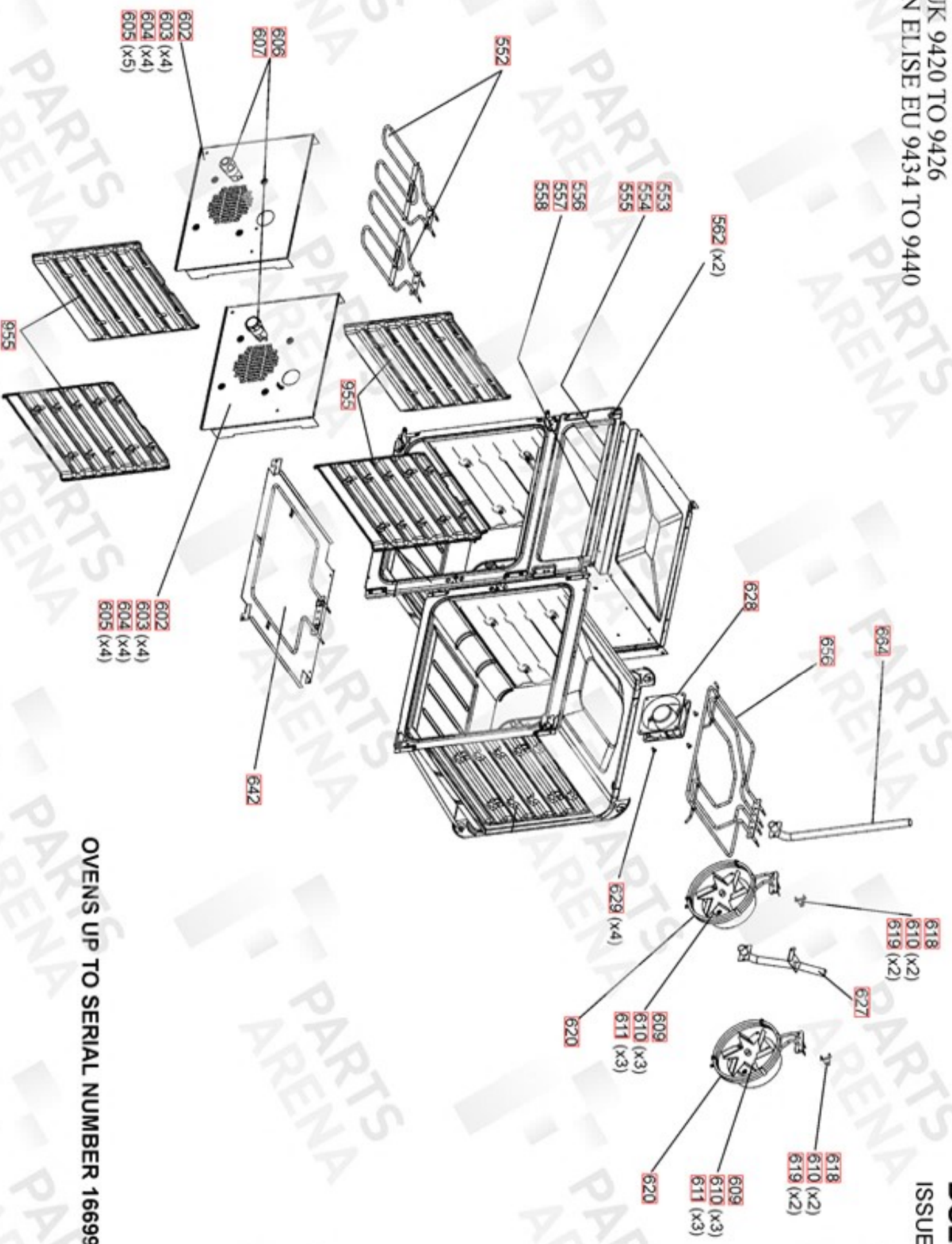
DSL0448 P04
ISSUE STATUS 02



APPLIANCE NAME:
ELISE UK 9420 TO 9426
ALCON ELISE EU 9434 TO 9440

DATE 04.12.15

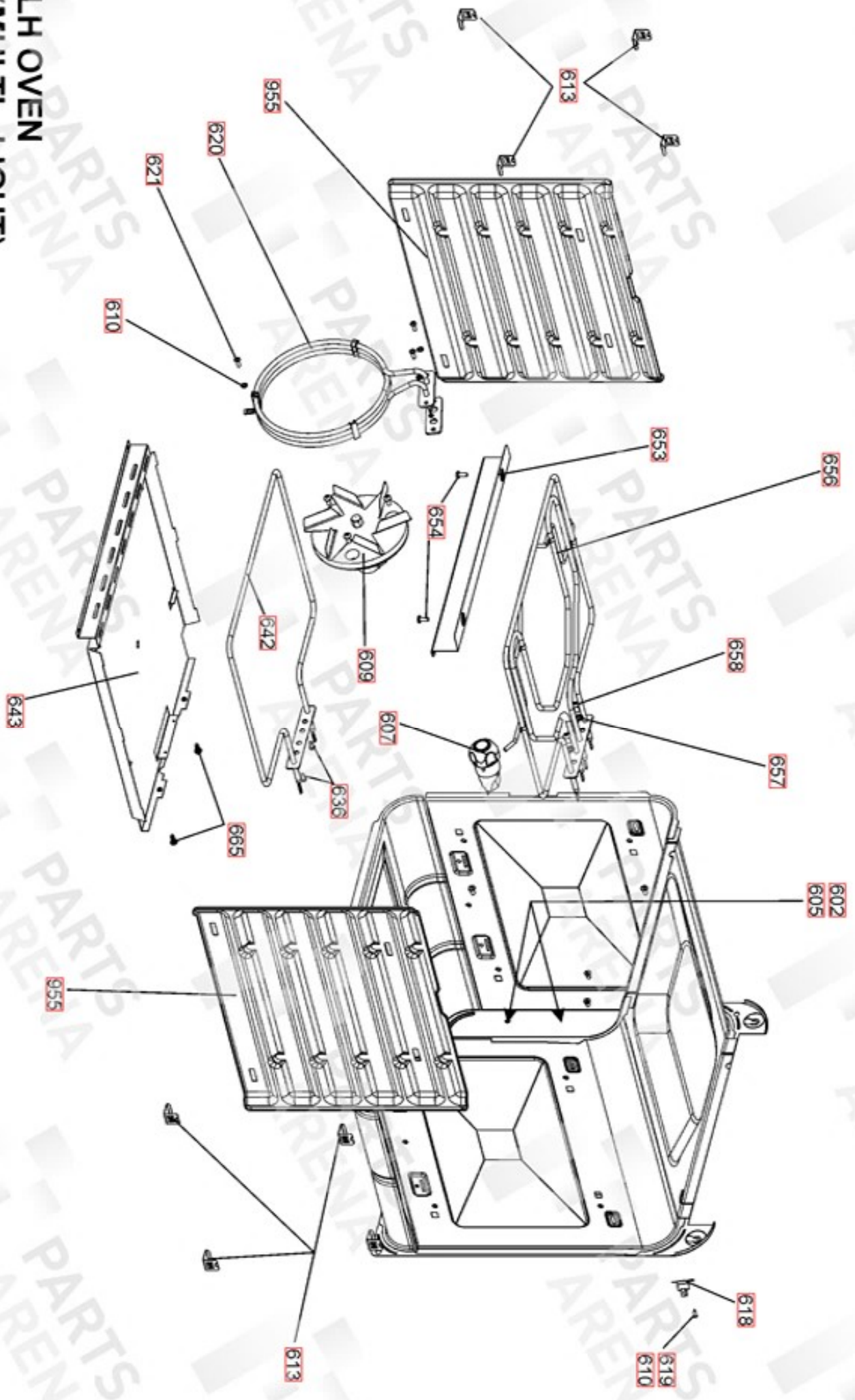
DSL0448 P01
ISSUE STATUS 02

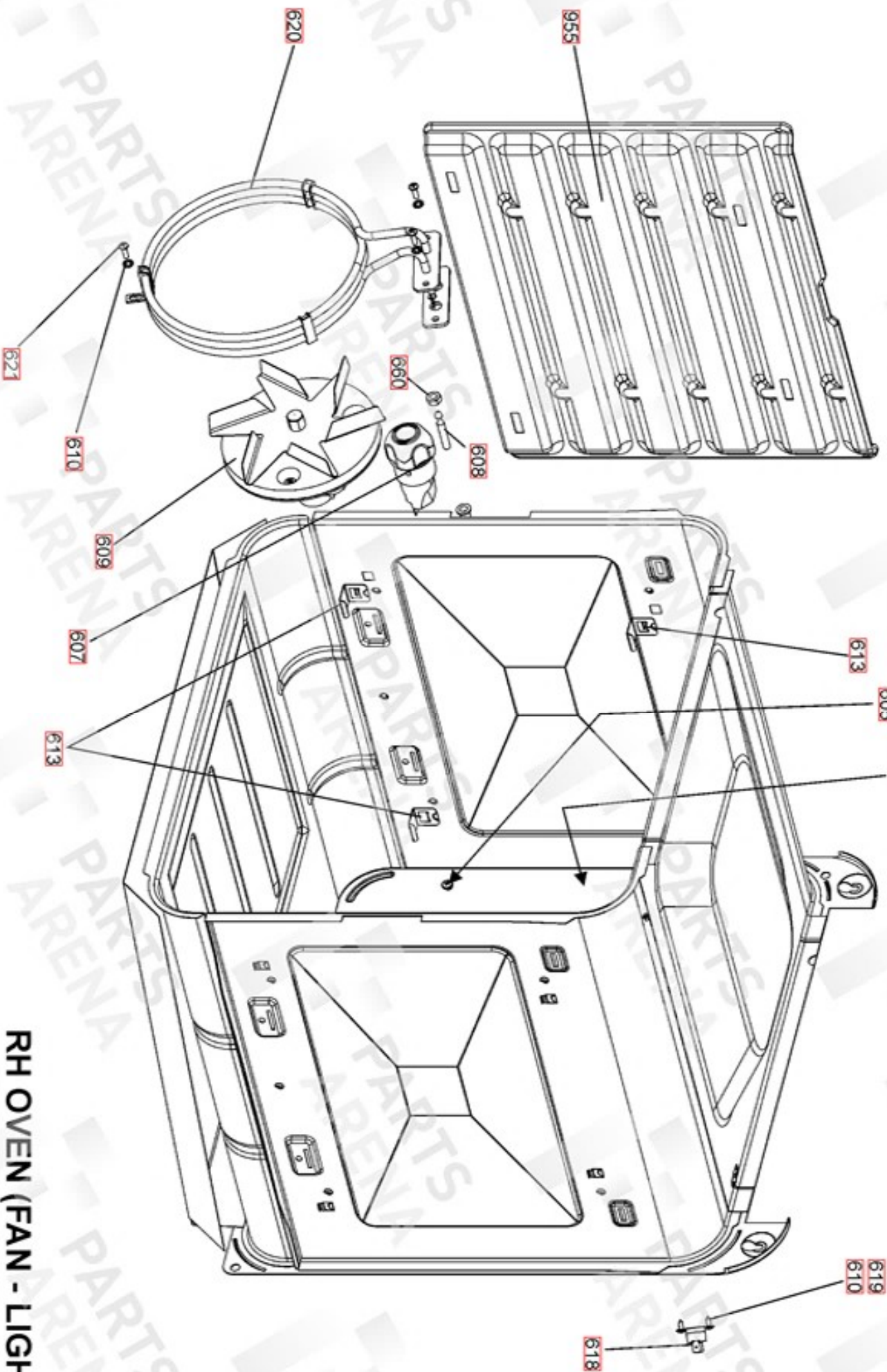


OVENS UP TO SERIAL NUMBER 166999

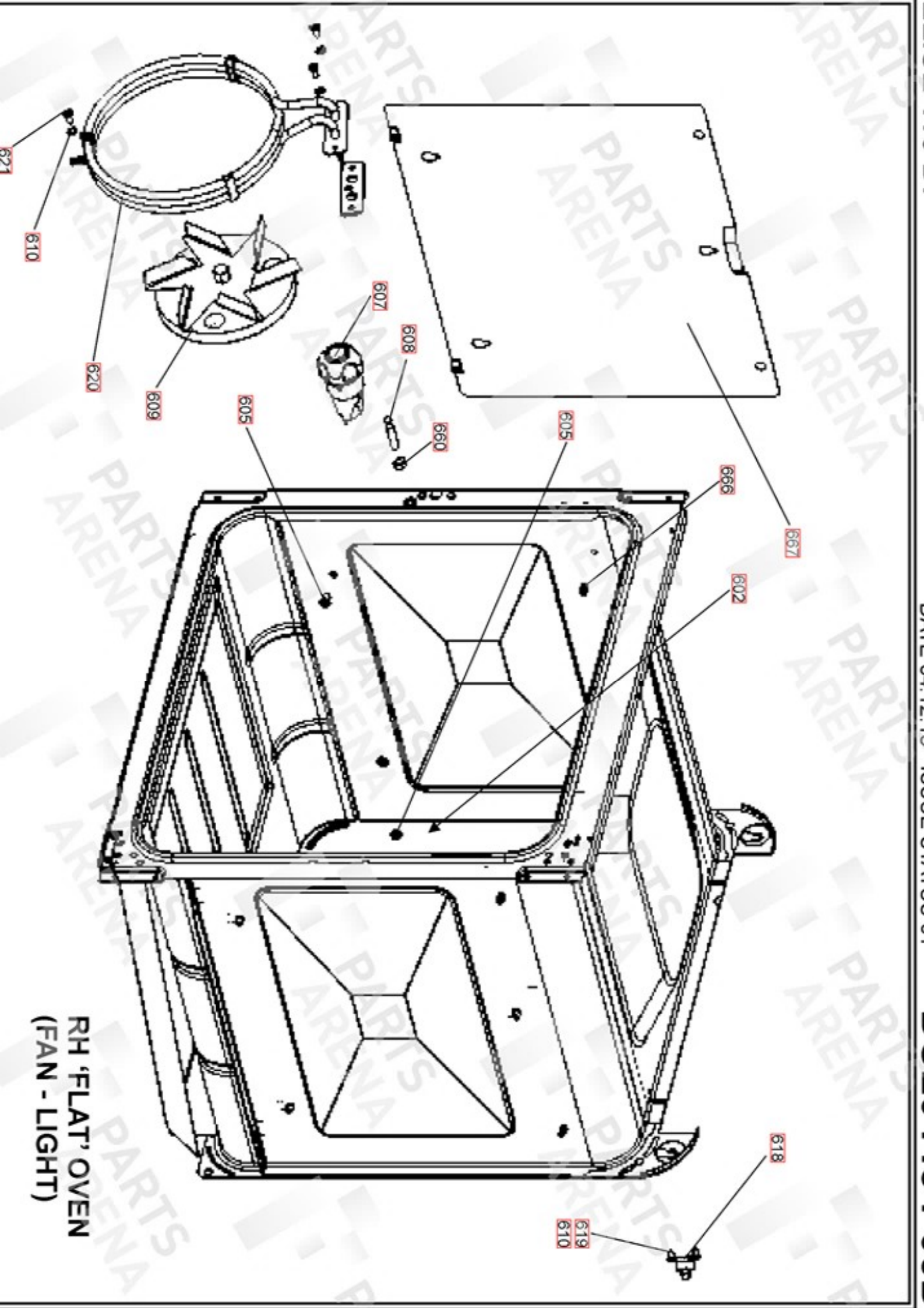
LH OVEN
(MULTI - LIGHT)

FROM SERIAL NUMBER 167000
UP TO SERIAL NUMBER 181899





RH OVEN (FAN - LIGHT)
 FROM SERIAL NUMBER 167000
 UP TO SERIAL NUMBER 184000

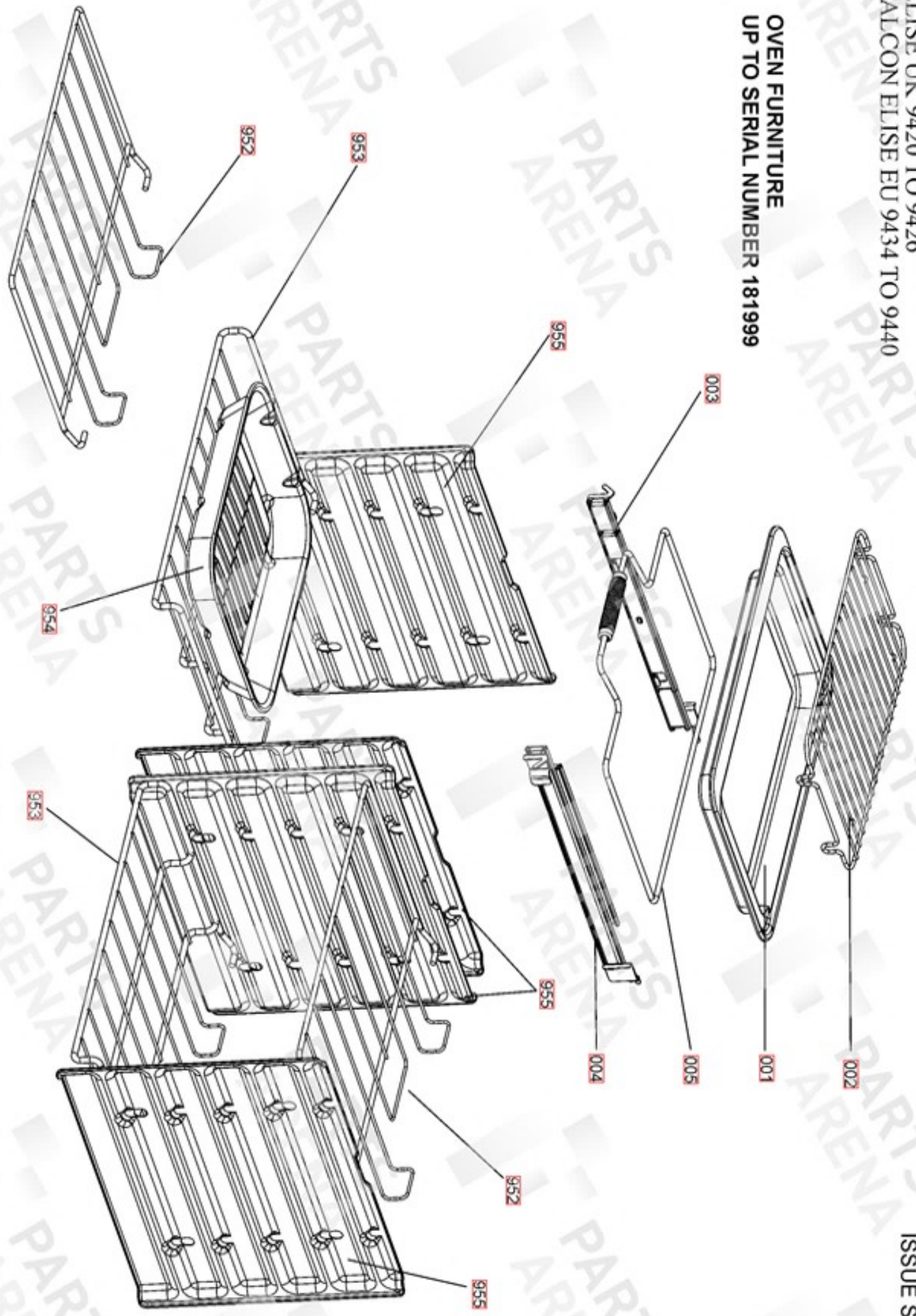


RH 'FLAT' OVEN
(FAN - LIGHT)

APPLIANCE NAME:
ELISE UK 9420 TO 9426
FALCON ELISE EU 9434 TO 9440

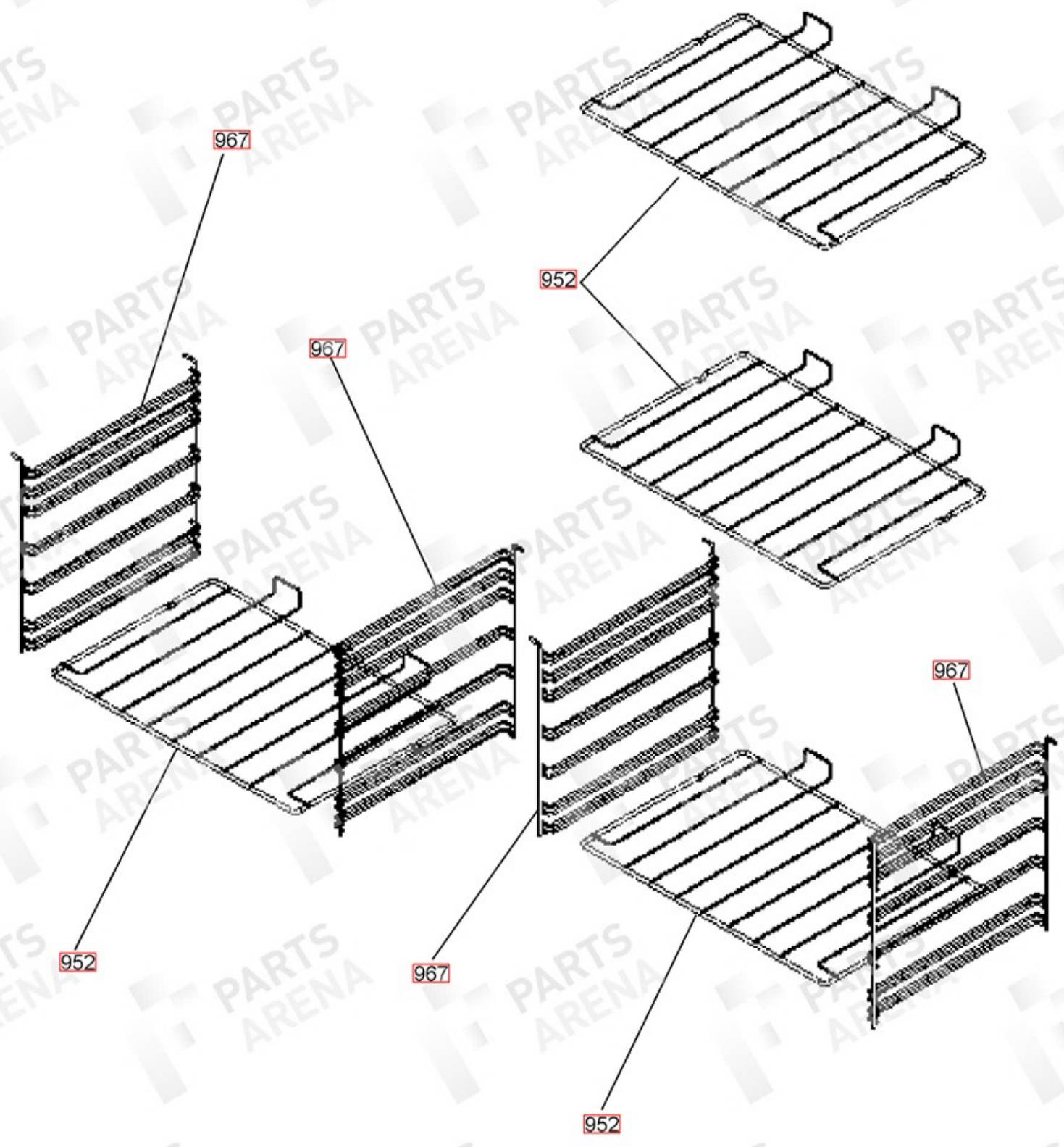
OVEN FURNITURE
UP TO SERIAL NUMBER 181999

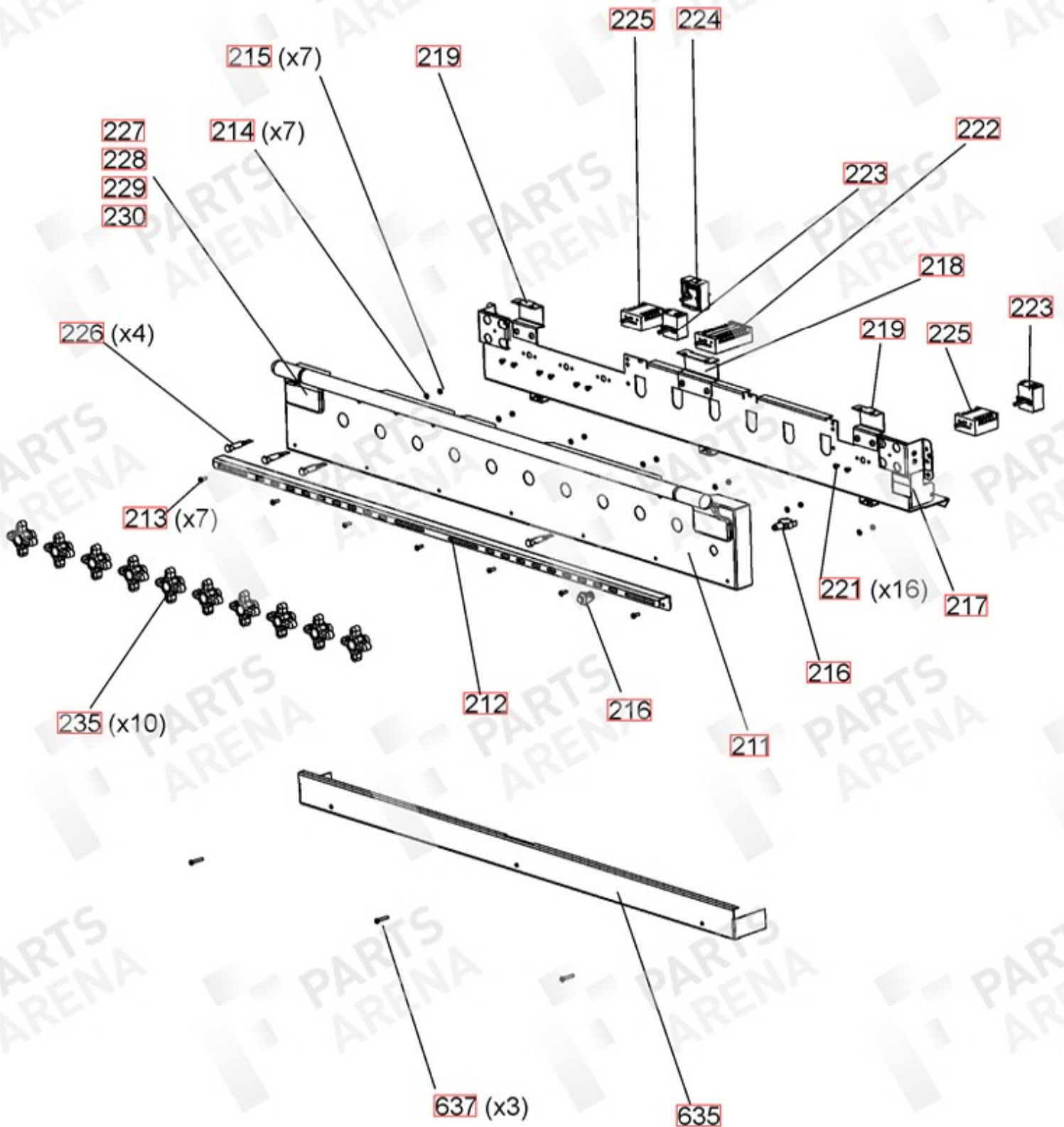
DATE 04.12.15

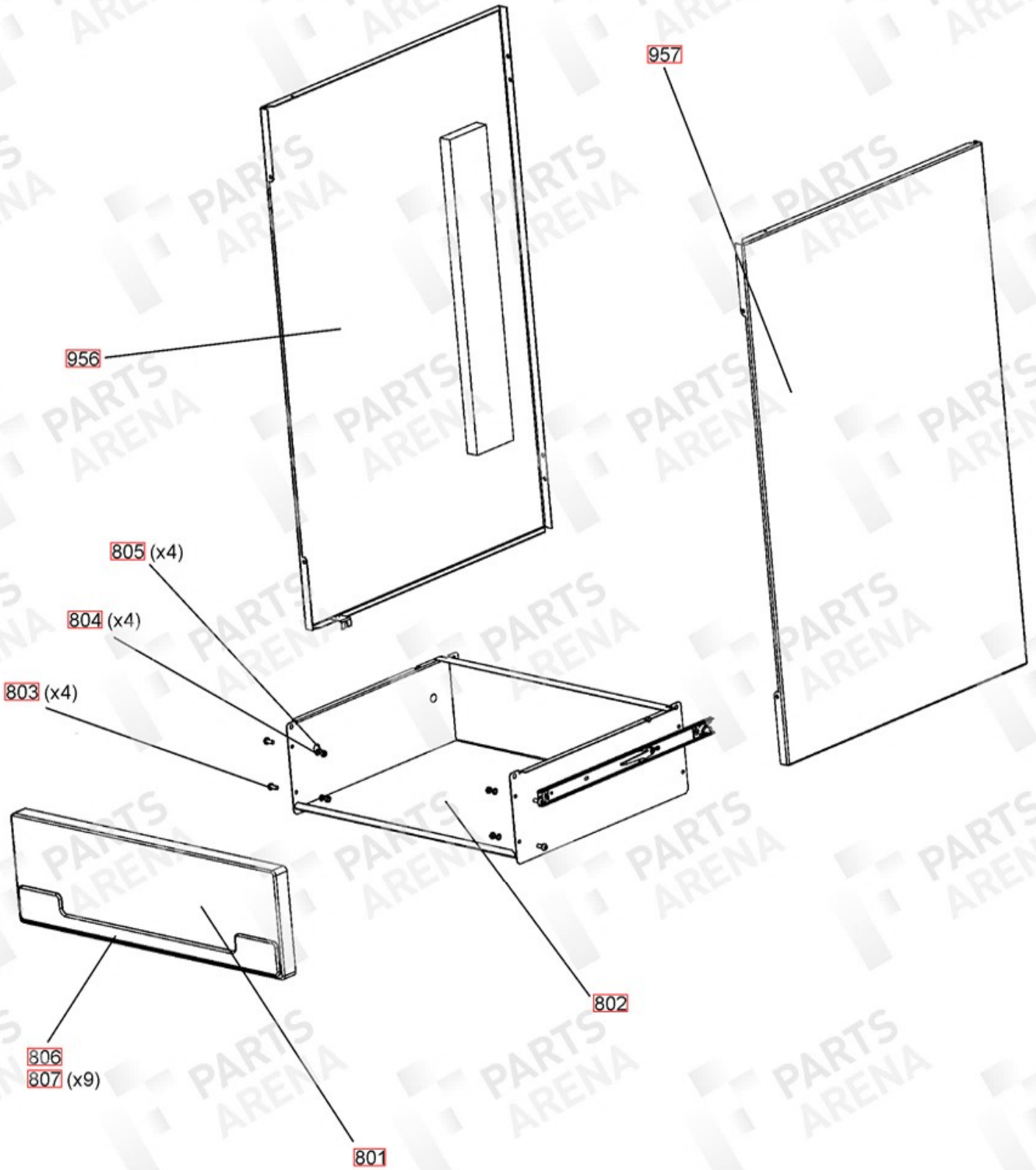


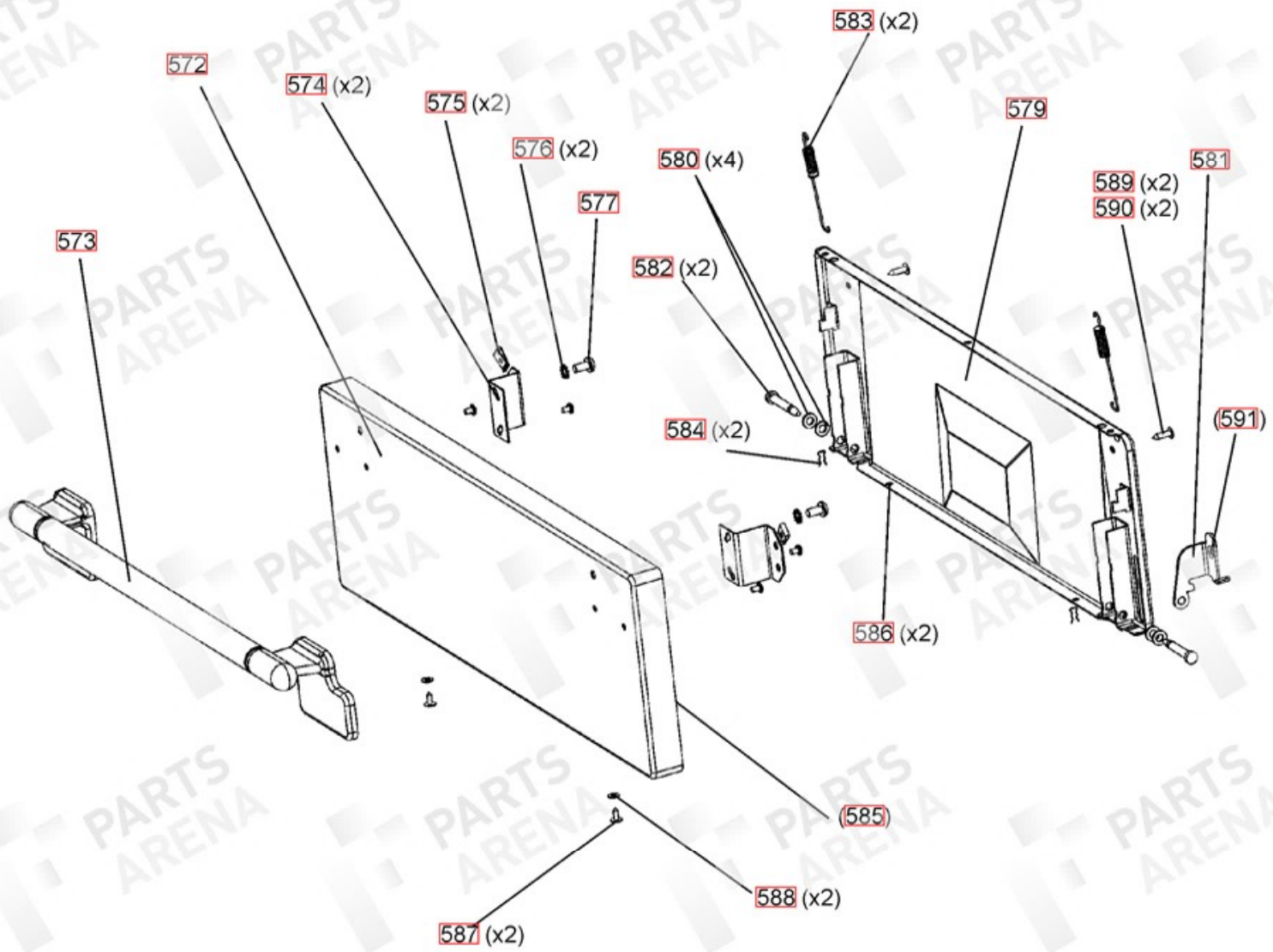
DSL0448 P06
ISSUE STATUS 02

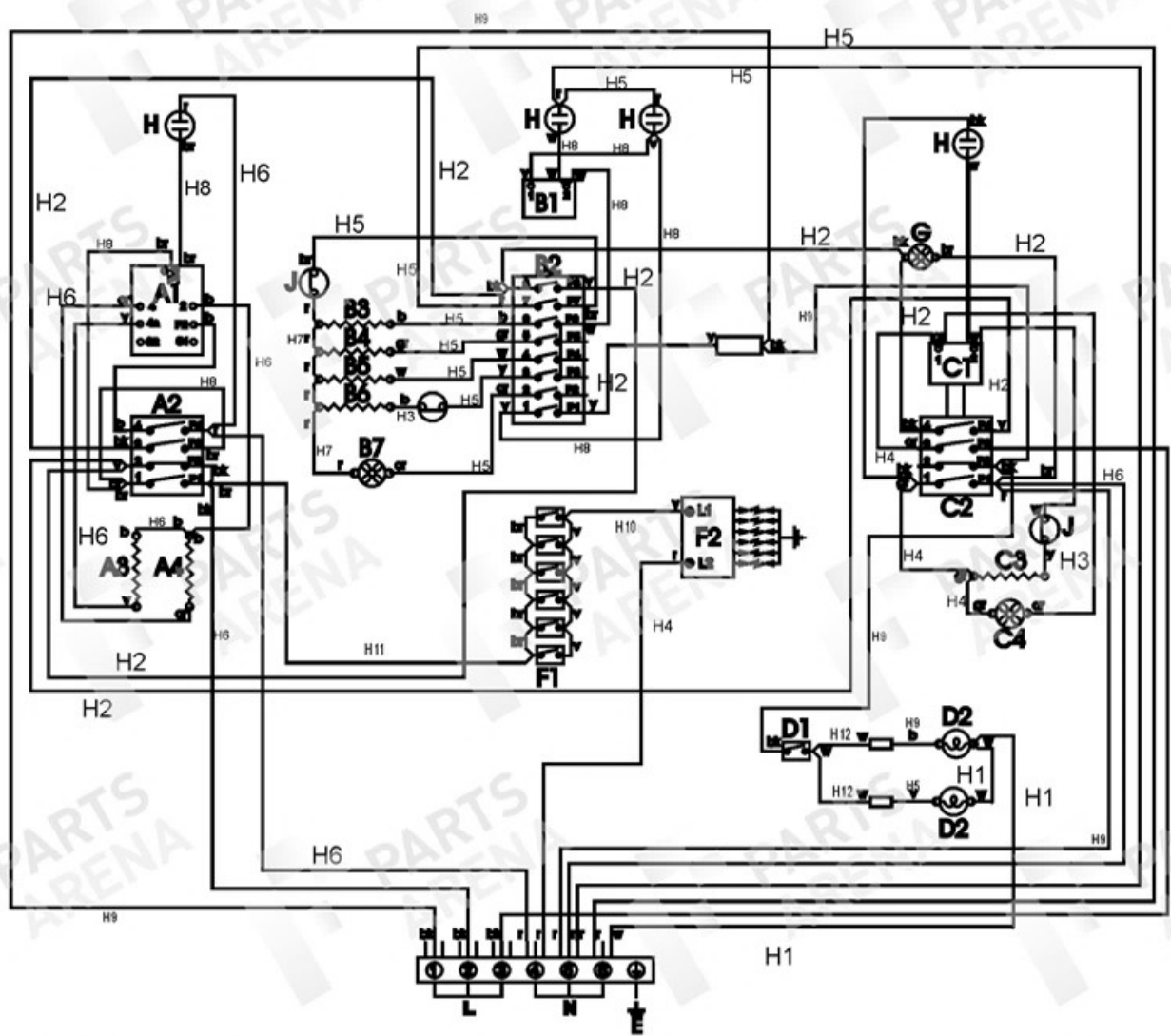
OVEN SHELVES FROM SERIAL NUMBER 182000











Key
The connections shown in the circuit diagram are for single-phase. The ratings are for 230V 50 Hz.

Code	Description	Code	Description	Code	Colour
A1	Grill control	C2	Right hand fan oven thermostat	b	Blue
A2	Grill front switch	C3	Right hand fan oven control switch	br	Brown
A3	Left hand grill element	C4	Right hand fan oven element	bk	Black
A4	Right hand grill element	C5	Right hand oven fan	or	Orange
B1	Left hand MF oven thermostat	D1	Oven light switch	r	Red
B2	Left hand MF oven control switch	D2	Oven lamp	v	Violet
B3	Left hand MF oven base element	F1	Ignition switch	w	White
B4	Left hand MF oven top element (outer pair)	F2	Ignition gas valve	y	Yellow
B5	Left hand MF oven broiling element (inner pair)	G	Cooling fan	gy	Green/yellow
B6	Left hand MF oven fan element	H	Neon	gr	Grey
B7	Left hand MF oven oven fan	J	Thermal cut-out		

Key No	Ref No	Part number	Description	Quantity	Remarks
870	H1	P033667	LIGHTS / NEUTRAL WIRING USA	1	-
871	H2	P033668	COOLING FAN OPERATION WIRING USA	1	-
872	H3	P033669	CUTOUT LINK WIRE USA	2	-
873	H4	P033670	RH OVEN WIRING USA	1	-
874	H5	P033671	MULTI F. OVEN WIRING USA	1	-
875	H6	P033672	GRILL WIRING USA	1	-
876	H7	P035499	LH OVEN ELEMENT LINK	1	-
877	H8	P033674	LH FACIA WIRING USA	1	-
878	H9	P050902	WIRE ASSEMBLY , TIMER	1	-
864		P033676	EARTH RH OVEN WIRING USA	1	-
865		P033677	EARTH LH OVEN WIRING USA	1	-
866		P033678	EARTH RH T/STAT WIRING USA	1	-
879	H10	P033679	IGNITION SWITCHES L2 WIRING USA	1	-
880	H11	P033680	IGNITION SWITCHES L1 WIRING USA	1	-
867		P035416	EARTH LH OVEN TOP ELEMENT WIRING	2	-
858		P090136	CABLE CLIP	6	LH COOKER BACK
859		N003366	EDGE CABLE CLIP TRW 26420	2	-
868		P049242	HT HARNESS	1	-
869		P049292	HT WIRE ASSEMBLY	1	-
860		P010368	CABLE TIE INSULOID LKO	8	GENERAL CABLE TIDY
861		N003127	SCREW M6X8 RHP NB TT ZINC	2	FIX EARTH TO COOKER BACK
881	H12	P041537	2 INTO 1 FEMALE TO DOUBLE WIRE	1	-
862		R027413	TWIN IN LINE 6.3 MALE TAB CONNECTOR	1	-
863		P095809	6.3 MALE ADA PR. UTILUX 63-C08P-BOCF	1	-