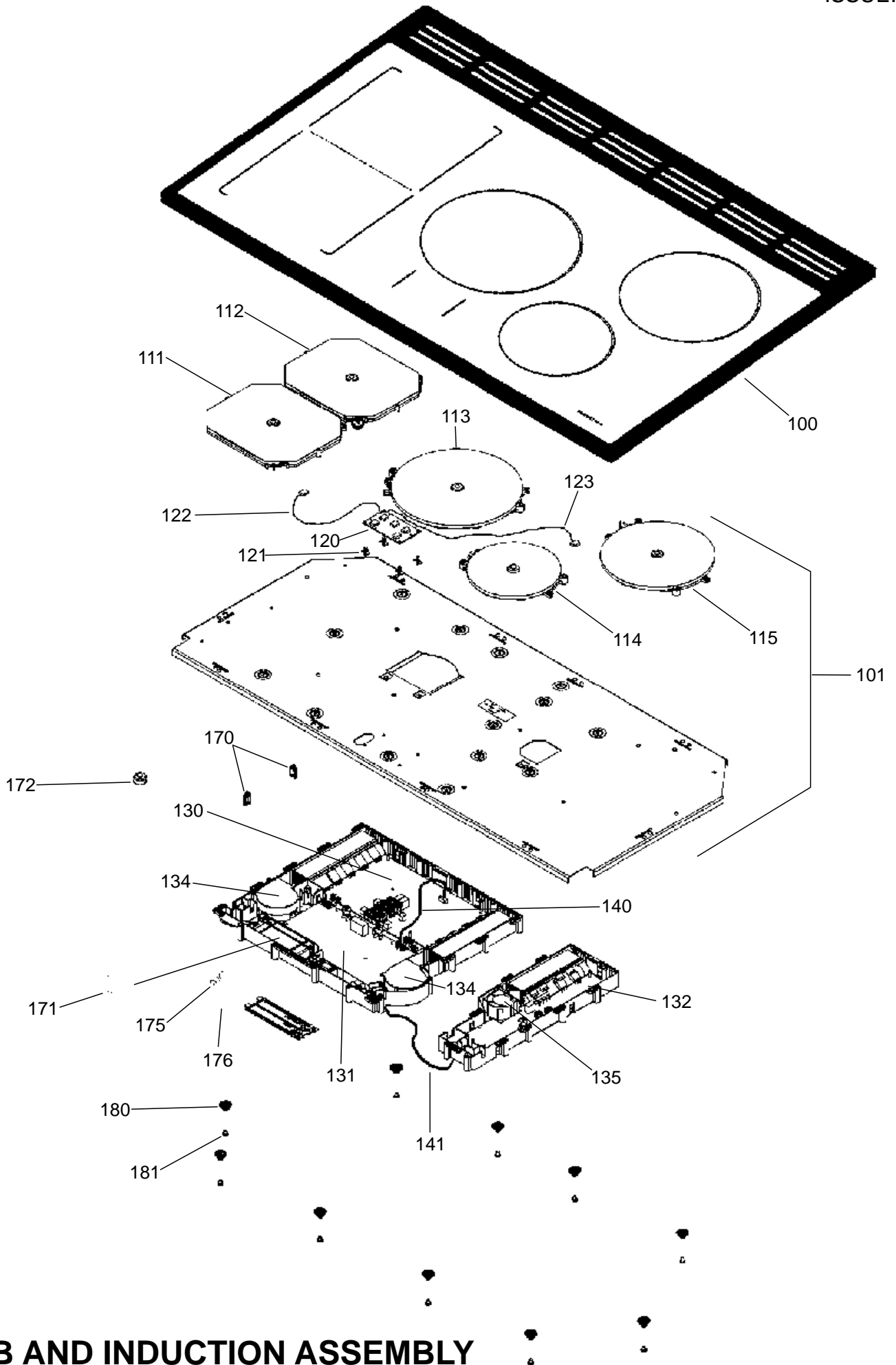




**OVERALL APPLIANCE**

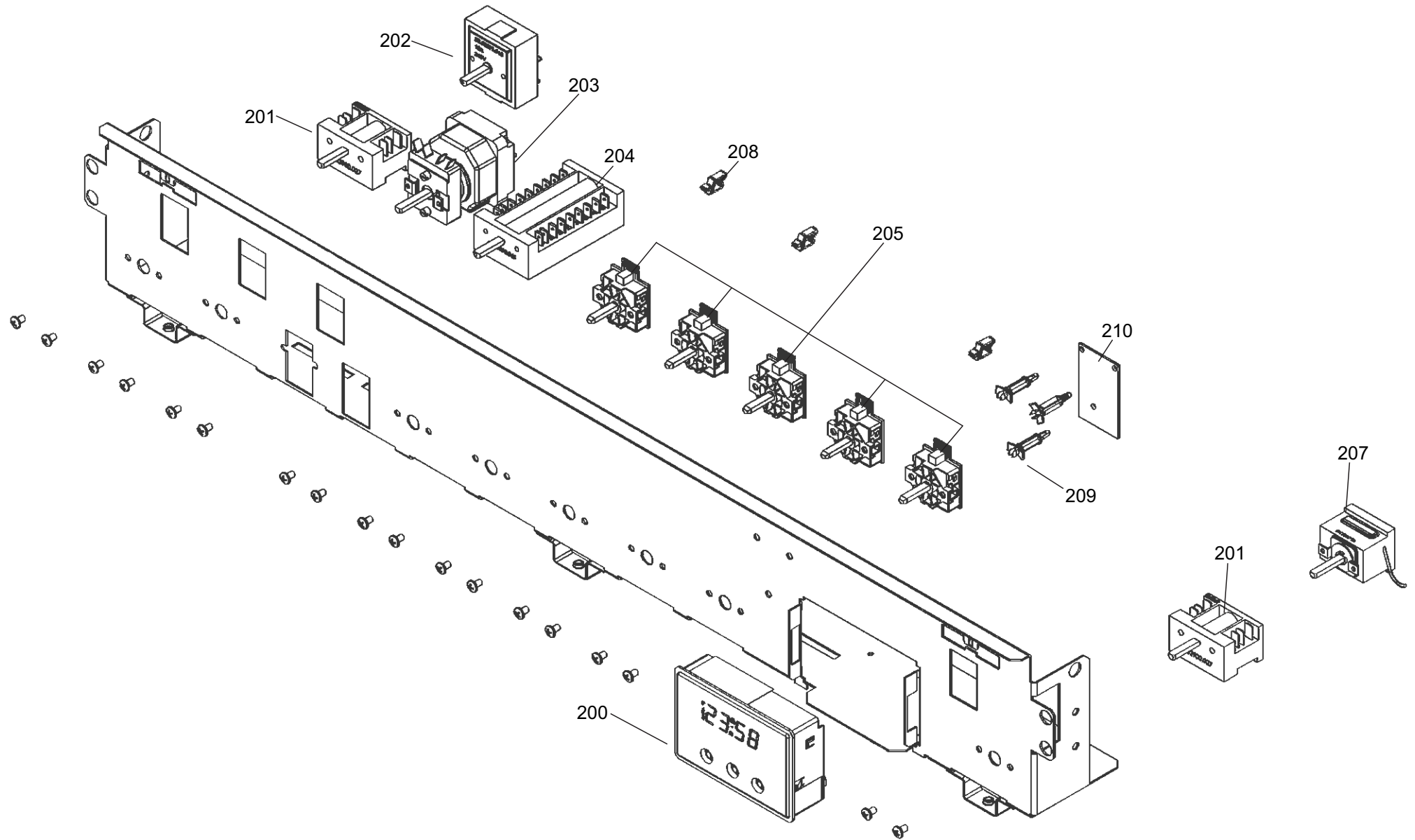


**HOB AND INDUCTION ASSEMBLY**

# FALCON / RANGEMASTER ELAN DELUXE 90 INDUCTION

DATE: 11.03.2019

**DSL0747 P02**  
ISSUE:01



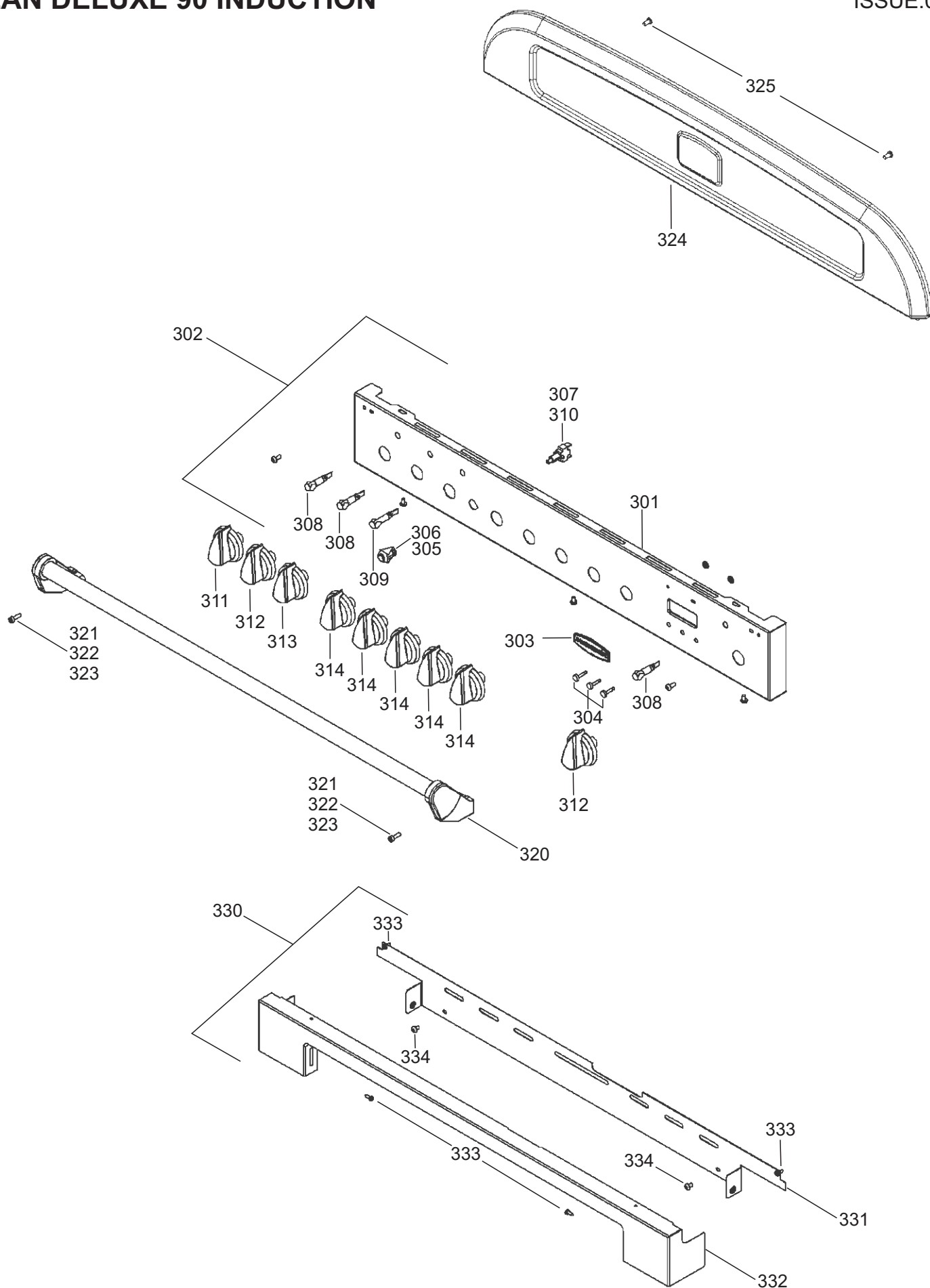
## CONTROLS

# FALCON / RANGEMASTER ELAN DELUXE 90 INDUCTION

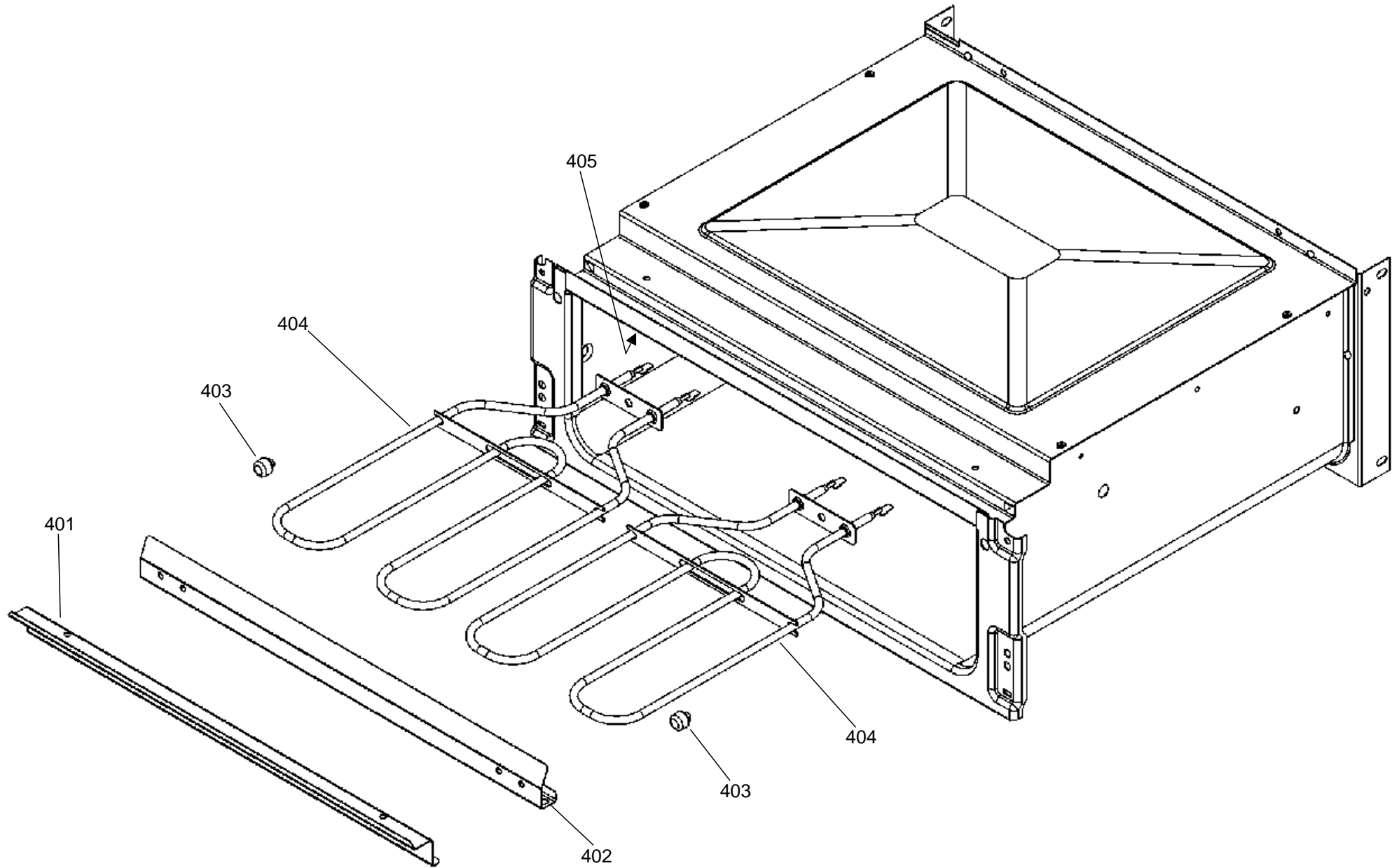
DATE: 11.03.2019

DSL0747 P03

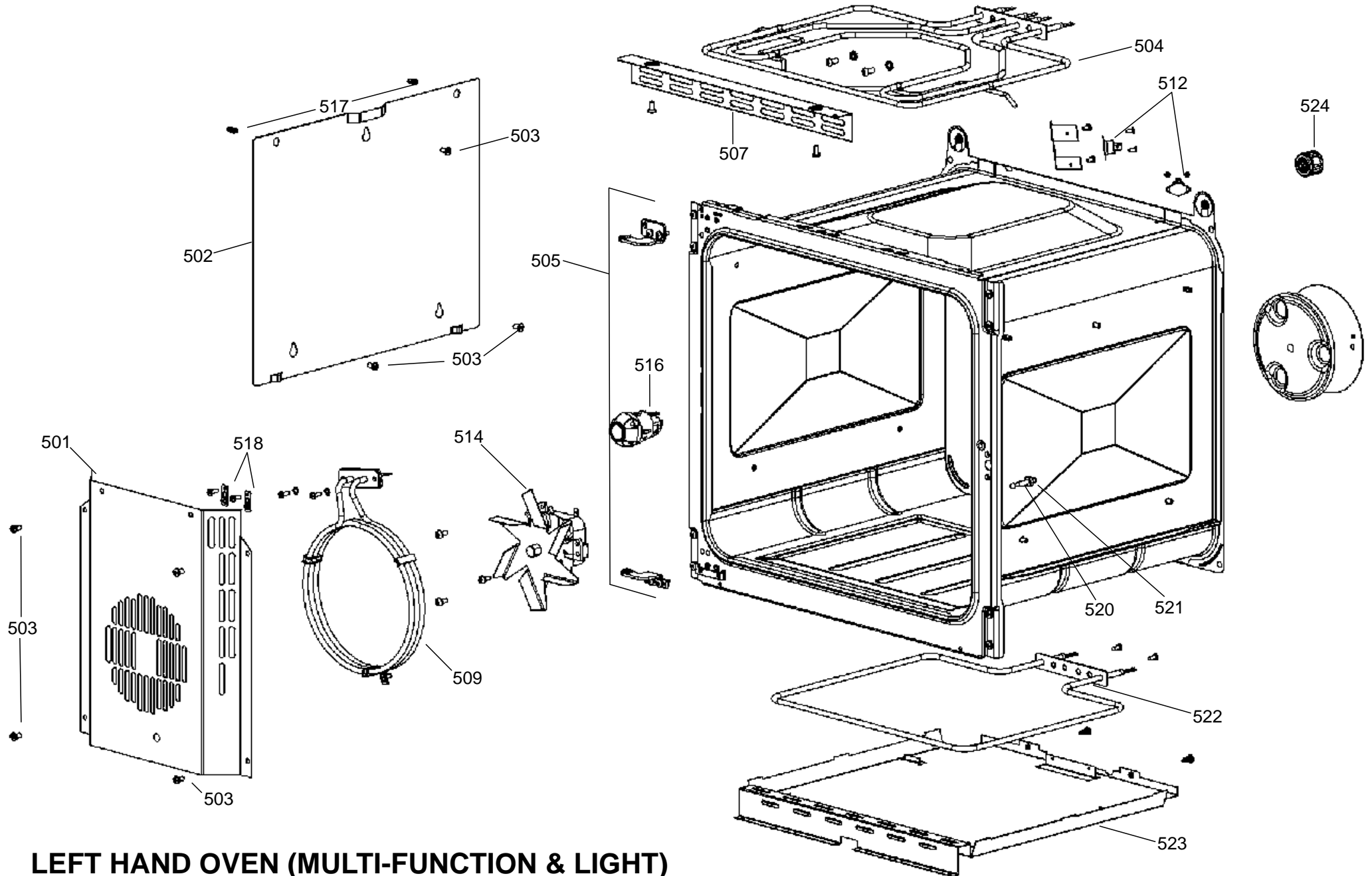
ISSUE:01



## FACIA AND KNOBS ASSEMBLY



**GRILL CHAMBER**

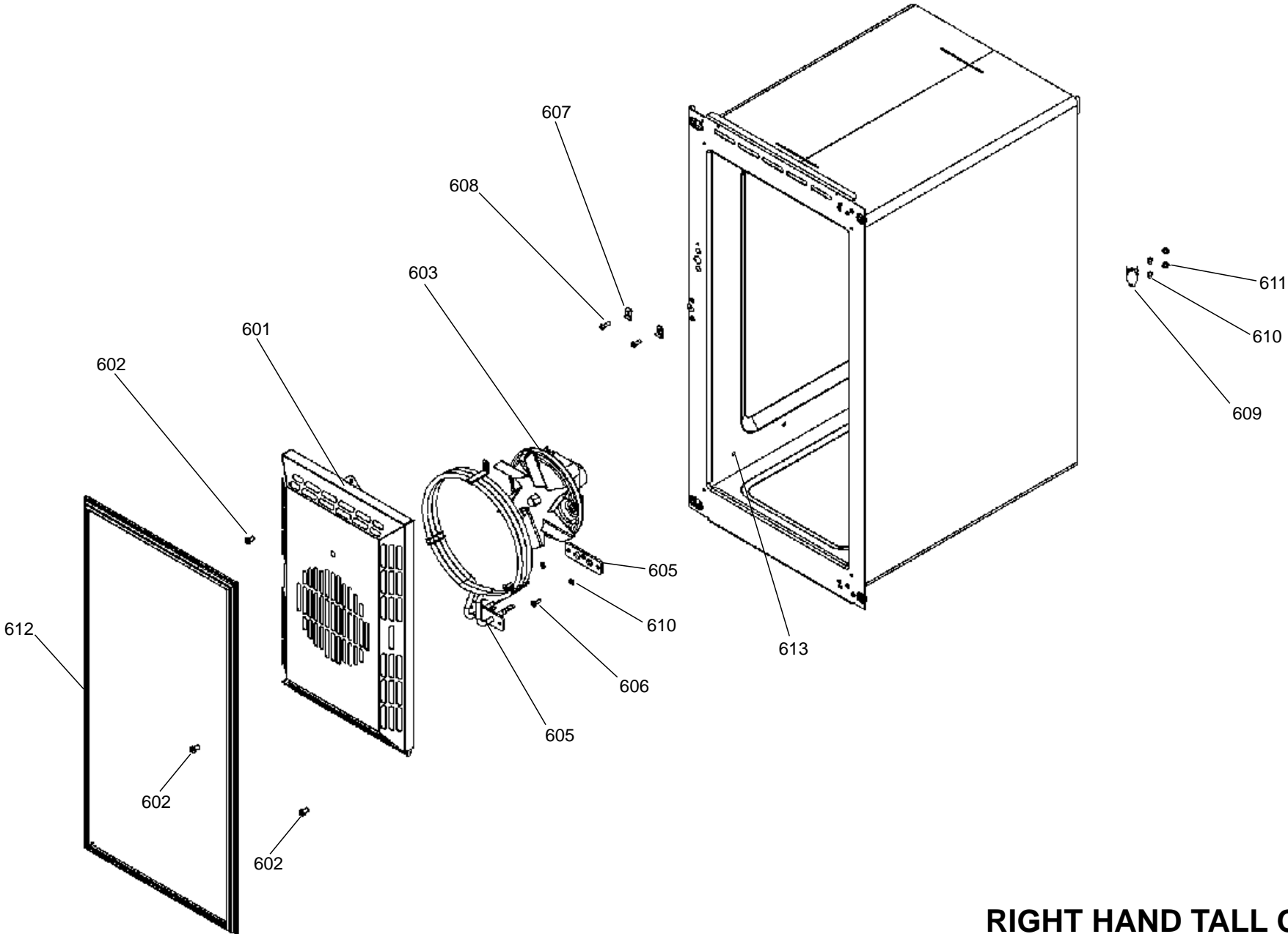


LEFT HAND OVEN (MULTI-FUNCTION & LIGHT)

**FALCON / RANGEMASTER  
ELAN DELUXE 90 INDUCTION**

DATE: 11.03.2019

**DSL0747 P06**  
ISSUE:01



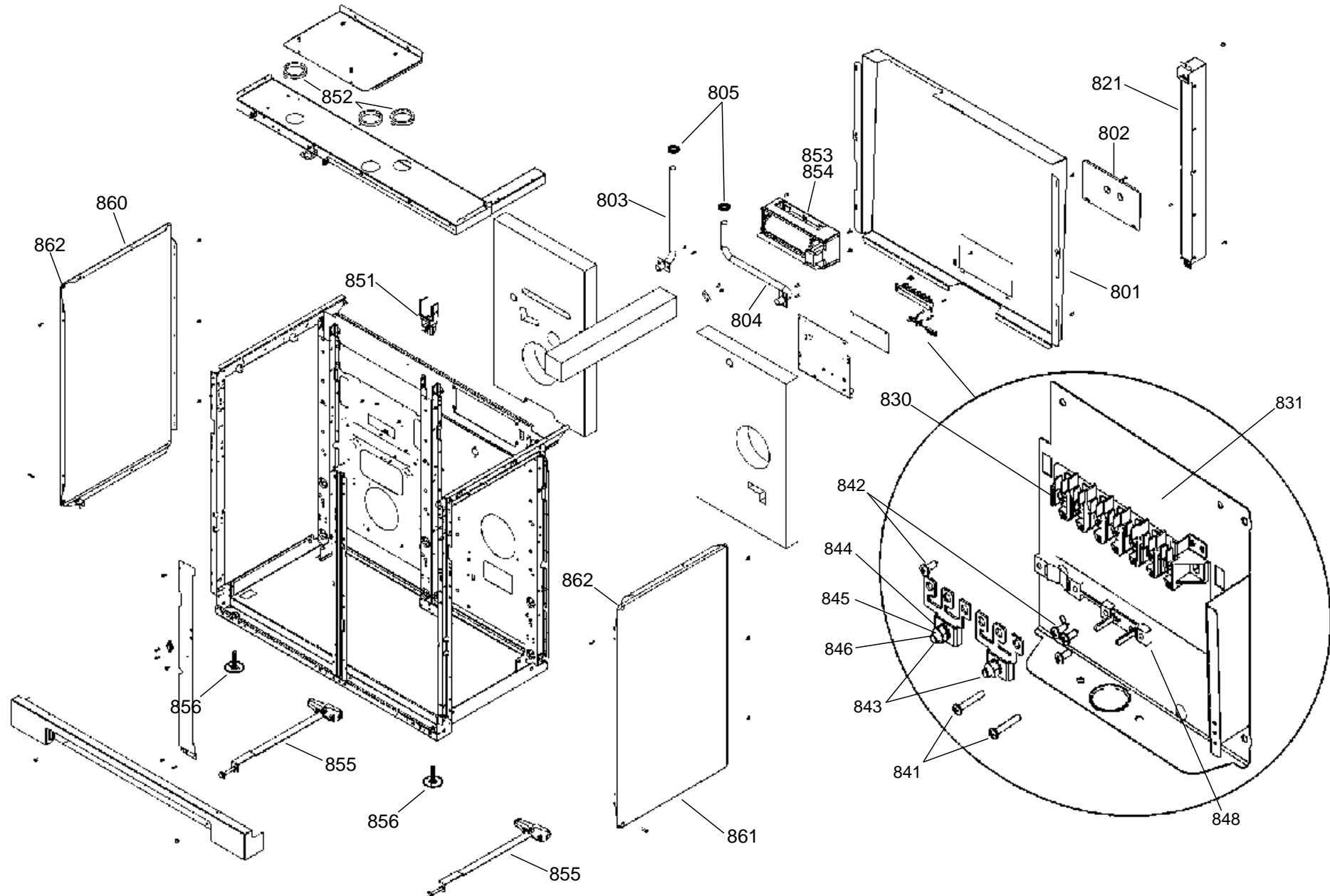
**RIGHT HAND TALL OVEN**

**FALCON / RANGEMASTER  
ELAN DELUXE 90 INDUCTION**

DATE: 11.03.2019

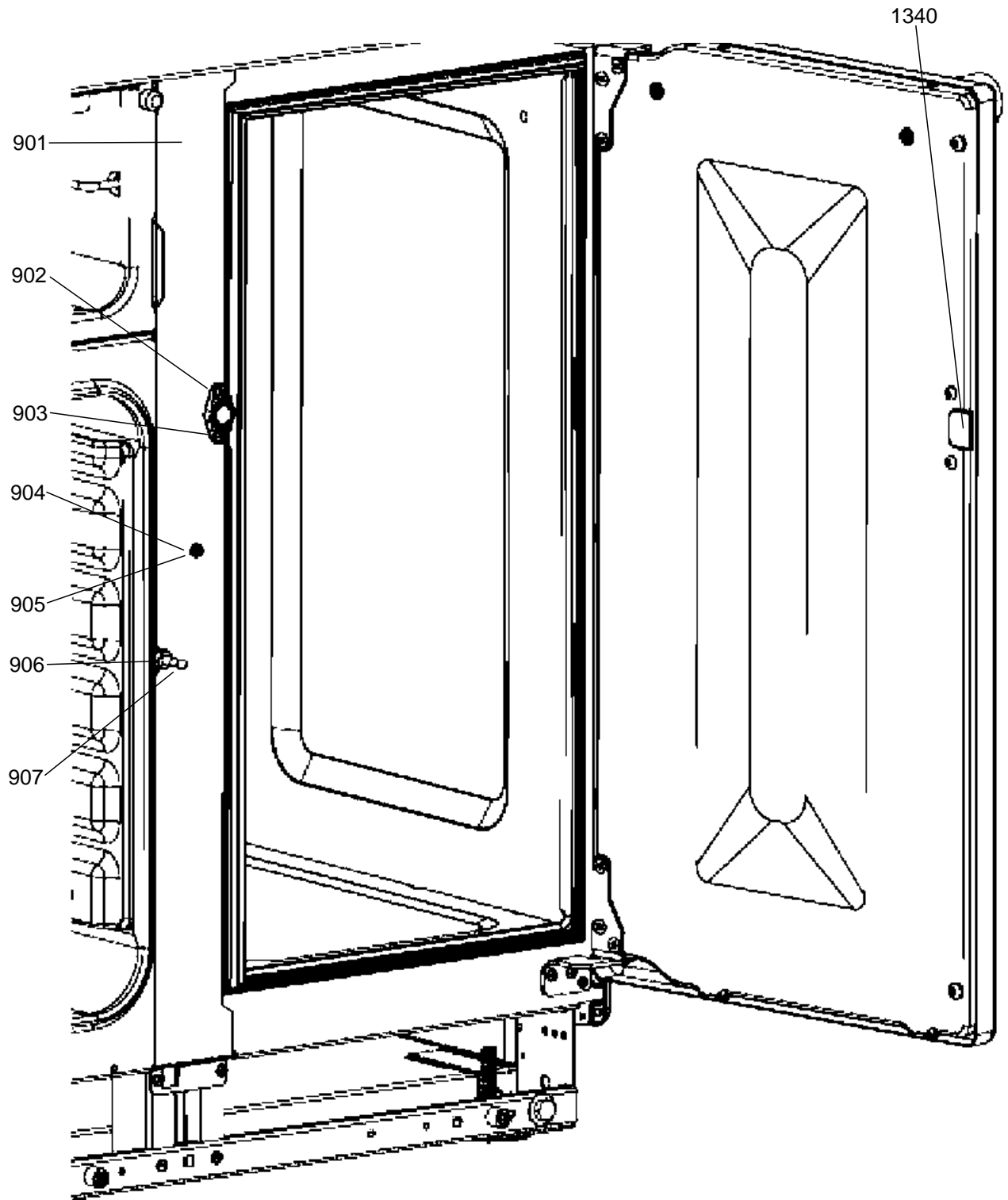
**DSL0747 P08**

ISSUE:01



**COOKER BACK AND ELECTRICAL**



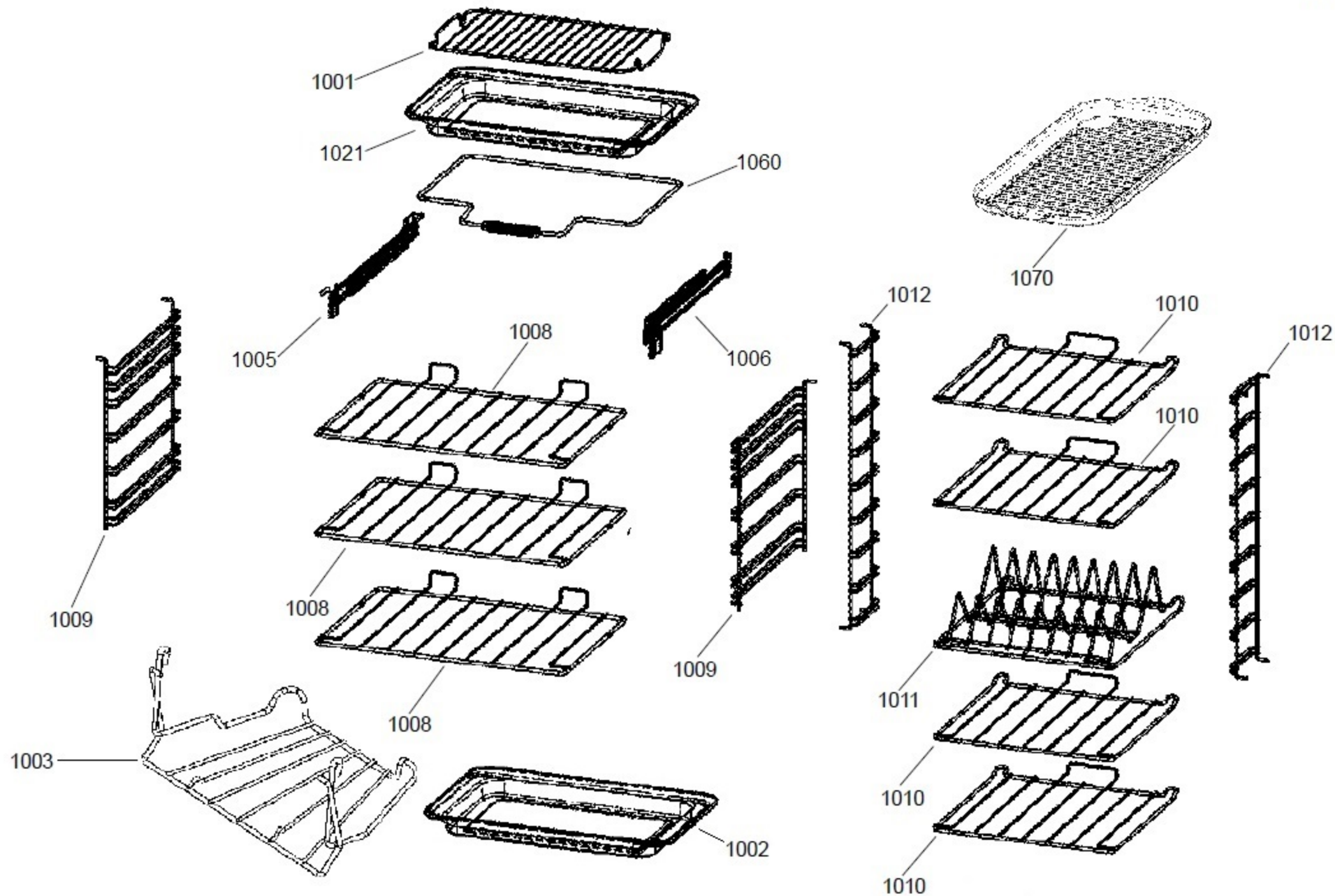


**CHASSIS ASSEMBLY**

**FALCON / RANGEMASTER  
ELAN DELUXE 90 INDUCTION**

DATE: 11.03.2019

**DSL0747 P10**  
ISSUE: 01

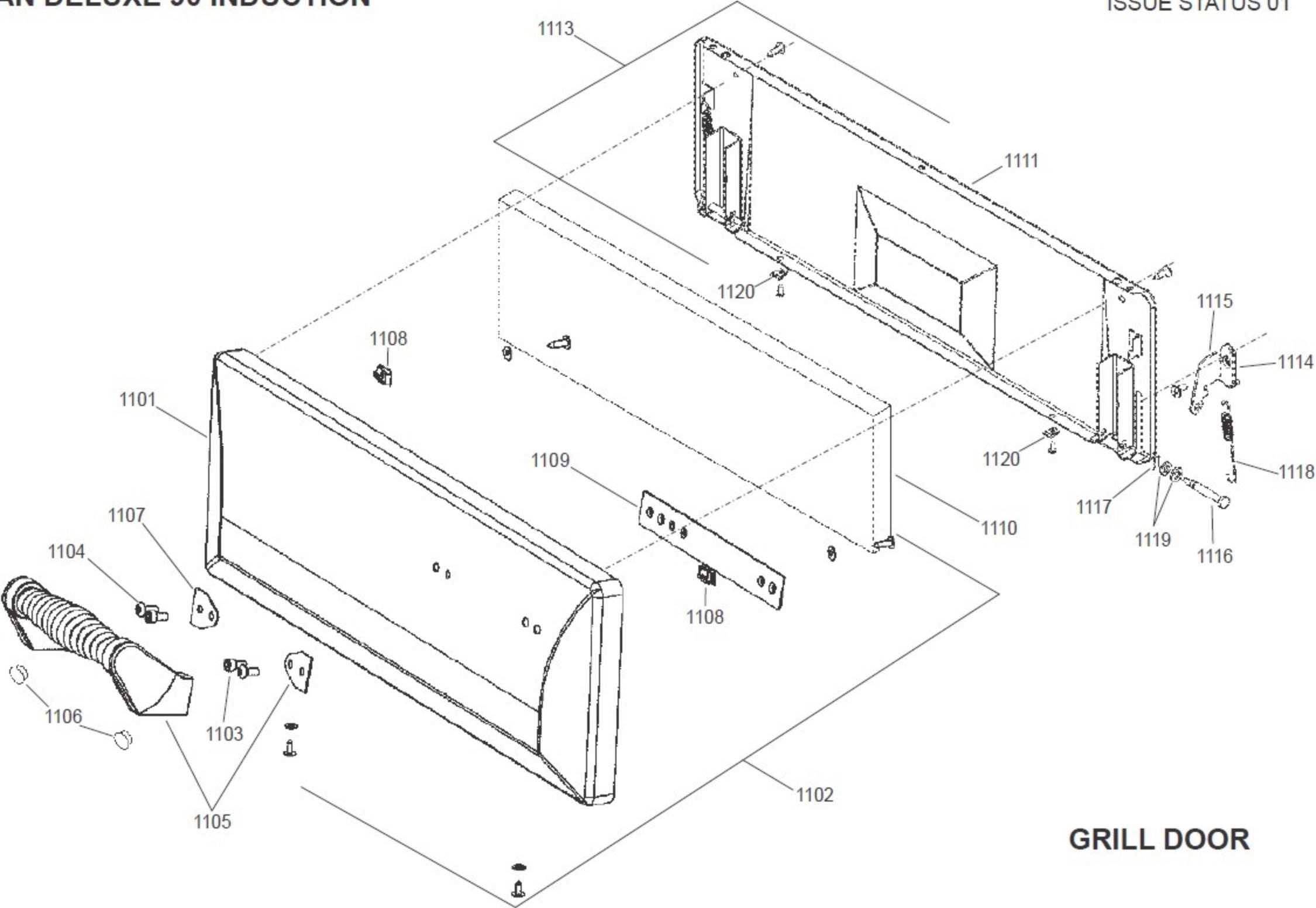


**OVEN ACCESSORIES**

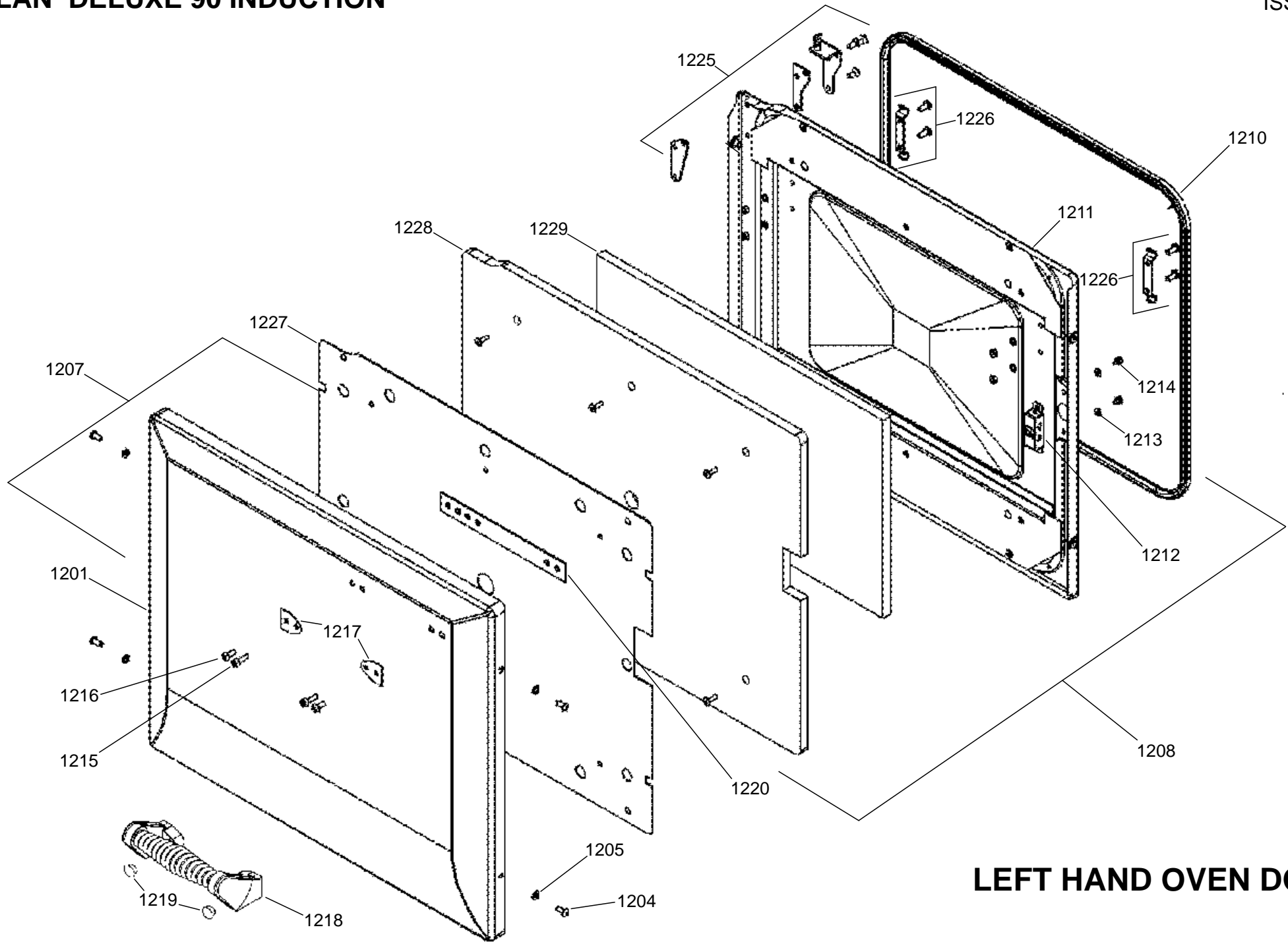
**FALCON / RANGEMASTER  
ELAN DELUXE 90 INDUCTION**

DATE: 10.12.2018

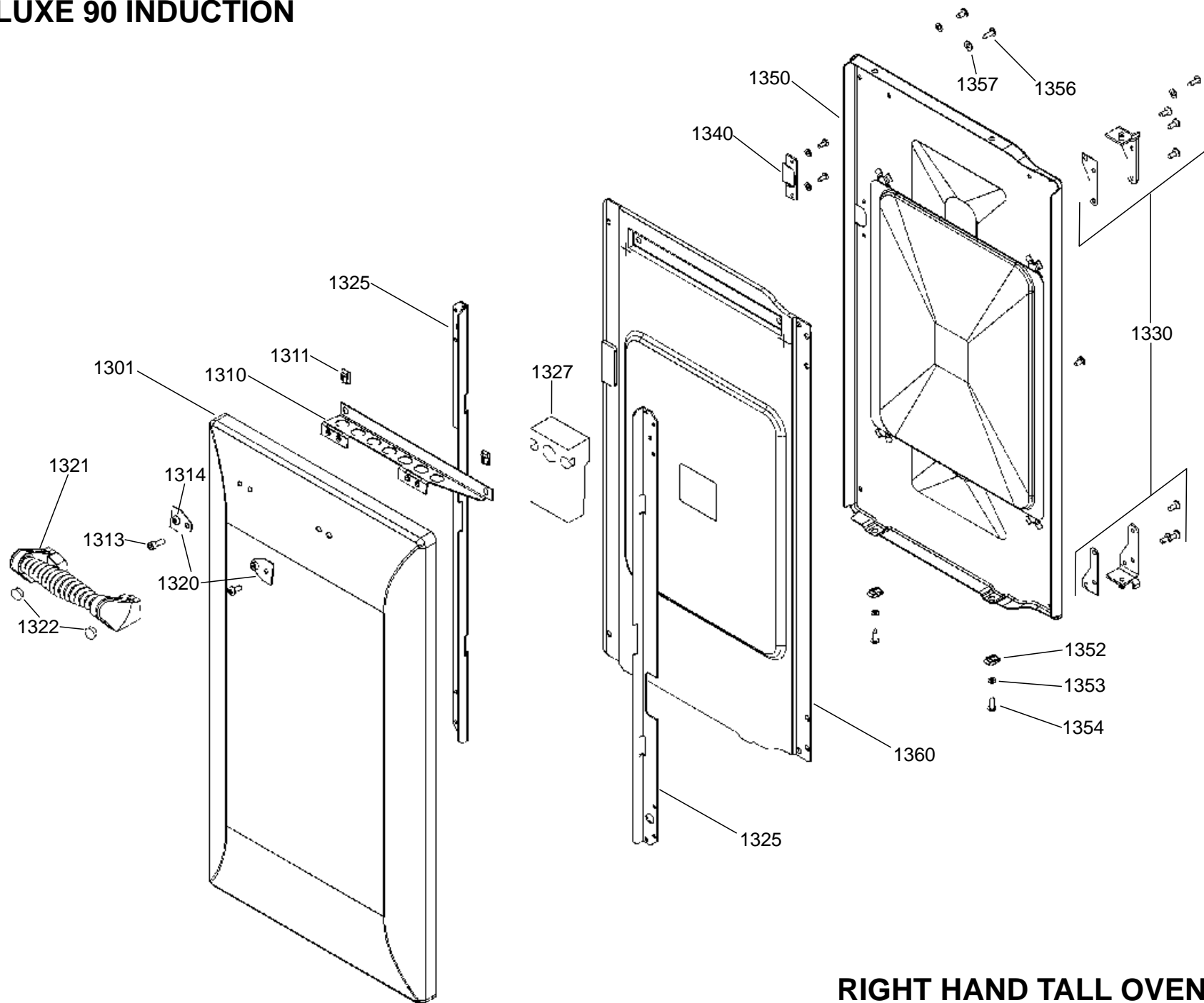
**DSL0747 P11**  
ISSUE STATUS 01



**GRILL DOOR**



**LEFT HAND OVEN DOOR**

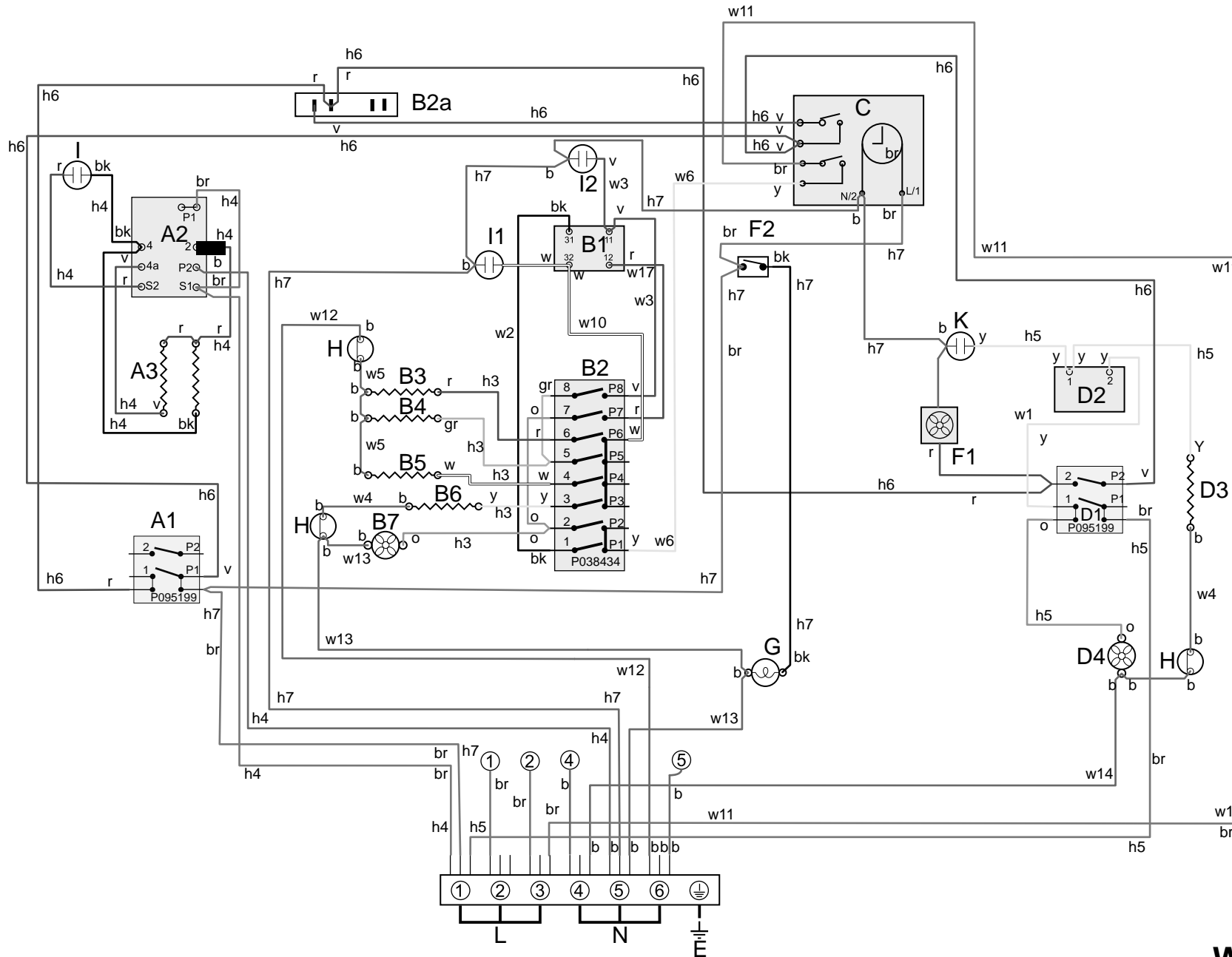


RIGHT HAND TALL OVEN DOOR

# FALCON / RANGEMASTER ELAN DELUXE 90 INDUCTION

DATE: 11.03.2019

**DSL0747 P15**  
ISSUE:01



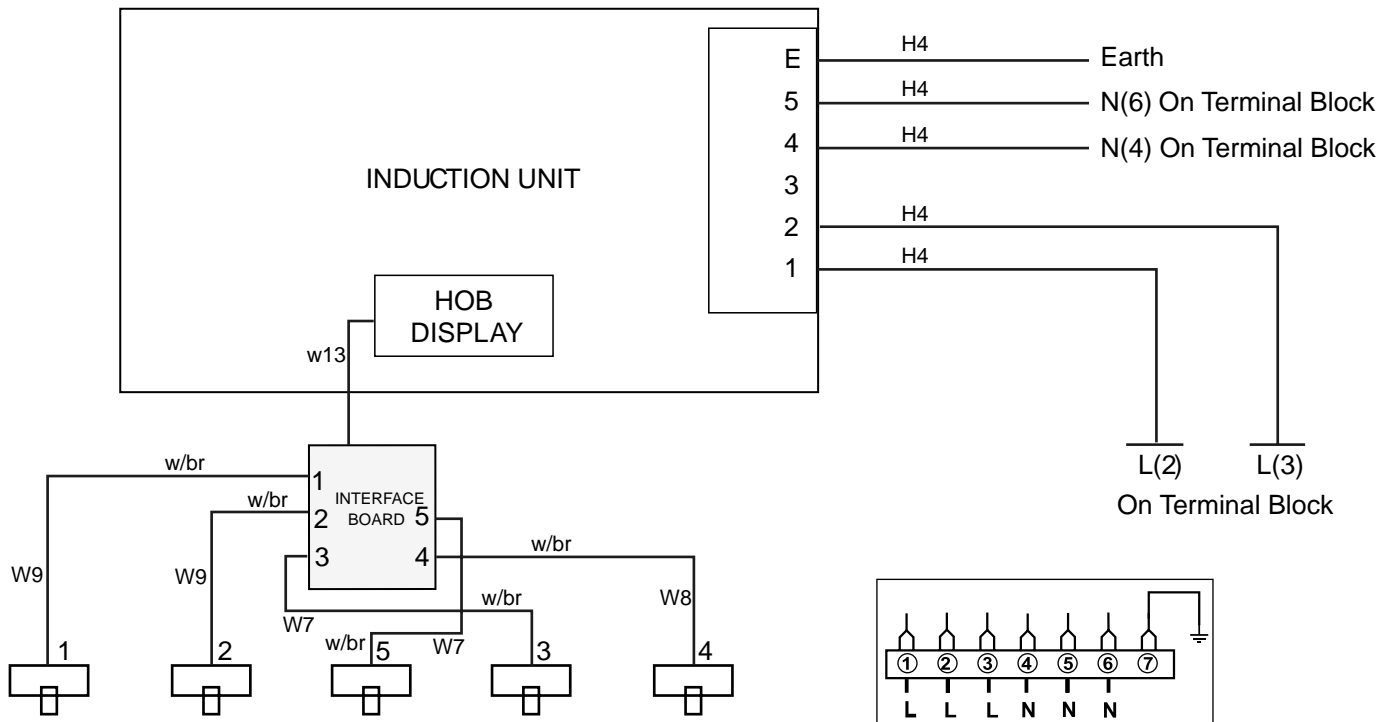
Code	Description
A1	Grill front switch
A2	Grill energy control
A3	Grill elements
B1	Multi-function oven thermostat
B2	Multi-function oven control
B2a	Multi-function oven thermostat front switch
B3	Left-hand multi-function oven base element
B4	Left-hand multi-function oven top element (outer pair)
B5	Left-hand multi-function oven browning element (inner pair)
B6	Left-hand multi-function oven fan element
B7	Left-hand multi-function oven fan

Code	Description
C	Clock
D1	Right-hand fan oven thermostat
D2	Right-hand fan oven control
D3	Right-hand fan oven element
D4	Right-hand fan oven fan
F1	Cooling fan
F2	Oven light switch
G	Oven light(s)
H	Thermal cut-out
I1	Grill neon
I2	Rapid heat-up neon
K	RH oven neon

Code	Colour
b	Blue
br	Brown
bk	Black
or	Orange
r	Red
v	Violet
w	White
y	Yellow
g/y	Green/yellow
gr	Grey

**WIRING DIAGRAM**

## Hob Unit



The connections shown in the circuit diagram are for single - phase. The ratings are for 230V 50Hz.

### KEY

Code	Description
1	Left-hand front element
2	Left-hand rear element
3	Right-hand rear element
4	Right-hand front element
5	Centre element

Code	Colour
w/br	White/brown

## WIRING DIAGRAM