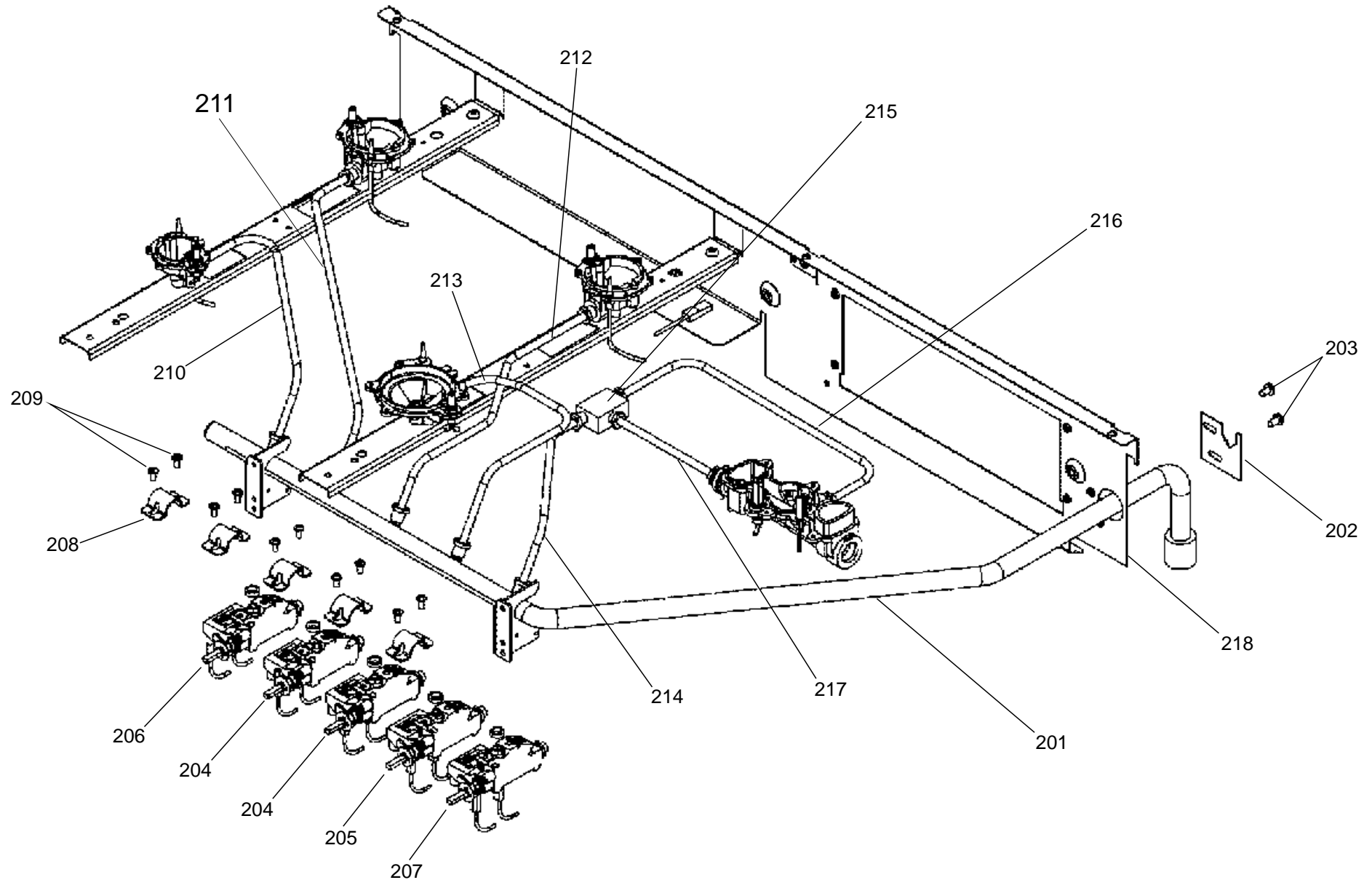


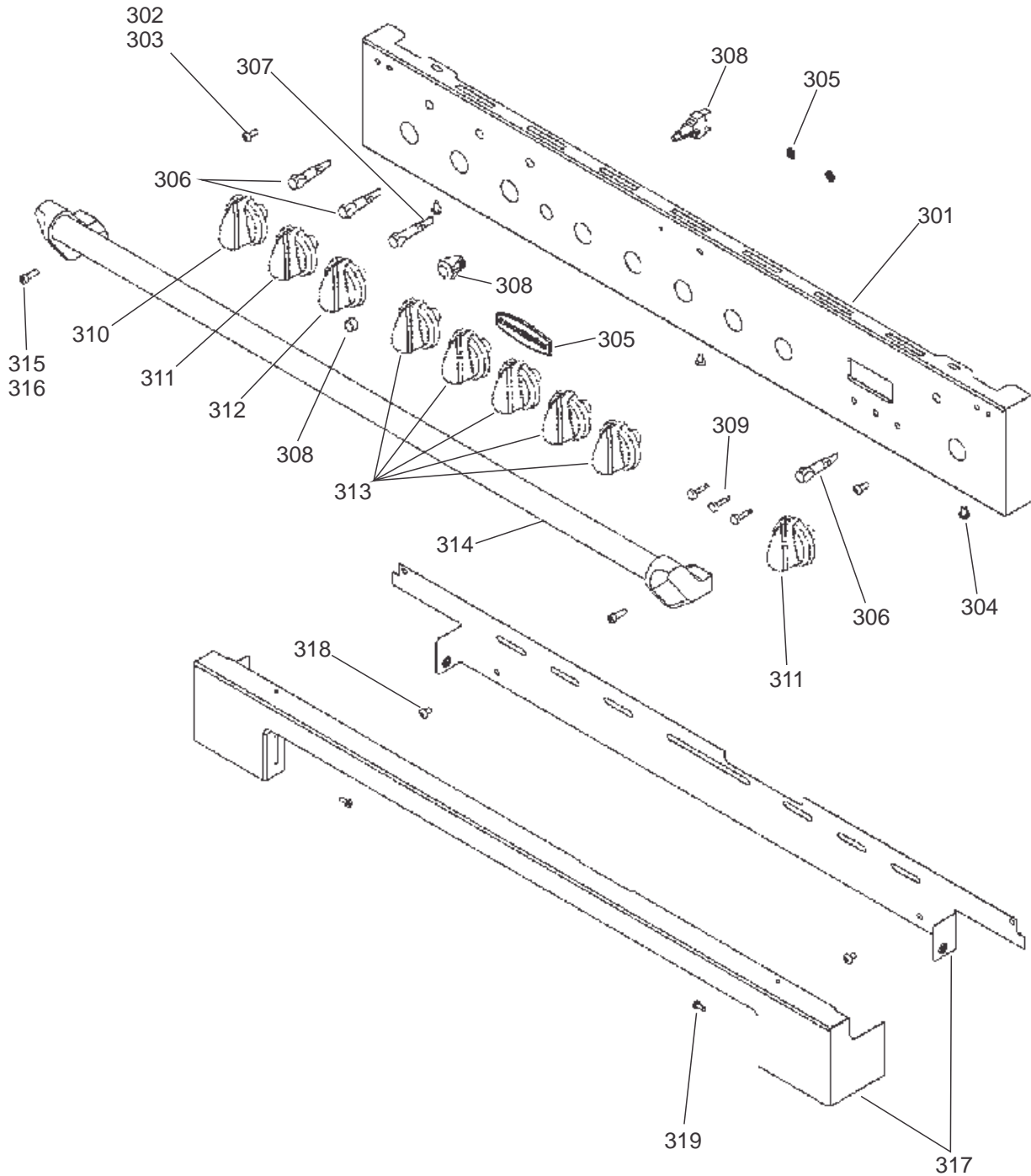


**OVERALL APPLIANCE**





**GAS RAIL TAPS INJECTORS BURNERS AND PIPES**



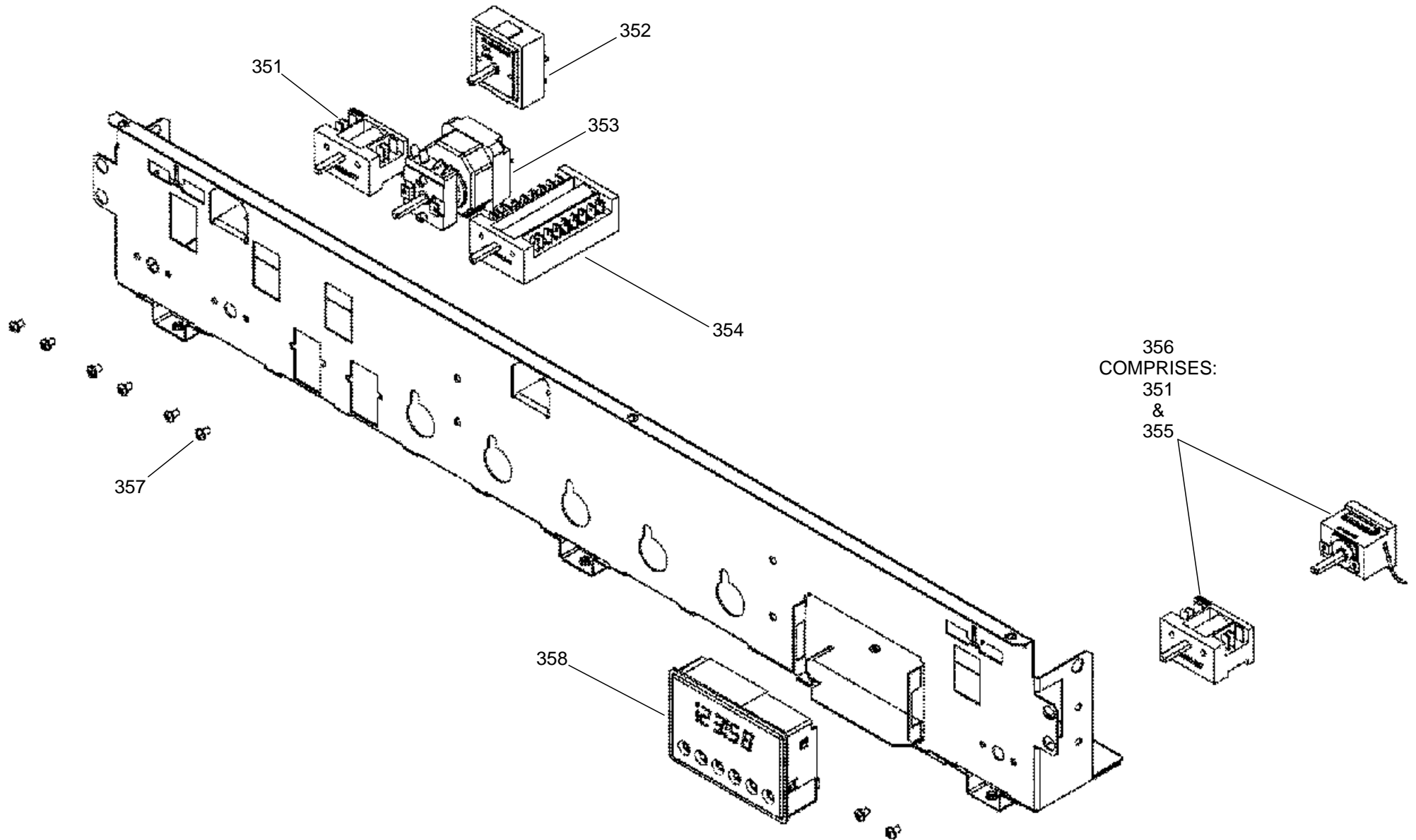
FACIA PANEL KNOBS AND PLINTH

**FALCON / RANGEMASTER  
ELAN DELUXE 90 DUAL FUEL**

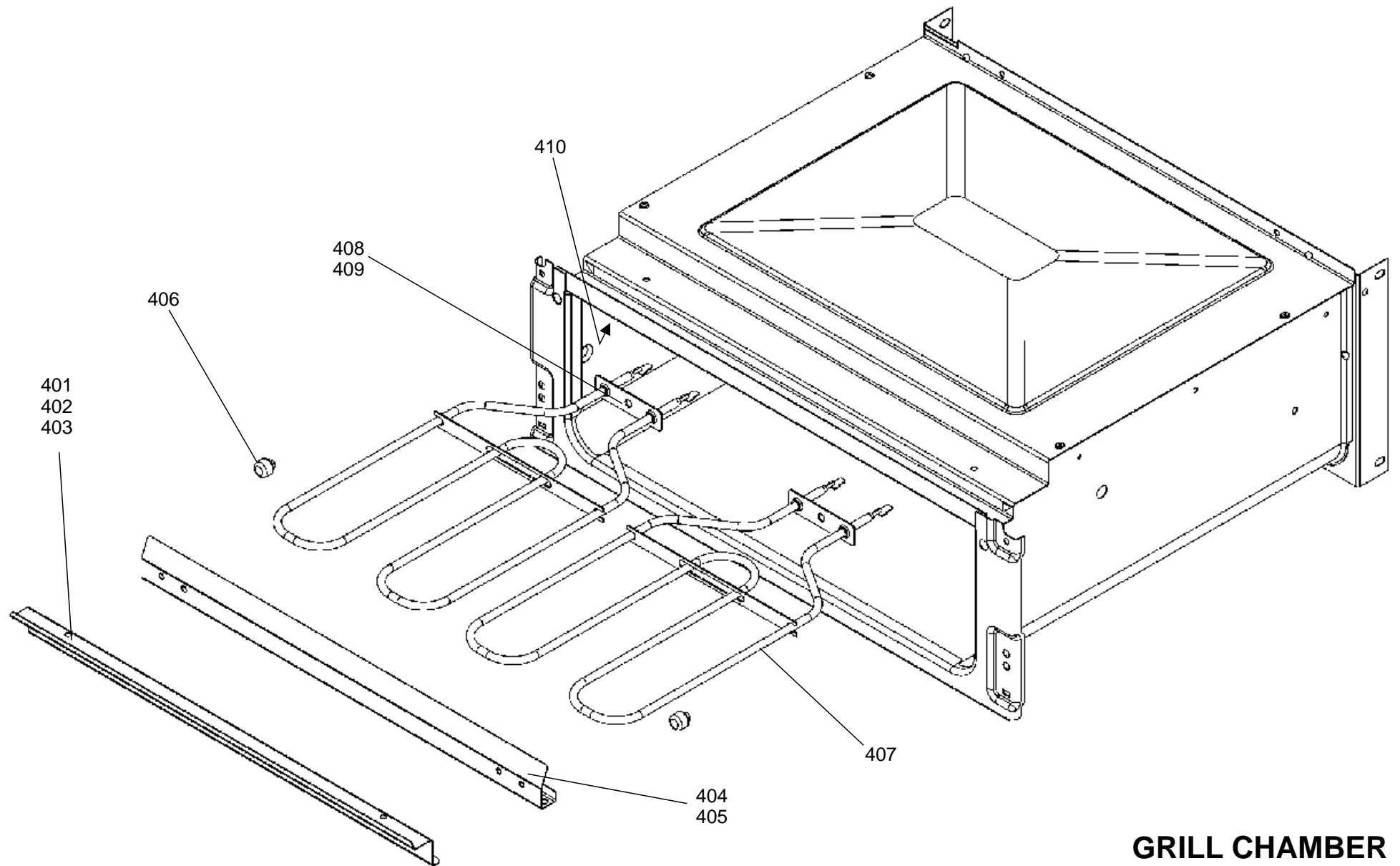
DATE: 13.03.2019

ISSUE:01

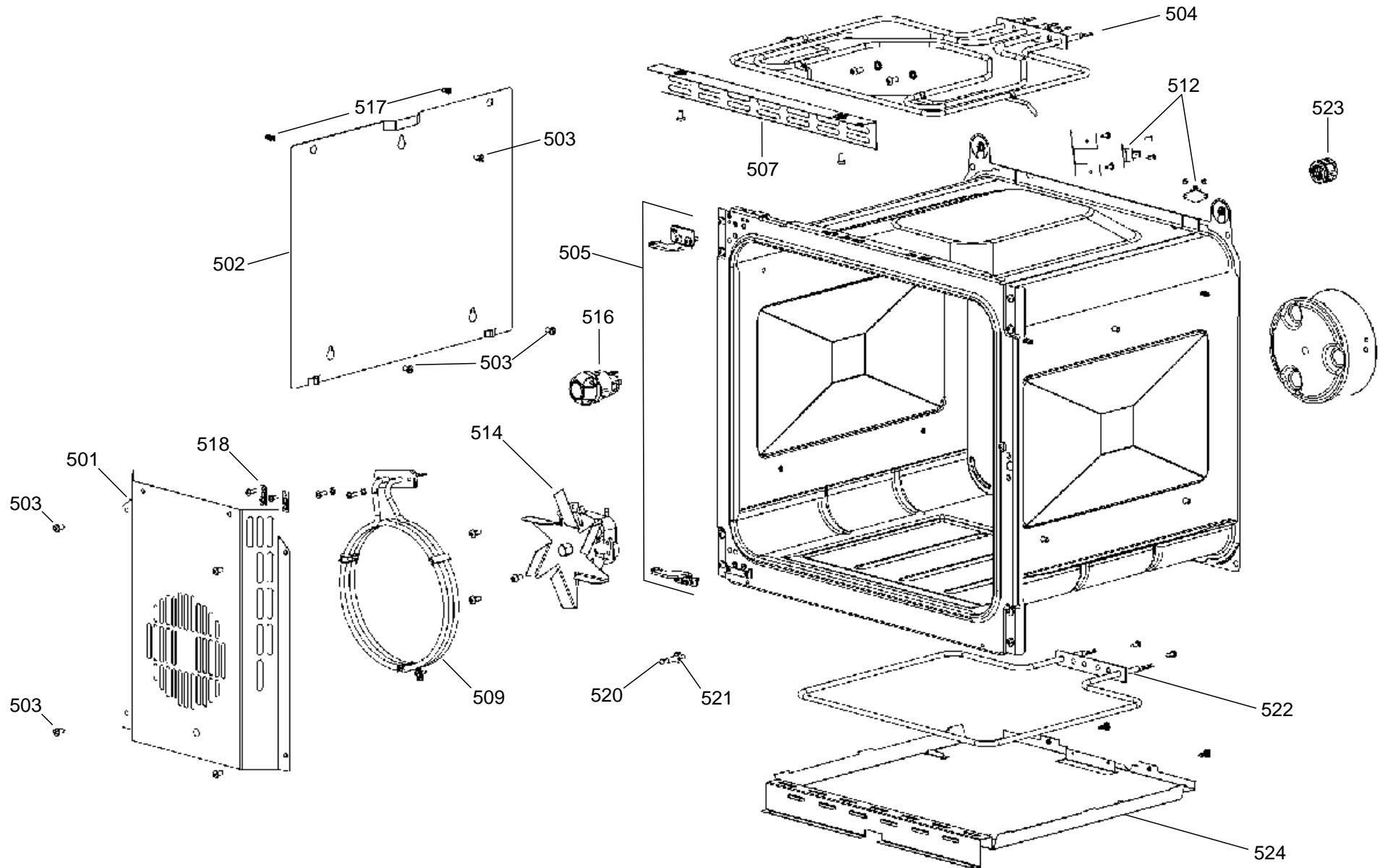
**DSL0743 P03A**



**CONTROLS ASSEMBLY**



**GRILL CHAMBER**



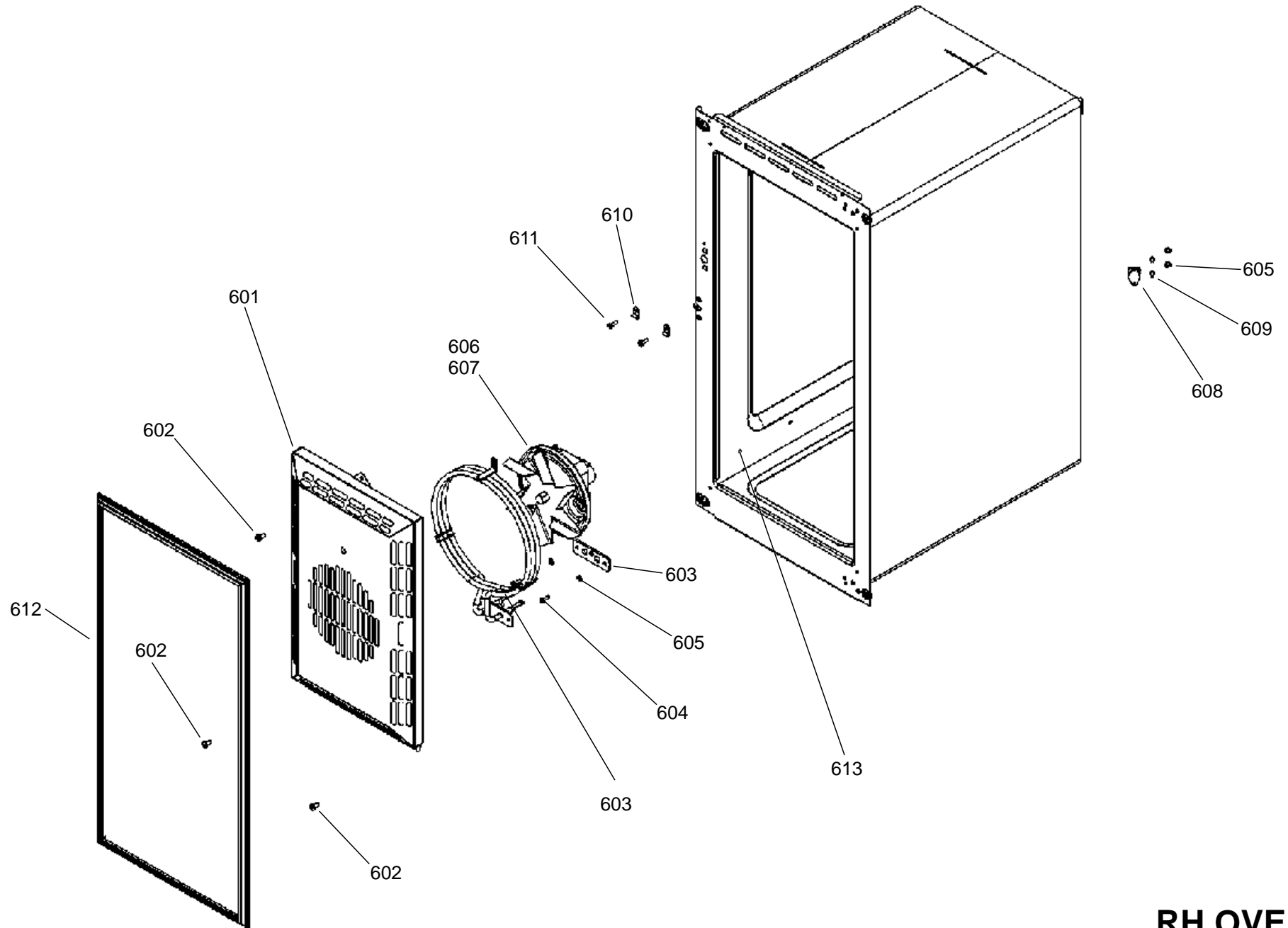
**LEFT HAND OVEN (MULTI-FUNCTION & LIGHT)**

**FALCON / RANGEMASTER  
ELAN DELUXE 90 DUAL FUEL**

DATE: 13.03.2019

ISSUE:01

**DSL0743 P06**



**RH OVEN**

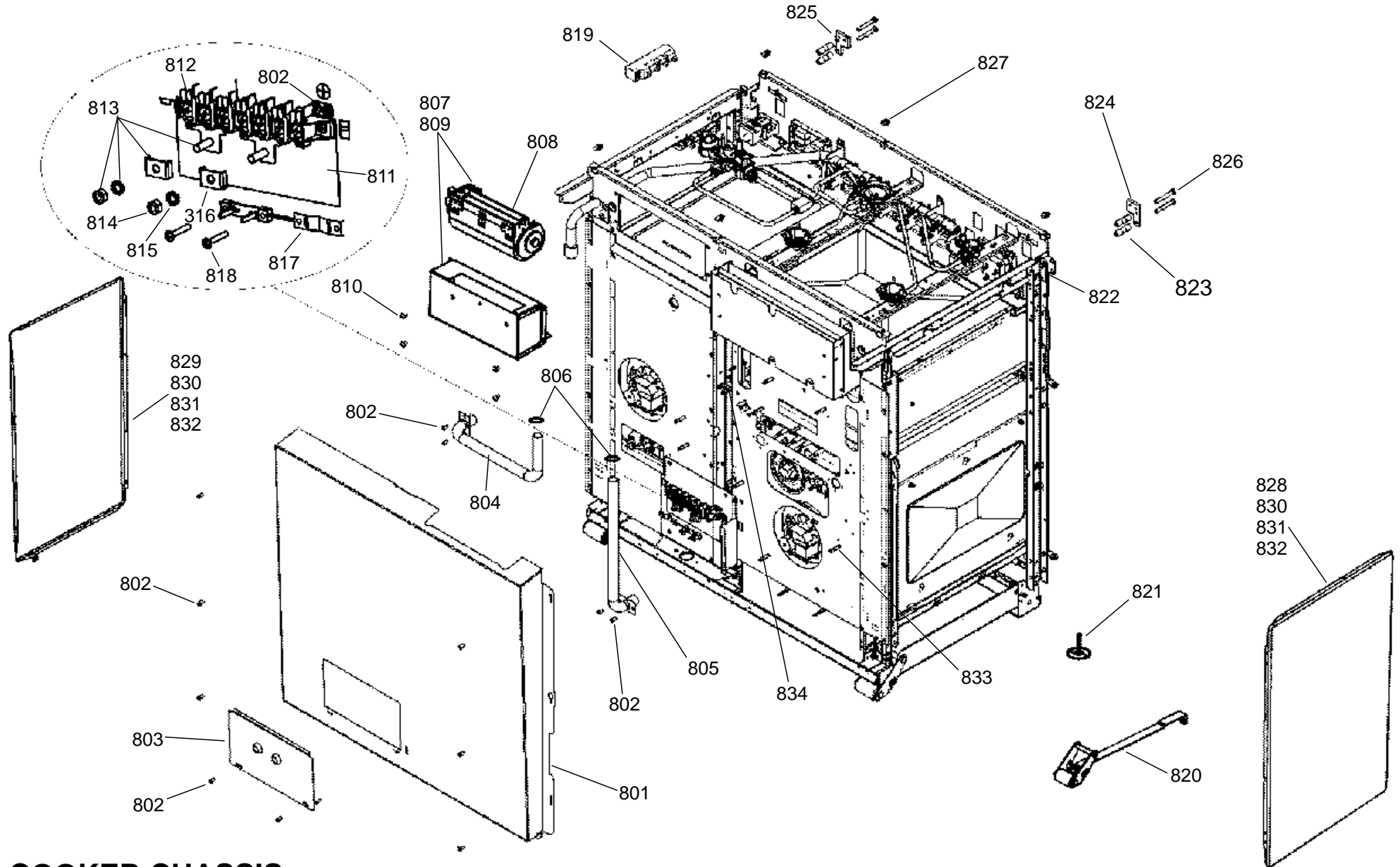


**FALCON / RANGEMASTER  
ELAN DELUXE 90 DUAL FUEL**

DATE: 13.03.2019

ISSUE:01

**DSL0743 P08**



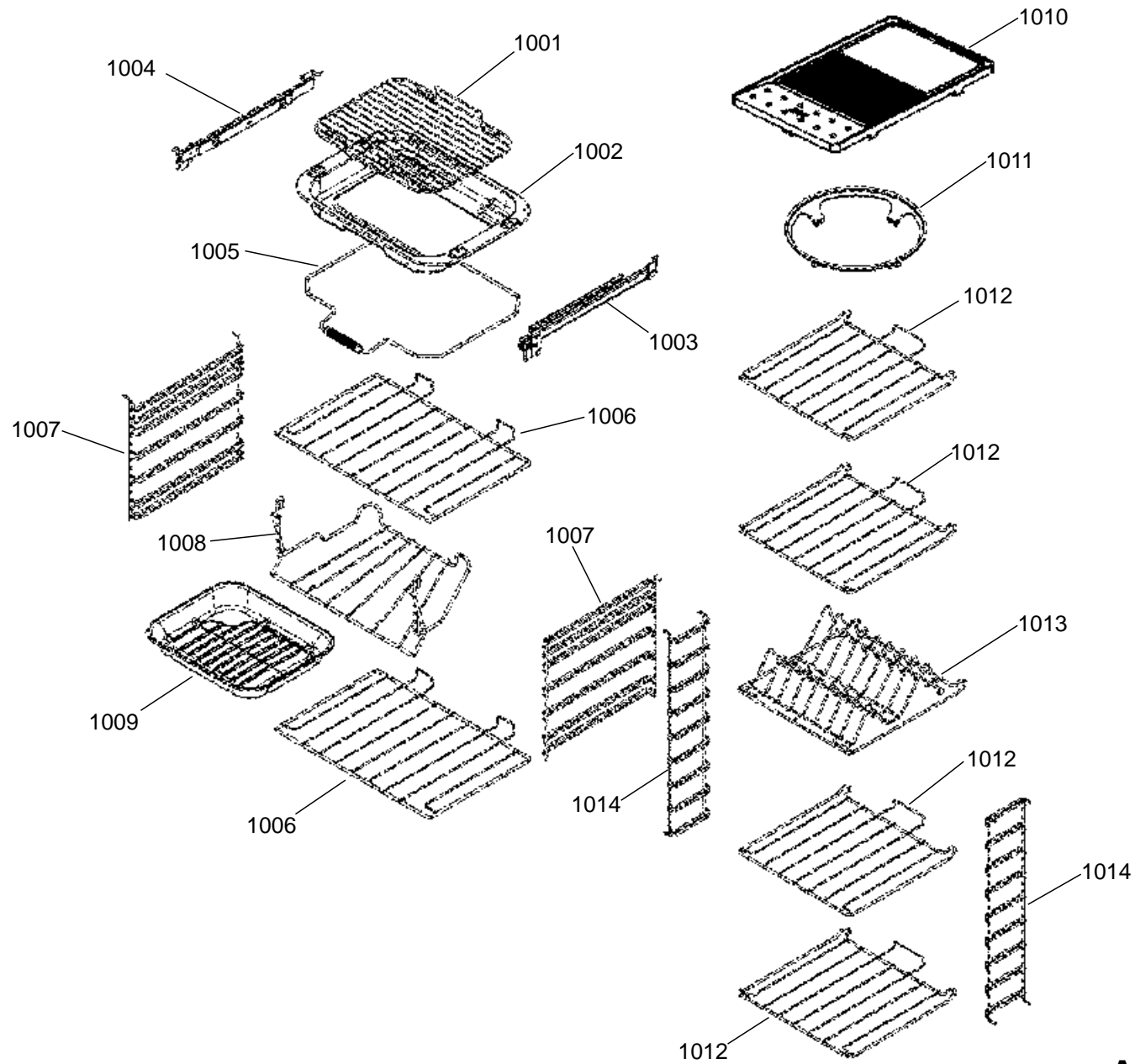
**COOKER CHASSIS**

**FALCON / RANGEMASTER  
ELAN DELUXE 90 DUAL FUEL**

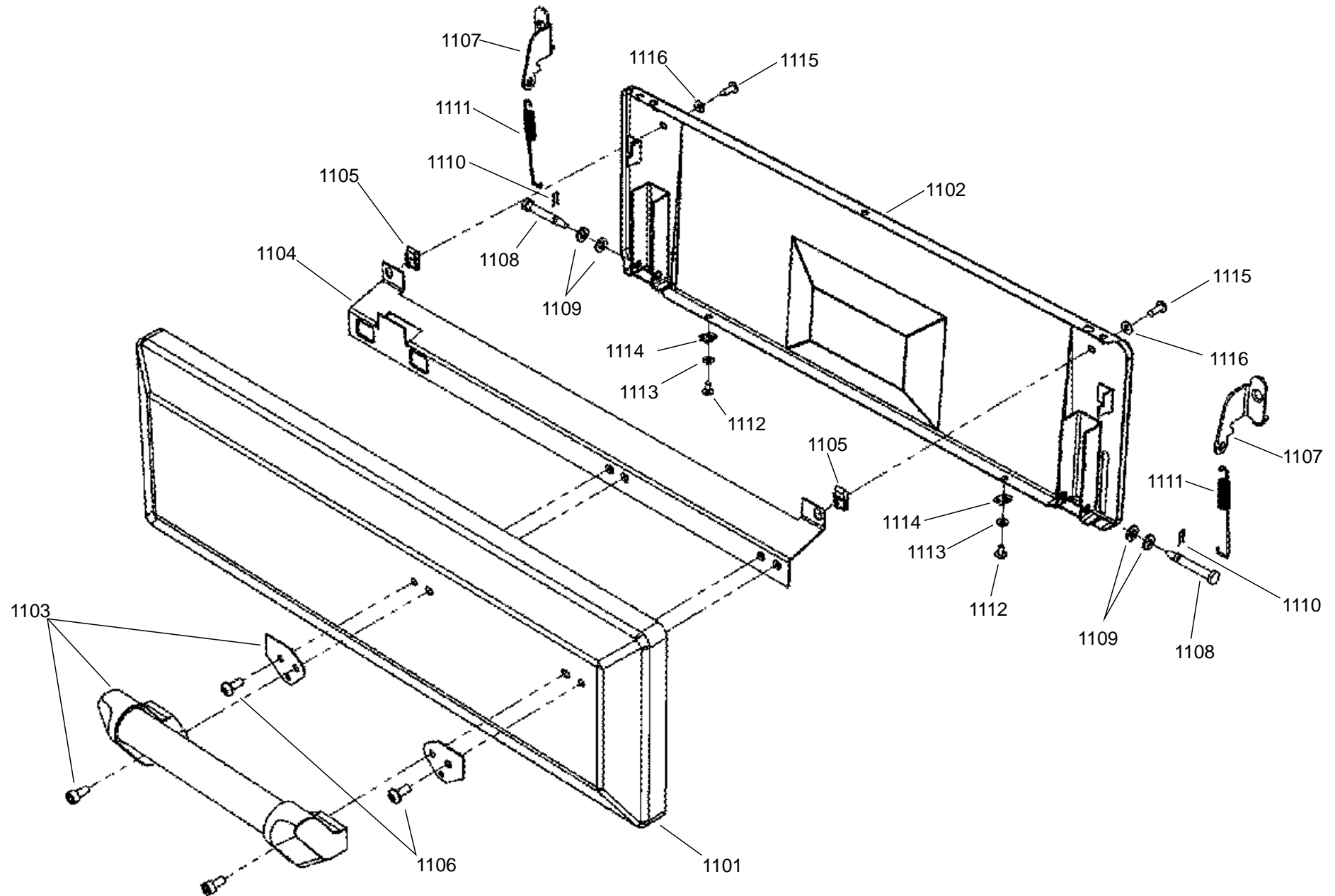
DATE: 13.03.2019

ISSUE:01

**DSL0743 P10**



**ACCESSORIES**



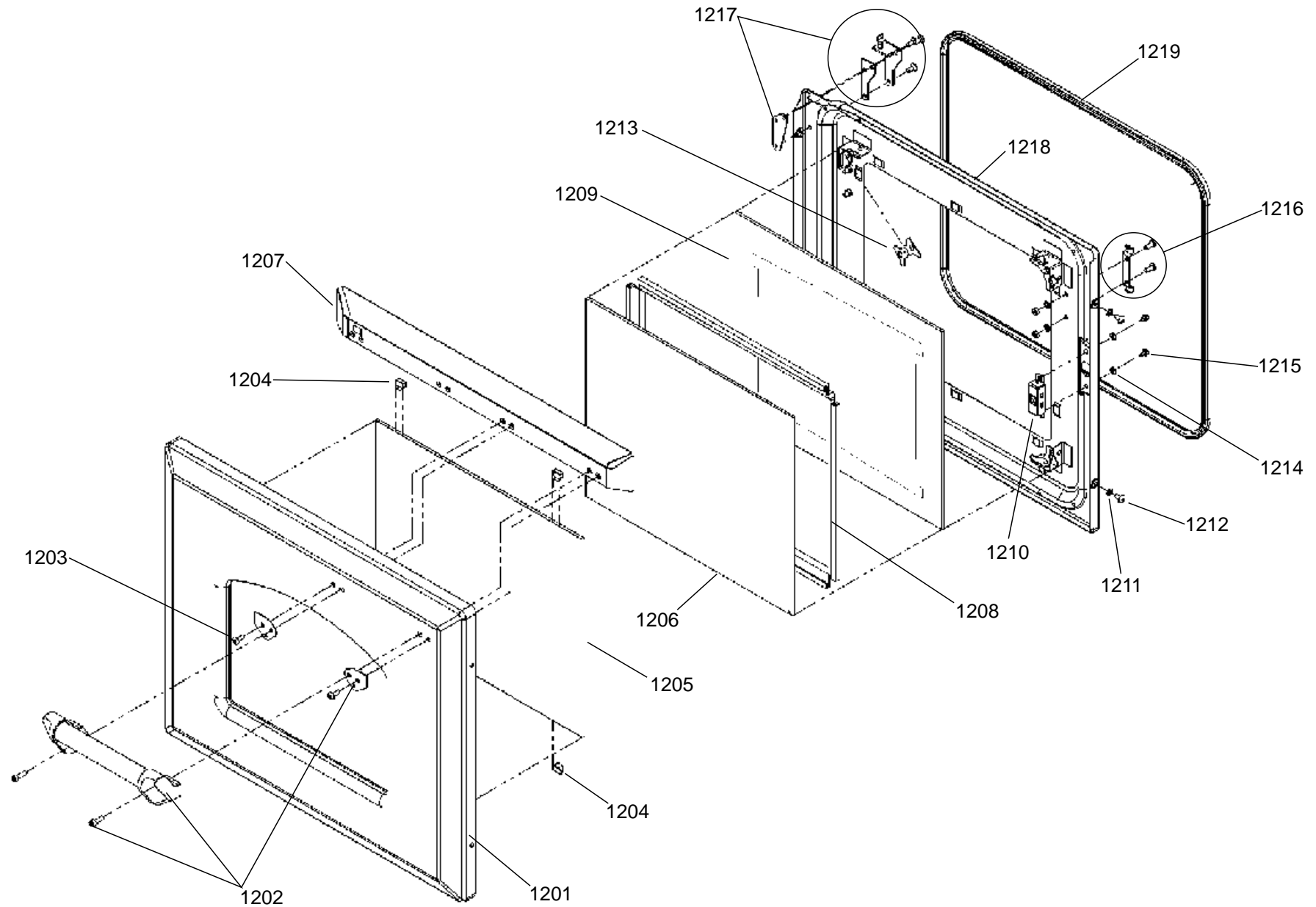
**GRILL DOOR**

**FALCON / RANGEMASTER  
ELAN DELUXE 90 DUAL FUEL**

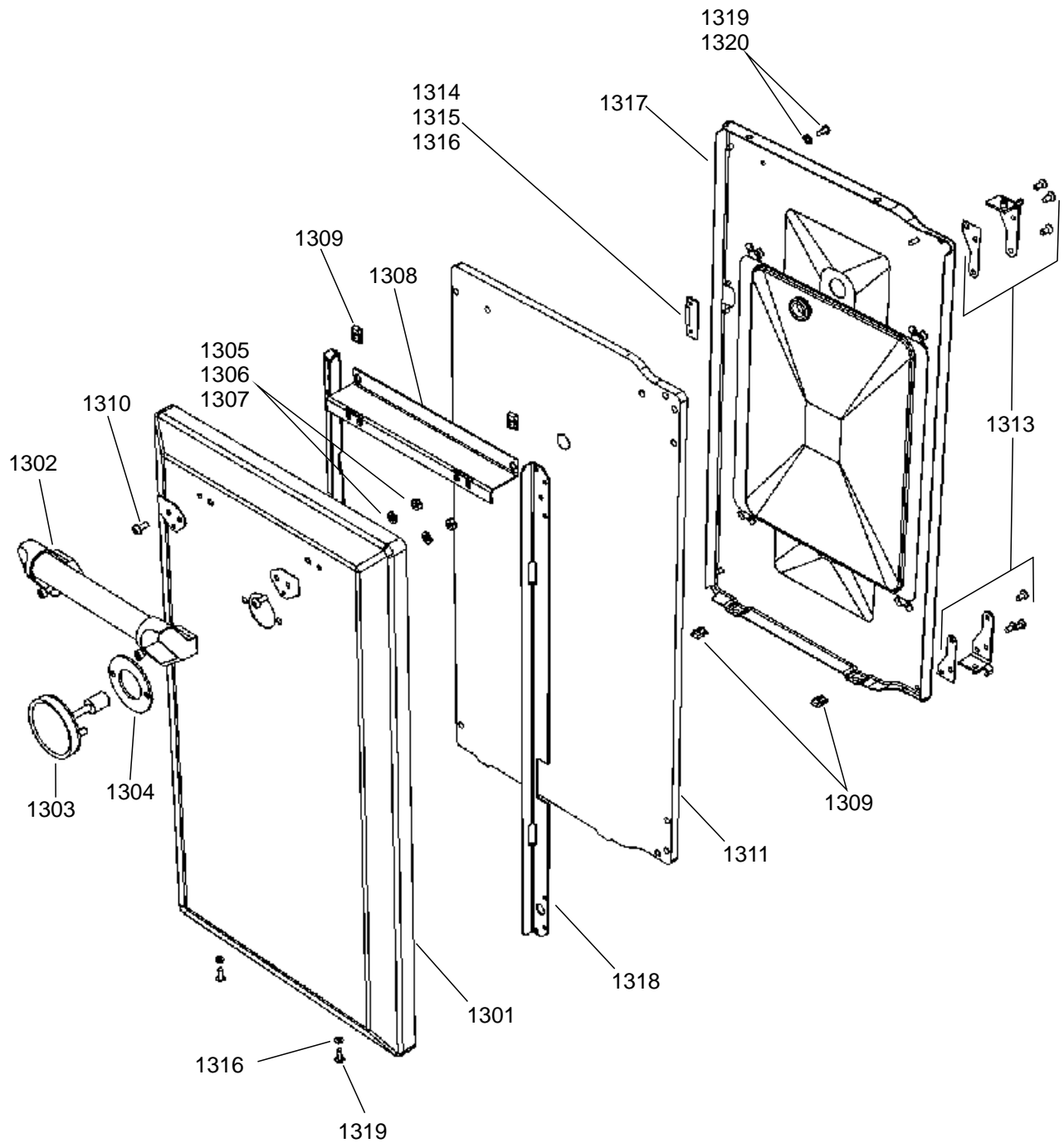
DATE: 13.03.2019

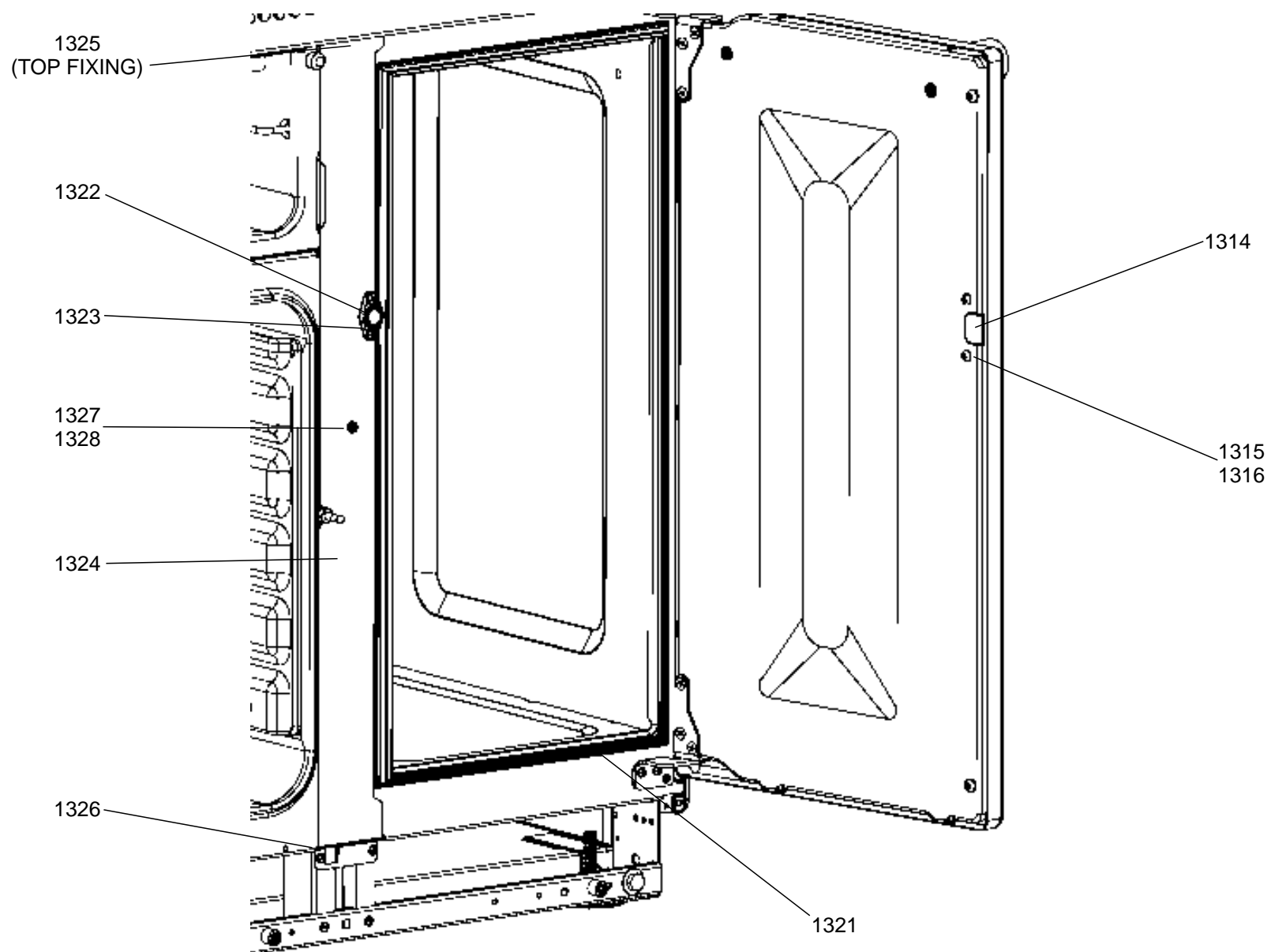
ISSUE:01

**DSL0743 P12**



**LH OVEN DOOR**





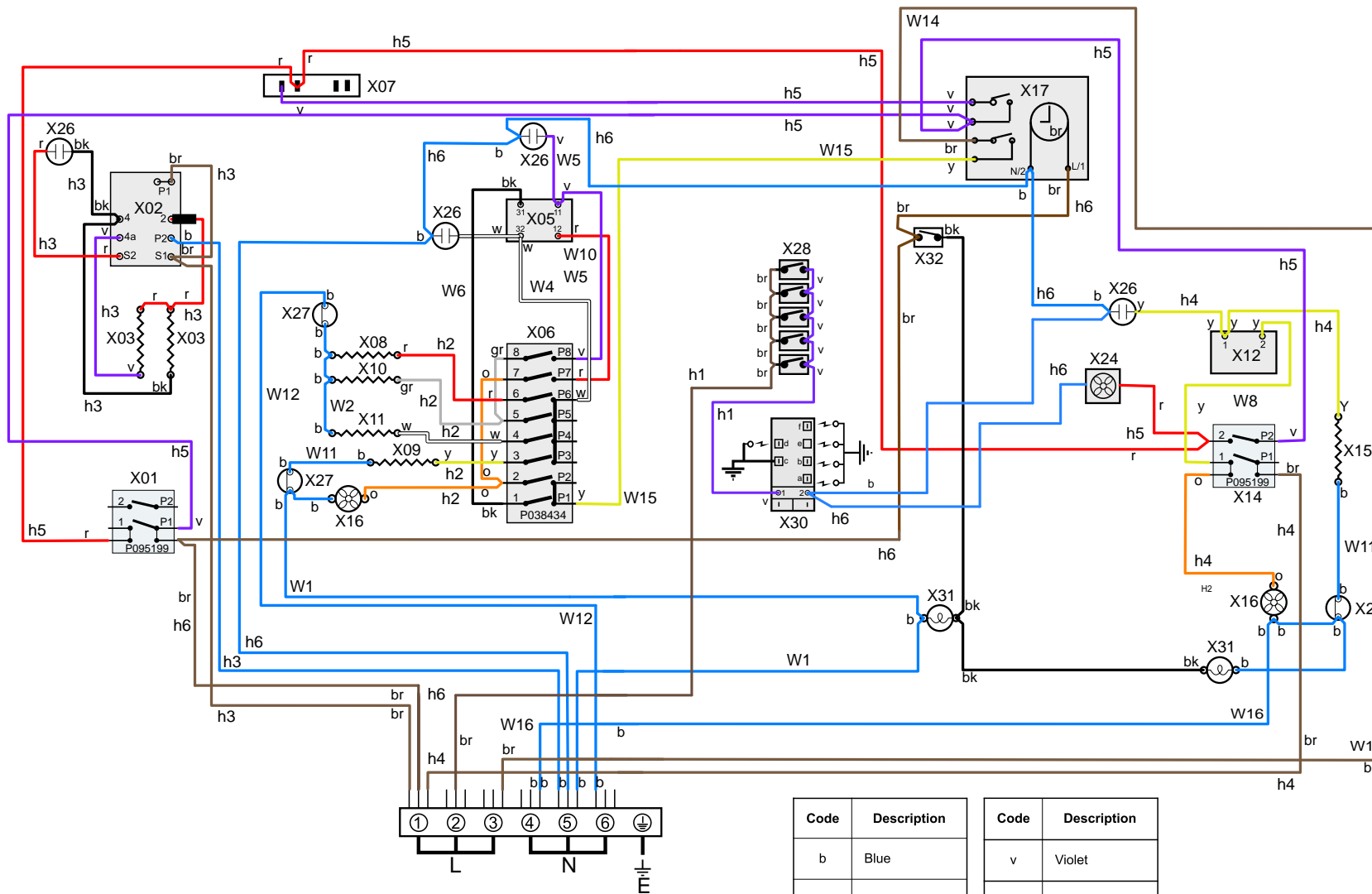
**RH DOOR AND INFILL**

# FALCON / RANGEMASTER ELAN DELUXE 90 DUAL FUEL

DATE: 13.03.2019

ISSUE:01

DSL0743 P15



Code	Description
X01	Grill Front Switch
X02	Grill Energy Regulator
X03	Grill Elements
X05	Left Hand Oven Thermostat
X06	Left Hand Oven Switch
X07	Left Hand Oven Front Switch
X08	Left Hand Oven Base Element
X09	Left Hand Oven Fan Element
X10	Left Hand Oven Top Outer Element
X11	Left Hand Oven Top Inner Element
X12	Right Hand Oven Thermostat
X14	Right Hand Oven Fan Front Switch
X15	Right Hand Oven Fan Element
X16	Oven Fan
X17	Clock / Timer
X24	Cooling Fan
X26	Neon
X27	Thermal Cut-Out
X28	Ignition Switches
X30	Spark Generator
X31	Oven Light
X32	Oven Light Switch

## WIRING DIAGRAM

Code	Description
b	Blue
br	Brown
bk	Black
or	Orange
r	Red

Code	Description
v	Violet
w	White
y	Yellow
g/y	Green / Yellow