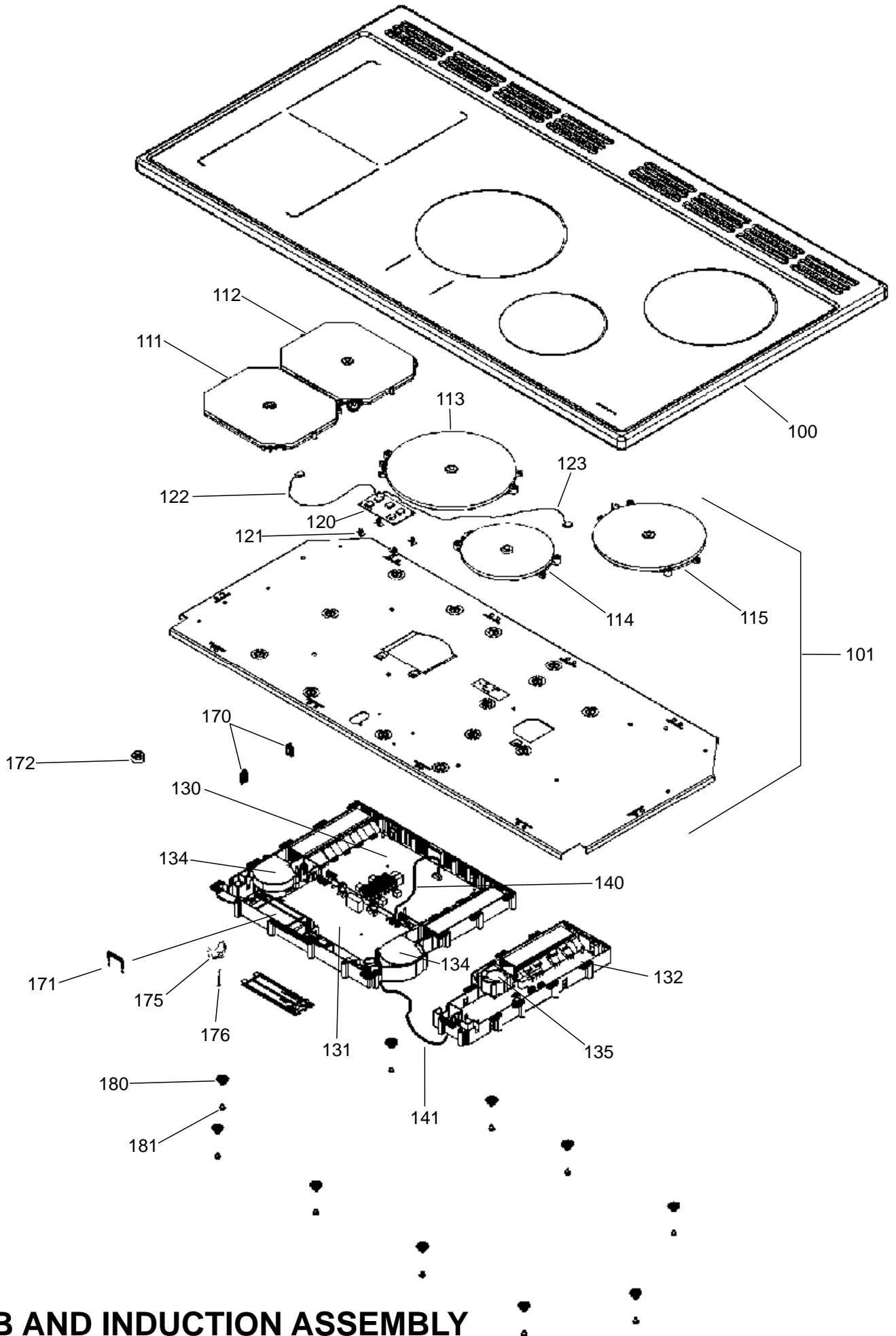




**OVERALL APPLIANCE**

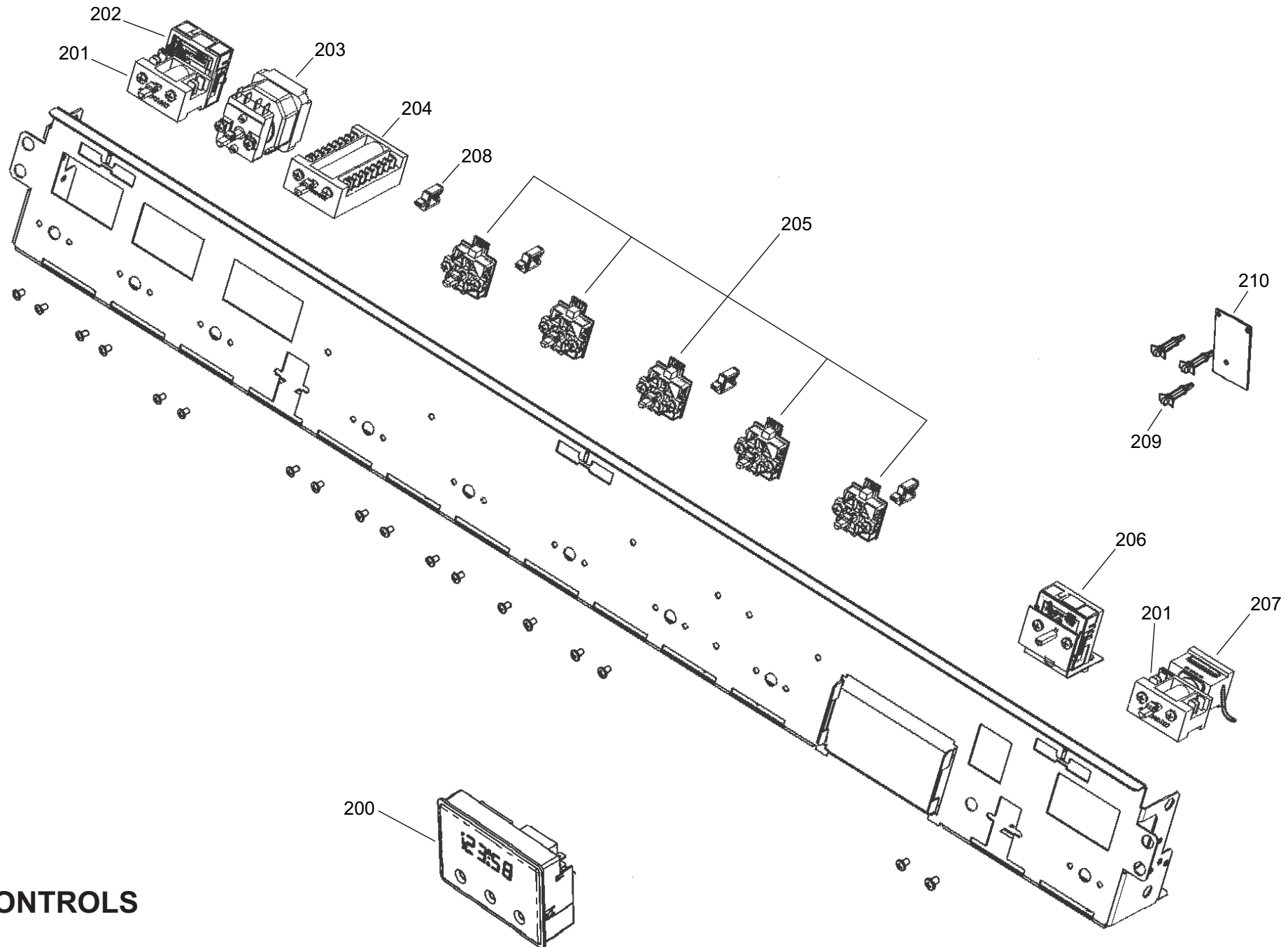


**HOB AND INDUCTION ASSEMBLY**

# FALCON / RANGEMASTER ELAN DELUXE 110 INDUCTION

DATE: 10.12.2018

**DSL0748 P02**  
ISSUE:01

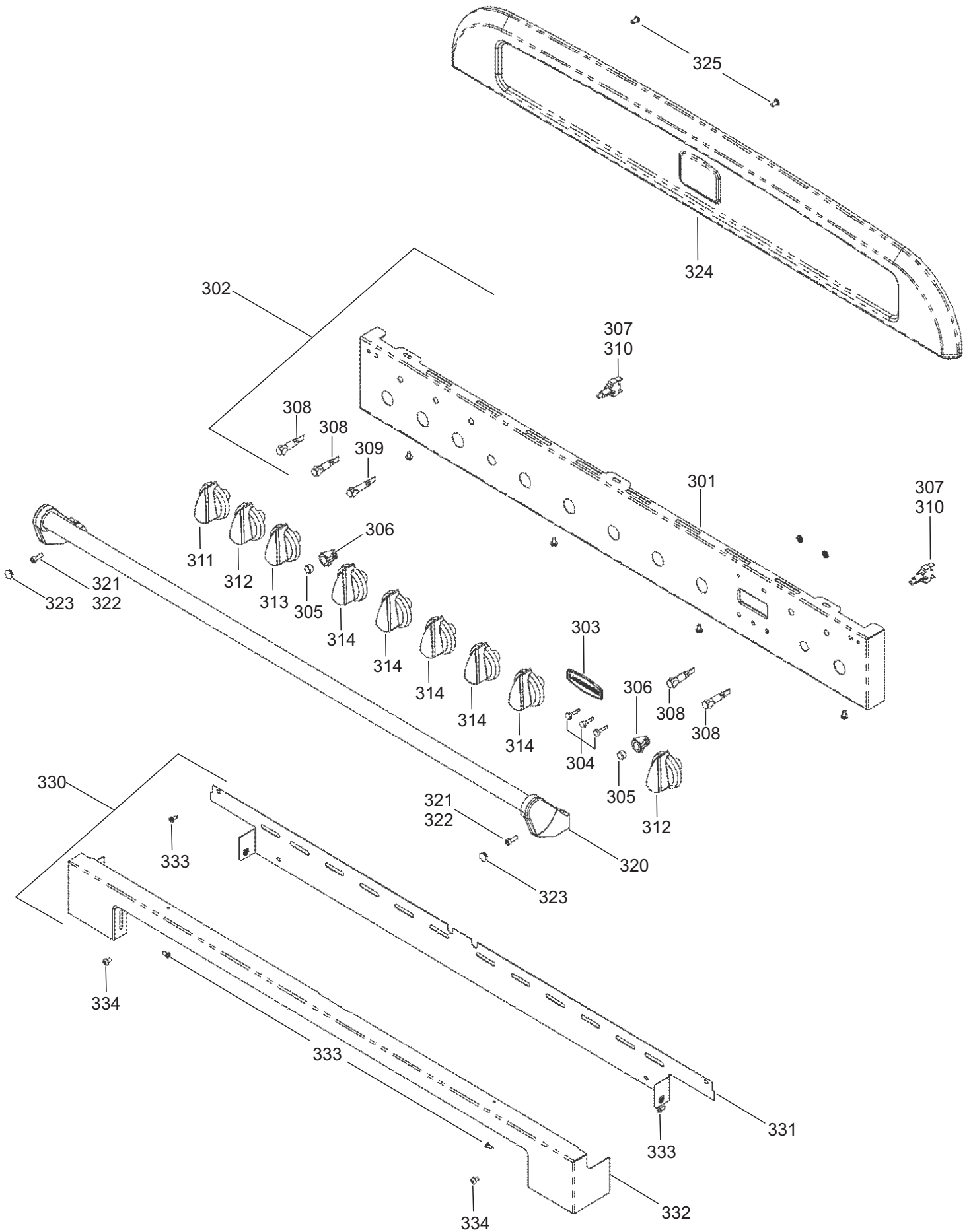


## CONTROLS

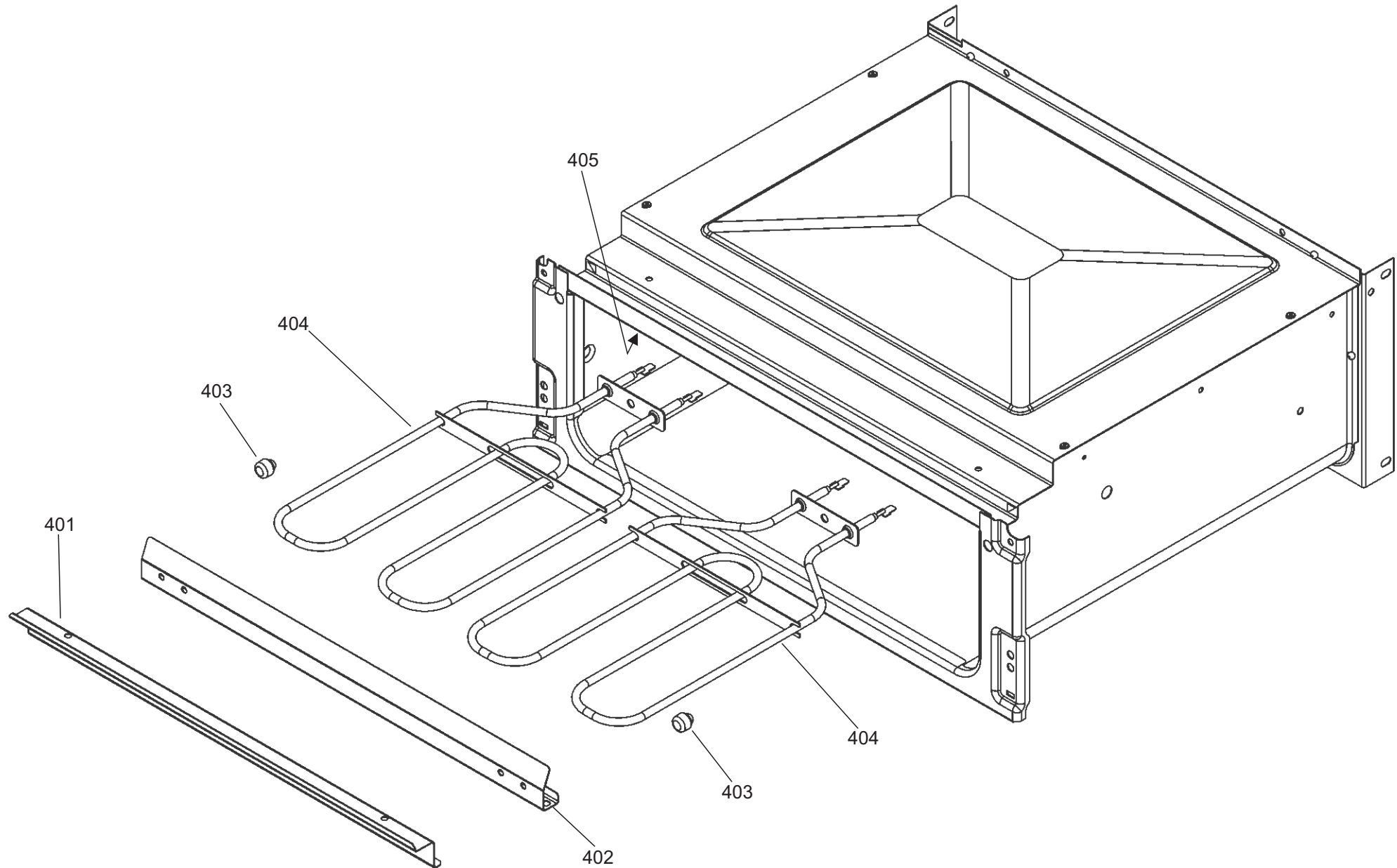
**FALCON / RANGEMASTER  
ELAN DELUXE 110 INDUCTION**

DATE: 10.12.2018

**DSL0748 P03**  
ISSUE:01



**FACIA & KNOBS ASSEMBLY**



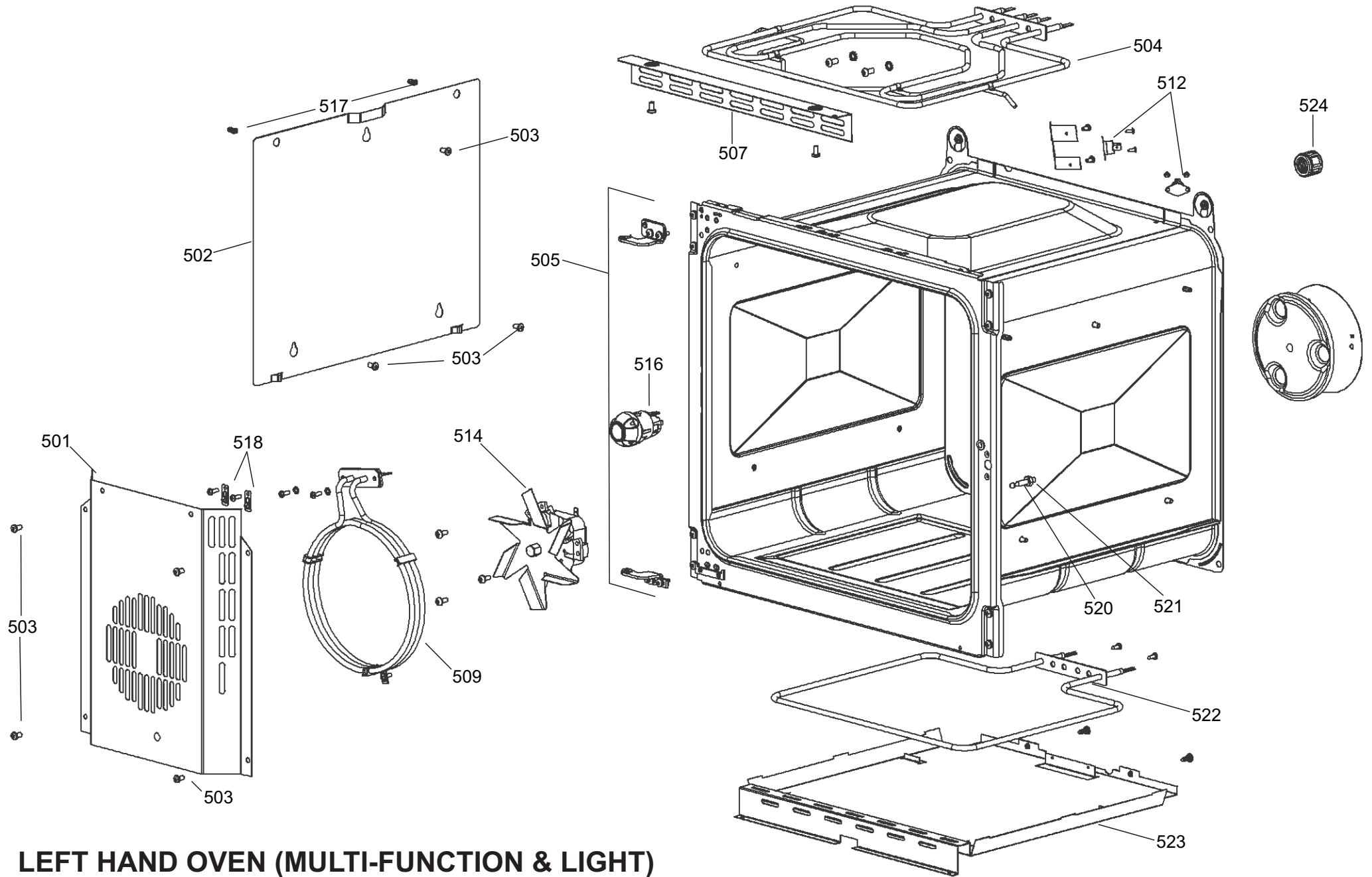
**GRILL CHAMBER**

**FALCON / RANGEMASTER  
ELAN DELUXE 110 INDUCTION**

DATE: 10.12.2018

**DSL0748 P05**

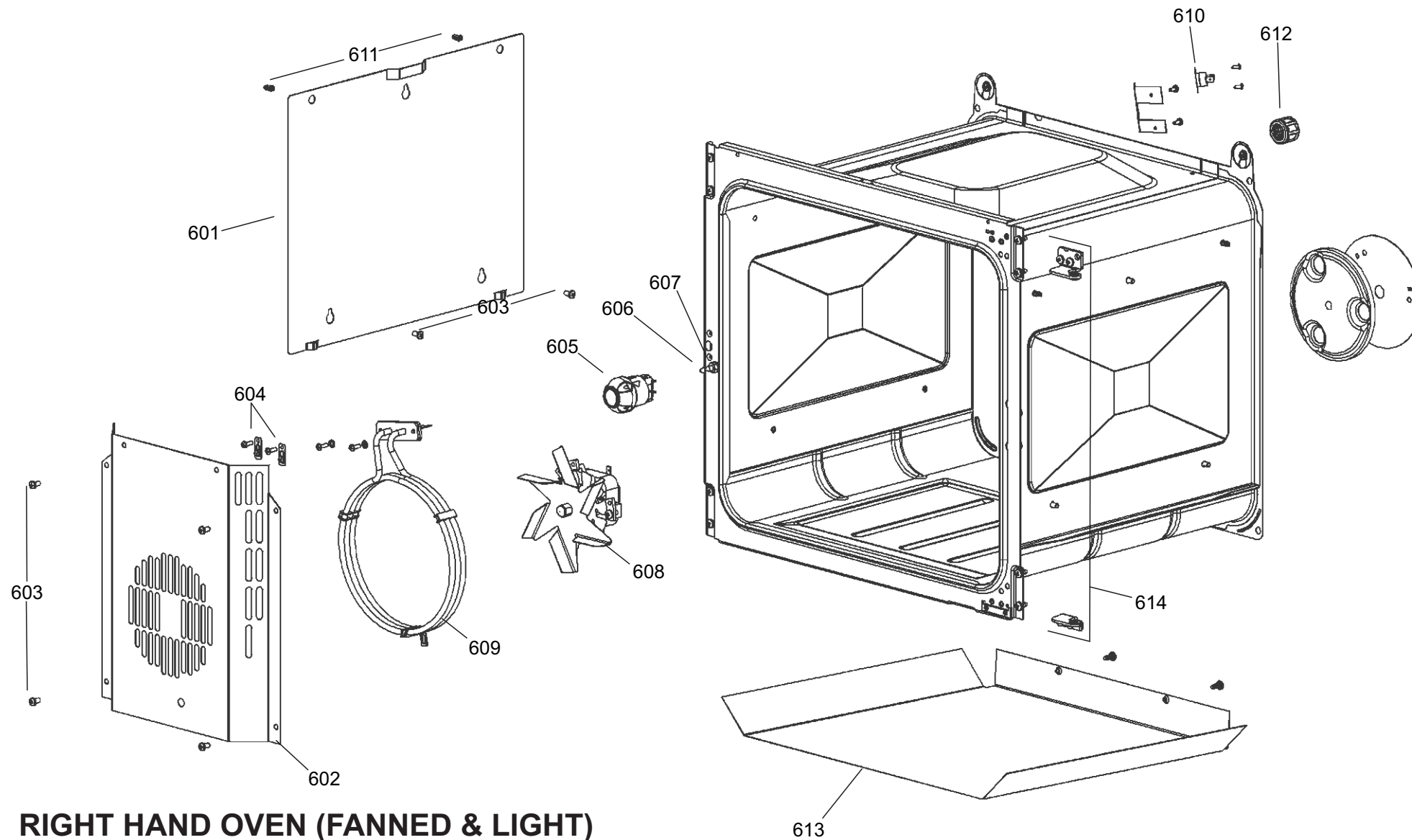
ISSUE:01



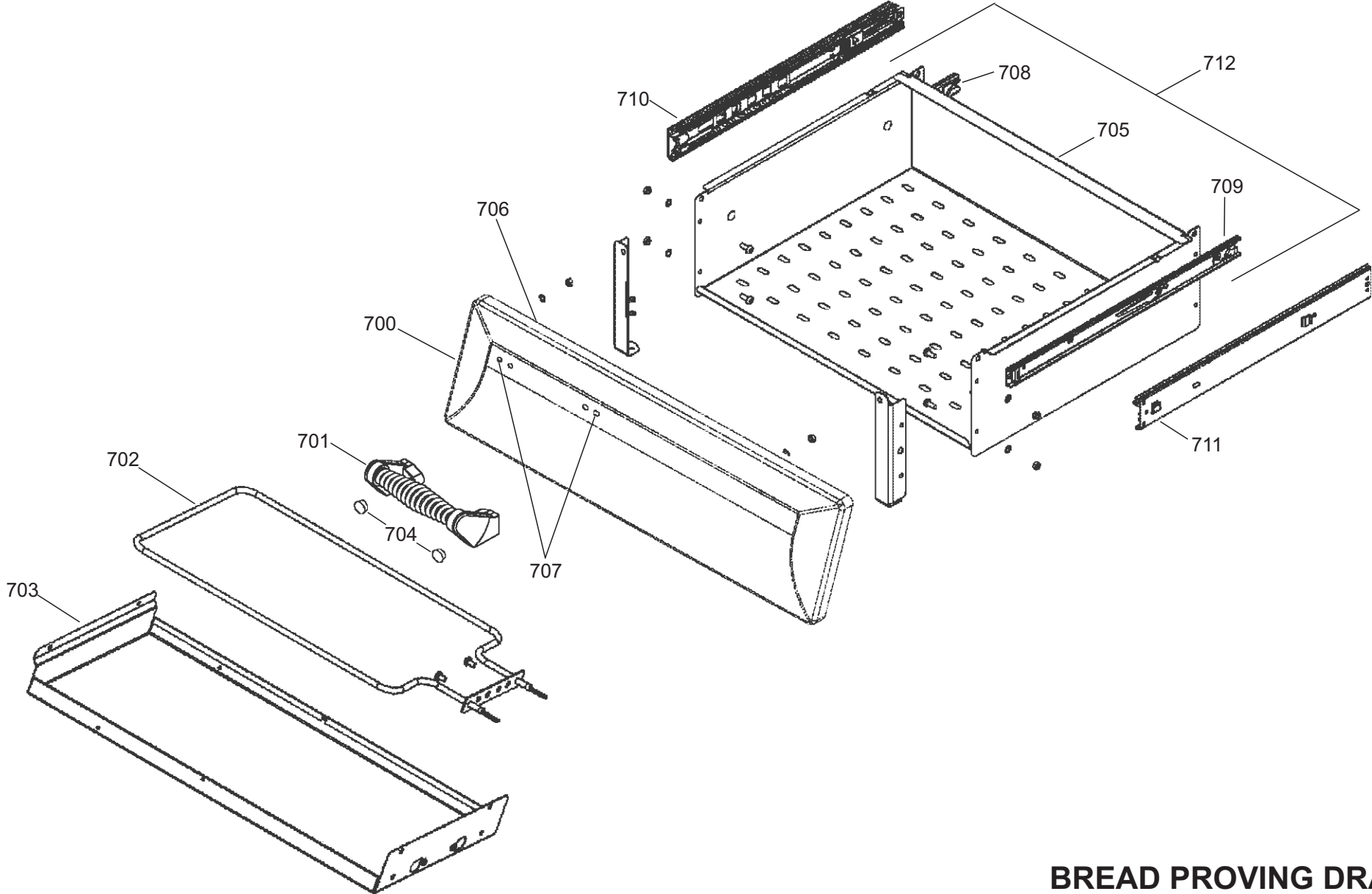
**FALCON / RANGEMASTER  
ELAN DELUXE 110 INDUCTION**

DATE: 10.12.2018

**DSL0748 P06**  
ISSUE: 01

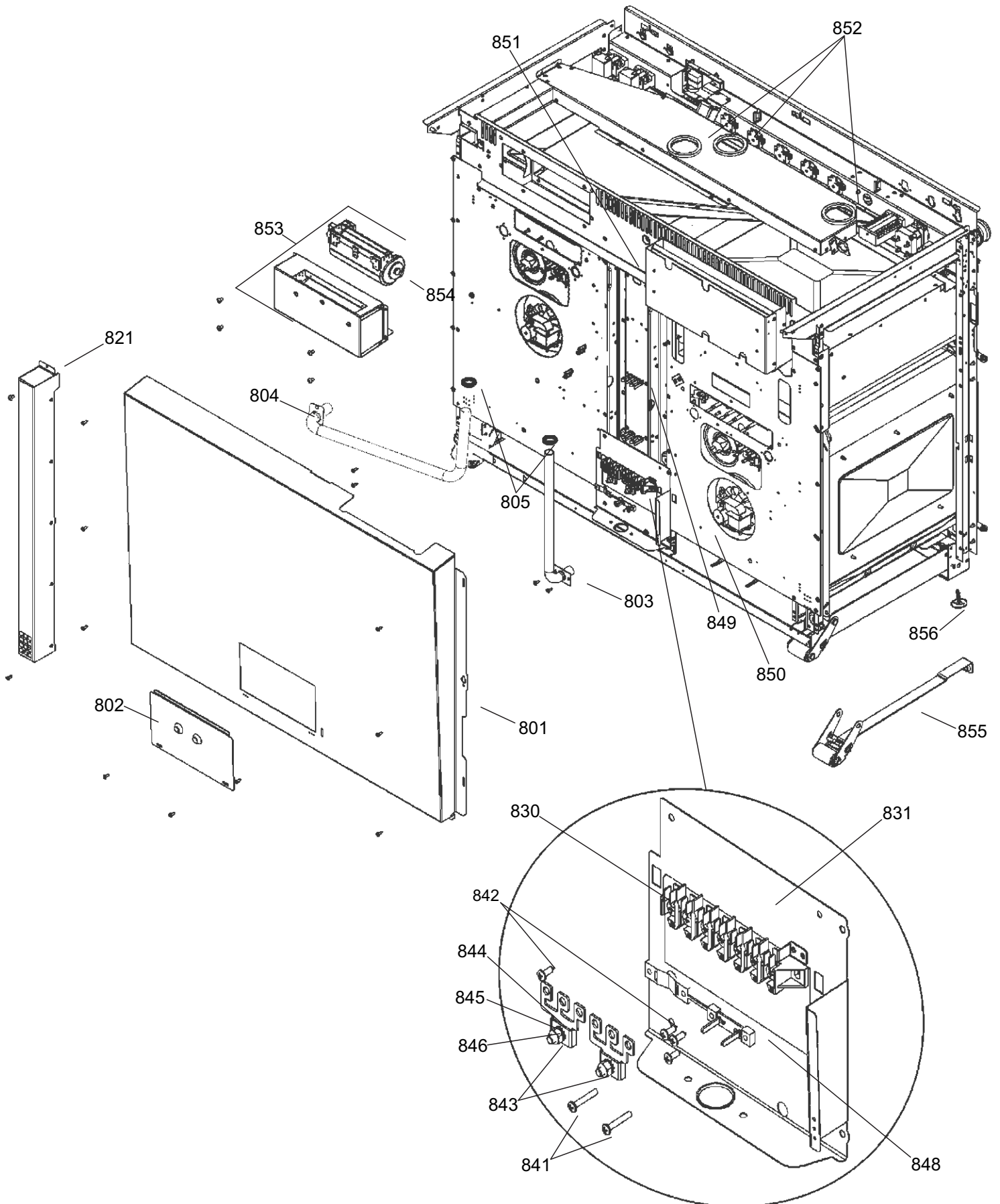


**RIGHT HAND OVEN (FANNED & LIGHT)**

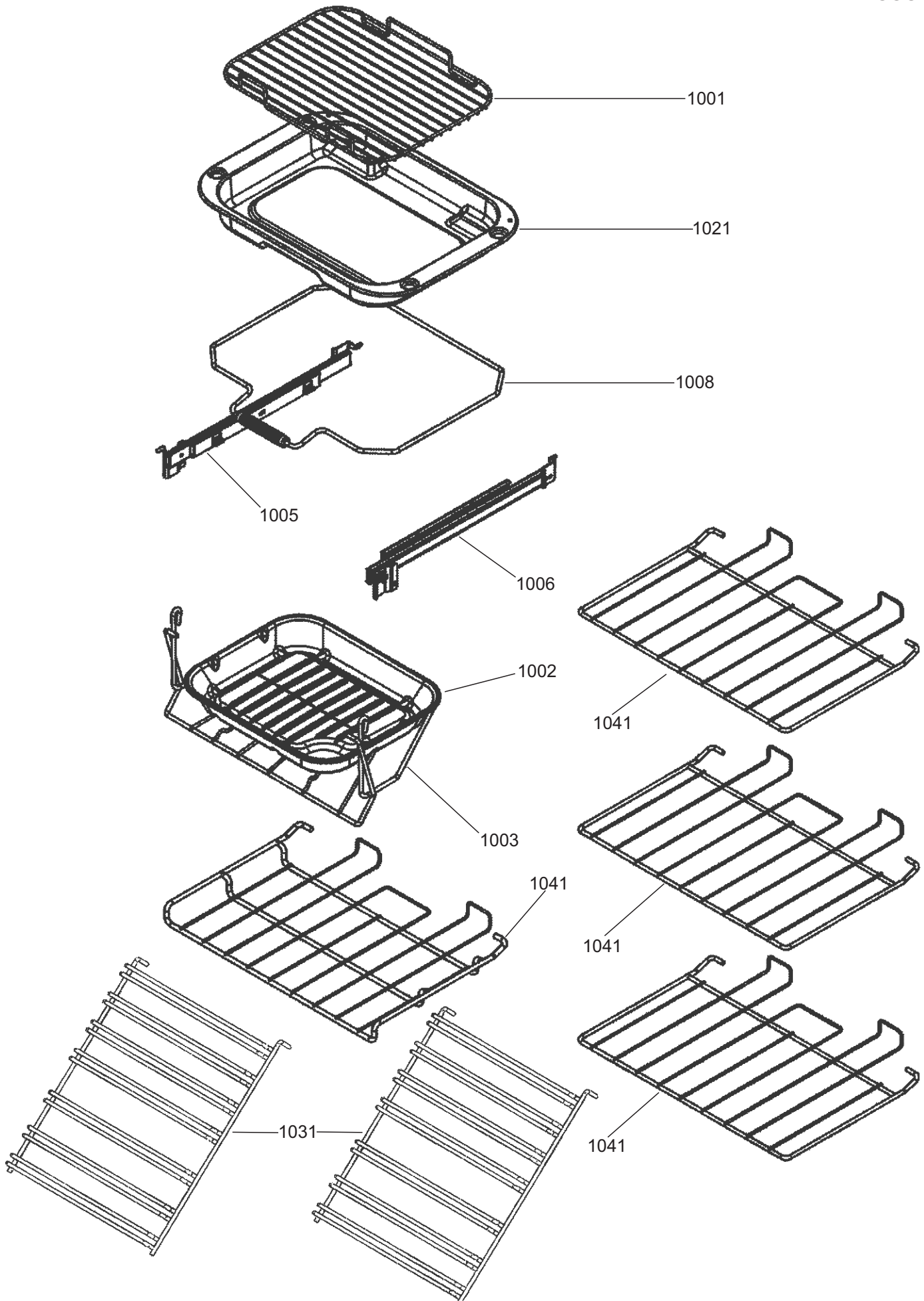


**BREAD PROVING DRAWER**





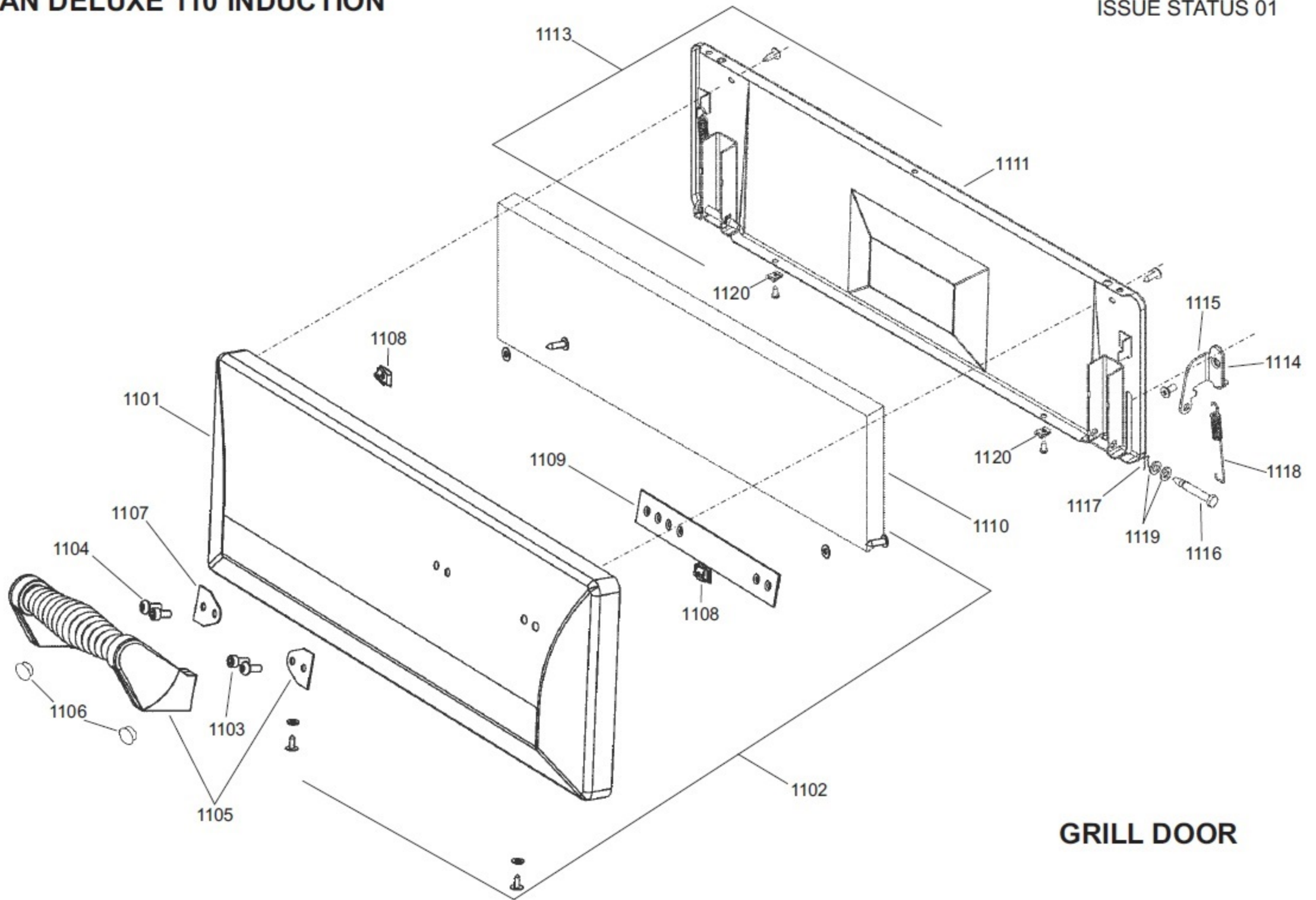
**COOKER BACK & ELECTRICAL**



**FALCON / RANGEMASTER  
ELAN DELUXE 110 INDUCTION**

DATE: 10.12.2018

**DSL0748 P11**  
ISSUE STATUS 01



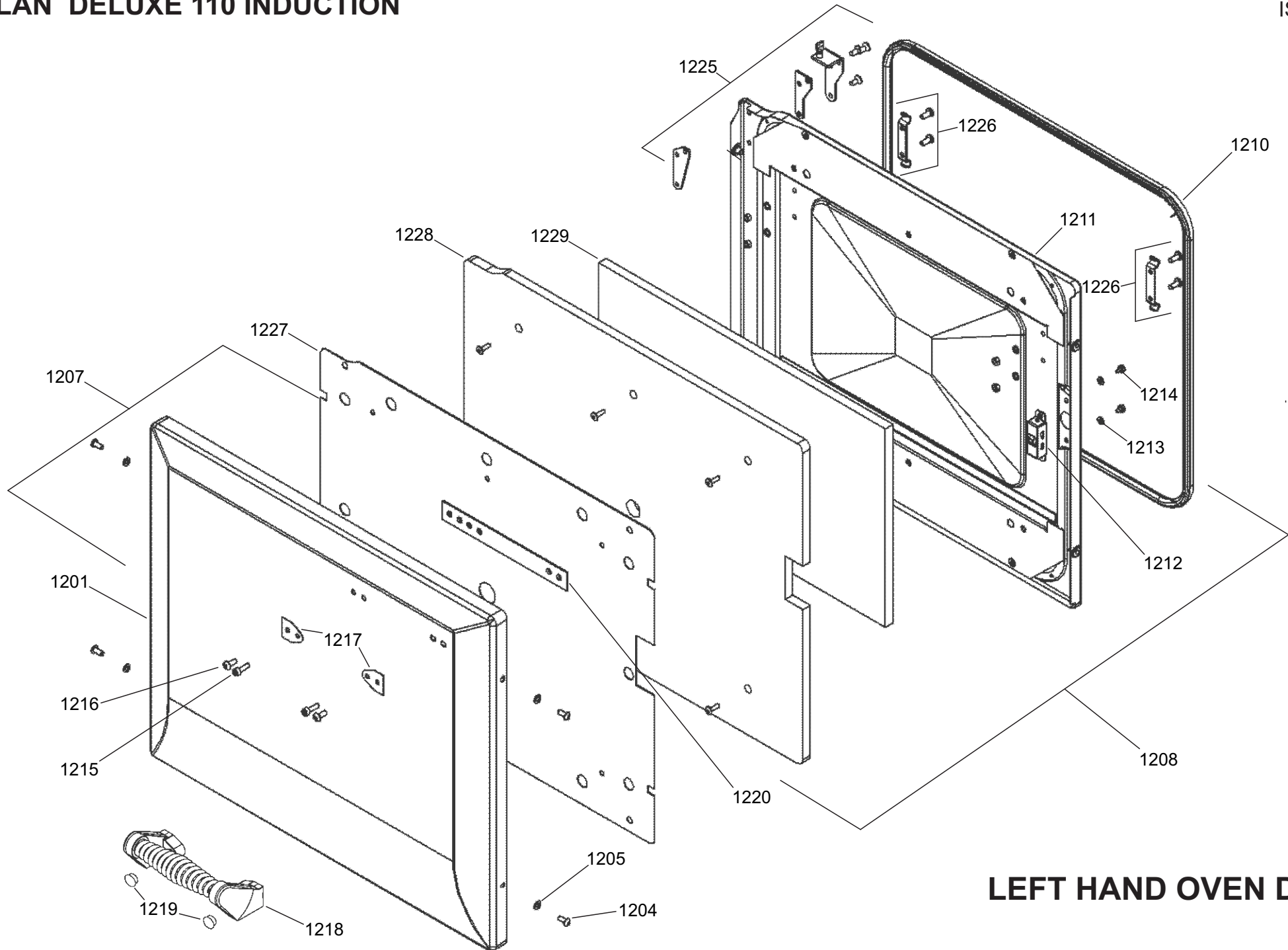
**GRILL DOOR**

**FALCON / RANGEMASTER  
ELAN DELUXE 110 INDUCTION**

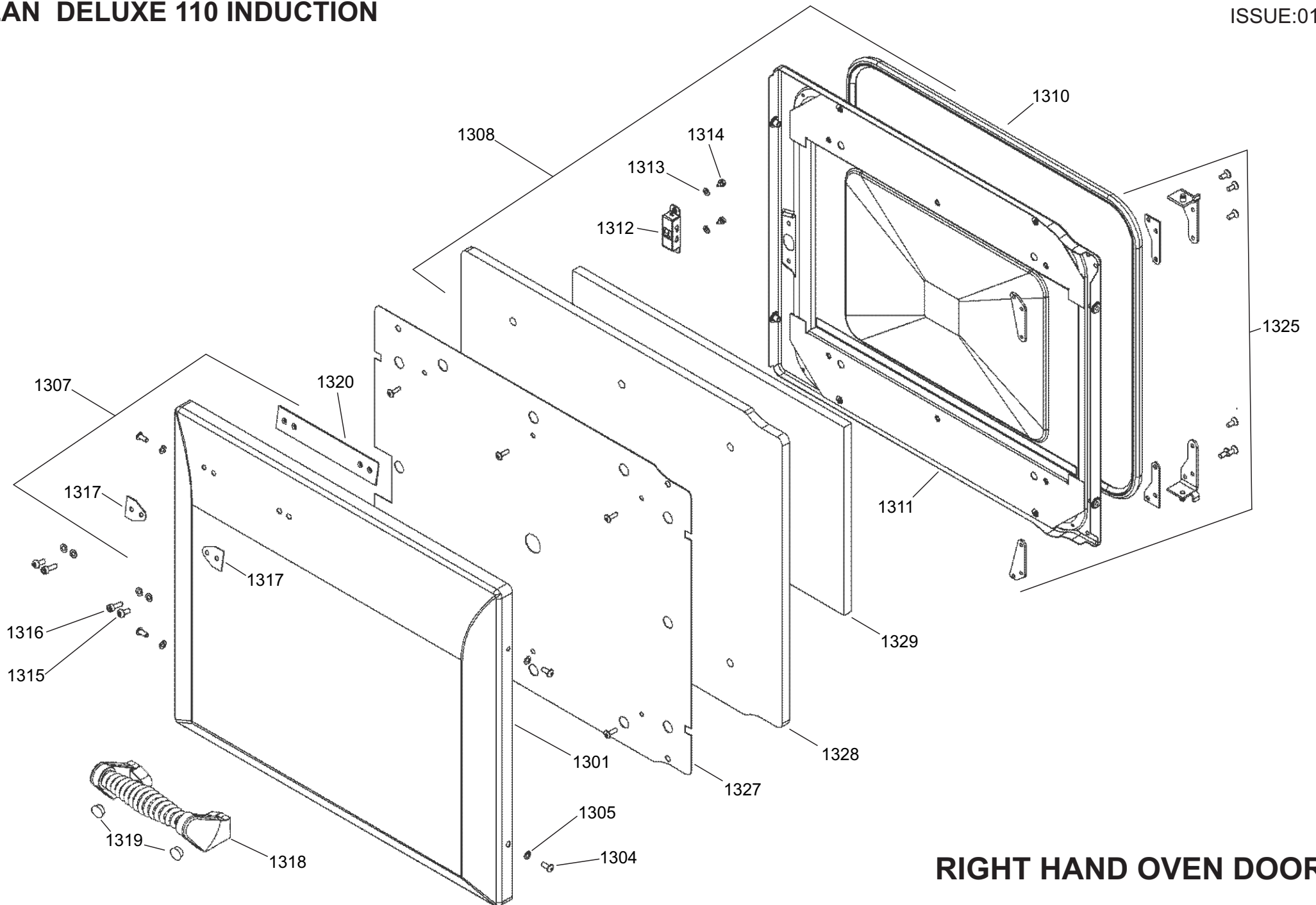
DATE: 10.12.2018

**DSL0748 P12**

ISSUE:01



**LEFT HAND OVEN DOOR**



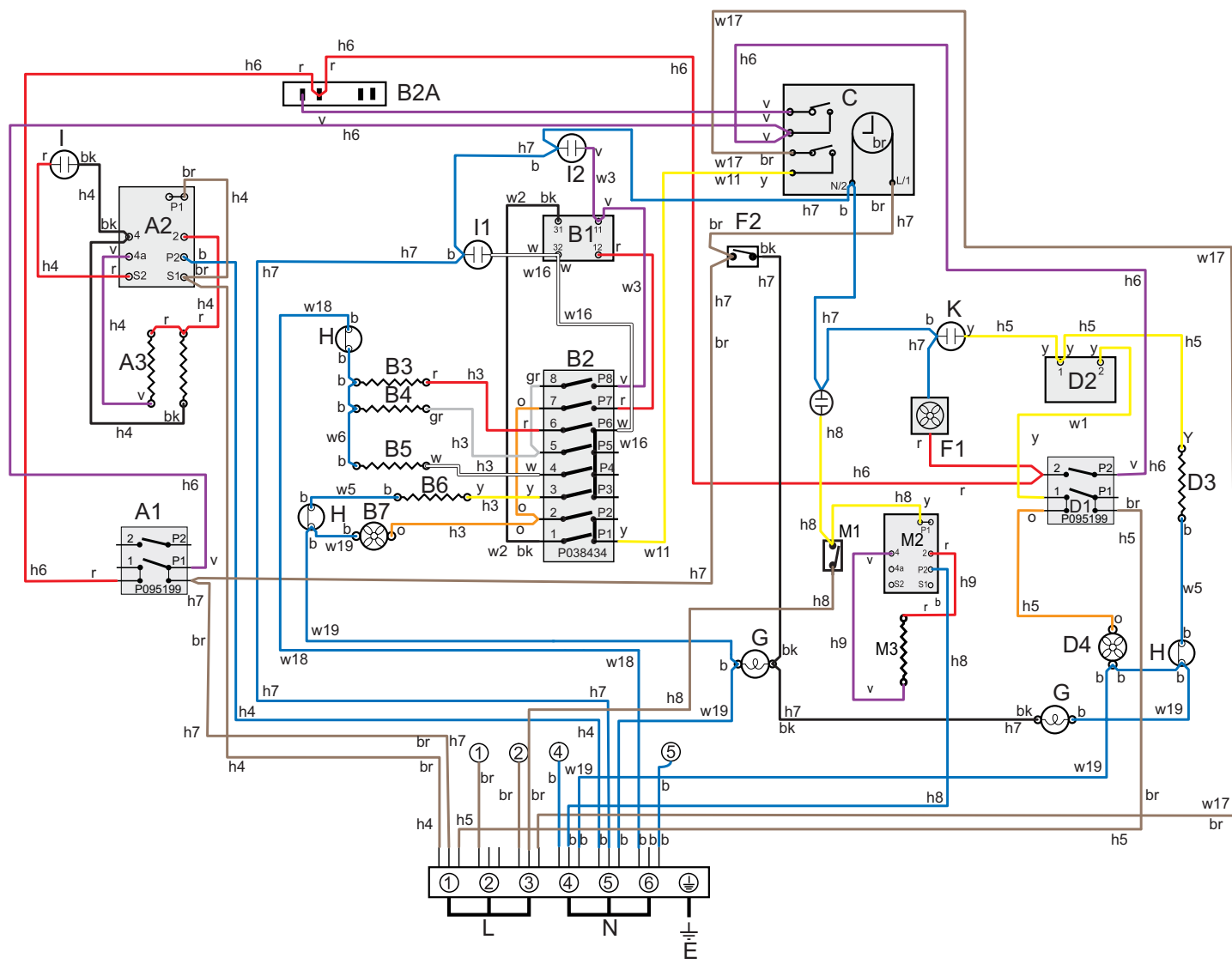
**RIGHT HAND OVEN DOOR**

# FALCON / RANGEMASTER ELAN DELUXE 110 INDUCTION

DATE: 10.12.2018

**DSL0748 P15**

ISSUE: 01

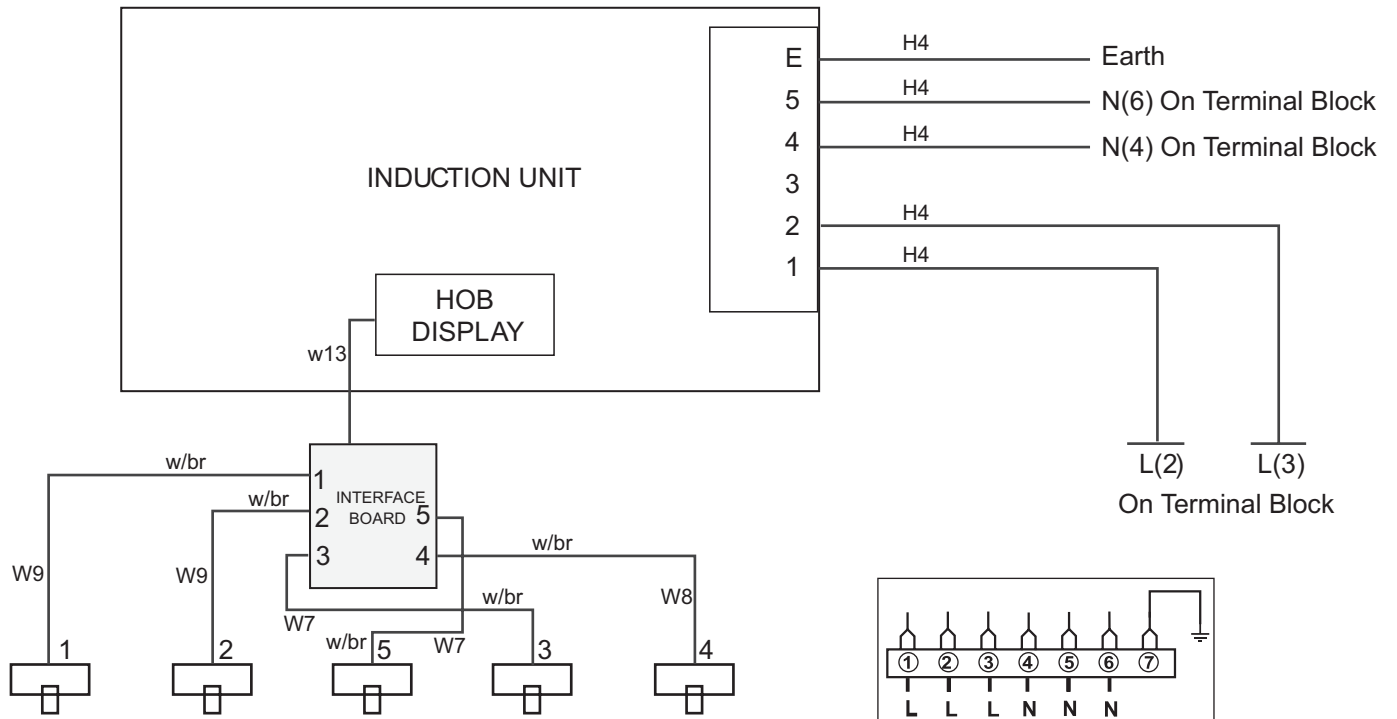


Code	Description
A1	Grill Front Switch
A2	Grill Energy Controller
A3	Grill Elements
B1	Left Hand Oven Thermostat
B2	Left Hand Oven Control
B2a	Left Hand Oven Thermostat Front Switch
B3	Left Hand Oven Base Element
B4	Left Hand Oven Top Element Outer Pair
B5	Left Hand Oven Top Element Inner Pair
B6	Left Hand Oven Fan Element
B7	Left Hand Oven Fan
C	Clock / Timer
D1	Right Hand Fan oven Control
D2	Right Hand Fan Oven Thermostat
D3	Right Hand Fan Oven Element
D4	Right Hand Fan Oven Fan
F1	Cooling Fan
F2	Oven Light Switch
G	Oven Light(s)
H	Thermal Cut-Out
I	Grill Neon
I1	Left Hand Oven Neon
I2	Rapid Heat Neon
K	Right Hand Oven Neon
M1	Proving Drawer Switch
M2	Proving Drawer Energy Regulator
M3	Proving Drawer Element

Code	Description
b	Blue
br	Brown
bk	Black
or	Orange
r	Red
v	Violet
w	White
y	Yellow
g/y	Green / Yellow

## WIRING

## Hob Unit



The connections shown in the circuit diagram are for single - phase. The ratings are for 230V 50Hz.

### KEY

Code	Description
1	Left-hand front element
2	Left-hand rear element
3	Right-hand rear element
4	Right-hand front element
5	Centre element

Code	Colour
w/br	White/brown

## WIRING DIAGRAM