

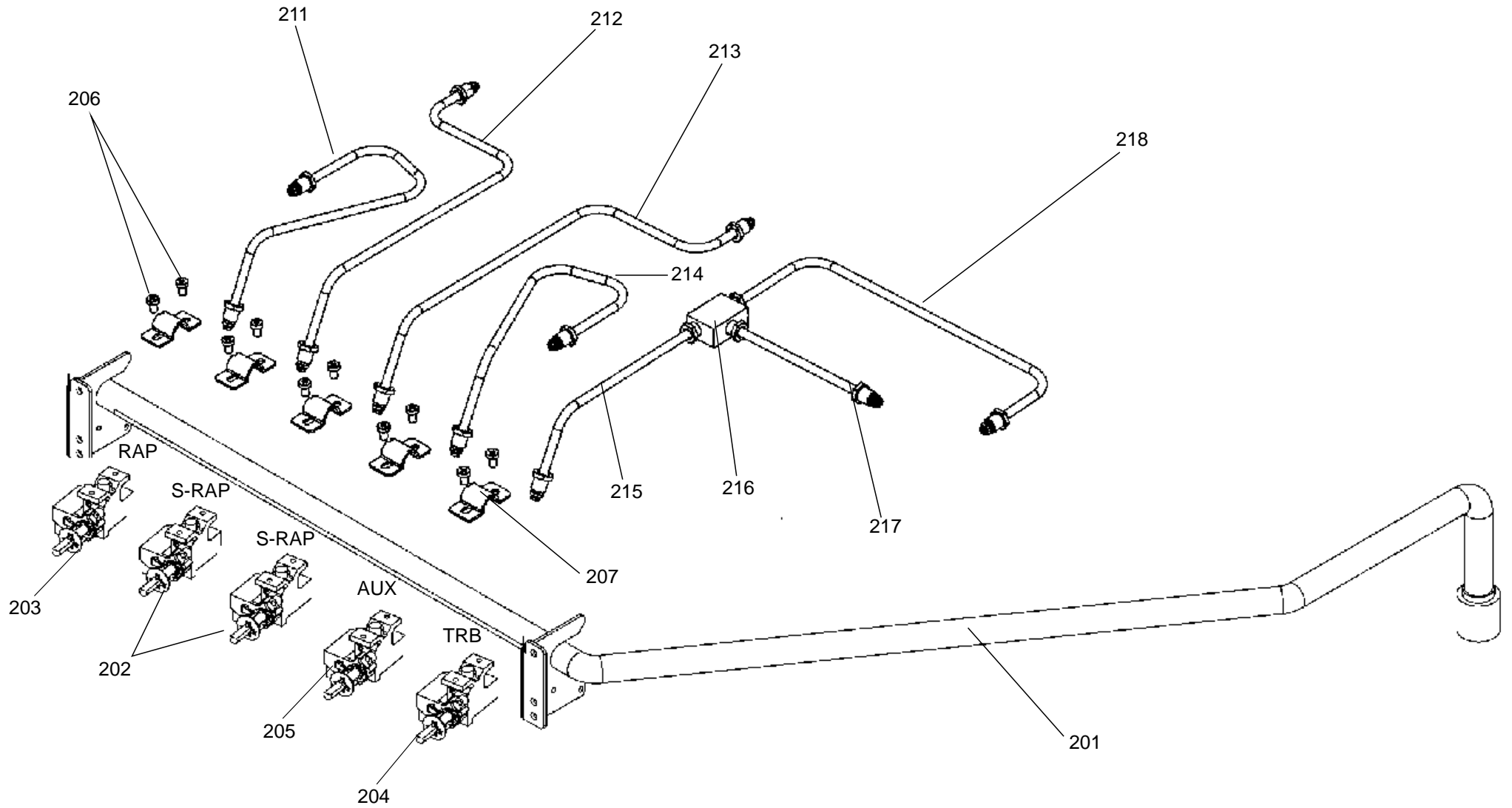
**FALCON / RANGEMASTER
ELAN DELUXE 110 DUAL FUEL**

DATE: 12.03.2019

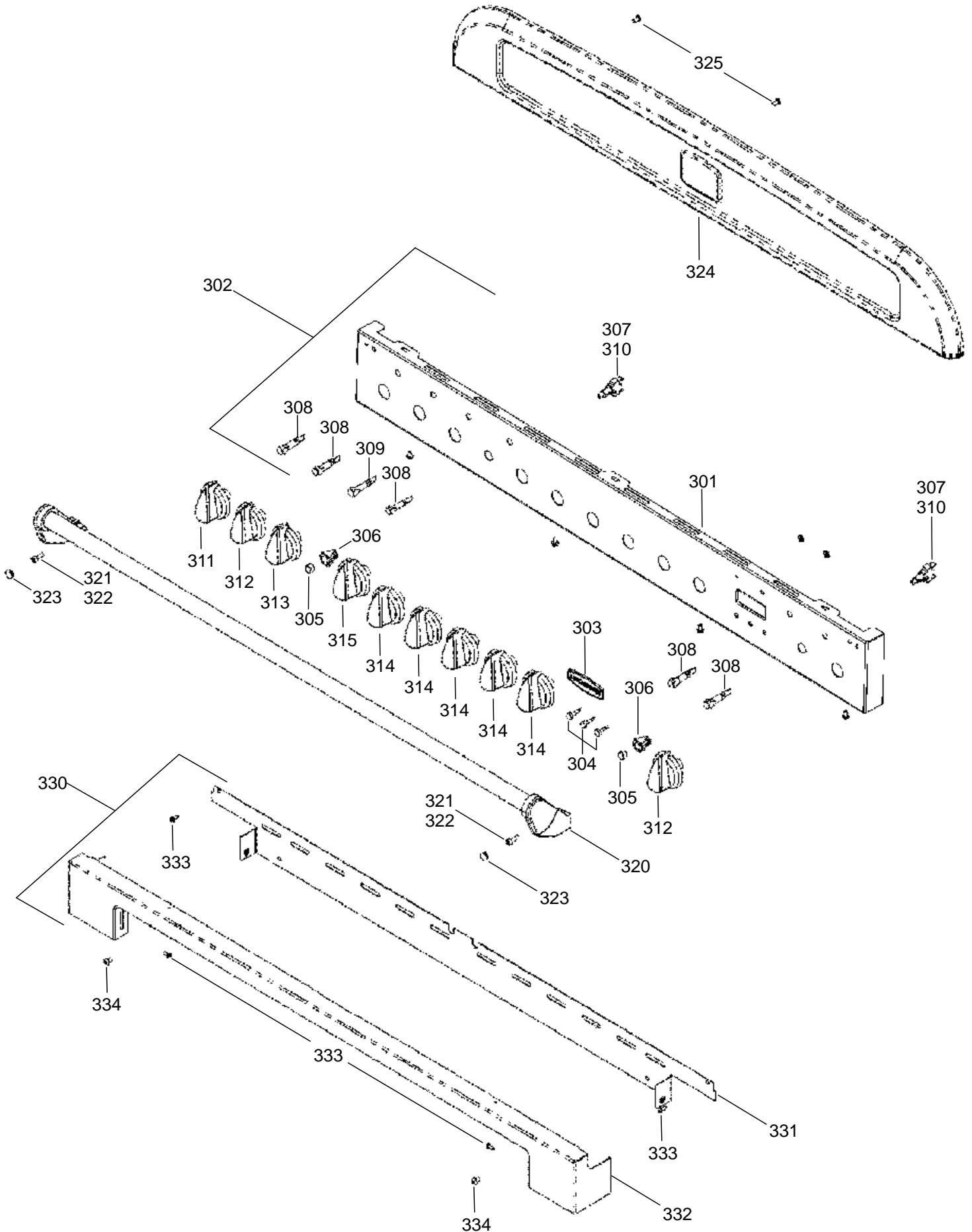
DSL0742 P00
ISSUE:01



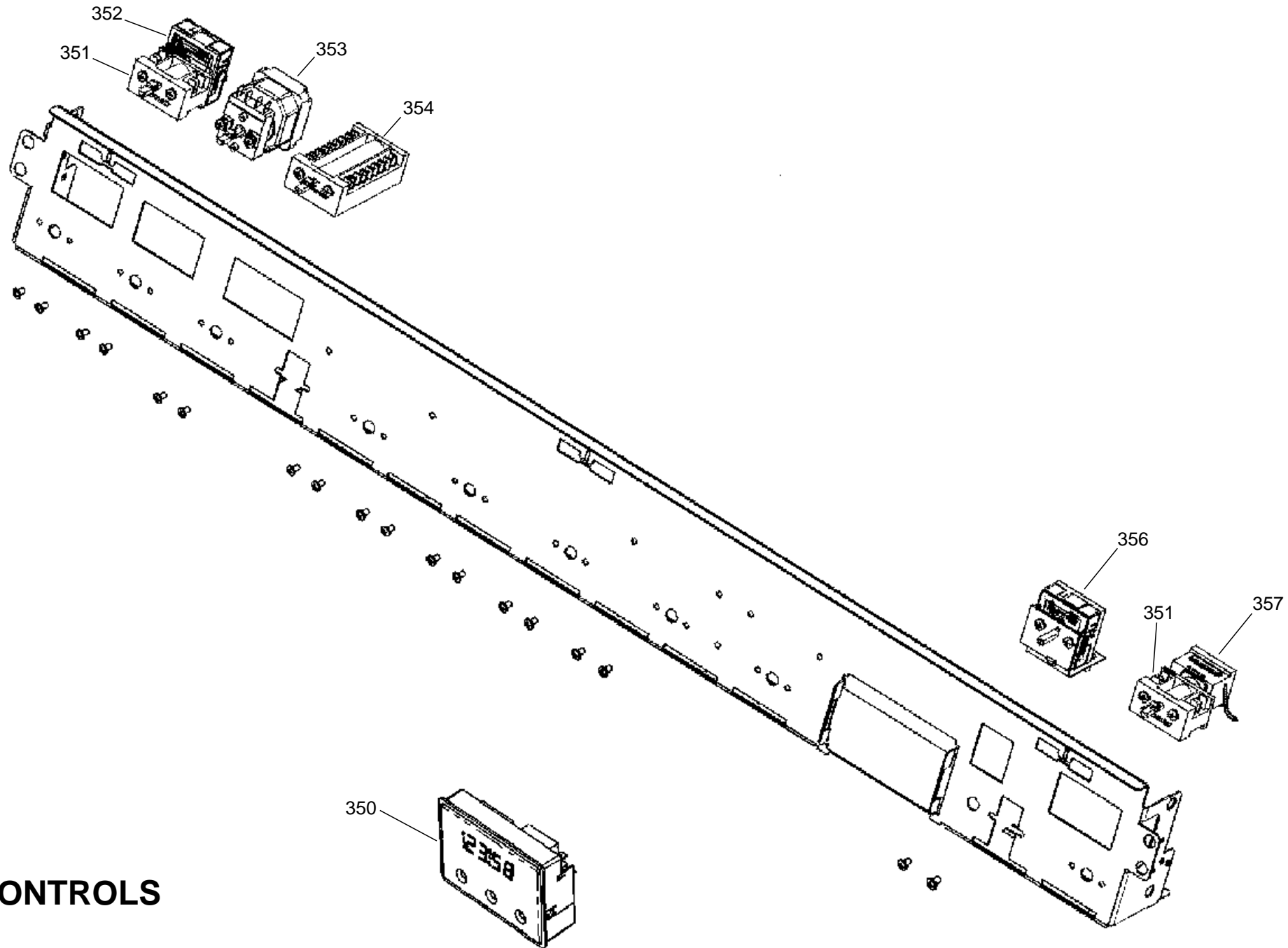
OVERALL APPLIANCE



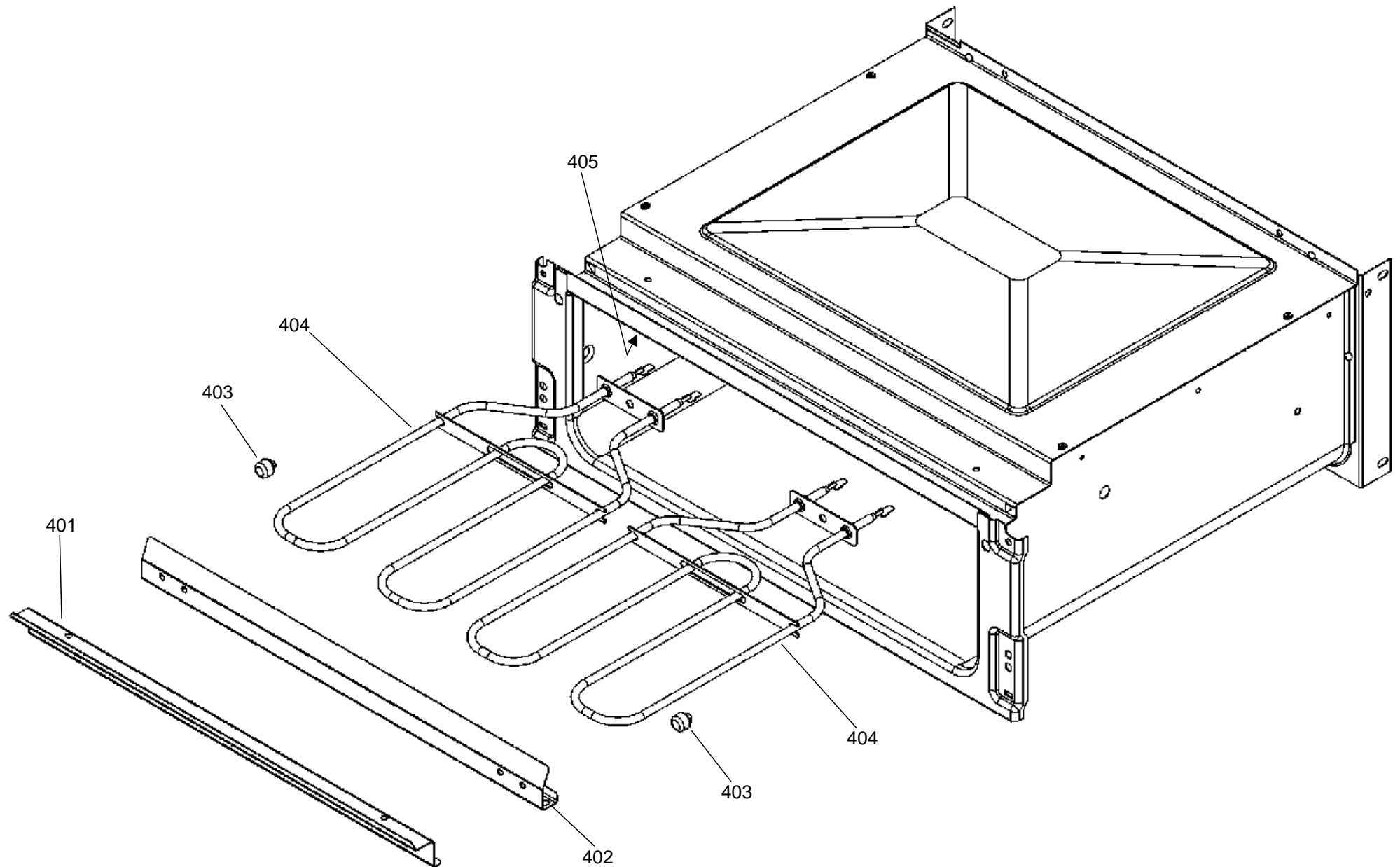
GAS RAIL BURNERS INJECTORS AND PIPE ASSEMBLY



FACIA AND KNOBS ASSEMBLY



CONTROLS



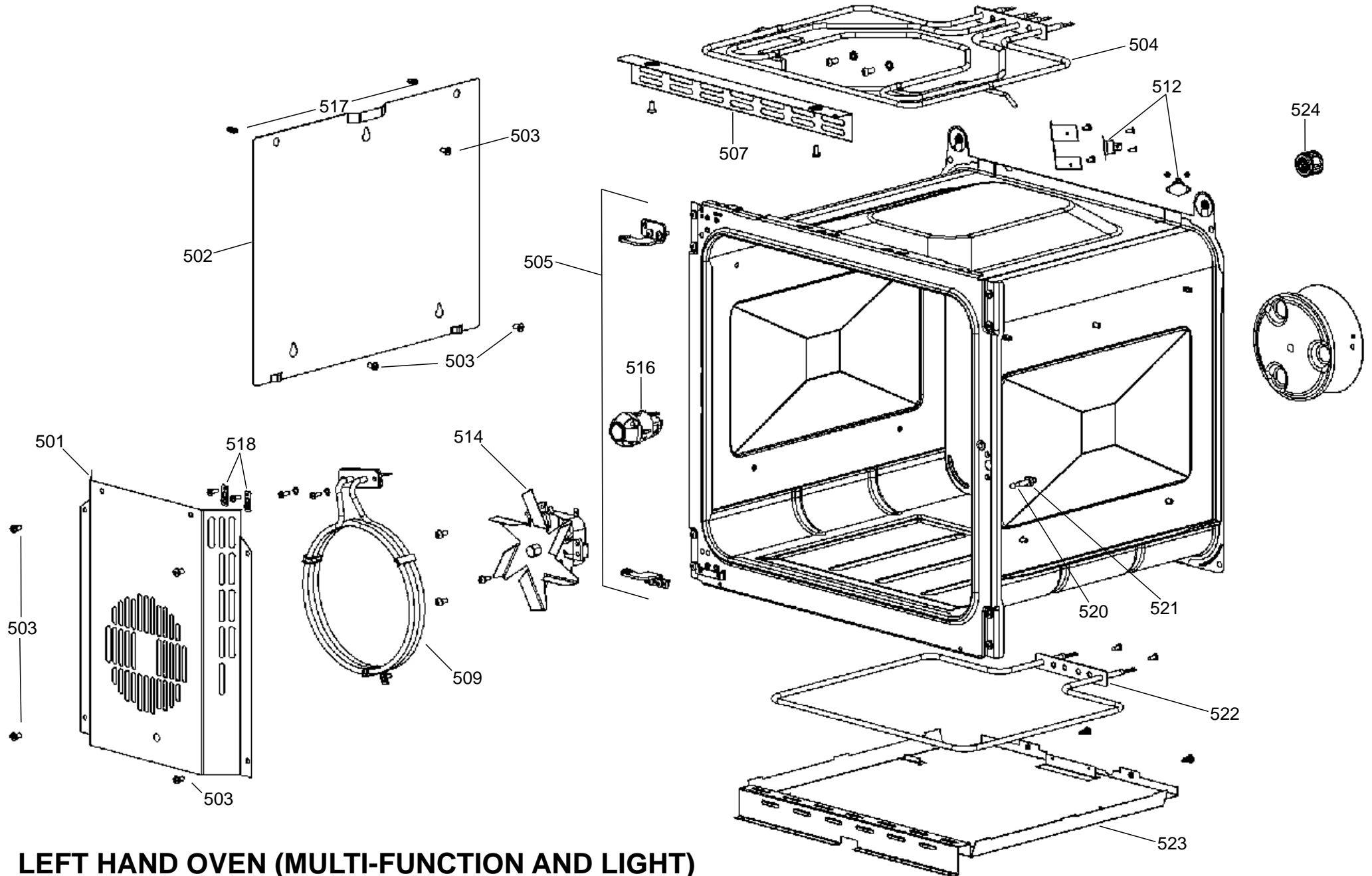
GRILL CHAMBER

**FALCON / RANGEMASTER
ELAN DELUXE 110 DUAL FUEL**

DATE: 12.03.2019

DSL0742 P05

ISSUE:01

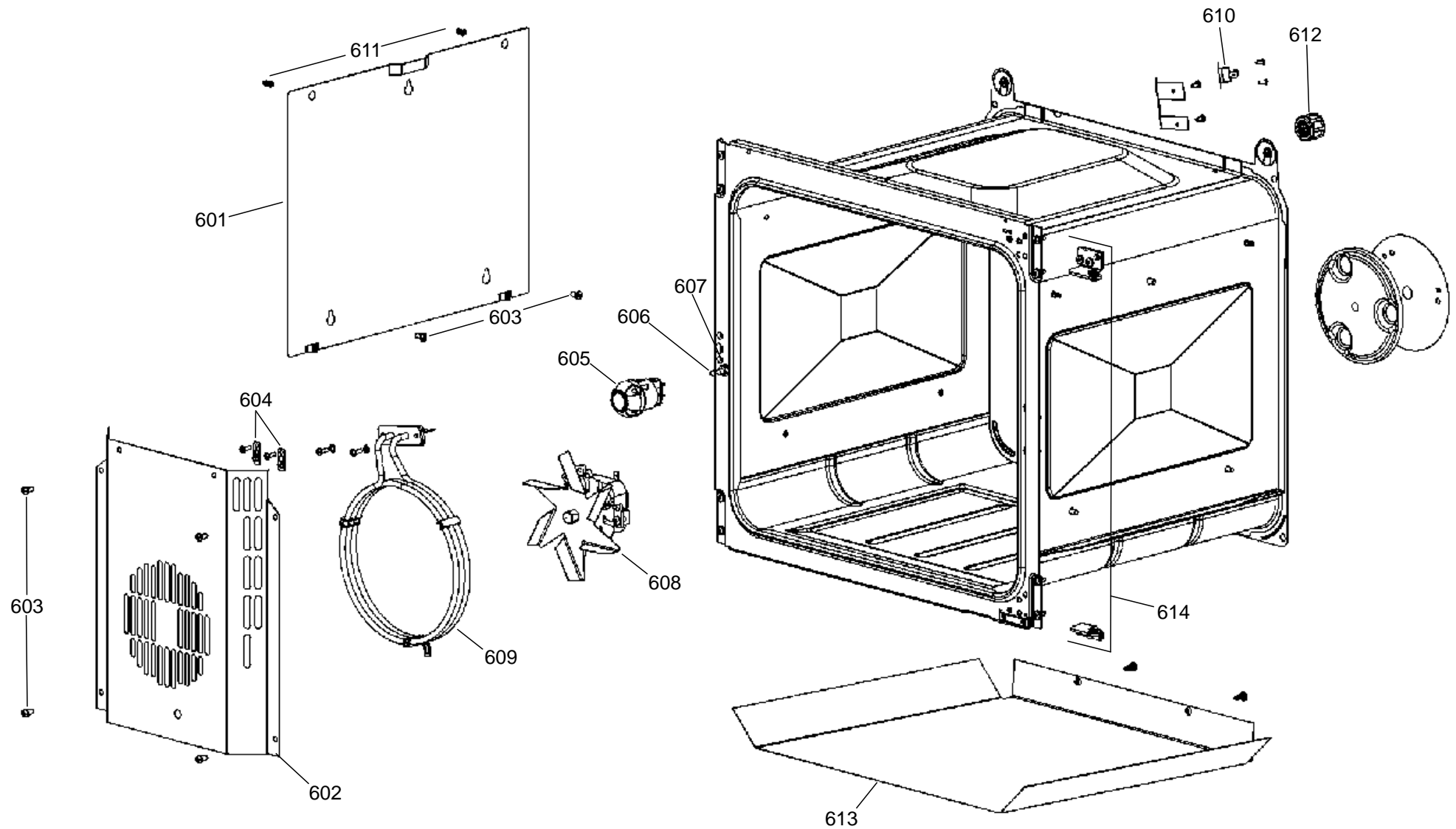


LEFT HAND OVEN (MULTI-FUNCTION AND LIGHT)

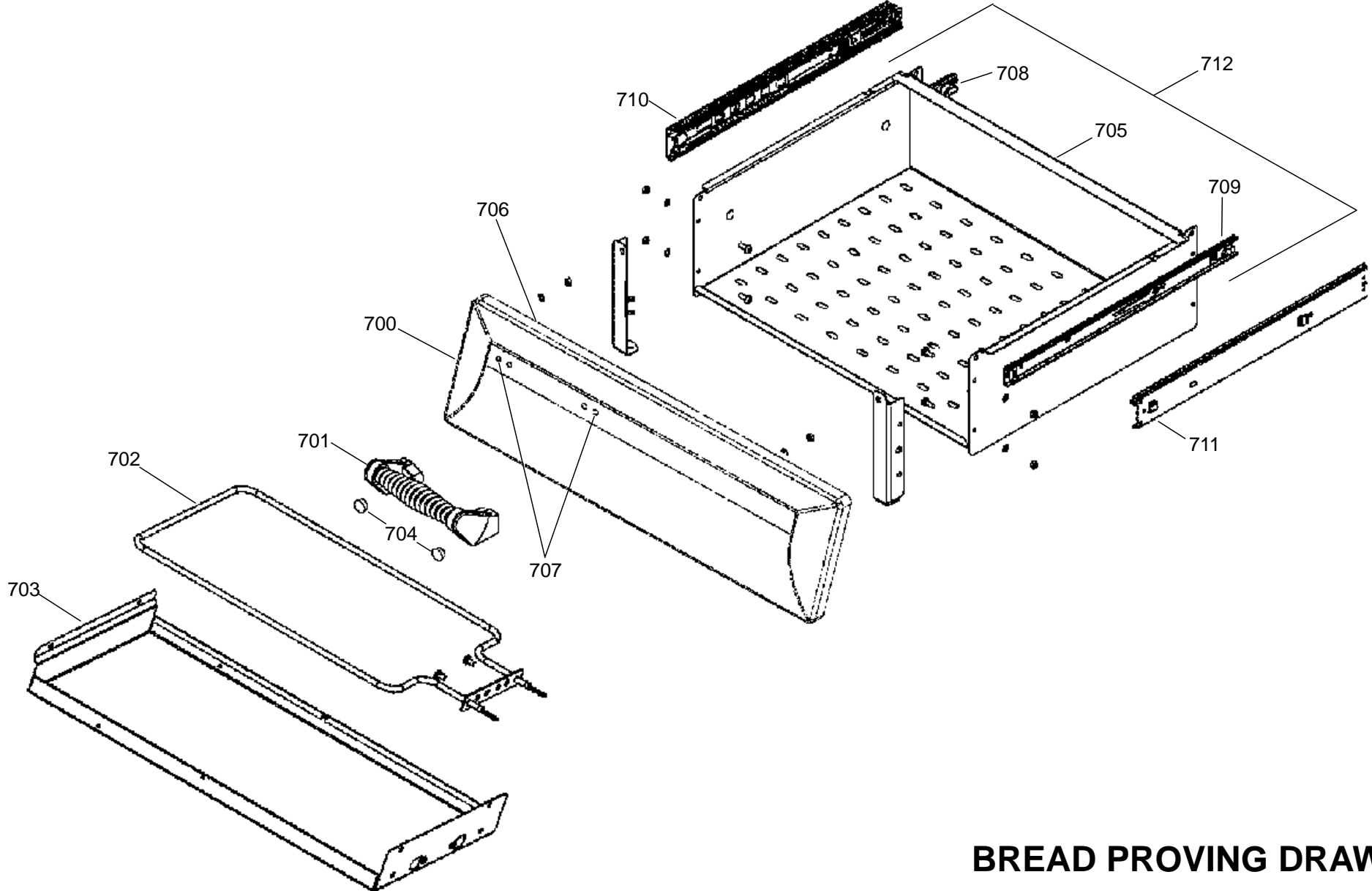
**FALCON / RANGEMASTER
ELAN DELUXE 110 DUAL FUEL**

DATE: 12.03.2019

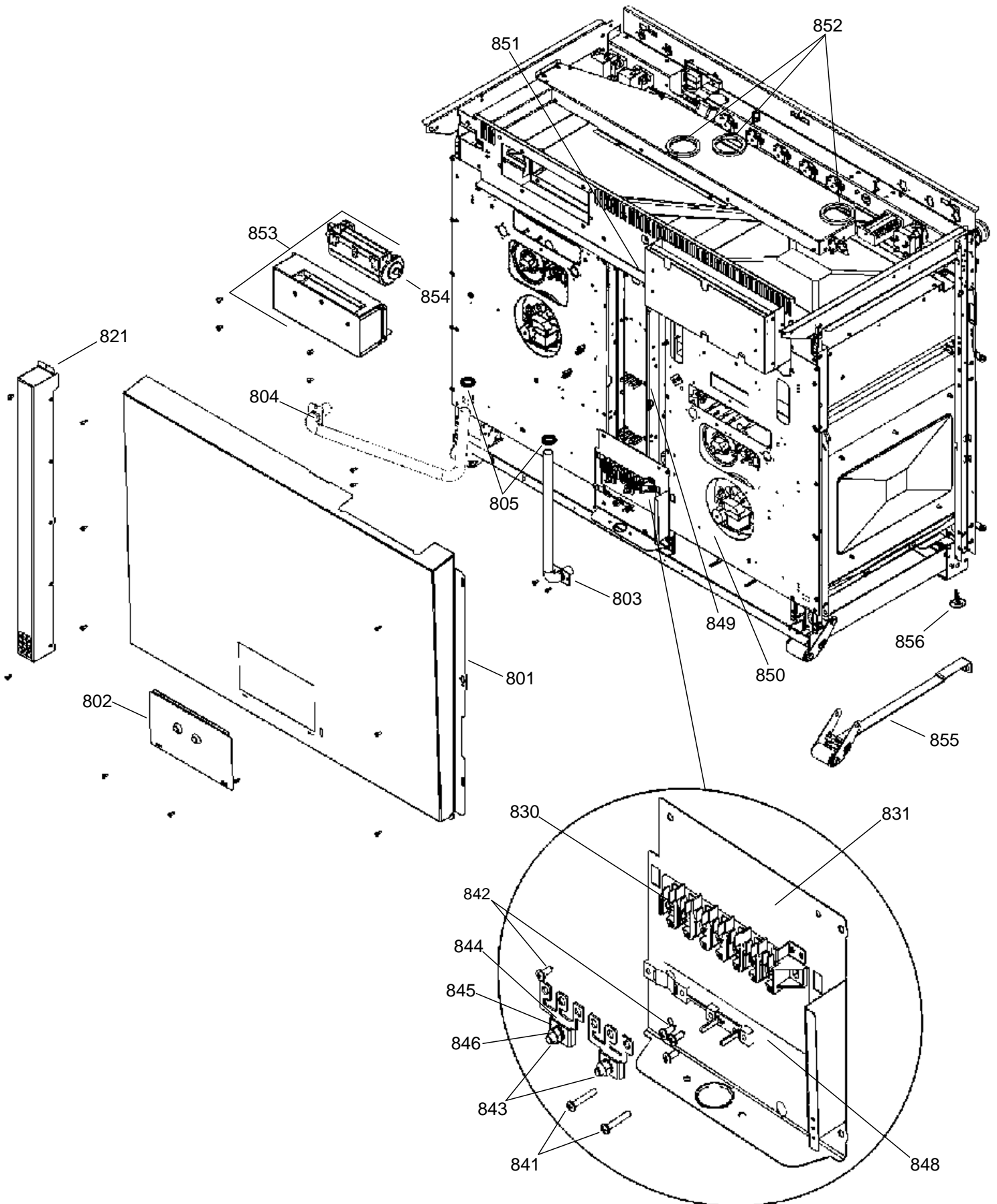
DSL0742 P06
ISSUE: 01



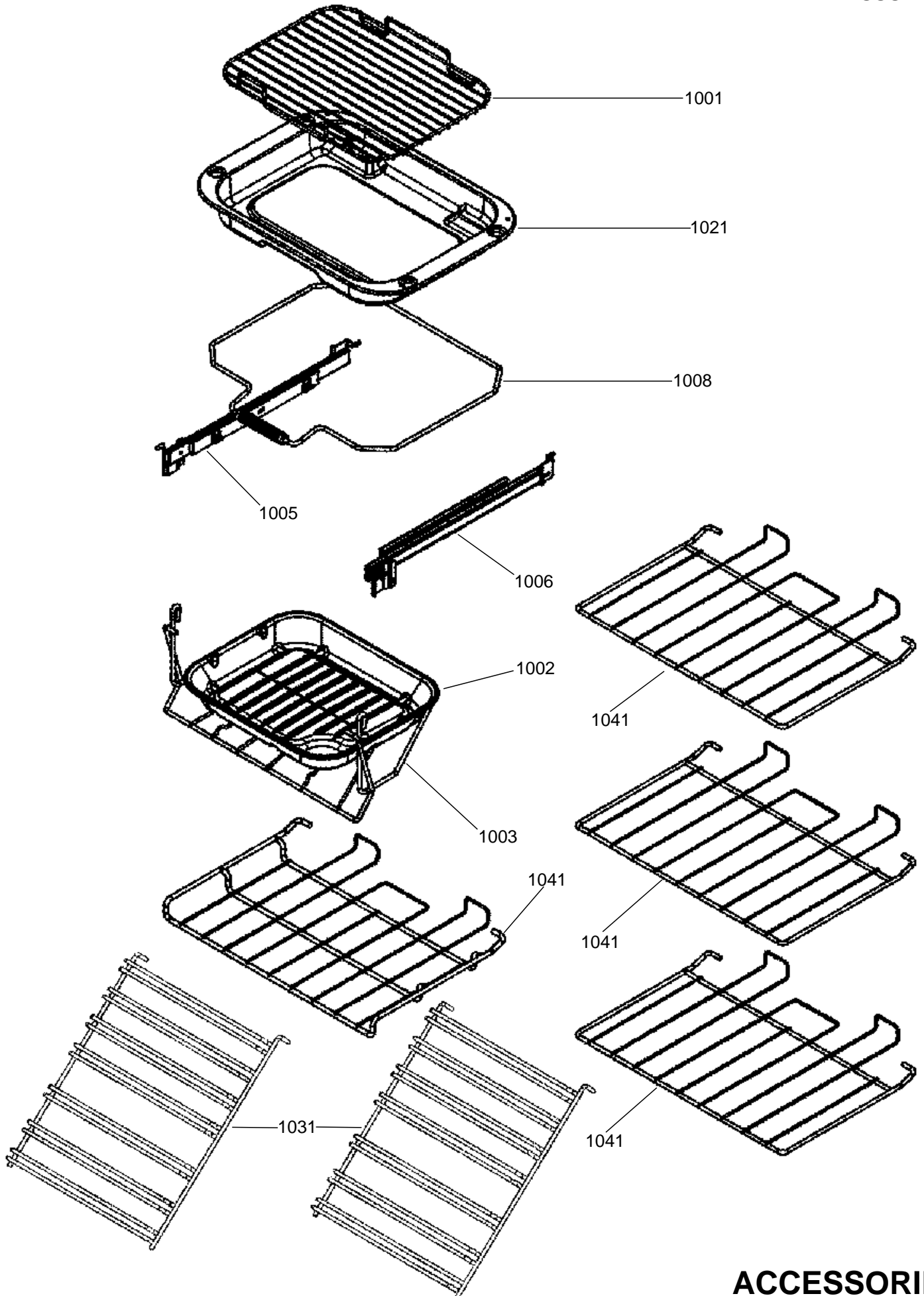
RIGHT HAND OVEN (FANNED & LIGHT)



BREAD PROVING DRAWER



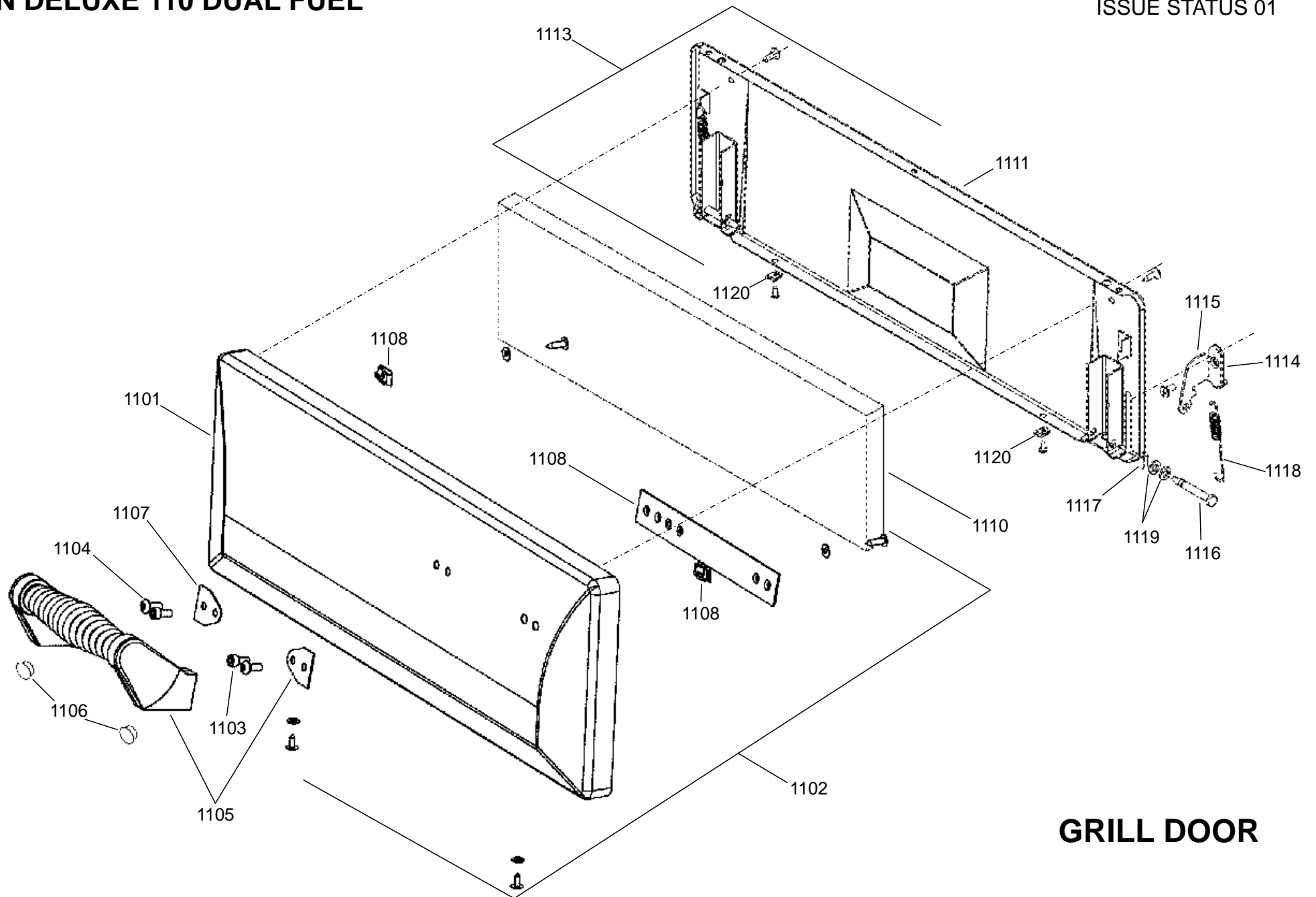
COOKER BACK AND ELECTRICAL



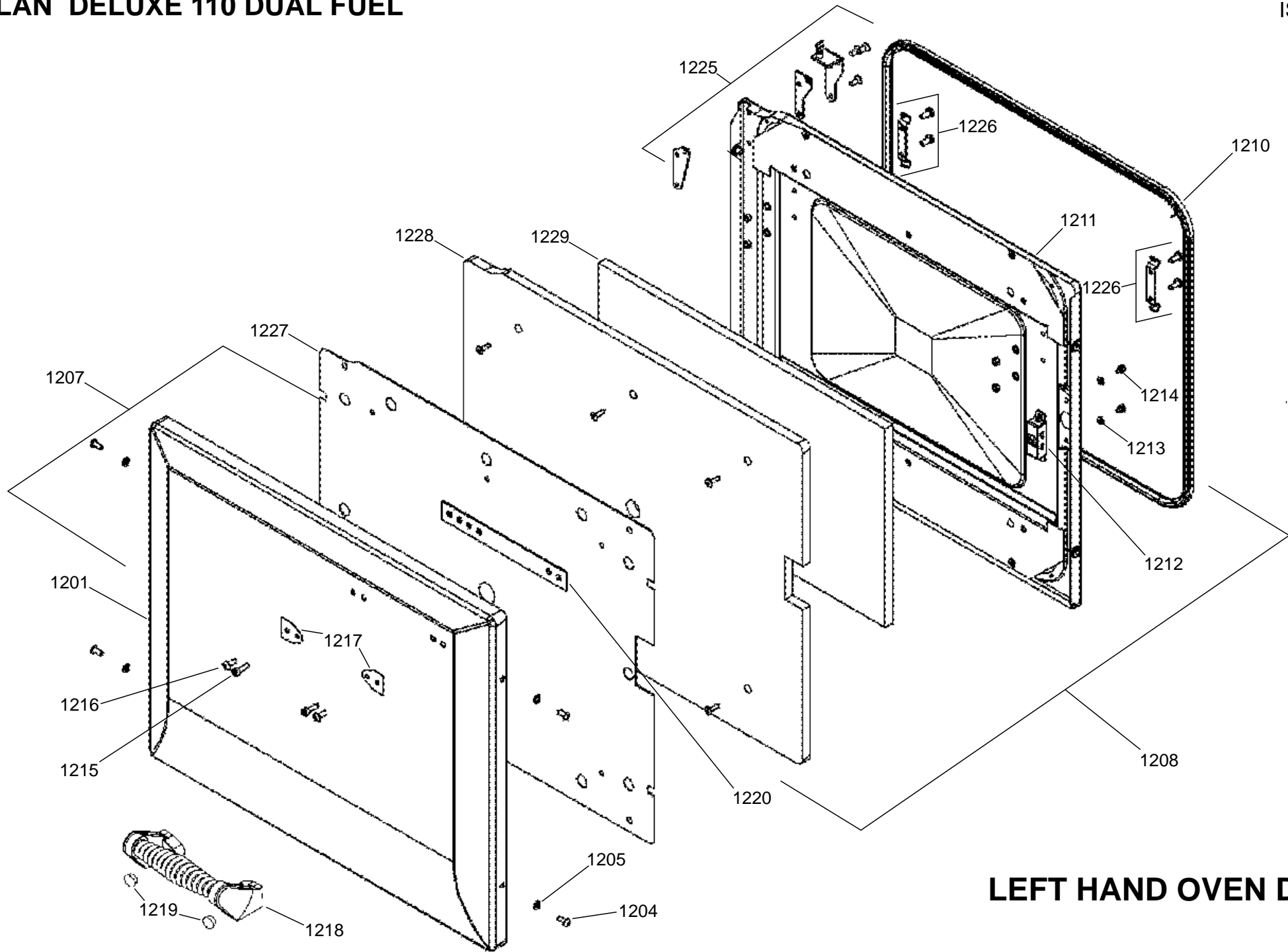
**FALCON / RANGEMASTER
ELAN DELUXE 110 DUAL FUEL**

DATE: 12.03.2019

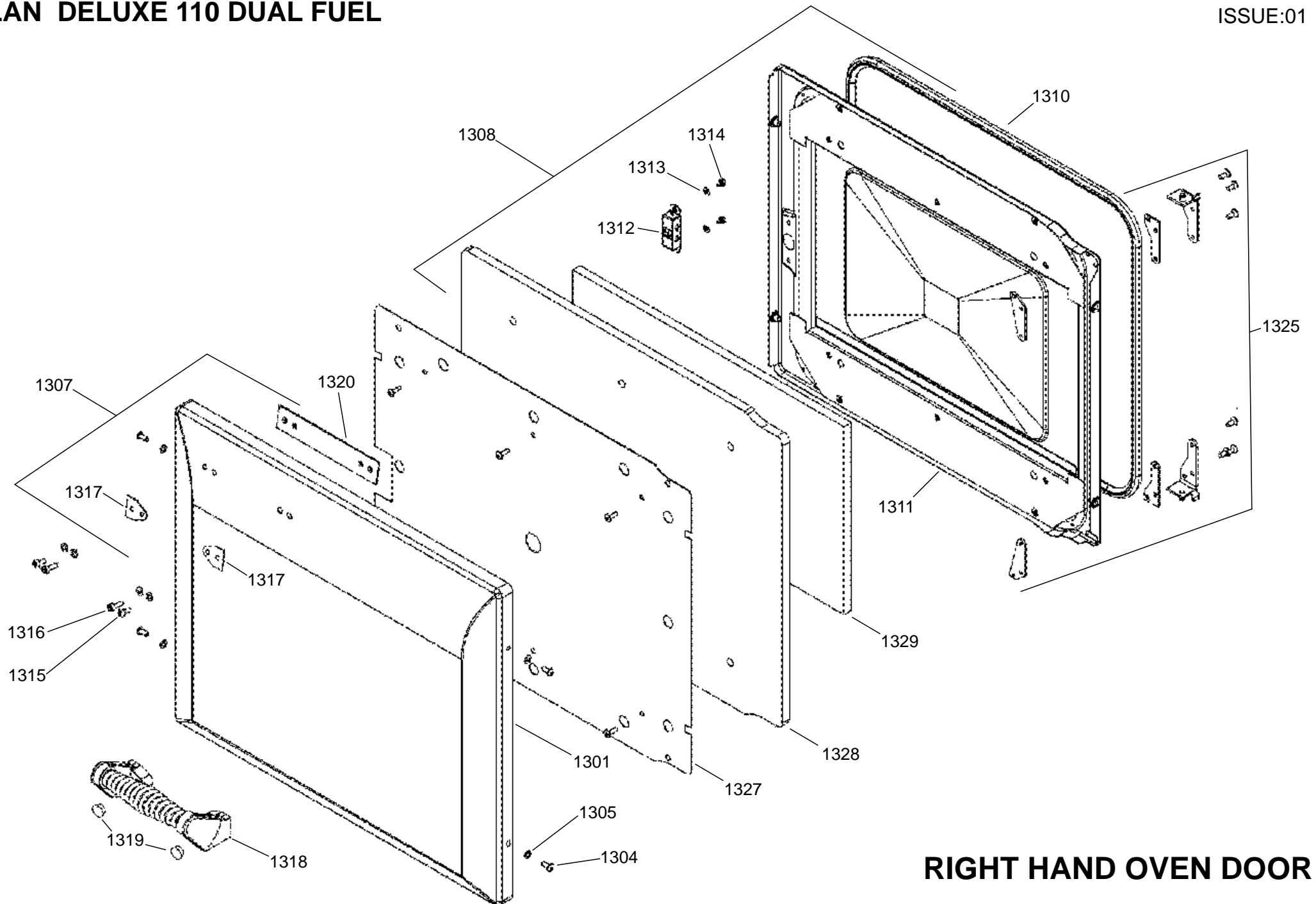
DSL0742 P11
ISSUE STATUS 01



GRILL DOOR



LEFT HAND OVEN DOOR



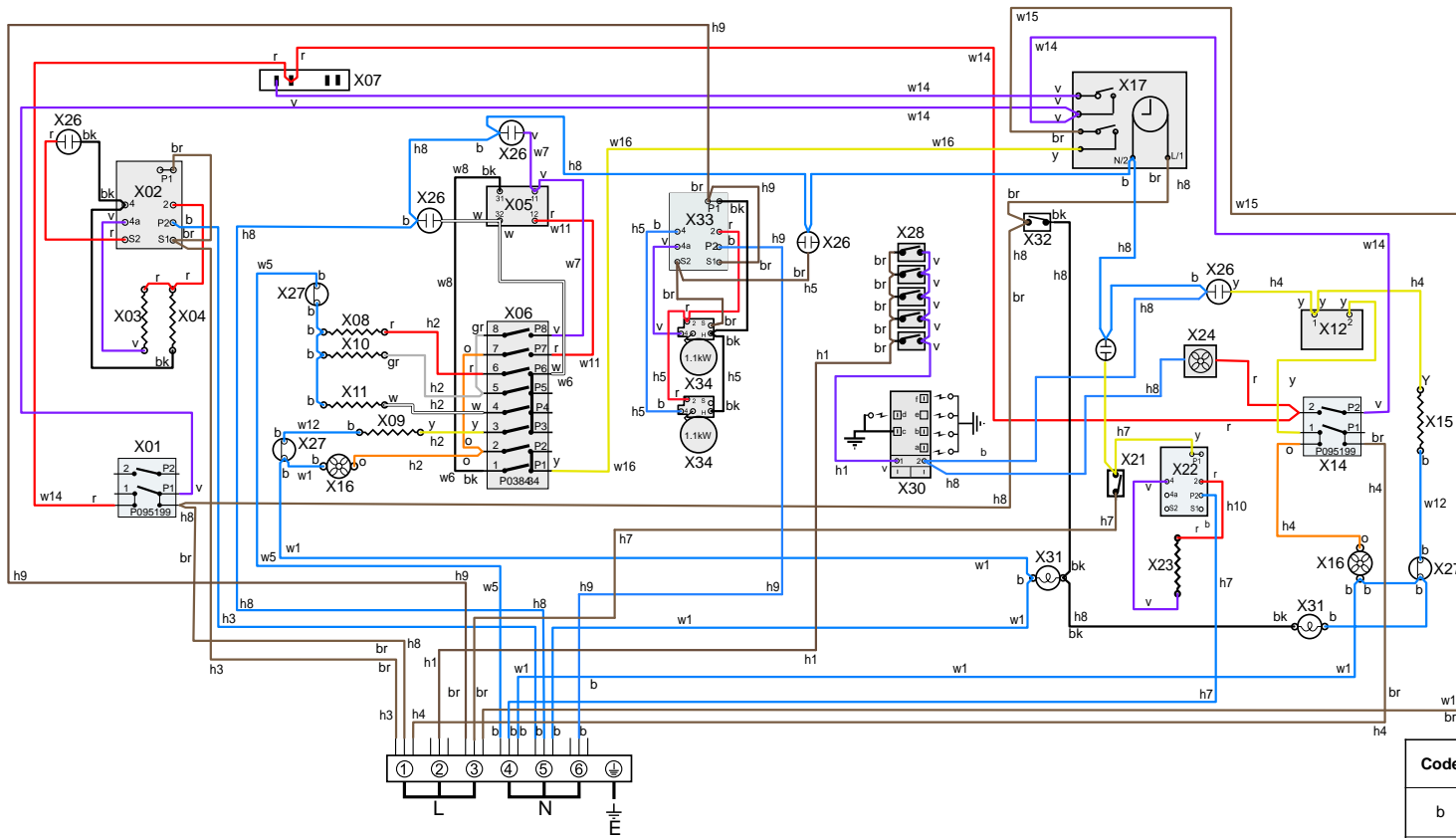
RIGHT HAND OVEN DOOR

FALCON / RANGEMASTER ELAN DELUXE 110 DUAL FUEL

DATE: 12.03.2019

ISSUE: 01

DSL0742 P15



Code	Description
X01	Grill Front Switch
X02	Grill Energy Controller
X03	Left Hand Grill Elements
X04	Right Hand Grill Elements
X05	Left Hand Oven Thermostat
X06	Left Hand Oven Switch
X07	Left Hand Oven Front Switch
X08	Left Hand Oven Base Element
X09	Left Hand Oven Fan Element
X10	Left Hand Oven Top Outer Element
X11	Left Hand Oven Top Inner Element
X12	Right Hand Oven Thermostat
X14	Right Hand Oven Front Switch
X15	Right Hand Oven Fan Element
X16	Oven Fan
X17	Clock / Timer
X21	Proving Drawer Switch
X22	Proving Drawer Energy Regulator
X23	Proving Drawer Element
X24	Cooling Fan
X26	Neon
X27	Thermal Cut-Out
X28	Ignition Switches
X30	Spark Generator
X31	Oven Light
X32	Oven Light Switch
X33	Hob Energy Regulator
X34	Hob Element

Code	Description
b	Blue
br	Brown
bk	Black
or	Orange
r	Red
v	Violet
w	White
y	Yellow
g/y	Green / Yellow

WIRING