

APPLIANCE NAME:

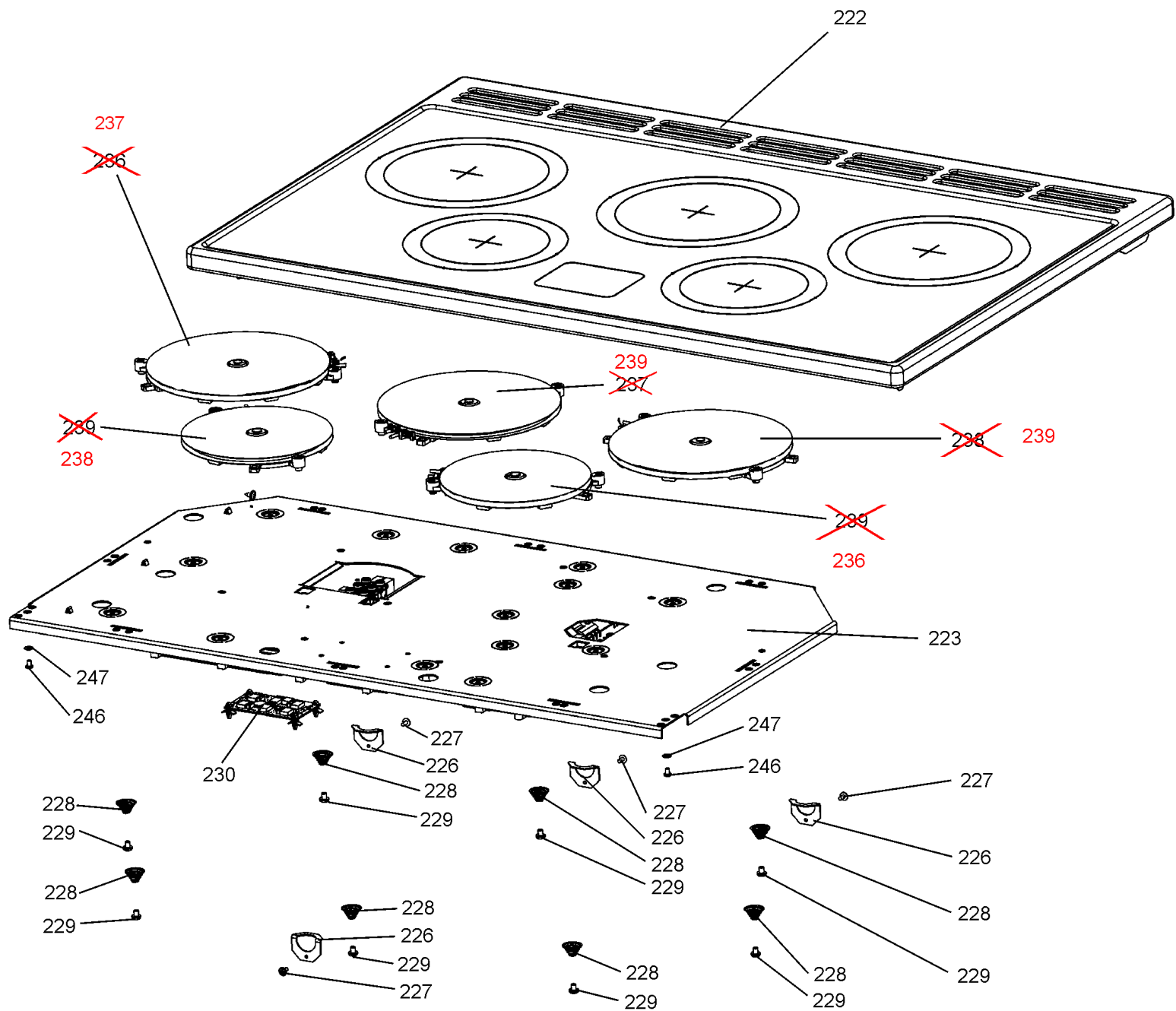
ELAN 90
INDUCTION

FROM SERIAL NUMBER 158000

DATE 17.10.11

DSL0405 P02A

ISSUE STATUS 01

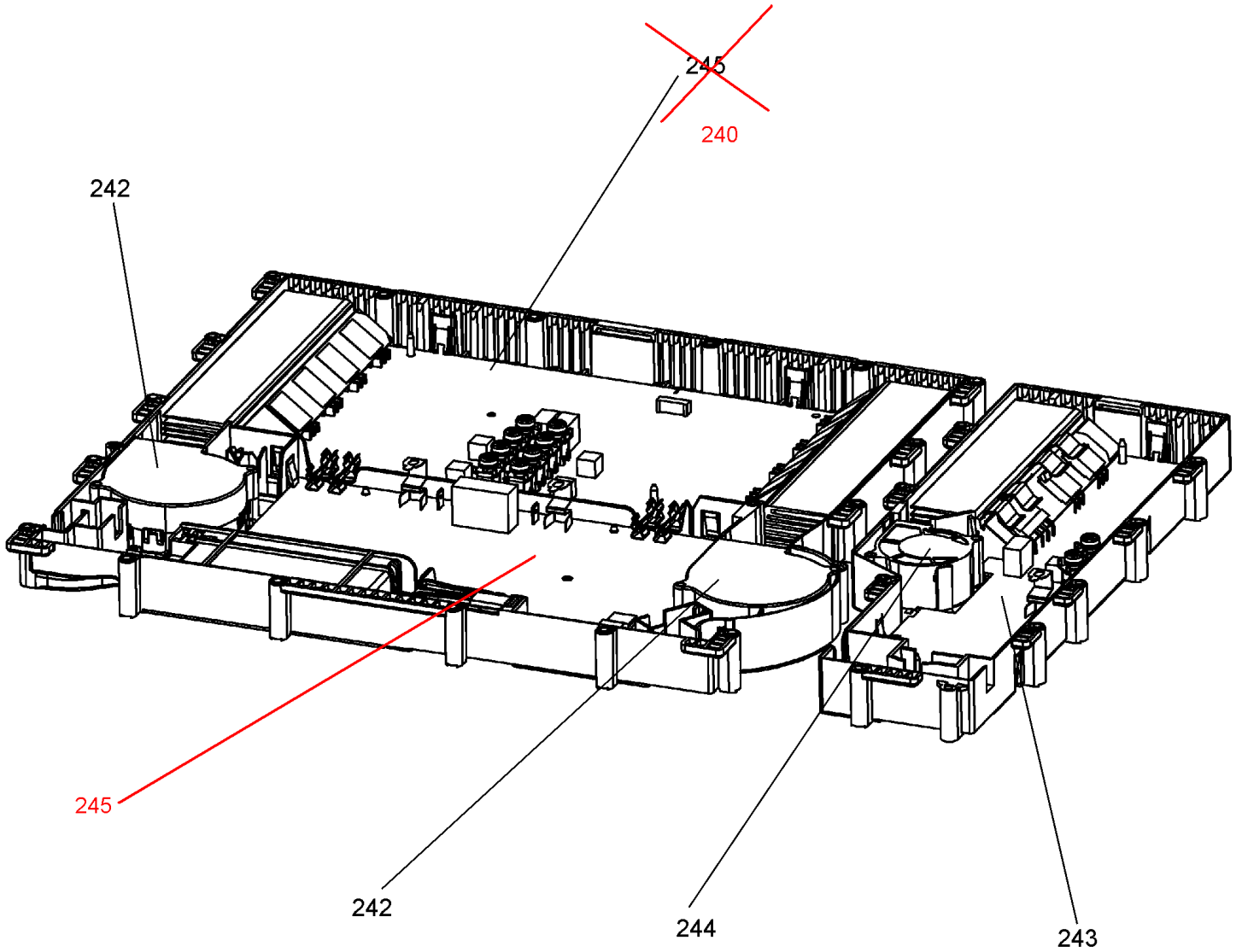


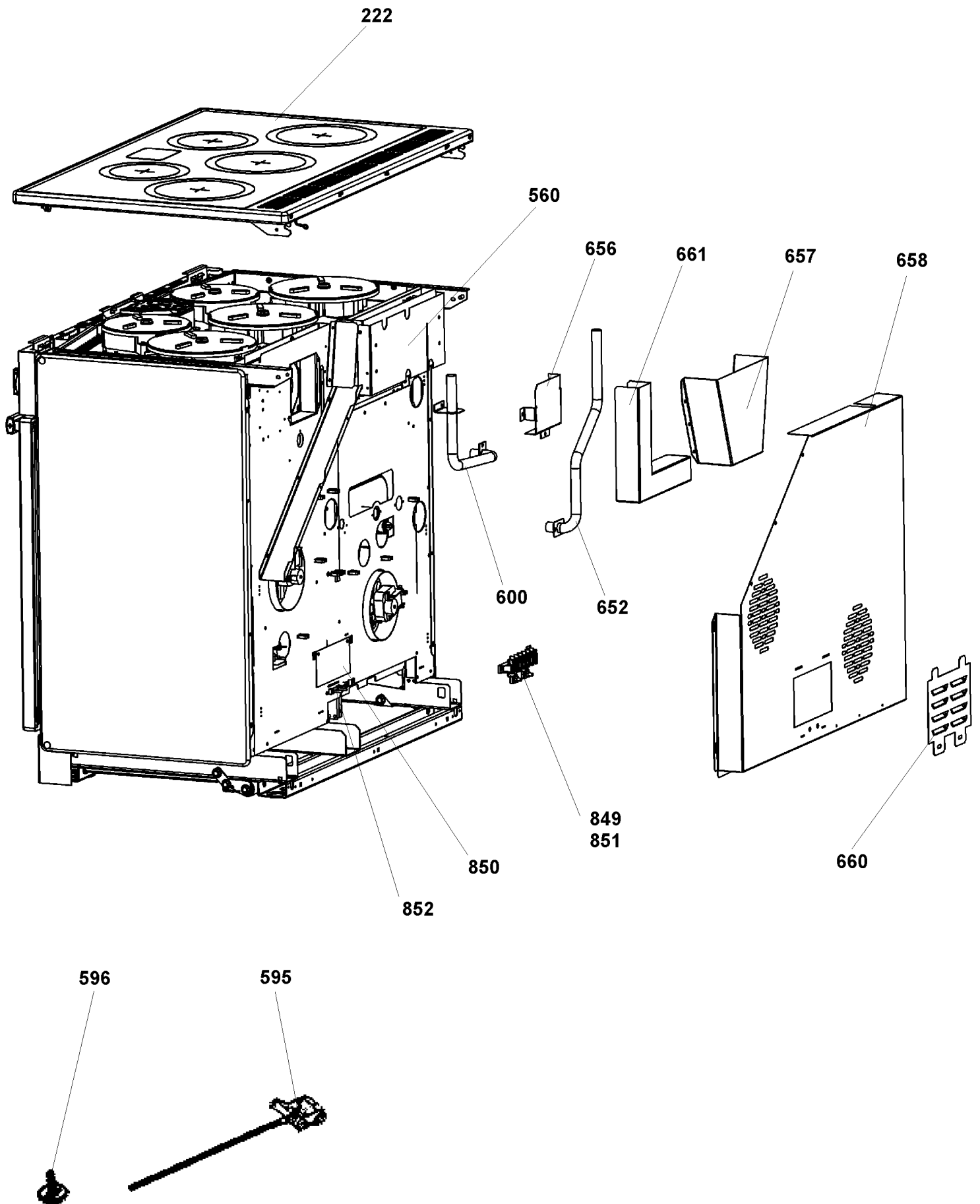
APPLIANCE NAME:
ELAN 90
INDUCTION

DATE 17.10.11

DSL0405 P02B
ISSUE STATUS 01

FROM SERIAL NUMBER 158000

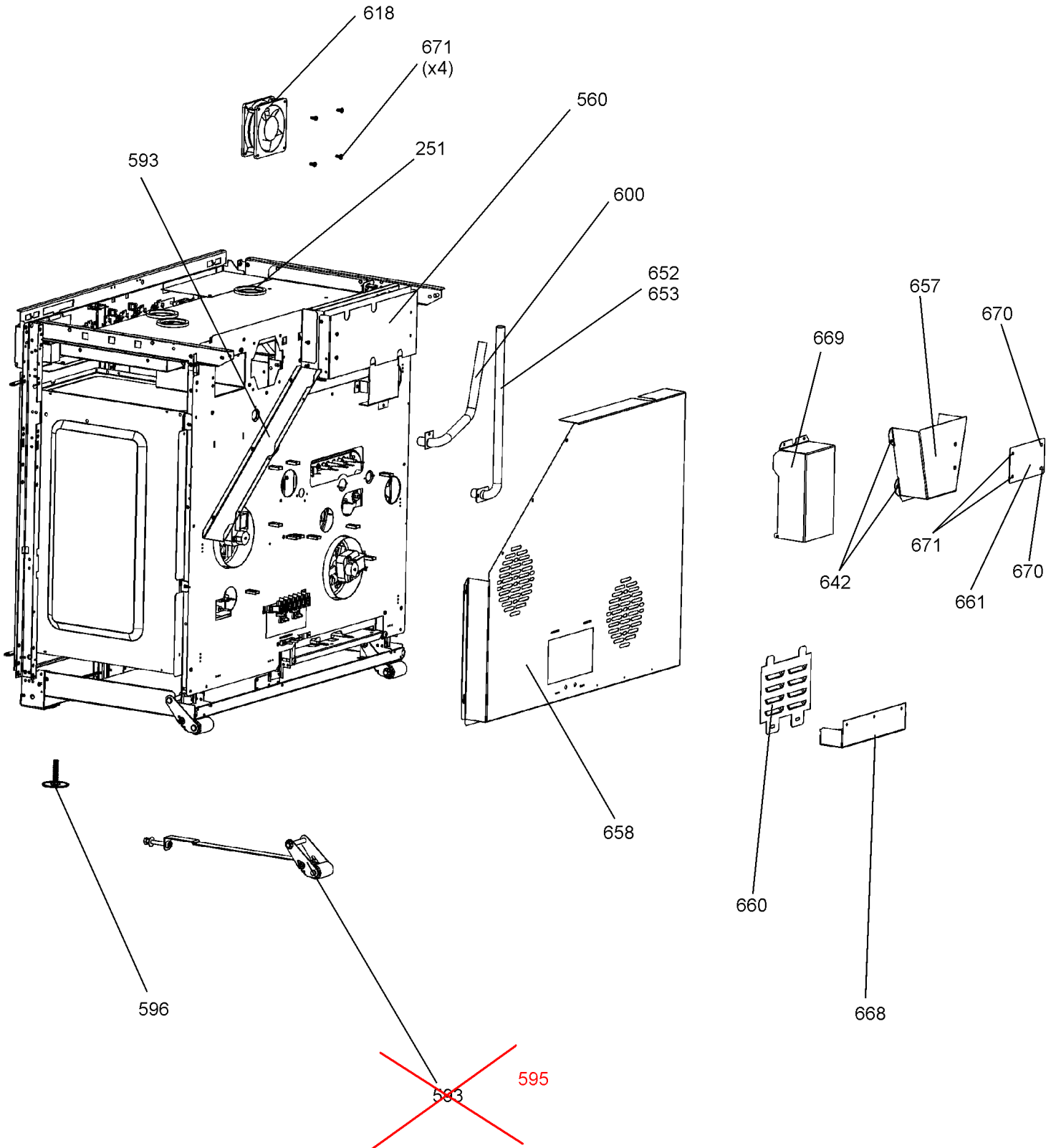


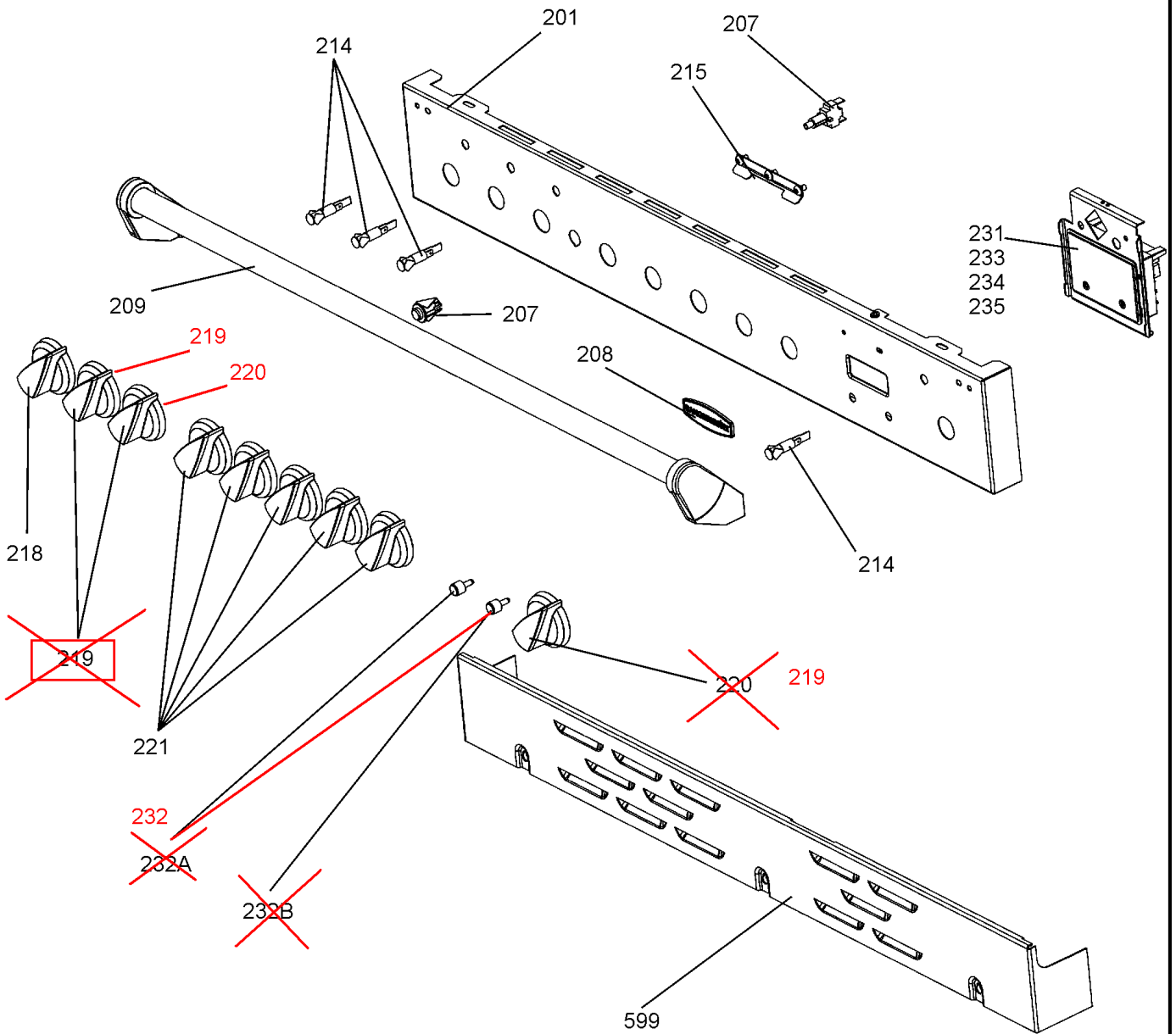


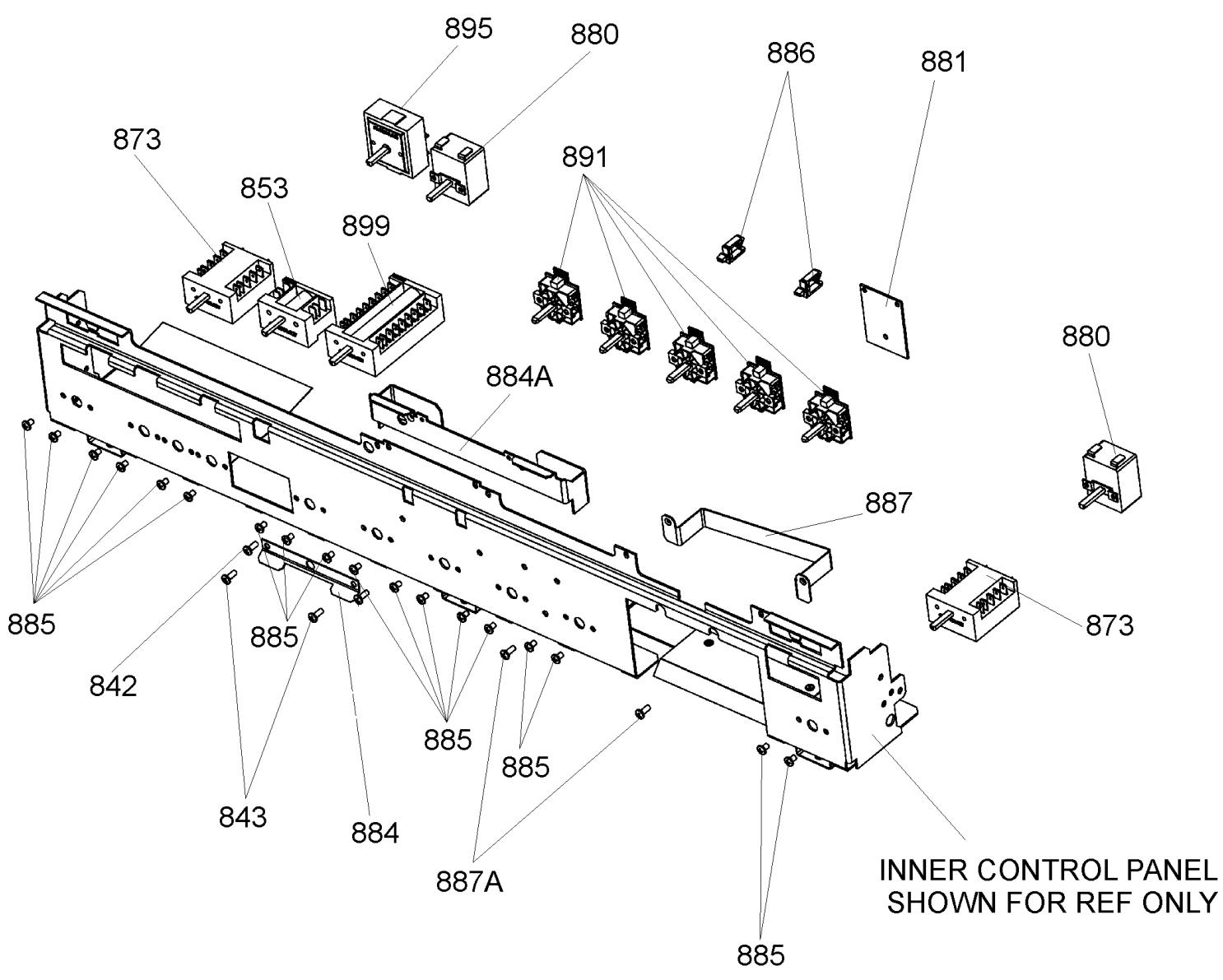
APPLIANCE NAME
ELAN 90 INDUCTION
FROM SERIAL NUMBER 158000

DATE 17.10.11

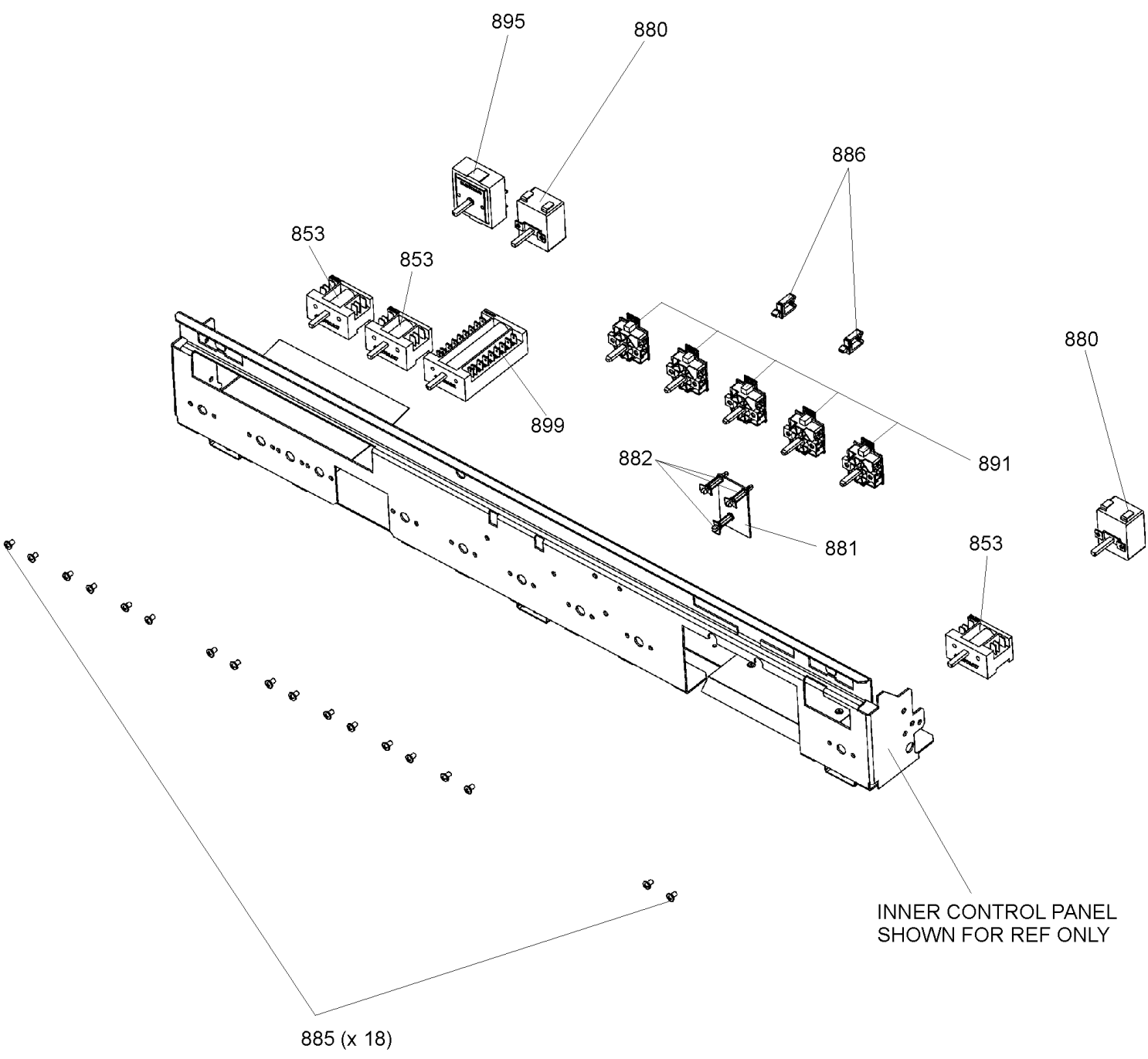
DSL0405 P03A
ISSUE STATUS 01

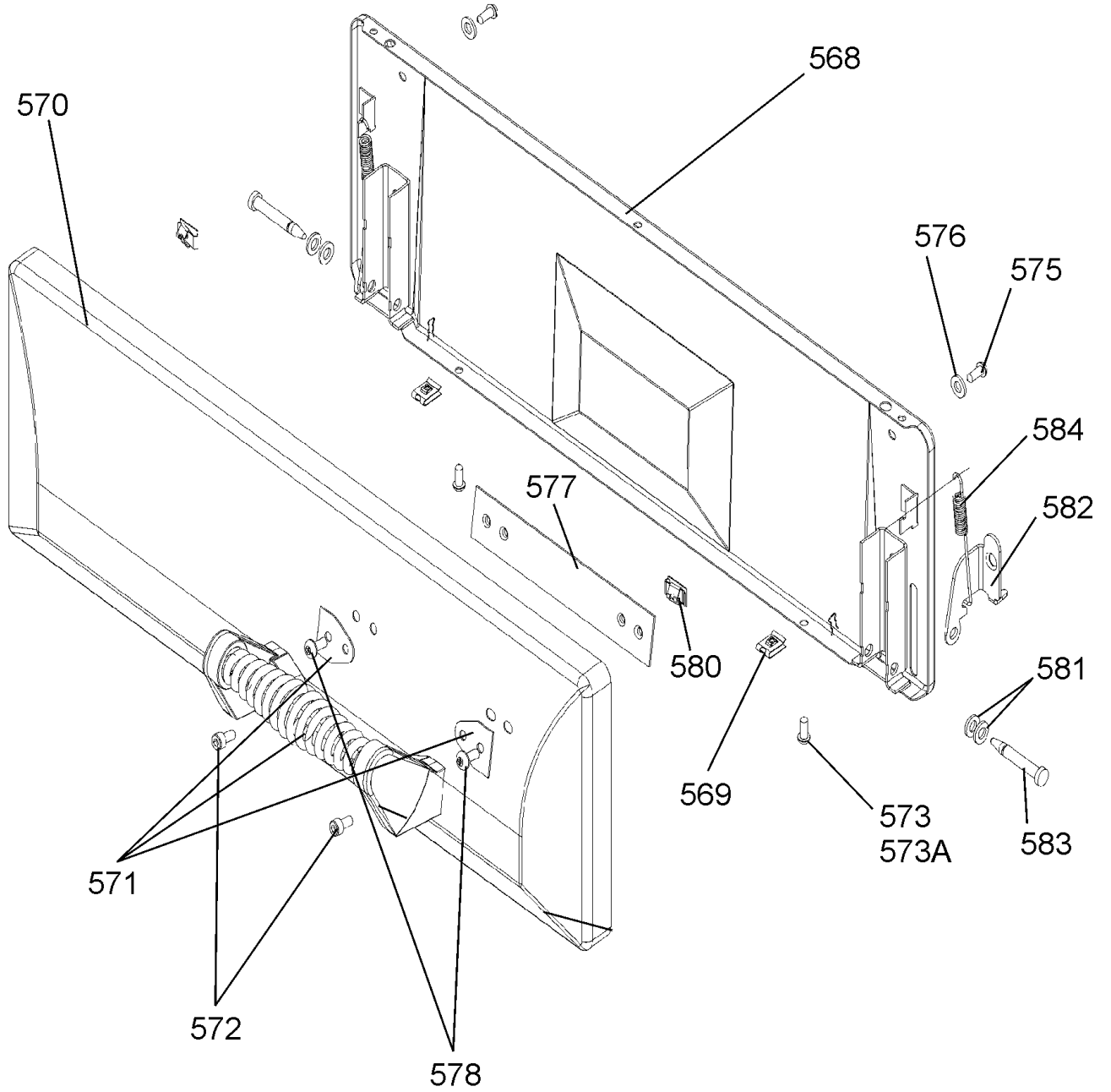


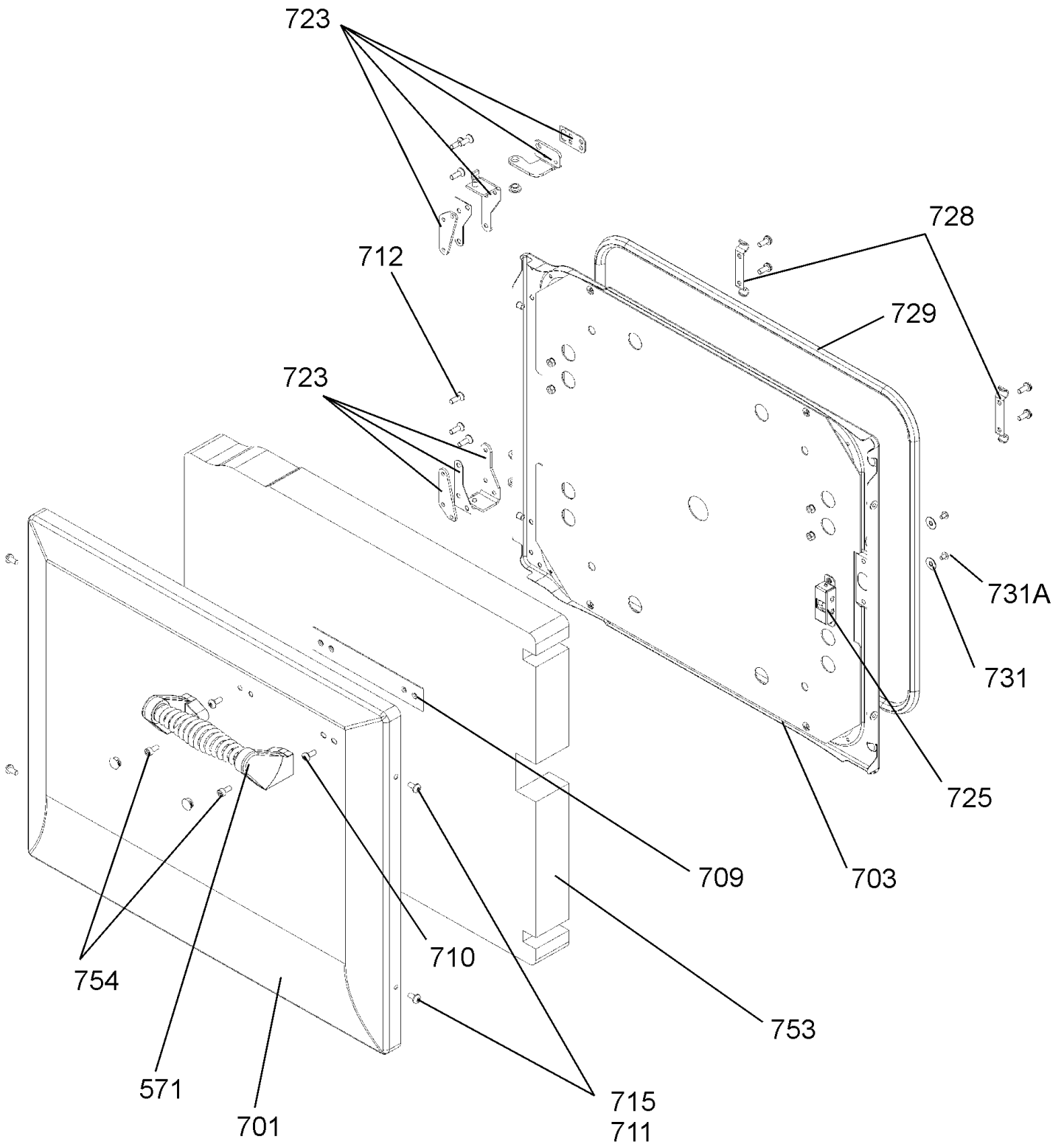


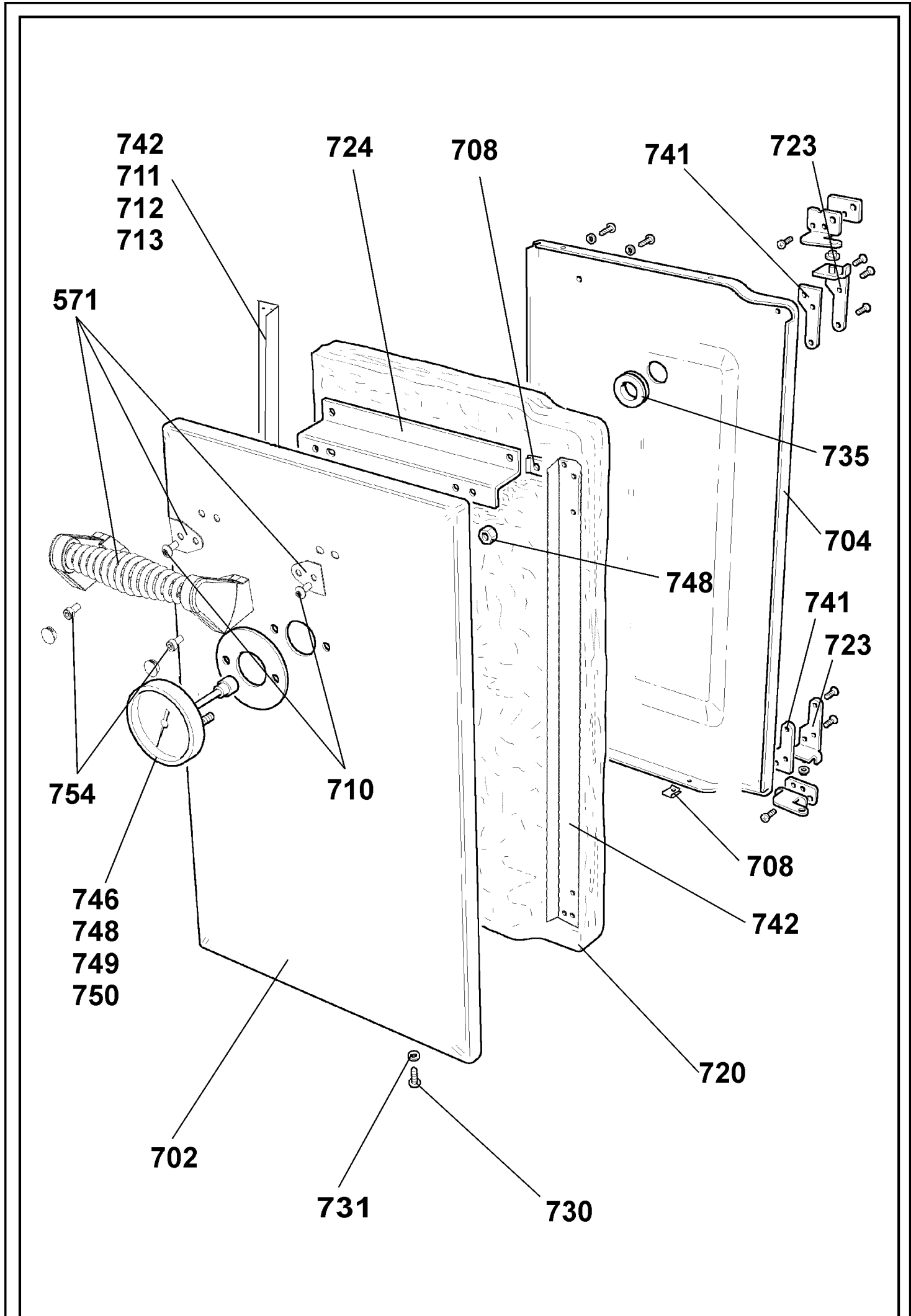


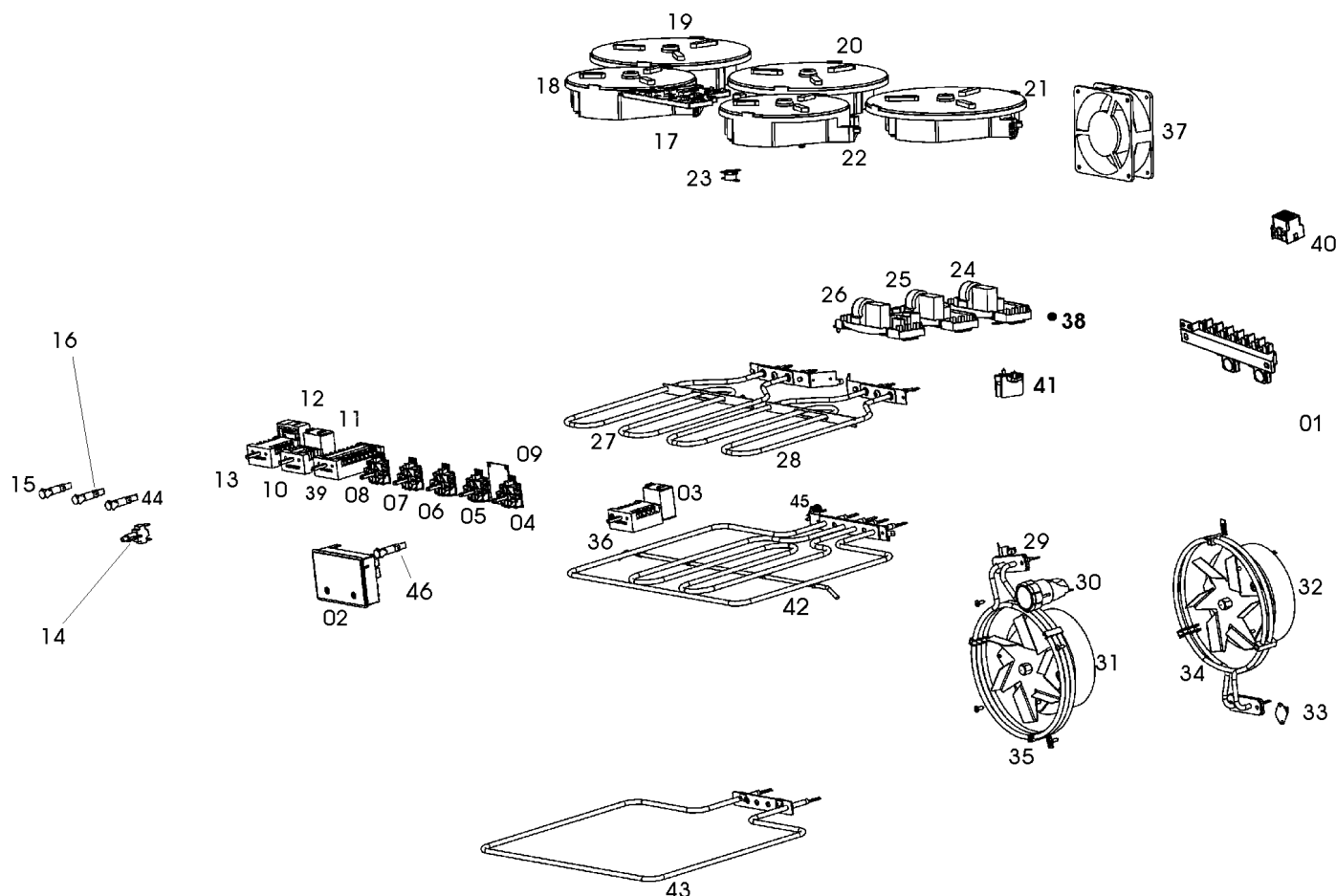
FROM SERIAL NUMBER 158000







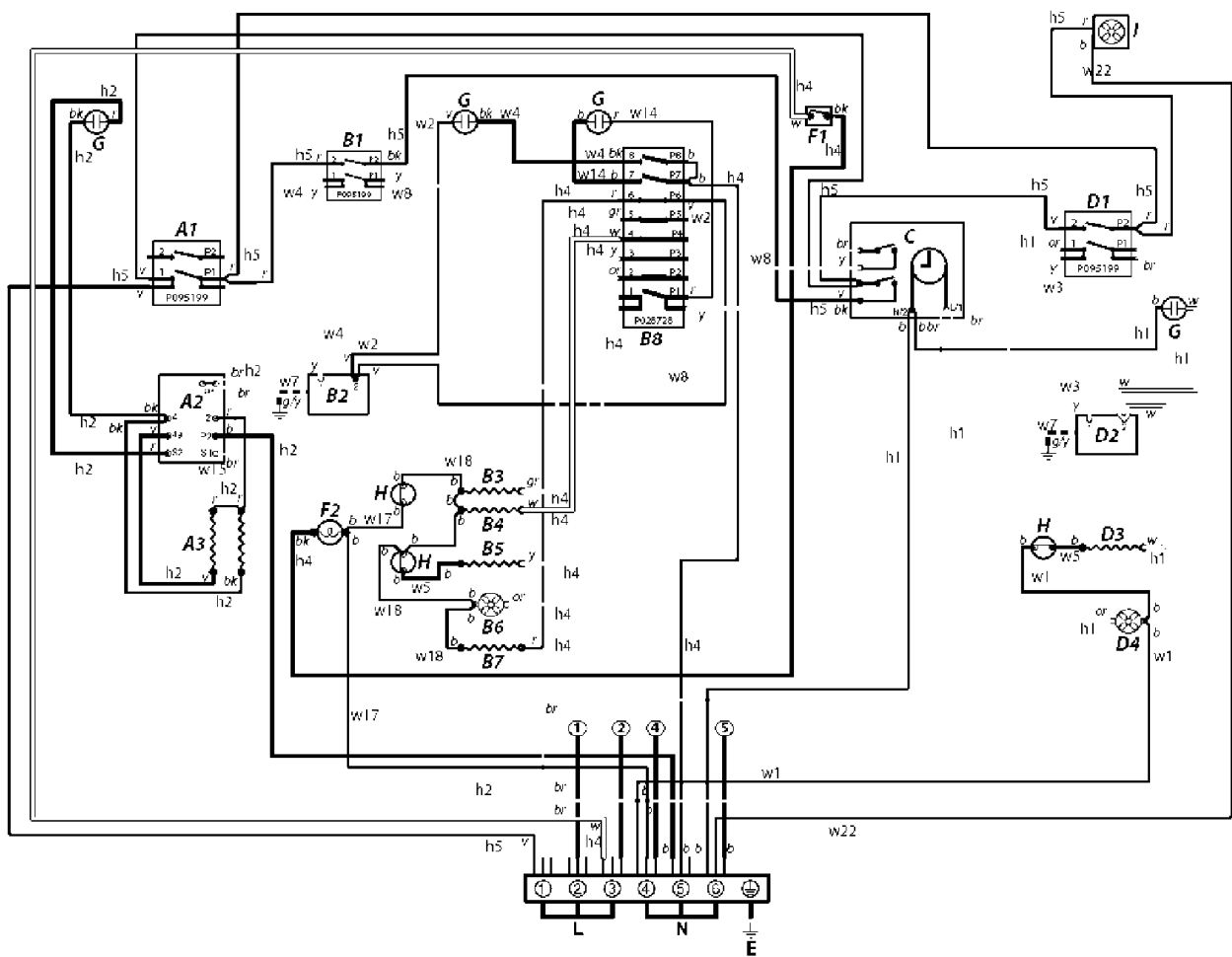




ELAN 90 Induction

Ref	Harness	Description	Qty	Connects	Components					
893	P045282	Grill Wire Harness	1	12	15	27	28			
848	P045824	LH Oven Harness	1	01	14	30	12	39	31	35
855	P045284	PE Harness	1	01	31	35	32	34	30	
857	P045286	Cooling Fan Neutral Harness	1	01	37	41				
859	P045288	Cooling Fan Activation Harness_RH Oven Switch	1	36	41					
860	P045289	Bulk Head to Terminal Block Harness	1	01	40	41				
861	P045290	Bulk Head to Connection Unit Harness	1	40	24	25	26	38		
862	P045410	CU to IHE Left Hand Pair	1	18	19	24				
863	P045411	CU to Centre IHE	1	20	25					
864	P045412	CU to Right Hand Pair	1	21	22	26				
865	P045292	LIN Bus Wire IHE_Interconnect Wire	2	24	25	26				
866	P043934	LIN Bus Wire IHE_Interconnect Wire	3	18	19	20	22	26		
867	P043935	LIN Bus Wire IHE_Interconnect Wire	2	09	17	19				
868	P045291	LIN Bus Wire IHE_Interconnect Wire	2	20	21	22				
869	P043939	Rotary Control Wire to Interface Board	2	07	08	09				
870	P043936	Rotary Control Wire to Interface Board	3	05	06	07	09			
871	P043943	PE Connection Unit	3	24	25	26	38			
872	P038909	RH Oven Wiring Harness	1	01	02	03	32	34	36	46
894	P027733	Neutral Link RH Oven	1	01	32	33				
874	P037863	LH Oven Switch to Stat	1	10	11					
875	P038186	Link (Triple Reg/Switch)	2	03	36		10	13		
876	P094943	Earth Wire Assembly	2	03	01	11	01			
877	P040066	Link Wire Thermal Trip (Neutral Side)	1	29	35					

FROM SERIAL NUMBER 158000



Key	Ref Number	Part number	Remarks	Quantity
894	w1	P027733	RH OVEN NEUTRAL LINK	1
844	w2	P033367	LH OVEN RAPID HEAT-NEON LINK	1
874	w3	P037863	RH OVEN FEED TO THERMOSTAT	1
875	w4	P038186	MF SWITCH - TO MF NEON	1
872	h1	P038909	RH OVEN HARNESS	1
877	w5	P040066	OVEN OVERHEAT STAT LINKS LH-RH	2
893	h2	P045282	WIRE GRILL HARNESS	1
846	w8	P052304	MF OVEN FEED HARNESS	1
848	h4	P045824	WIRE LH OVEN MF HARNESS	1
897	w15	P055344	ENERGY REG LINK NEON FEED GRILL	1
878	w16	P055374	GRILL ELEMENT EARTHS	2
876	w7	P094643	WIRE ASSEMBLY	3
860	h6	P052814	HARNESS - MAINS-TERMINAL/CONNECTOR	1
861	h3	P051839	HOB SUPPLY HARNESS - MALE BULKHEAD C	1
855	N1	P045284	WIRE PROTECTIVE EARTH LINK	1
869	w9	P043939	WIRE ROTARY CONTROL	2
857	w12	P040824	CABLE - PCB TO ROTARY CONTROL	1
871	w10	P043937	WIRE ROTARY CONTROL	1
870	w11	P043936	WIRE ROTARY CONTROL	1
879	w6	P051766	INTERFACE BOARD TO K6 UNIT	1
889	w21	P052073	HARNESS - EARTH IND. UNIT / CHASSIS	1
845	w14	P045846	WIRE M-F NEON LINK	1
847	w17	P045825	WIRE NEUTRAL LINK LH OVEN	1
888	w18	P033089	MULTI-FUNCTION NEUTRAL LINK	1
859	h5	P052810	HARNESS - COOLING FAN	1
896	w22	P052815	NEUTRAL T-BLOCK - COOLING FAN	1

Code	Colour
b	Blue
br	Brown
bk	Black
or	Orange
r	Red
v	Violet
w	White
y	Yellow
g/y	Green/yellow
gr	Grey

Code	Description
A1	Grill front switch
A2	Grill energy regulator
A3	Grill elements
B1	Left-hand oven front switch
B2	Left-hand oven thermostat
B3	Left-hand oven top element (outer)
B4	Left-hand oven top element (inner)
B5	Left-hand oven fan element
B6	Left-hand oven fan
B7	Left-hand oven base element
B8	Left-hand multi-function switch

Code	Description
C	Clock
D1	Right-hand oven front switch
D2	Right-hand oven thermostat
D3	Right-hand oven element
D4	Right-hand oven fan
F1	Light switch
F2	Oven light
G	Neon
H	Thermal cut-out
I	Cooling fan

