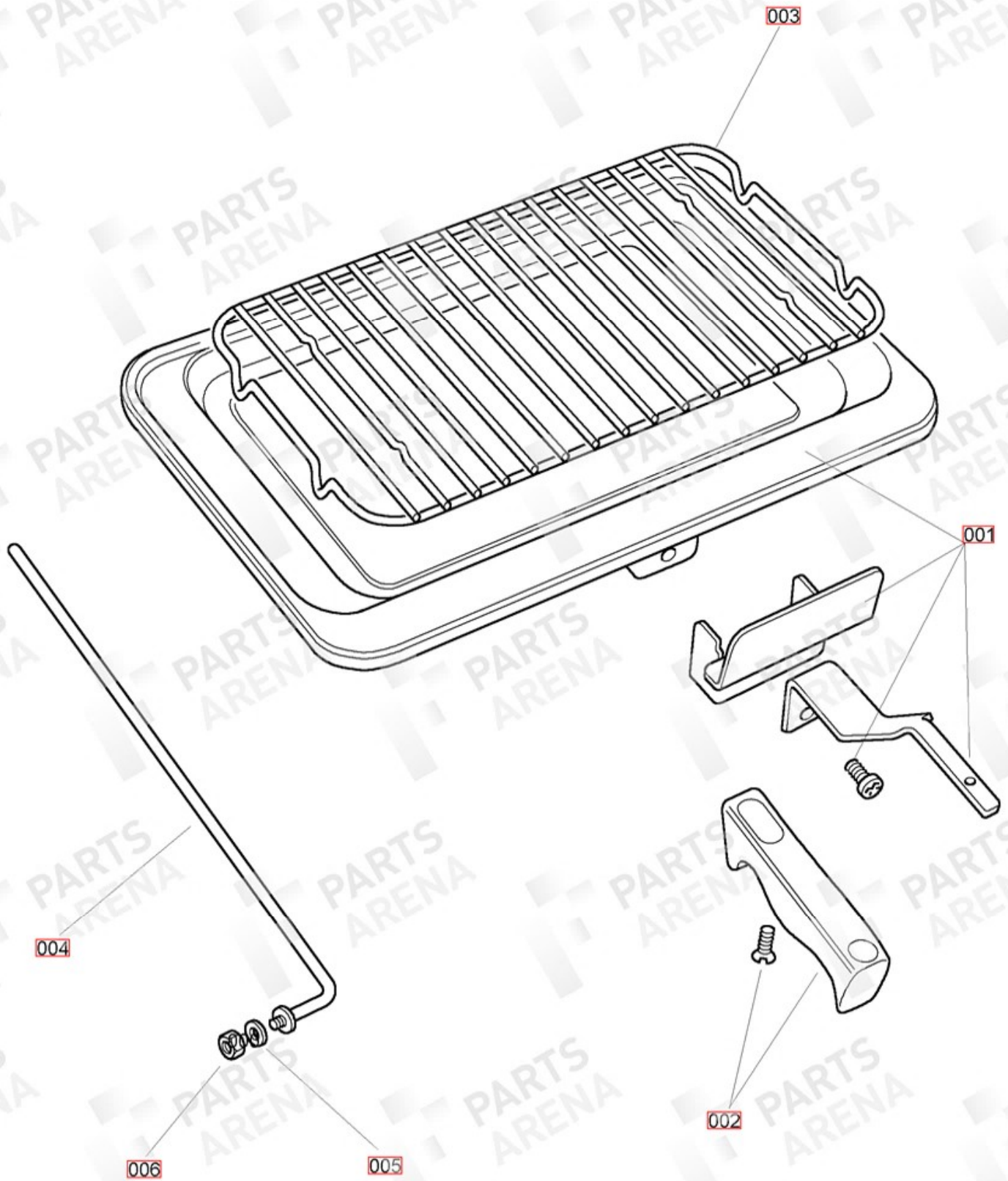


7093 UP TO SER No 1390  
7094 UP TO SER No 1012  
7095 UP TO SER No 1123

ISSUE STATUS 02



7093 FROM SER No 1389

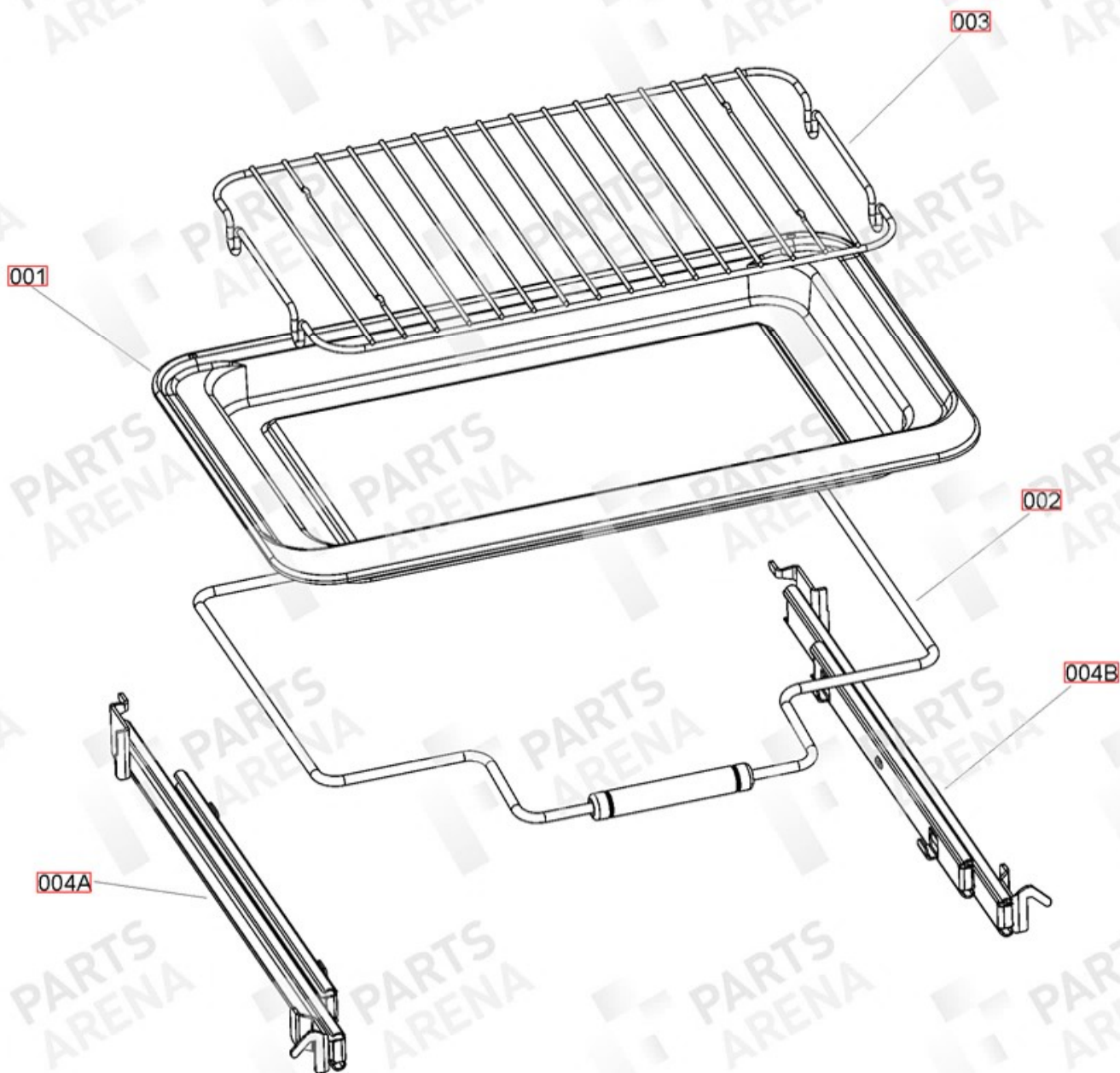
7094 FROM SER No 1011

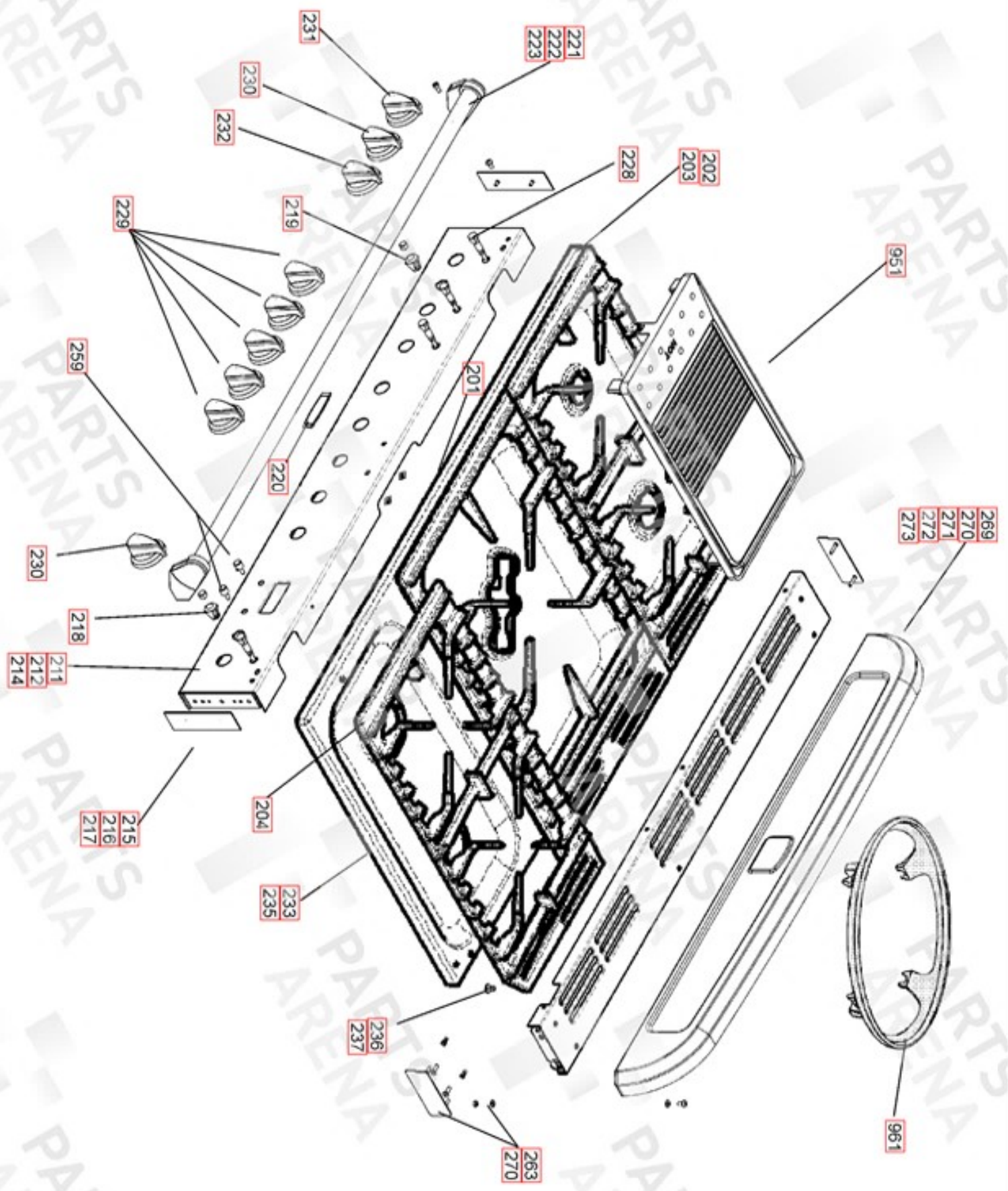
7095 FROM SER No 1122

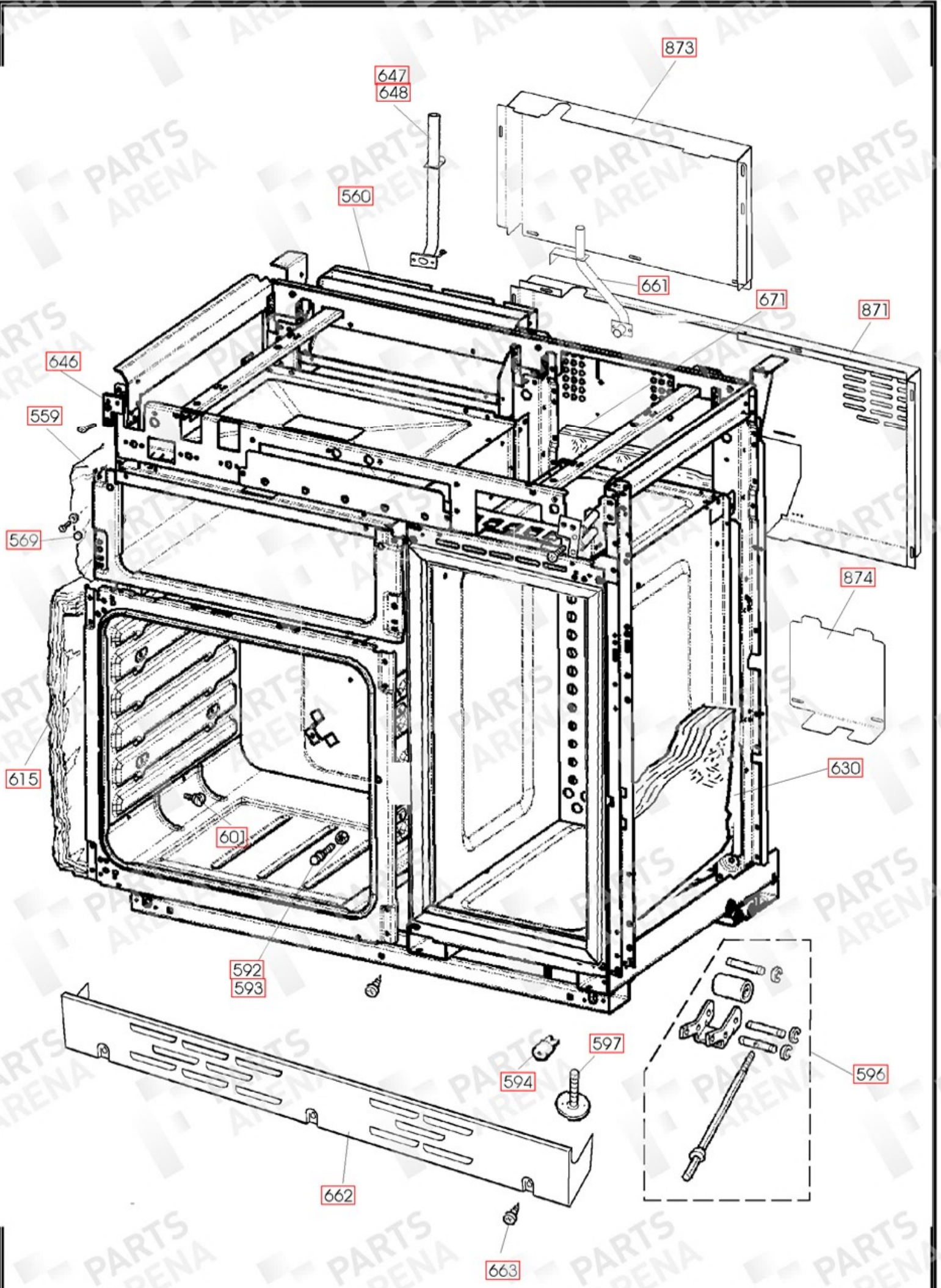
ISSUE STATUS 02

8649; 8650; 10082; 10110; 10122 - EU

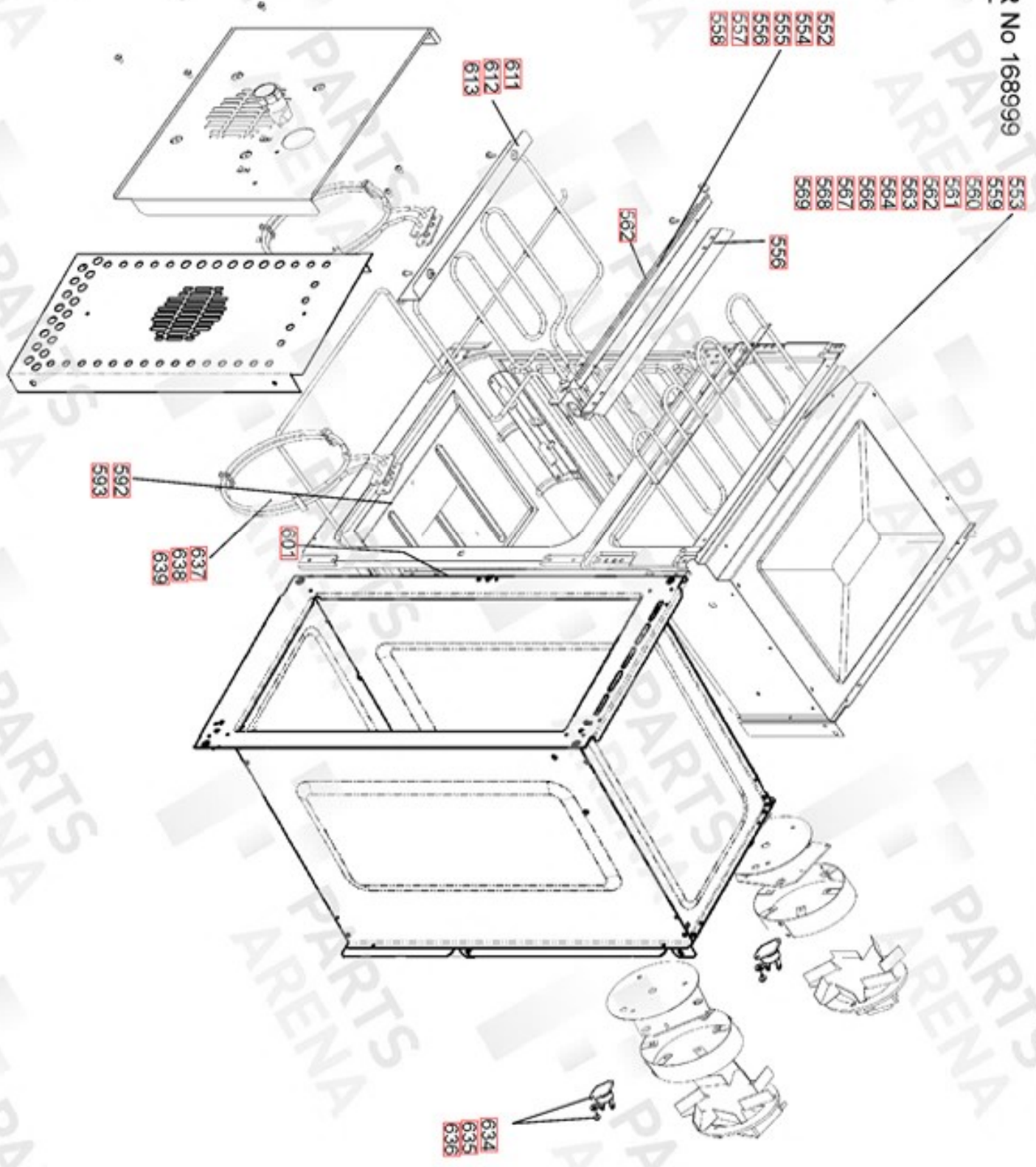
8418; 8419 - AUSTRALIA



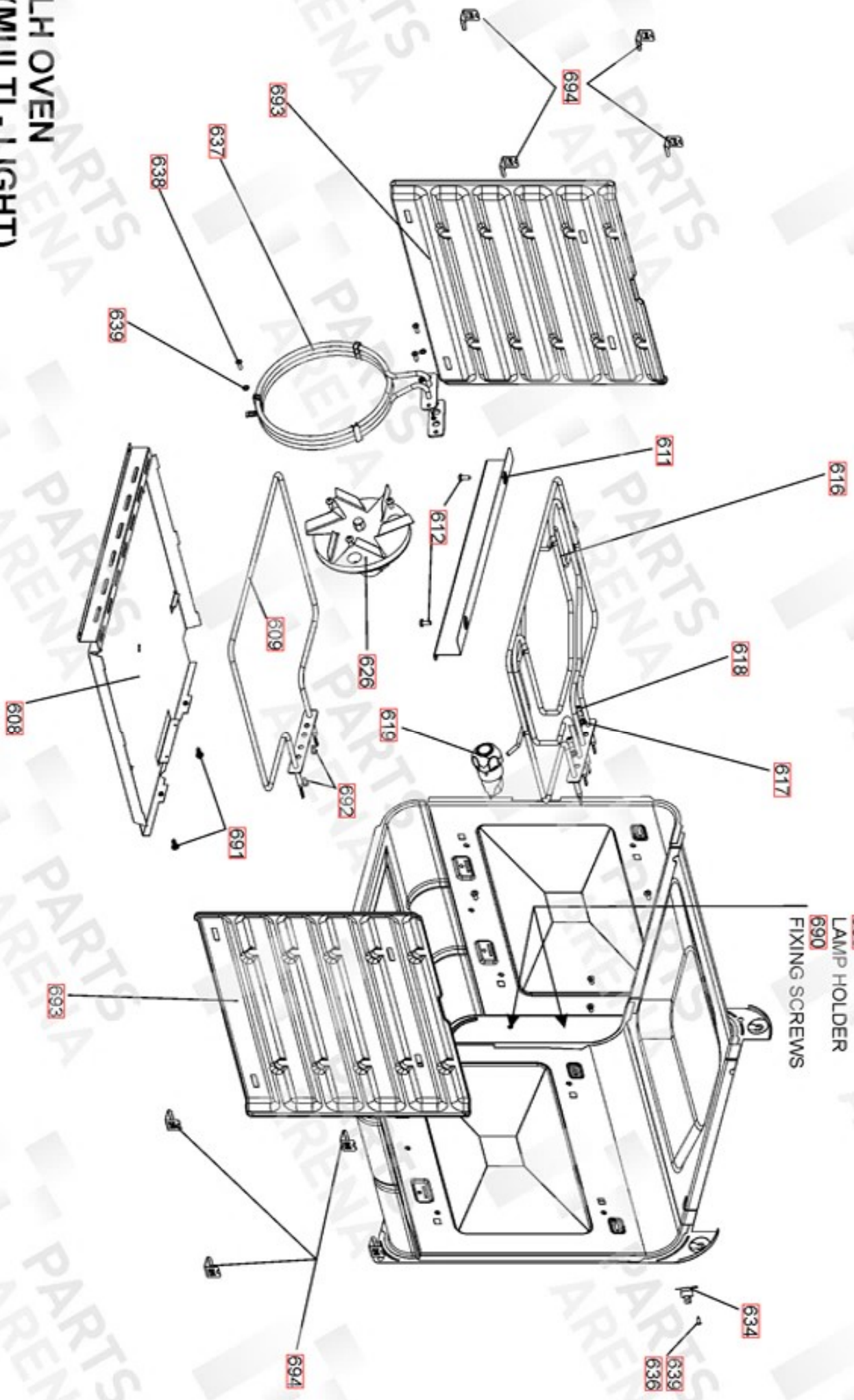




LH & RH OVENS UP TO SER No 168999  
GRILL CHAMBER CURRENT



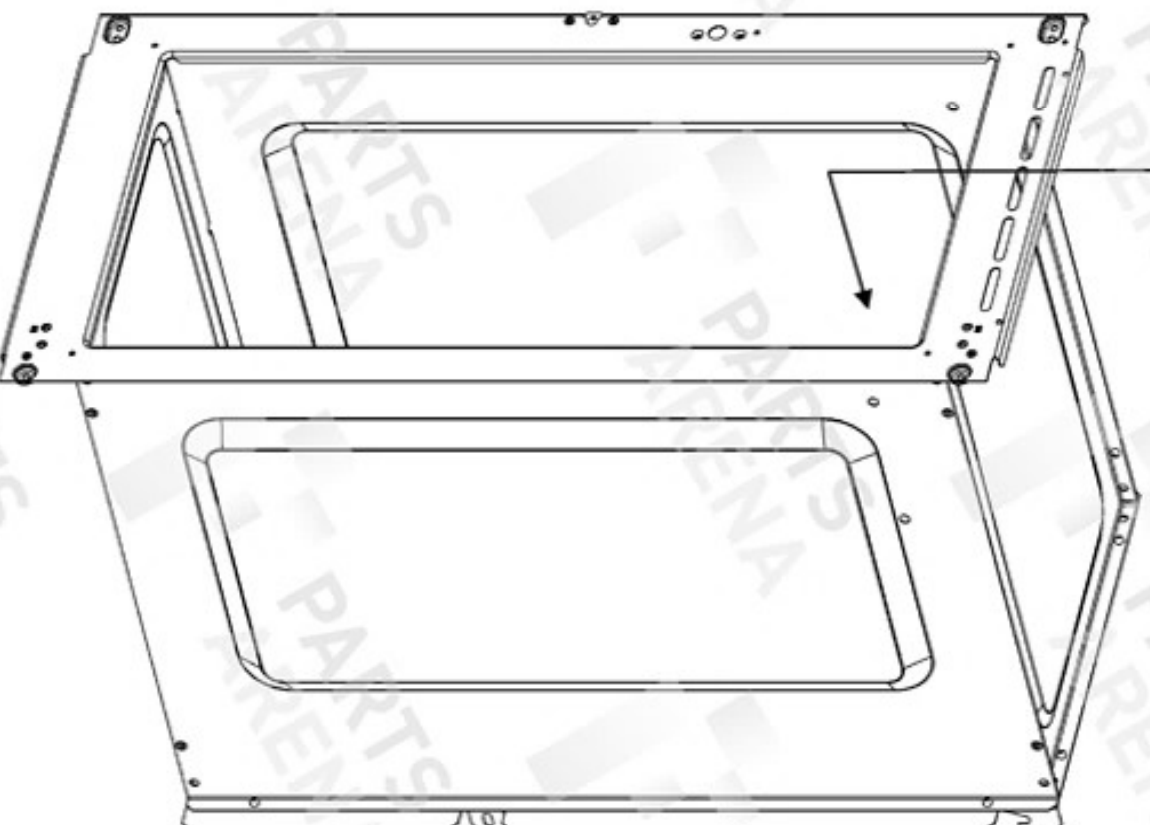
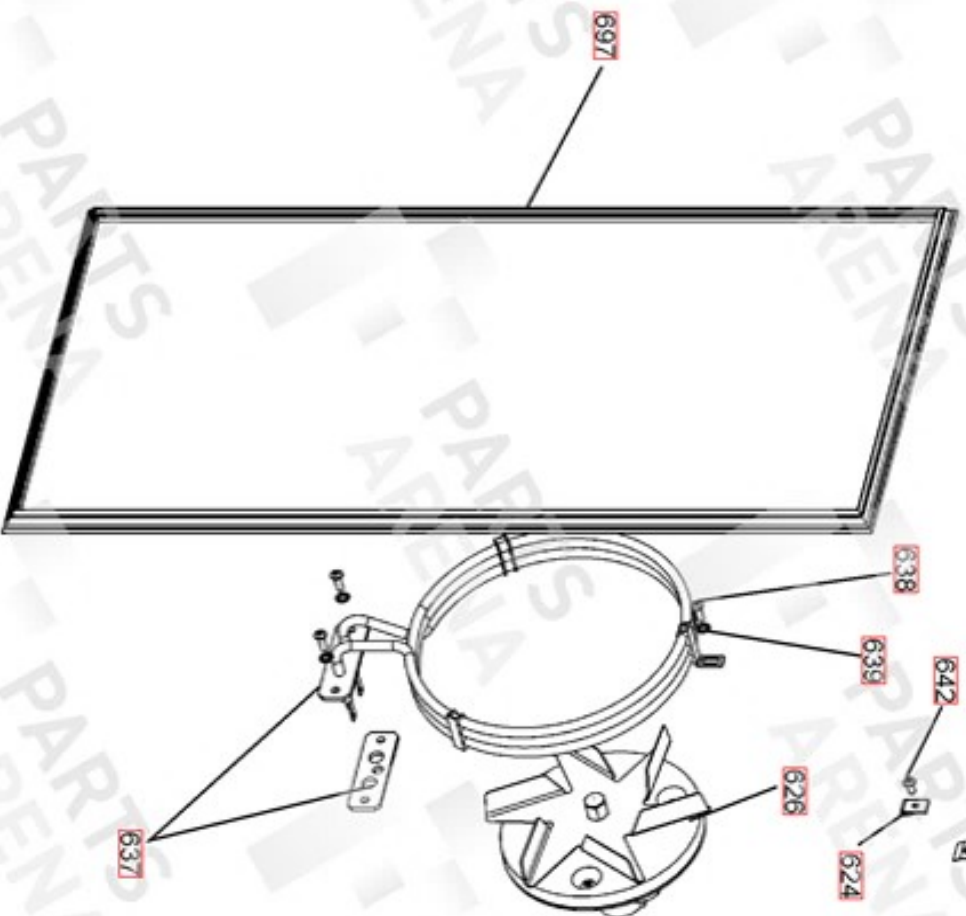
- 625 OVEN BAFFLE
- 641 FIXING SCREWS
- 689 LAMP HOLDER
- 690 FIXING SCREWS



LH OVEN  
(MULTI - LIGHT)

FROM SERIAL NUMBER 169000  
UP TO SERIAL NUMBER 181999

- 674 FULL OVEN BAFFLE
- 621 WASHER
- 642 WASHER
- 659 FIXING SCREWS

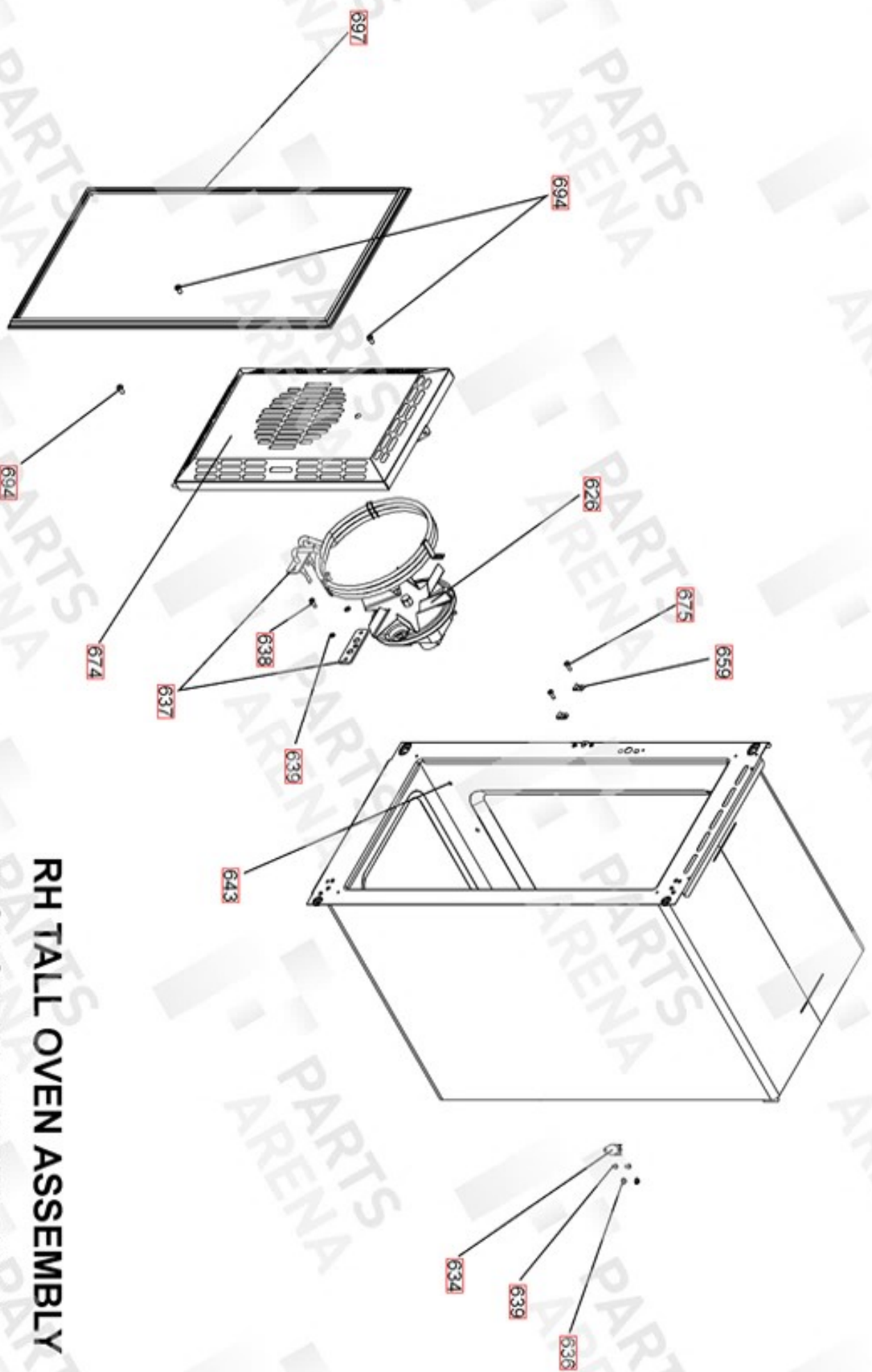


- 636
- 639
- 634

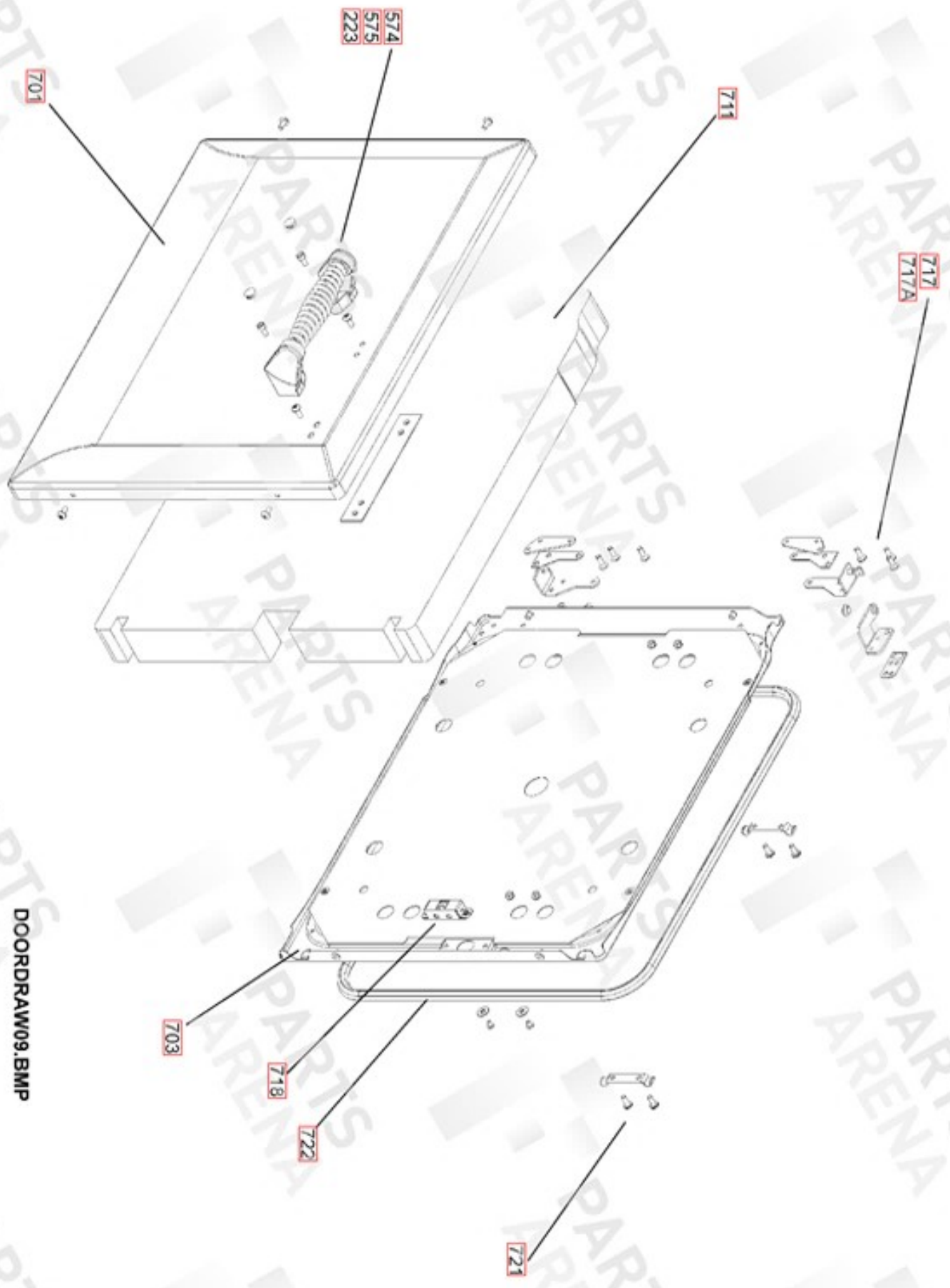
90 TALL FULL OVEN ASSEMBLY  
 FROM SERIAL NUMBER 169000  
 UP TO SERIAL NUMBER 179999



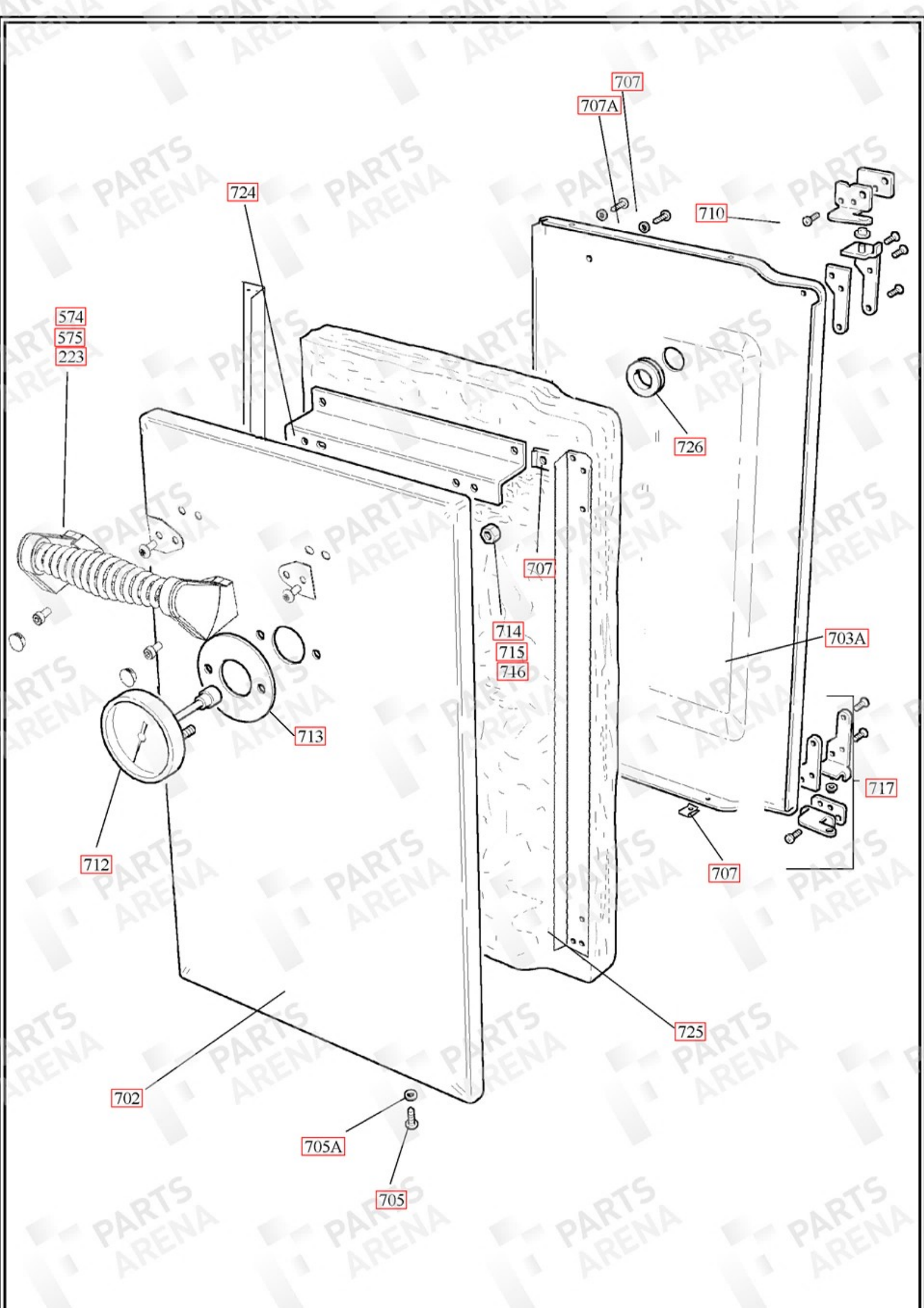




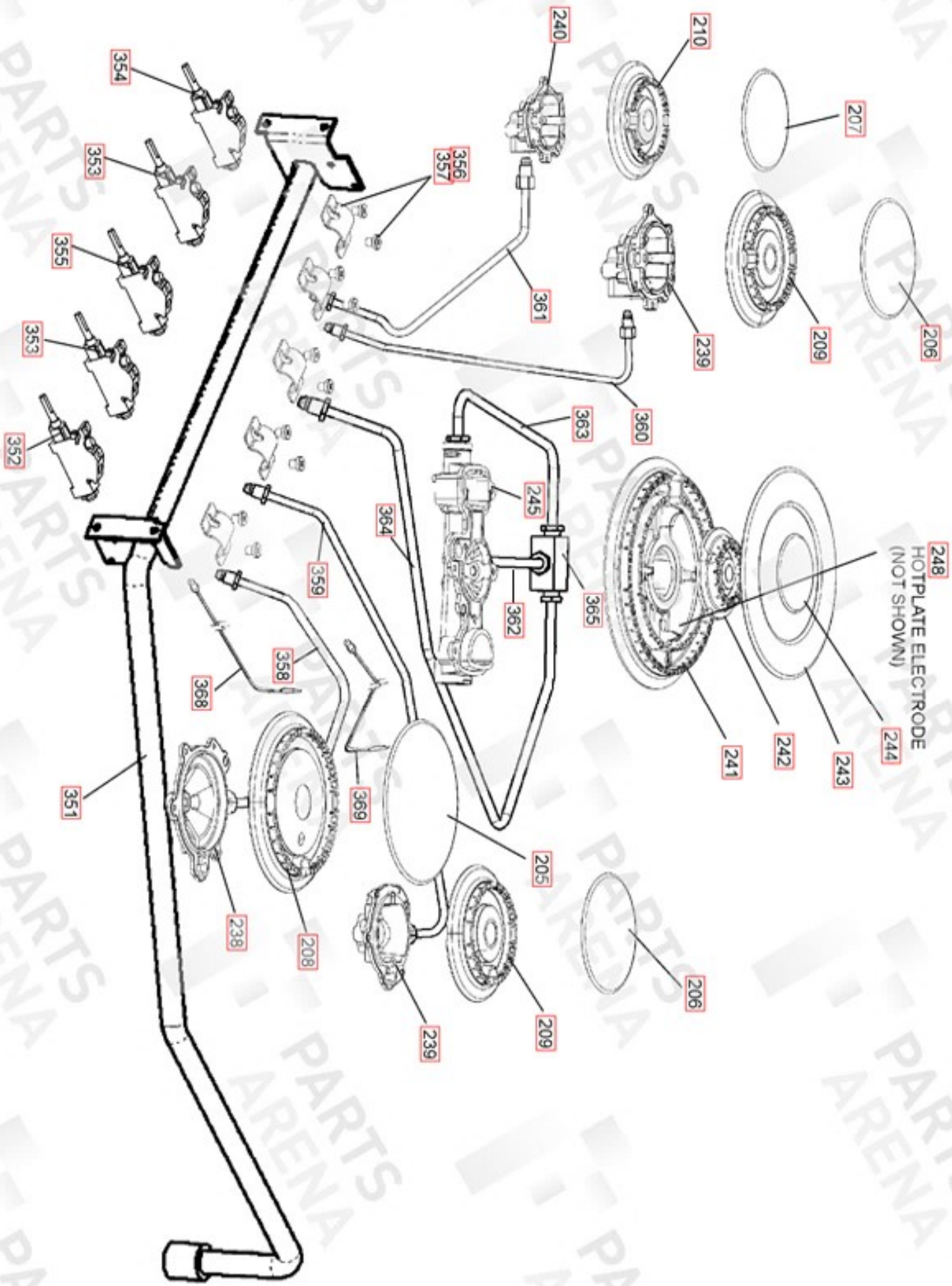
**RH TALL OVEN ASSEMBLY**  
**FROM SERIAL NUMBER 180000**



DOORDRAW09.BMP

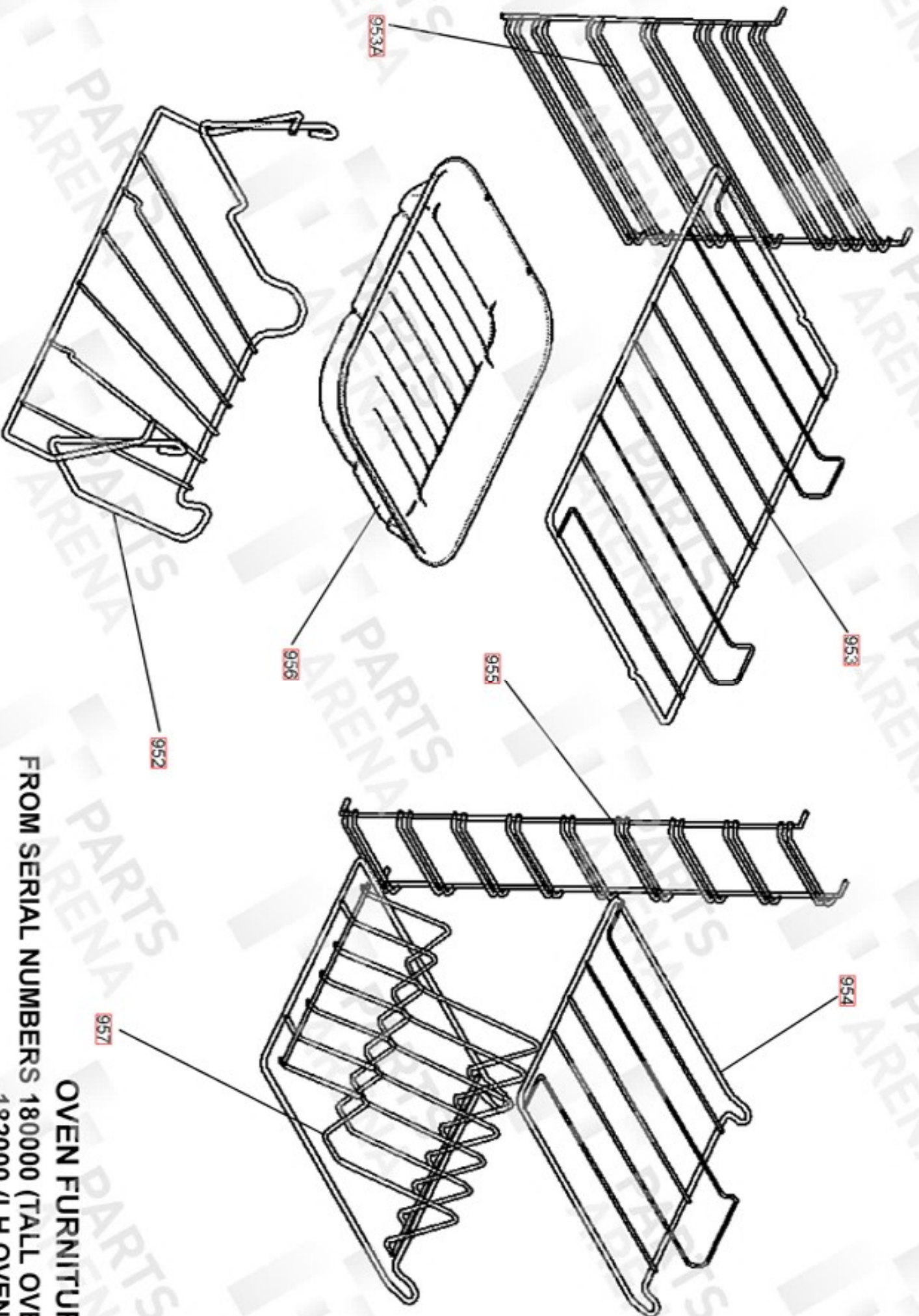






248  
HOTPLATE ELECTRODE  
(NOT SHOWN)

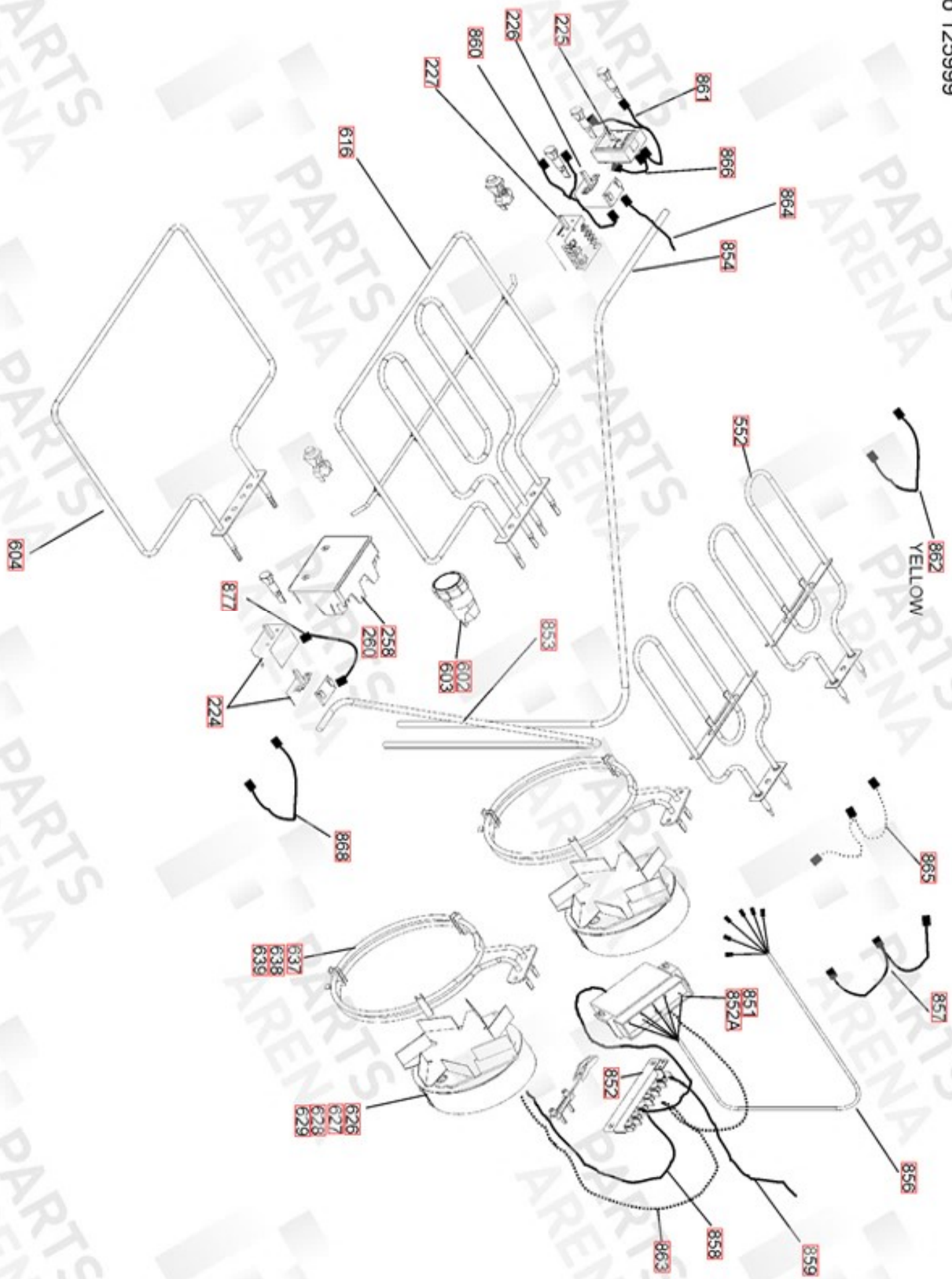


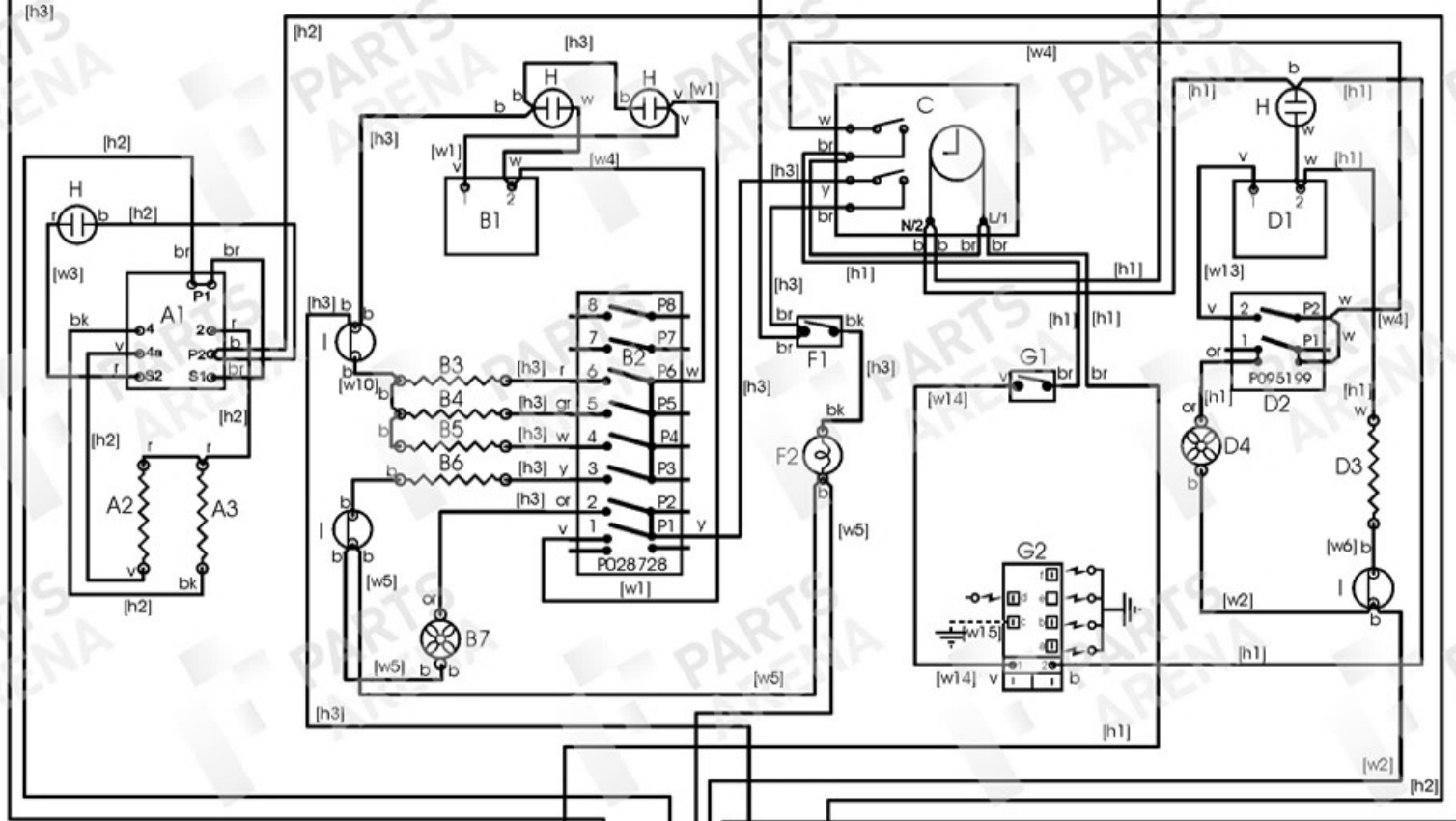


FROM SERIAL NUMBERS 180000 (TALL OVEN)  
182000 (LH OVEN)

OVEN FURNITURE







ArtNo.081-0007 - 90DF - Circuit diagram - Elan

Ref Number	Part number	Quantity	Remarks
[h1]	P049390	1	Harness Assembly RH OVEN HARNESS
[h2]	P035429	1	Wire - 90 ELAN GRILL WIRING HARNESS
[w1]	P033367	1	Wire - Neon Feed VIOLET
[h3]	P035431	1	Harness Assembly - MULTI FUNCTION OVEN WIRING HARNESS
[w2]	P095443	1	Wire - RH Fan Wire
[w3]	P094951	1	Wire - Energy Reg to Neon Link
[w4]	P095565	2	Wire - Relay / T/Stat / Switch Link - Neon / MF T/Stat / Switch Link
[w5]	P043963	1	Wire - WIRE 3 LINK RETURN RH OVEN
[w6]	P040066	1	Wire - Cut out neutral link
[w7]	P094943	1	Wire (NI) - T/Stat Earth
[w8]	P055374	2	Wire (NI) - Grill Earth
[w9]	P055344	1	Wire - Energy Reg Link
[w10]	P040694	1	Wire - WIRE ASSY (NEUTRAL BLUE DAISY)
[w11]	P033072	1	Wire (NI) - EARTH LINKS MULTI FUNCTION
[w12]	P027672	1	Wire (NI) - Earth Wire
[w13]	P033086	1	Wire - WIRE ASSEMBLY T'STAT LINK
[w14]	P049291	1	Wire - WIRE ASSEMBLY
[h4]	P049242	1	Harness Assembly (NI) - HT HARNESS
[w15]	P049241	1	Wire - Earth Spark Generator

NI Not Illustrated

w - Single Cable / Single Cable with multiple terminations

h - Harness Assembly (Including Single Wires that are Sheathed)

Code	Description
A1	Grill energy regulator
A2	Grill element left hand side
A3	Grill element right hand side
B1	Left hand oven thermostat
B2	Left hand oven switch
B3	Left hand oven base element
B4	Left hand oven top element
B5	Left hand oven browning element
B6	Left hand oven fan element
B7	Left hand oven fan

Code	Description
C	Clock /Oven Timer
D1	Right hand thermostat
D2	Right hand oven switch
D3	Right hand oven element
D4	Right hand oven fan
F1	Oven light switch
F2	Oven light
G1	Ignition switch
G2	Ignition generator
H	Neon

Code	Colour
b	Blue
br	Brown
bk	Black
or	Orange
r	red
v	violet
w	White
y	yellow
gr	Grey

DSL0206 P10A

ISSUE STATUS 01 DATE 04.11.09

ELAN 90 DF

FROM SERIAL No 126000