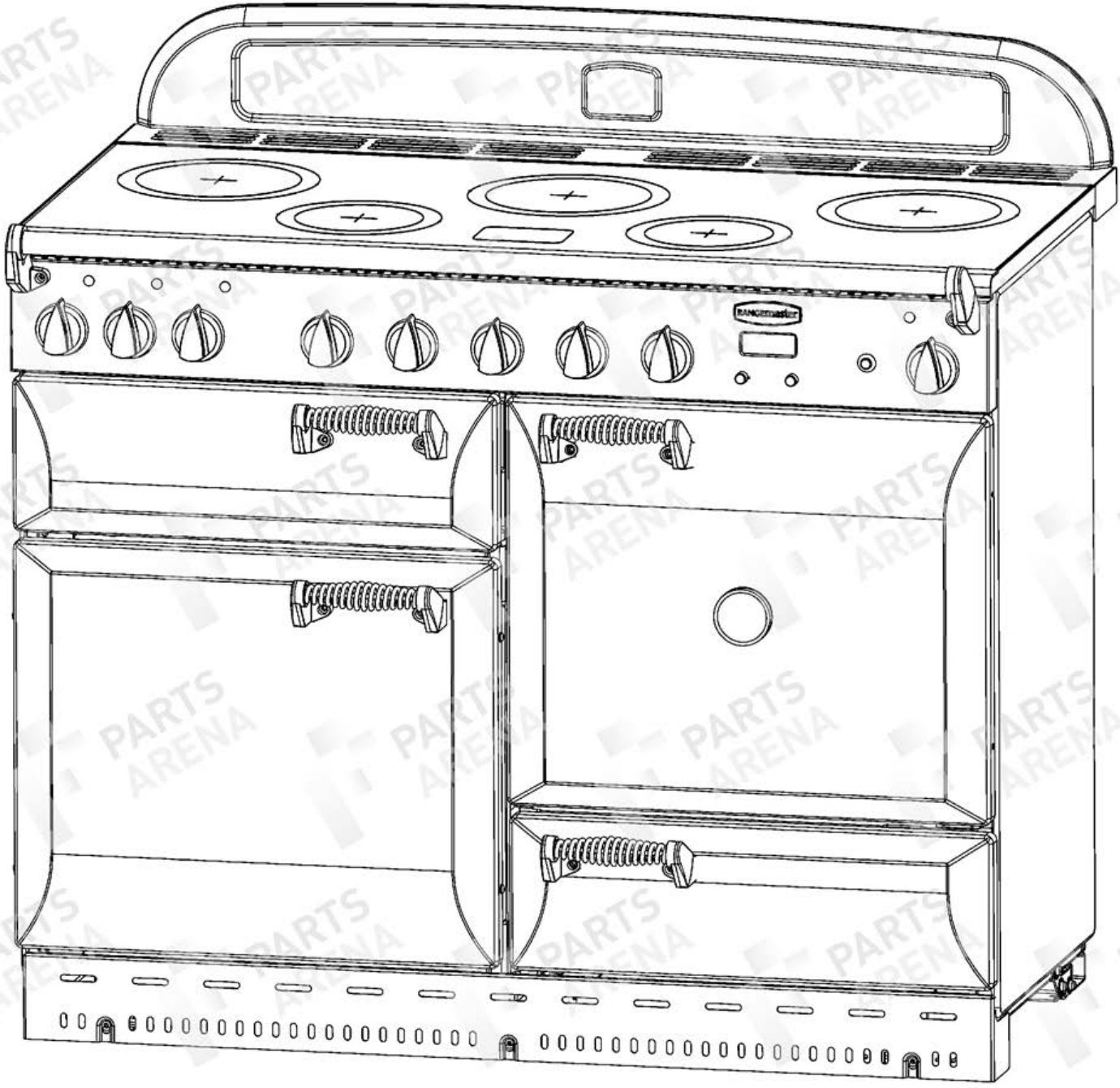


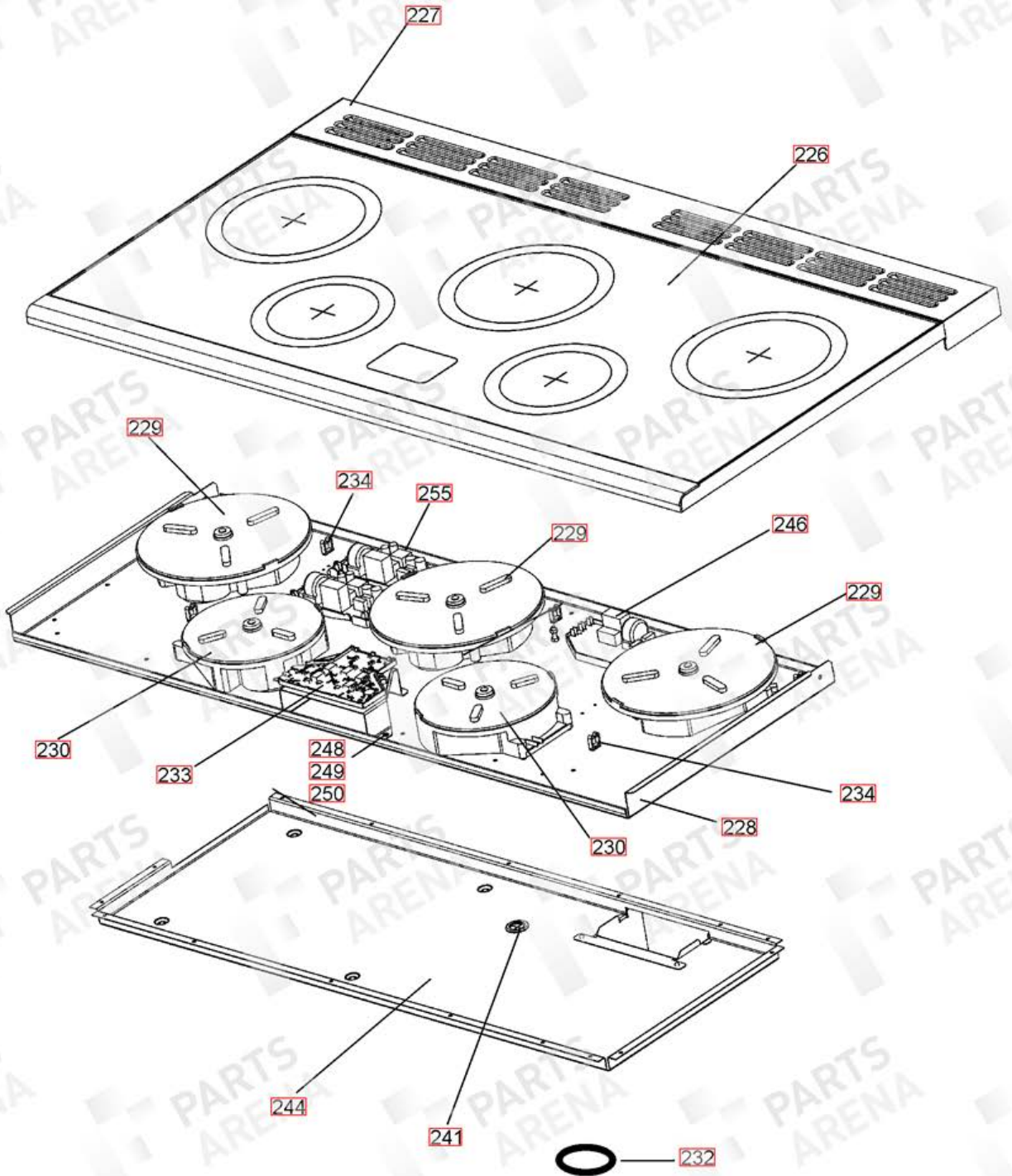
APPLIANCE NAME:
ELAN 110 INDUCTION

DATE 22.04.10

DSL0407 P00

ISSUE STATUS 01

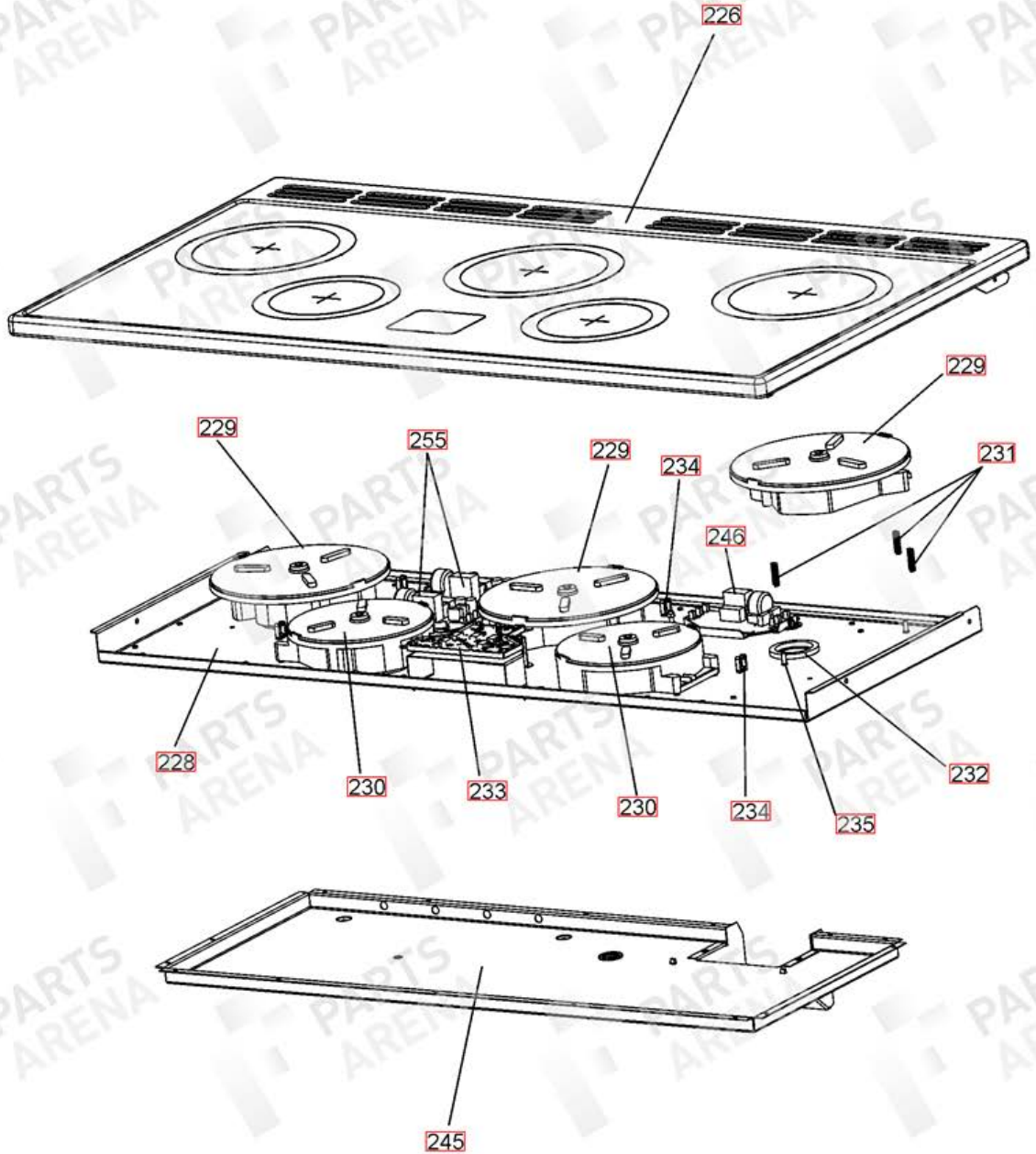


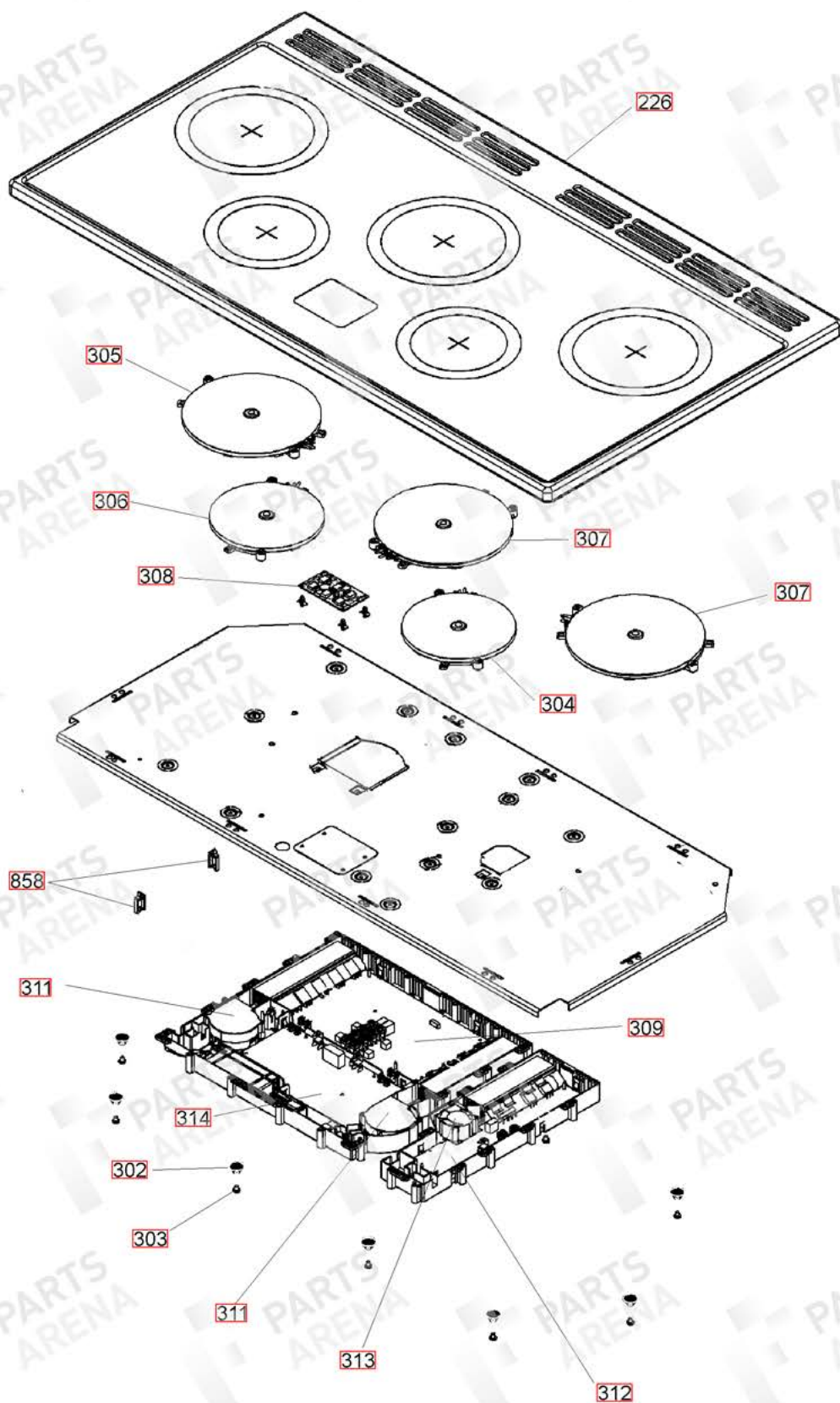


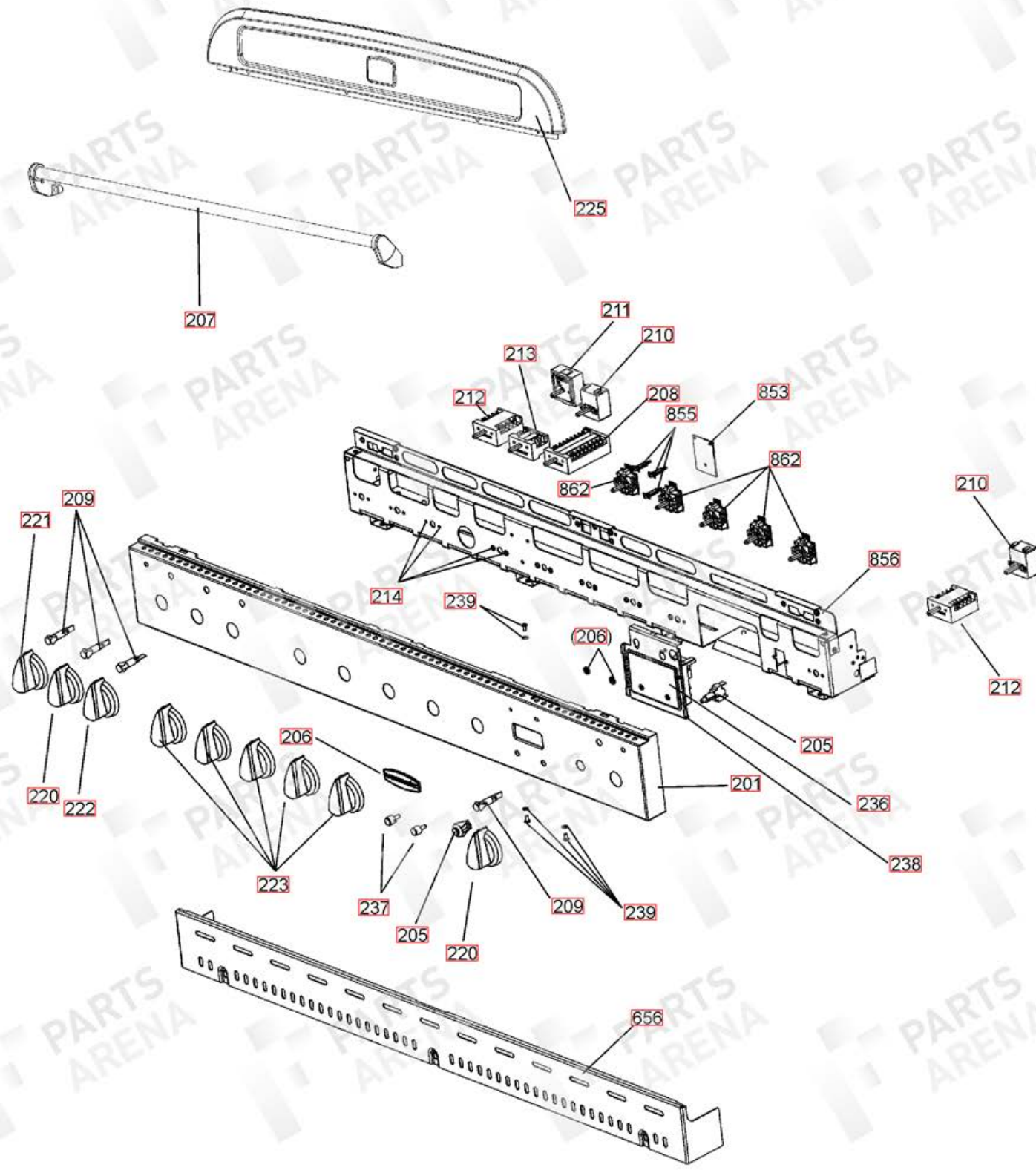
ELAN 110 INDUCTION
FROM SERIAL NUMBER 150000
UP TO SERIAL NUMBER 157999

DATE 06.07.15

DSL0407 P01A
ISSUE STATUS 04





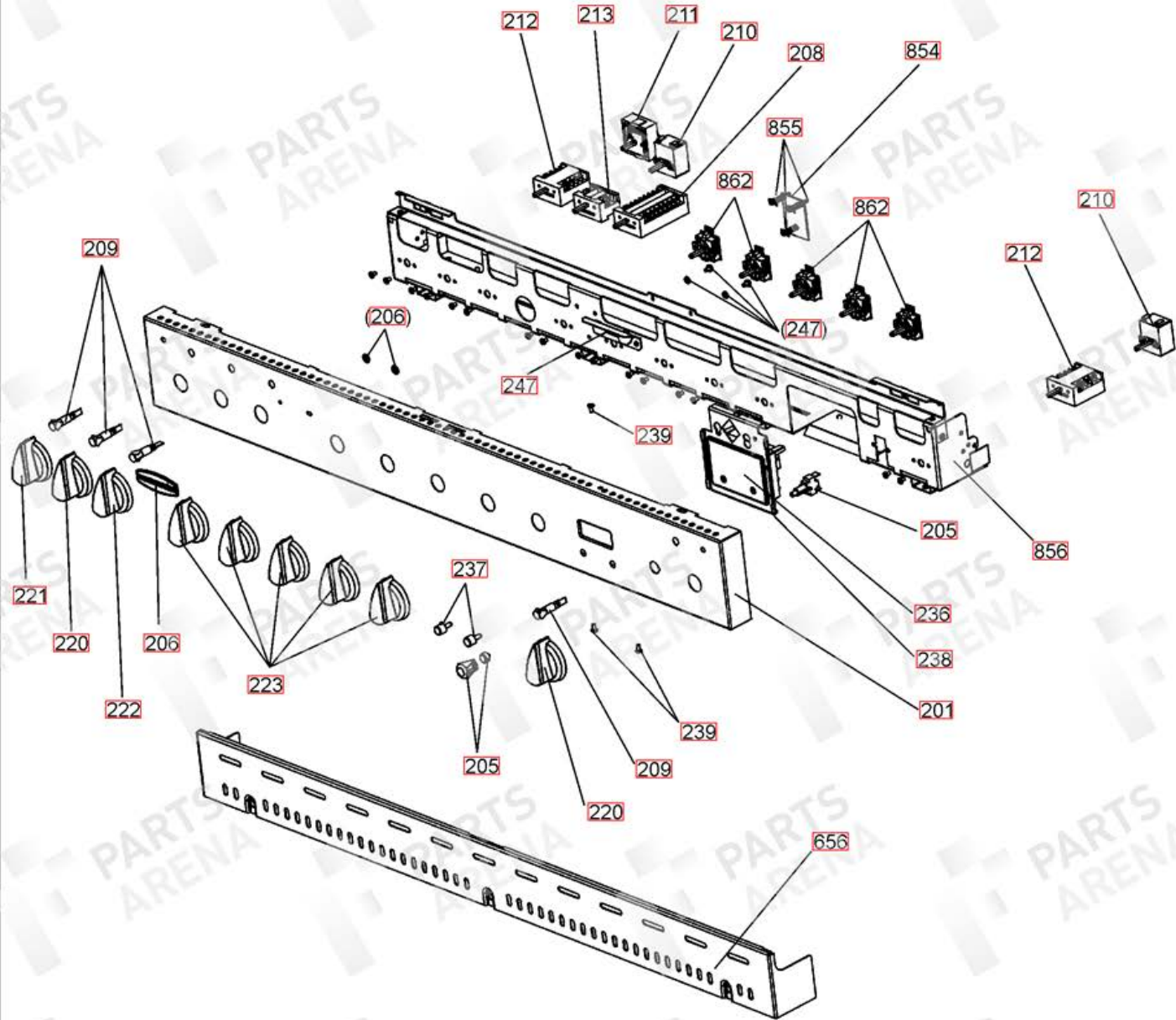


ELAN 110 INDUCTION

FROM SERIAL NUMBER 150000
UP TO SERIAL NUMBER 157999

DATE 06.07.15

DSL0407 P02A
ISSUE STATUS 04



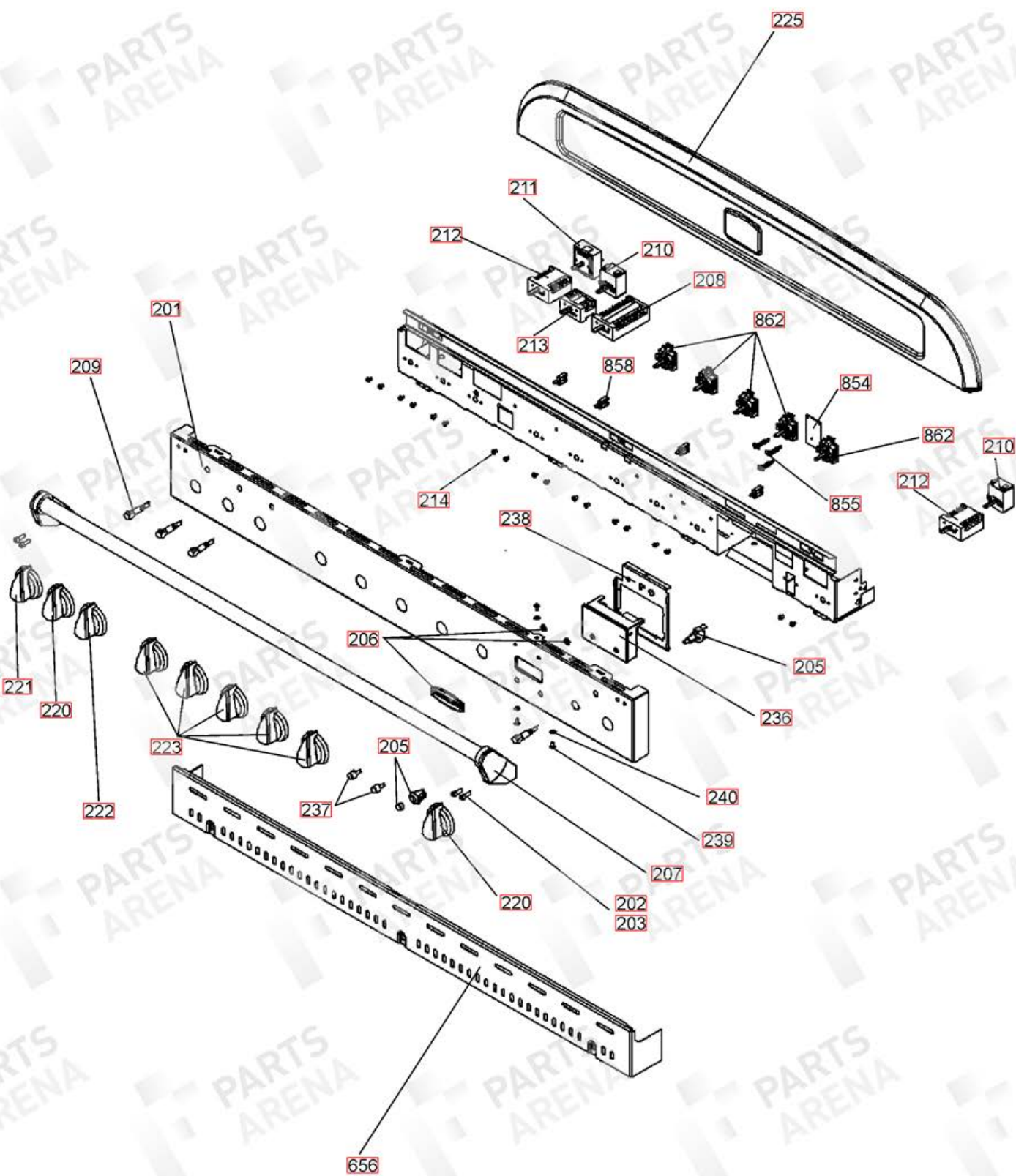
ELAN 100 INDUCTION (G5)

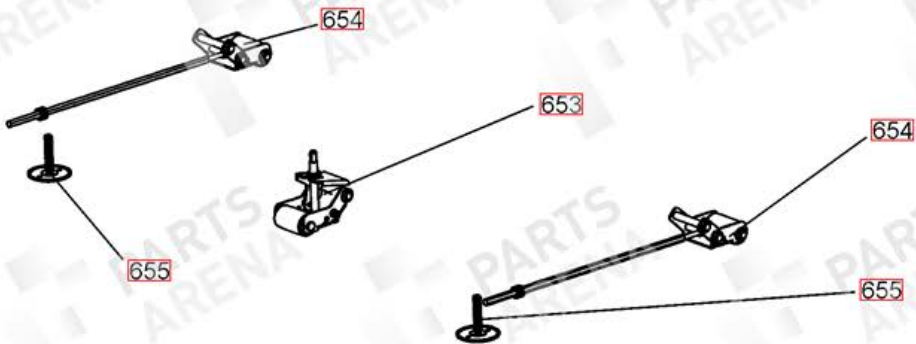
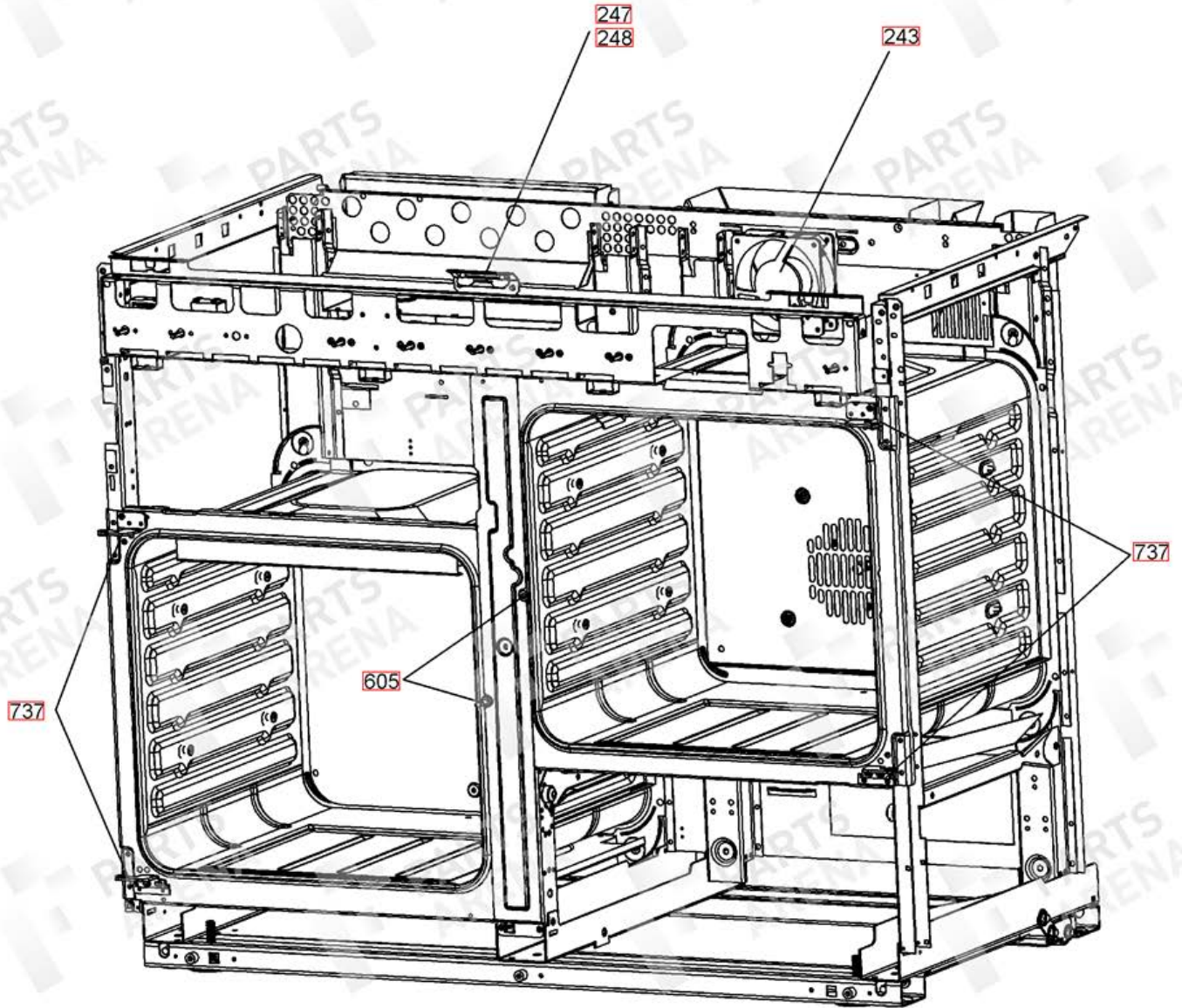
DATE 22.11.12

DSL0407 P02B

FROM SERIAL NUMBER 158000

ISSUE STATUS 01

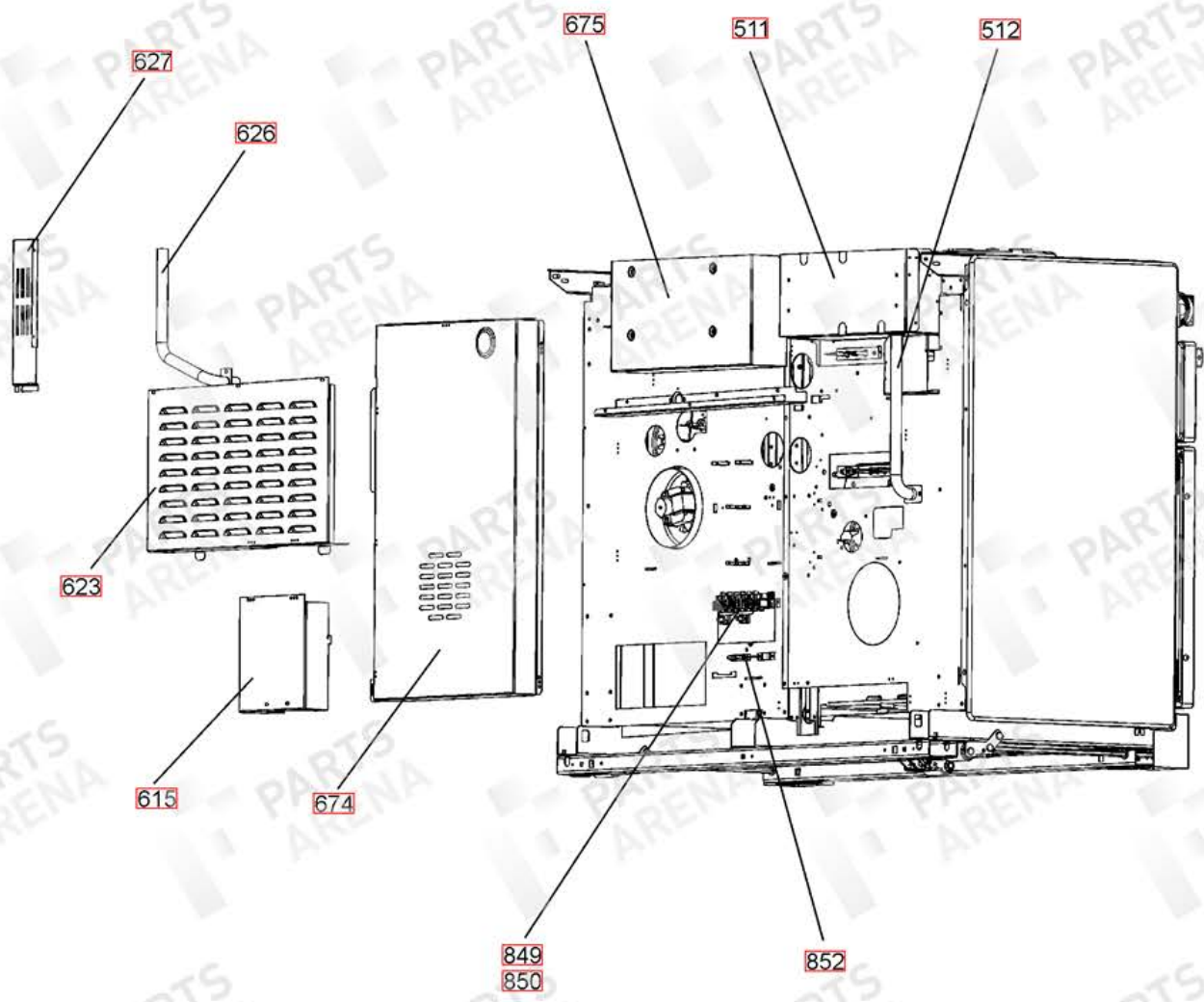




ALL MODELS
ELAN 110 INDUCTION
UP TO SERIAL No 149999

DATE 22.04.10 **DSL0407 P03A**

ISSUE STATUS 01



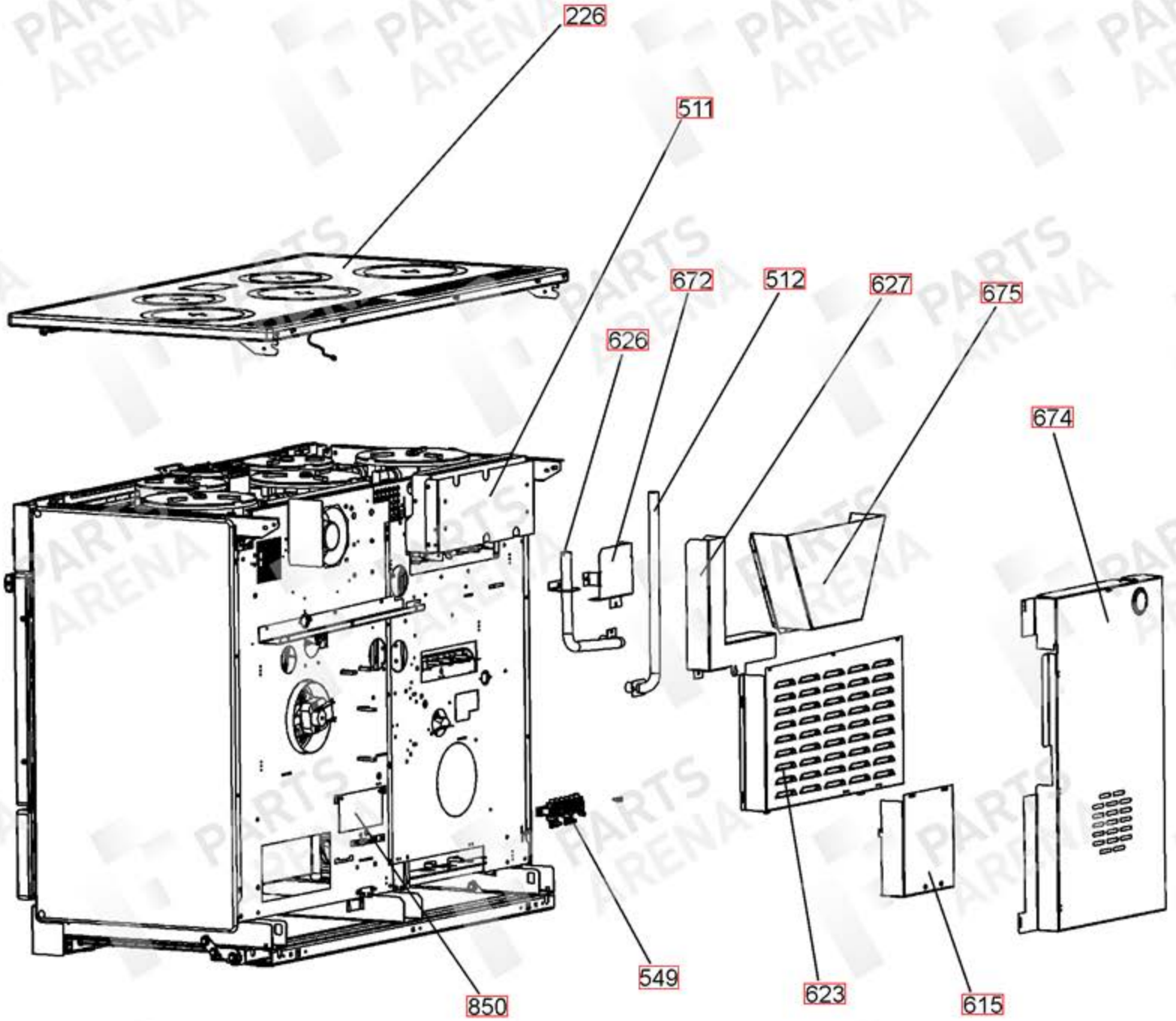
ELAN 110 INDUCTION

FROM SERIAL NUMBER 150000
UP TO SERIAL NUMBER 157999

DATE 22.11.12

DSL0407 P03B

ISSUE STATUS 02



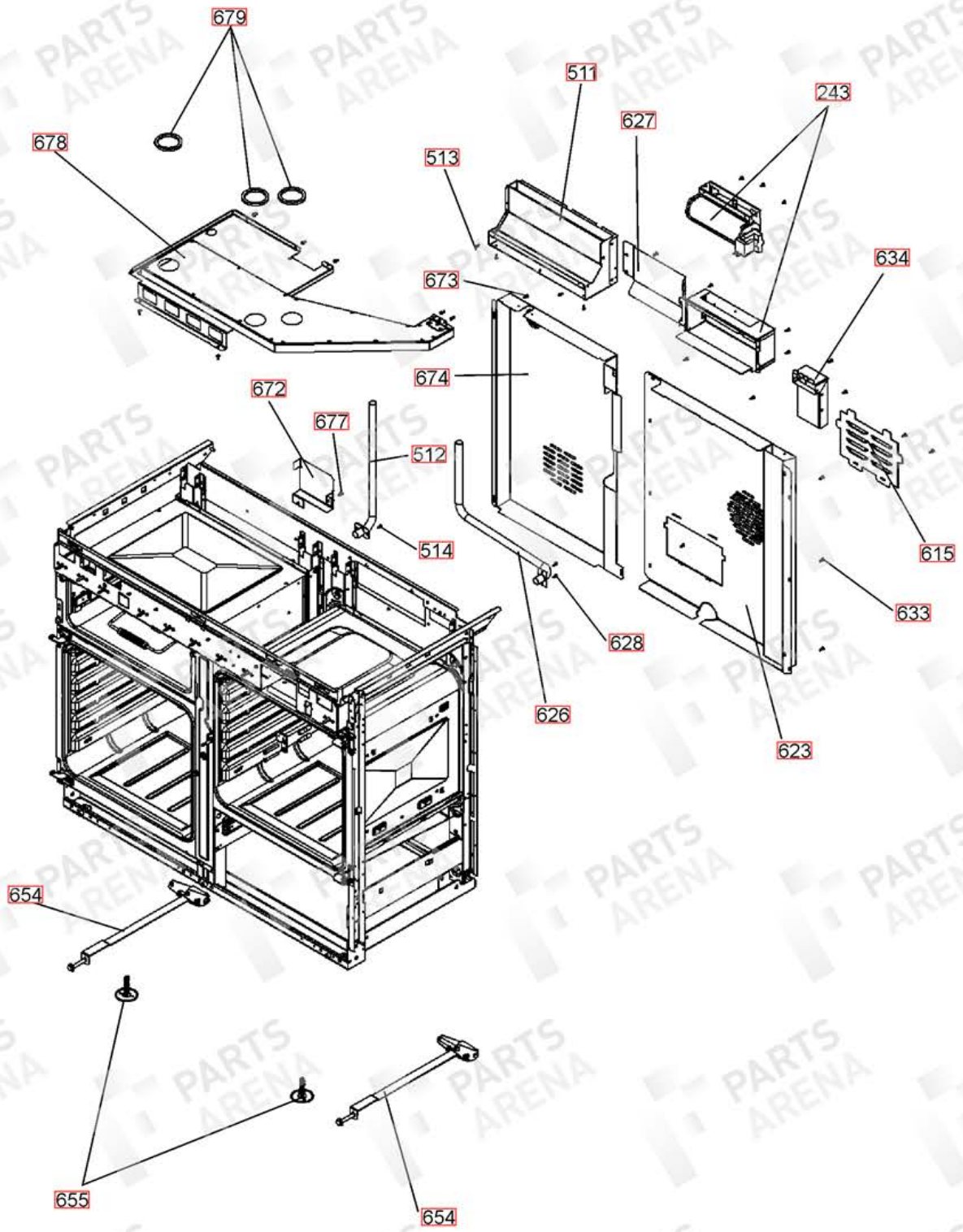
ELAN 110 INDUCTION (G5)

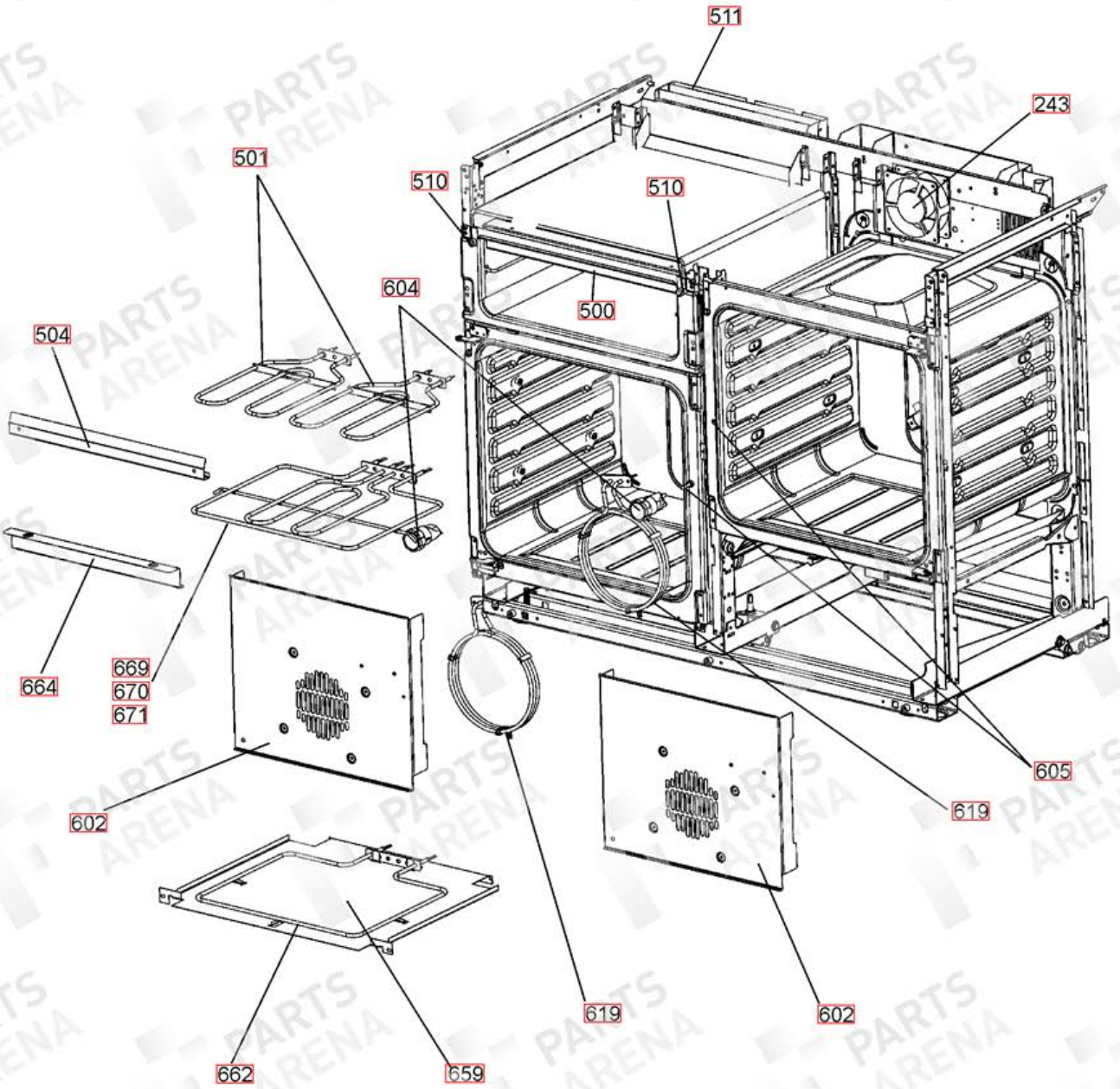
DATE 22.11.12

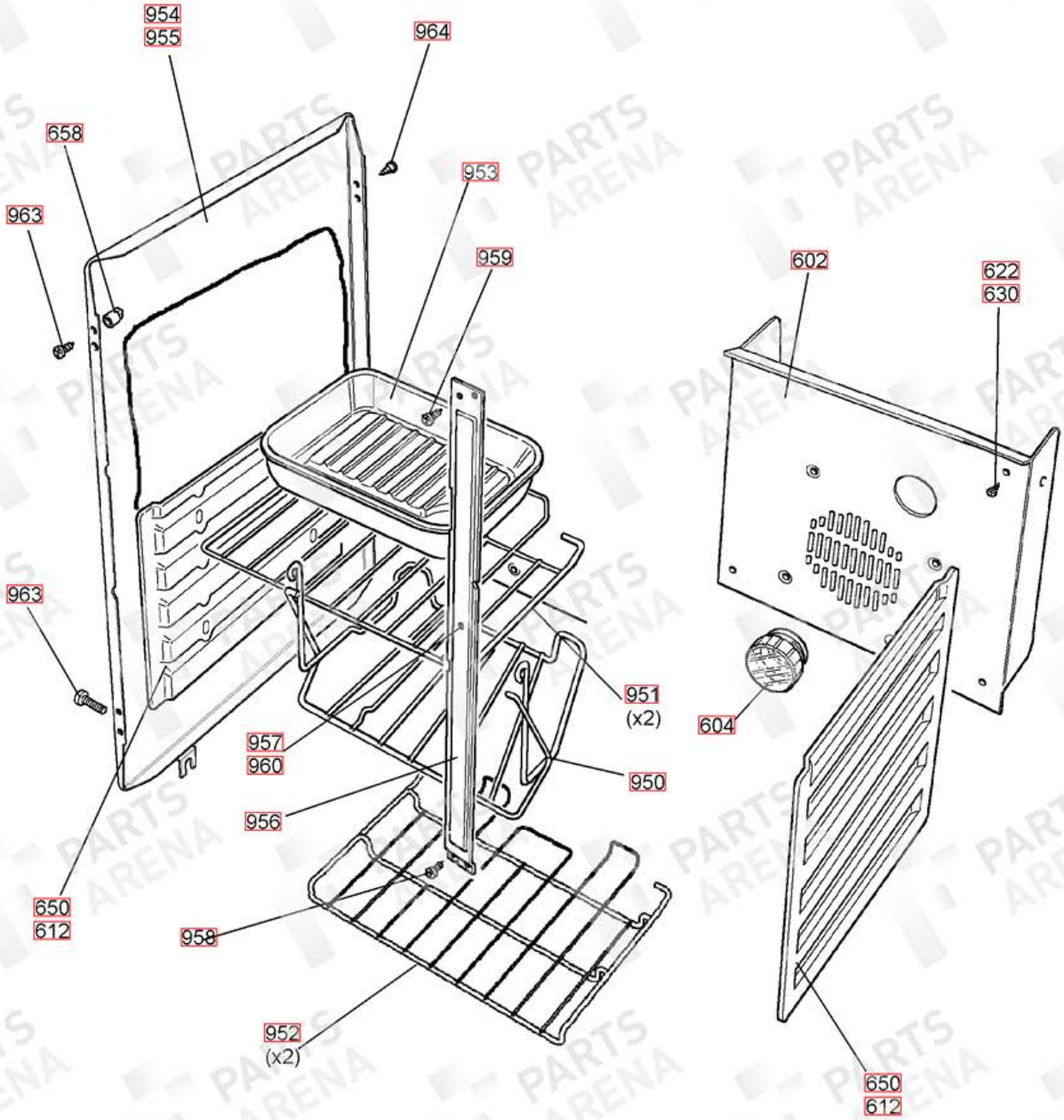
DSL0407 P03C

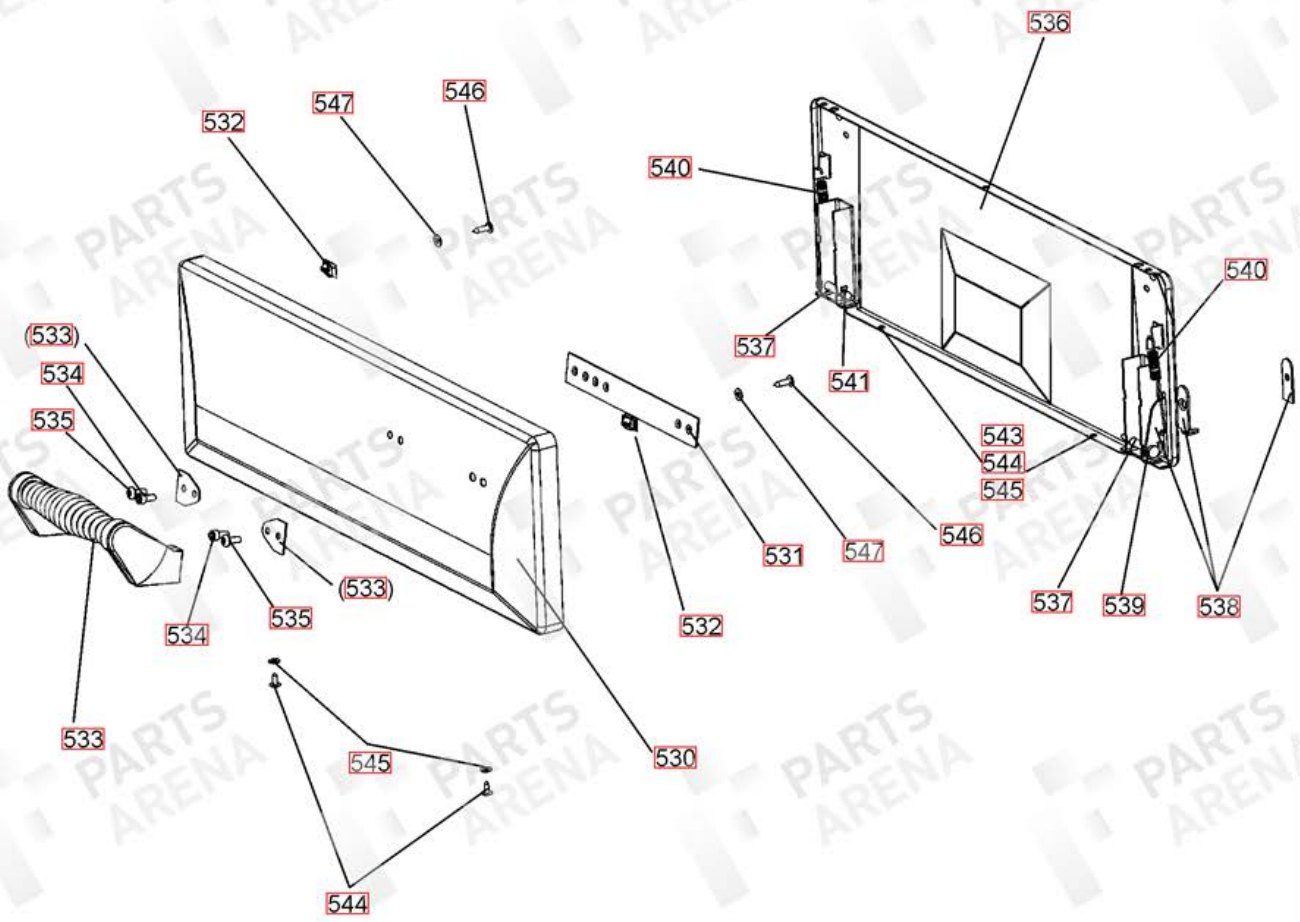
FROM SERIAL NUMBER: 158000

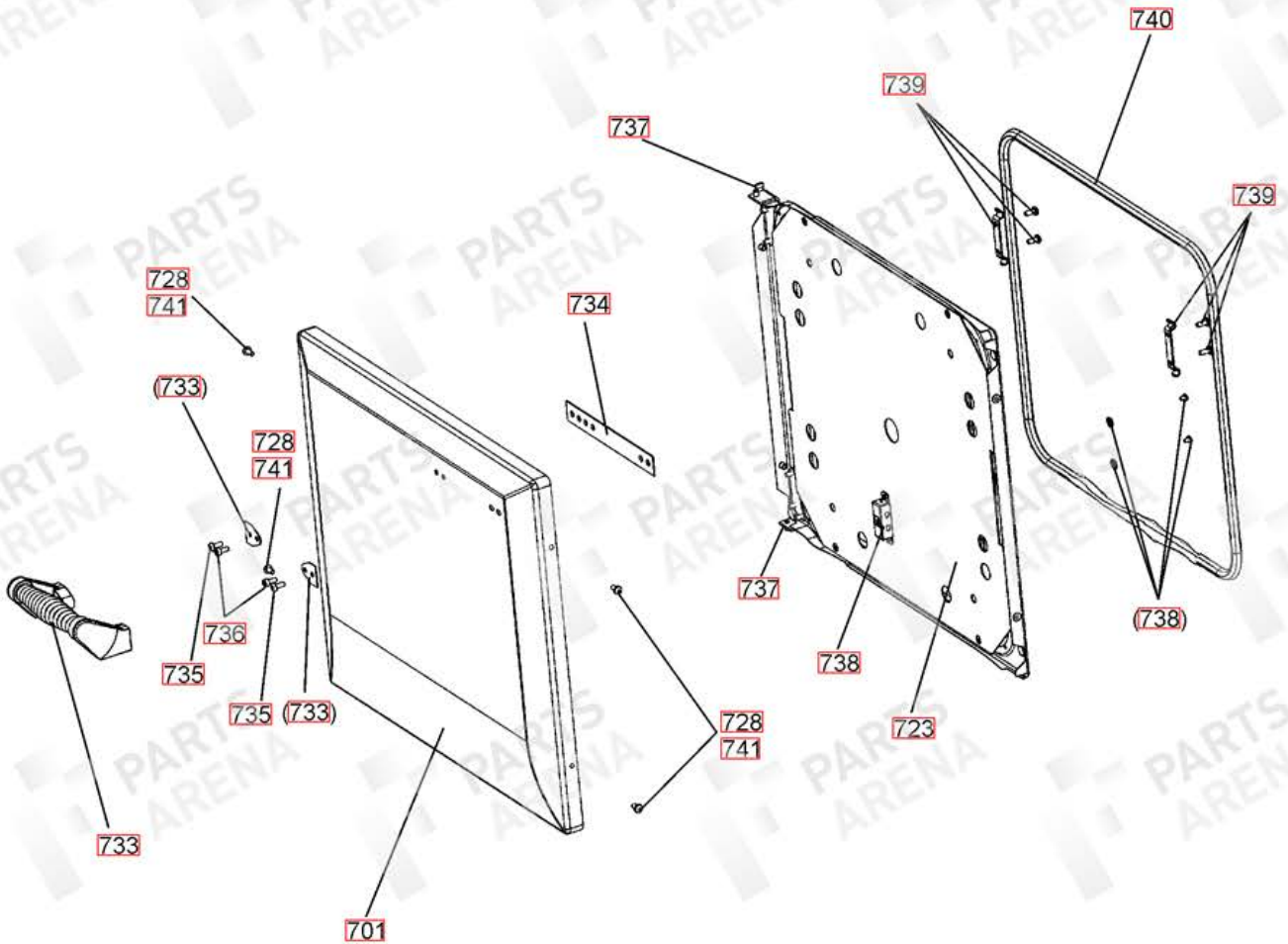
ISSUE STATUS 01

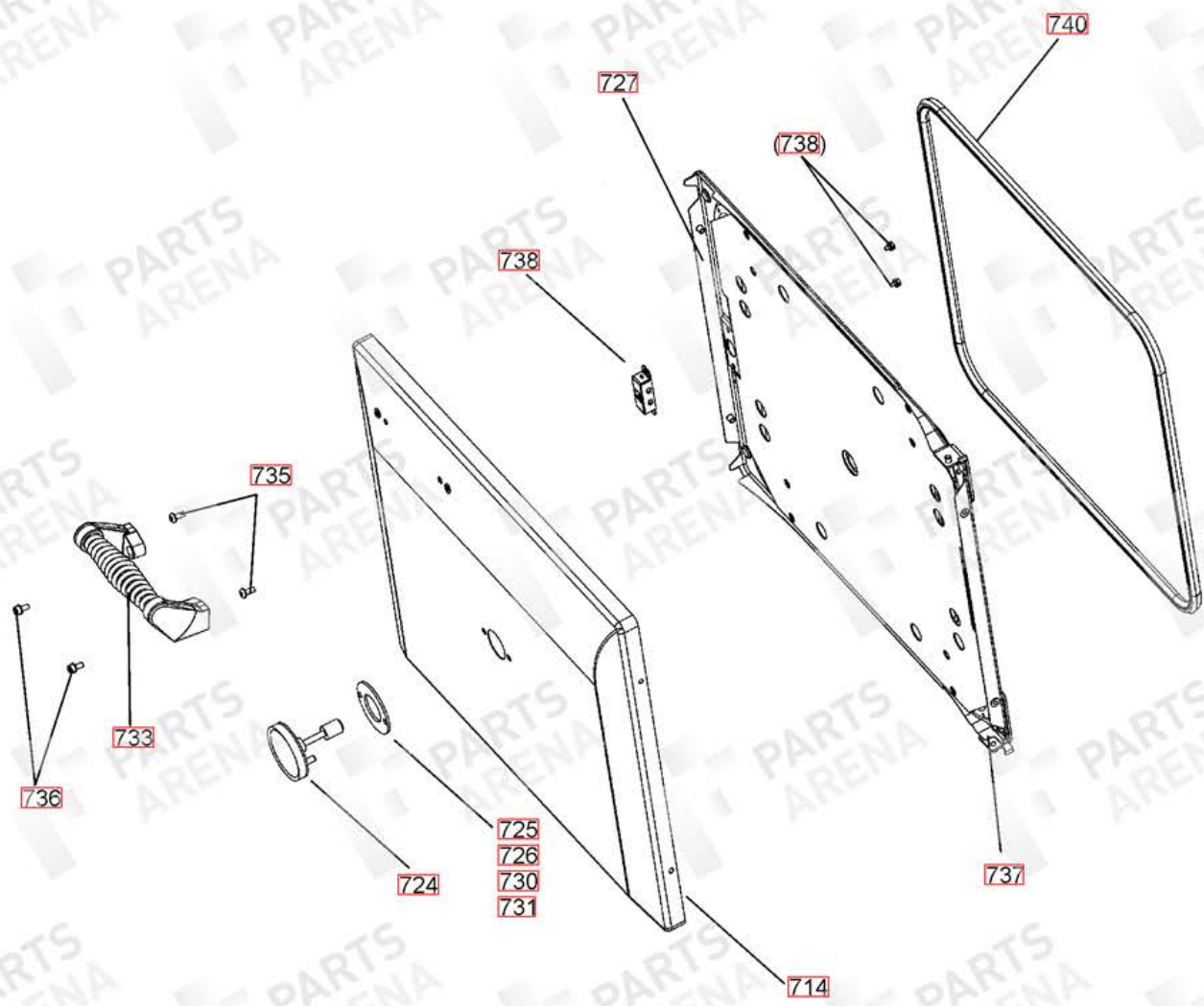




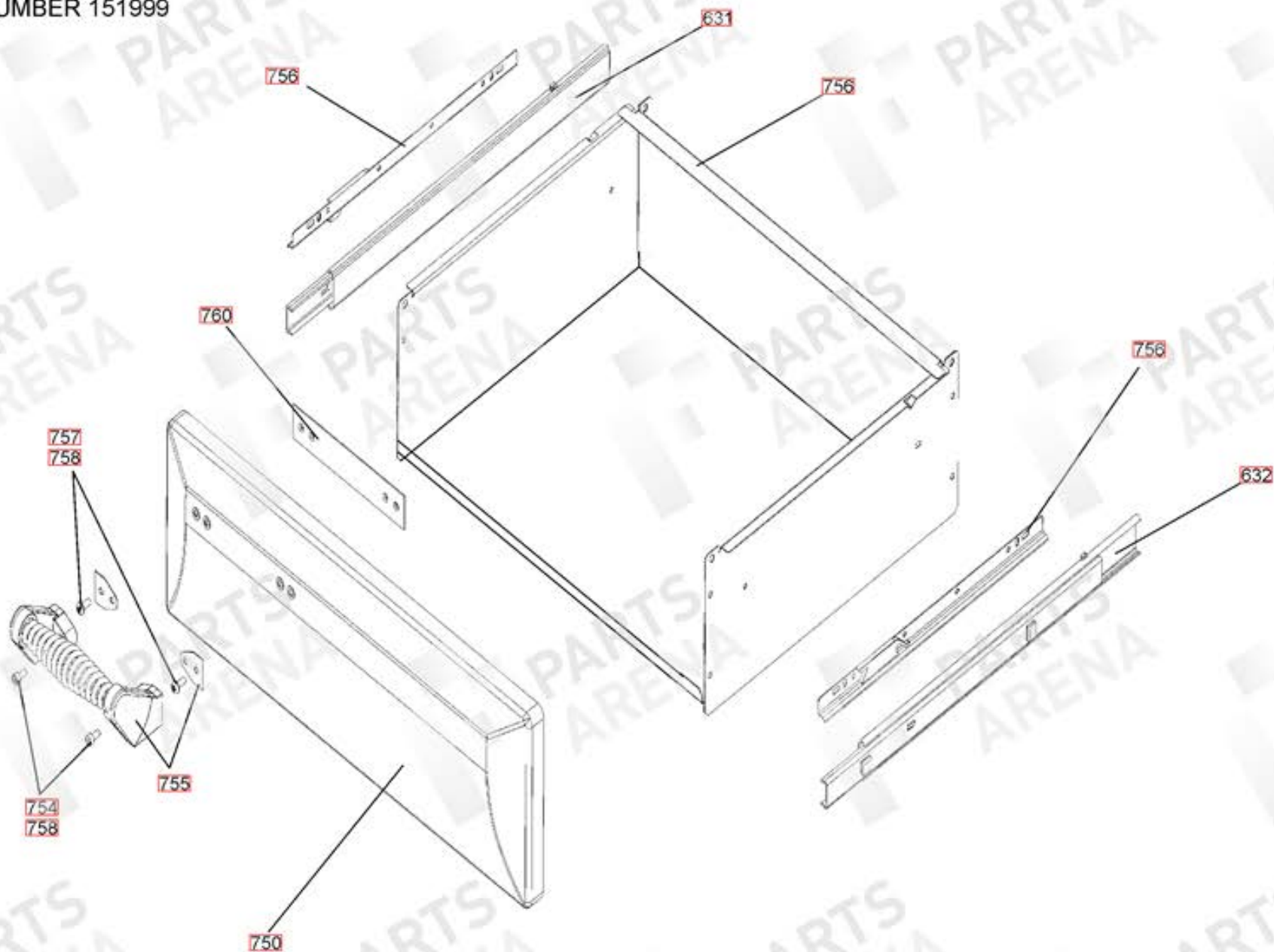




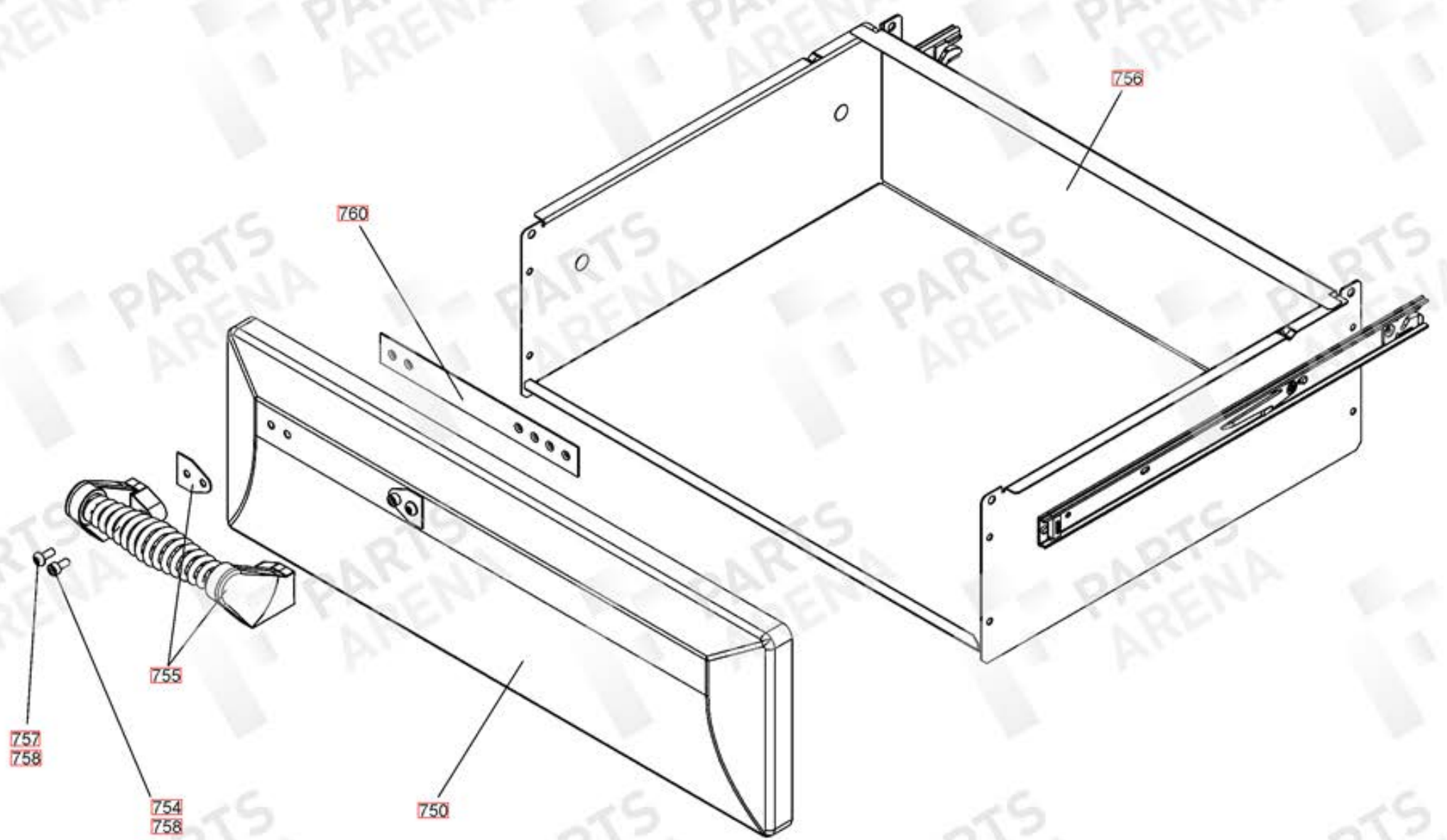


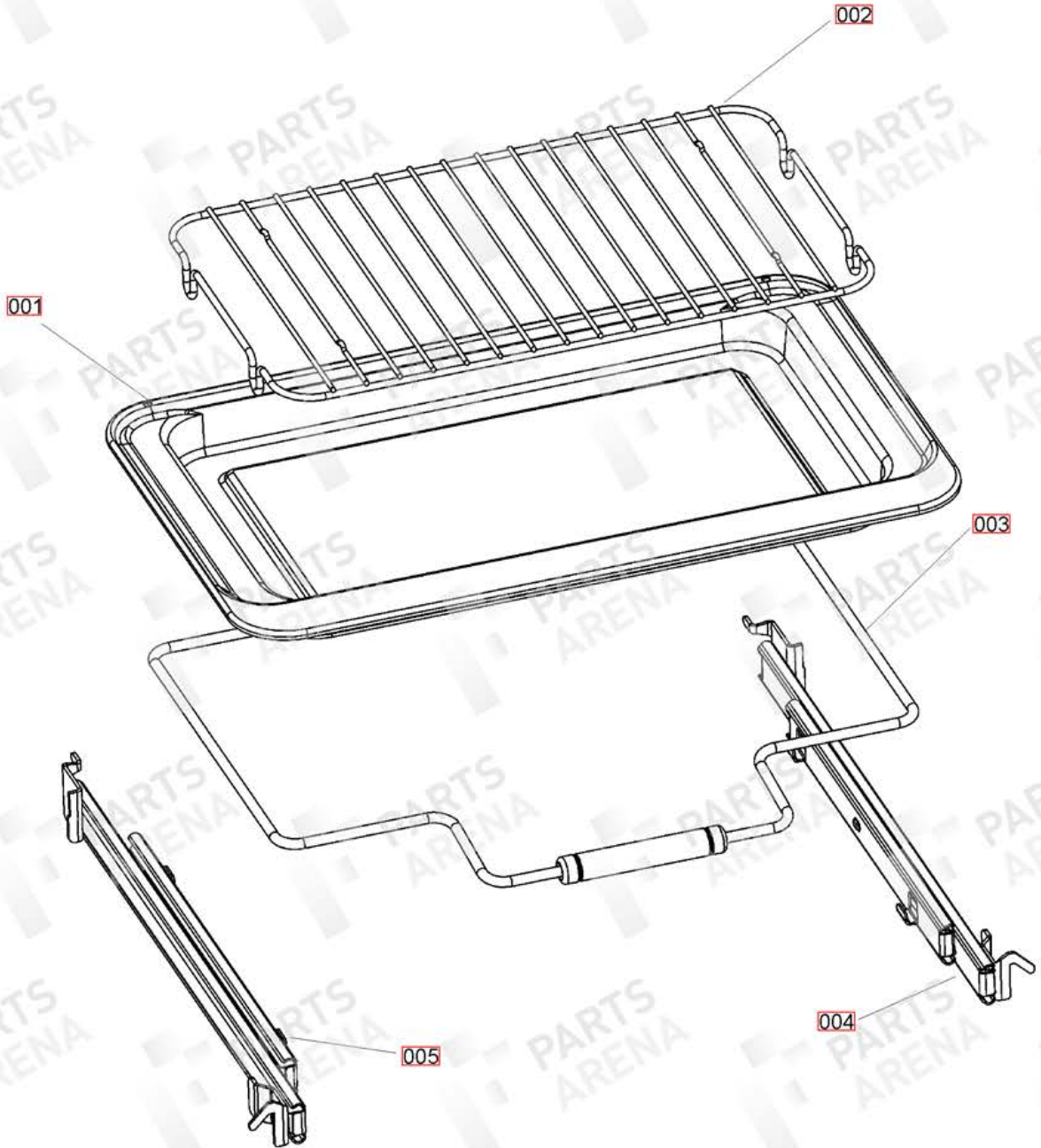


UP TO SERIAL NUMBER 151999

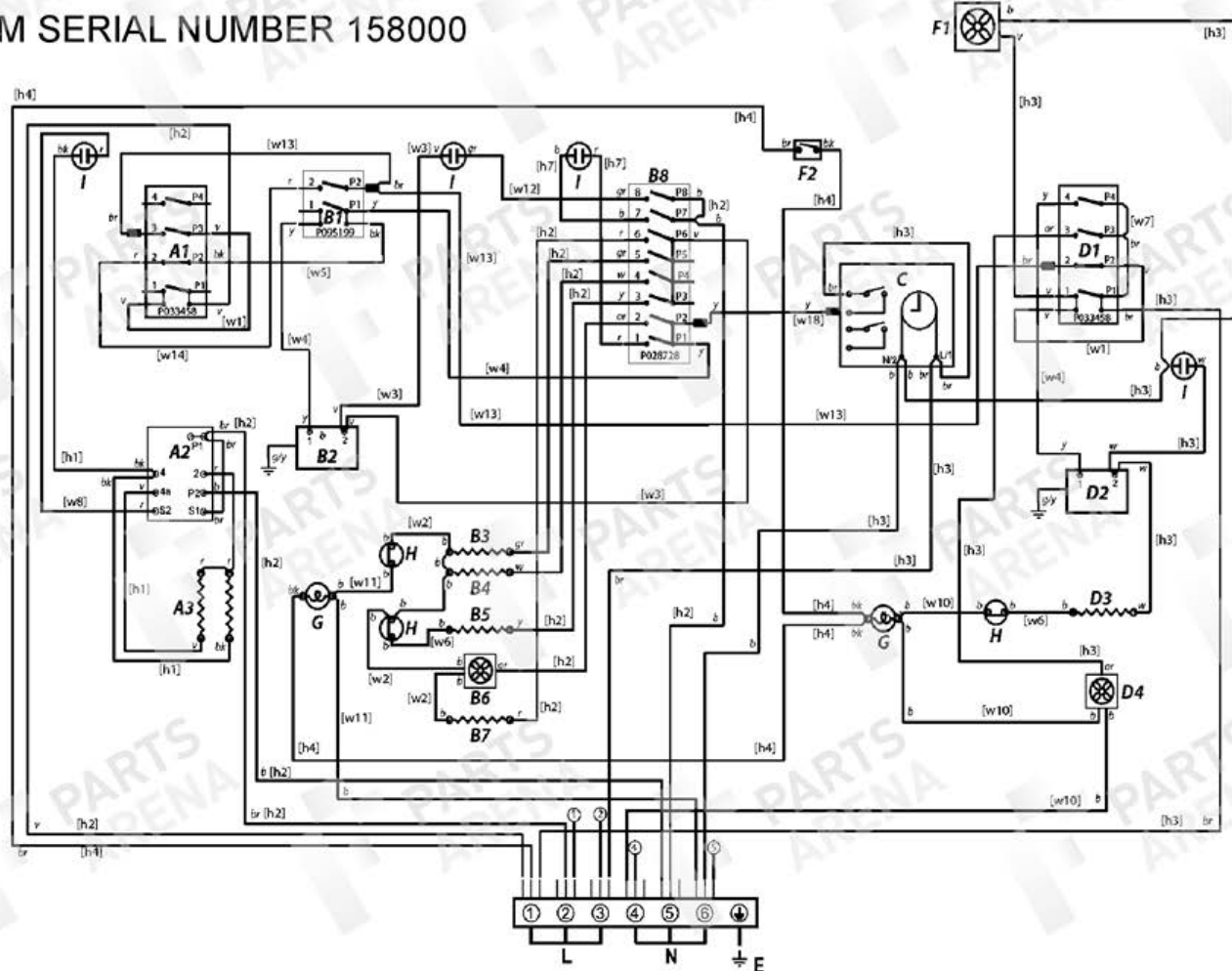


FROM SERIAL NUMBER 152000





FROM SERIAL NUMBER 158000



Ref Number	Part number	Colour	Quantity	Remarks
w1	P03386	v	2	Wire - Link Grill Front Switch and RH Oven Front Switch
w2	P03389	b	1	Wire - Neutral Link LML Function Oven
w3	P03387	v	1	Wire - Link LH Oven Thermostat to Neon and LH Oven Front Switch
w4	P03783	y	3	Wire - LH Oven Stat to Switch, LH Oven MF Switch to Front Switch, RH Oven Stat to Switch
w5	P038186	bk	1	Wire - Link LH Oven Front Switch to Grill Front Switch
w6	P040056	b	2	Wire - Neutral Link Thermal Trip LH and RH Oven
w7	P040716	br	1	Wire - RH Oven Front Switch Link
w8	P040719	r	1	Wire - Grill Neon Link and Link Grill Front Switch to LH Oven Front Switch
h9	P051796	br	1	Wire - 3 Wire L/N Connection, Interface Board to KS
h9	P043937	br	1	Wire - 4 Wire L/N Connection, Switch Position 4
h10	P043939	br	3	Wire - 4 Wire L/N Connection, Switch Position 1,2,5
h11	P043936	br	1	Wire - 4 Wire L/N Connection, Switch Position 3
w9	P042839	g/y	1	Wire - g/y Earth Link ALL cooker back
w10	P043963	b	1	Wire - Neutral Link RH Oven
w11	P043955	b	1	Wire - Neutral Link LH Oven
h1	P045880	bk/v	1	Harness - Grill Harness
h2	P045881	br/b/or/g/w/y/gr	1	Harness - LH Oven Harness
h3	P099274	br/b/or/v/w	1	Harness - RH Oven Harness
h4	P040760	br/bk	1	Harness - Oven Light Harness RH and LH Oven
h5	P052814	br/b/g/y	1	Harness - Induction Hob Supply CG 2 Phase
h6	P051839	br/b/g/y	1	Harness - Connector to Induction Hob Unit
w12	P055874	g/y	1	Wire - (N) Grill Earth Link
w19	P094543	g/y	2	Wire - (N) LH and RH Thermostat Earth Link
w17	P052073	g/y	1	Wire - (N) Protective Earth Hob to Chassis
w18	P048632	v	1	Wire - Clock to MF Switch Link, LH Oven Power
h7	P045846	b/r	1	Harness - LH Oven Neon Link
w12	P036115	gr	1	Wire - Neutral Link RH Oven Neon
w13	P040715	br	1	Wire - Cooling Fan Control - Front Switches Link
w14	P040719	r	1	Wire - Link Grill Switch to LH Oven Front Switch

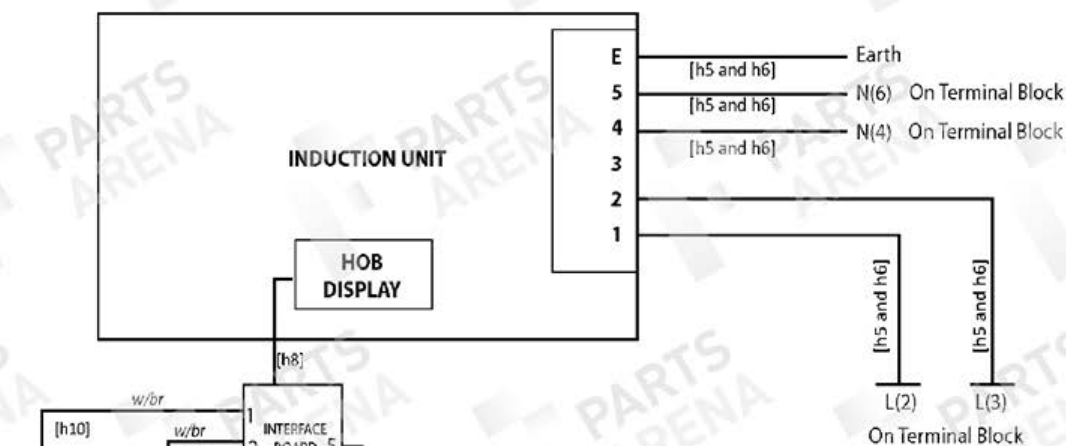
Code	Colour
b	Blue
br	Brown
bk	Black
or	Orange
r	Red
v	Violet
w	White
y	Yellow
g/y	Green/Yellow
gr	Grey

N: Not Illustrated
 w - Single Cable / Single Cable with multiple terminations
 h - Harness Assembly (including Single Wires that are Sheathed)

Code	Description
D1	Right hand Oven Front Switch
D2	Right Hand Oven Thermostat
D3	Right Hand Oven Fan Element
D4	Right hand Oven Fan
F2	Light Switch
G	Light LH Oven
G	Light RH Oven
I	Neon
H	Thermal cut-out
F1	Cooling Fan

Code	Description
A1	Grill Front Switch
A2	Grill Energy Regulator
A3	Grill Elements
B1	Left-Hand Oven Thermostat Front Switch
B2	Left-Hand Oven Thermostat
B3	Multi-function oven top element (outer pr.)
B4	Multi-function oven top element (inner pr.)
B5	Multi-function oven fan element
B6	Multi-function oven fan
B7	Multi-function oven base element
B8	Multi Function Switch

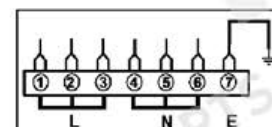
FROM SERIAL NUMBER 158000



KEY

1	Front left
2	Rear left
3	Rear right
4	Front right
5	Centre
w/br	White or Brown

Ref Number	Part number	Colour	Quantity	Remarks
[h10]	P043939	br	3	Harness - Rotary Control 1,2 and 5
[h9]	P043937	br	1	Harness - Rotary Control 4
[h11]	P043936	br	1	Harness - Rotary Control 3
[h8]	P051786	br	1	Harness - LIN Connection KE to Interface Board
[h6]	P051839	br/b/g	1	Harness - MAINS POWER - CONNECTOR BLOCK - INDUCTION UNIT
[h5]	P052814	br/b/g	1	Harness - MAINS POWER - TERMINAL BLOCK - CONNECTOR BLOCK



110 cm
INDUCTION UNIT