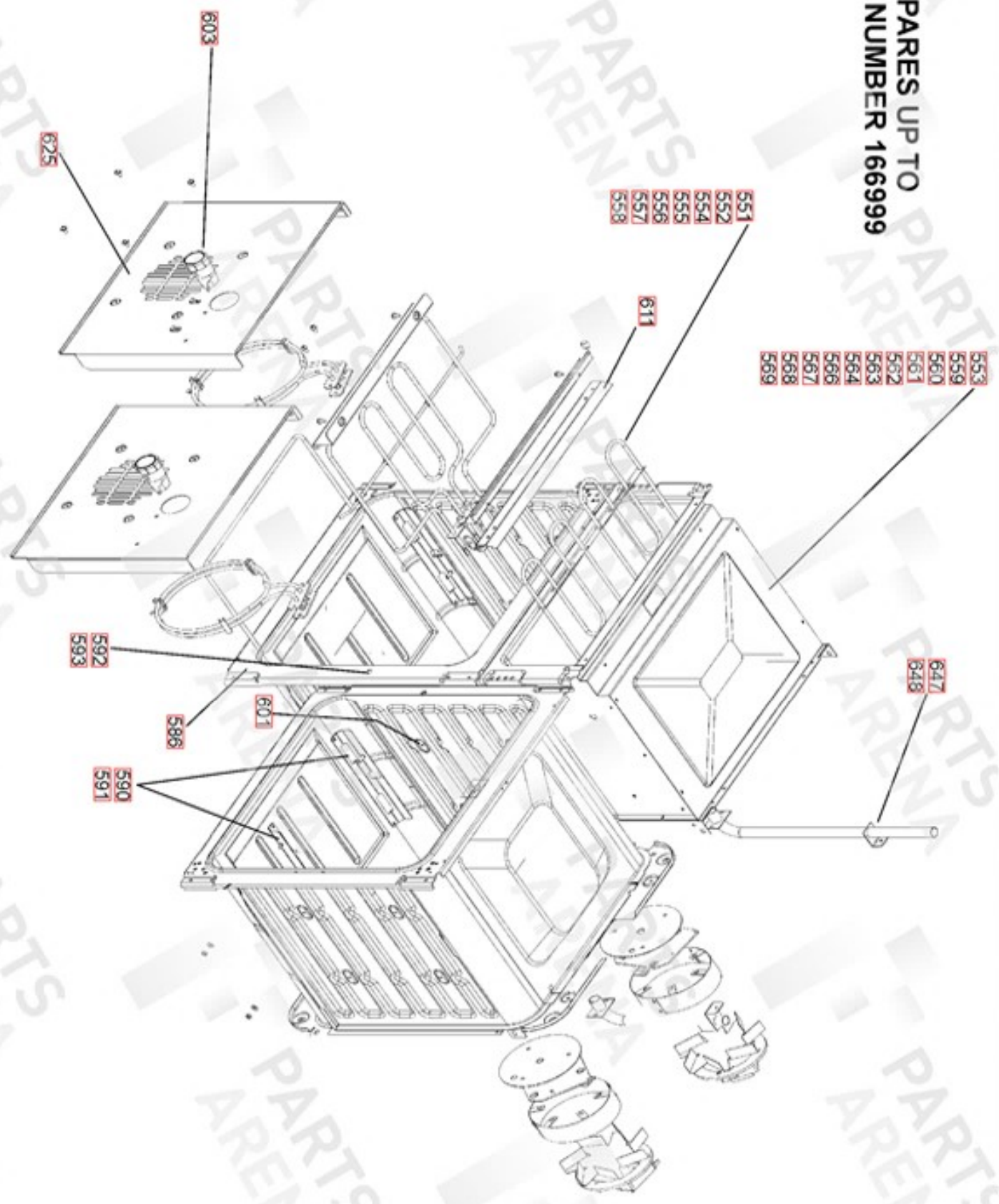
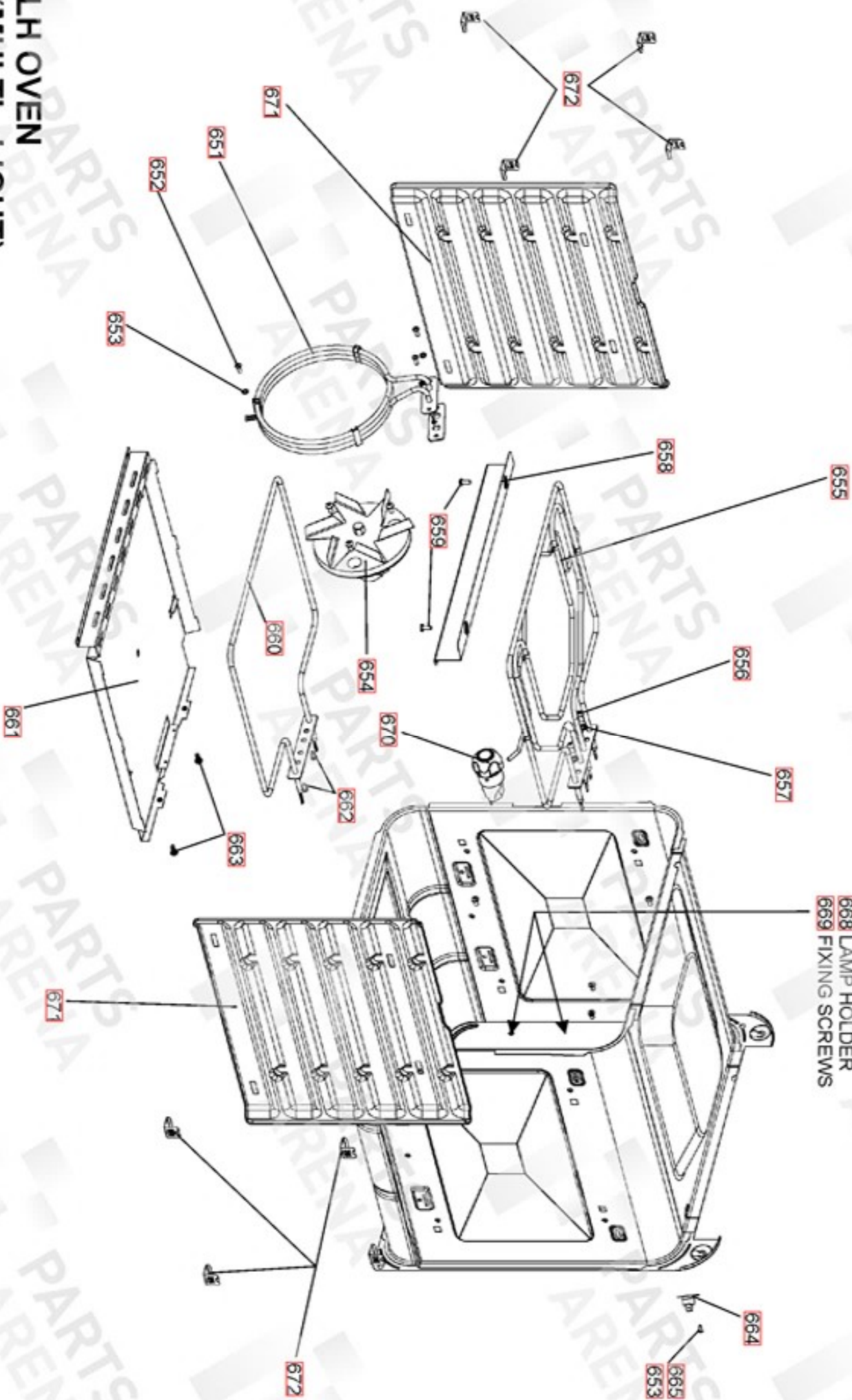


SIHOB16.BMP

OVEN SPARES UP TO
SERIAL NUMBER 166999



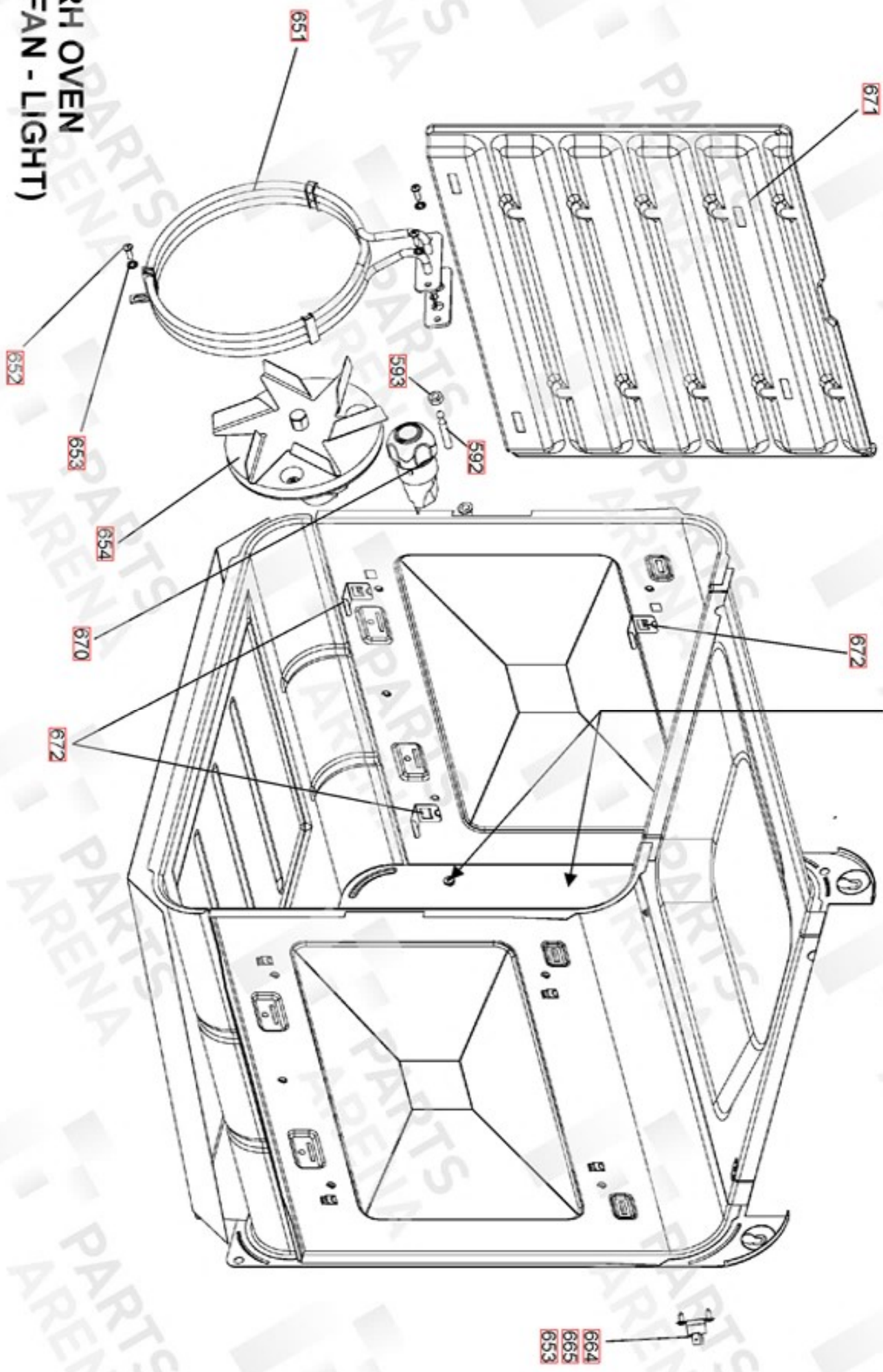
LH OVEN
(MULTI - LIGHT)



FROM SERIAL NUMBER 167000

- 666 OVEN BAFFLE
- 667 FIXING SCREWS
- 668 LAMP HOLDER
- 669 FIXING SCREWS

RH OVEN
(FAN - LIGHT)



598
599
800

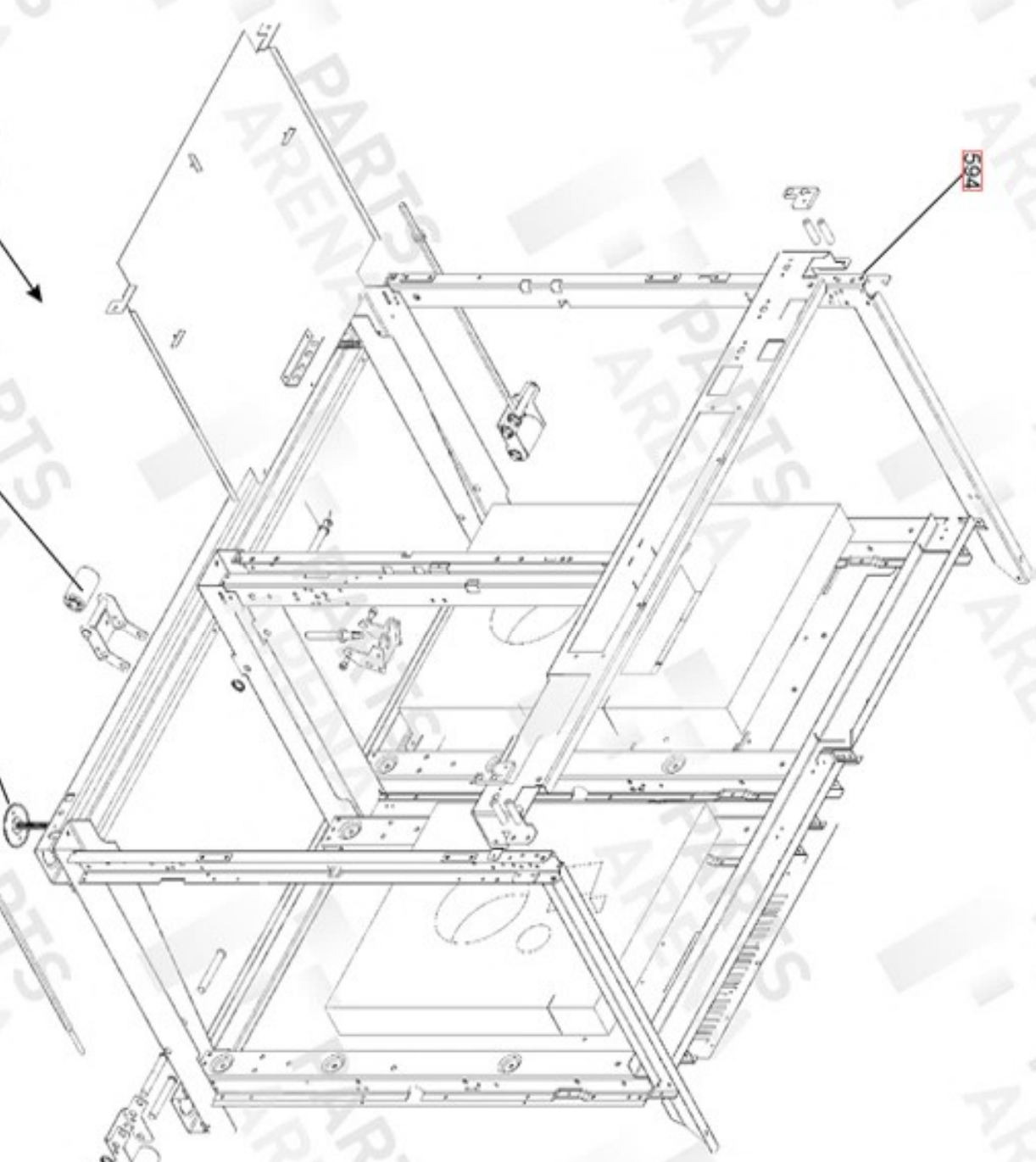
PLINTH

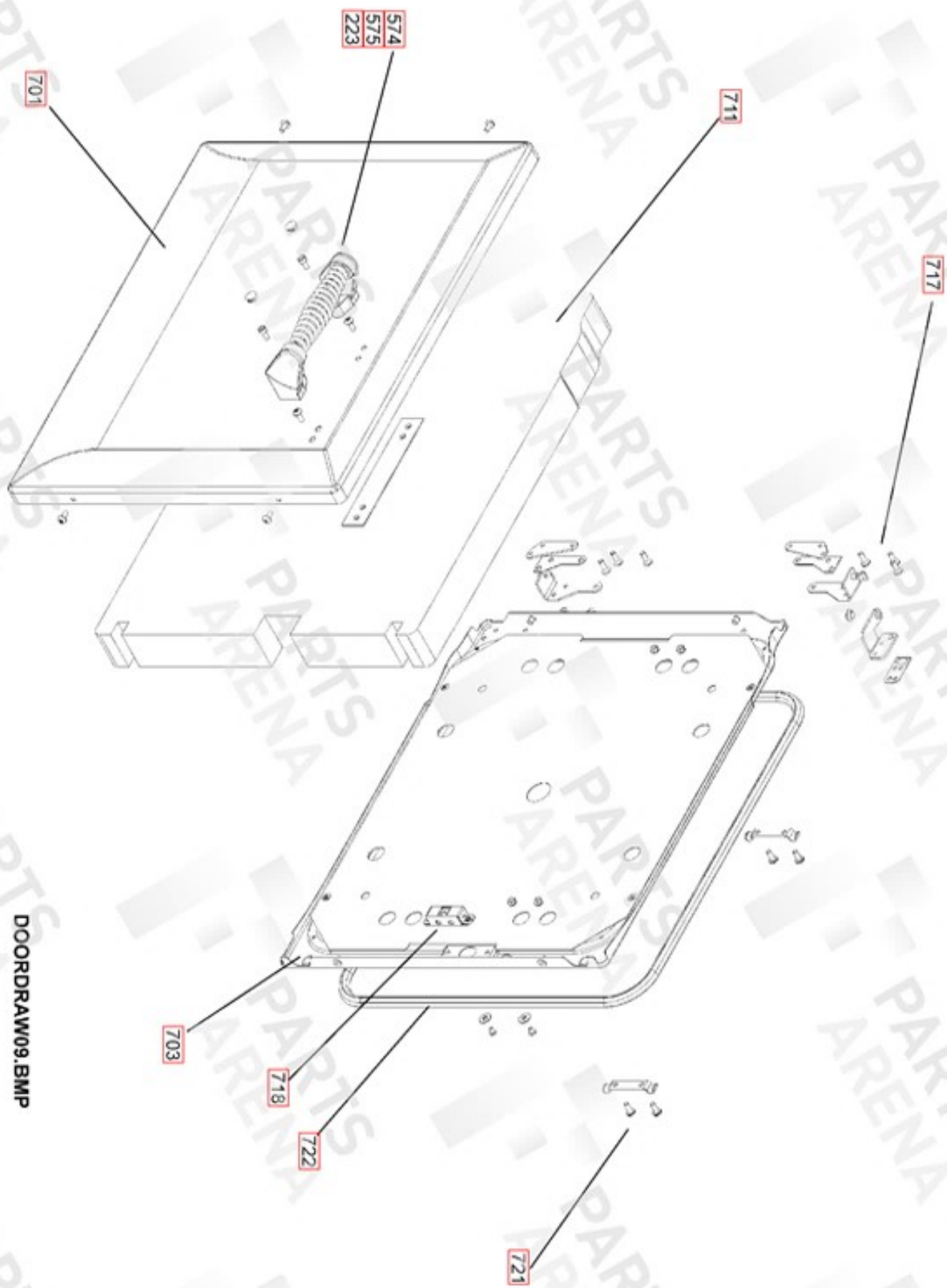
595
UP TO
SER No 155999

594

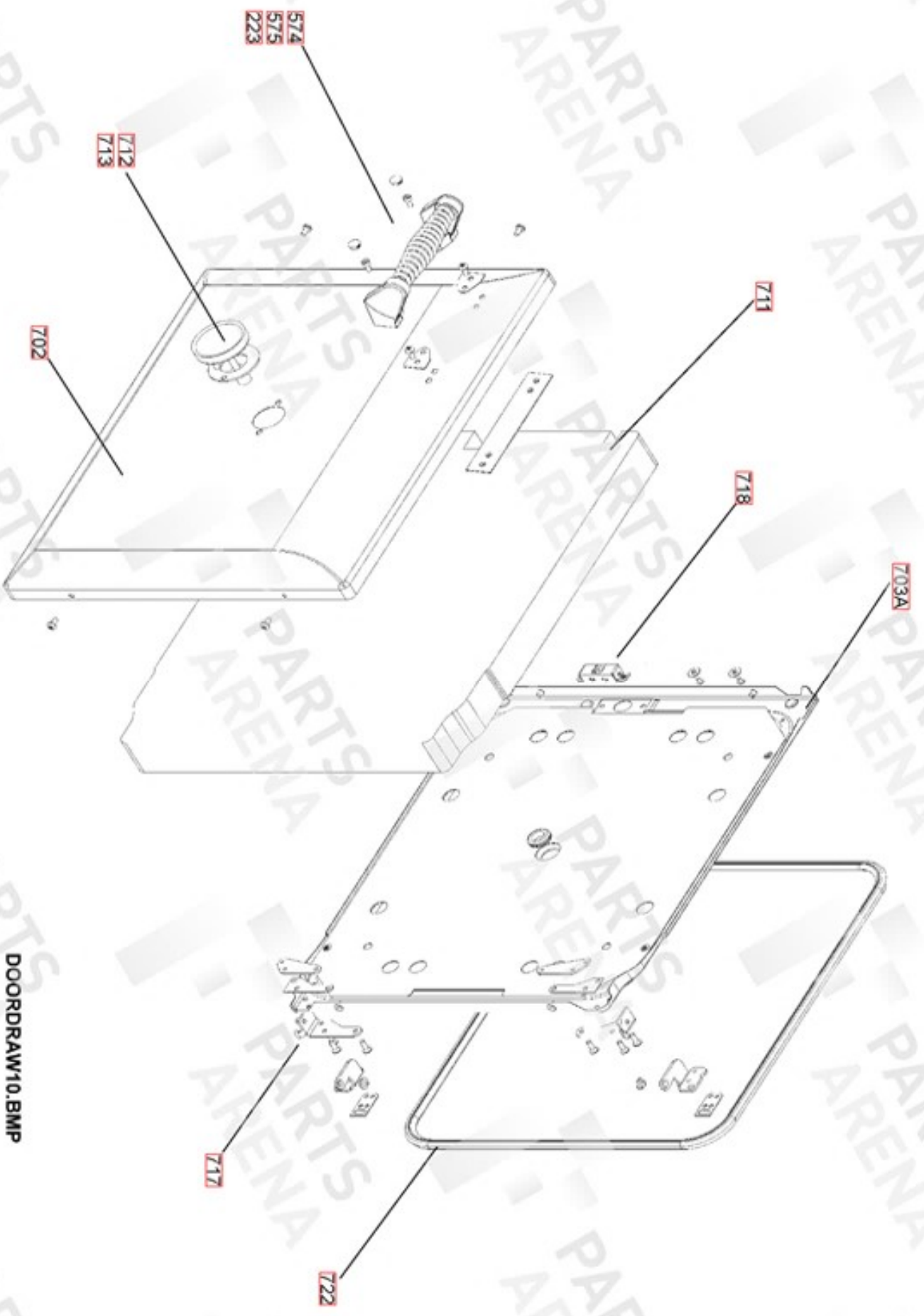
597

596

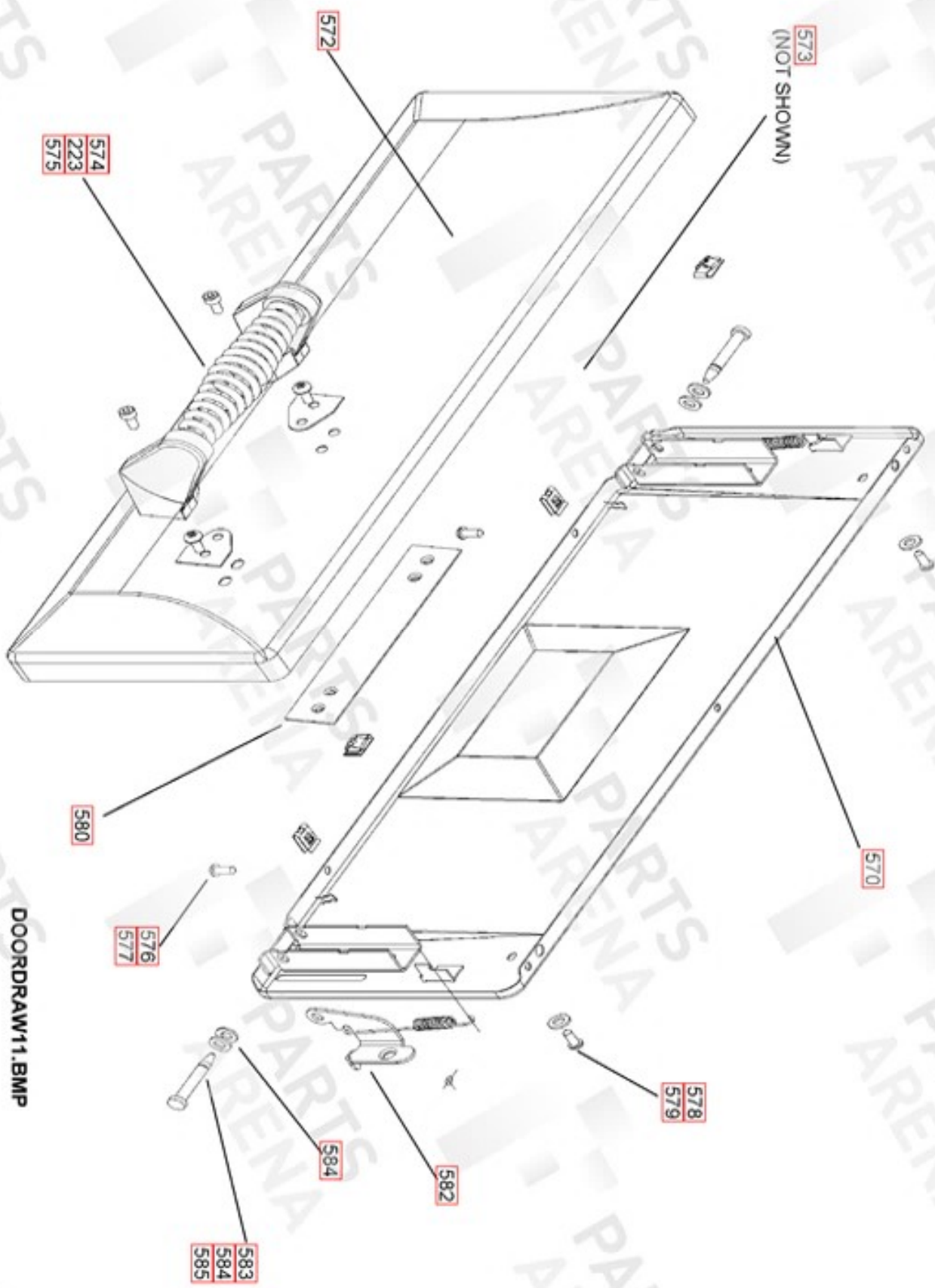




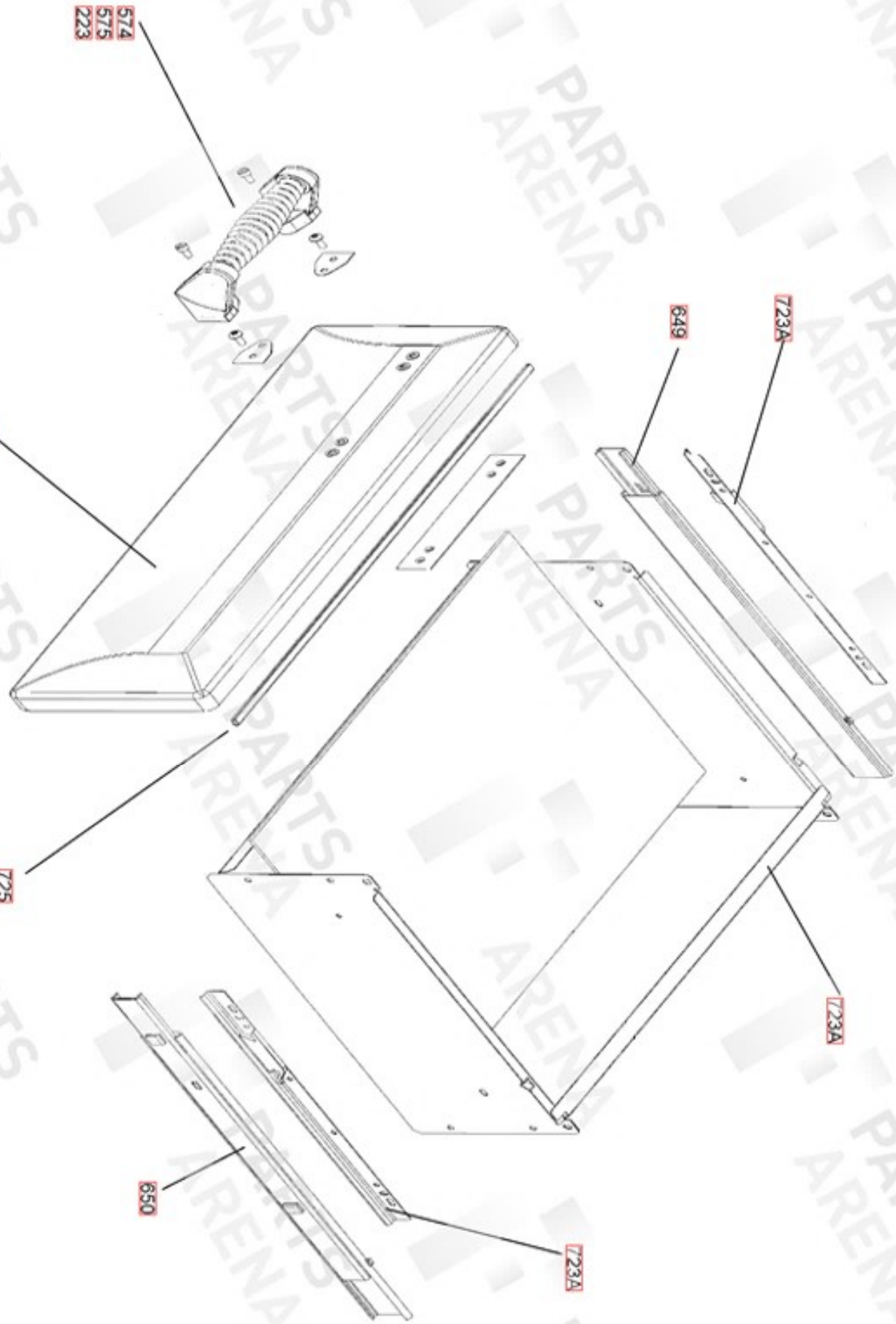
DOORDRAW09.BMP

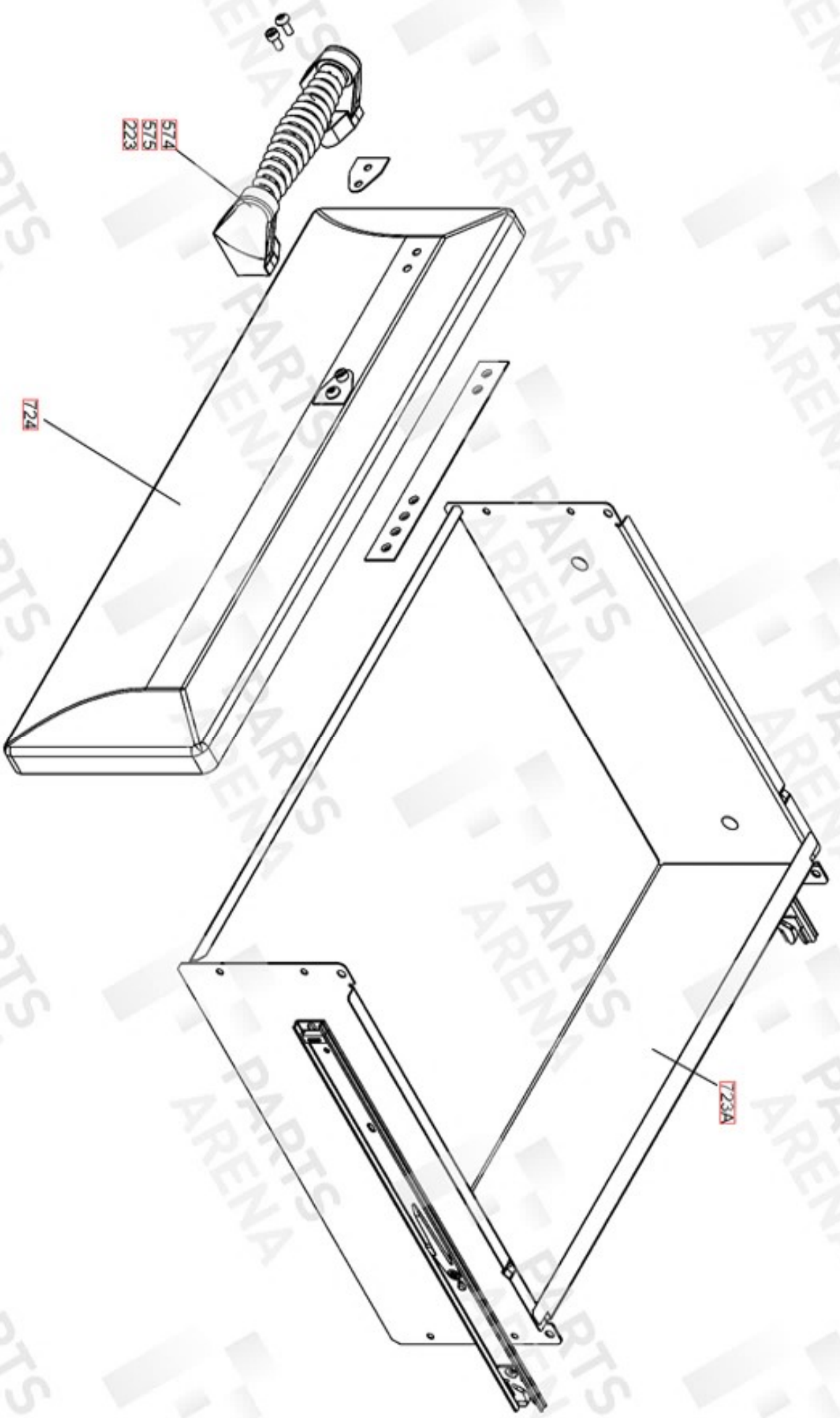


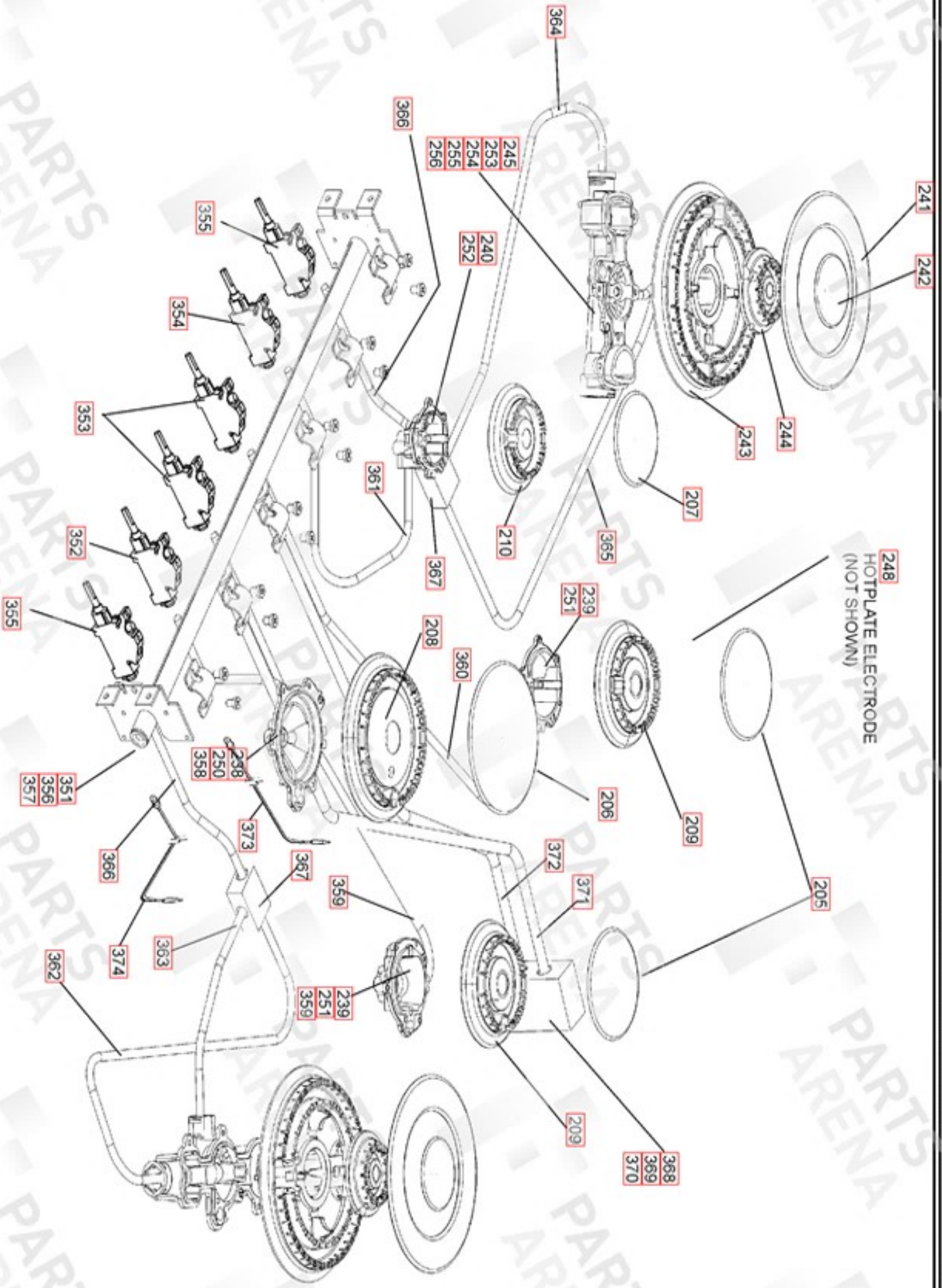
DOORDRAW10.BMP

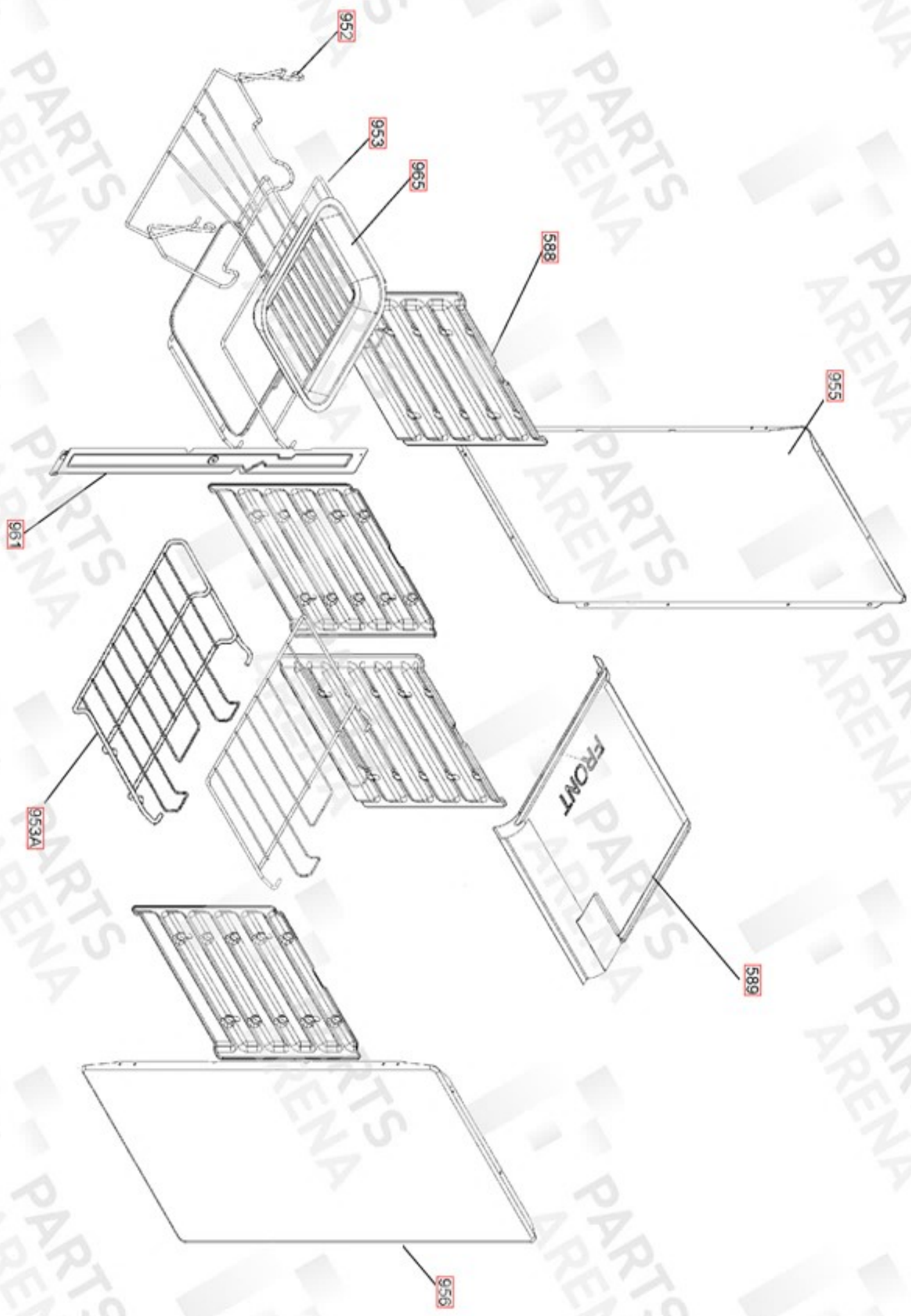


DOORDRAW11.BMP

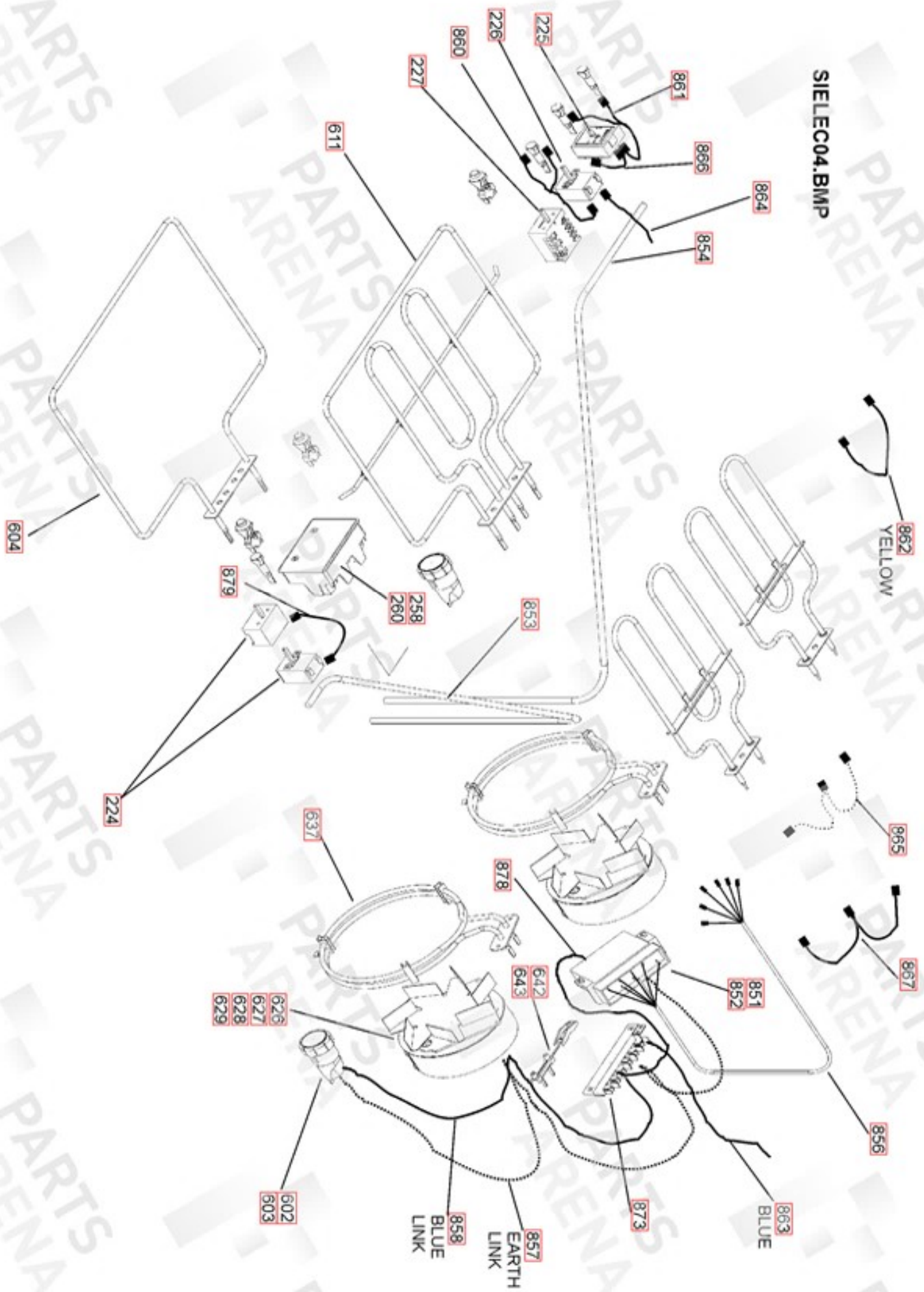


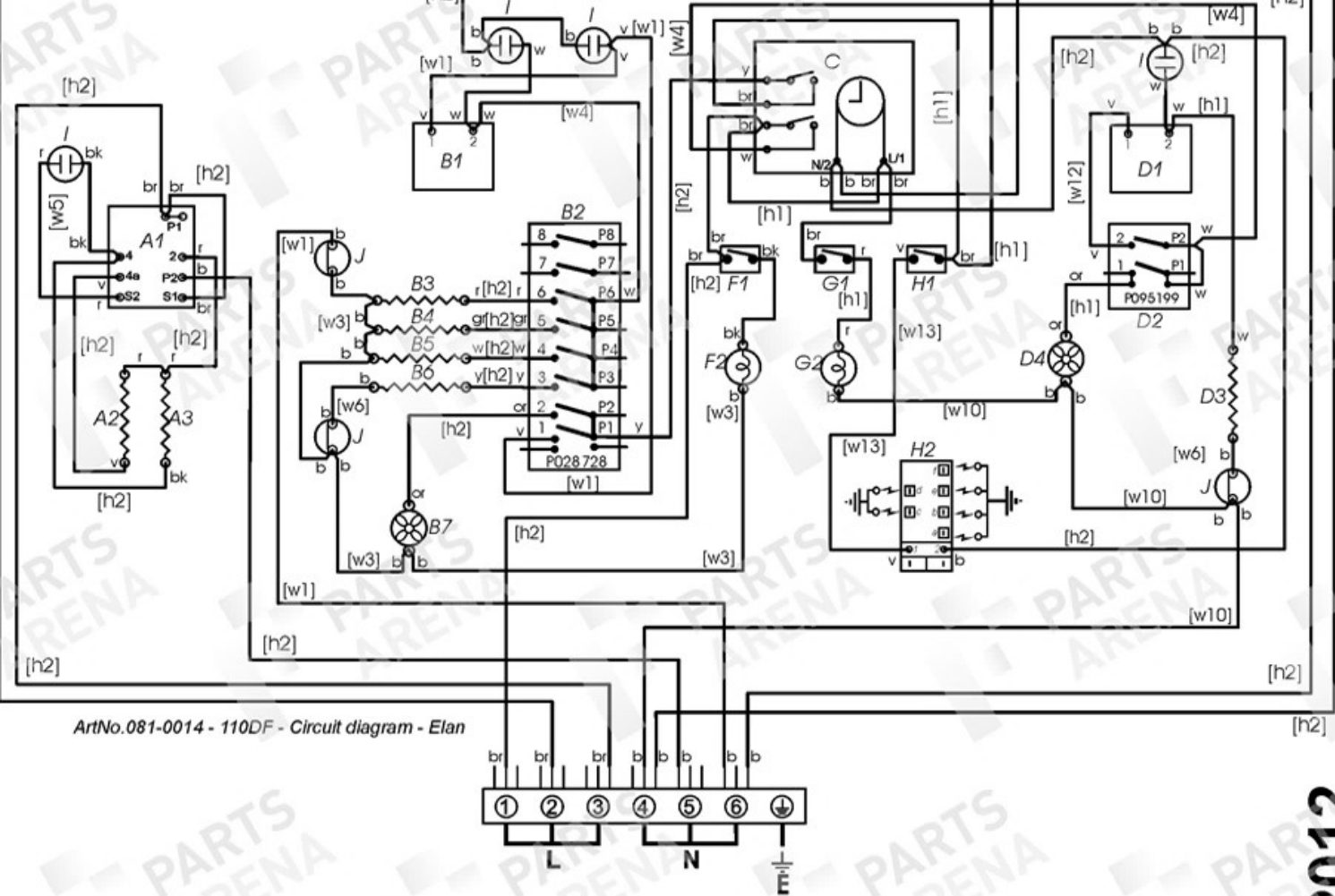






SIELEC04.BMP





ArtNo.081-0014 - 110DF - Circuit diagram - Elan

Ref Number	Part number	Quantity	Remarks
[h1]	P049293	1	Harness Assembly - RH Oven harness
[h2]	P035621	1	Harness Assembly - Grill harness
[w1]	P033367	1	Wire - LH oven link Switch/Neon/T/Stat
[h3]	P049242	1	Harness Assembly (NI) - HT Harness
[w2]	P026793	1	Wire (NI) - REAR EARTH LINK
[w3]	P026792	1	Wire - LH OVEN NEUTRAL LINK
[w4]	P095565	2	Wire - NEON T/STAT SWITCH
[w5]	P094951	1	Wire - ENERGY REG / NEON LINK
[w6]	P040066	2	Wire - Thermal cut out links
[w7]	A094946	1	Wire - Neutral link LH Oven to Terminal Block
[w8]	P094943	1	Wire (NI) - T/STAT EARTH
[w9]	P055374	2	Wire (NI) - GRILL Element Earth
[w10]	P025995	1	Wire - NEUTRAL LINKS BACK
[w11]	P025654	1	Wire (NI) - Earth Hot Plate
[w12]	P033086	1	Wire - RH OVEN STAT/SWITCH link
[w13]	P049291	1	Wire - Ignition switch to generator
[w14]	P049292	1	Wire (NI) - HT Wire Assembly
[w15]	P033676	1	Wire (NI) - Earth link RH Oven

NI Not Illustrated

w - Single Cable / Single Cable with multiple terminations

h - Harness Assembly (Including Single Wires that are Sheathed)

Code	Description
A1	Grill energy regulator
A2	Grill element left hand side
A3	Grill element right hand side
B1	Left hand oven thermostat
B2	Left hand oven switch
B3	Left hand oven base element
B4	Left hand oven top element
B5	Left hand oven browning element
B6	Left hand oven fan element
B7	Left hand oven fan
C	Clock /Oven Timer

Code	Description
D1	Right hand thermostat
D2	Right hand oven switch
D3	Right hand oven element
D4	Right hand oven fan
F1	Oven Light switch LH oven
F2	Oven Light LH oven
G1	Oven Light switch RH Oven
G2	Oven Light RH oven
H1	Ignition switch
H2	Spark ignition generator
J	Neon

Code	Colour
b	Blue
br	Brown
bk	Black
or	Orange
r	red
v	violet
w	White
y	yellow
gr	Grey

DSL0188 P012
ISSUE STATUS 01 DATE 21.01.10

FAL ELAN 110 DF/NG
EU/FSD AUSTR
FROM SERIAL NUMBER 126000