

APPLIANCE NAME: ALL MODELS
ELAN CERAMIC 110 - FALCON

DATE 18.01.05

DSL0268 P00
ISSUE STATUS 01

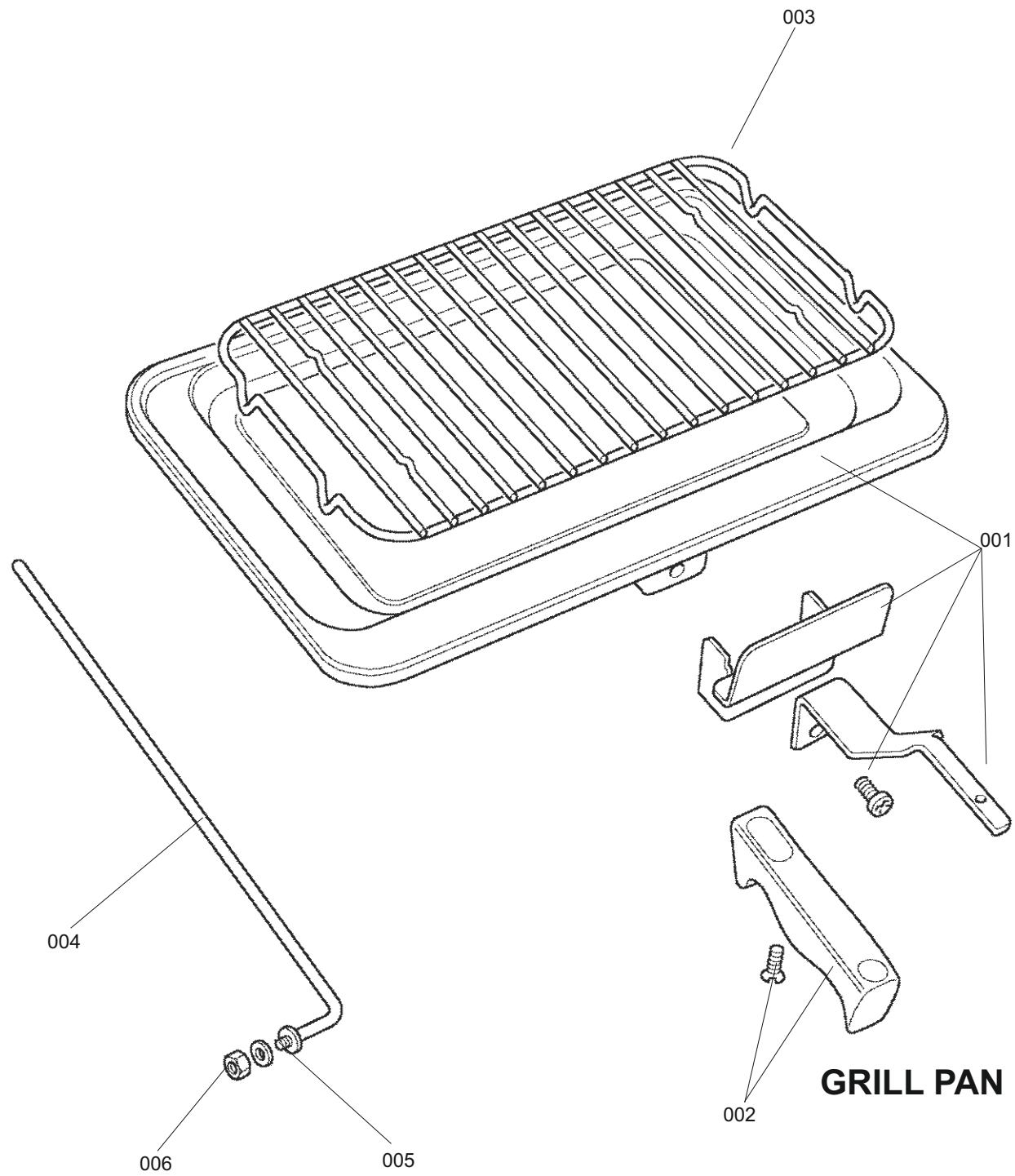


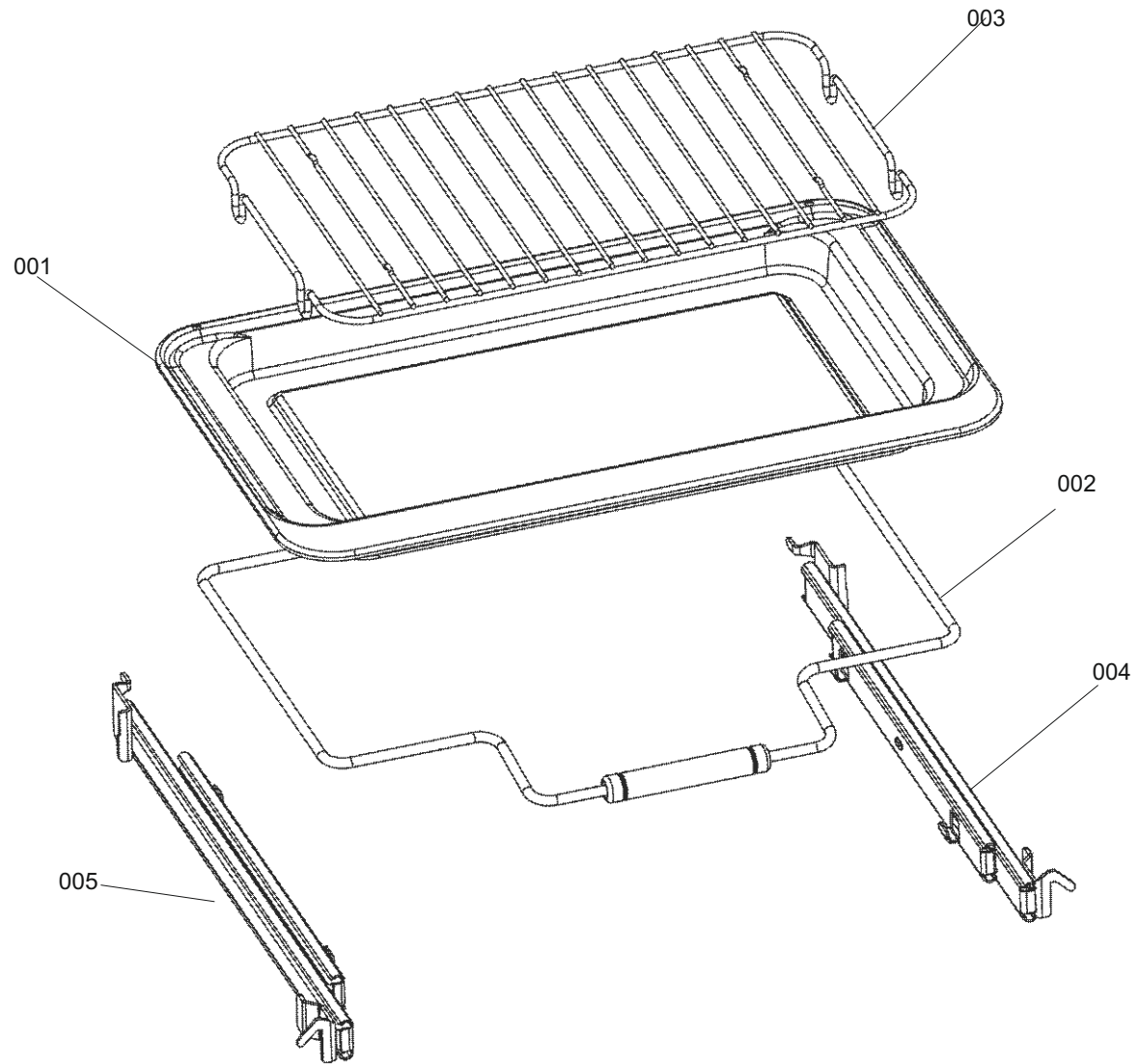
ALL MODELS

DSL268 P01

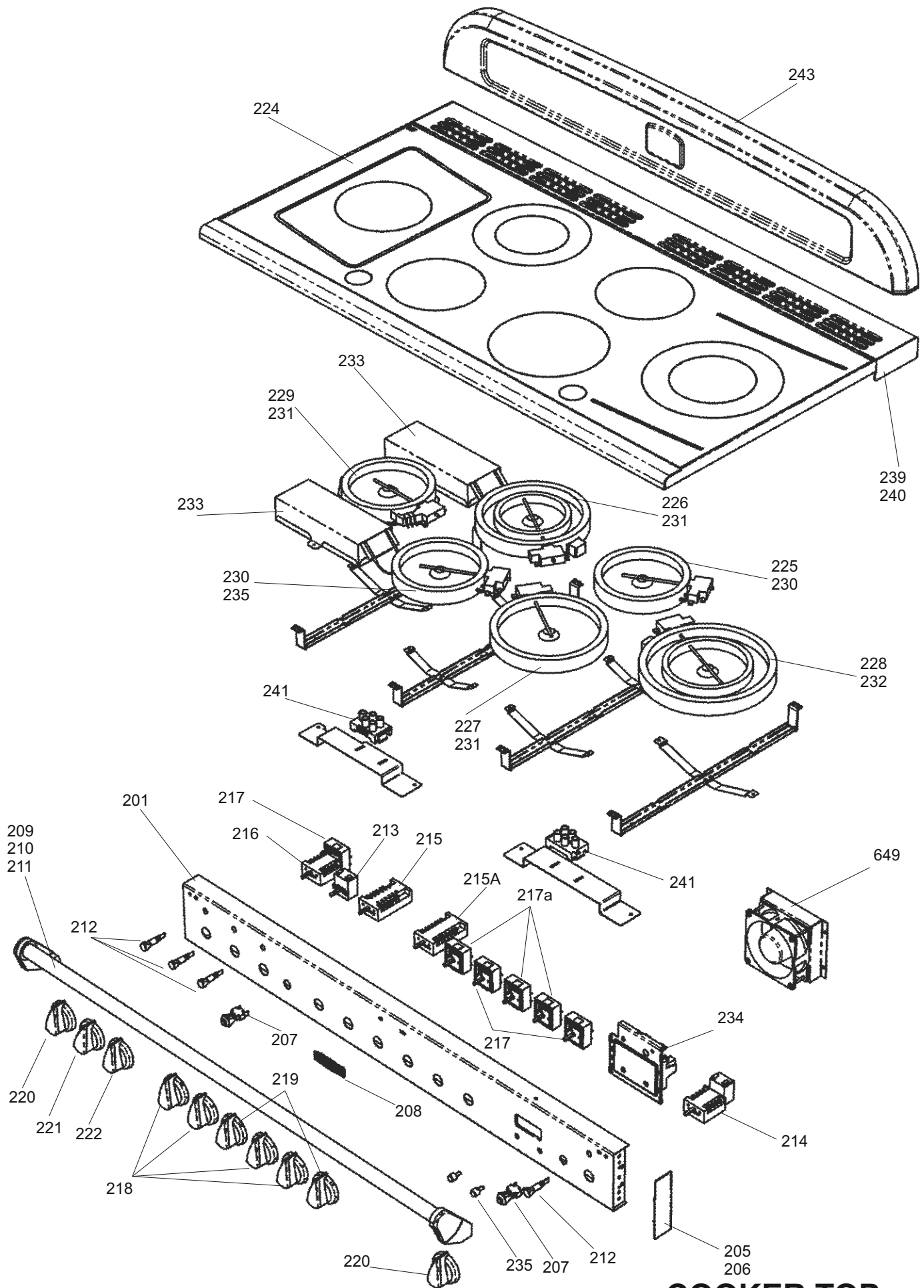
ISSUE STATUS 01

DATE 18.01.05



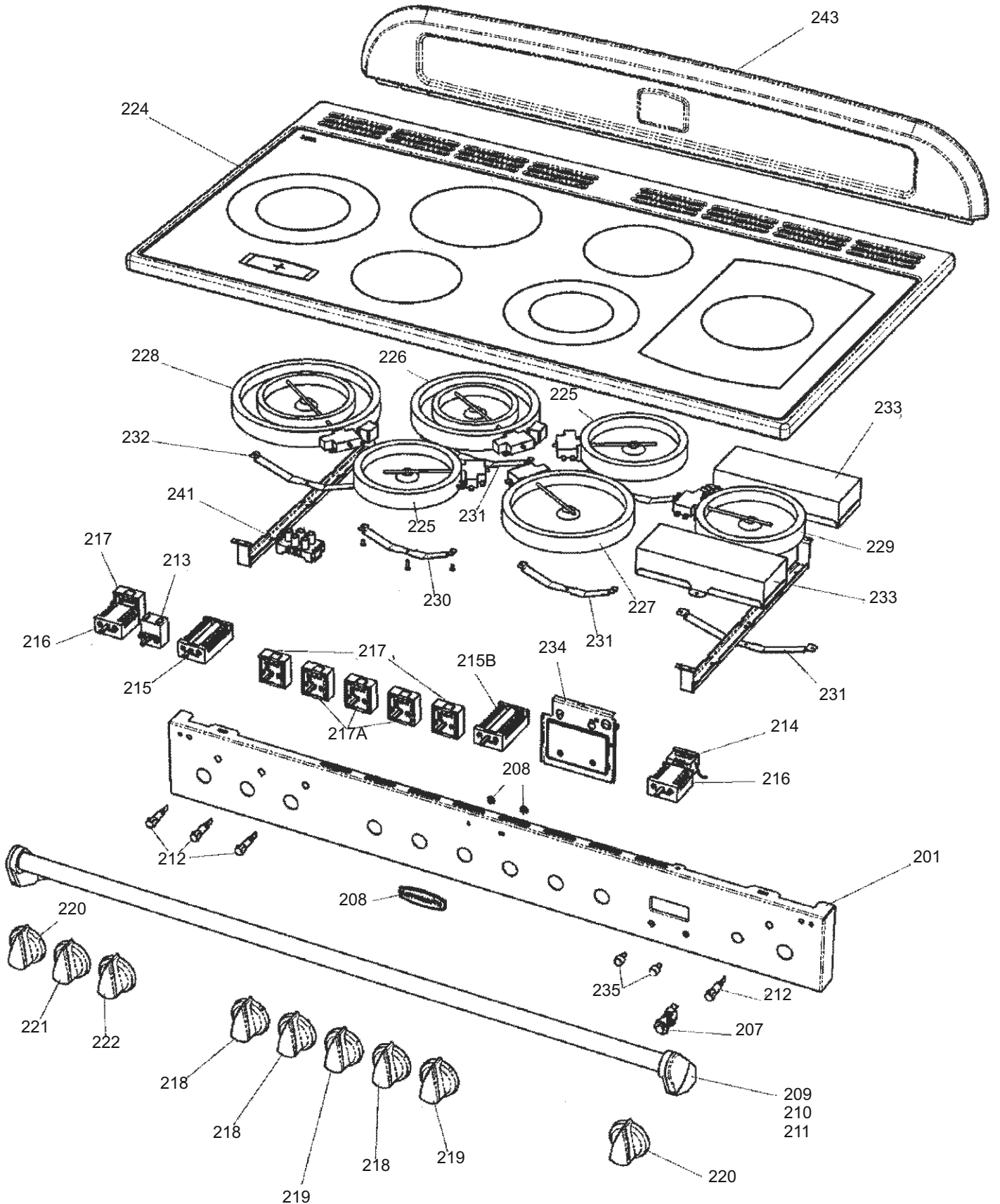


GRILL PAN



COOKER TOP

FROM SERIAL
NUMBER 150000



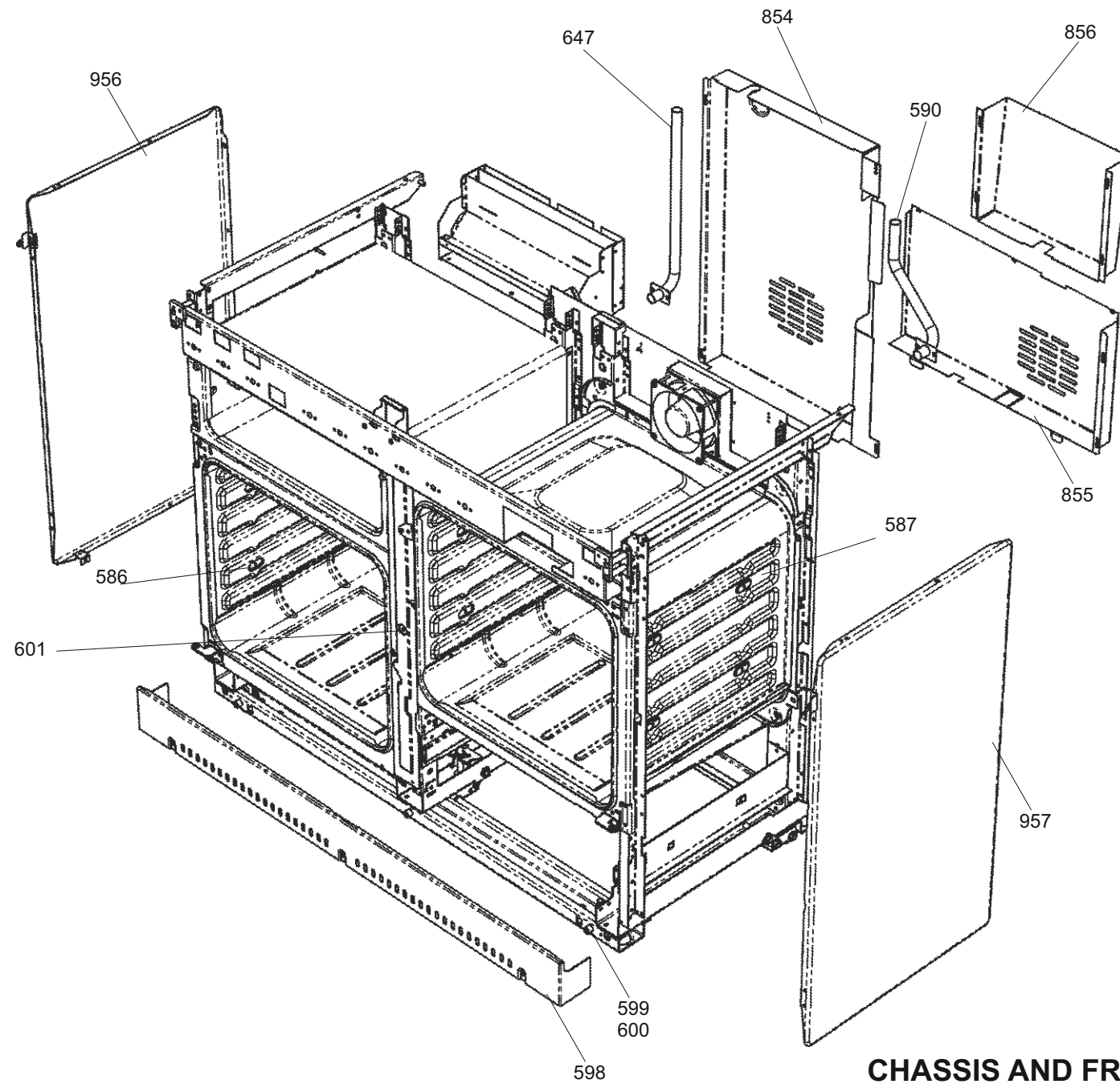
COOKER TOP

ALL MODELS

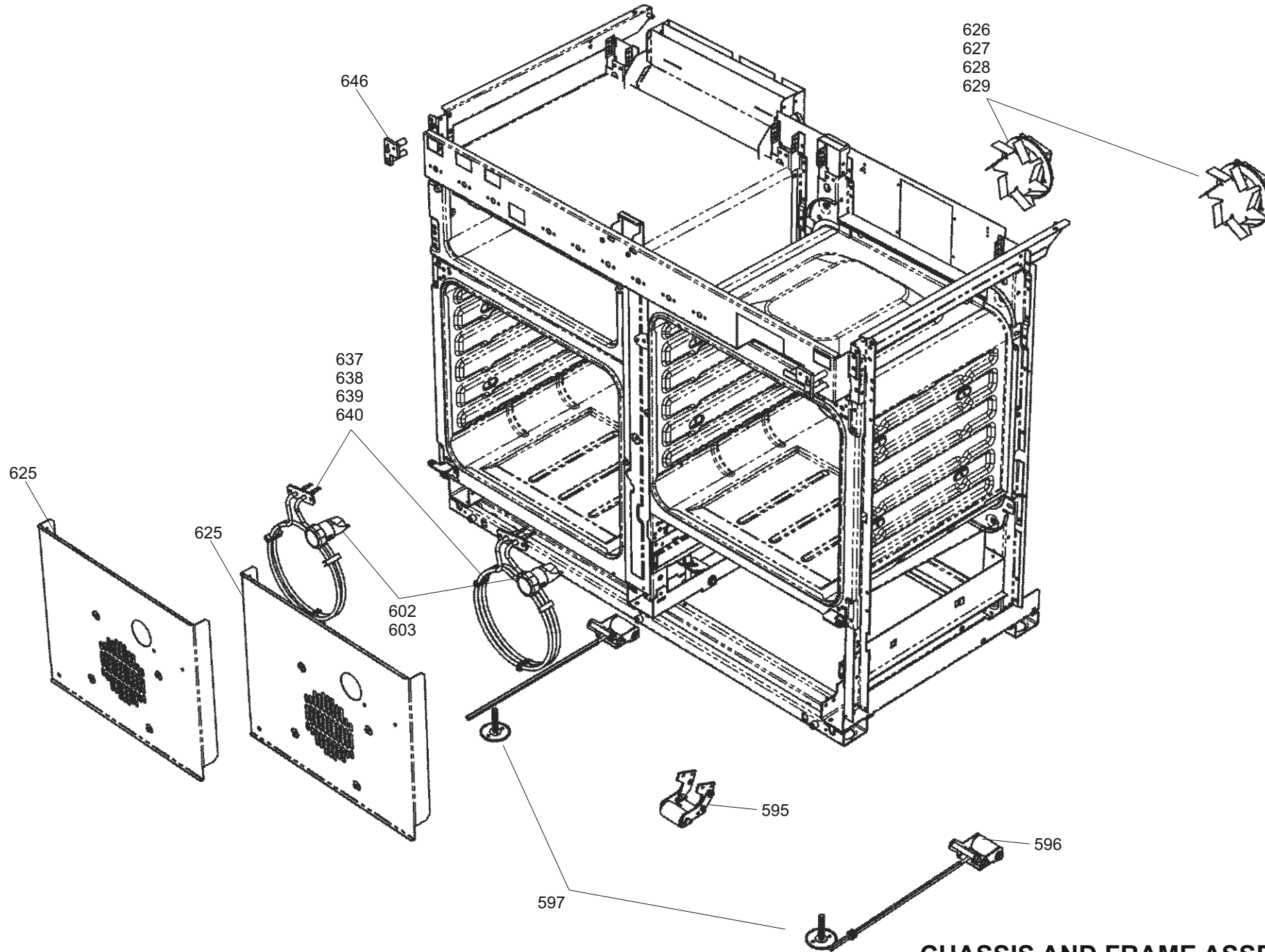
DSL268 P03

ISSUE STATUS 01

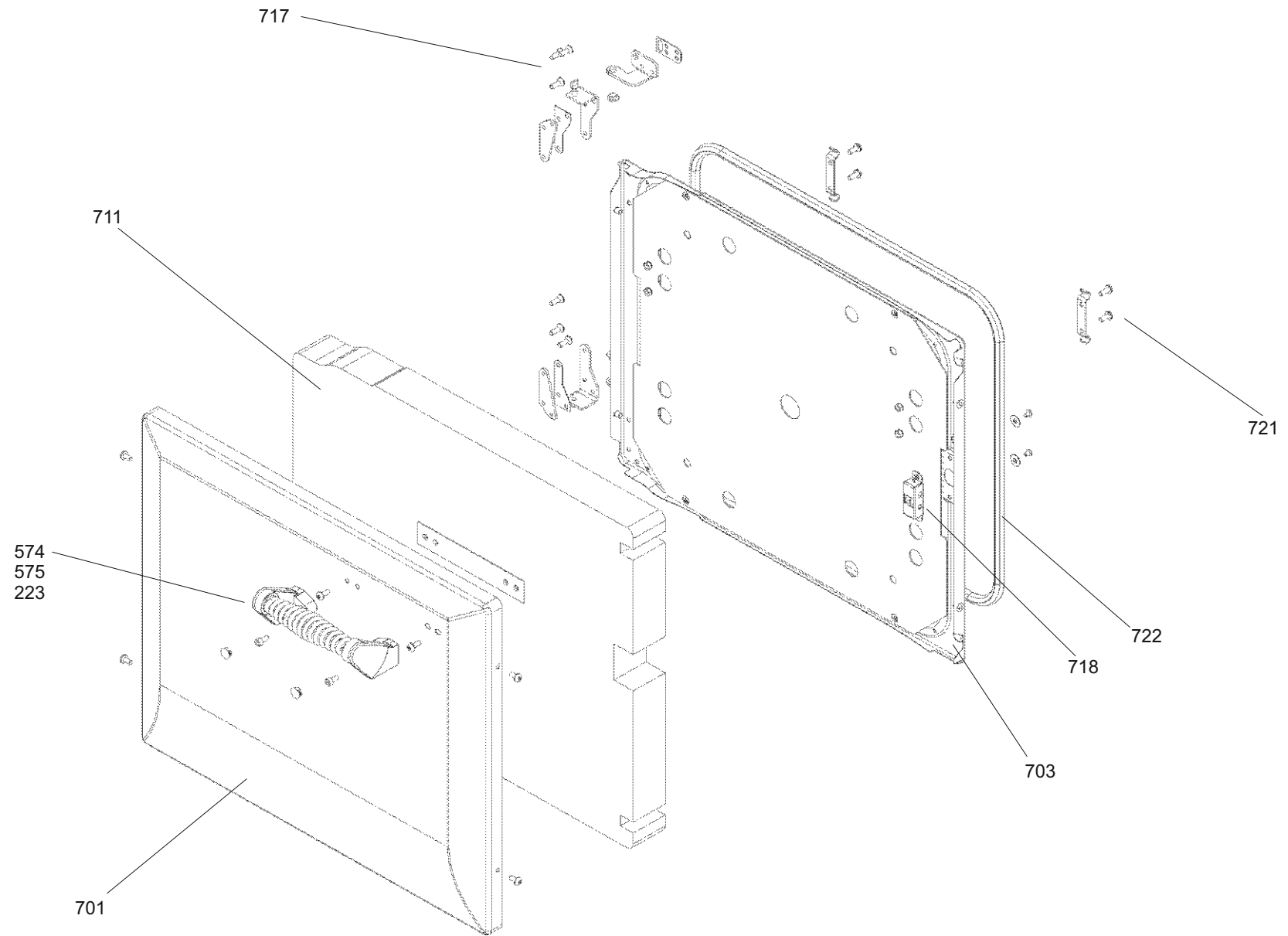
DATE 18.01.05



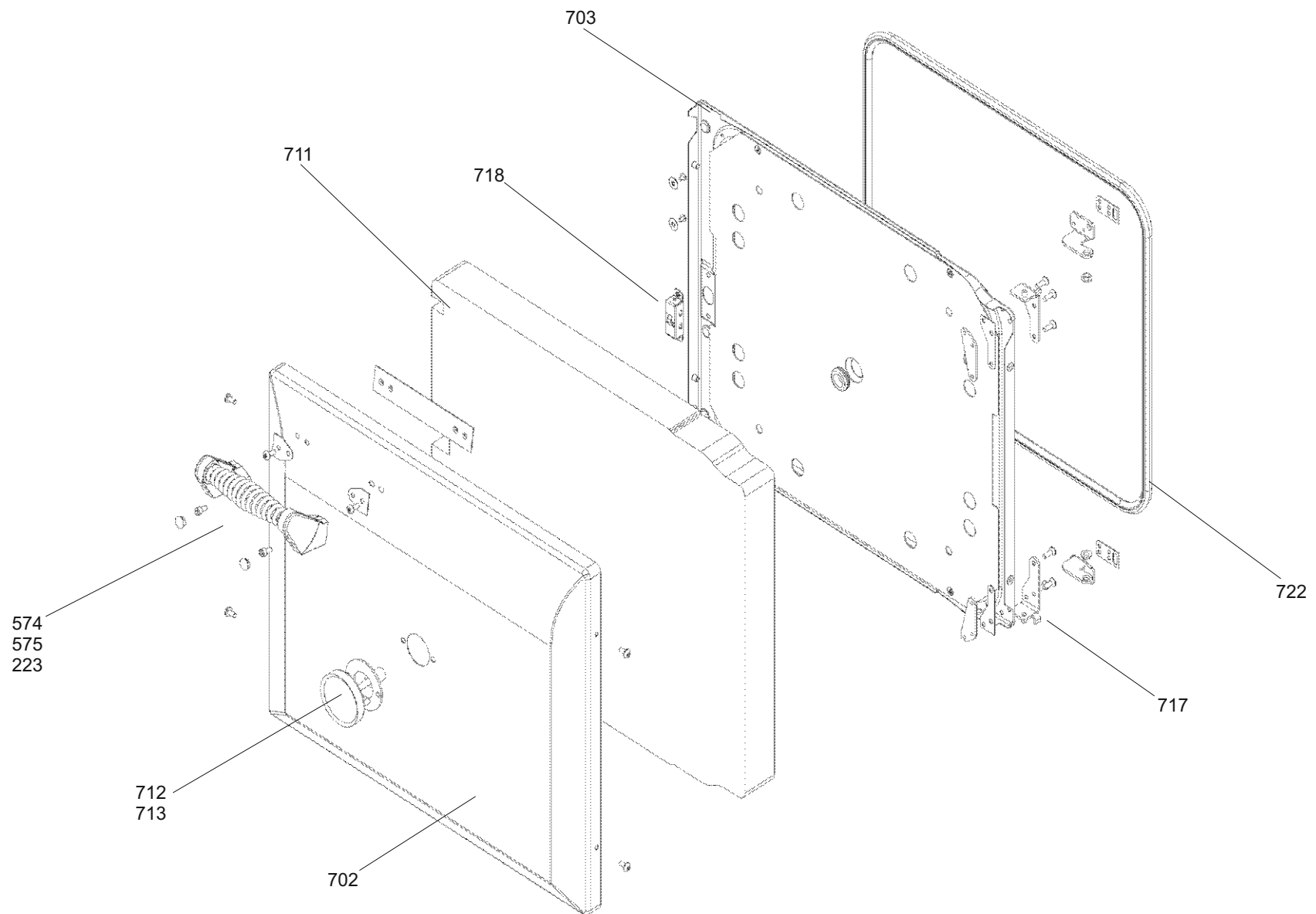
CHASSIS AND FRAME ASSEMBLY



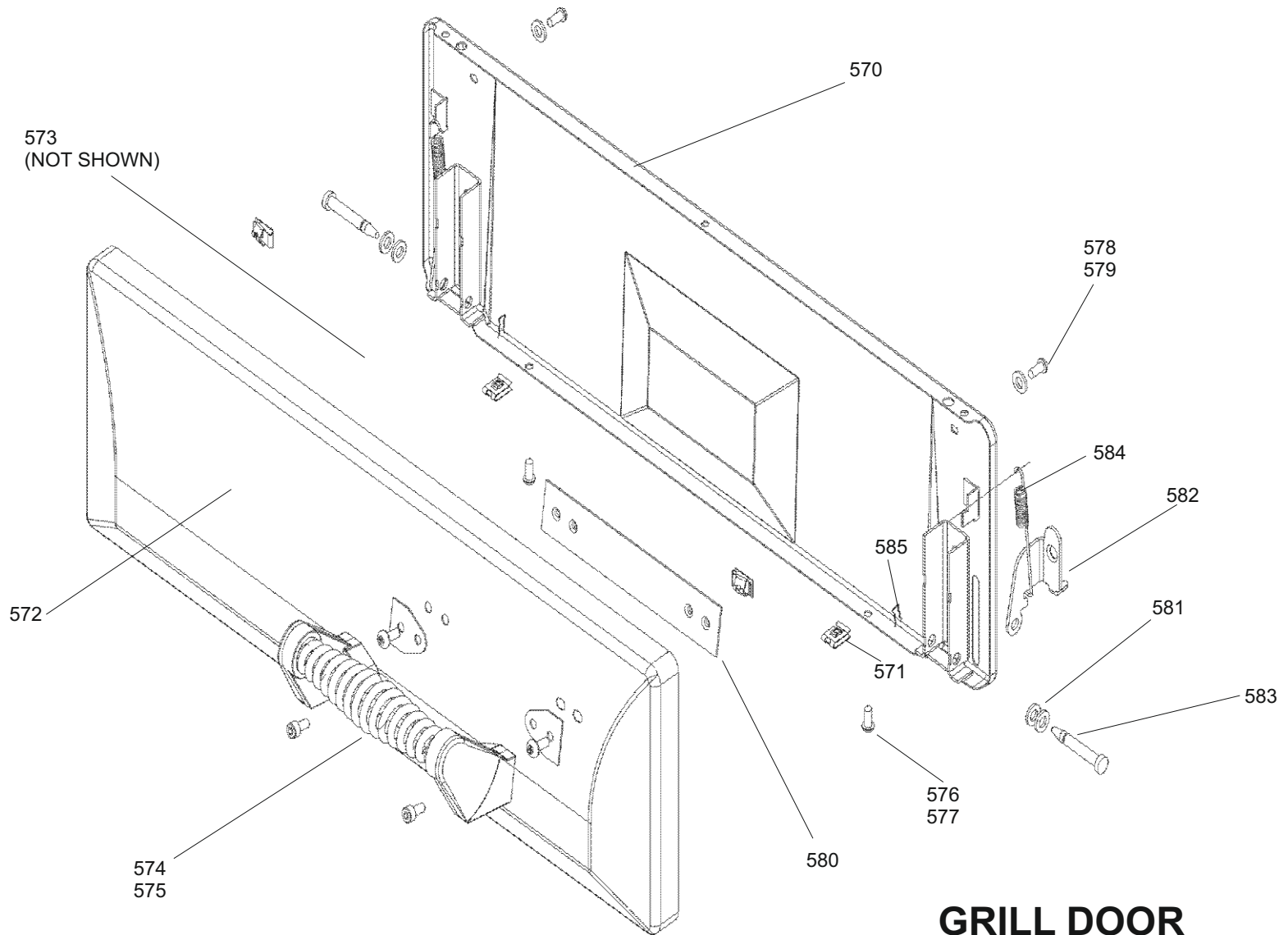
CHASSIS AND FRAME ASSEMBLY



LH OVEN DOOR



RH OVEN DOOR



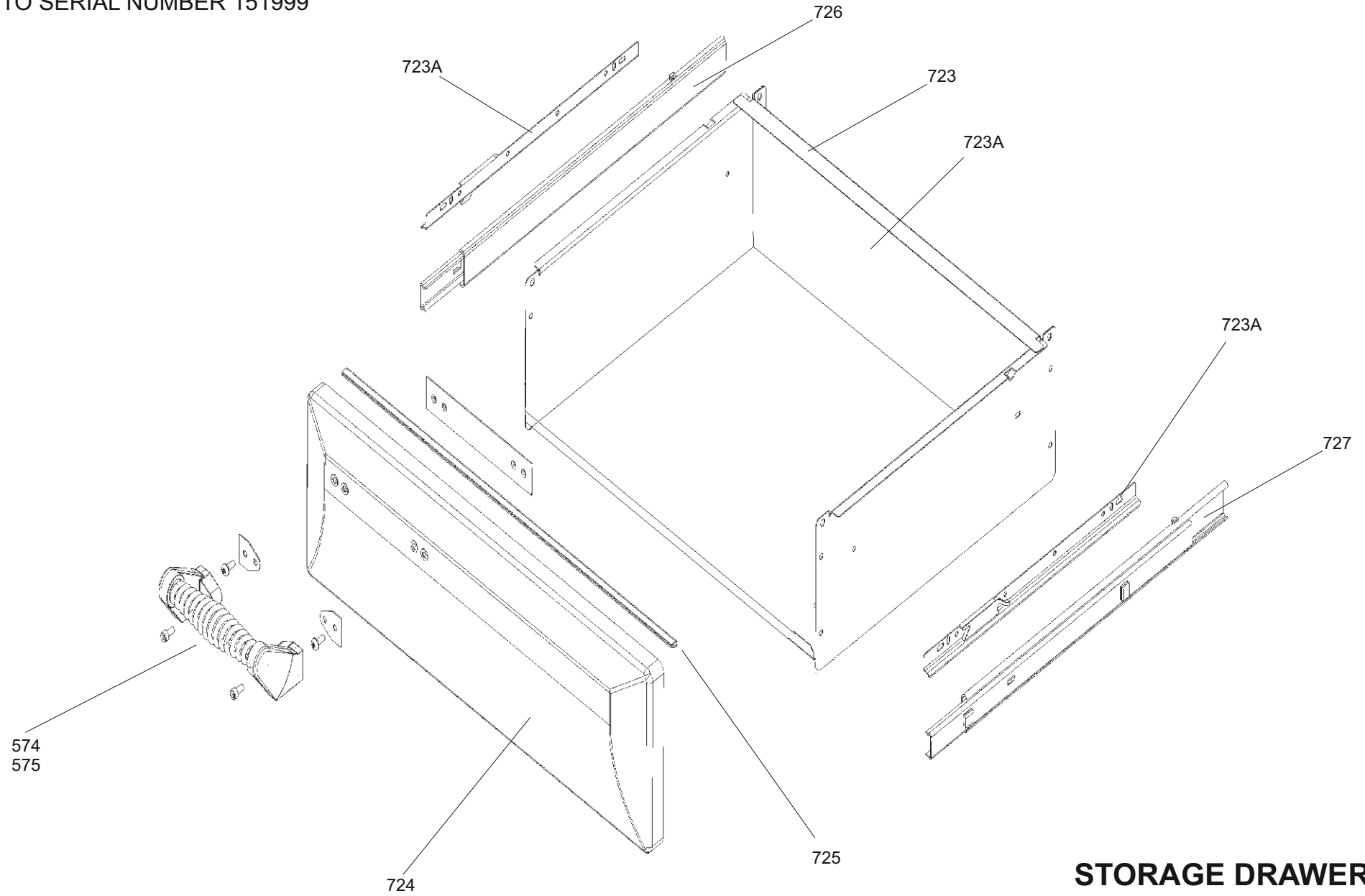
ALL MODELS

DATE 10.06.10

ISSUE STATUS 02

DSL268 P08

UP TO SERIAL NUMBER 151999

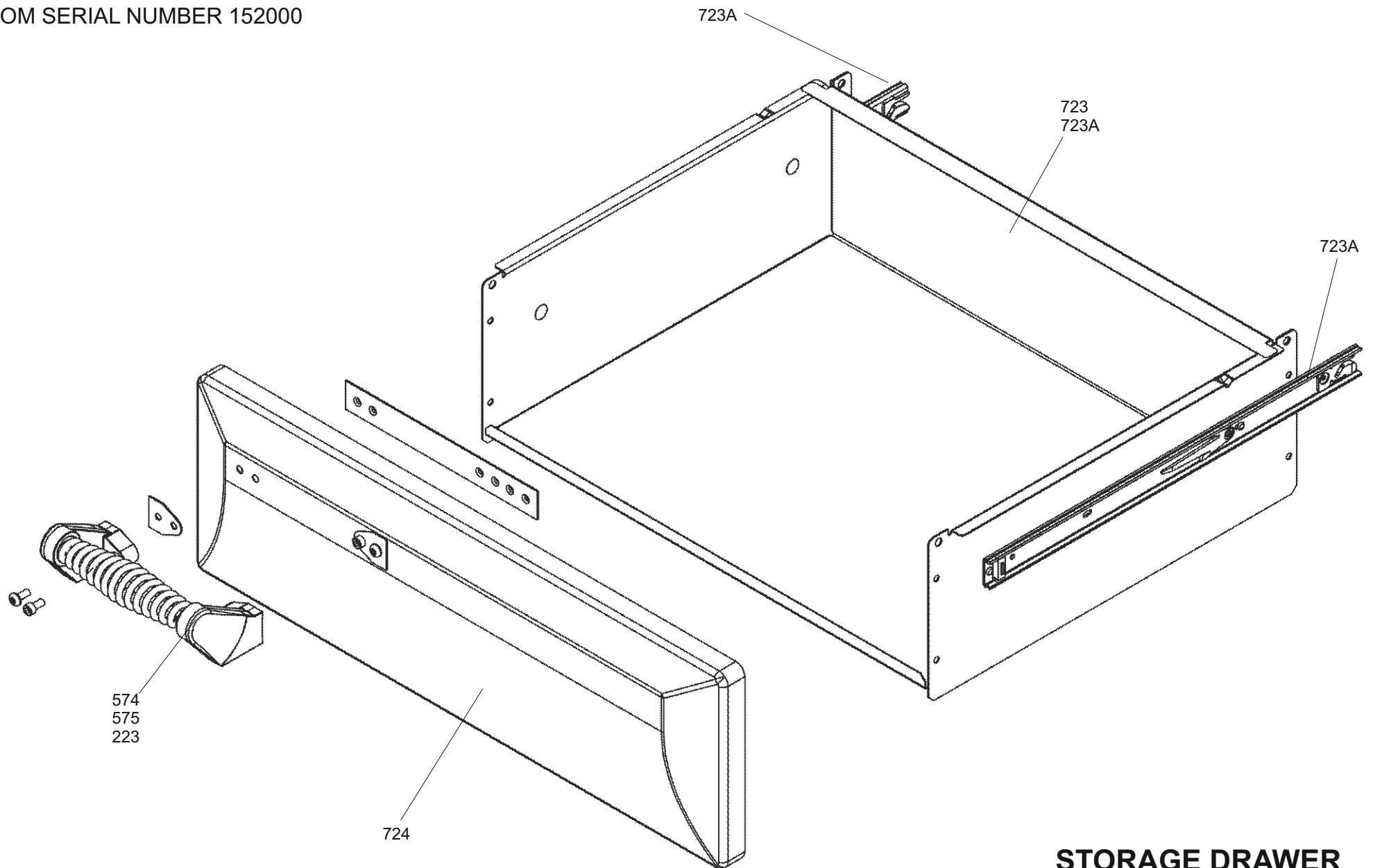


STORAGE DRAWER

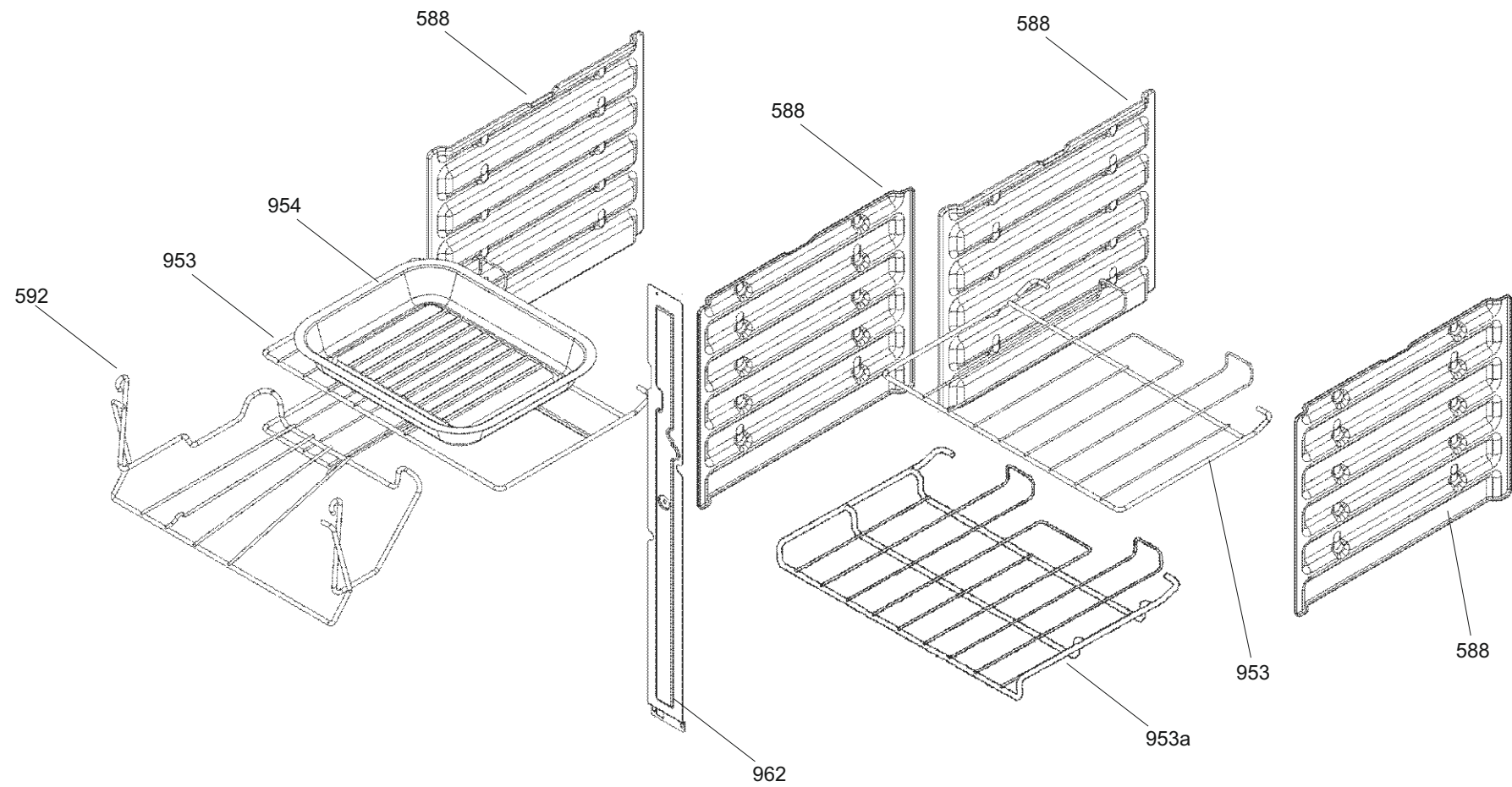
ALL MODELS

DATE 10.06.10 ISSUE STATUS 02 DSL 268 P08A

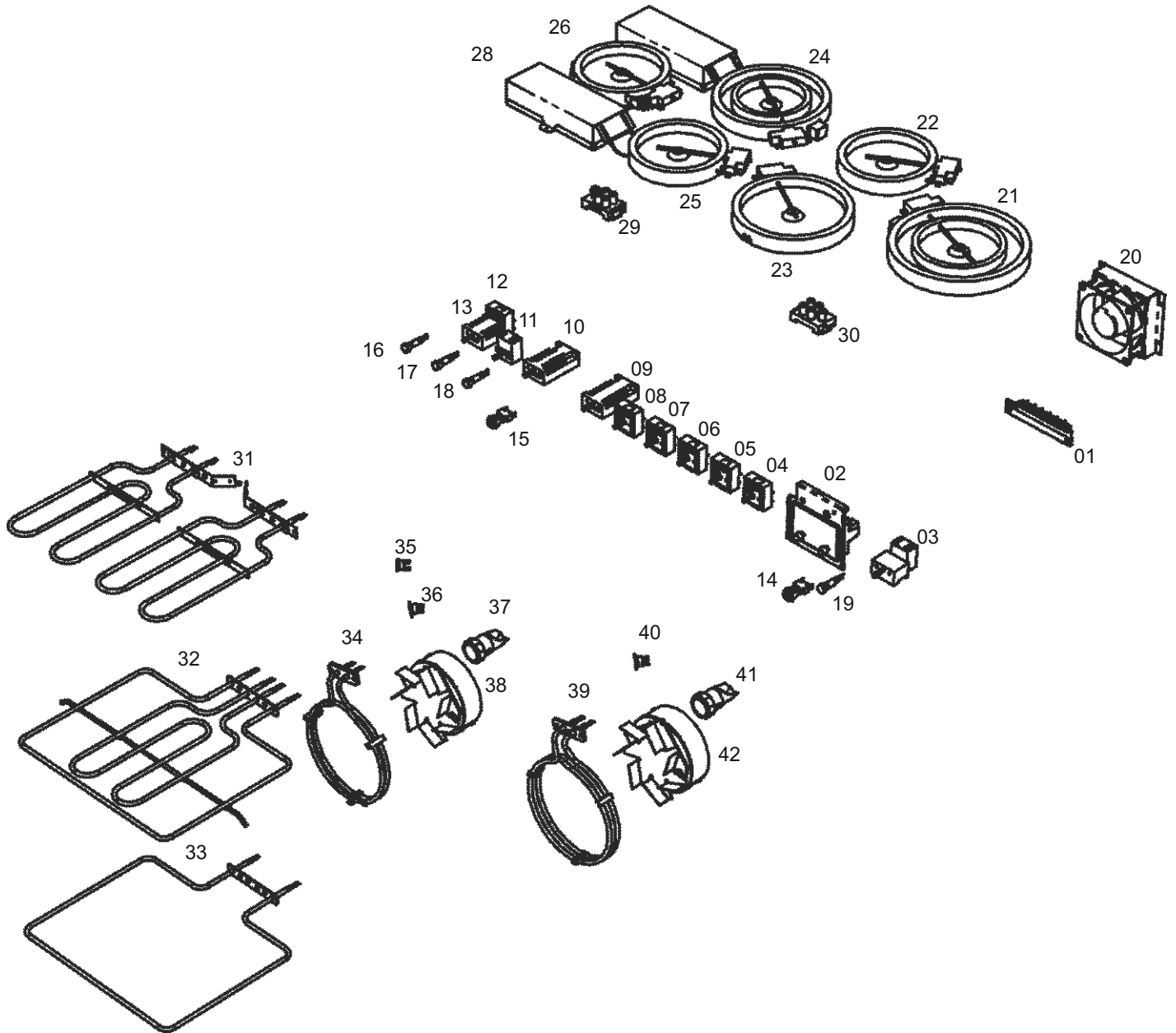
FROM SERIAL NUMBER 152000



STORAGE DRAWER



OVEN ACCESSORIES



REF	HARNESS	DESCRIPTION	QTY	CONNECTS COMPONENTS																	
857	P036521	RADIANT HOB PHASE 2	1	01	05	07	08	09													
858	P036522	GRILL HARNESS	1	01	12	31															
859	P036523	LEFT HAND OVEN HARNESS	1	01	10	11	13	15	17	18	32	33	34	35	36	37	38				
860	P036524	RIGHT HAND OVEN HARNESS	1	01	02	03	14	19	20	39	40	41	42								
861	P036525	RADIANT HOB SWITCH HARNESS PHASE 1	1	04	06	P036527															
862	P036526	FACIA LINKS HARNESS	1	02	03	10	11	13	16	17	18	19									
863	P036527	RADIANT HOB ELEMENT HARNESS PHASE 1	1	20	21	28	29	P036525													
864	P036528	RADIANT HOB SWITCH HARNESS PHASE 2	1	05	07	08	09	P036529													
865	P036529	RADIANT HOB ELEMENT HARNESS PHASE 2	1	23	24	25	26	P036528													
866	P036530	NEUTRAL LINK	1	39	40	42															
867	P095450	EARTH LINK	1	1	39	41	42														
868	P026793	EARTH LINK	1	01	32	34	37	38													
869	A094943	WIRE ASSEMBLY (EARTH WIRE)	1	03																	
870	A055374	WIRE ASSEMBLY (EARTH WIRE)	2	31																	
871	P033089	NEUTRAL LINK	1	32	33	34	35	36	38												
872	A094948	CUT OUT LINK	1	31	34																
873	P027886	RESIDUAL HEAT INDICATOR LIVE	1	04	21	22	23	24	25	26											