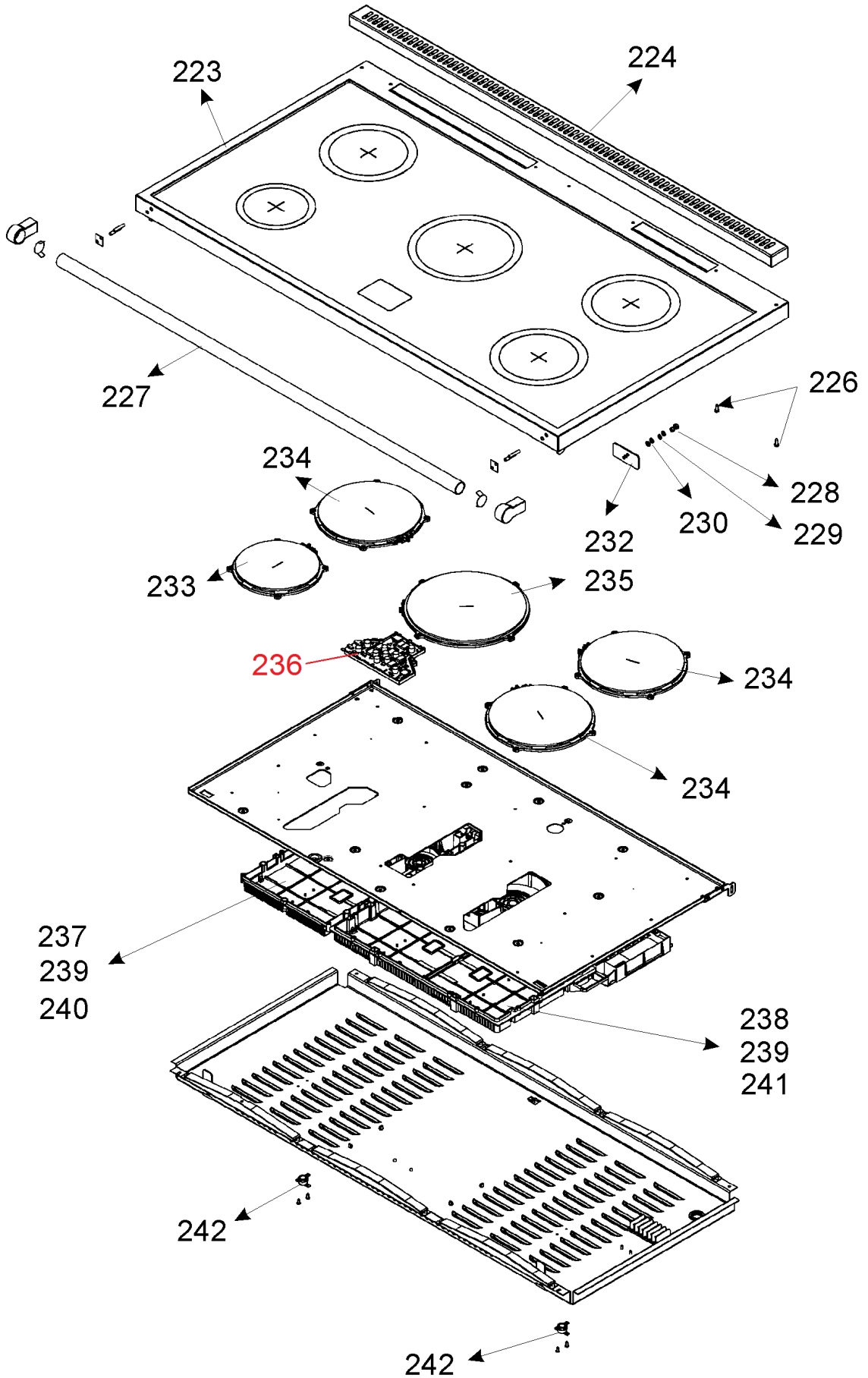


# FALCON 900 DELUXE INDUCTION

# DSL0361 P01

DATE 07.08.13 ISSUE STATUS 02

UP TO SERIAL NUMBER 170999

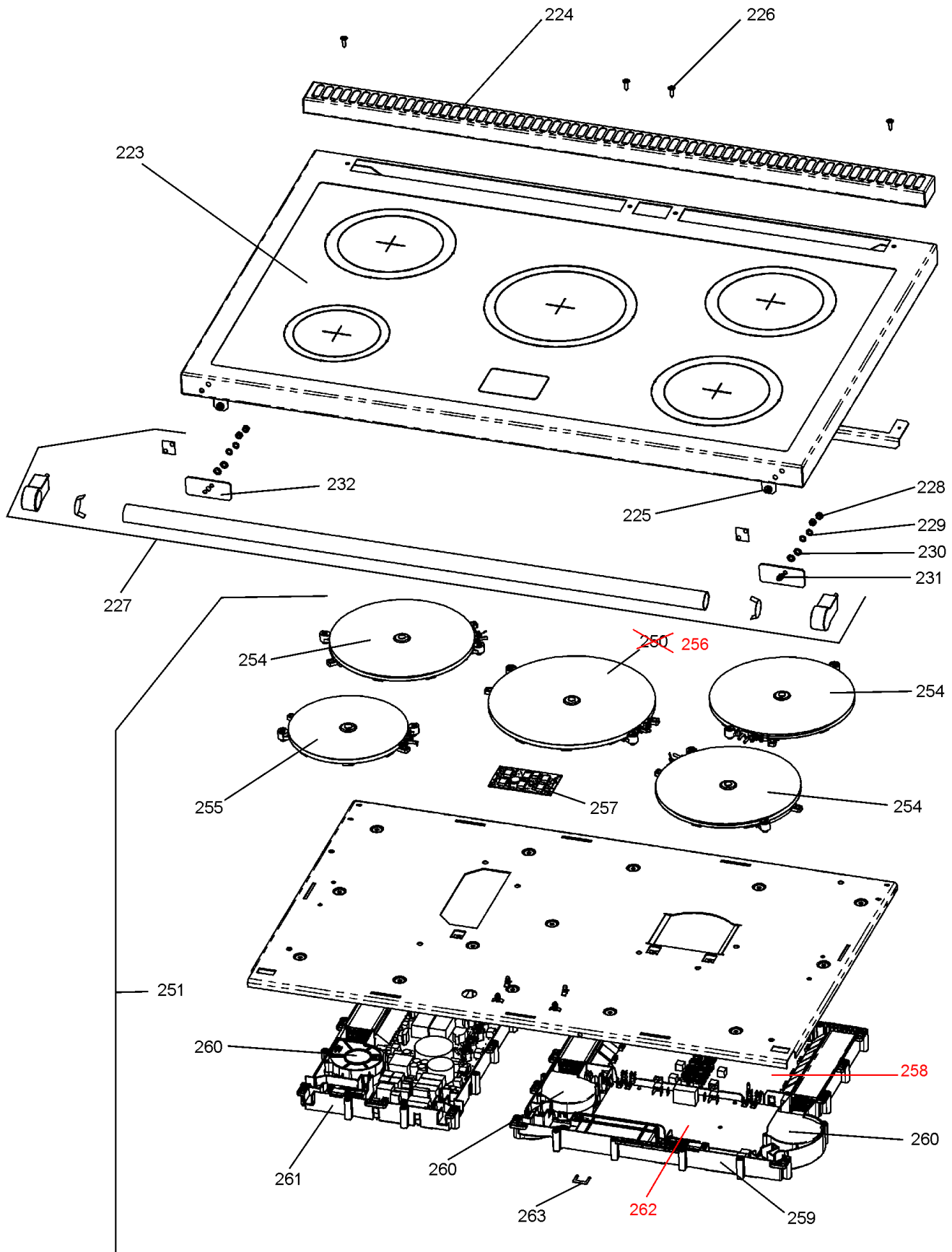


# FALCON 900 DELUXE INDUCTION

# DSL0361 P01A

DATE 07.08.13 ISSUE STATUS 01

FROM SERIAL NUMBER 171000

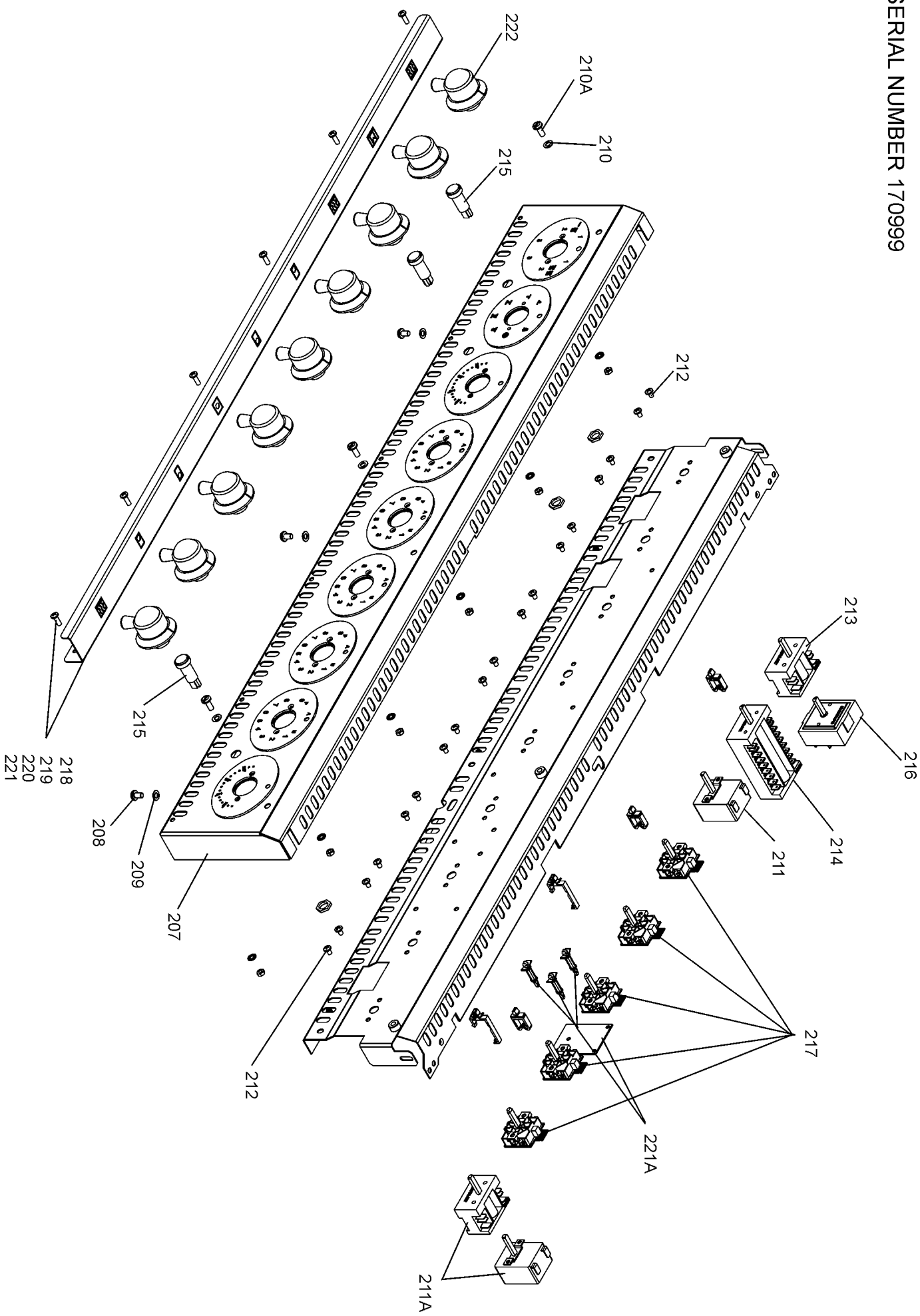


# FALCON 900 DELUXE INDUCTION

UP TO SERIAL NUMBER 170999

DATE 07.08.13

**DSL0361 P02**  
ISSUE STATUS 02

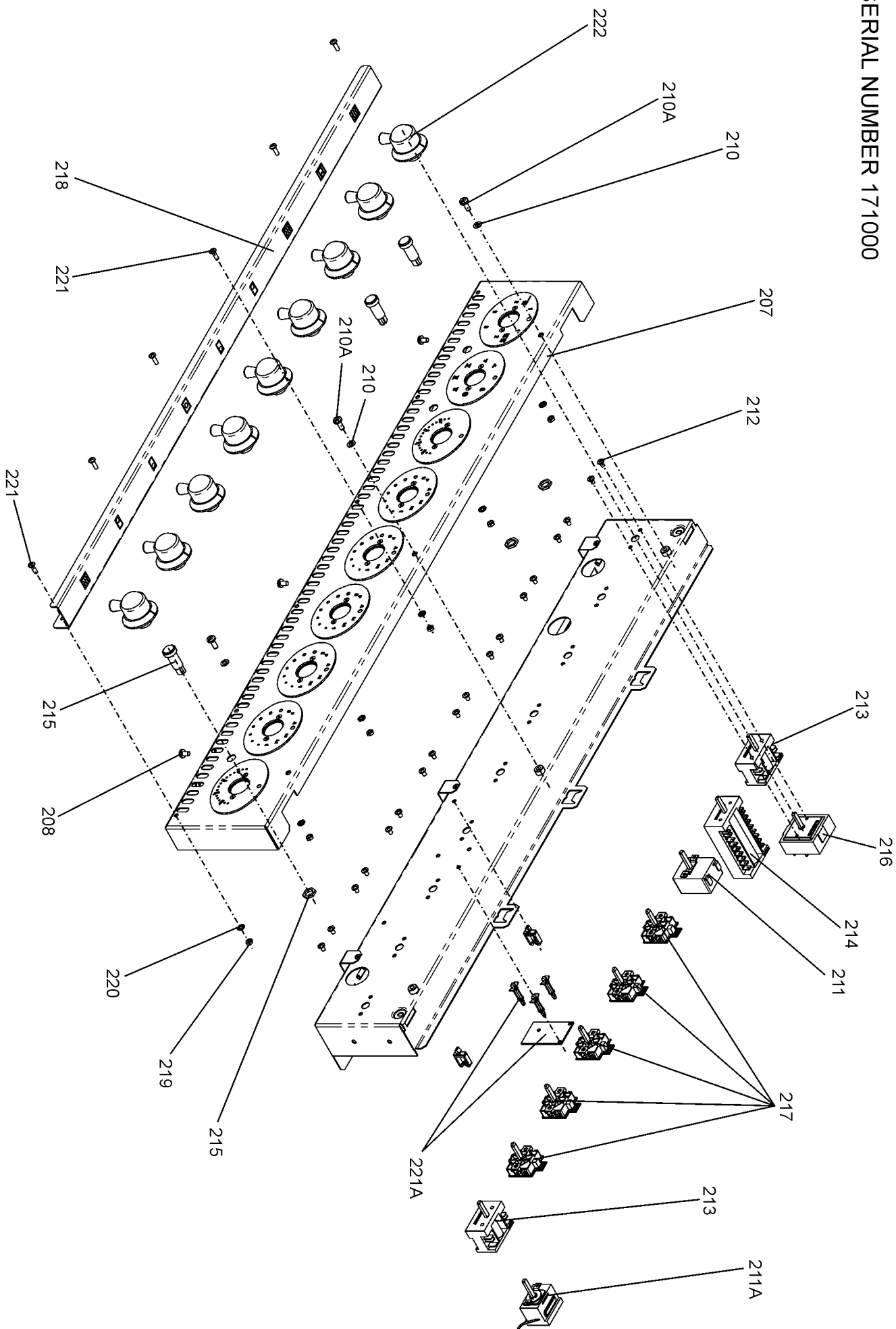


# FALCON 900 DELUXE INDUCTION

FROM SERIAL NUMBER 171000

DATE 07.08.13

**DSL0361 P02A**  
ISSUE STATUS 01

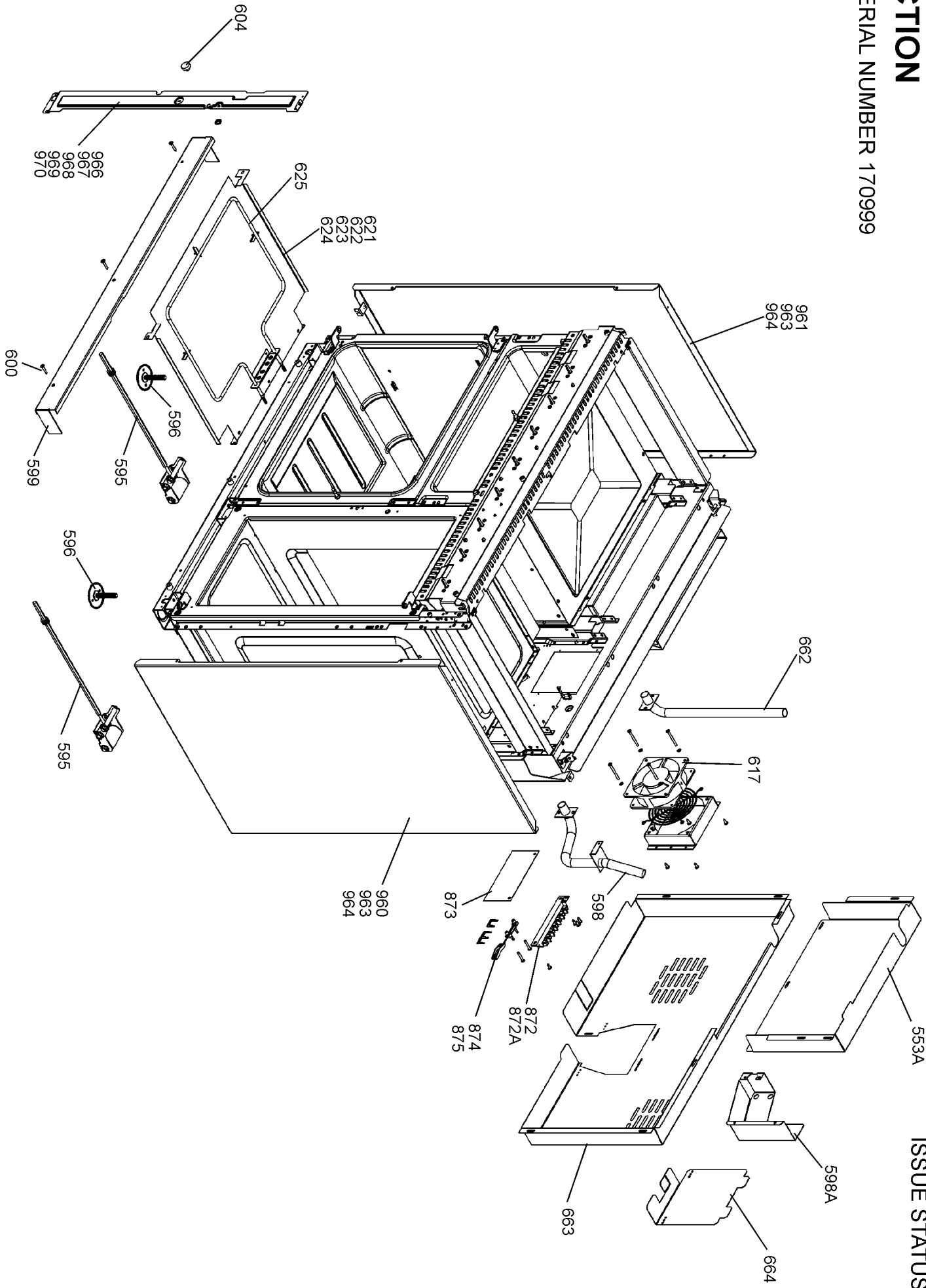


# FALCON 900 DELUXE INDUCTION

UP TO SERIAL NUMBER 170999

DATE 07.08.13

**DSL0361 P03**  
ISSUE STATUS 02

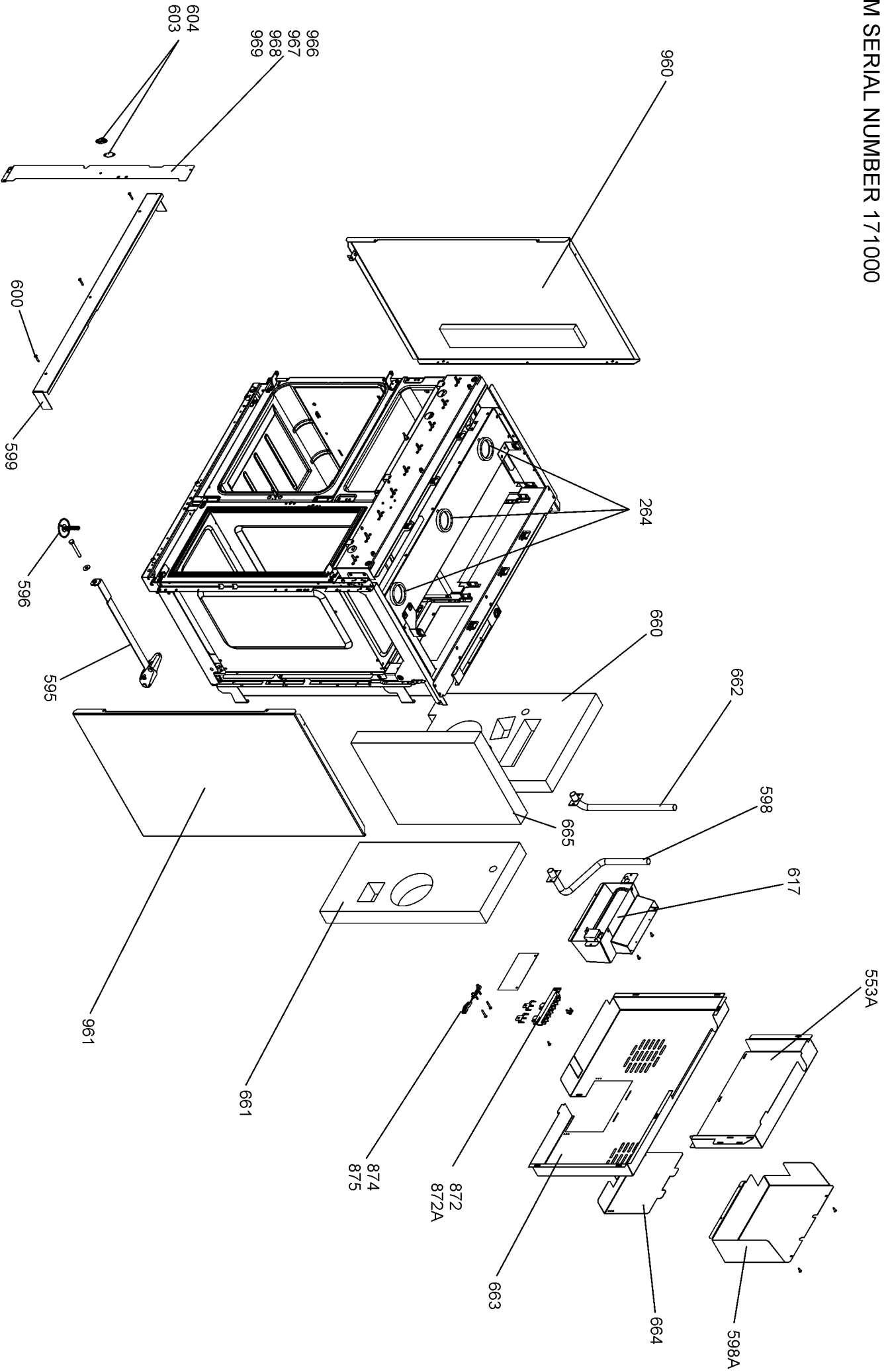


**FALCON 900 DELUXE  
INDUCTION G5**

FROM SERIAL NUMBER 171000

DATE 07.08.13

**DSL0361 P03A**  
ISSUE STATUS 01

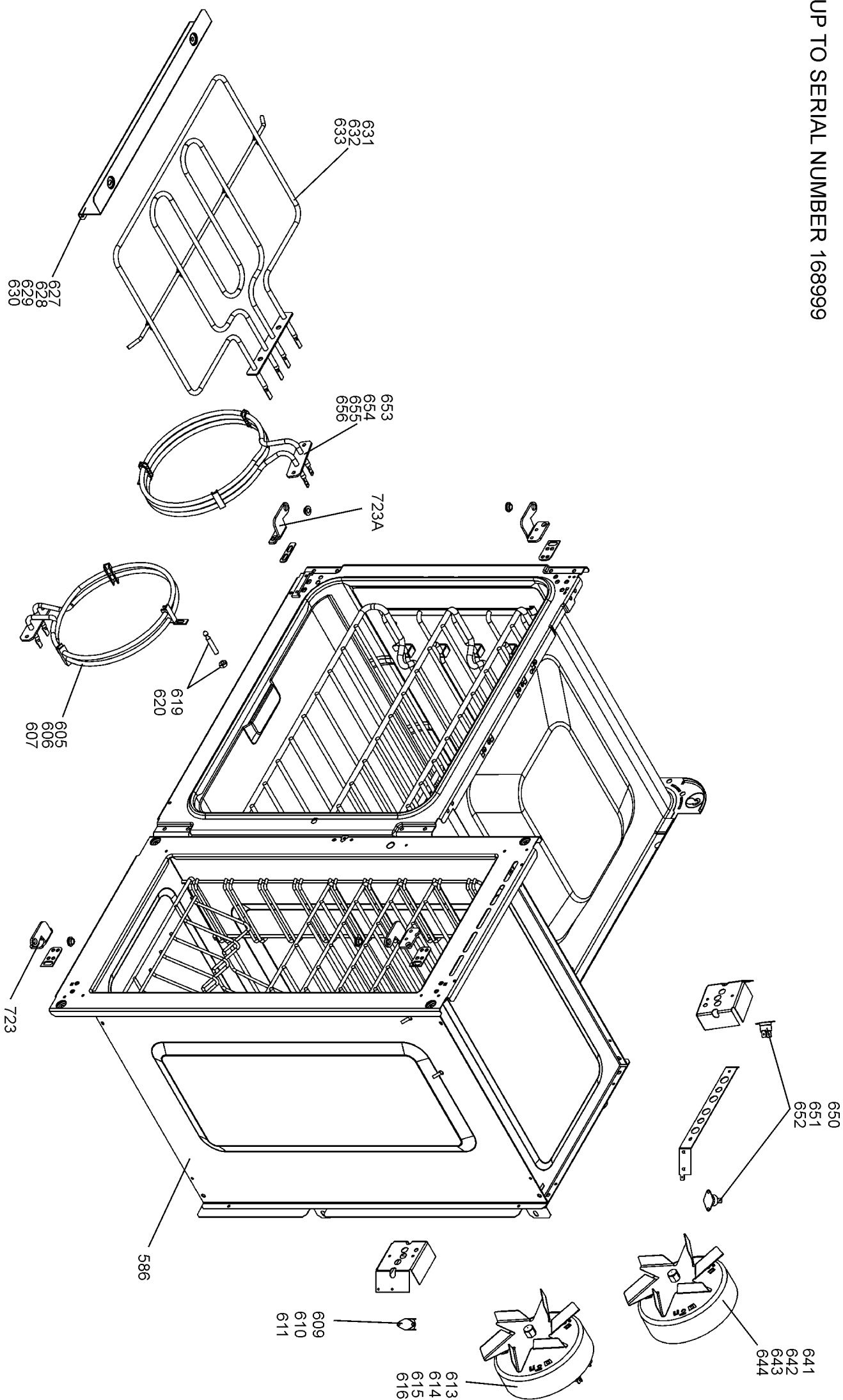


# FALCON 900 DELUXE INDUCTION

UP TO SERIAL NUMBER 168999

DATE 07.08.13

**DSL0361 P04**  
ISSUE STATUS 02





# FALCON 900 DELUXE INDUCTION

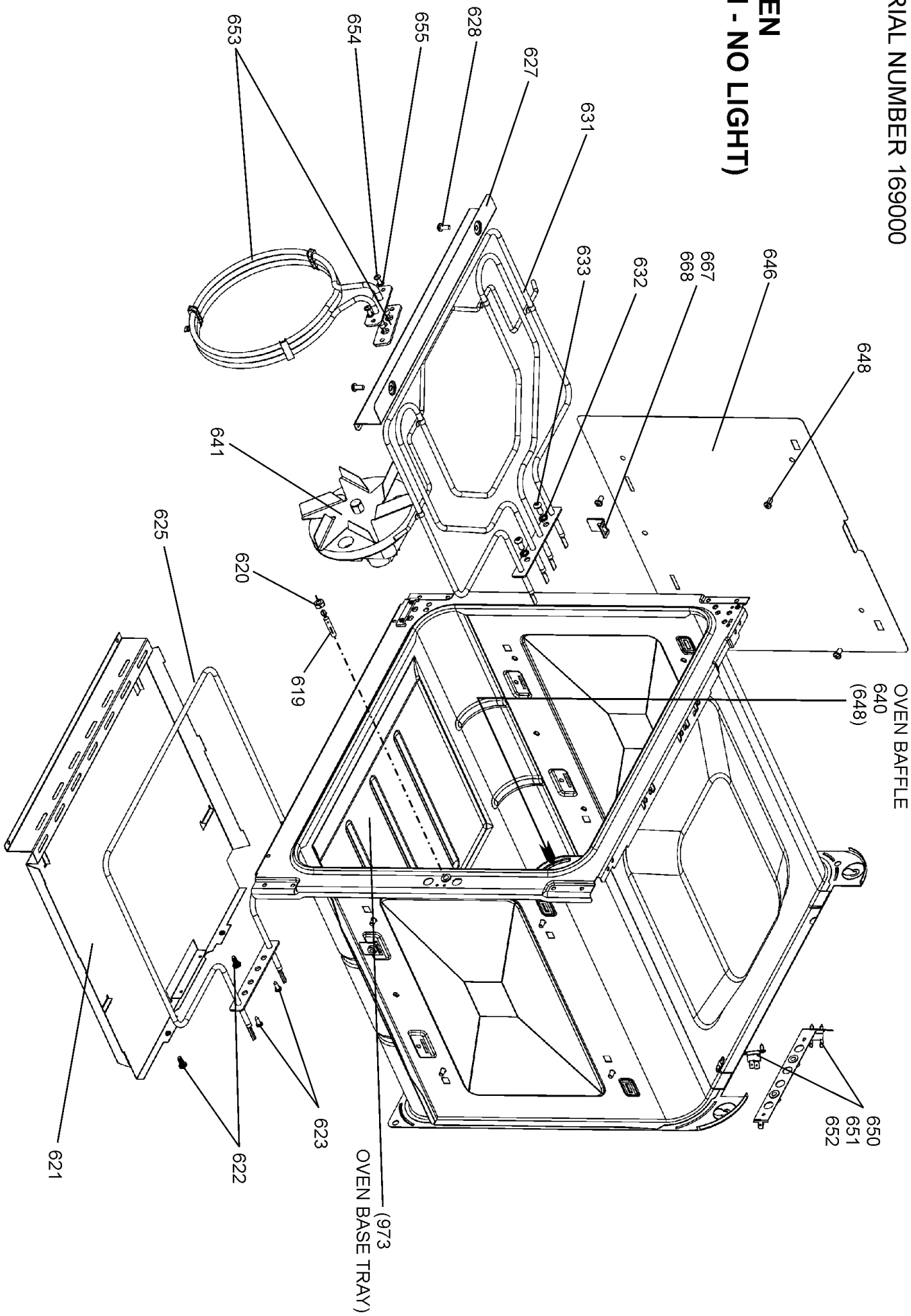
# DSL0361 P04A

DATE 07.08.13

ISSUE STATUS 01

FROM SERIAL NUMBER 169000

## LH OVEN (MULTI - NO LIGHT)

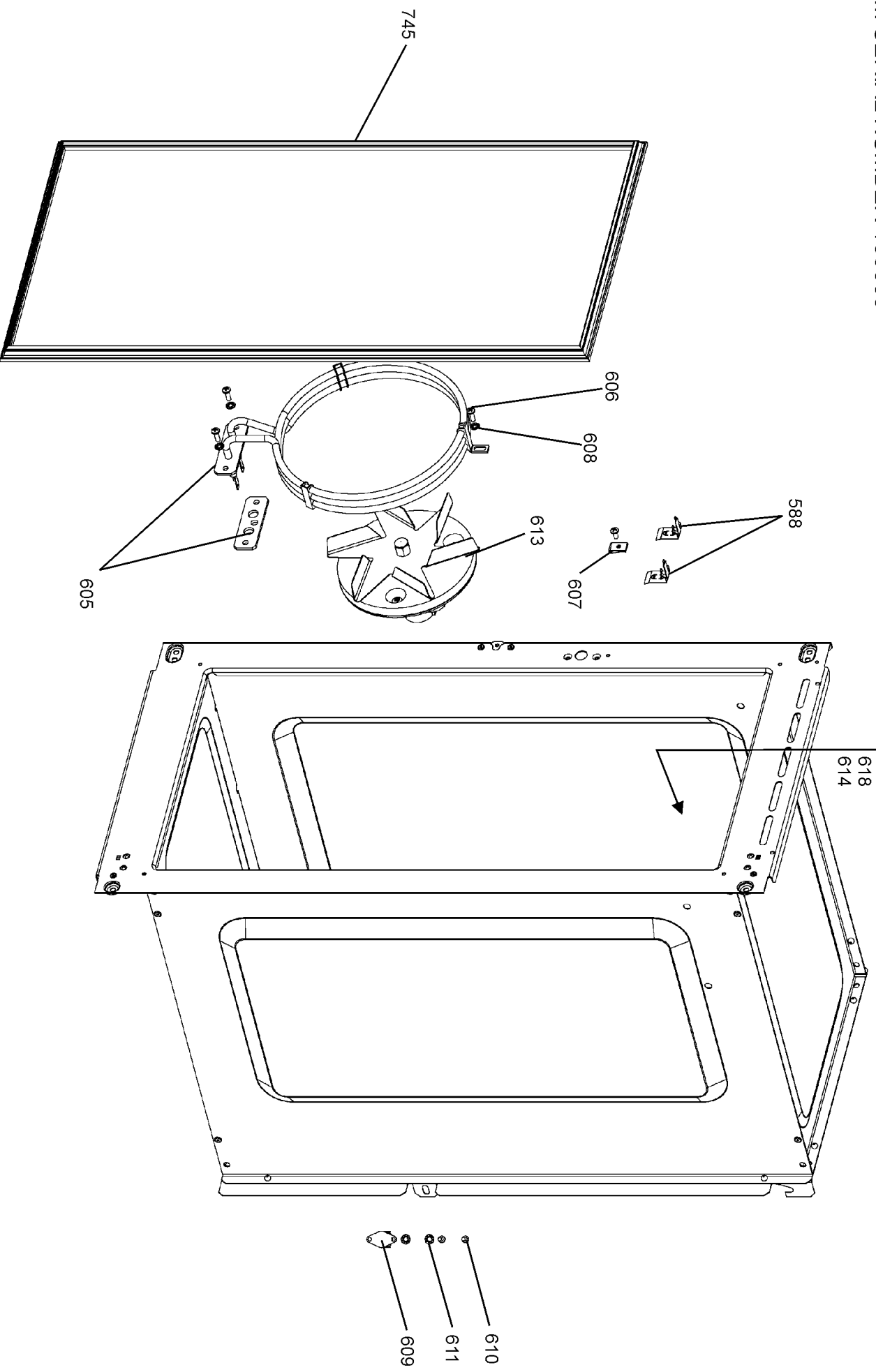


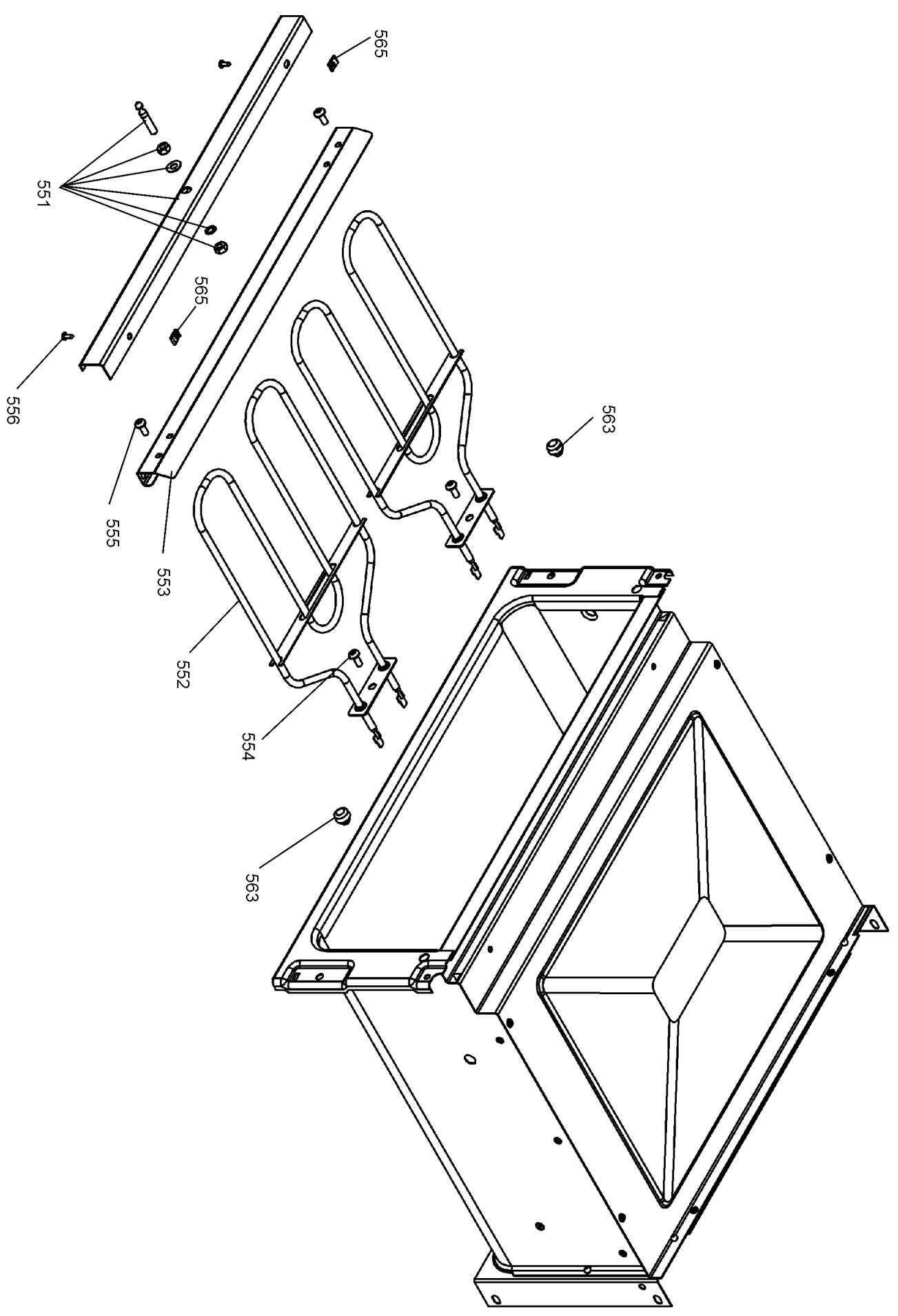
# FALCON 900 DELUXE INDUCTION

FROM SERIAL NUMBER 169000

DATE 07.08.13 ISSUE STATUS 01

# DSL0361 P04B

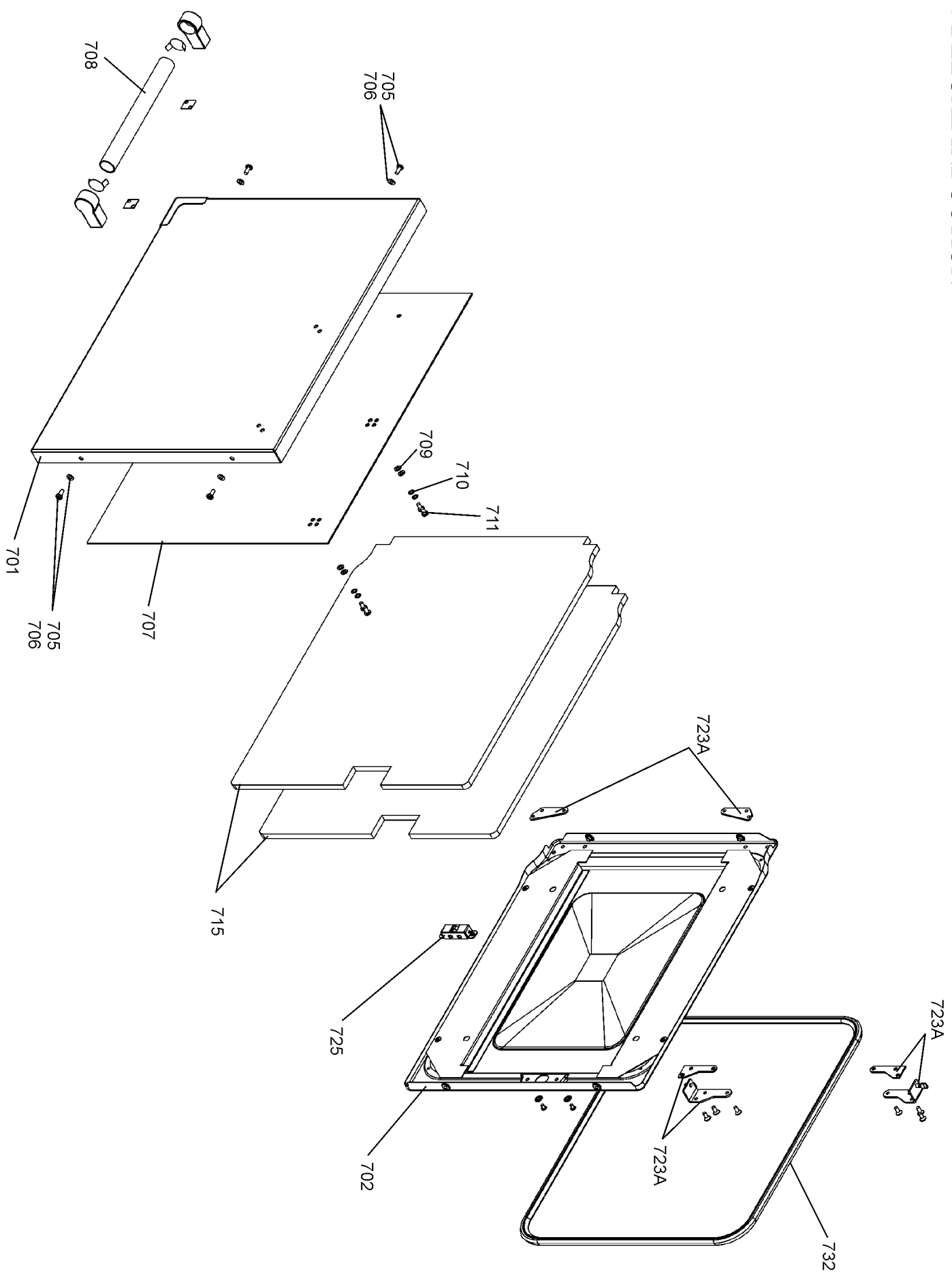


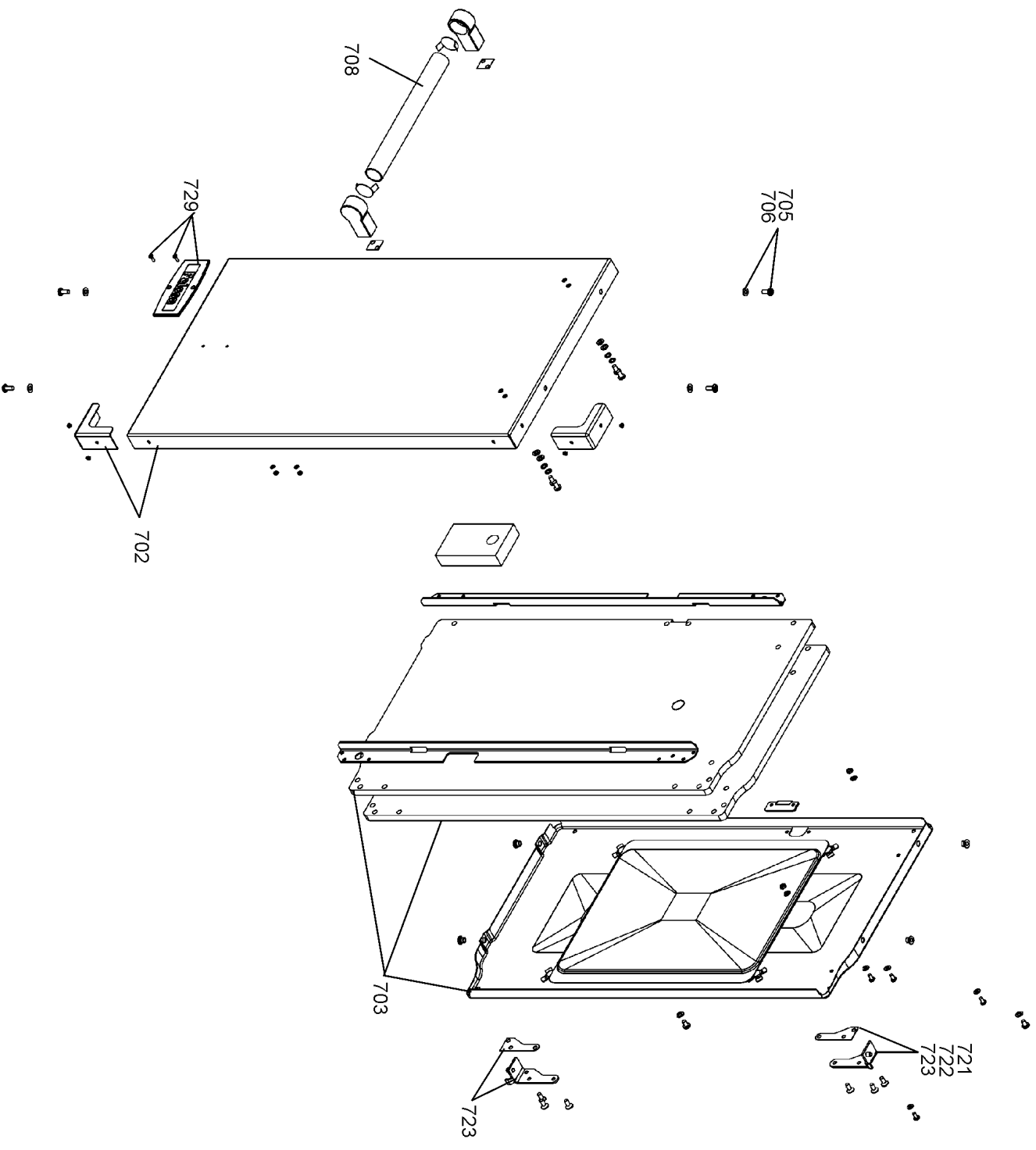


APPLIANCE NAME:  
FALCON 900 DELUXE INDUCTION

DATE 08.02.08

**DSL0361 P06**  
ISSUE STATUS 01





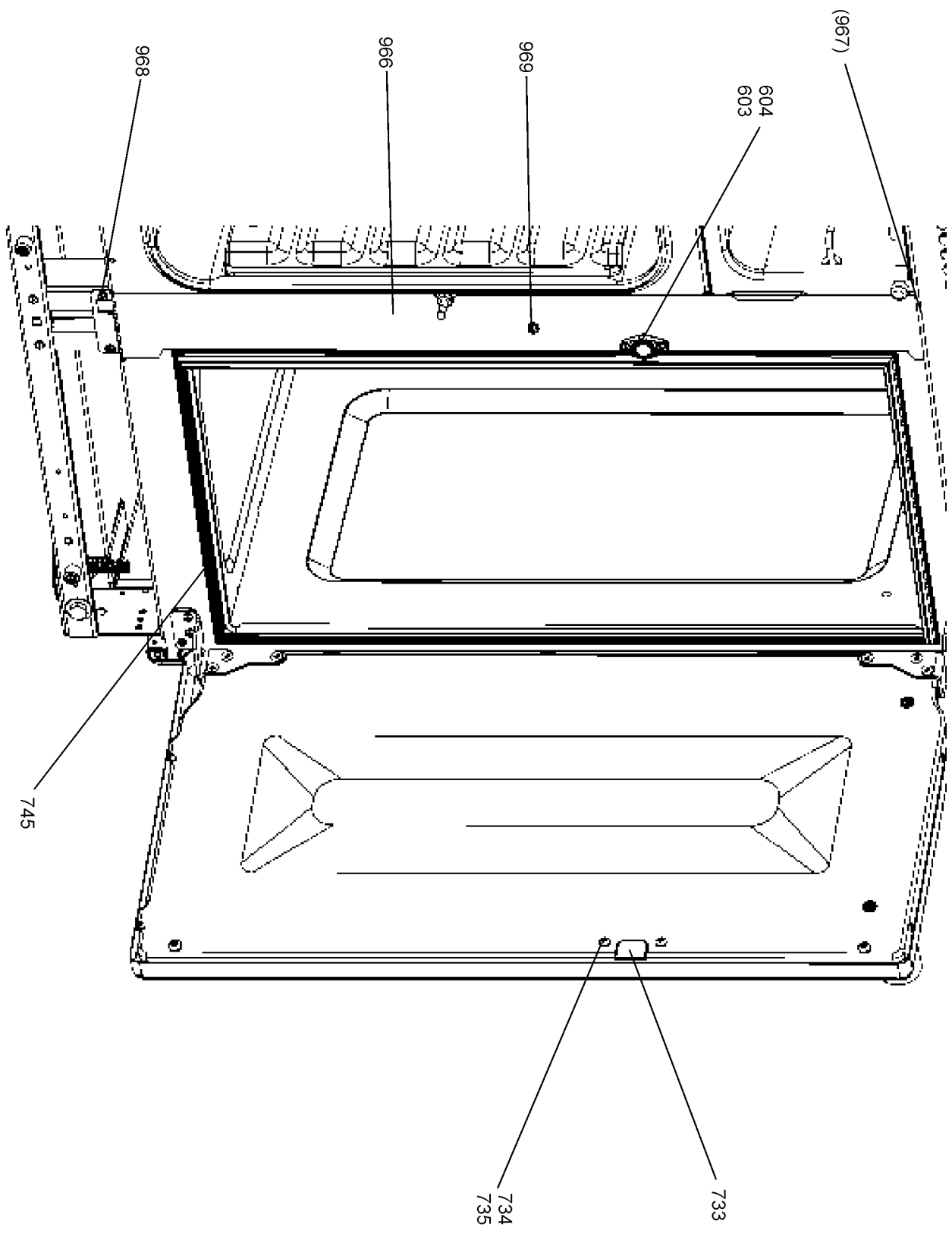
# FALCON 900 DELUXE INDUCTION

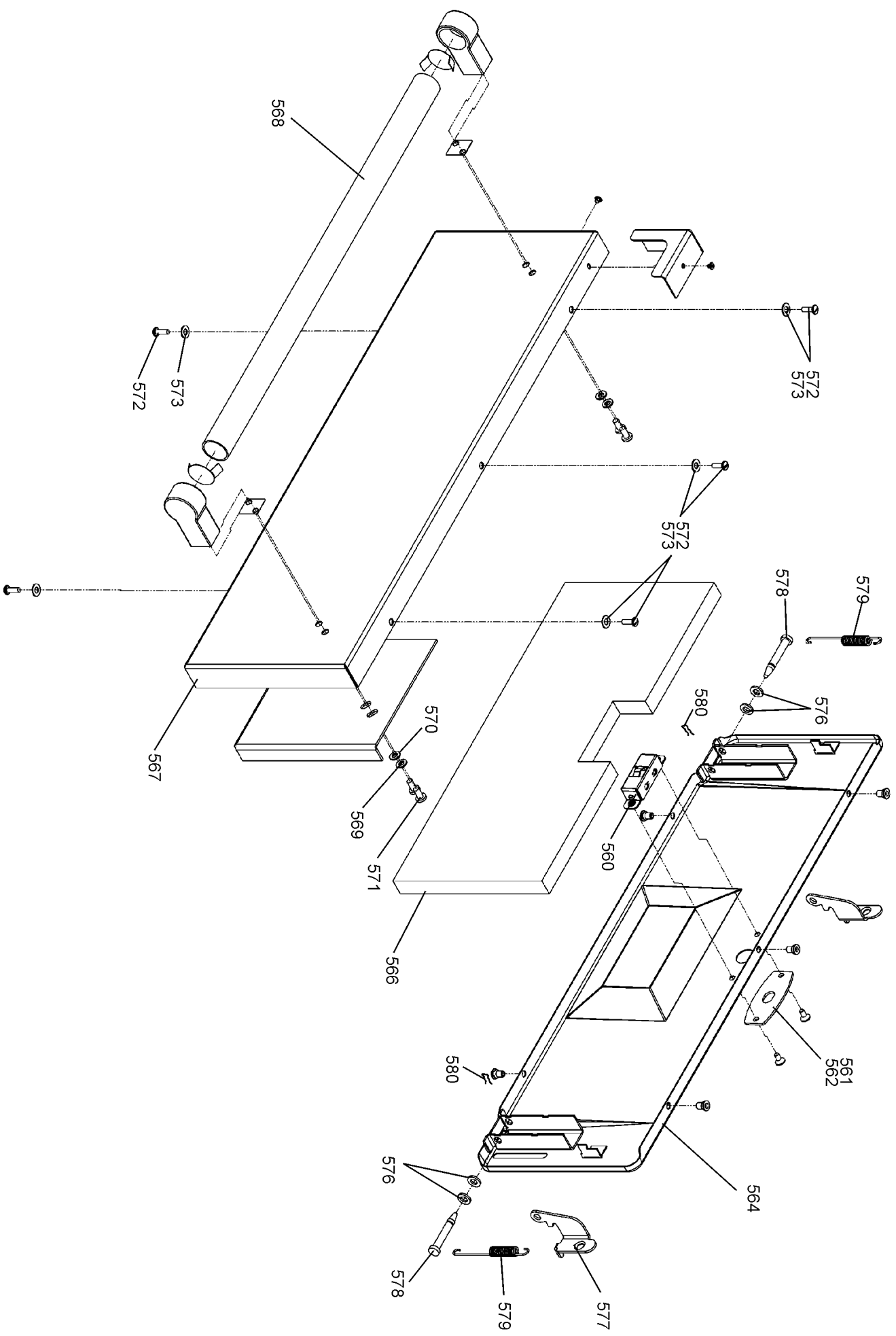
FROM SERIAL NUMBER 169000

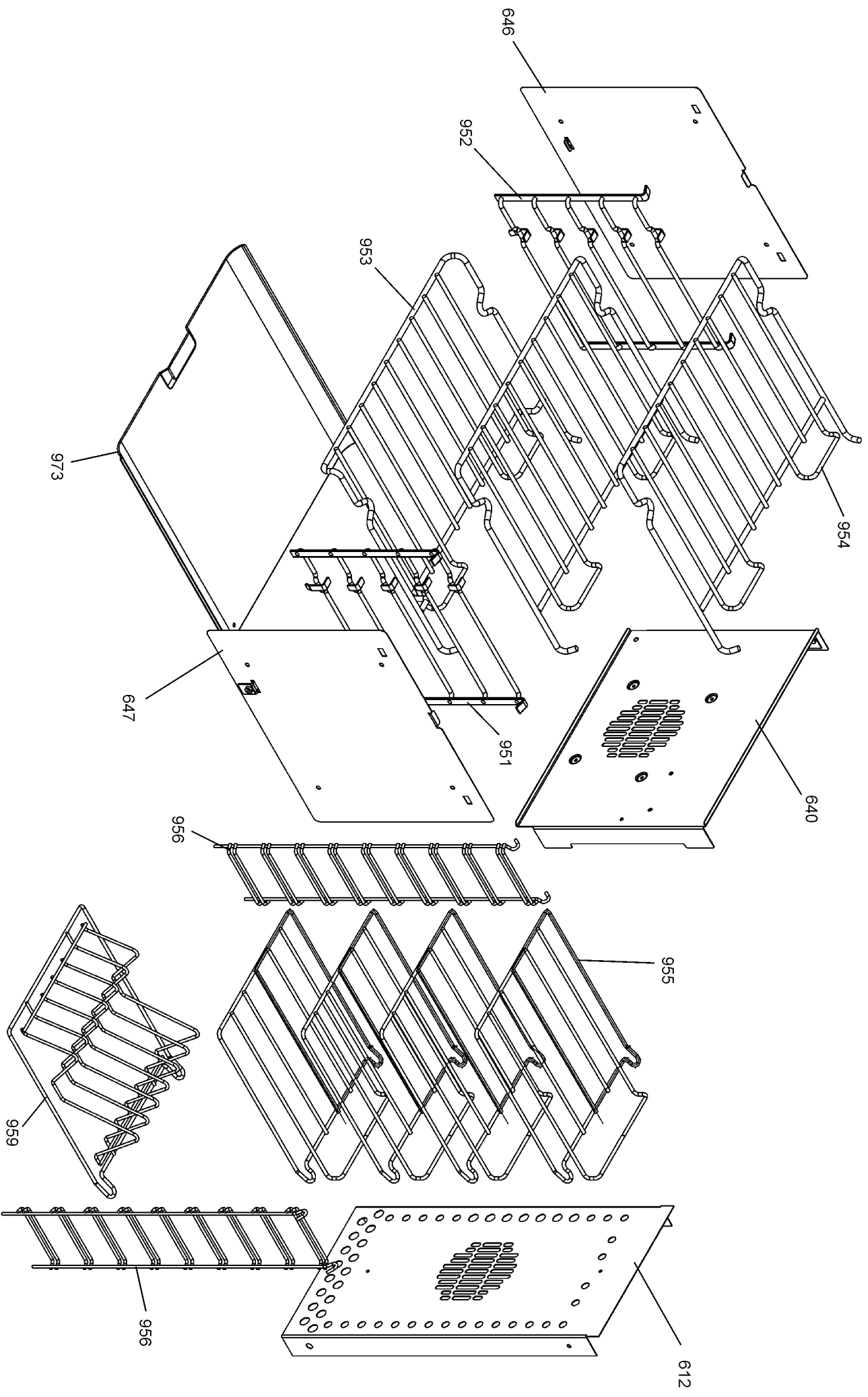
DATE 07.08.13

## DSL0361 P07A

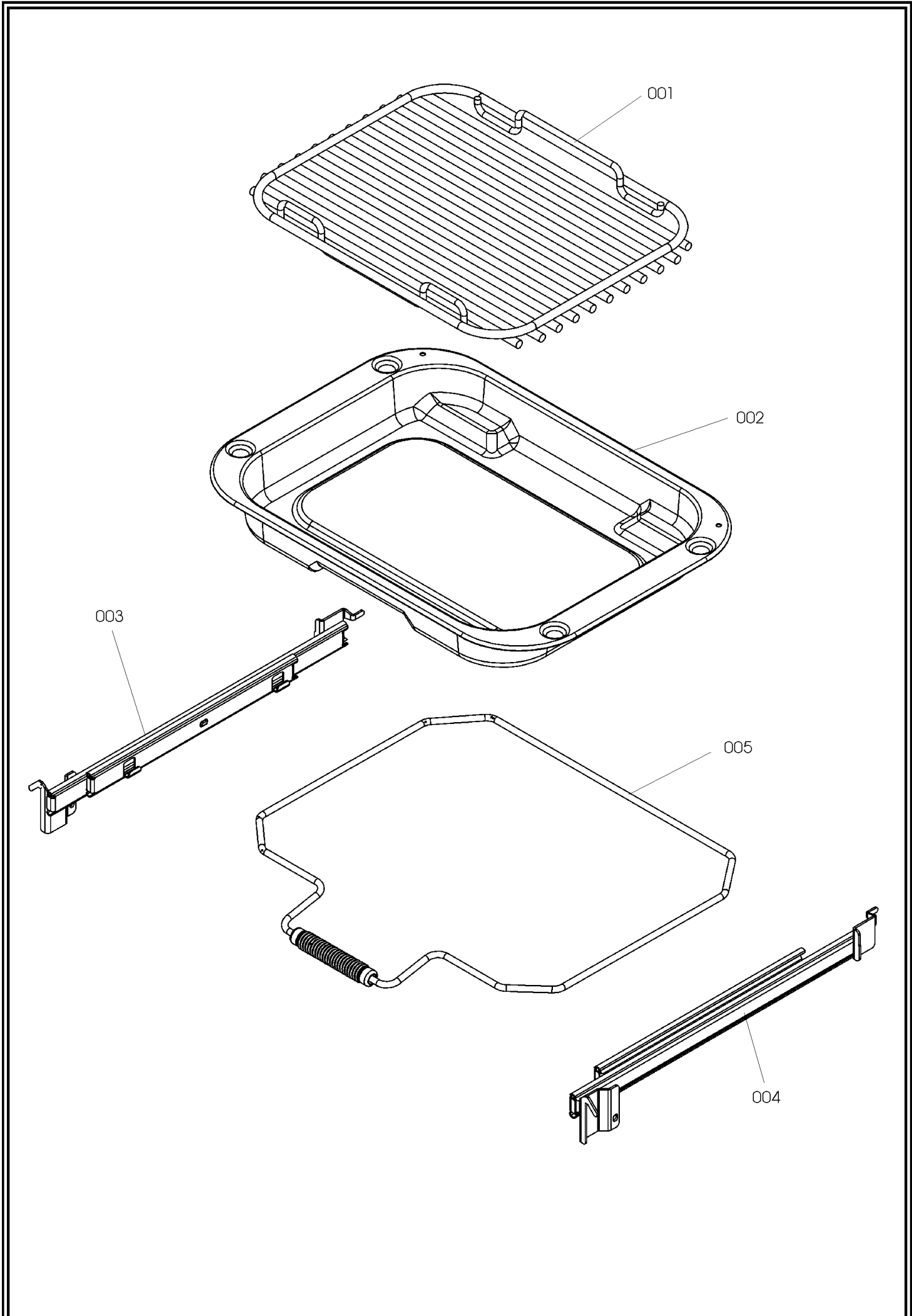
ISSUE STATUS 01











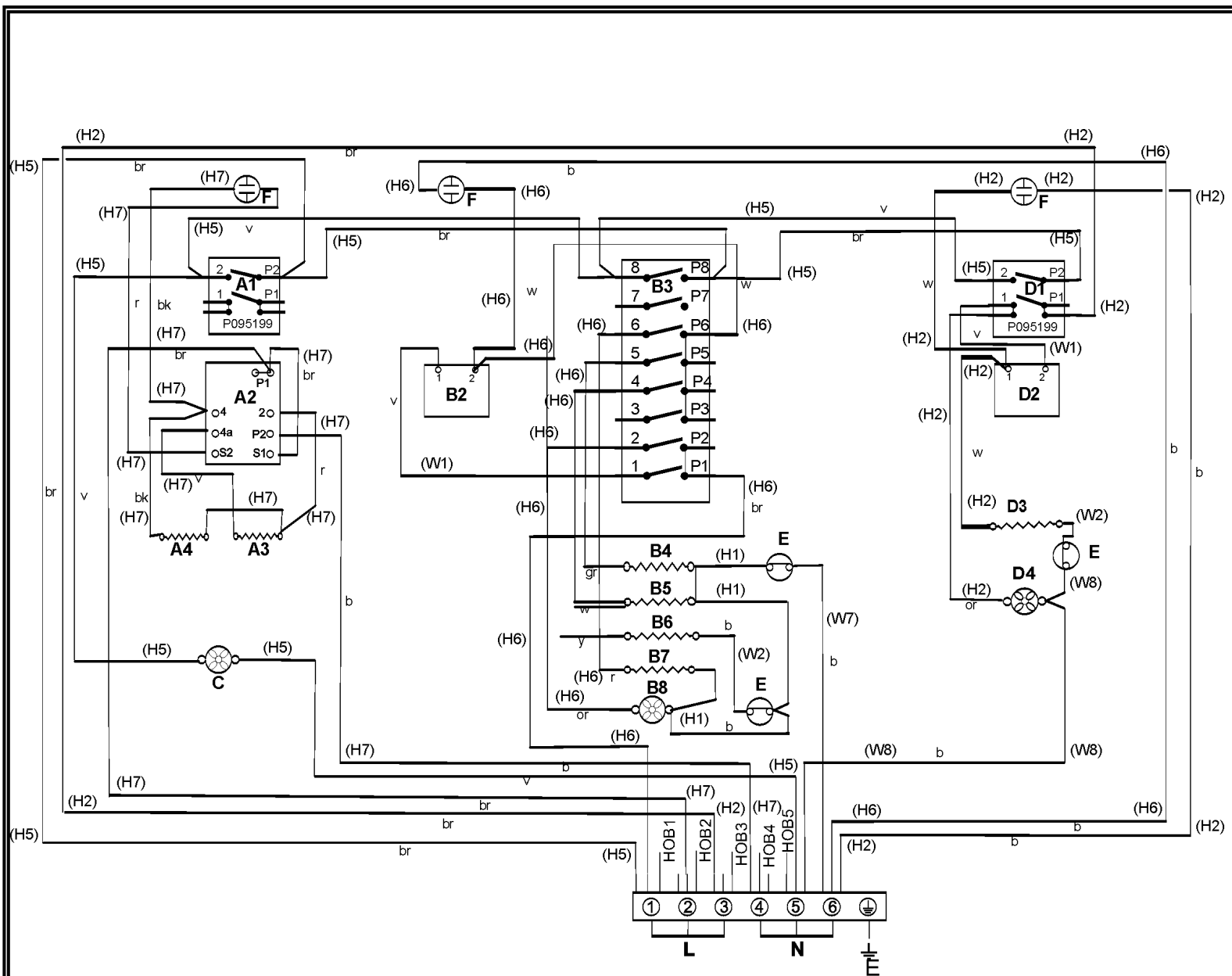


# FALCON 900 DELUXE INDUCTION

FROM SERIAL NUMBER 171000

# DSL0361 P011A

DATE 07.08.13 ISSUE STATUS 01

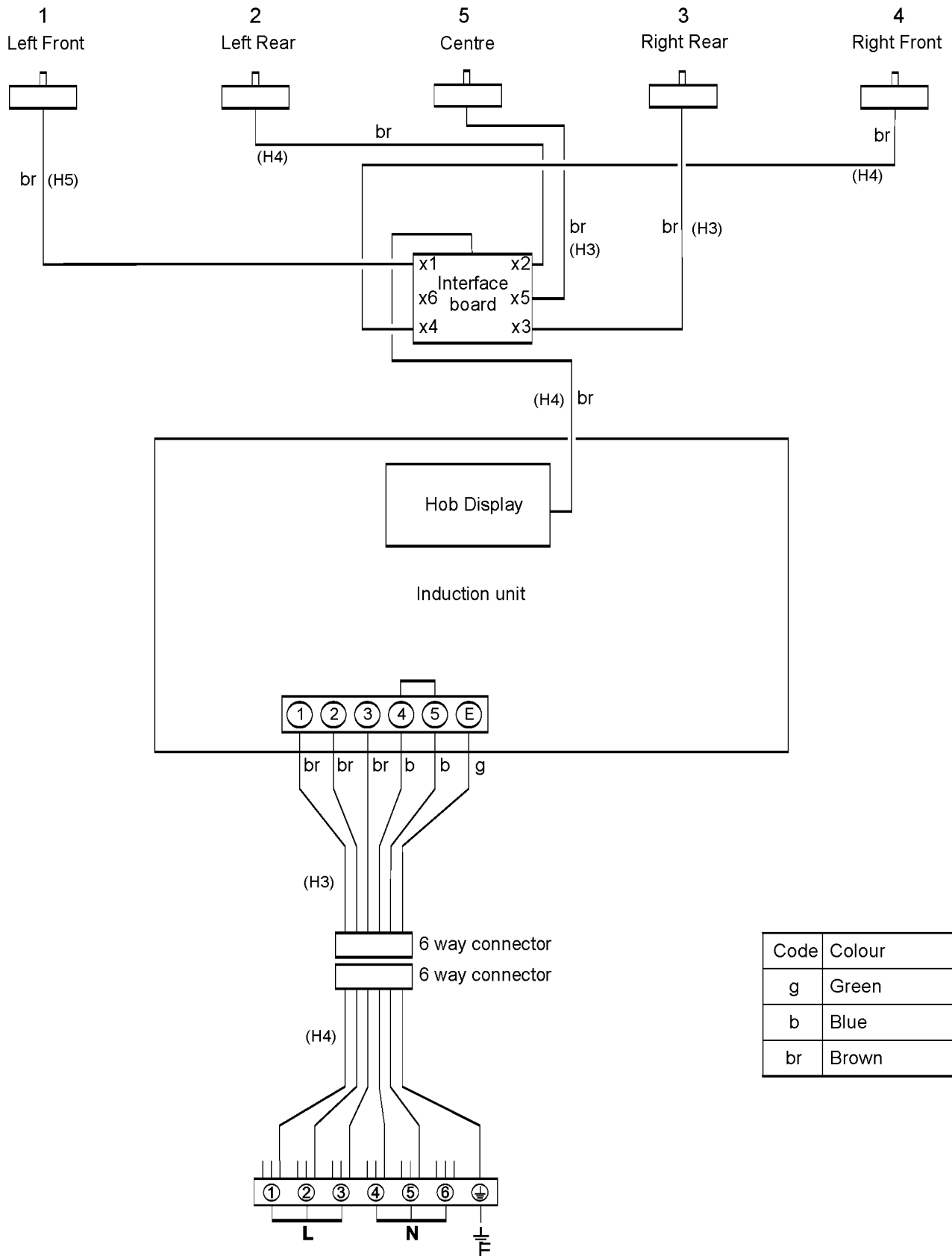


Ref N°	Part N°	Quantity	Remarks
W1	P033086	2	Wire asy - Thermostat links
H1	P033089	1	Multi-function neutral link
W2	P040066	2	Wire asy
H2	P043339	1	Harness - Tall oven
W3	P043936	2	Rotary switch to interface board
W4	P043937	2	Rotary switch to interface board
W5	P043939	1	Rotary switch to interface board
NI	P050327	1	Wire asy - Earth links
H3	P051610	1	Induction unit to connector block
W6	P051766	1	Hob display to interface board
W7	P052092	1	Neutral return RH oven
H4	P052281	1	Terminal block to connector block
NI	P055374	2	Grill earths
H5	P059542	1	Cooling harness
H6	P059644	1	LH oven harness
NI	P033678	1	Earth RH thermostat wiring
H7	P041101	1	Harness - Grill
W8	P027733	1	Wire asy

Code	Component
A1	Grill front Switch
A2	Grill Control
A3	LH grill element
A4	RH grill element
B2	LH oven t/stat
B3	LH M/F oven switch
B4	LH oven top element
B5	LH oven browning elem't
B6	LH fan element
B7	LH oven base element
B8	LH oven fan
C	Cooling fan
D1	RH oven front switch
D2	RH oven t/stat
D3	RH oven fan element
D4	RH oven fan
E	Thermal cut-out
F	Neons

Code	Colour
b	Blue
br	Brown
bk	Black
or	Orange
r	Red
v	Violet
w	White
y	Yellow
g/y	Green/Yellow
gr	Grey

## Induction Hob Circuit Diagram



Code	Colour
g	Green
b	Blue
br	Brown