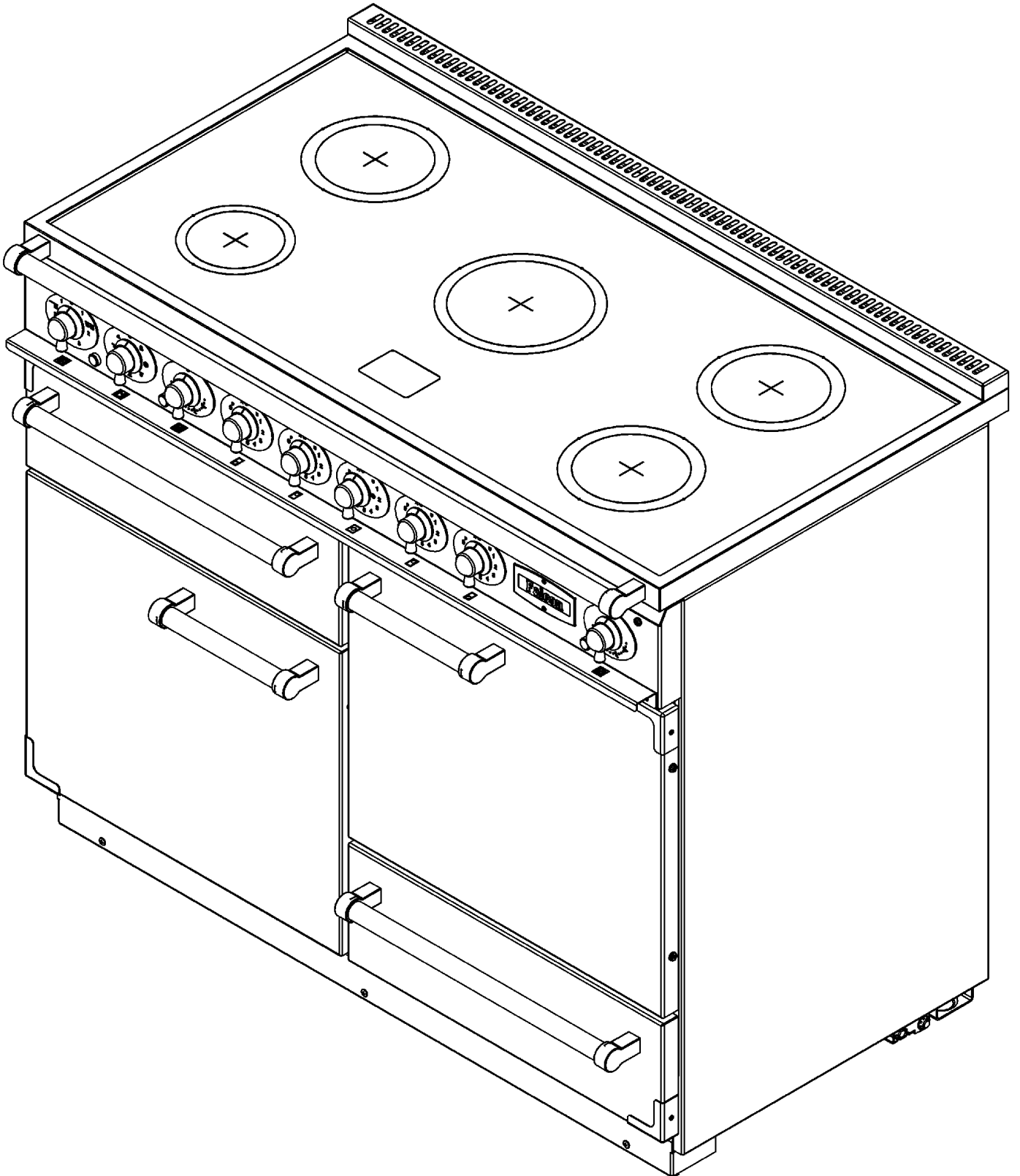
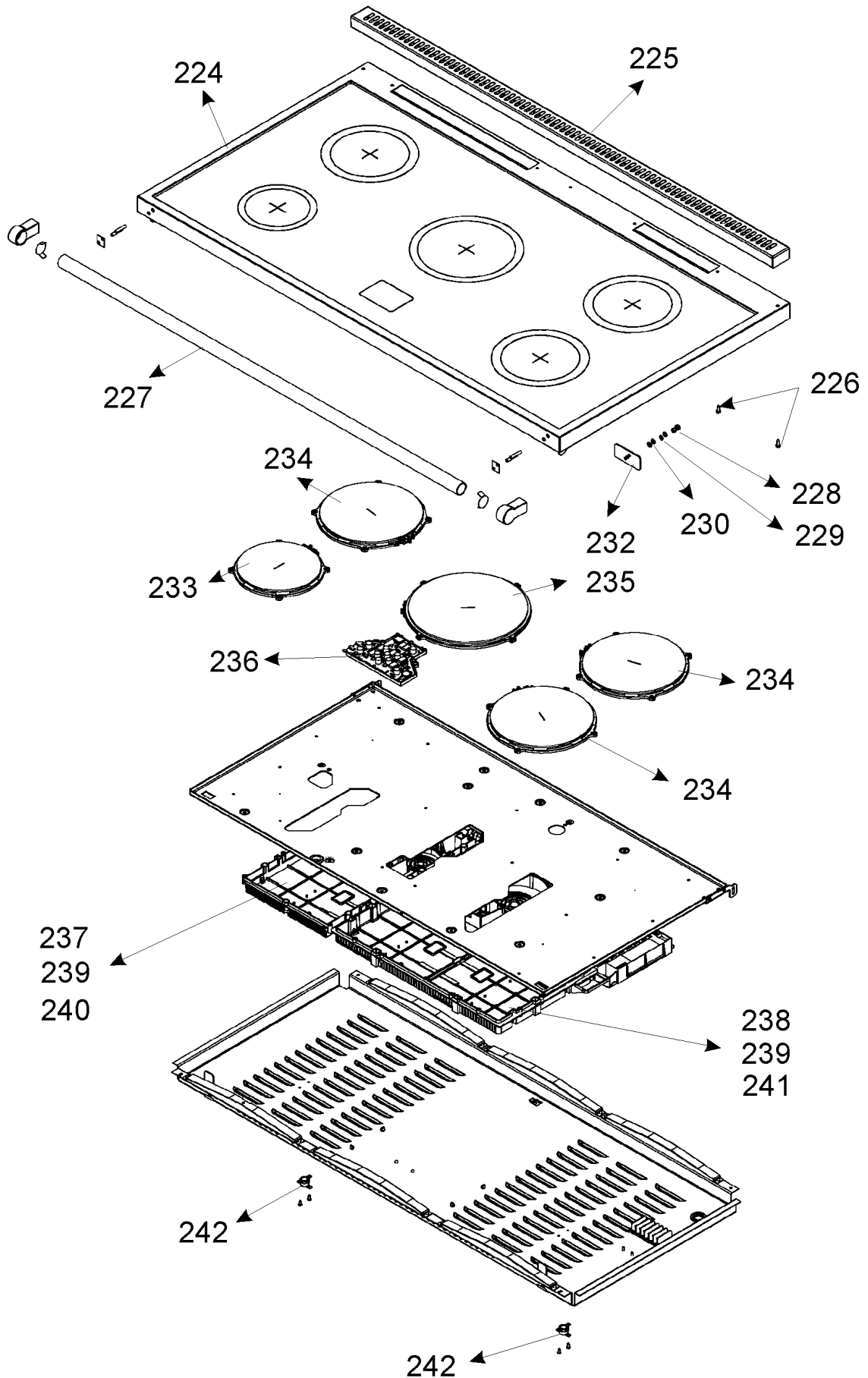


APPLIANCE NAME:  
FALCON 1092 DELUXE INDUCTION

DSL0339 P00  
DATE 27.05.07 ISSUE STATUS 01

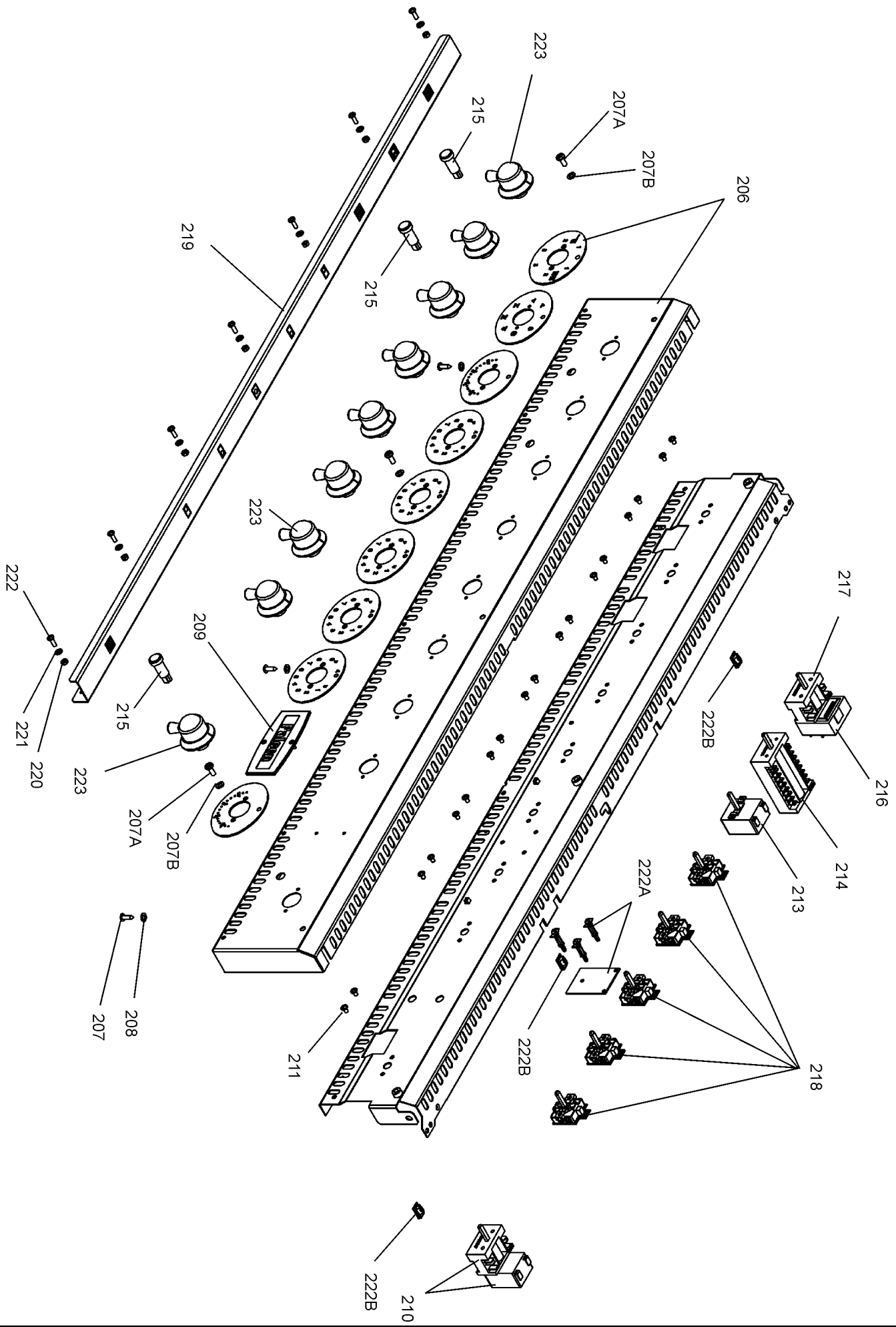


UP TO SERIAL NUMBER 161999

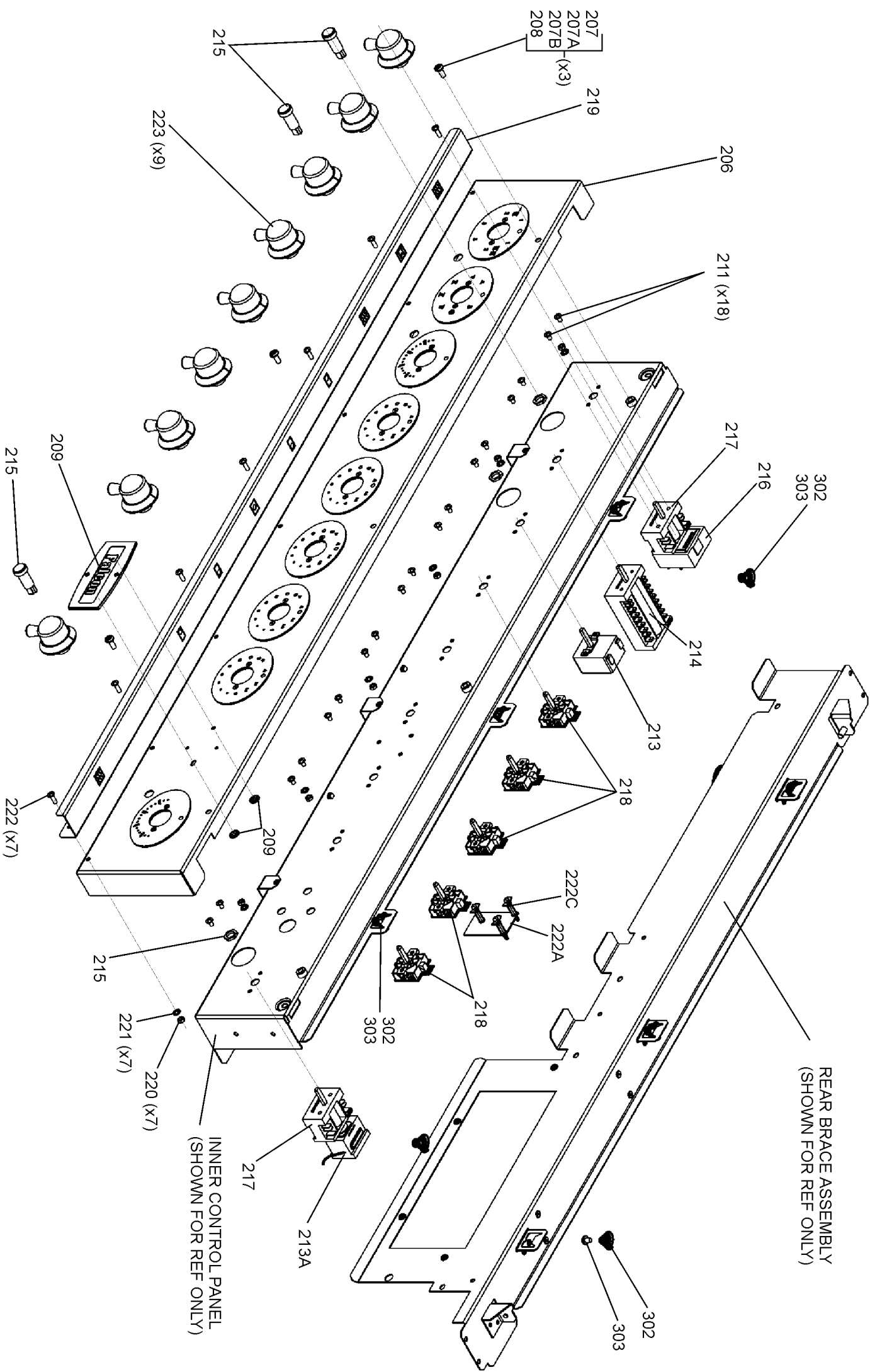




UP TO SERIAL NUMBER 161999

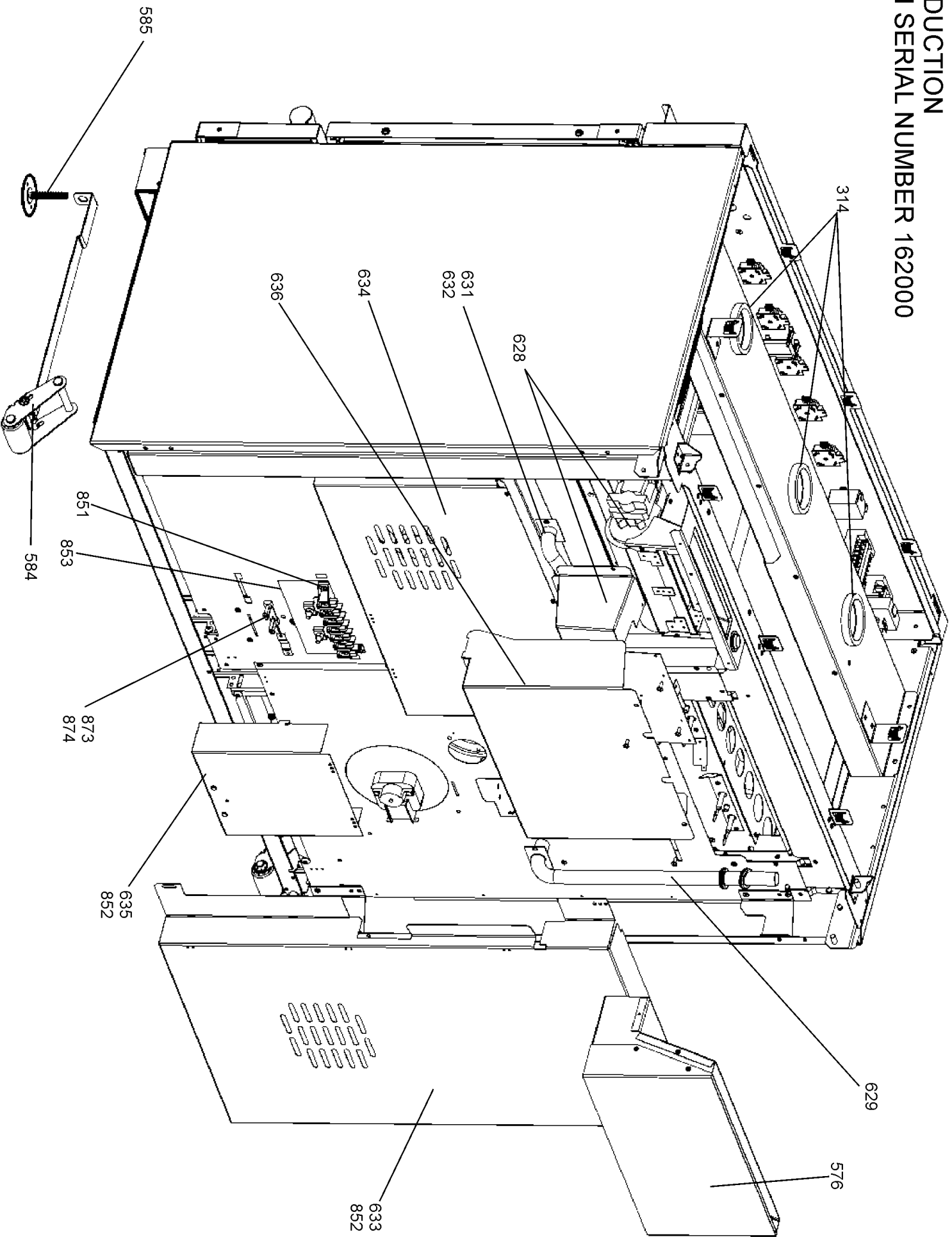


G5 INDUCTION  
FROM SERIAL NUMBER 162000

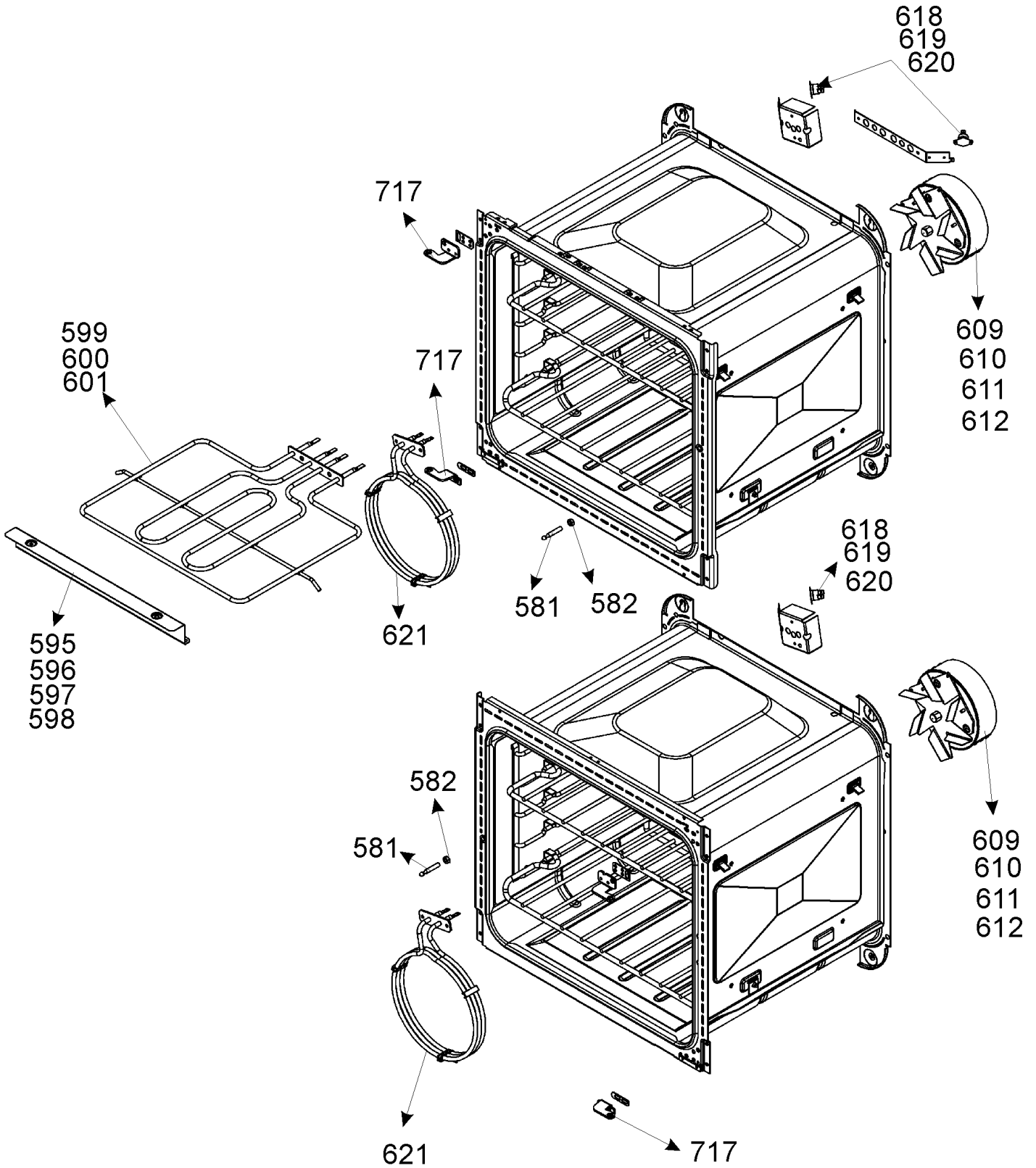




G5 INDUCTION  
FROM SERIAL NUMBER 162000

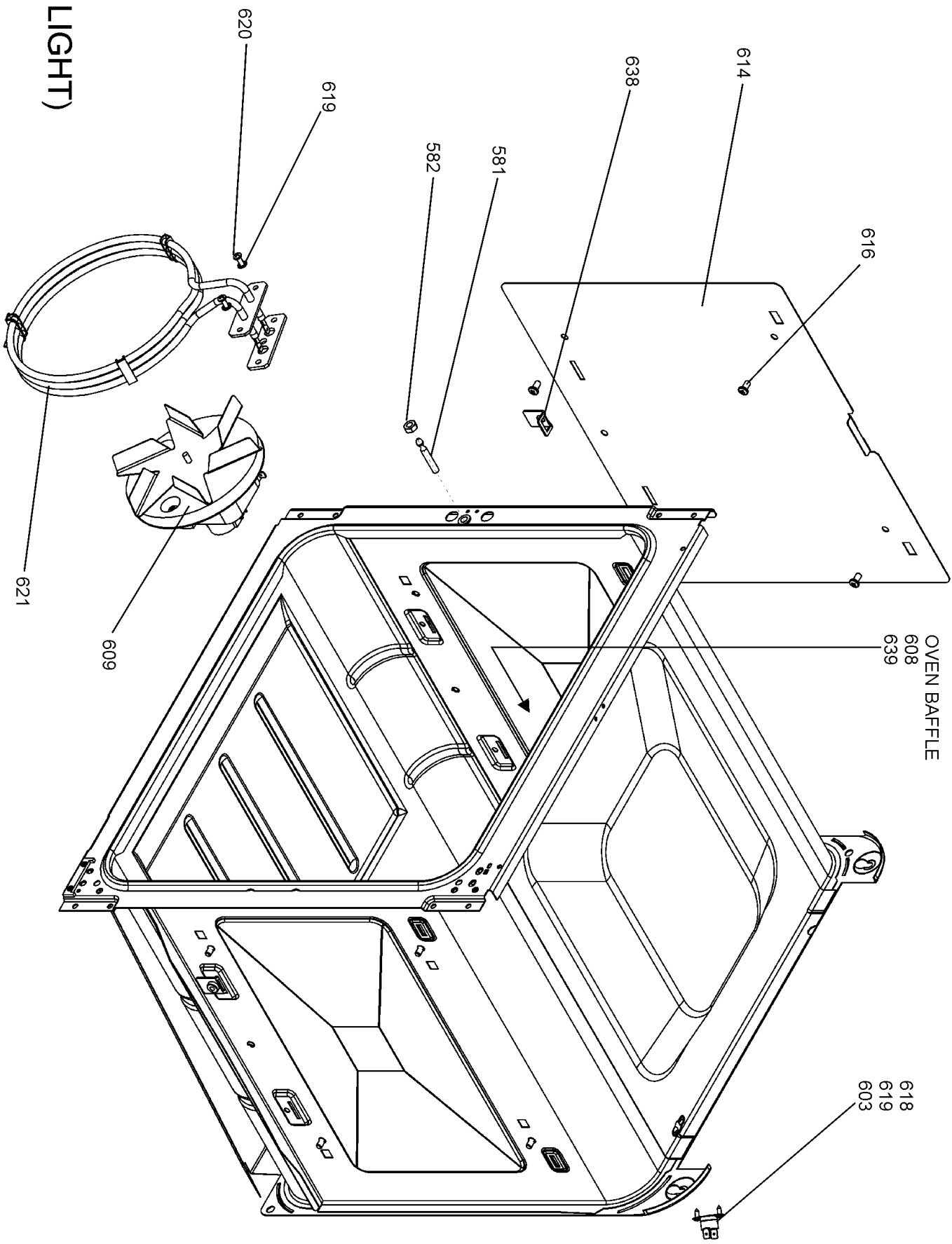


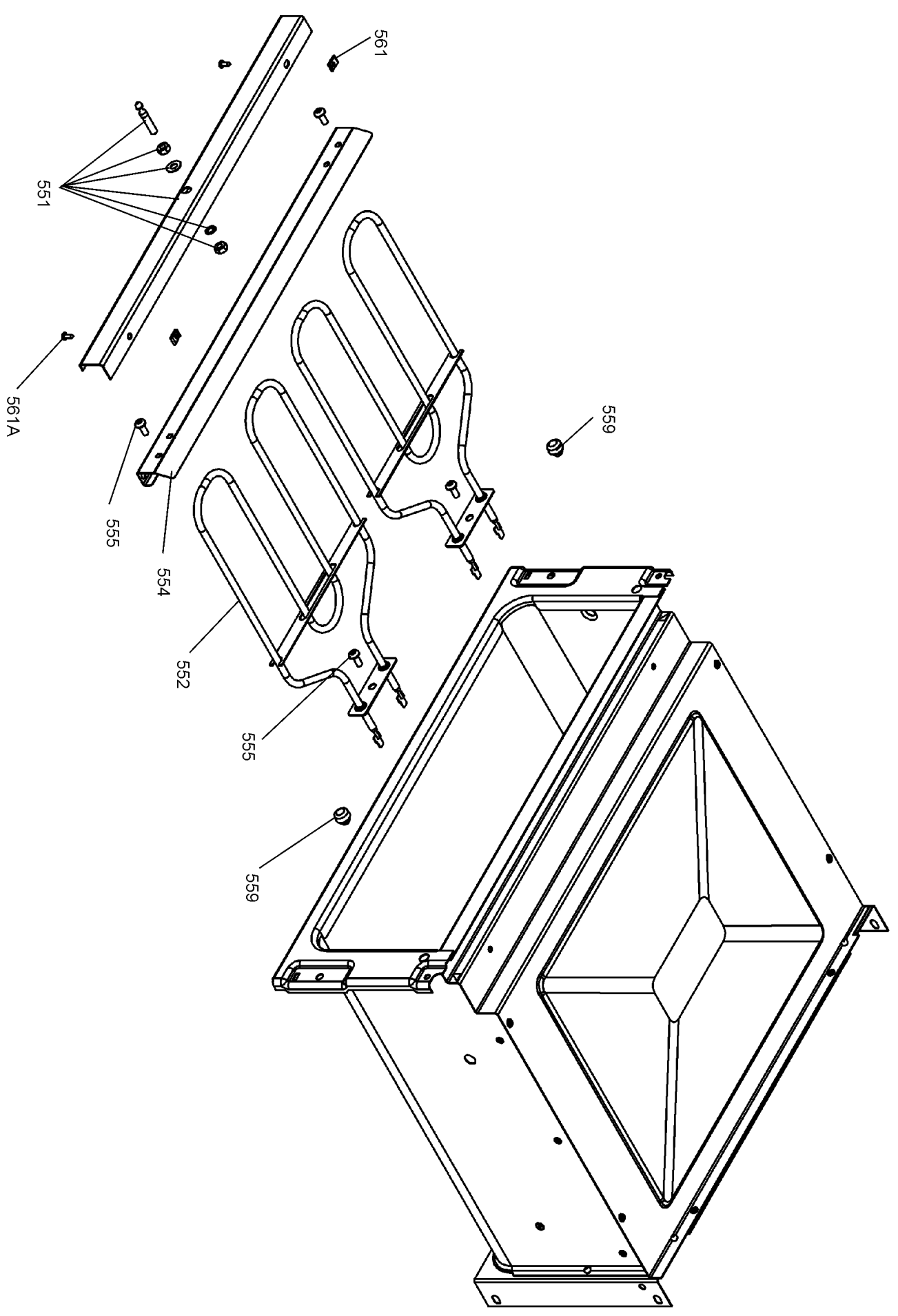
UP TO SERIAL NUMBER 161999

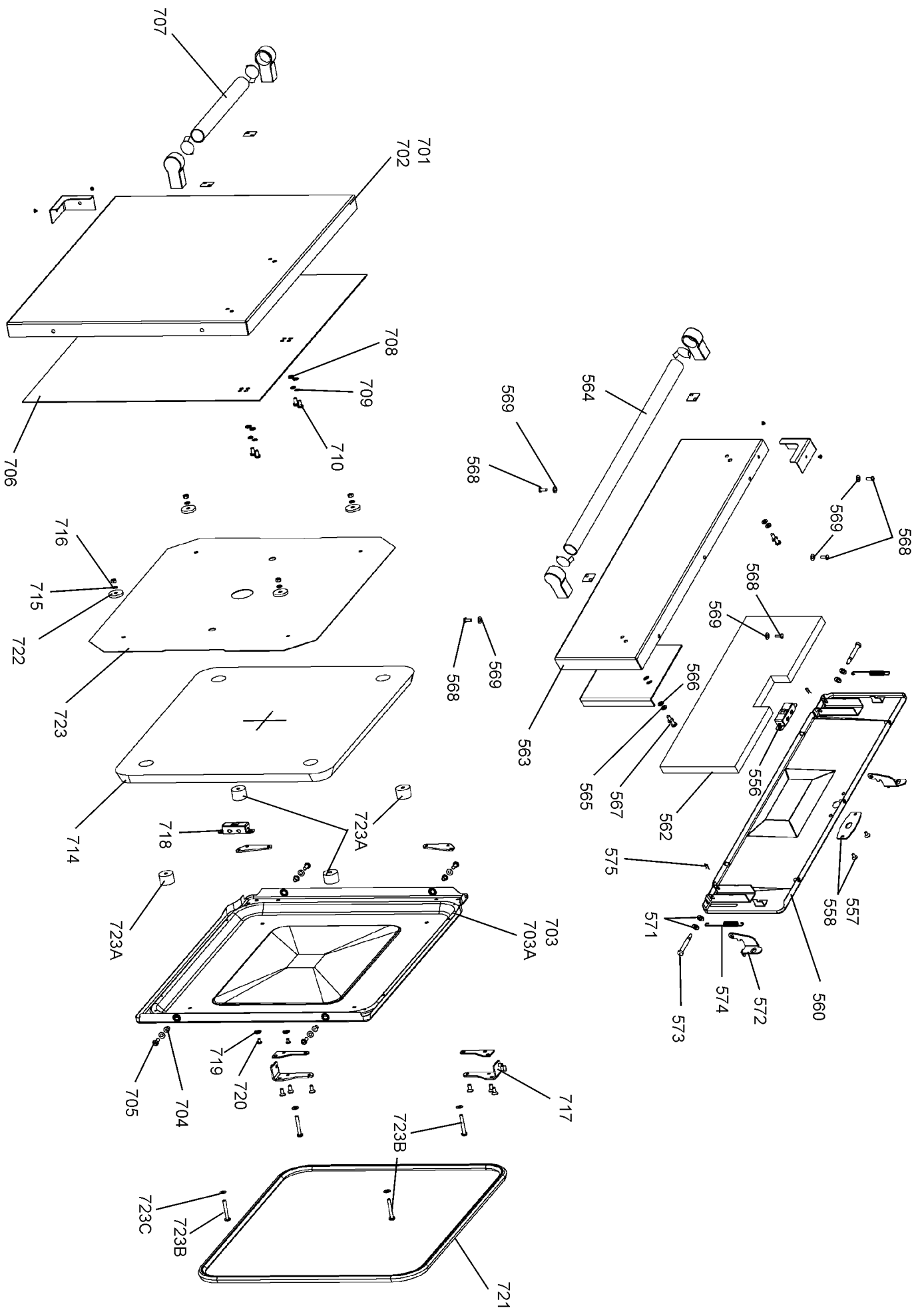




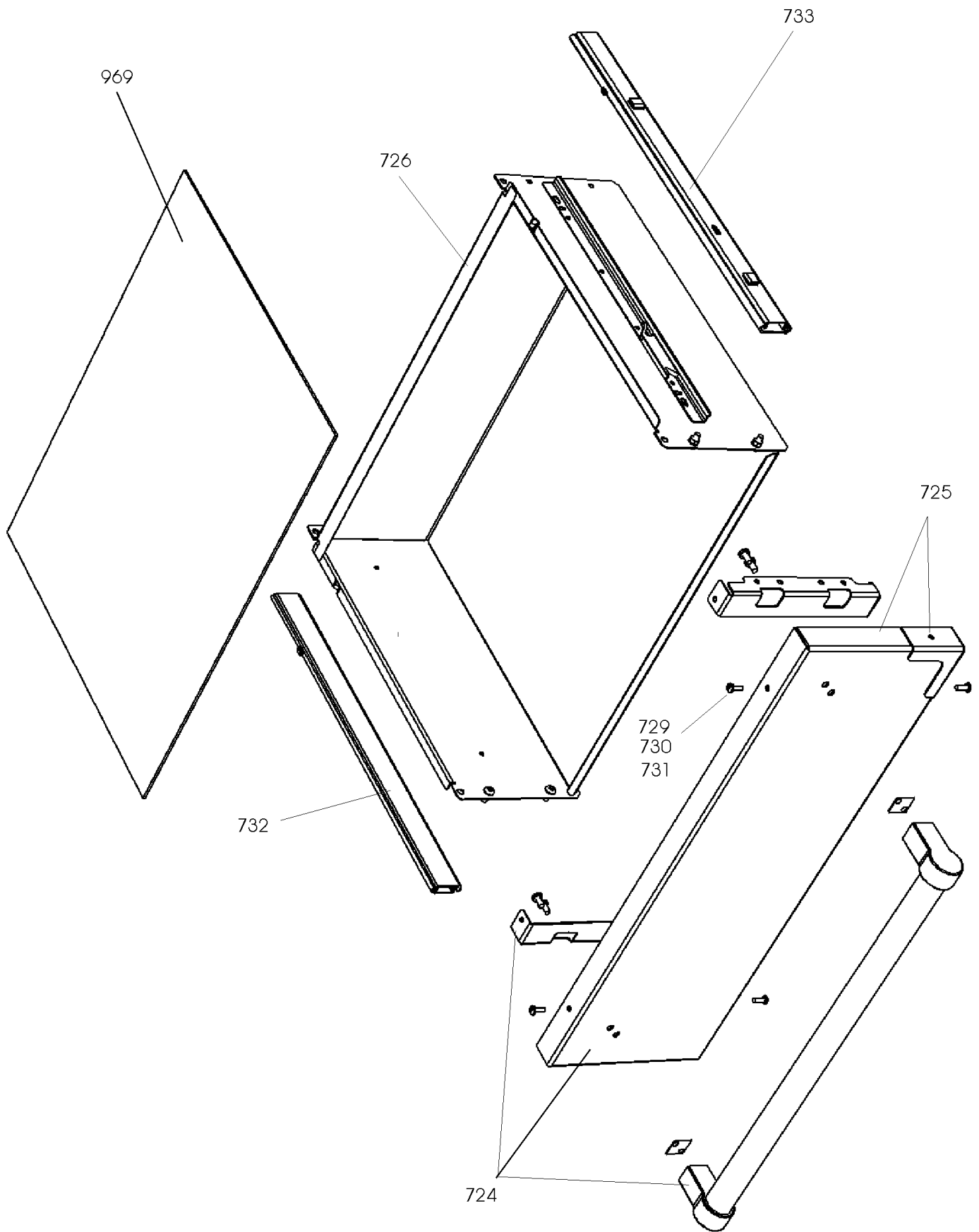




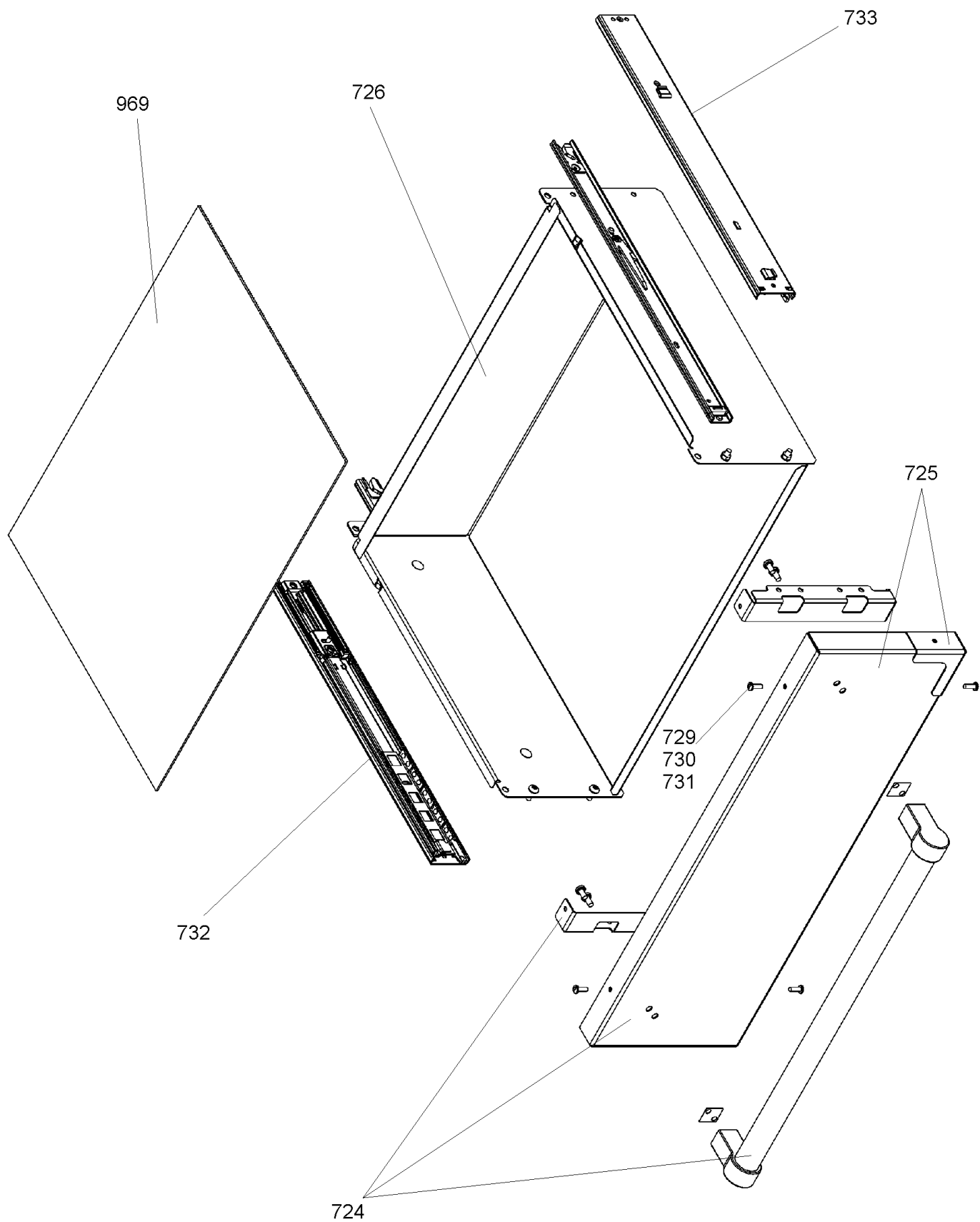


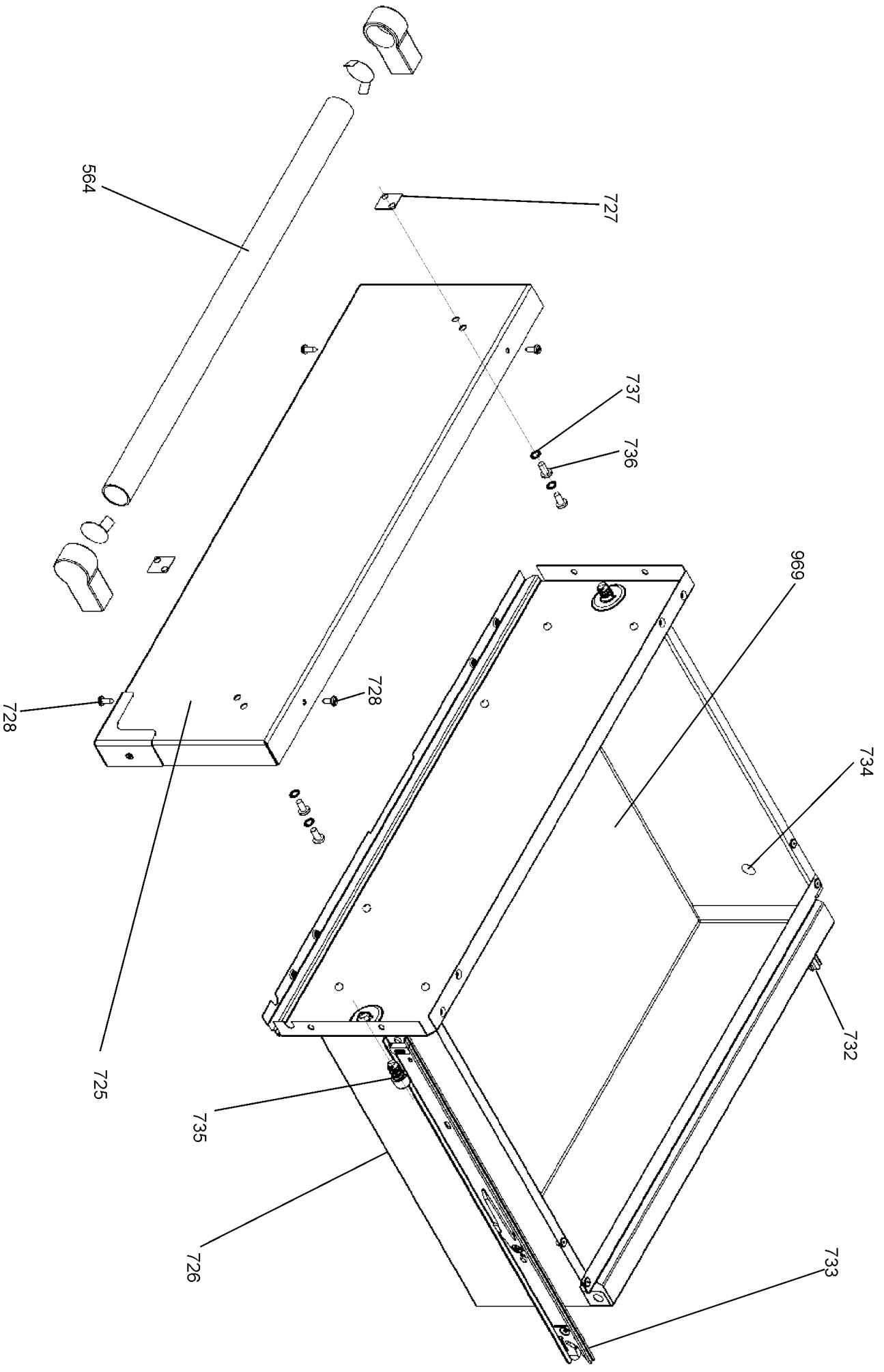


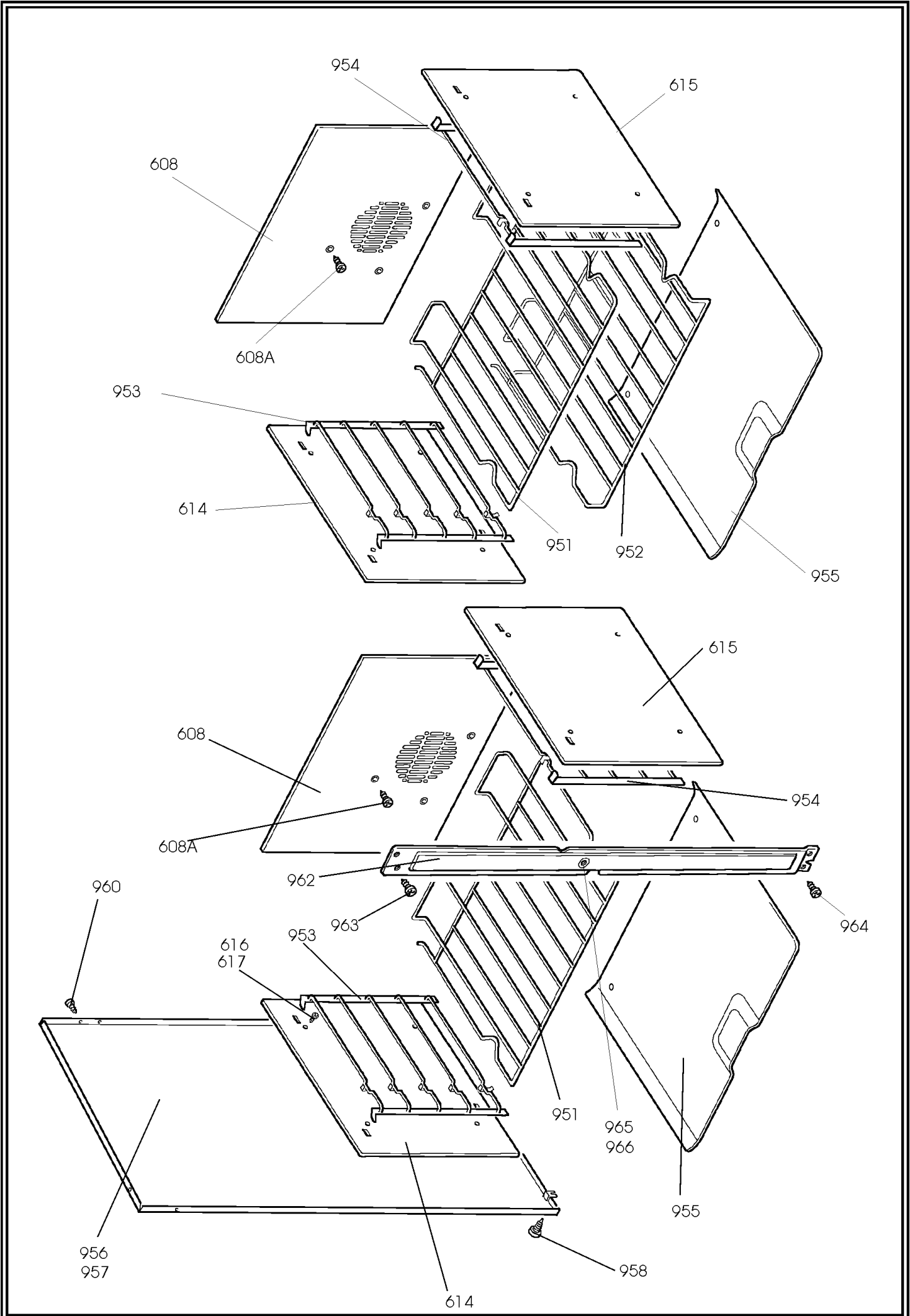
UP TO SERIAL NUMBER 151999



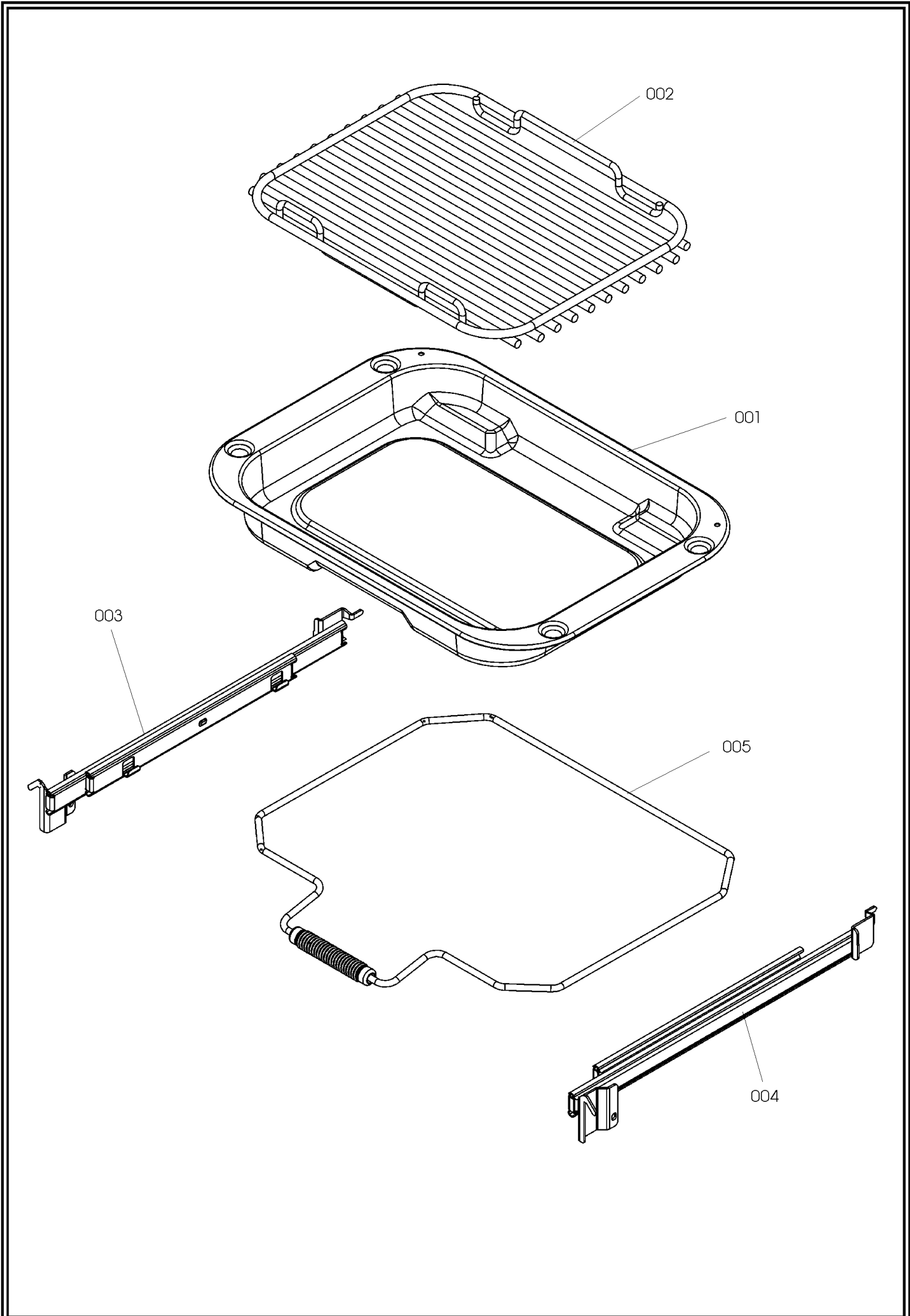
FROM SERIAL NUMBER 152000  
UP TO SERIAL NUMBER 161999





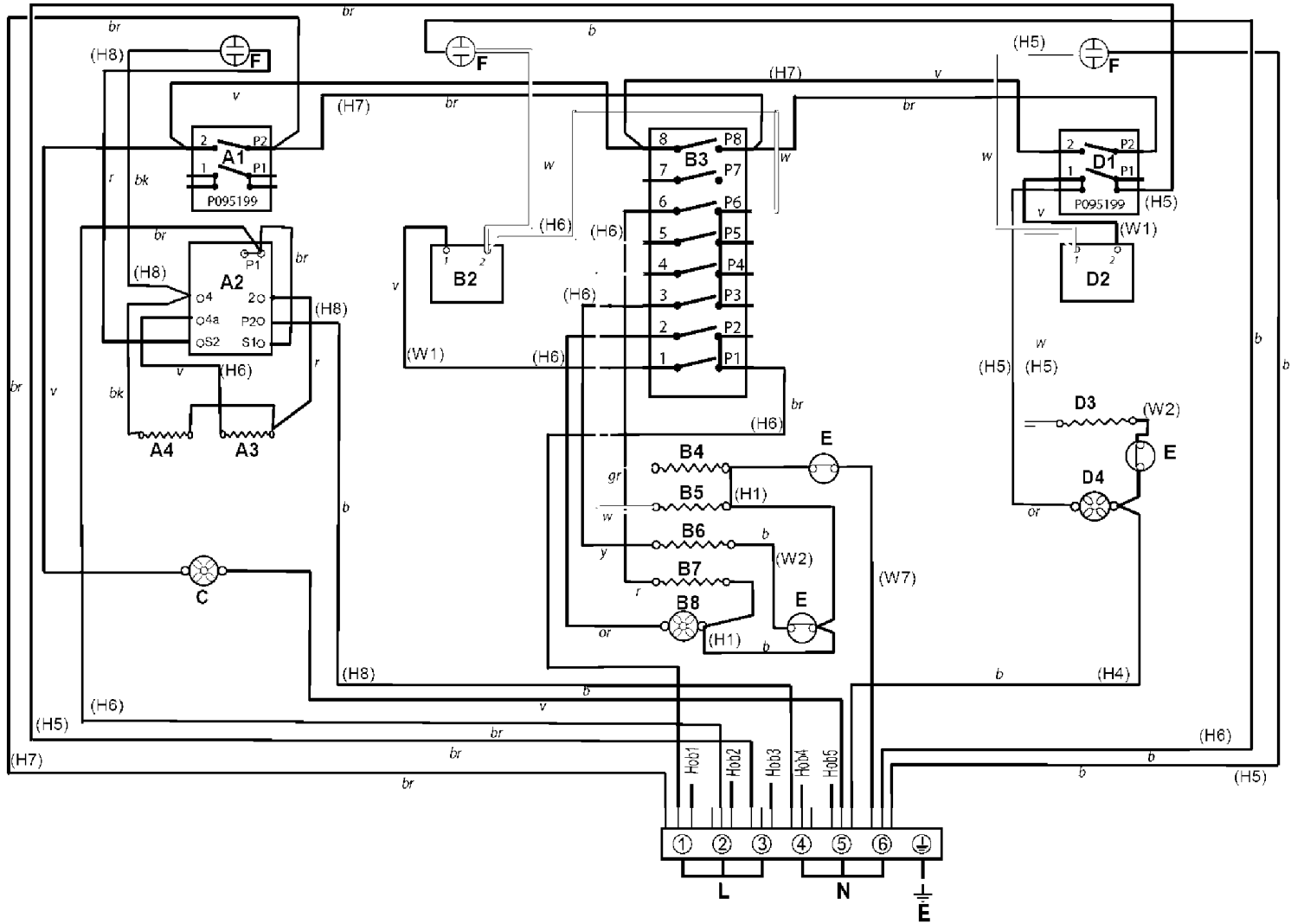








FROM SERIAL NUMBER 162000



Ref No.	Part No.	Quantity	Remarks
(W1)	P033086-01	2	RH & LH Oven Switches to Thermostats.
(H1)	P033089-01	1	Multifunction Oven Neutral links
Ni	P033678-01	1	RH Stat Earth
(W2)	P040066-03	2	Oven LVD neutral links
(H5)	P040978-02	1	RH Oven Harness
(H6)	P059644-01	1	LH Oven Harness
(W3)	P043936-01	2	PCB/Rotary Control
(W4)	P043937-01	2	PCB/Rotary Control
(W5)	P043939-01	1	PCB/Rotary Control
(H8)	P041101-02	1	Grill Harness
Ni	P050327-01	1	Earth, Ovens & Fan
(H3)	P051610-01	1	Top Connector/Induction
(W6)	P051766-01	1	PCB /K6
(W7)	P052092-01	1	Neutral
(H2)	P052281-01	1	Induction Supply Harness
Ni	P055374-01	2	Grill earths
(H7)	P059542-01	1	Cooling Harness

Code	Colour
b	Blue
br	Brown
bk	Black
or	Orange
r	Red
v	Violet
w	White
y	Yellow
g/y	Green/Yellow
gr	Grey

Code	Component
A1	Grill front Switch
A2	Grill Control
A3	LH grill element
A4	RH grill element
B1	LH oven front switch
B2	LH oven t/stat
B3	LH M/F oven switch
B4	LH oven top element
B5	LH oven browning elem't
B6	LH fan element
B7	LH oven base element
B8	LH oven fan
C	Cooling fan
D1	RH oven front switch
D2	RH oven t/stat
D3	RH oven fan element
D4	RH oven fan
E	Thermal cut-out
F	Neons