

**FALCON DELUXE 1092 DUAL**

DATE: 25.04.03

**DSL0189 P00**

ISSUE: 01



# FALCON 1092 DELUXE DF

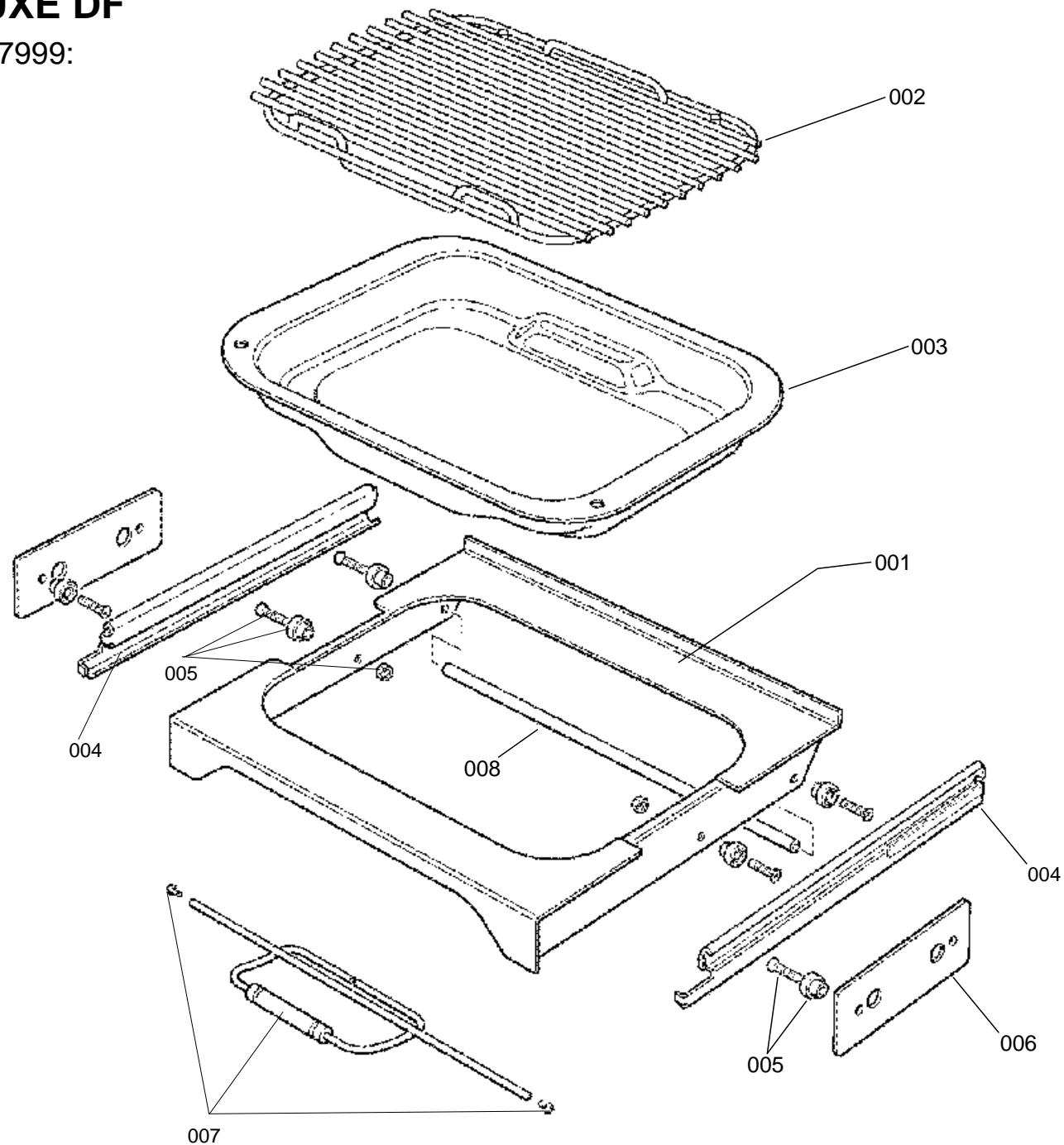
UP TO SERIAL NUMBER: 7999:

6913, 6915, 6916, 6919,  
6920, 7680, 7681, 7685,  
7686, 7687, 8058, 8059,  
8060, 8061

DATE: 28.03.07

DSL0189 P01

ISSUE: 02



**GRILL PAN**

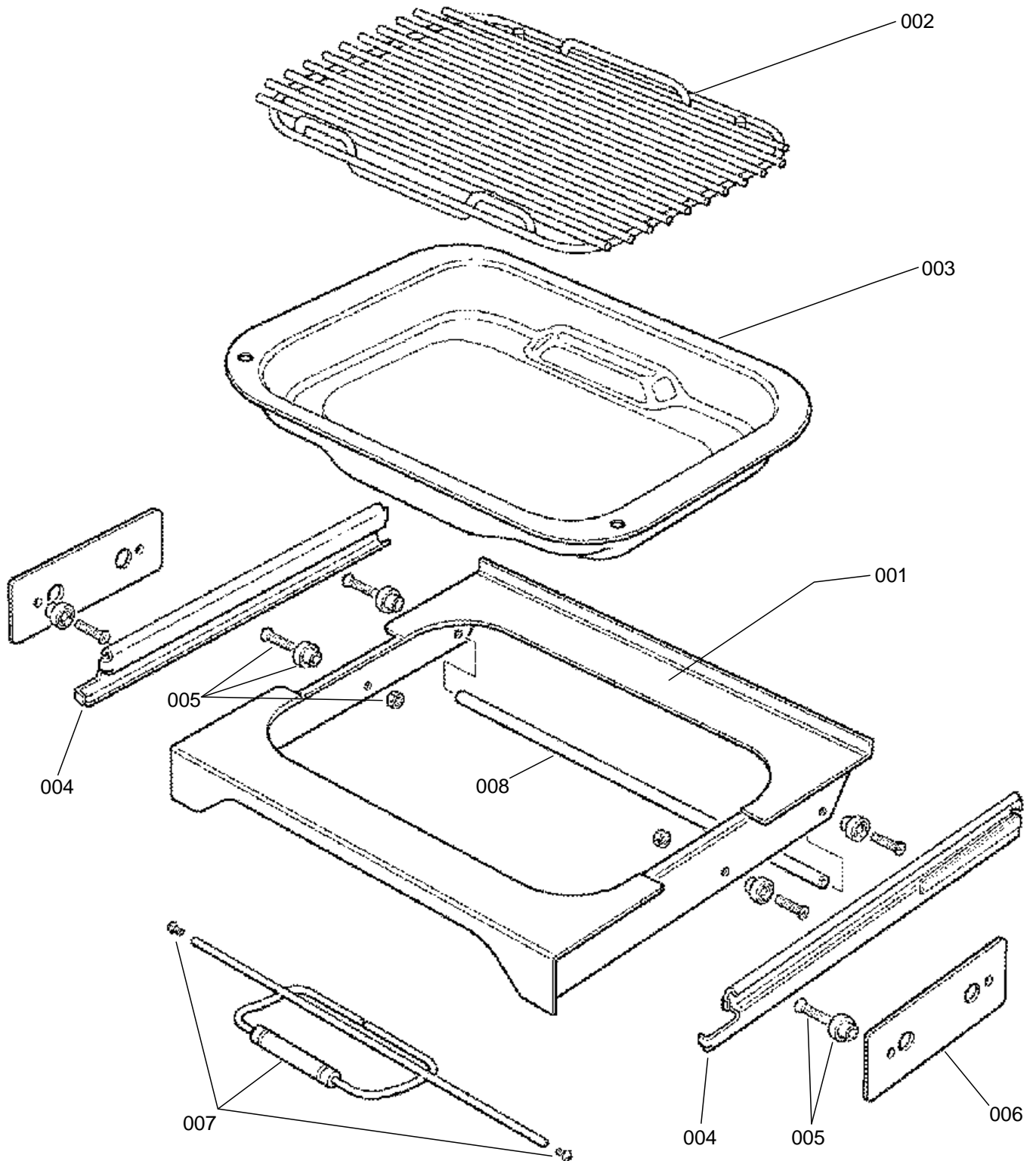
# FALCON 1092 DELUXE DF

DATE: 28.03.07

**DSL0189 P01**

ISSUE: 02

AS ORIGINAL BUILD : 6660,6914,  
6917, 6918, 6921 ,7678,  
7679, 7682, 7683 ,7684

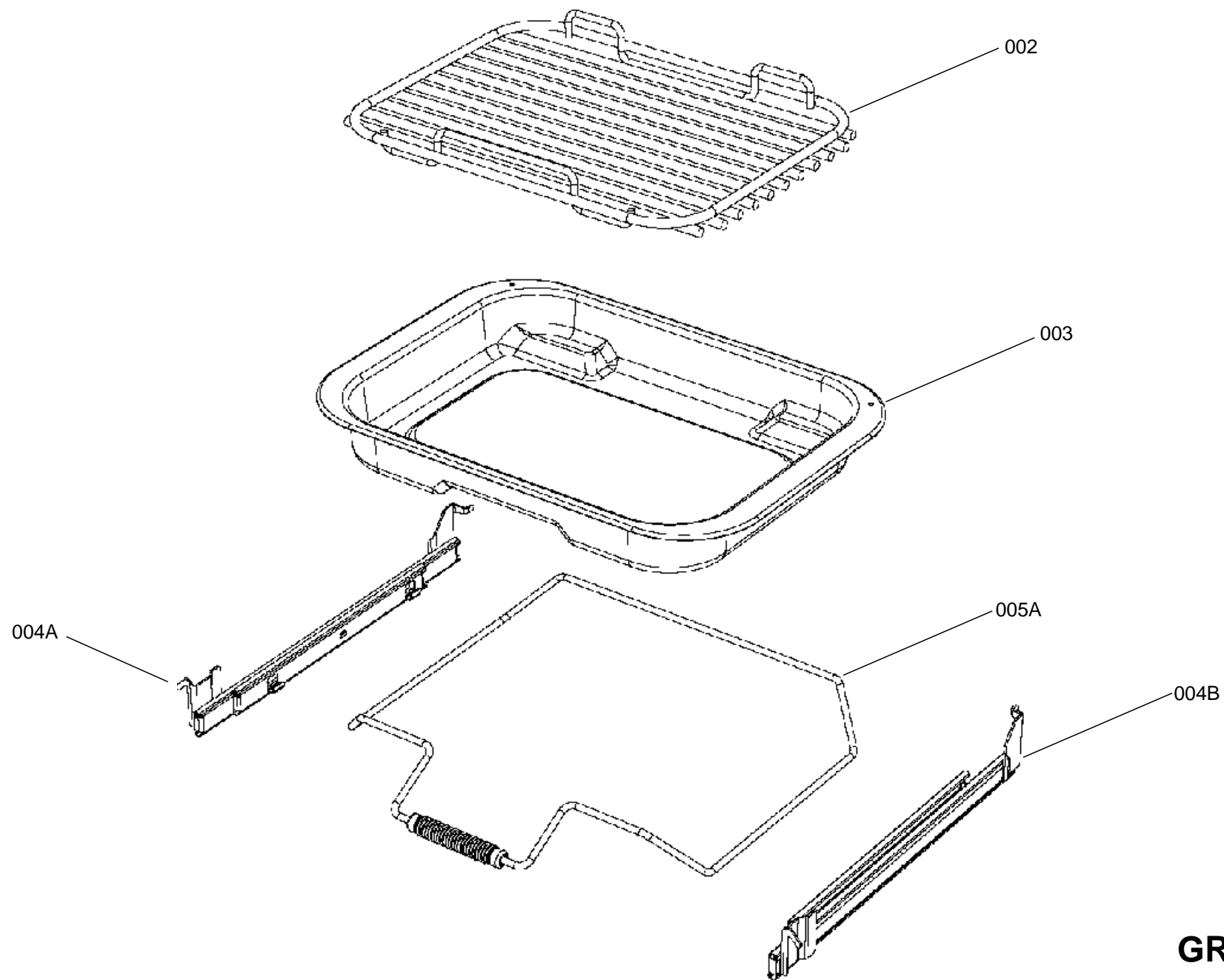


**GRILL PAN**

**FALCON 1092 DELUXE DF**  
FROM START: 8230, 8231- UP TO SERIAL NO: 10999

DATE 27.03.08

**DSL189 P01A**  
ISSUE:02



**GRILL PAN**

# FALCON 1092 DELUXE DF

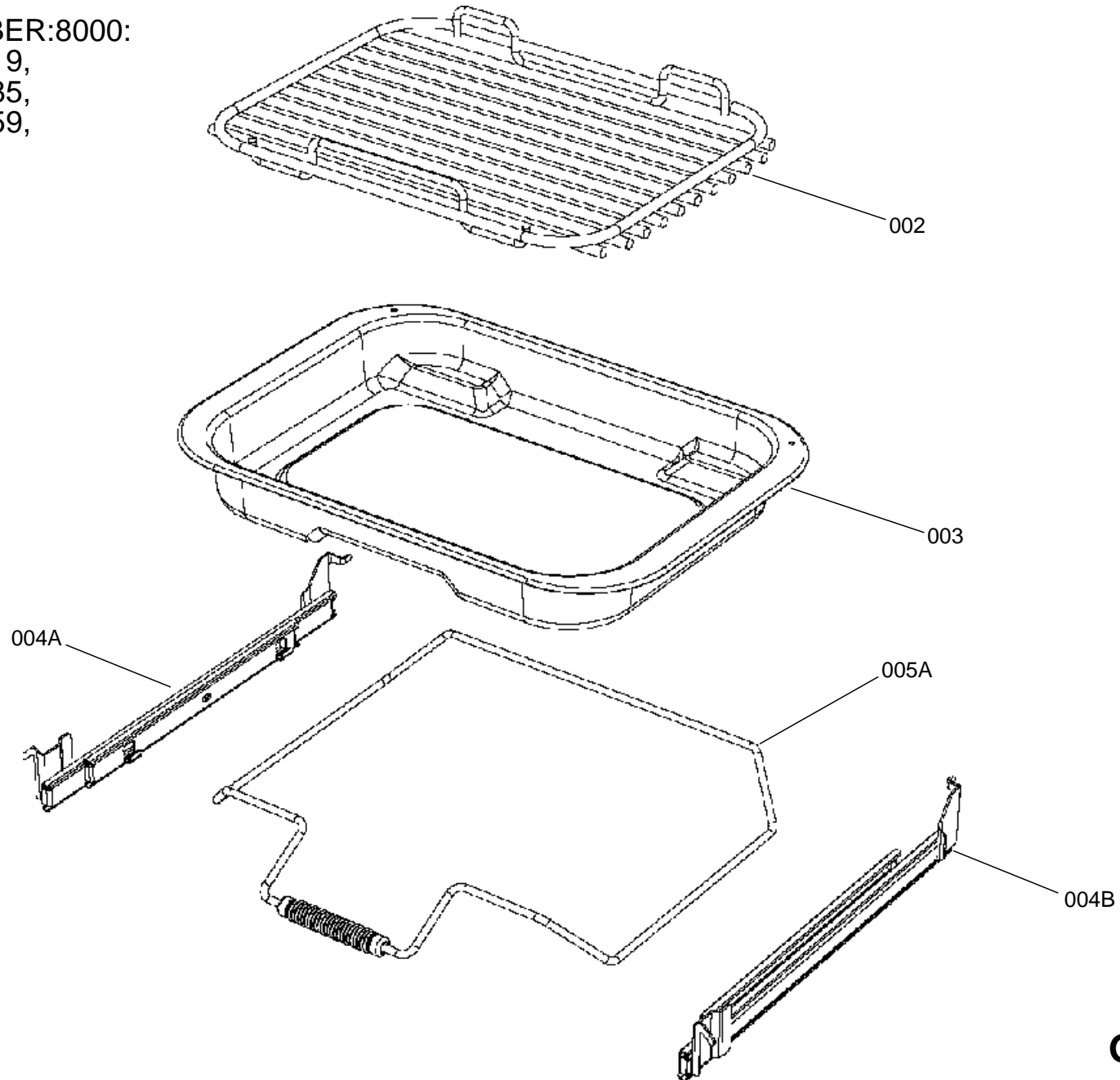
DATE 27.03.08

DSL189 P01A

ISSUE: 02

FROM SERIAL NUMBER:8000:

6913, 6915, 6916, 6919,  
6920, 7680, 7681, 7685,  
7686, 7687, 8058, 8059,  
8060, 8061



**GRILL PAN**

# FALCON 1092 DELUXE DF

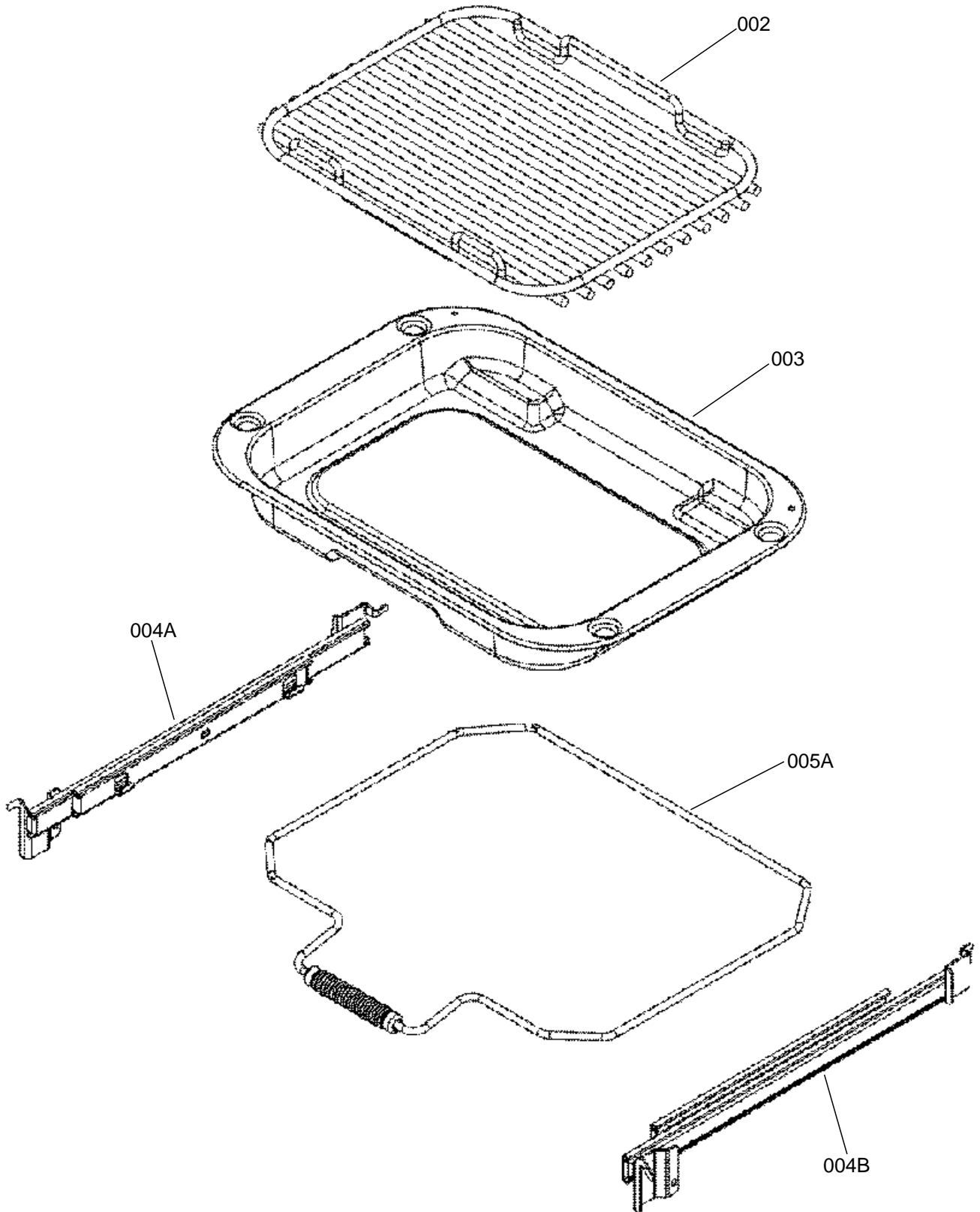
DATE: 03.06.2019

# DSL0189 P01B

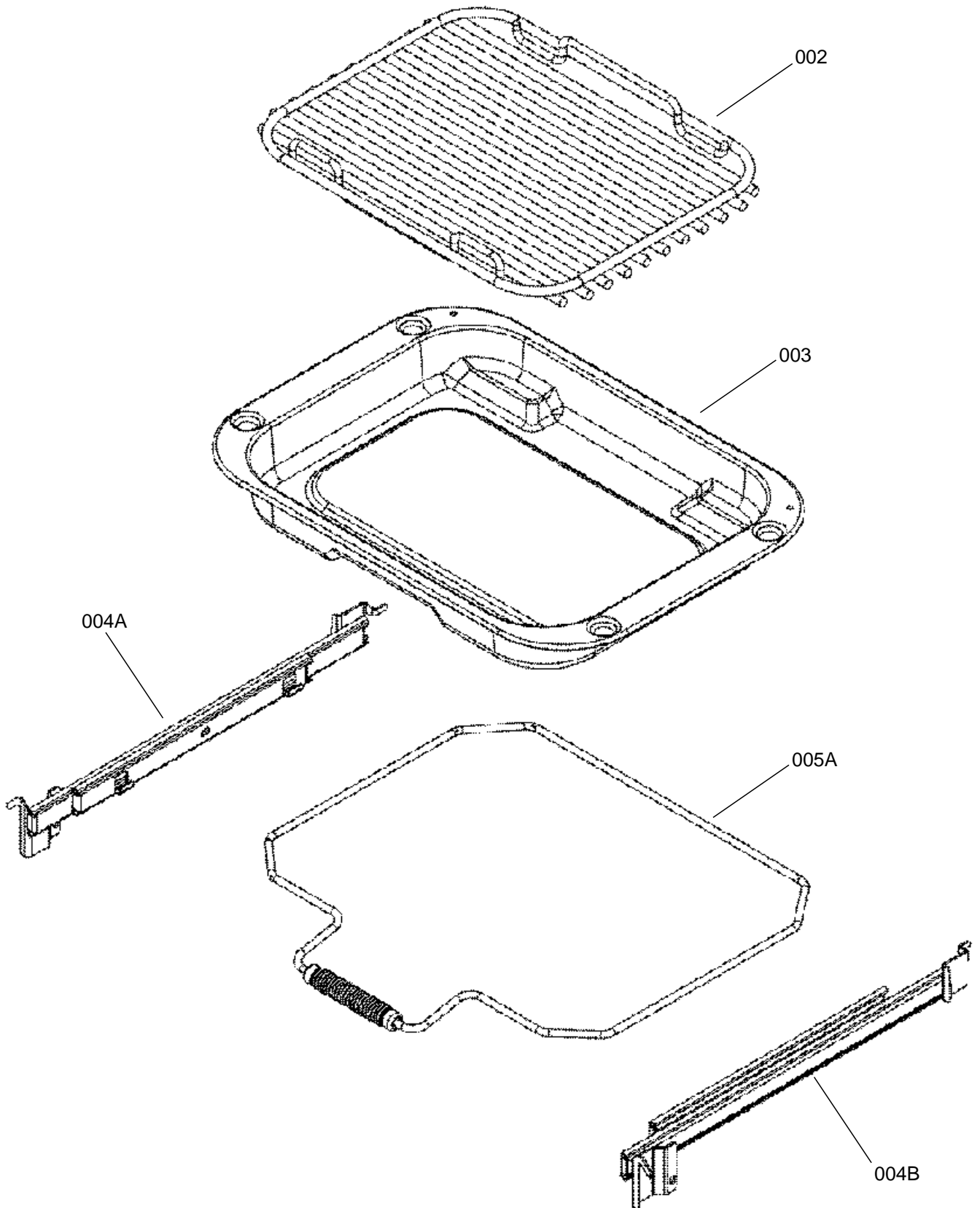
ISSUE: 02

FROM SERIAL NUMBER:11000:

7914,7915,7916, 7917,  
7918,7919,7920,7921,7922,7923,  
7924,7925 ,8240, 8241, 8059, 8061



## GRILL PAN

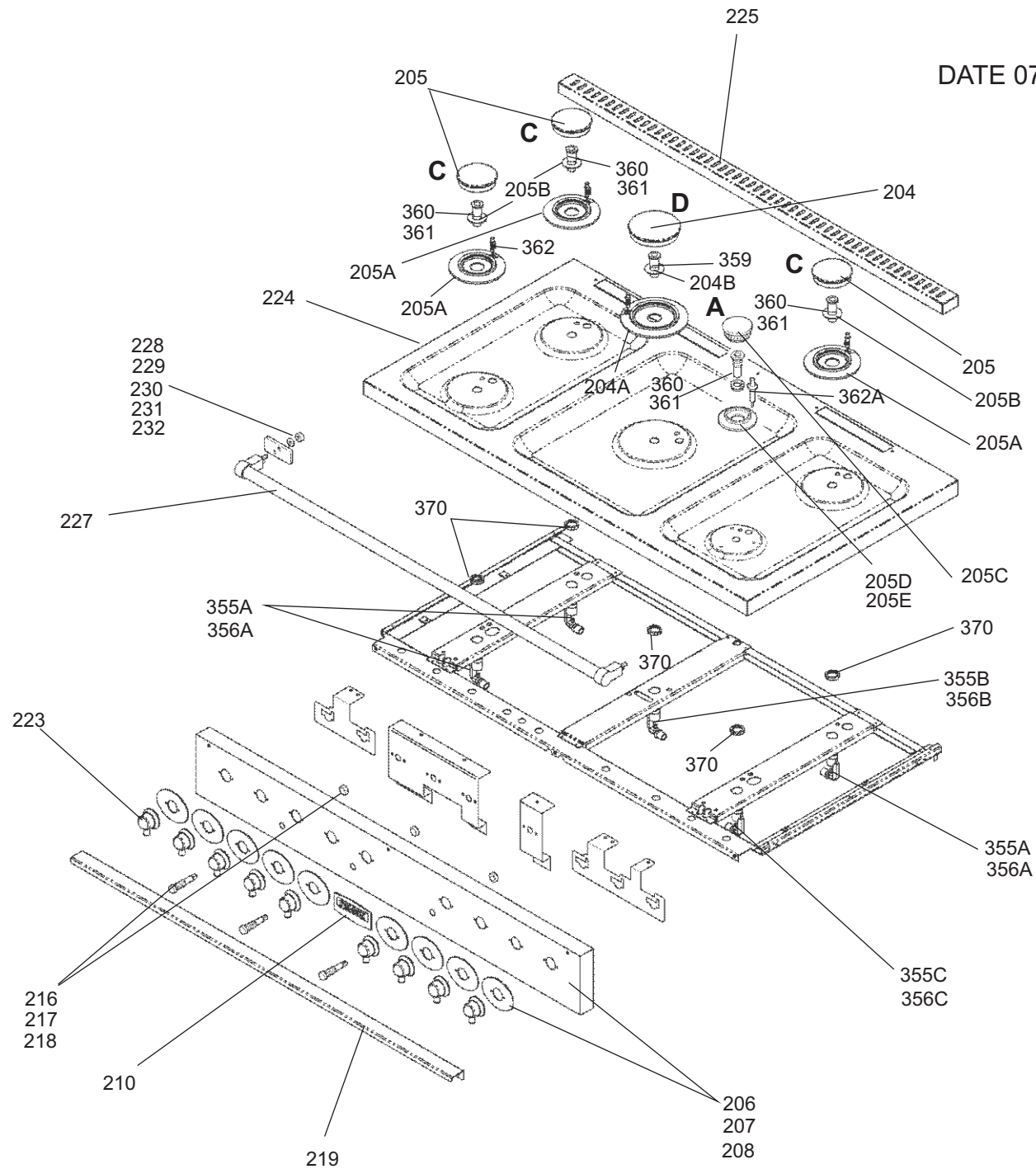


**GRILL PAN**

ALL MODELS

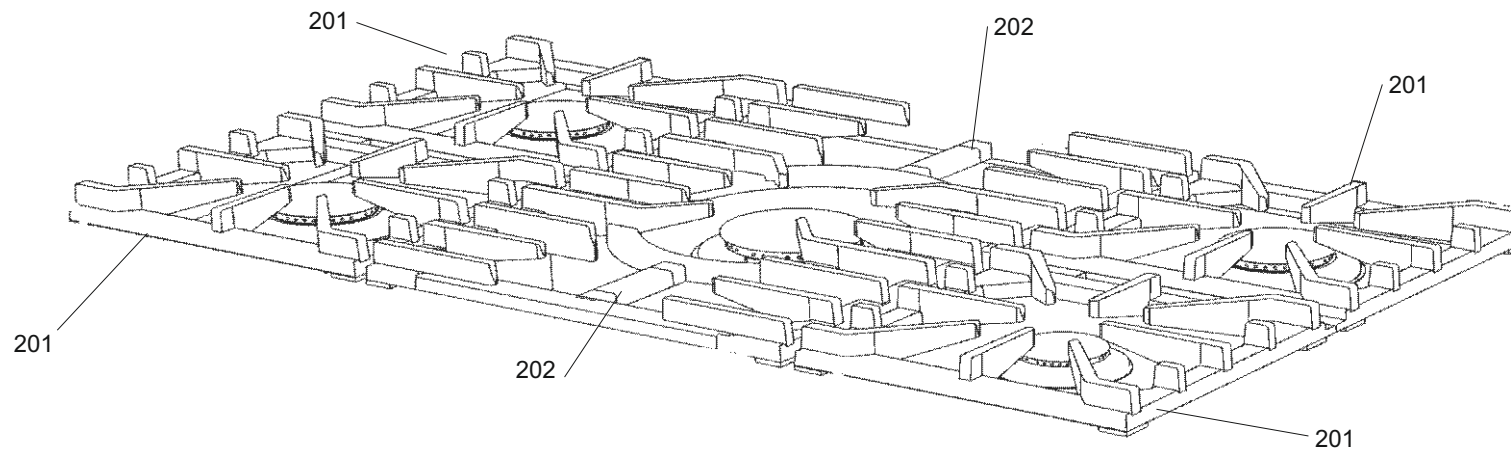
DSL189 P02

DATE 07.06.13 ISSUE STATUS 04



PAN SUPPORTS BURNERS & HOTPLATE ASSEMBLY





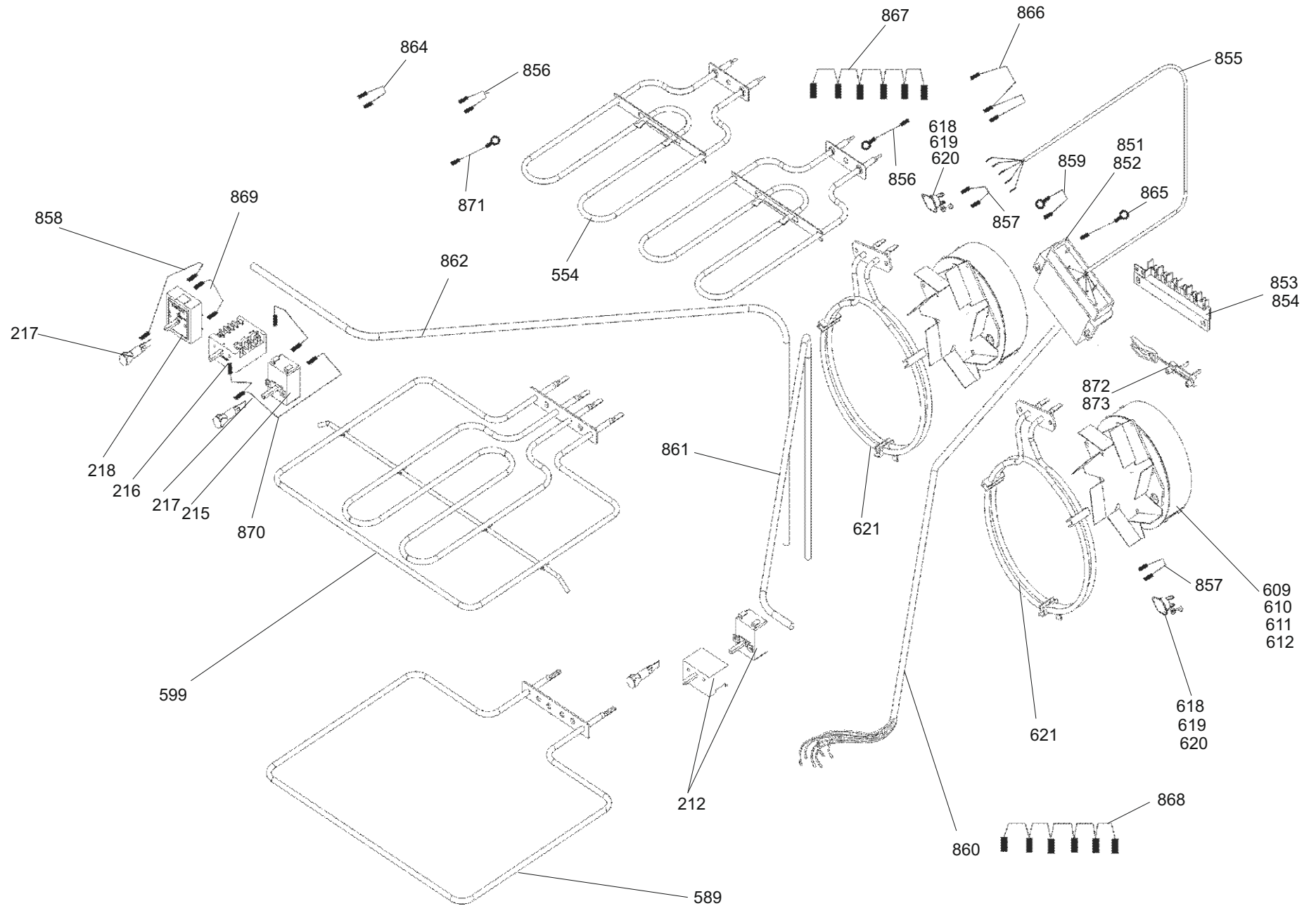
**PAN SUPPORTS BURNERS**

ALL MODELS  
UP TO SERIAL NUMBER 157999

DATE 15.03.11

ISSUE STATUS 02

DSL189 P05



**OVEN PARTS**

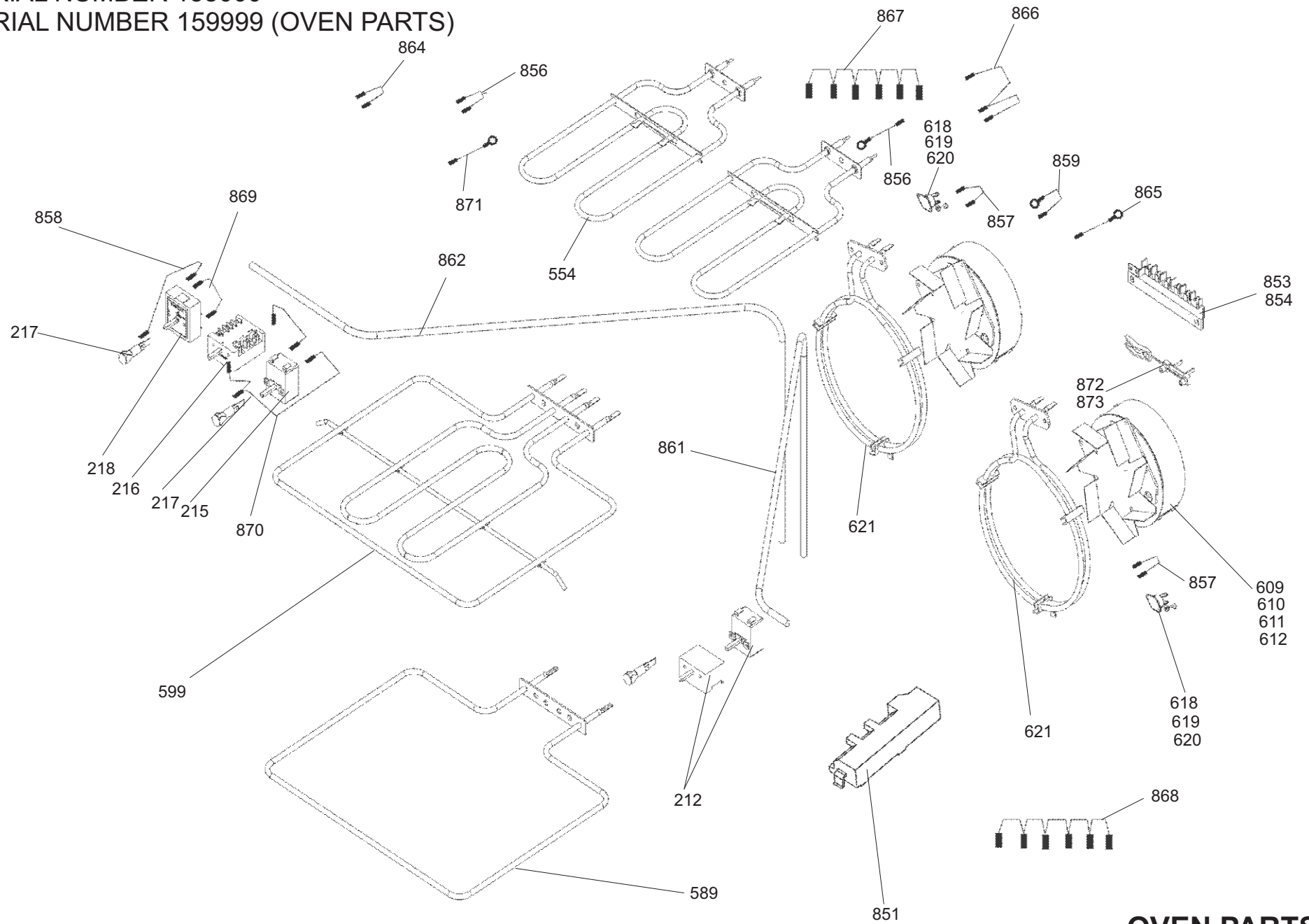
ALL MODELS

DATE 07.06.13

ISSUE STATUS 02

DSL0189 P05A

FROM SERIAL NUMBER 158000  
UP TO SERIAL NUMBER 159999 (OVEN PARTS)



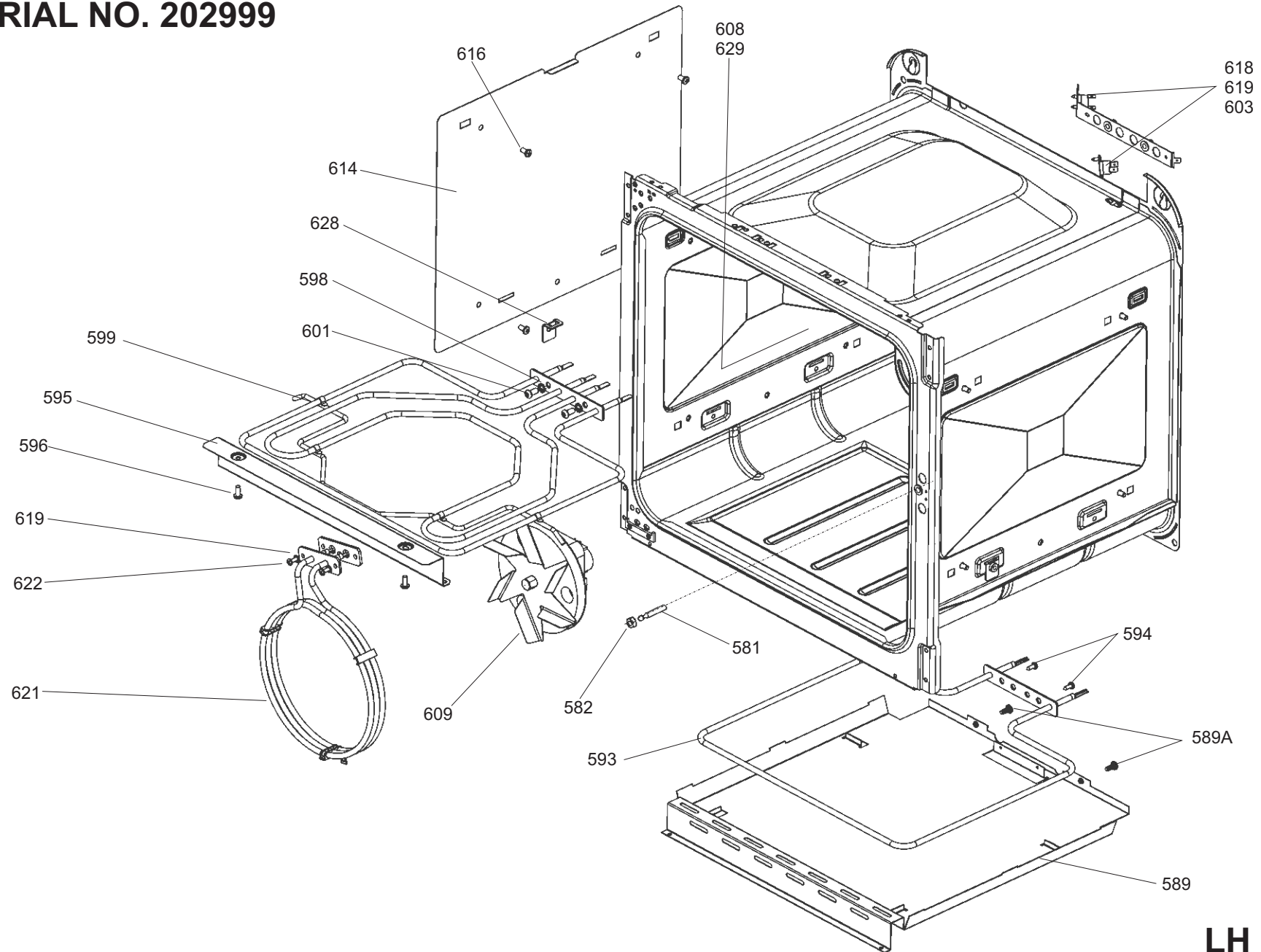
**OVEN PARTS**

**FALCON 1092 DELUXE DF  
FROM SERIAL NO. 160000  
TO SERIAL NO. 202999**

DATE: 20.11.2018

ISSUE: 02

**DSL0189 P05B**



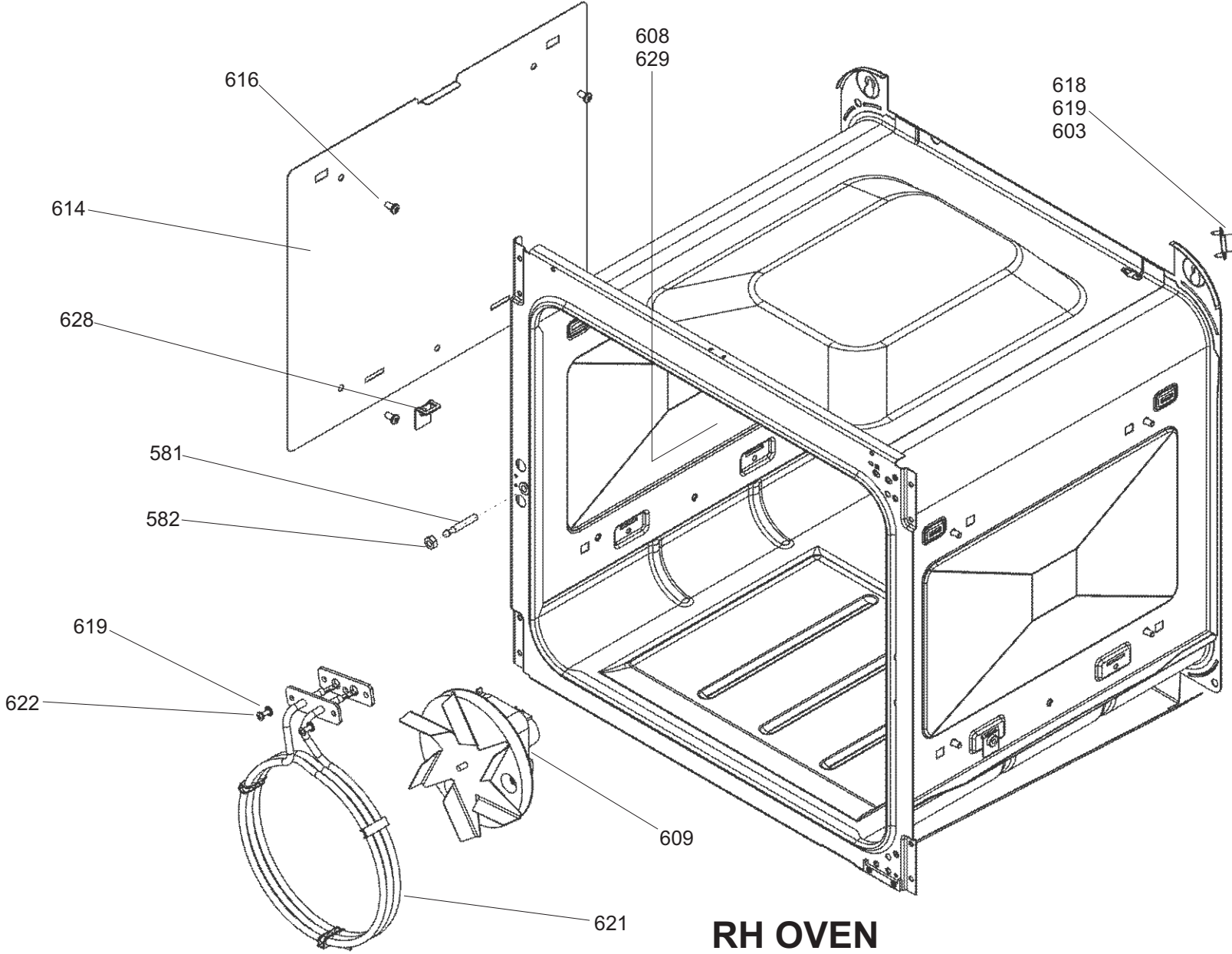
**LH OVEN**

**FALCON 1092 DELUXE DF  
FROM SERIAL NO. 160000  
TO SERIAL NO. 202999**

DATE: 20.11.2018

ISSUE: 02

**DSL0189 P05C**



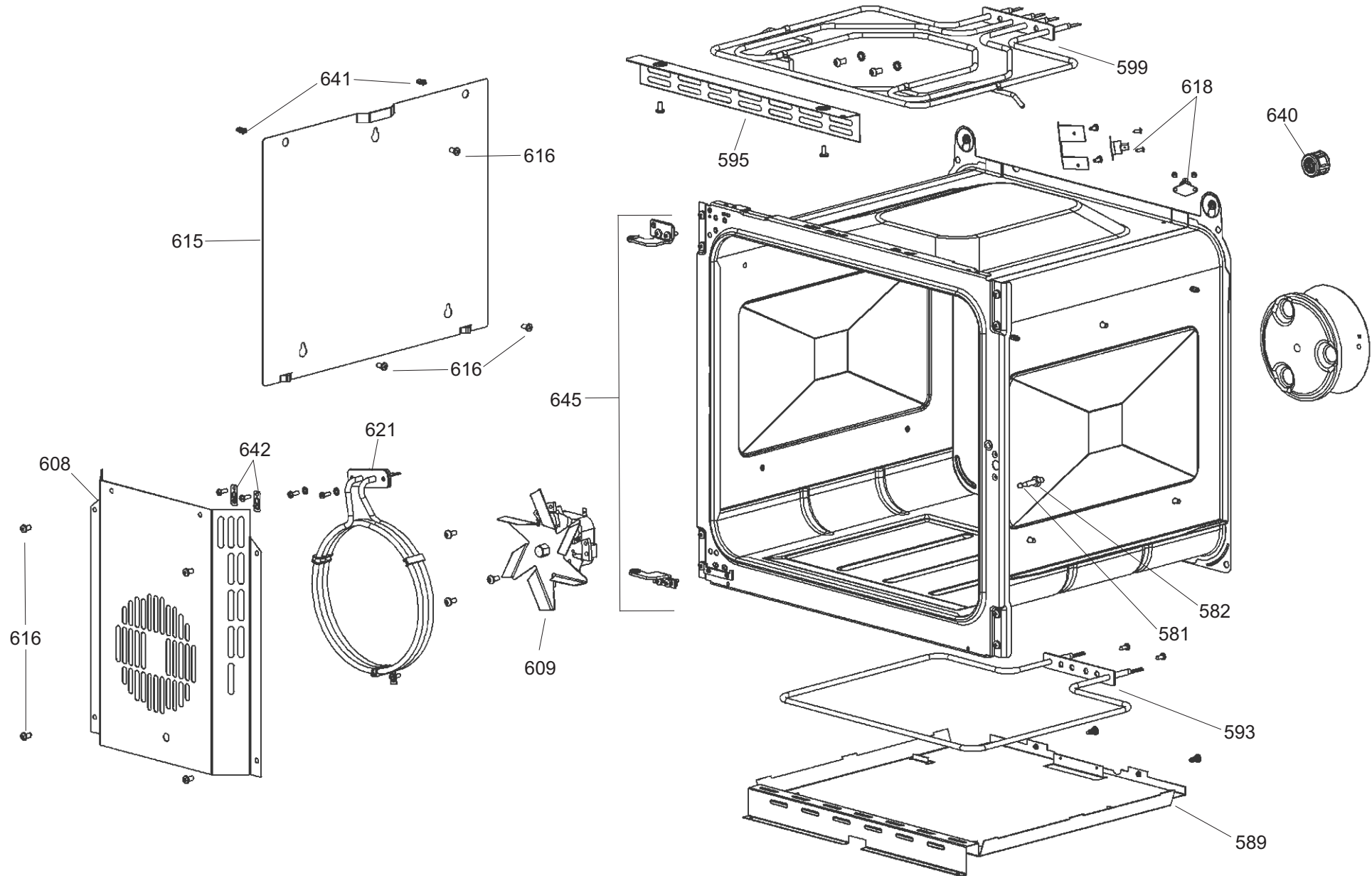
**RH OVEN**

**FALCON 1092 DELUXE DF  
FROM SERIAL NO. 203000**

DATE: 20.11.2018

ISSUE: 01

**DSL0189 P05D**



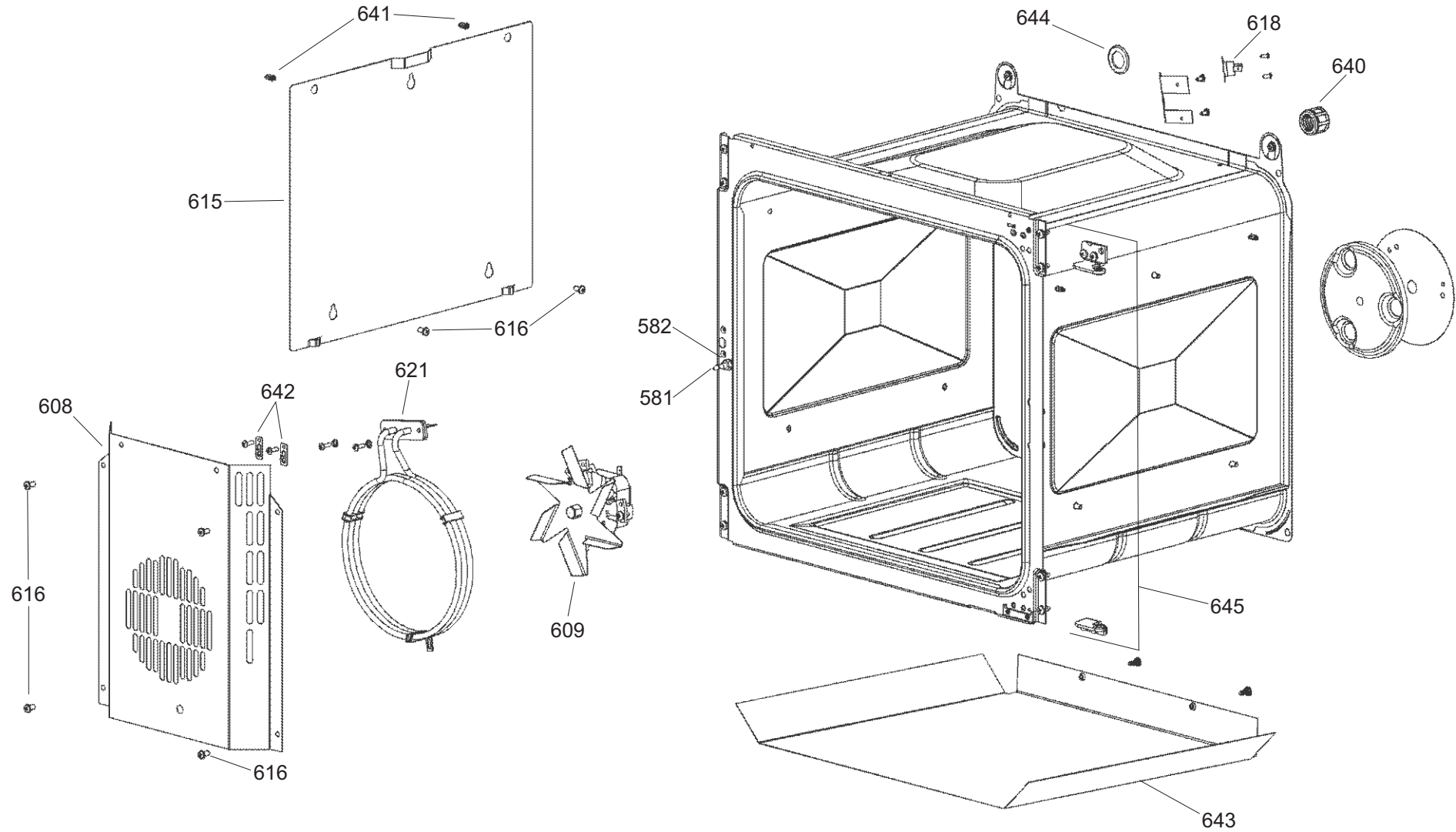
**LH OVEN**

**FALCON 1092 DELUXE DF  
FROM SERIAL NO. 203000**

DATE: 20.11.2018

ISSUE: 01

**DSL0189 P05E**

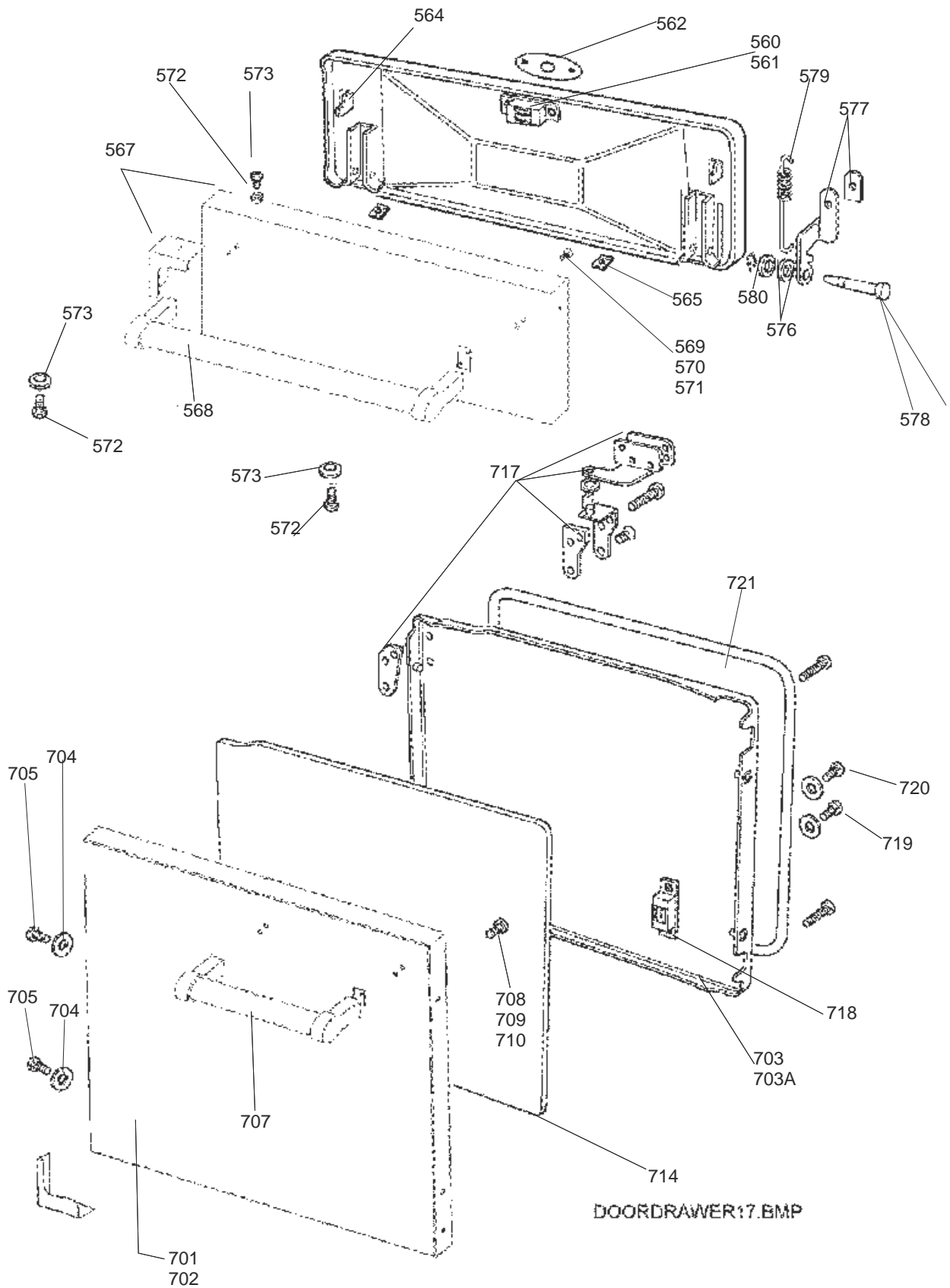


**RH OVEN**

ALL MODELS

DATE 25.04.03

DSL0189 P06  
ISSUE STATUS 01



# OVEN DOOR AND GRILL DOOR

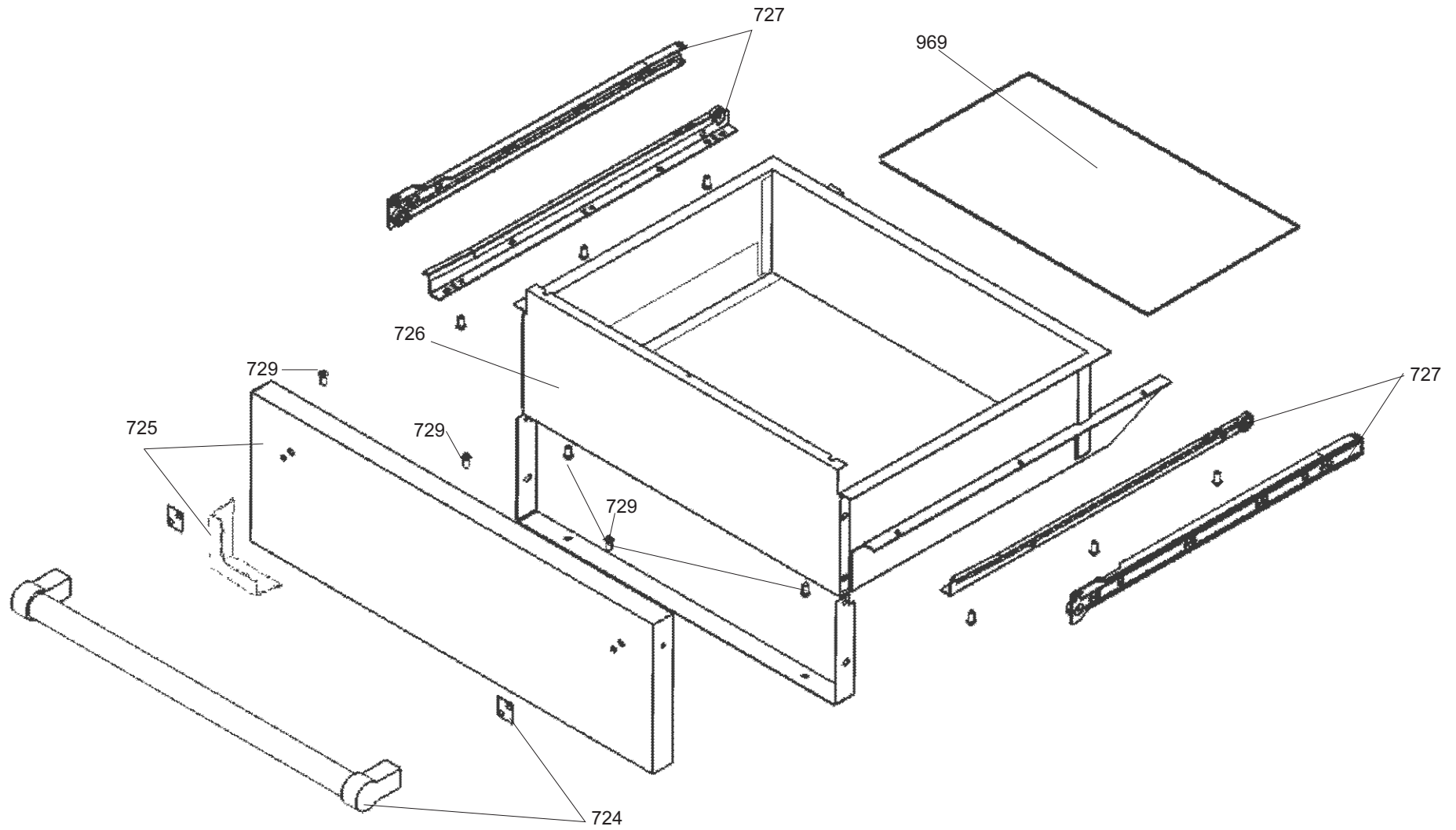


ALL MODELS

UP TO SERIAL NUMBER 3999

DATE 07.06.13  
ISSUE STATUS 03

DSL189 P07



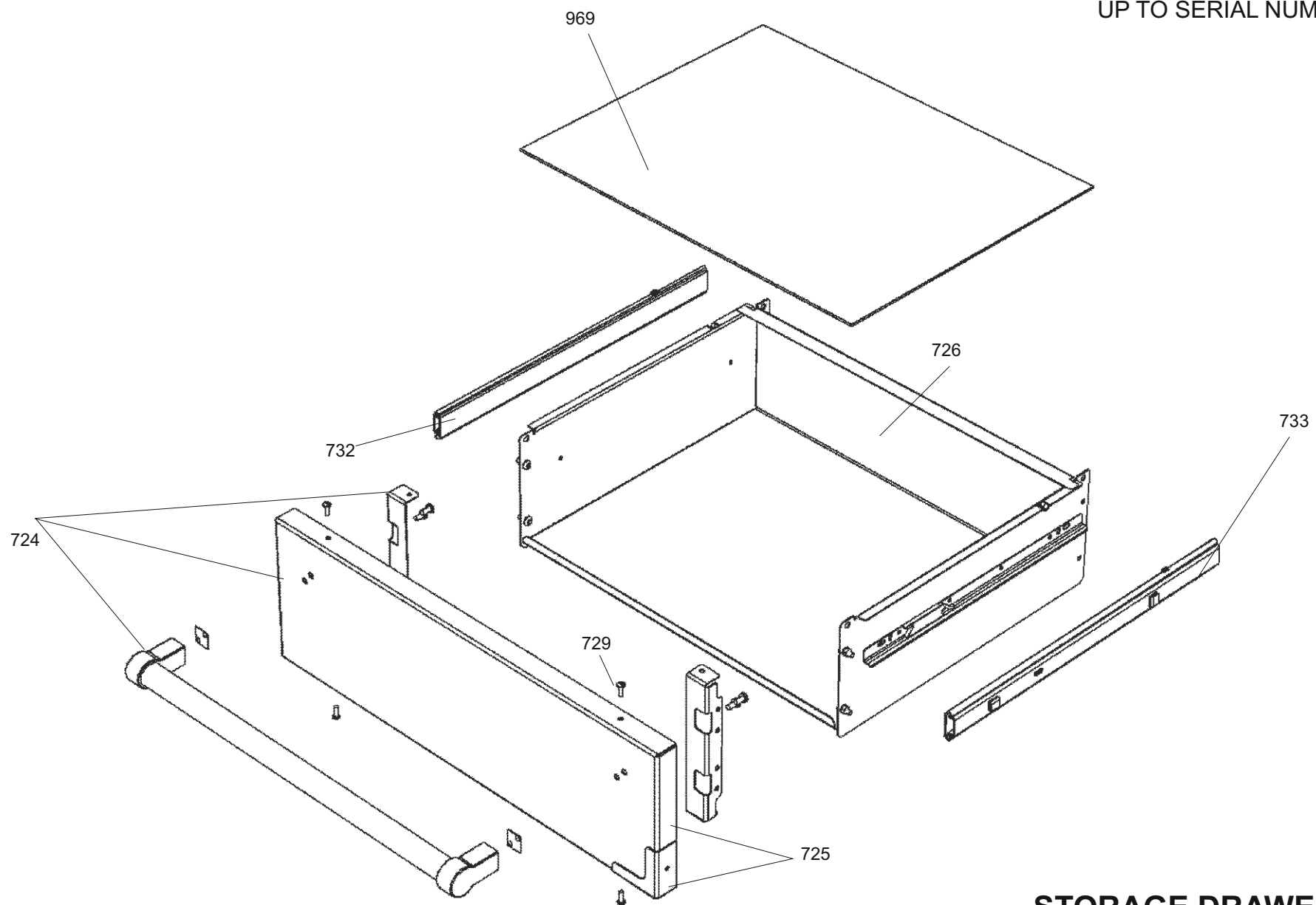
**STORAGE DRAWER**

ALL MODELS

DSL189 P07A

DATE 01.06.10 ISSUE STATUS 02

UP TO SERIAL NUMBER 151999



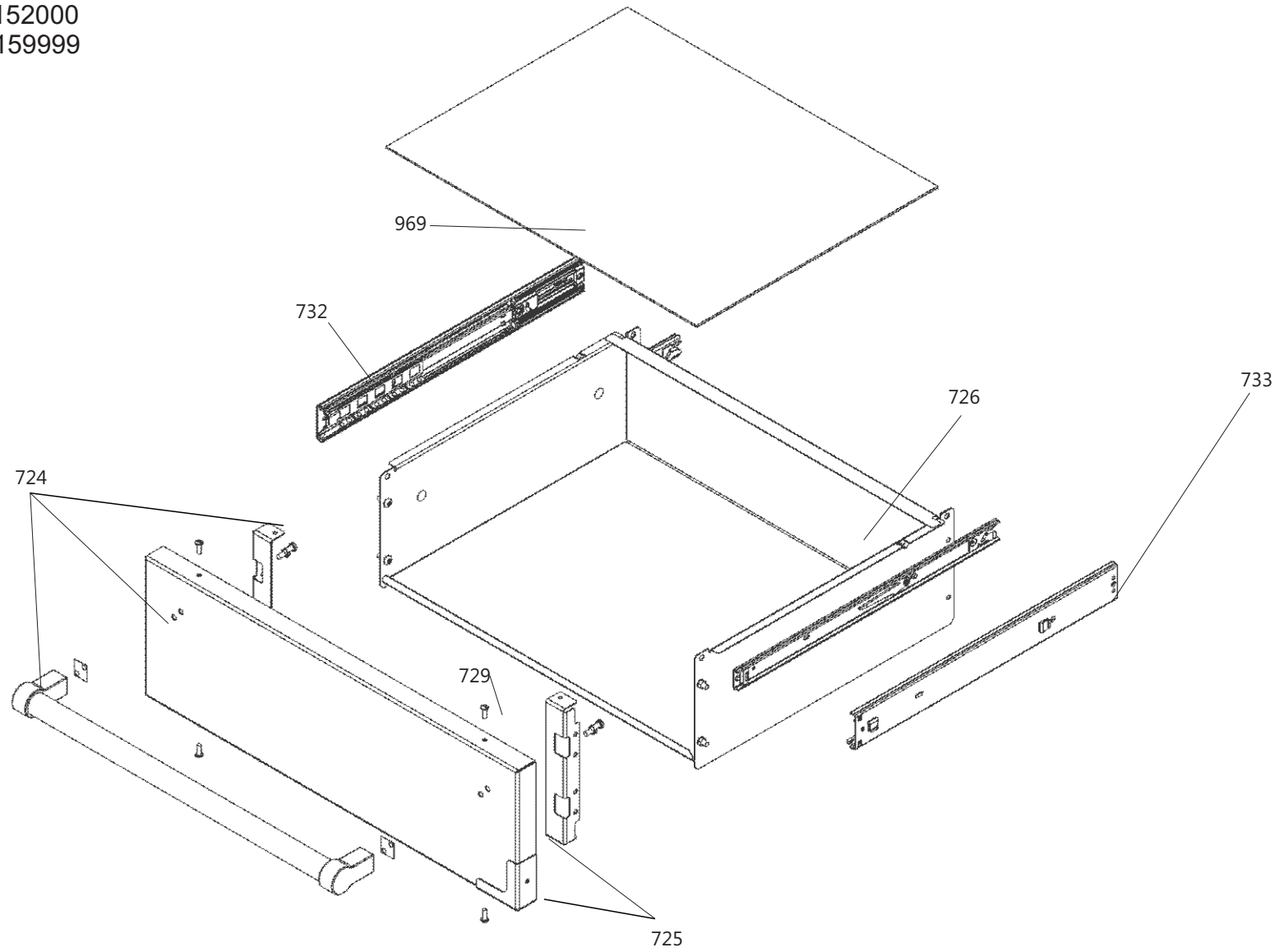
**STORAGE DRAWER**

ALL MODELS

DATE 07.06.13

DSL0189 P07B  
ISSUE STATUS 02

FROM SERIAL NUMBER 152000  
UP TO SERIAL NUMBER 159999



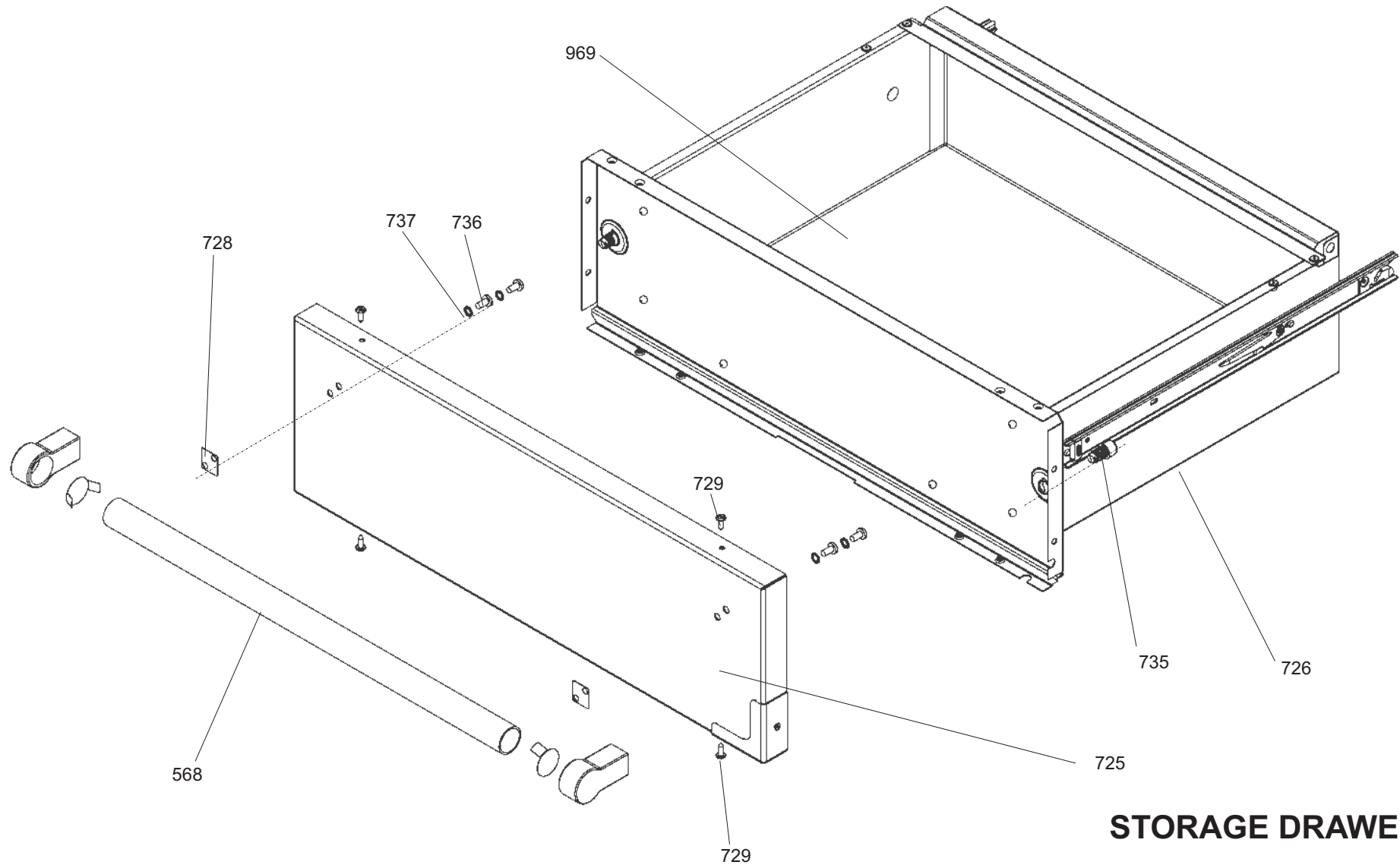
**STORAGE DRAWER**

FALCON 1092 DELUXE DF  
FROM SERIAL NUMBER 160000

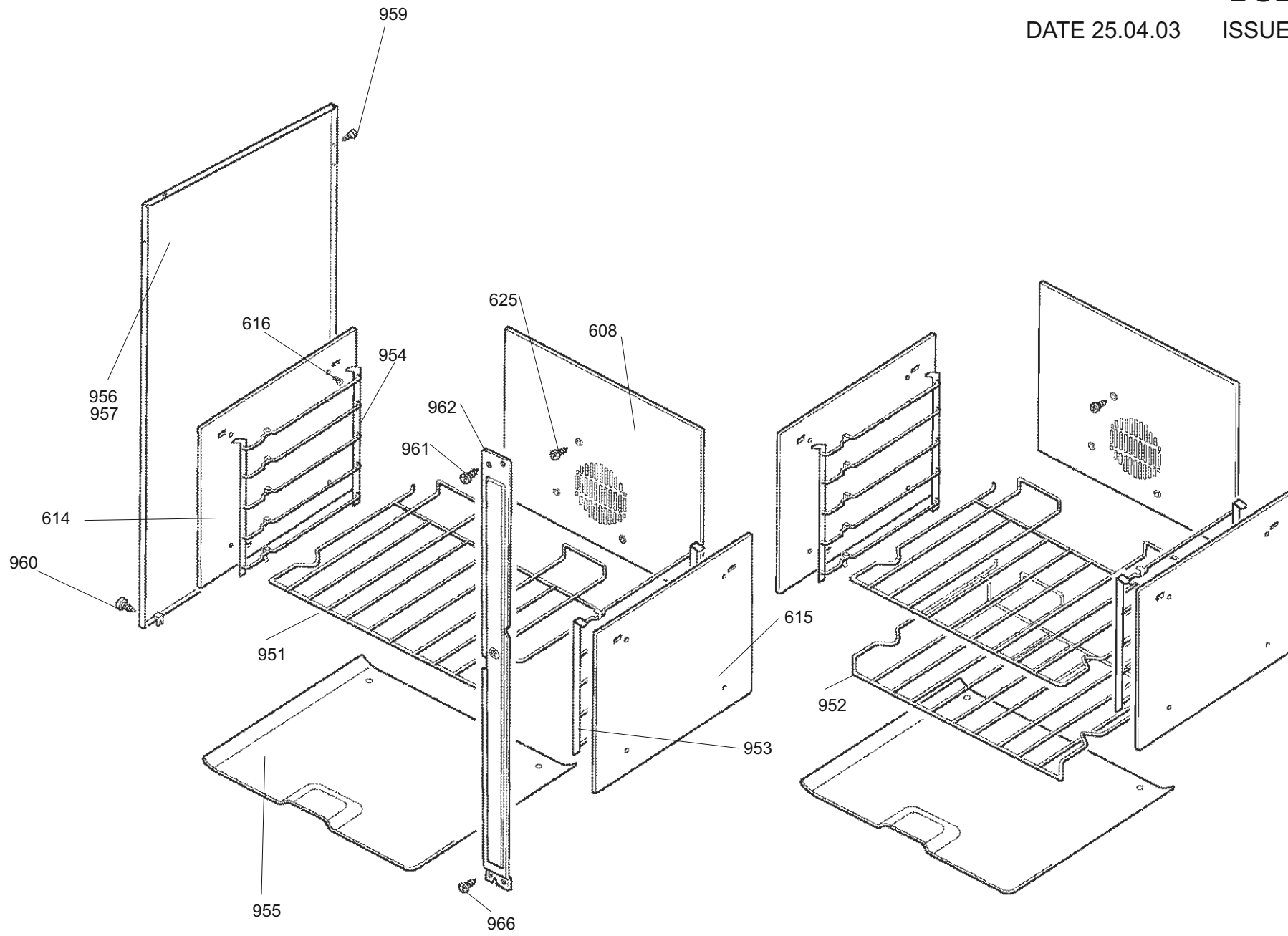
DATE 07.06.13

ISSUE STATUS 01

DSL0189 P07C



**STORAGE DRAWER**

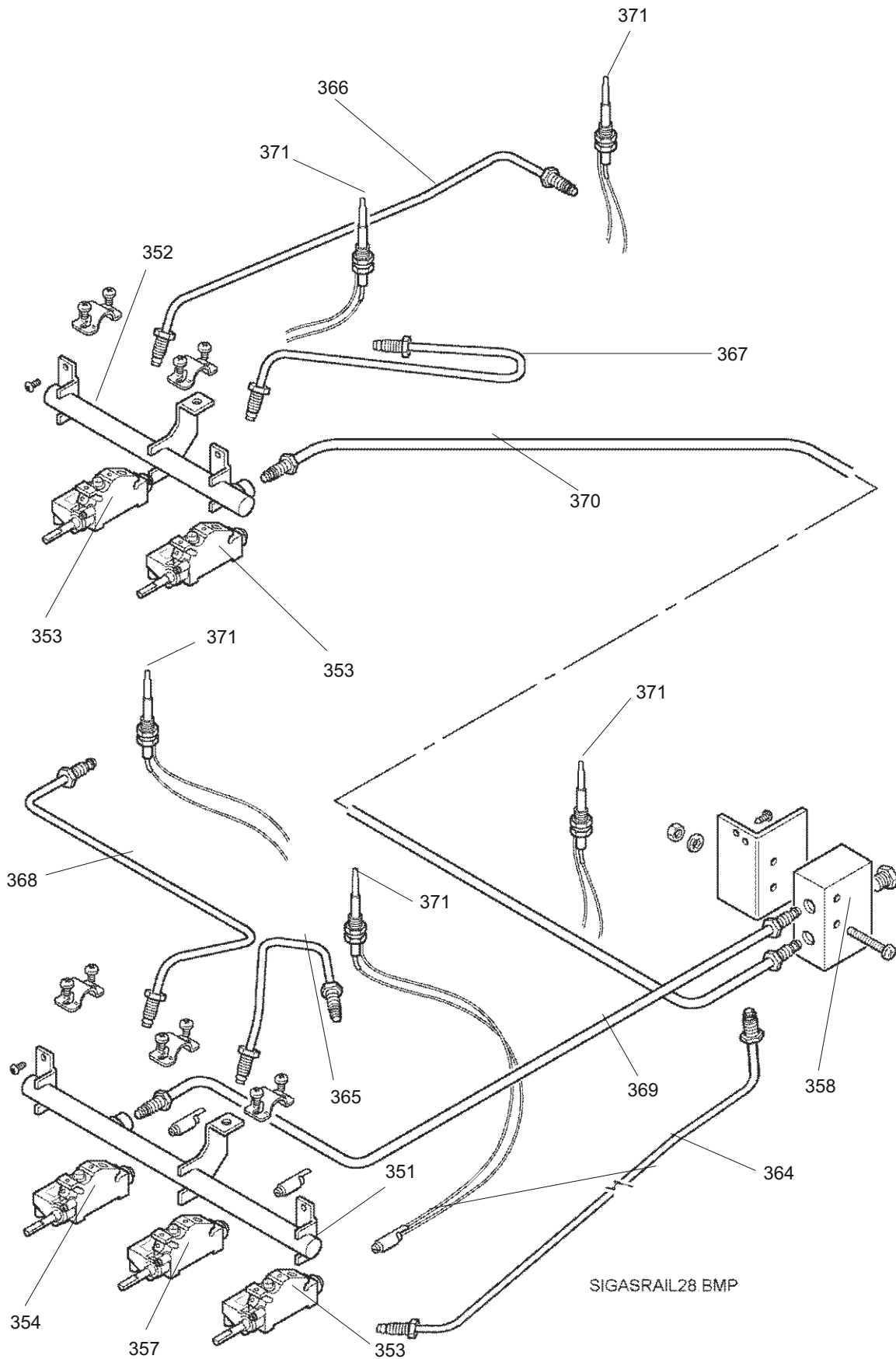


ALL MODELS

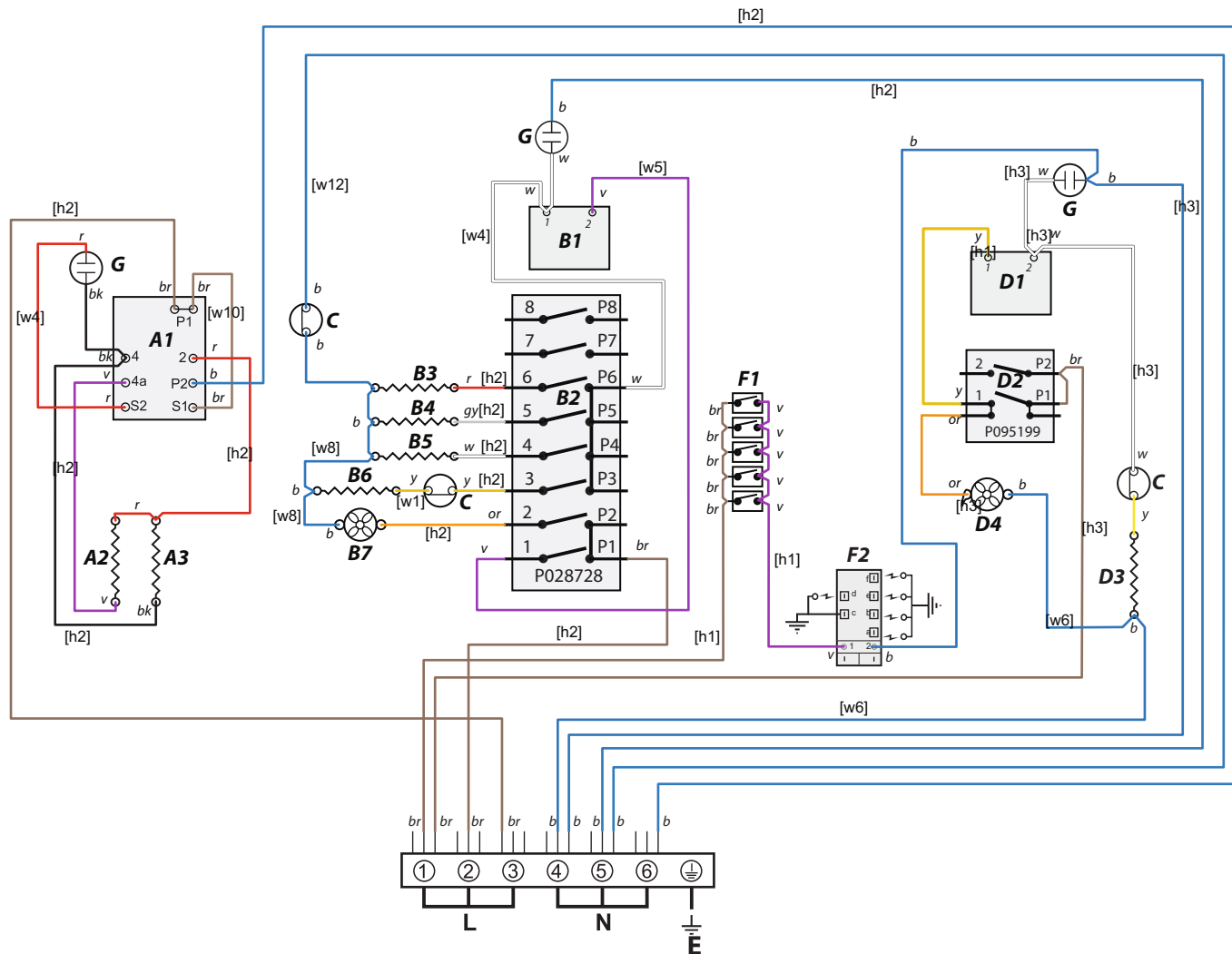
DATE 25.04.03

DSL189 P09

ISSUE STATUS 01



# GAS RAIL - TAPS - INJECTORS AND PIPES



Code	Description
A1	Grill energy regulator
A2	Left-hand grill element
A3	Right-hand grill element
B1	Left-hand MF oven thermostat
B2	Left-hand MF oven controller
B3	Left-hand MF oven base element
B4	Left-hand MF oven top element (outer pair)
B5	Left-hand MF oven browning element (inner pair)
B6	Left-hand MF oven fan element
B7	Left-hand MF oven fan
C	Thermal cut-out

Code	Description
D1	Right-hand oven thermostat
D2	Right-hand oven thermostat front switch
D3	Right-hand oven fan element
D4	Right-hand oven fan
F1	Hotplate burner ignition switches
F2	Ignition spark generator
G	Neon

Code	Colour
b	Blue
br	Brown
bk	Black
or	Orange
r	Red
v	Violet
w	White
y	Yellow
g/y	Green/yellow
gr	Grey