

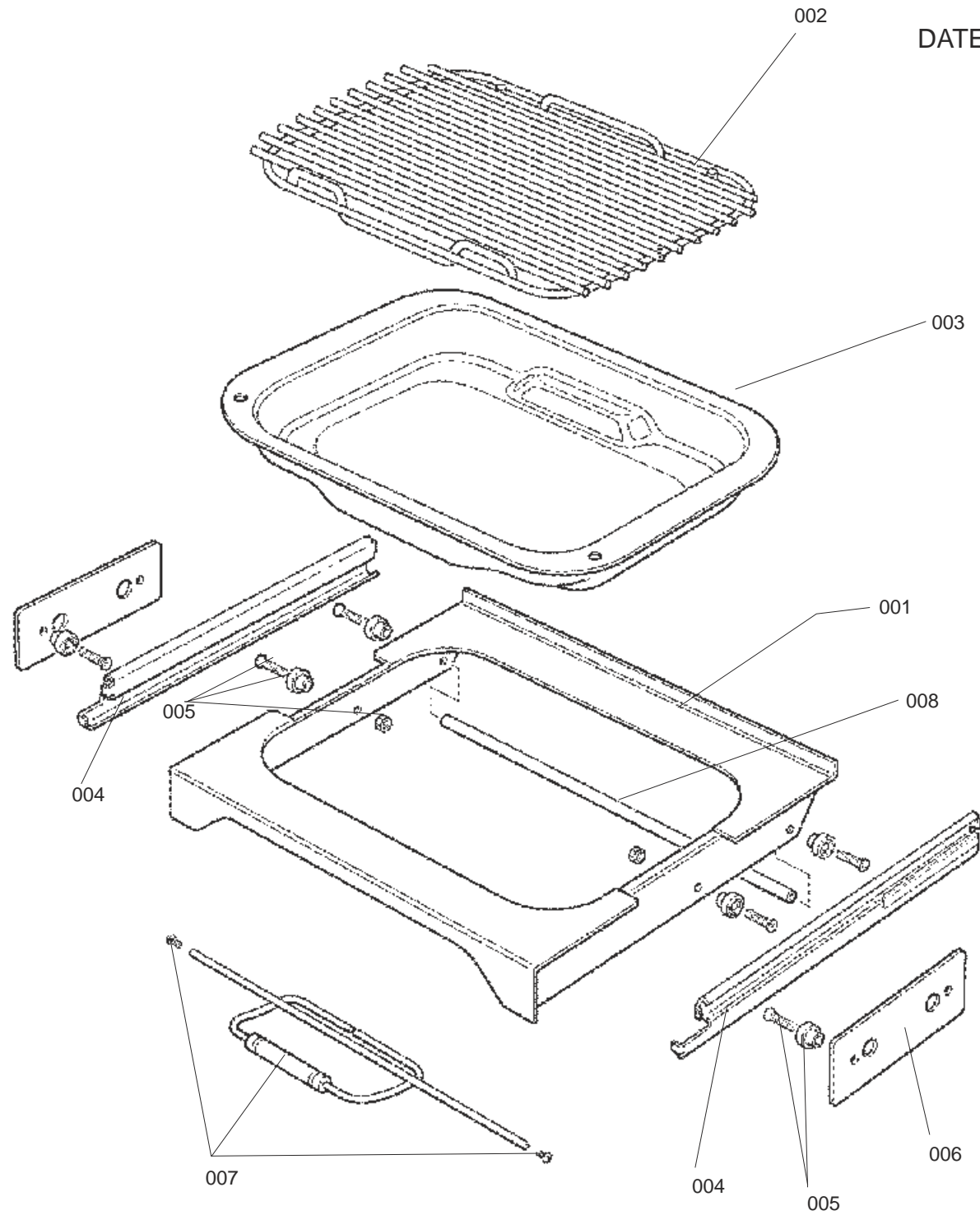
FALCON 1092 CT

DSL0313 P00
DATE 15.06.06 ISSUE STATUS 01



ALL MODELS
UPTO SER No7999

DSL0313 P01
DATE 28.03.07 ISSUE STATUS 02

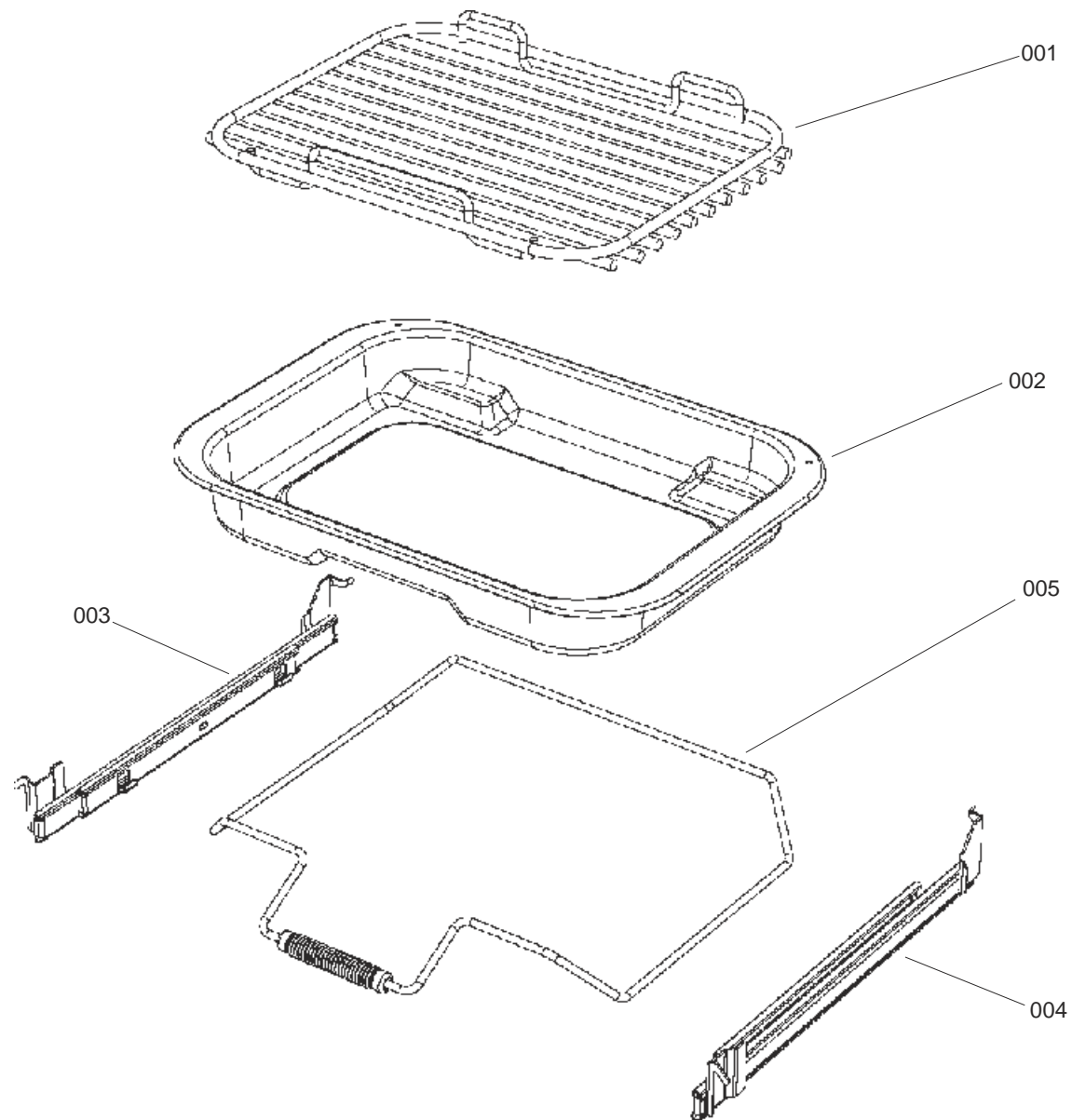


GRILL PAN

FROM SER No8000: 8104, 8105, 8107, 8108, 8109, 8110
UPTO SER No10999

DSL313 P01A

DATE 31.03.08 ISSUE STATUS 02

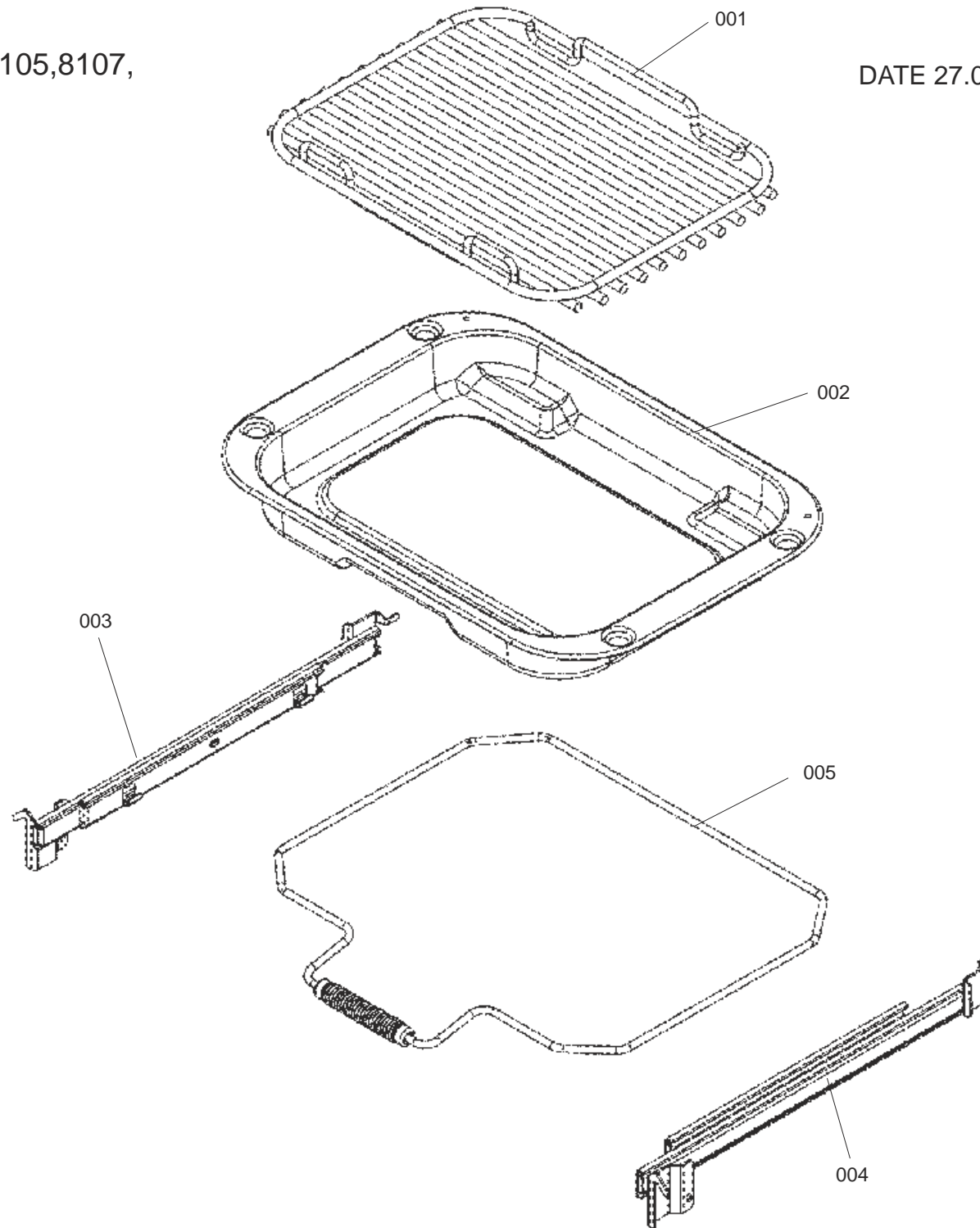


GRILL PAN

FROM SER No8000, 8104,8105,8107,
8108,8109,8110
UPTO SER No10999

DATE 27.03.08

DSL 0313 P01B
ISSUE STATUS 01

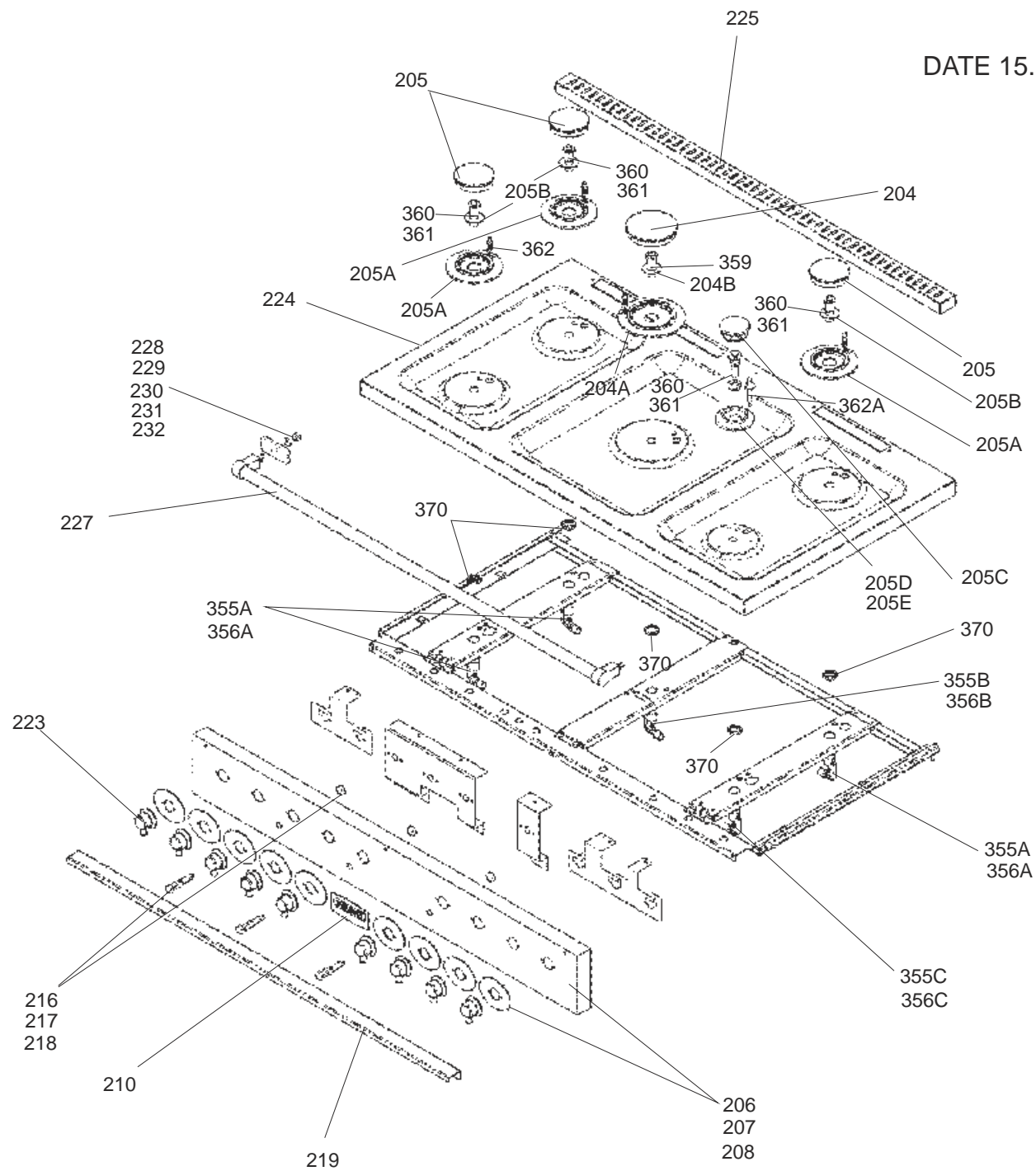


GRILL PAN

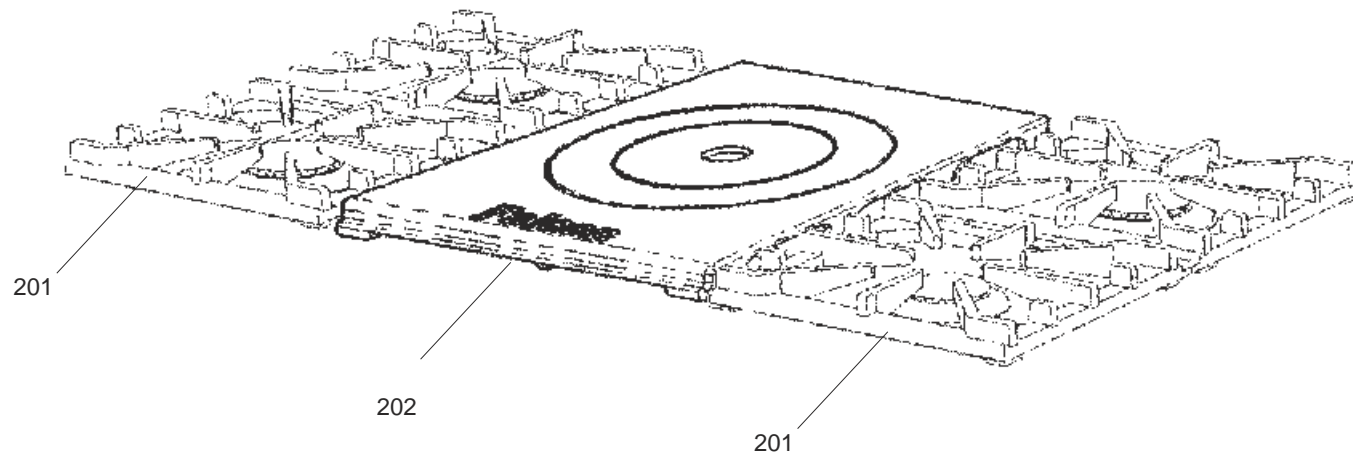
ALL MODELS

DSL0313 P02

DATE 15.06.06 ISSUE STATUS 01



PAN SUPPORTS BURNERS & HOTPLATE ASSEMBLY



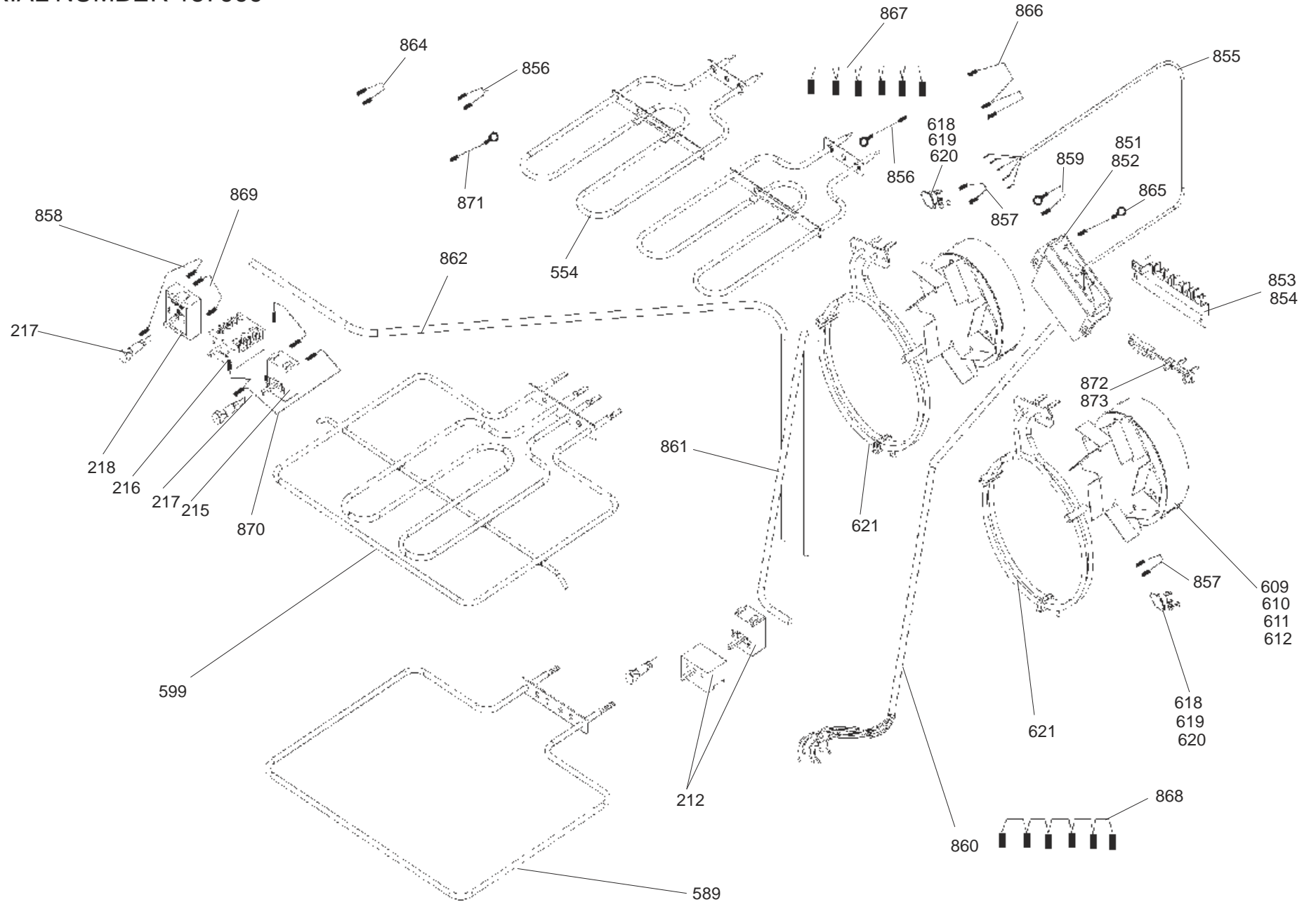
ALL MODELS

UP TO SERIAL NUMBER 157999

DATE 16.03.11

ISSUE STATUS 02

DSL0313 P05



OVEN PARTS

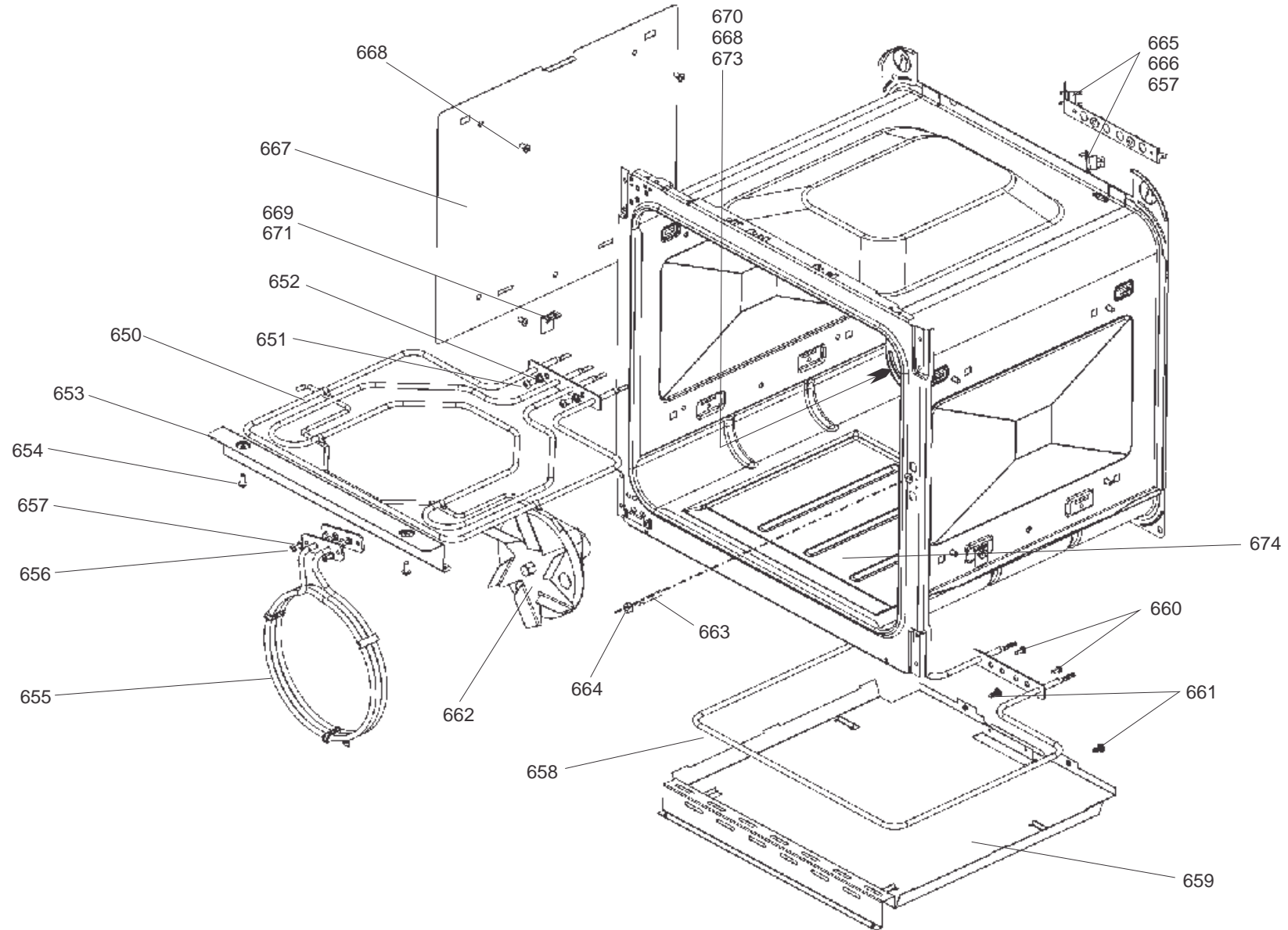
FALCON 1092 CT DF

DSL0313 P05B

DATE 08.07.13

ISSUE STATUS 01

FROM SERIAL NUMBER 160000



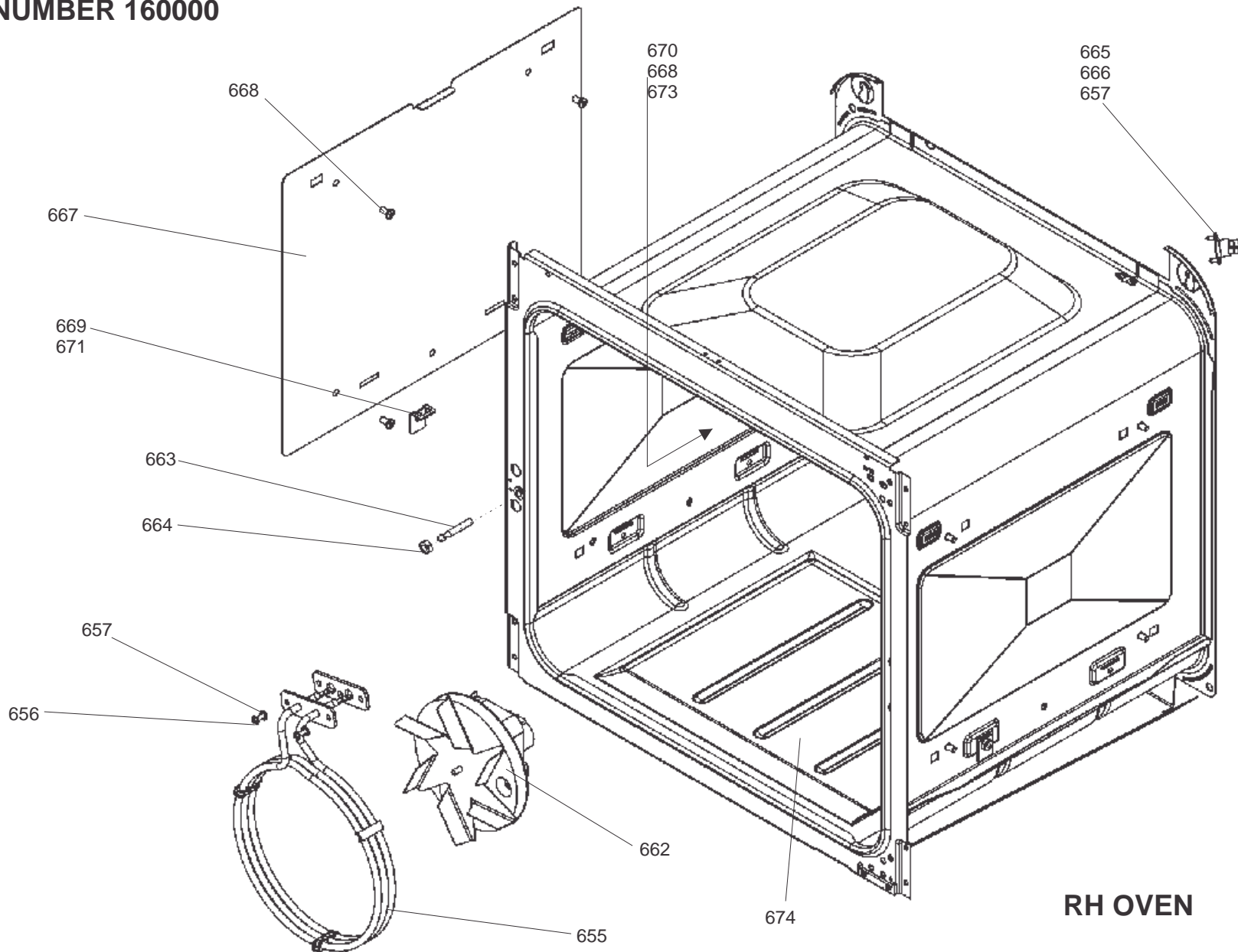
LH OVEN

FALCON 1092 CT DF

FROM SERIAL NUMBER 160000

DSL0313 P05C

DATE 08.07.13 ISSUE STATUS 01

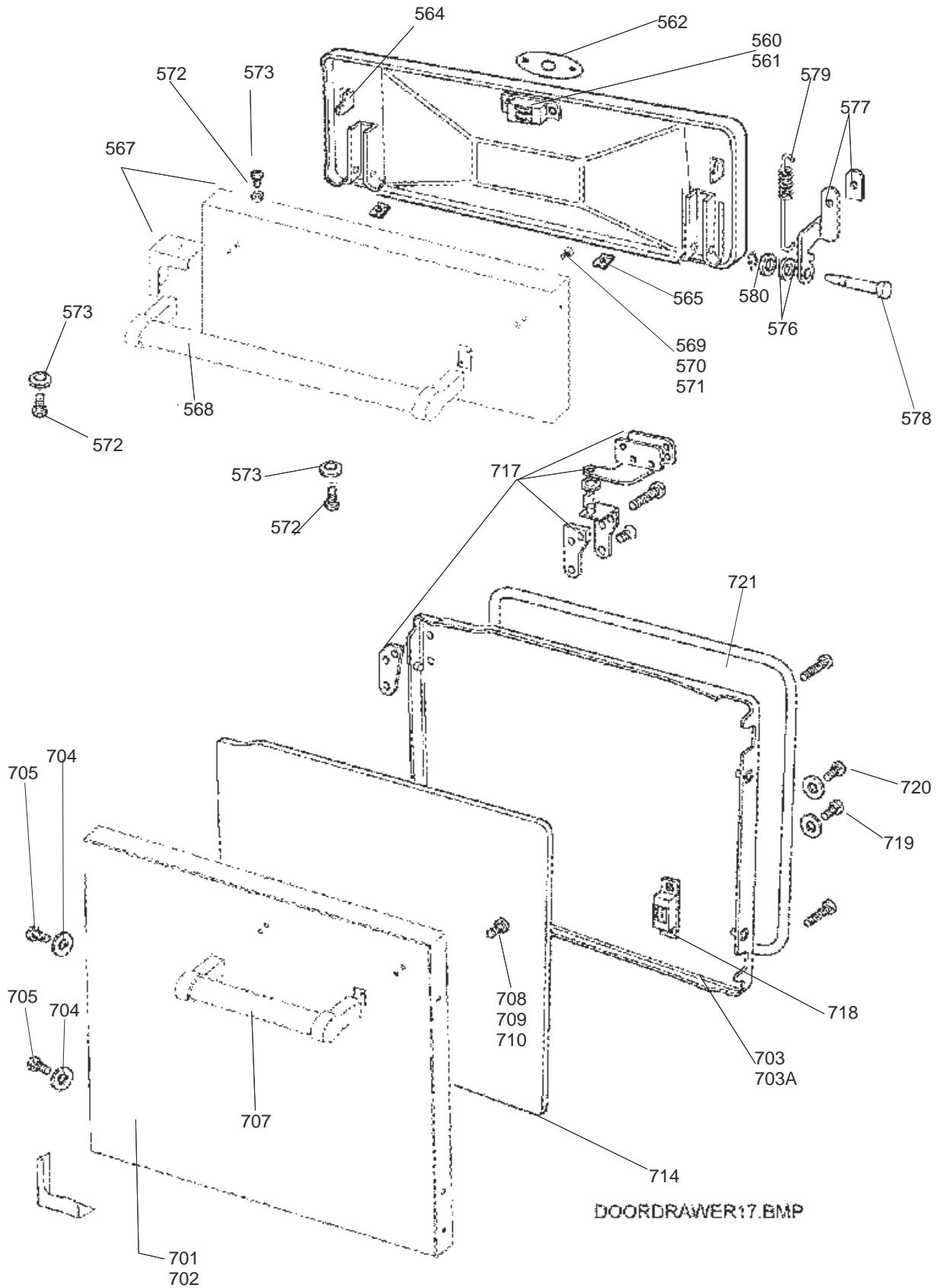


RH OVEN

ALL MODELS

DATE 15.06.06

DSL0313 P06
ISSUE STATUS 01



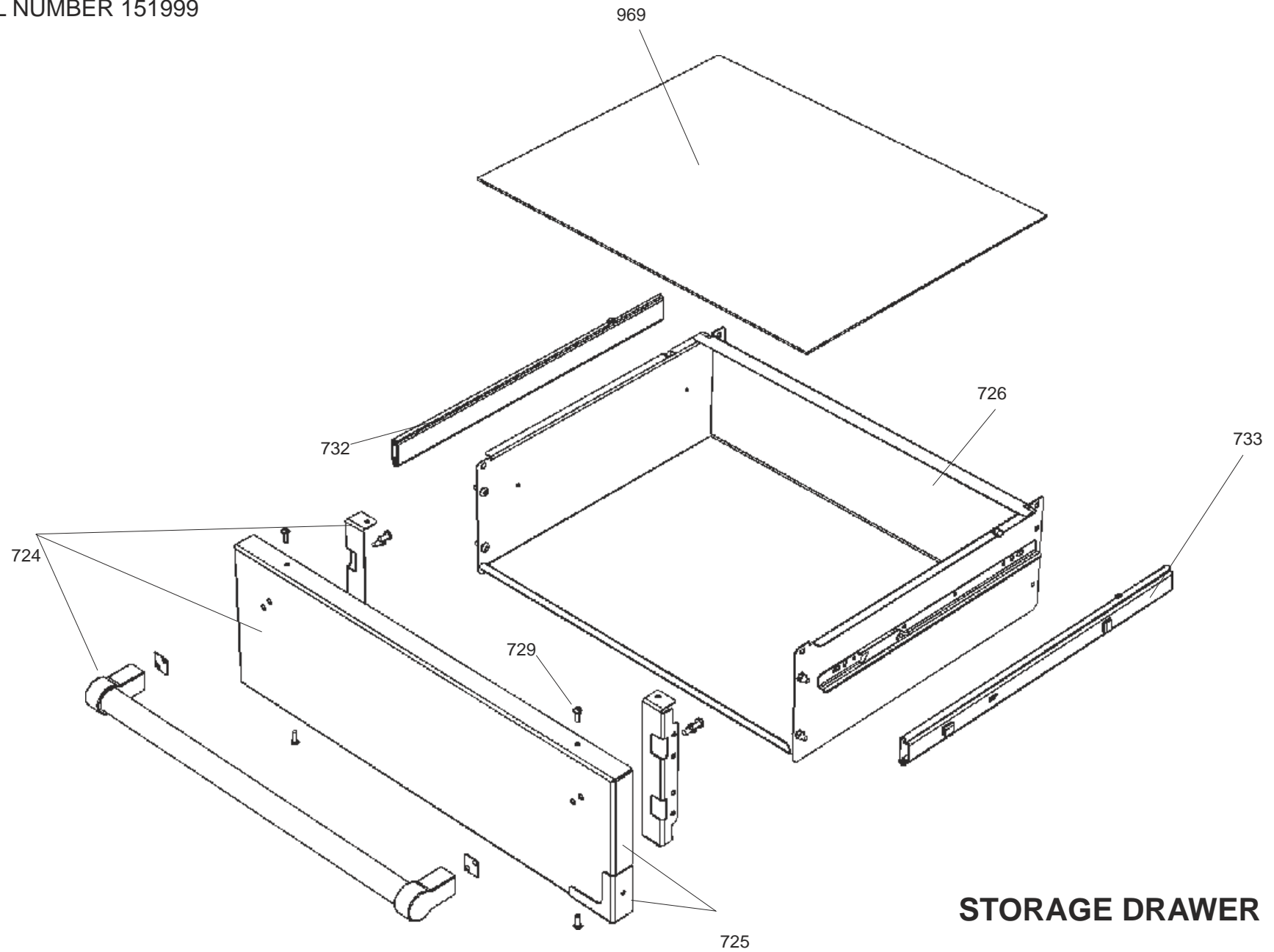
LH OVEN DOOR AND GRILL DOOR

ALL MODELS

DSL0313 P07

DATE 28.06.10 ISSUE STATUS 02

UP TO SERIAL NUMBER 151999



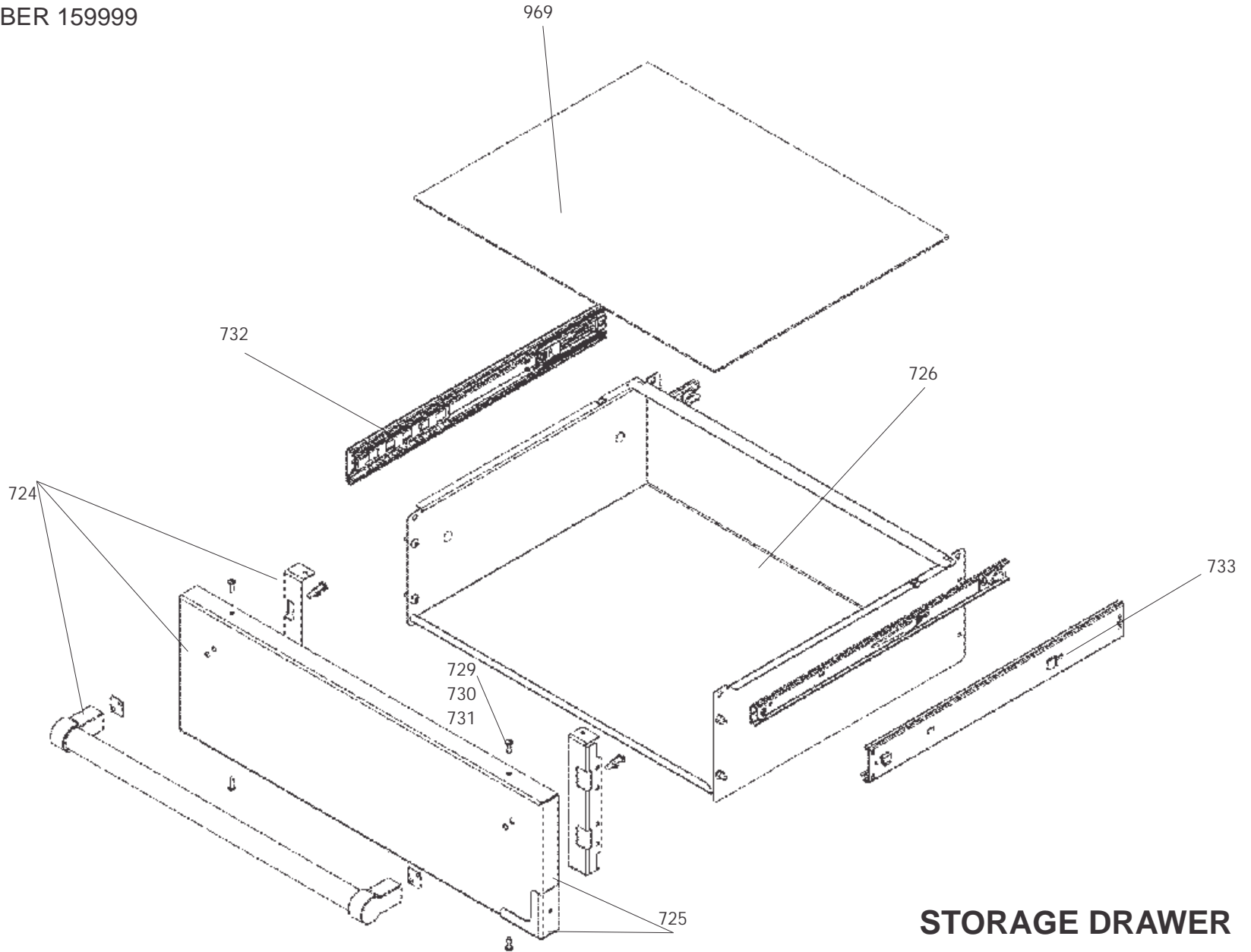
STORAGE DRAWER

ALL MODELS

FROM SERIAL NUMBER 152000
UP TO SERIAL NUMBER 159999

DATE 08.07.13

DSL0313 P07A
ISSUE STATUS 02



STORAGE DRAWER

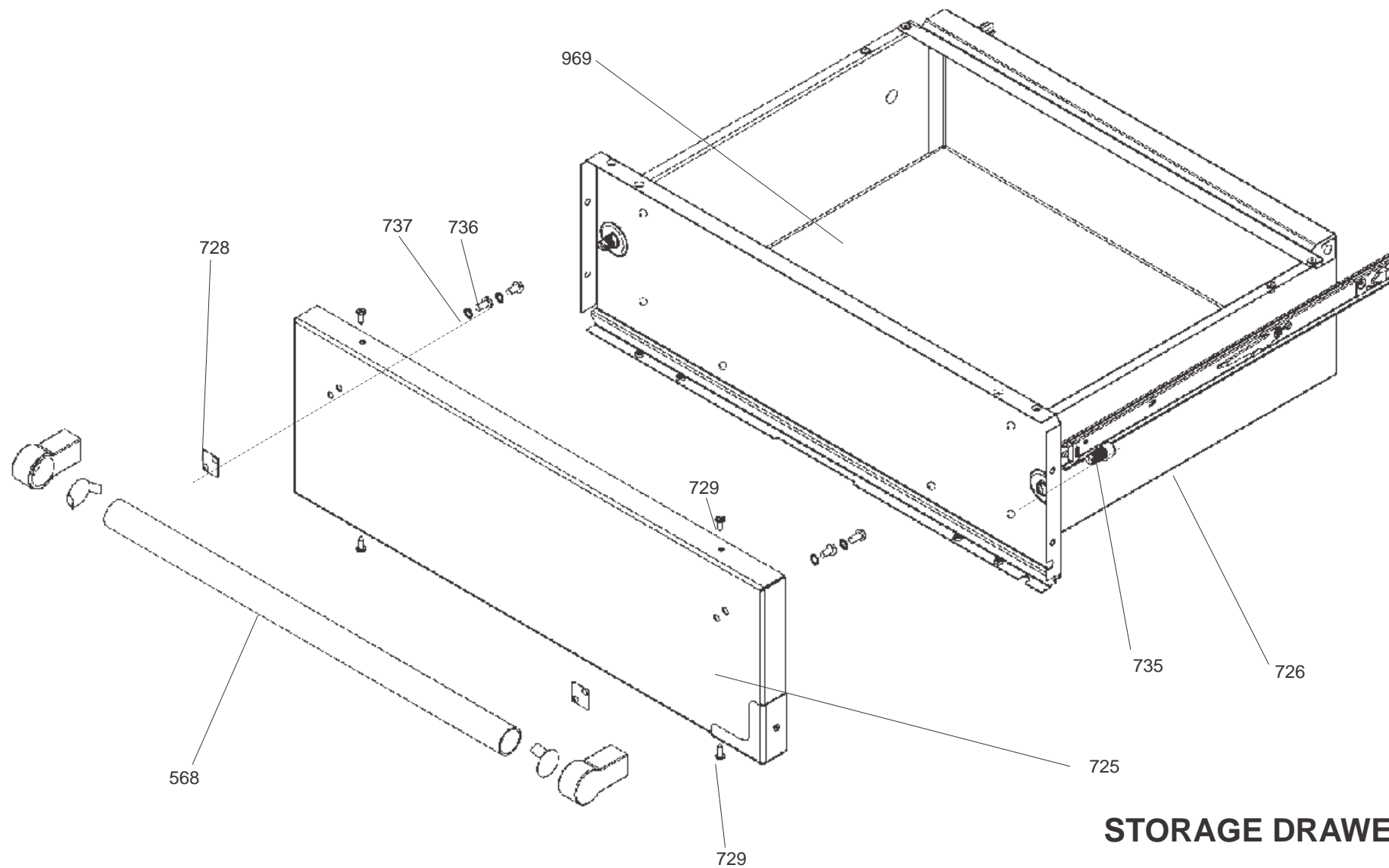
FALCON 1092 CT DF

DATE 08.07.13

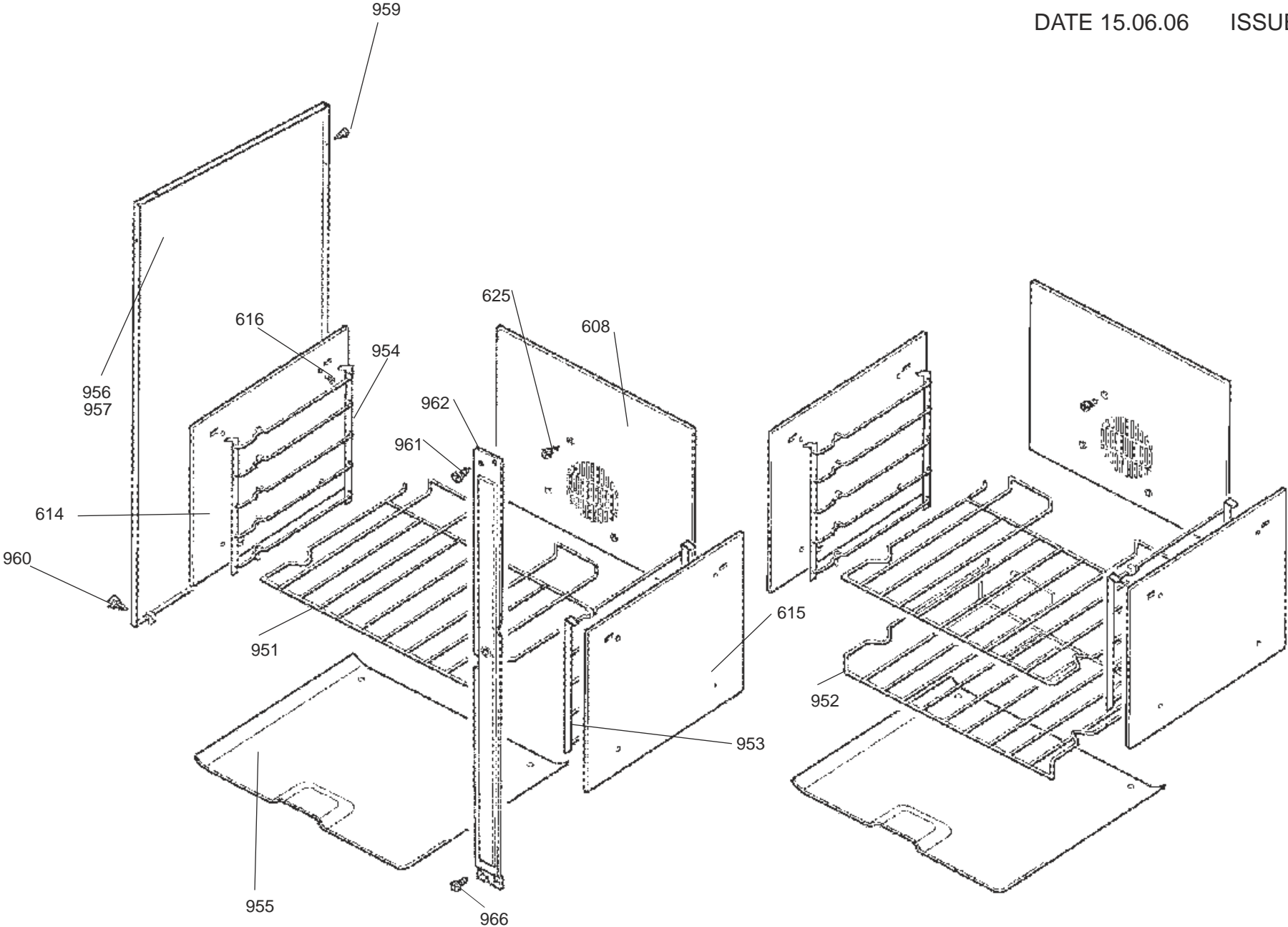
ISSUE STATUS 01

DSL0313 P07B

FROM SERIAL NUMBER 160000



STORAGE DRAWER

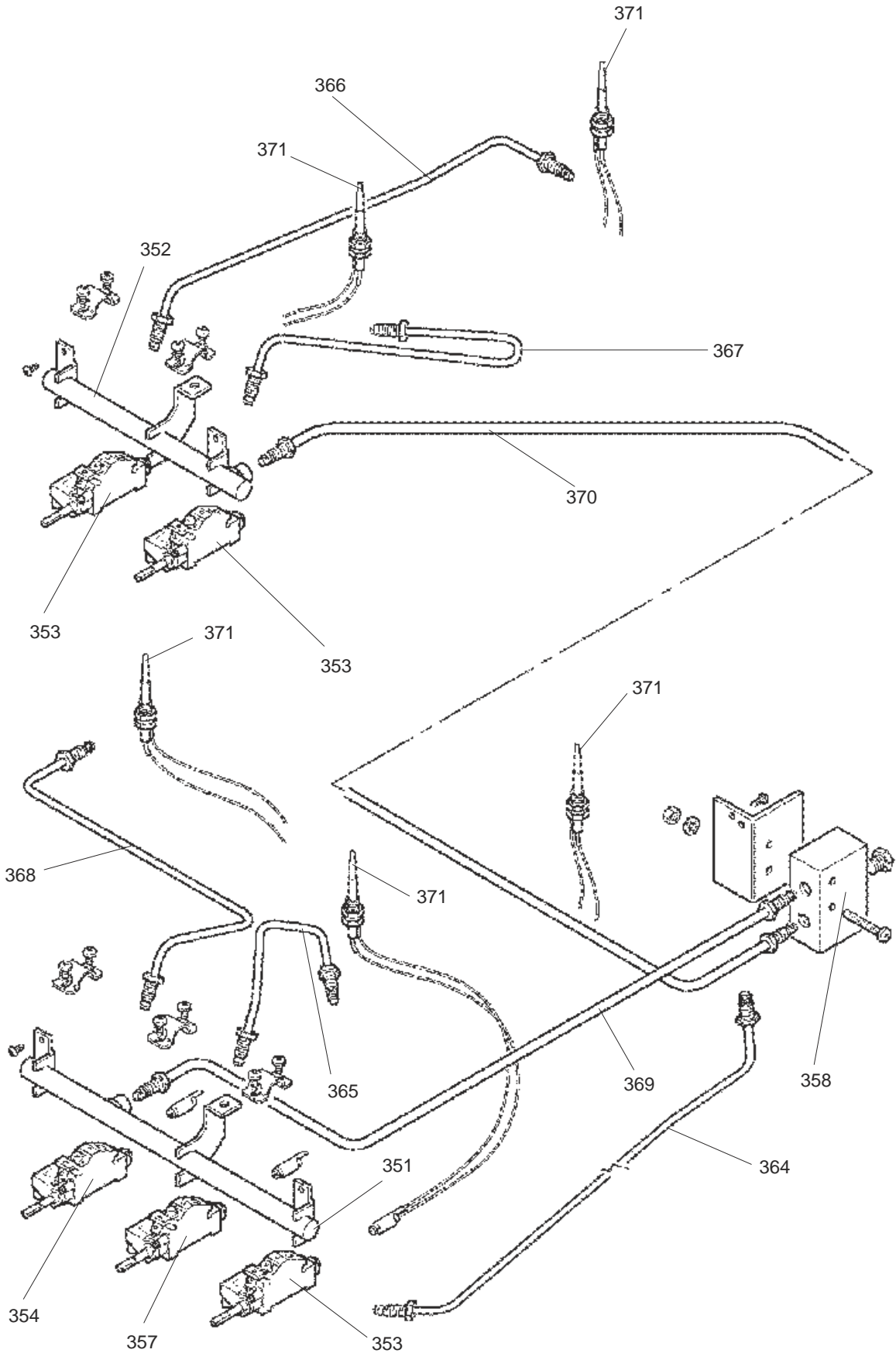


ALL MODELS

DATE 15.06.06

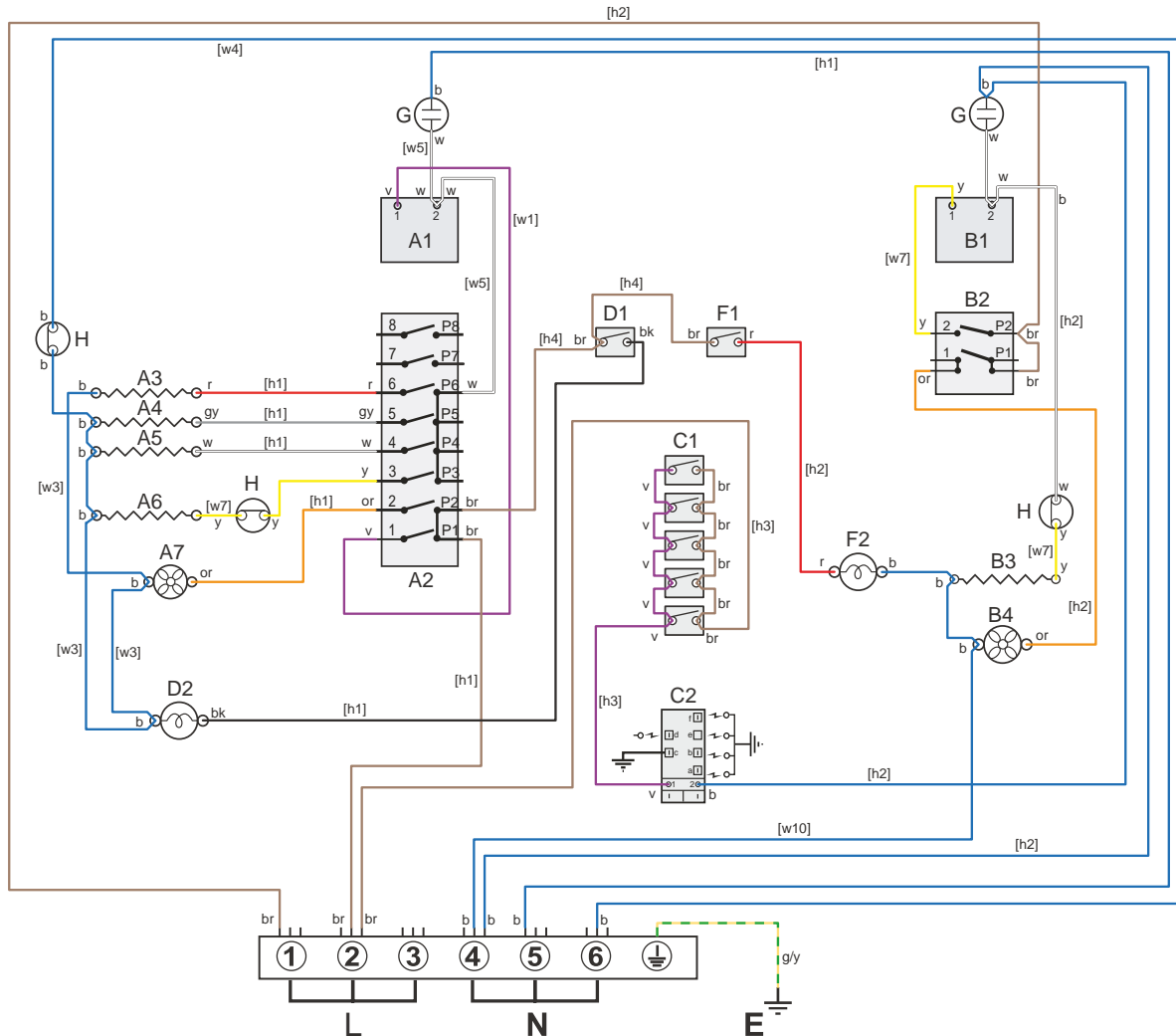
DSL0313 P09

ISSUE STATUS 01



GAS RAIL - TAPS - INJECTORS AND PIPES

FROM SERIAL NUMBER 158000



Code	Description
A1	Left-hand MFoven thermostat
A2	Left-hand MFoven controller
A3	Left-hand MFoven base element
A4	Left-hand MFoven top element (outer pair)
A5	Left-hand MFoven browning element (inner pair)
A6	Left-hand MFoven fanelement
A7	Left-hand MFoven fan
B1	Right-hand oven thermostat
B2	Right-hand oven thermostat front switch
B3	Right-hand oven fan element
B4	Right-hand oven fan

Code	Colour
b	Blue
br	Brown
bk	Black
or	Orange
r	Red
v	Violet
w	White
y	Yellow
g/y	Green/yellow
gr	Grey

Code	Description
C1	Hotplate burner ignition switches
C2	Ignition spark generator
D1	Left-hand oven light switch
D2	Left-hand oven light
F1	Right-hand oven light switch
F2	Right-hand oven light
G	Neon
H	Thermal cut-out

WIRING DIAGRAM