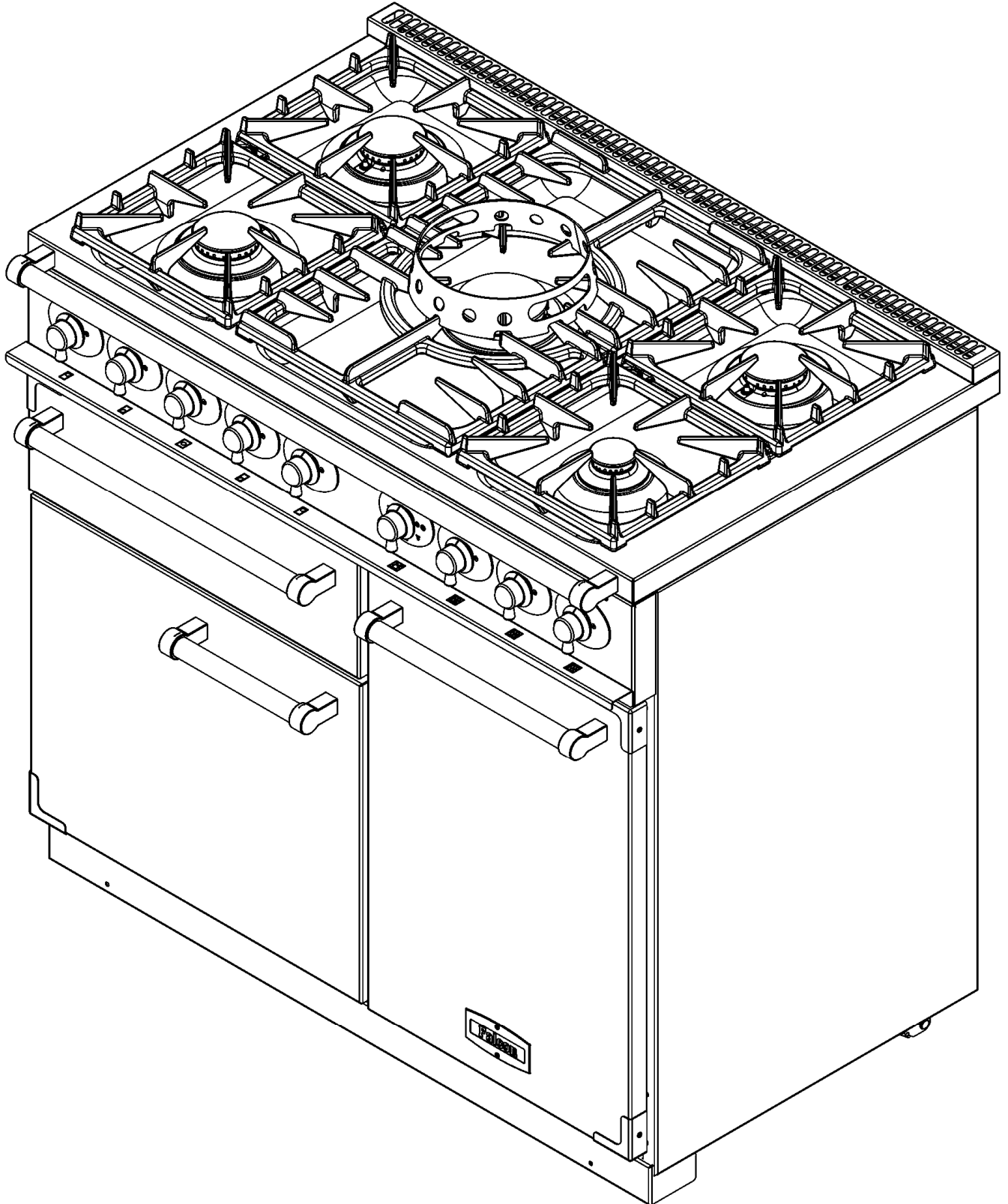
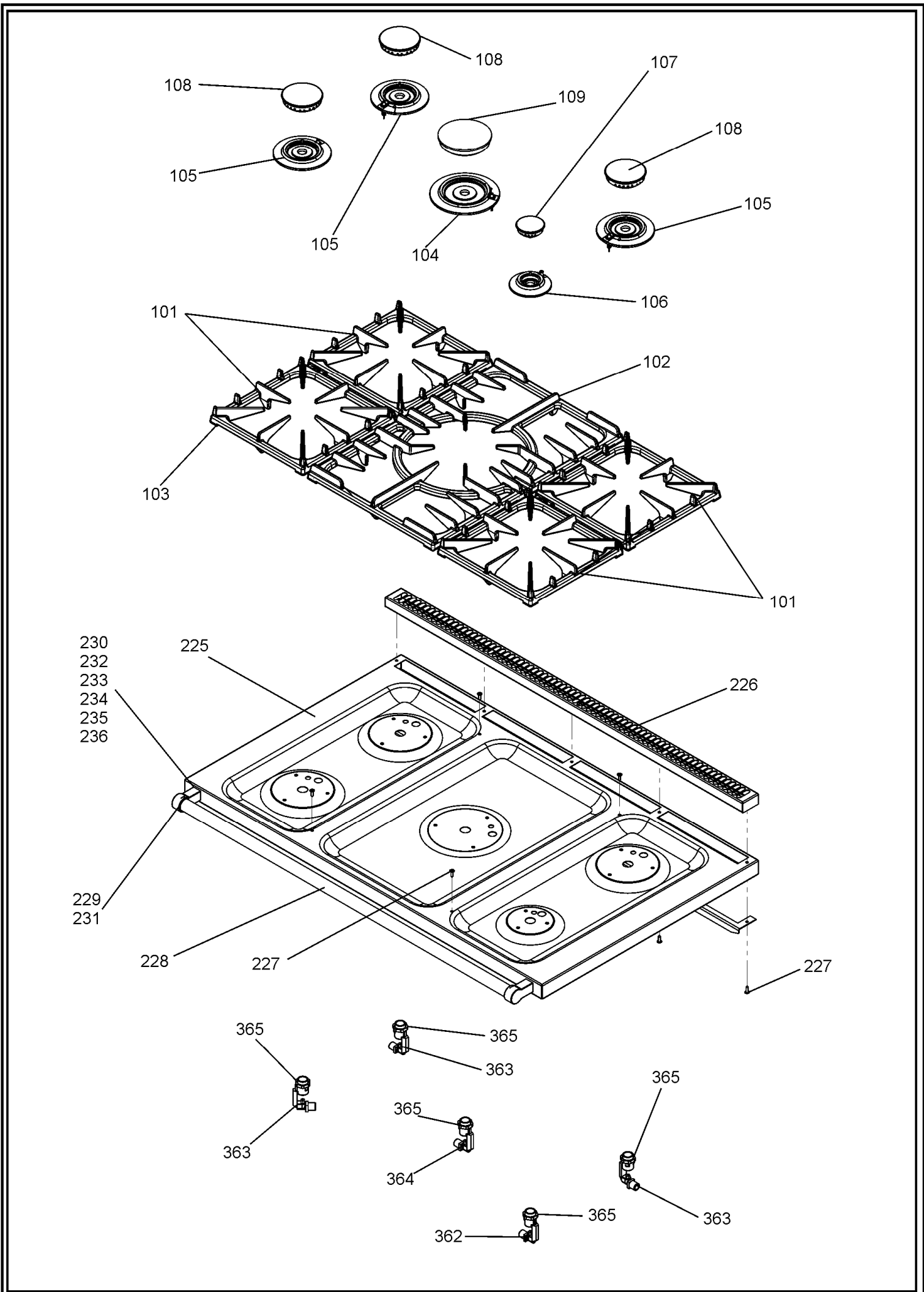


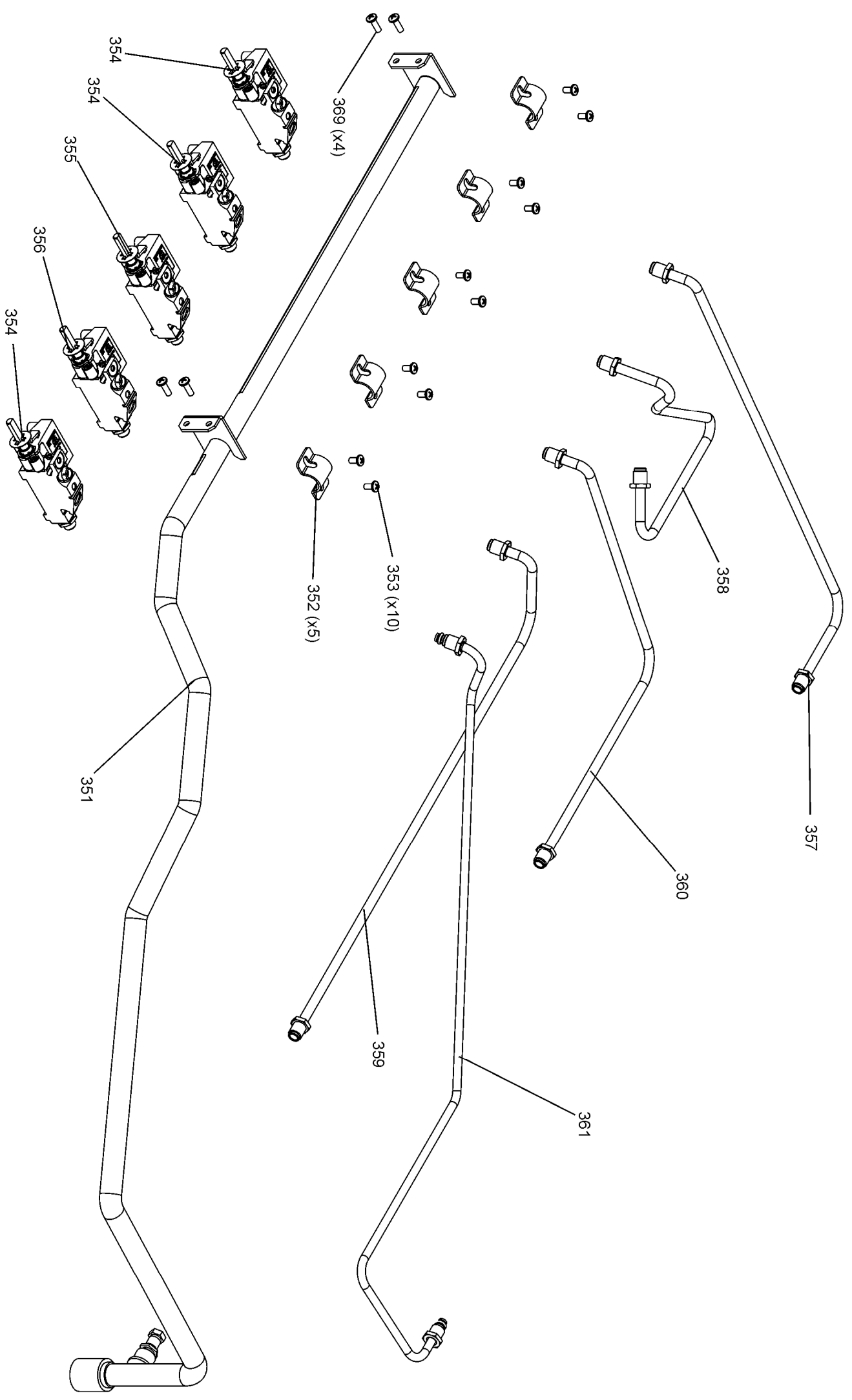
APPLIANCE NAME:
FALCON 1000 DELUXE DF

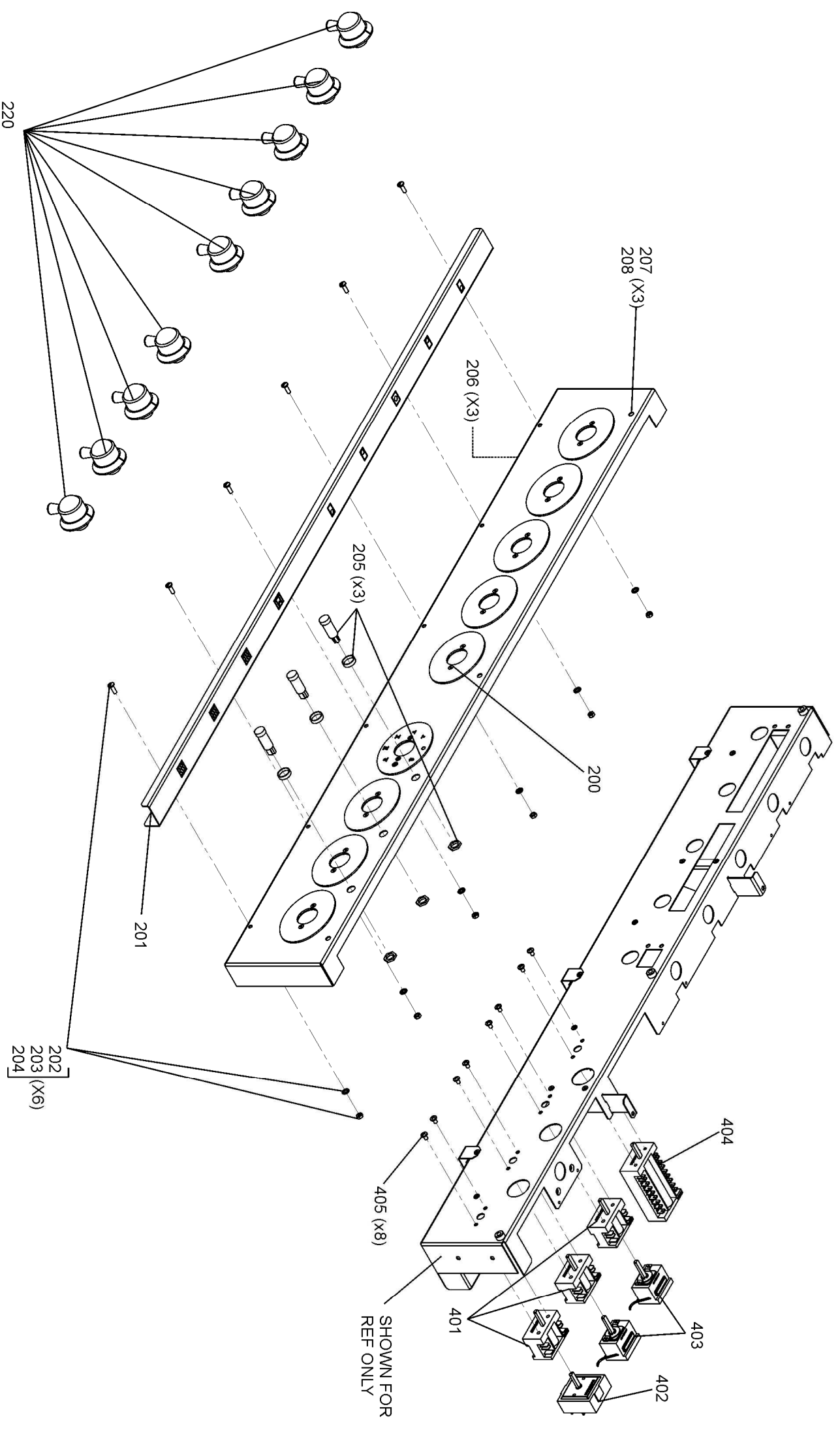
DSL0492 P00

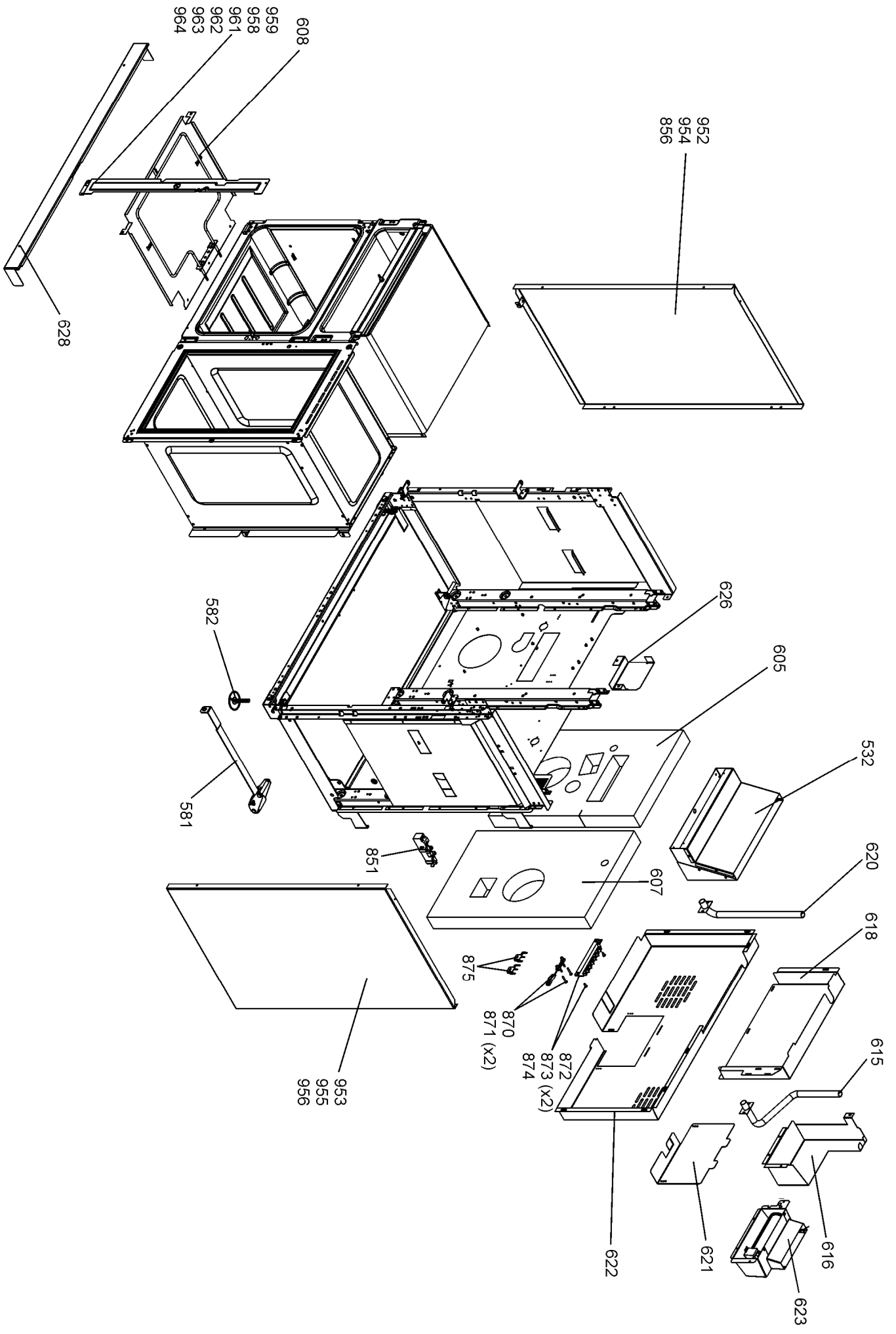
DATE 04.11.11 ISSUE STATUS 01









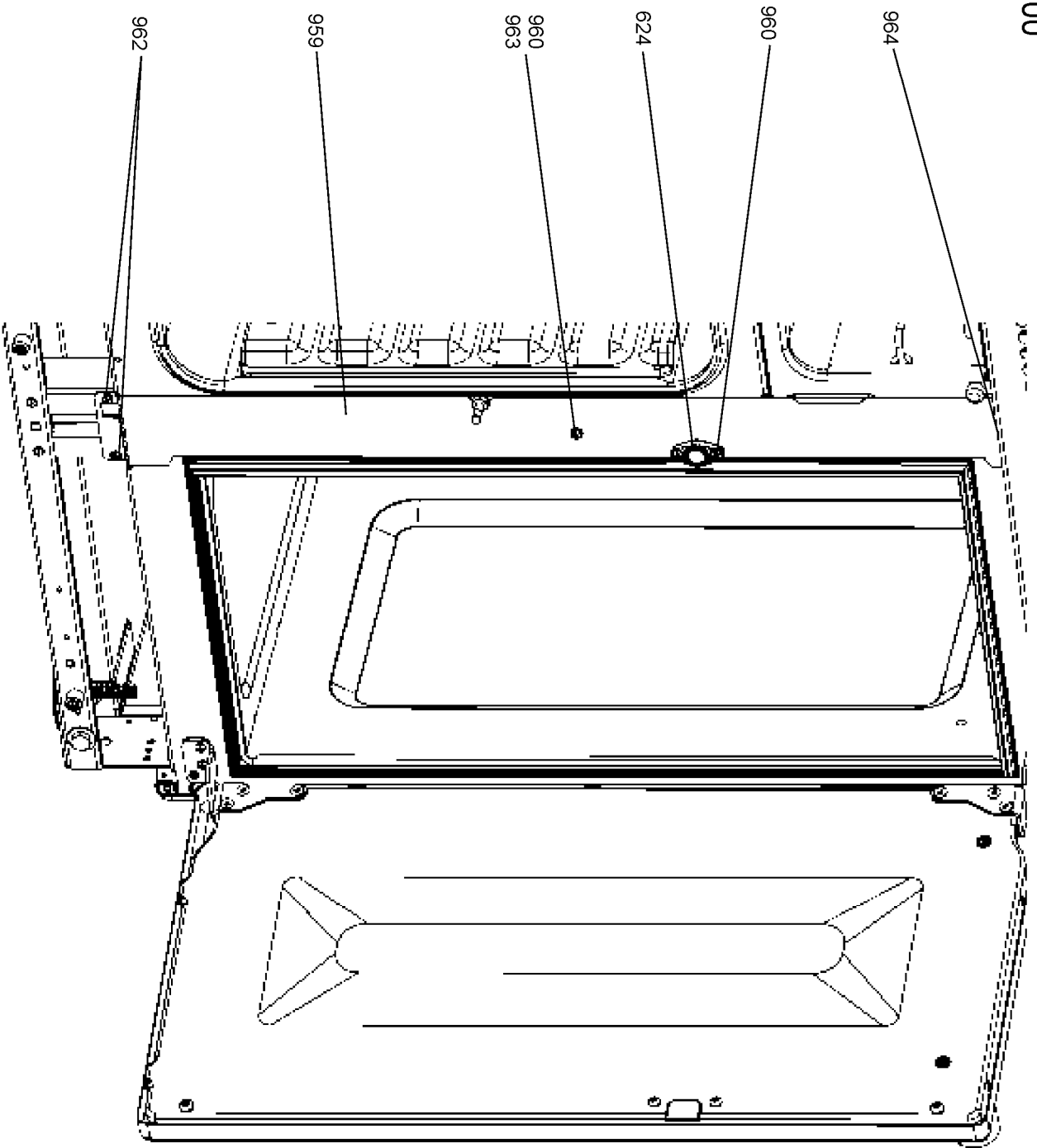


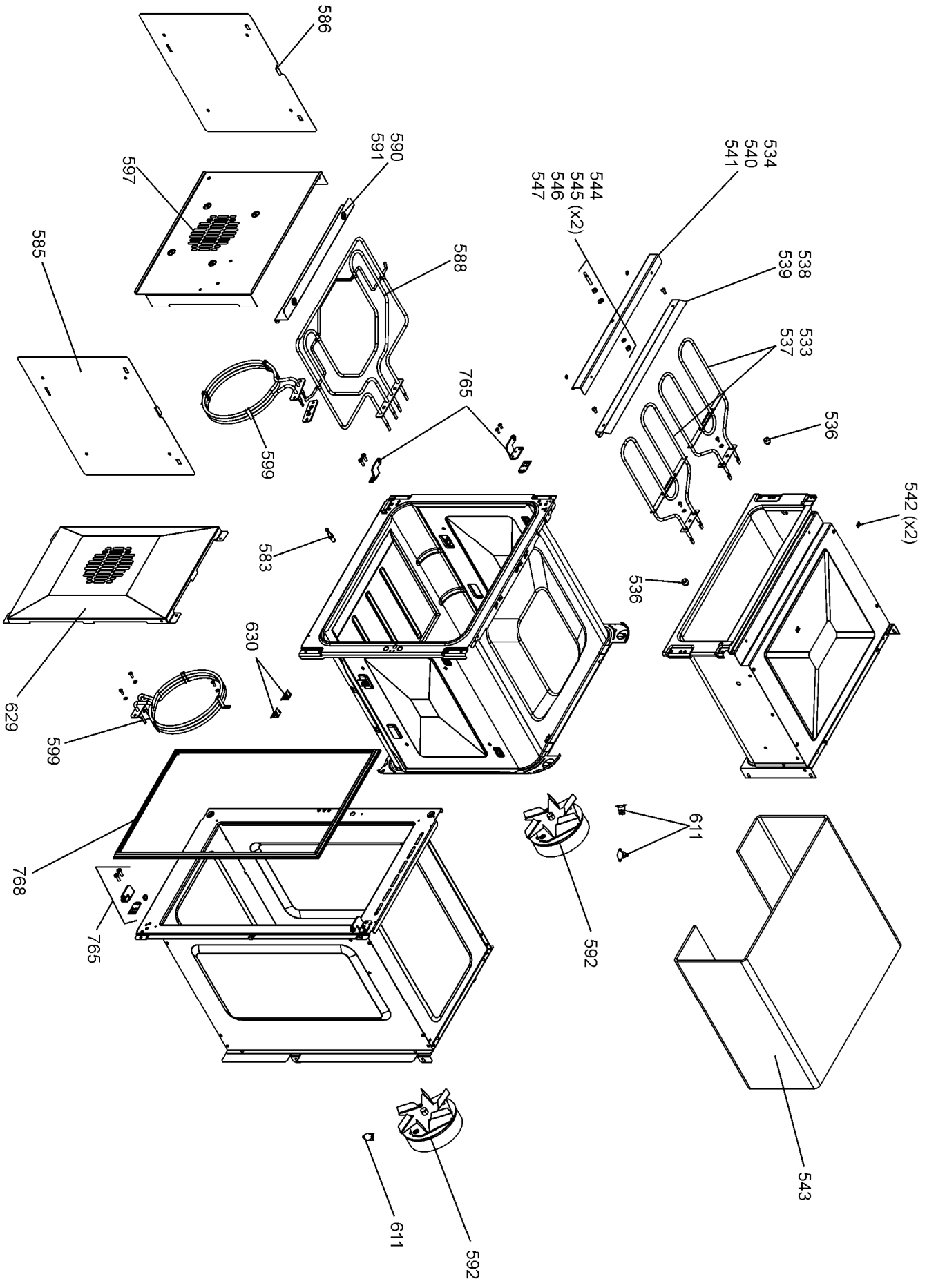
FALCON 1000 DELUXE DF

DATE 05.06.13

DSL0492 P04A
ISSUE STATUS 01

FROM SERIAL NUMBER 171000



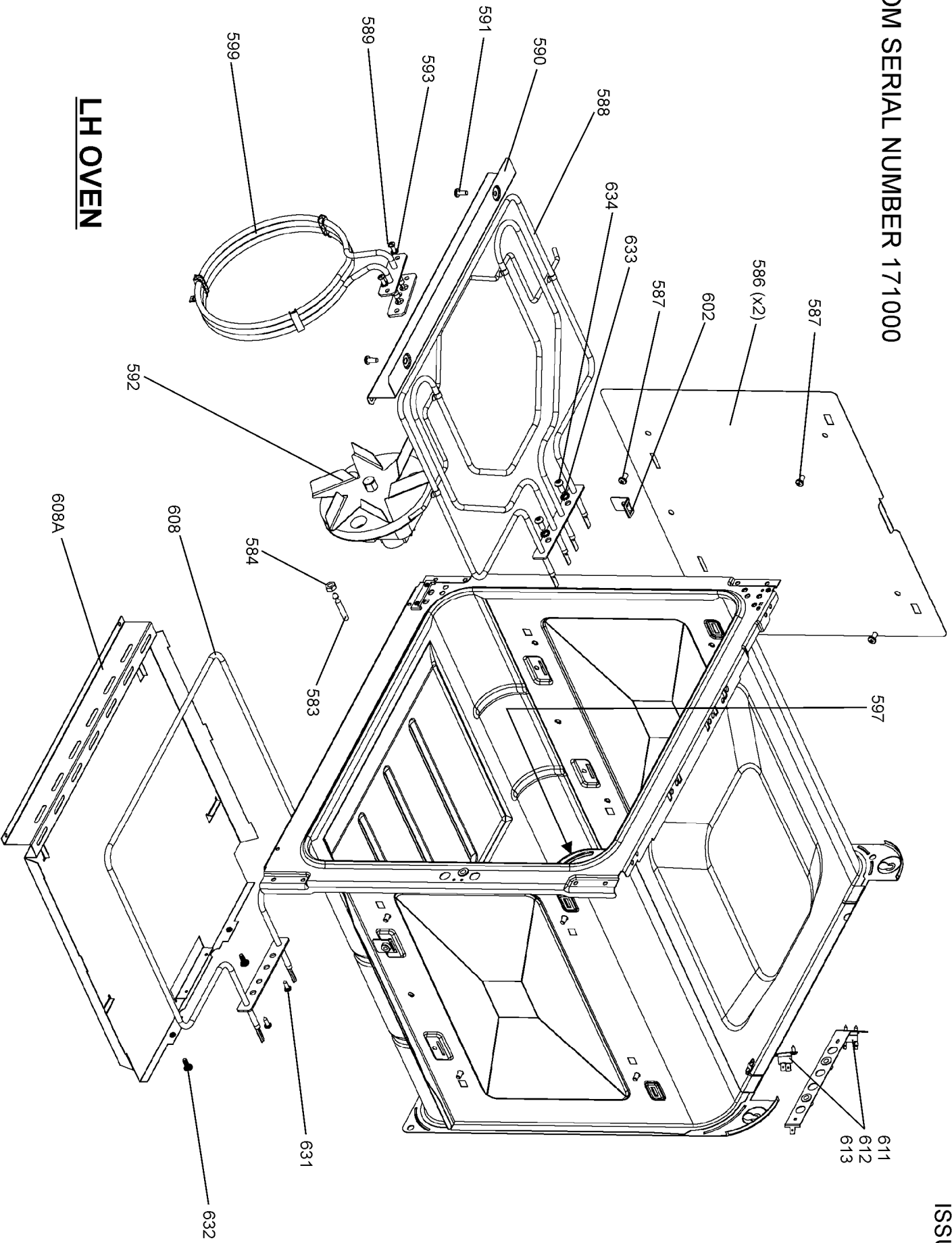


FALCON 1000 DELUXE DF

DATE 05.06.13

DSL0492 P05A
ISSUE STATUS 01

FROM SERIAL NUMBER 171000



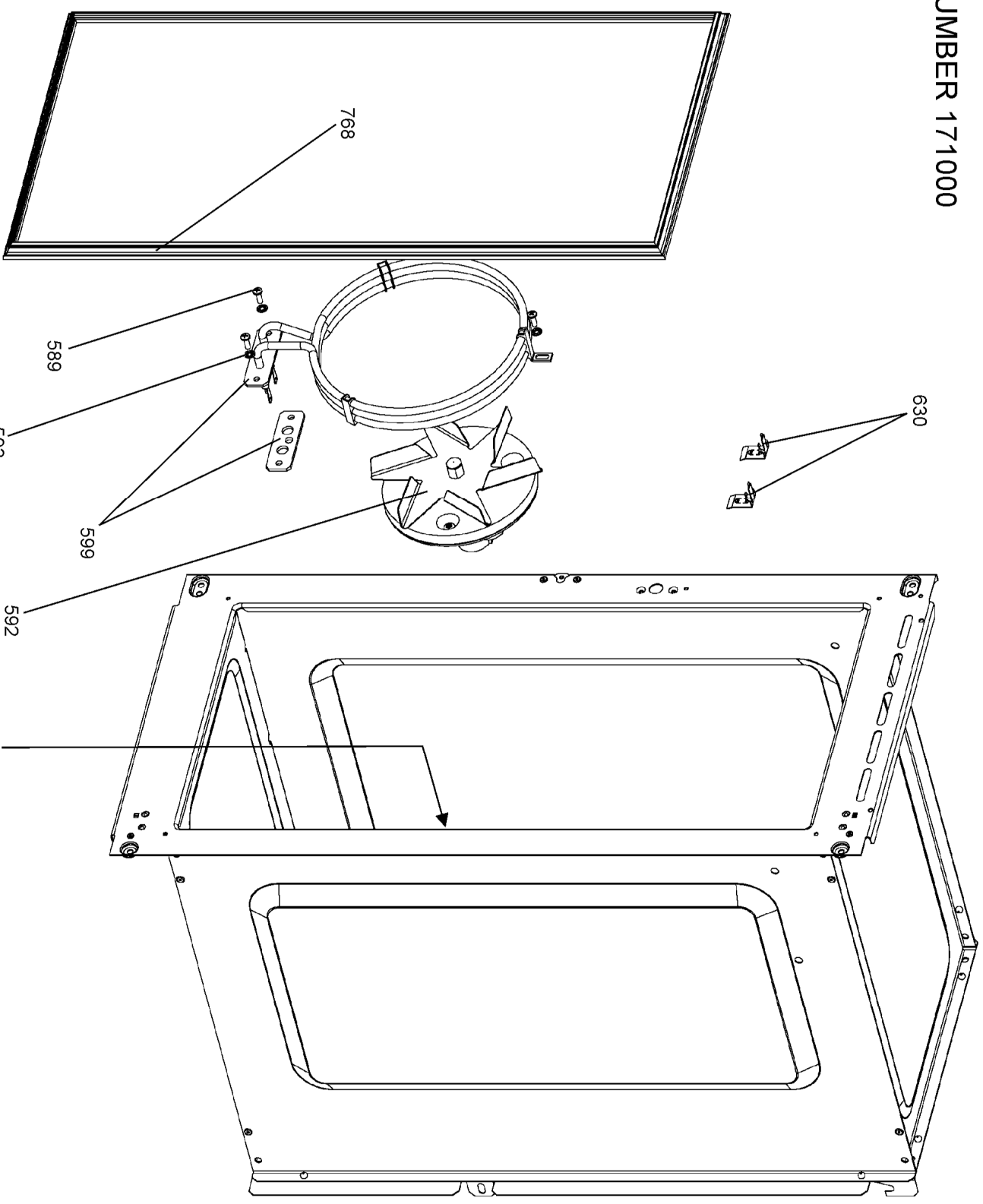
LH OVEN

FALCON 1000 DELUXE DF

FROM SERIAL NUMBER 171000

DATE 05.06.13

DSL0492 P05B
ISSUE STATUS 01



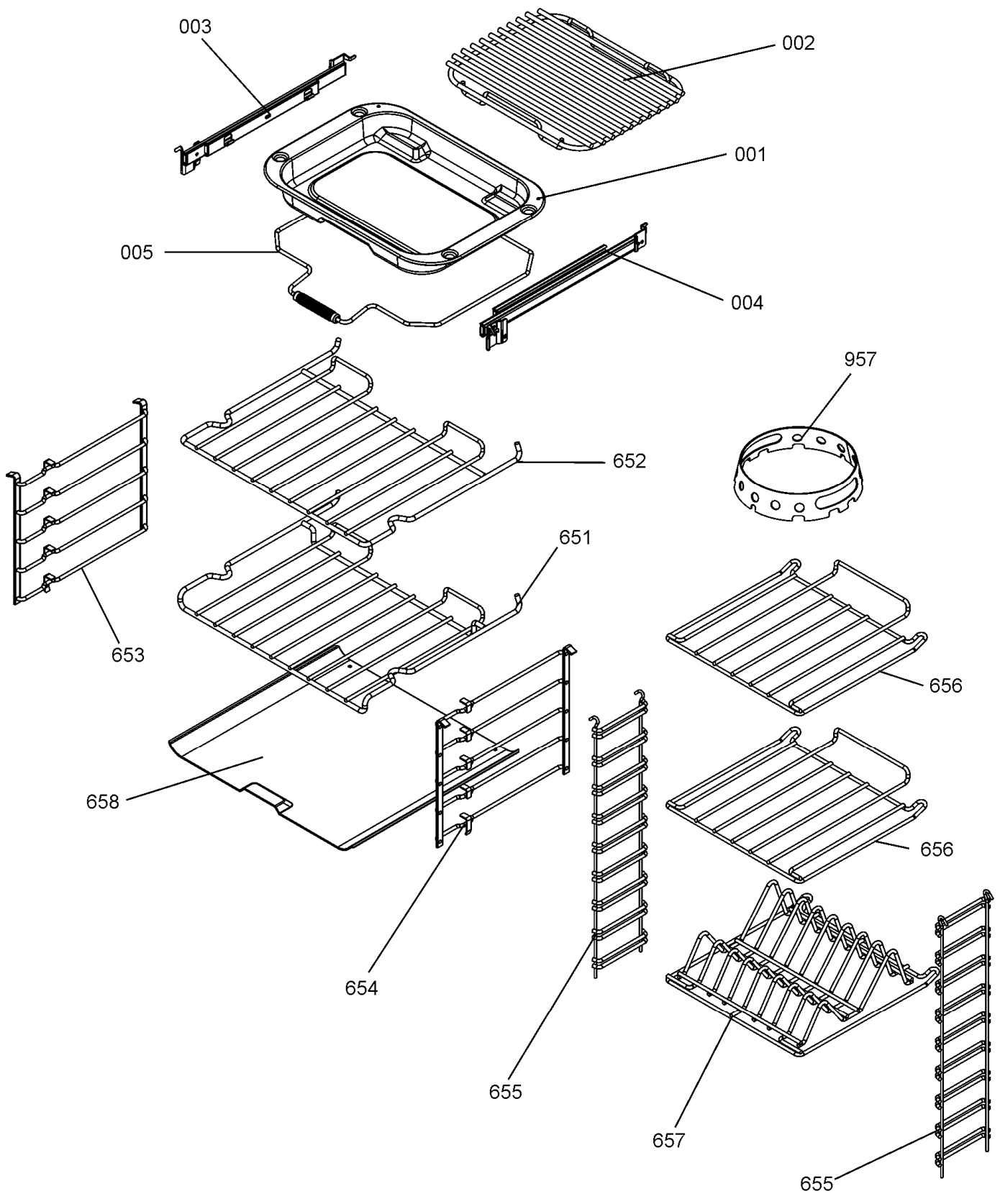
RH OVEN

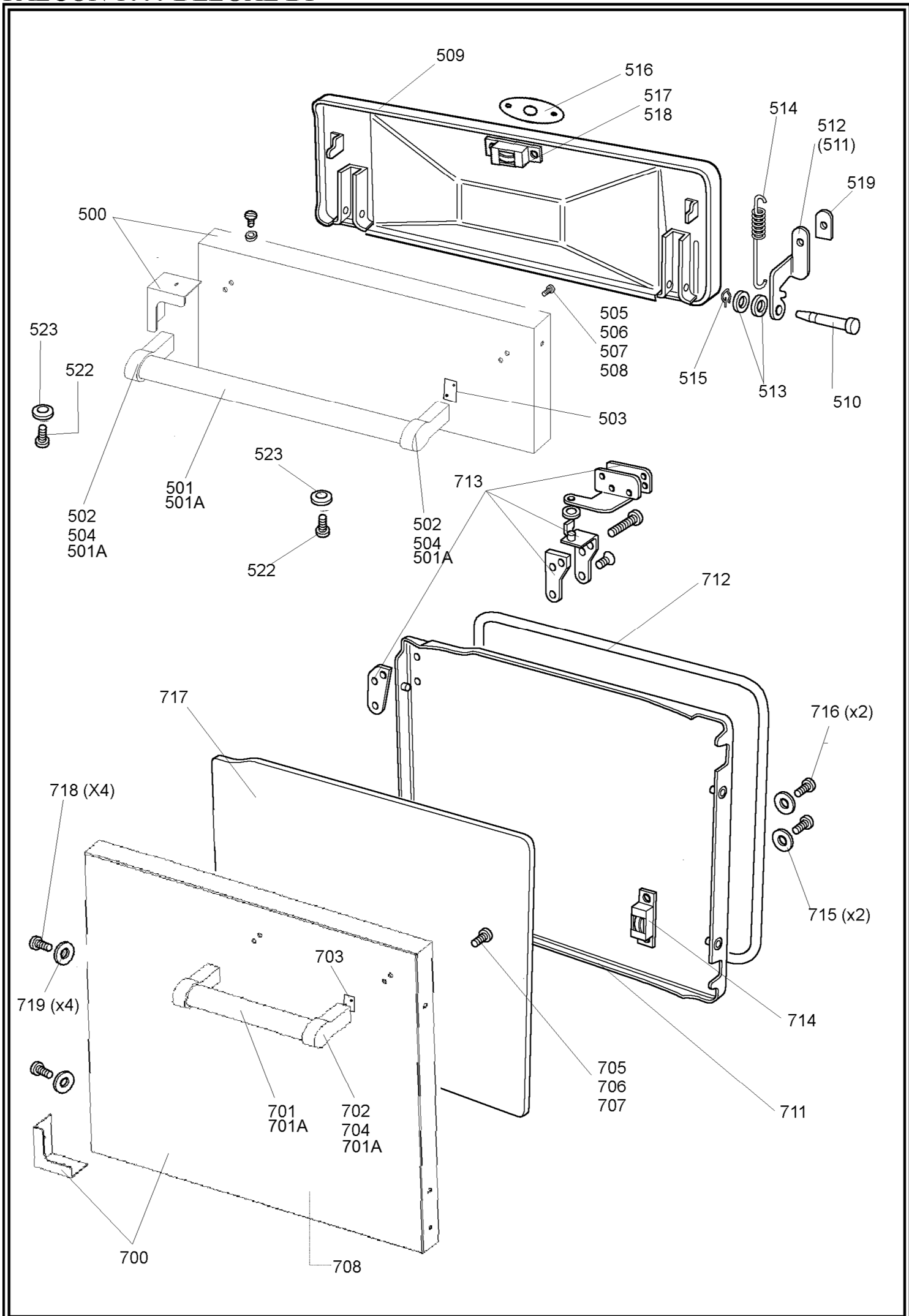
629
587
595

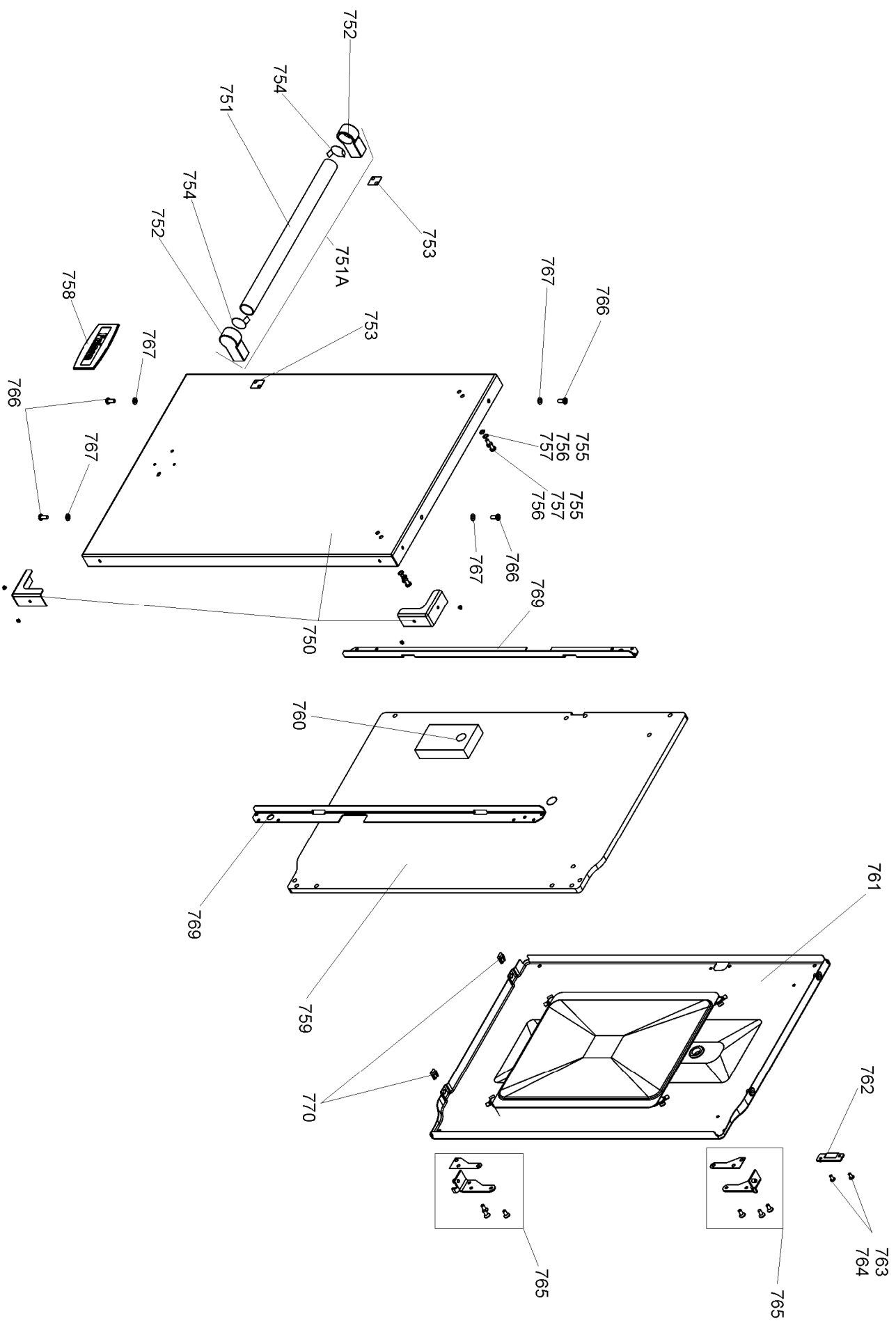
611
613
612

**APPLIANCE NAME:
FALCON 1000 DELUXE DF**

DSL0492 P06
DATE 07.11.11 ISSUE STATUS 01



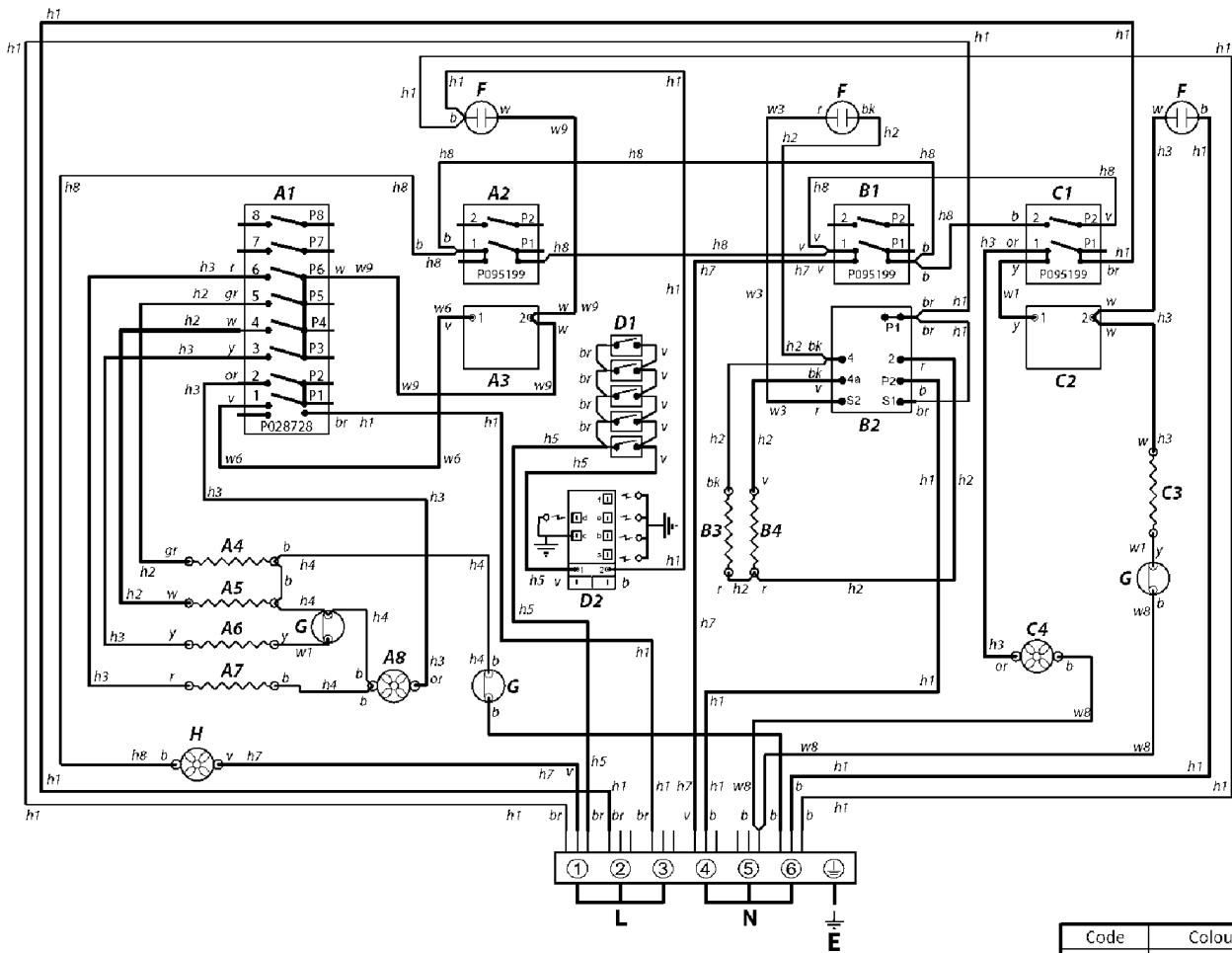




FALCON 1000 DELUXE DF

DSL0492 P09

DATE 07.11.11 ISSUE STATUS 01



| Key | Ref Number | Part Number | Colour | Quantity | Remarks |
|-----|------------|-------------|-------------|----------|---|
| 852 | w 1 | P037863 | y | 3 | Wire - Thermal cut-out to oven element / RH oven stat to RH oven front switch |
| 853 | w 2 | P094943 | g | 3 | Wire - (N) Upper Element Earths |
| 854 | w 3 | P094951 | r | 1 | Wire - Grill neon feed |
| 855 | w 4 | P049241 | g | 1 | Wire - (N) Spark generator earth |
| 856 | w 5 | P055374 | g | 2 | Wire - (N) Grill earth |
| 857 | w 6 | P033086 | v | 1 | Wire - MF switch to LH stat |
| 858 | w 7 | P027672 | g | 2 | Wire - (N) Earth linking oven element, fan and terminal block |
| 859 | h 1 | P049421 | br/b | 1 | Harness - Terminal block to grill, RH oven front switch and MF switch |
| 860 | h 2 | P033874 | bk/r/v/gr/w | 1 | Harness - Grill and top oven elements |
| 861 | h 3 | P033875 | w/or/y | 1 | Harness - MF switch to oven fans and lower elements |
| 862 | h 4 | P033876 | b | 1 | Harness - MF oven neutrals |
| 863 | w 8 | P027733 | b | 1 | Wire - RH oven fan to cut-out to terminal block neutrals |
| 864 | h 5 | P057032 | br/v | 1 | Harness - Ignition switches to spark generator and terminal block |
| 865 | h 6 | P049328 | --- | 1 | Harness - (N) HT wires spark generator to each hotplate electrode |
| 866 | w 9 | P095565 | w | 1 | Wire - MF switch to stat to neon |
| 867 | h 7 | P052972 | v | 1 | Harness - Cooling fan and grill front switch to terminal block |
| 868 | h 8 | P051841 | b/v | 1 | Harness - Grill front switch and stat front switch to cooling fan |

| Code | Colour |
|------|--------------|
| b | Blue |
| br | Brown |
| bk | Black |
| or | Orange |
| r | Red |
| v | Violet |
| w | White |
| y | Yellow |
| g/y | Green/Yellow |
| gr | Grey |

| Code | Description |
|------|---|
| C1 | Right-hand oven thermostat |
| C2 | Right-hand oven thermostat front switch |
| C3 | Right-hand oven fan element |
| C4 | Right-hand oven fan |
| D1 | Hotplate burner ignition switches |
| D2 | Ignition spark generator |
| F | Neon |
| G | Thermal cut-out |
| H | Cooling fan |

| Code | Description |
|------|---|
| A1 | Left-hand MF oven controller |
| A2 | Left-hand MF oven front switch |
| A3 | Left-hand MF oven thermostat |
| A4 | Left-hand MF oven base element |
| A5 | Left-hand MF oven top element (outer pair) |
| A6 | Left-hand MF oven browning element (inner pair) |
| A7 | Left-hand MF oven fan element |
| A8 | Left-hand MF oven fan |
| B1 | Grill front switch |
| B2 | Grill energy regulator |
| B3 | Left-hand grill element |
| B4 | Right-hand grill element |

N Not Illustrated

w - Single Cable / Single Cable with multiple terminations

h - Harness Assembly (including Single Wires that are Sheathed)