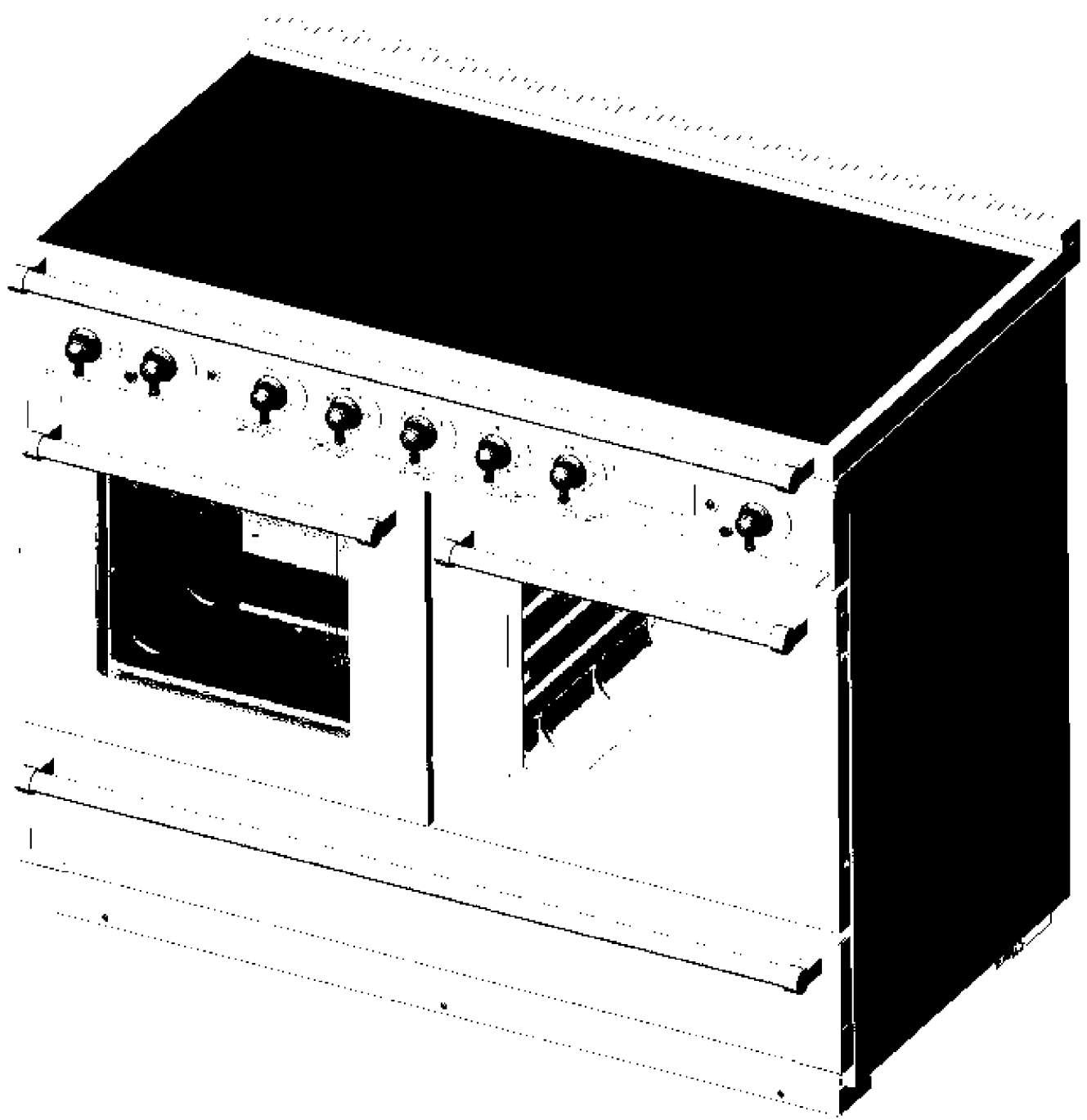


APPLIANCE NAME:
FALCON CONTINENTAL INDUCTION

DSL0349 P00
DATE 03.08.07 ISSUE STATUS 01

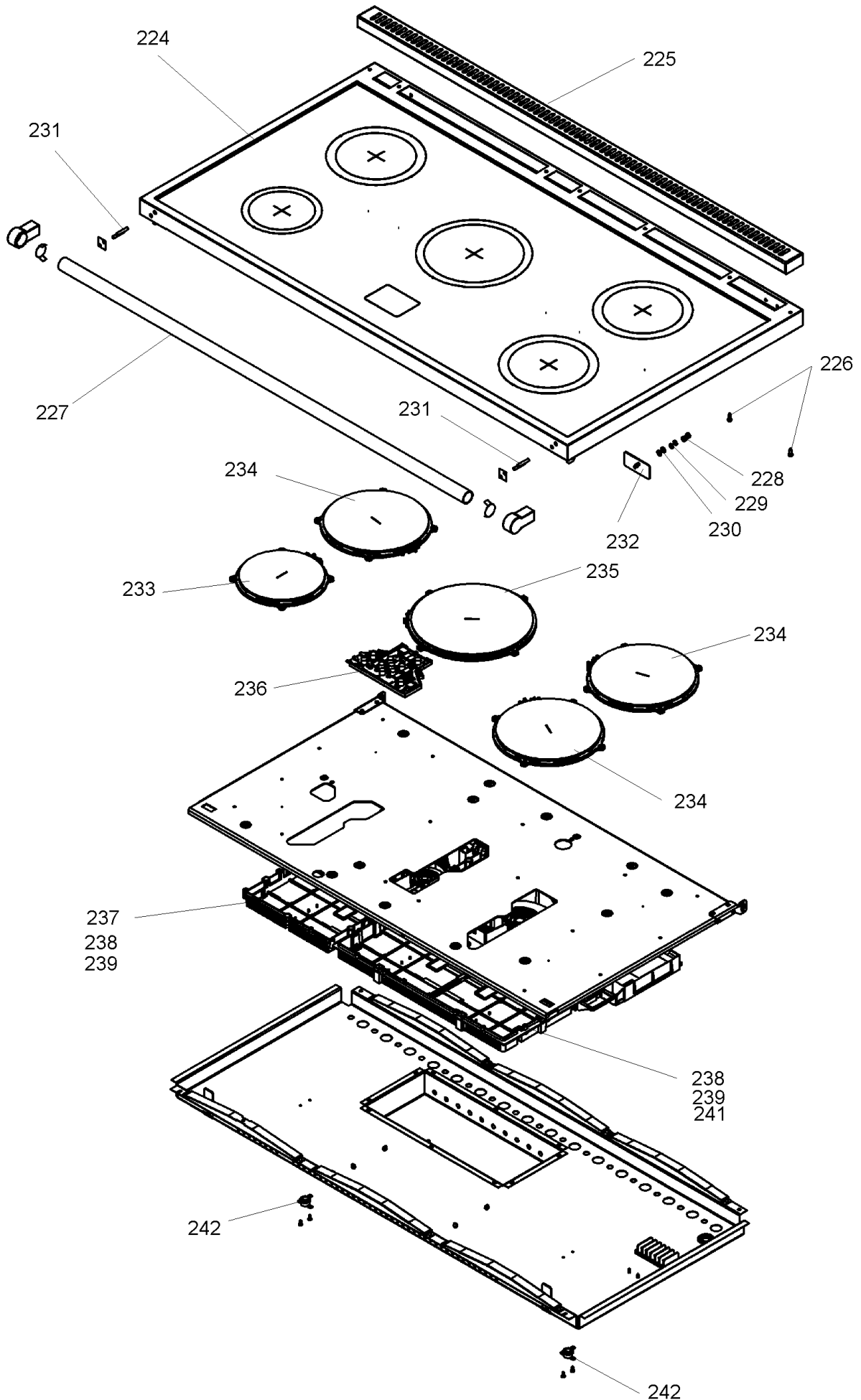


FALCON CONTINENTAL INDUCTION

DATE 02.05.13

DSL0349 P01
ISSUE STATUS 02

UP TO SERIAL NUMBER 157999

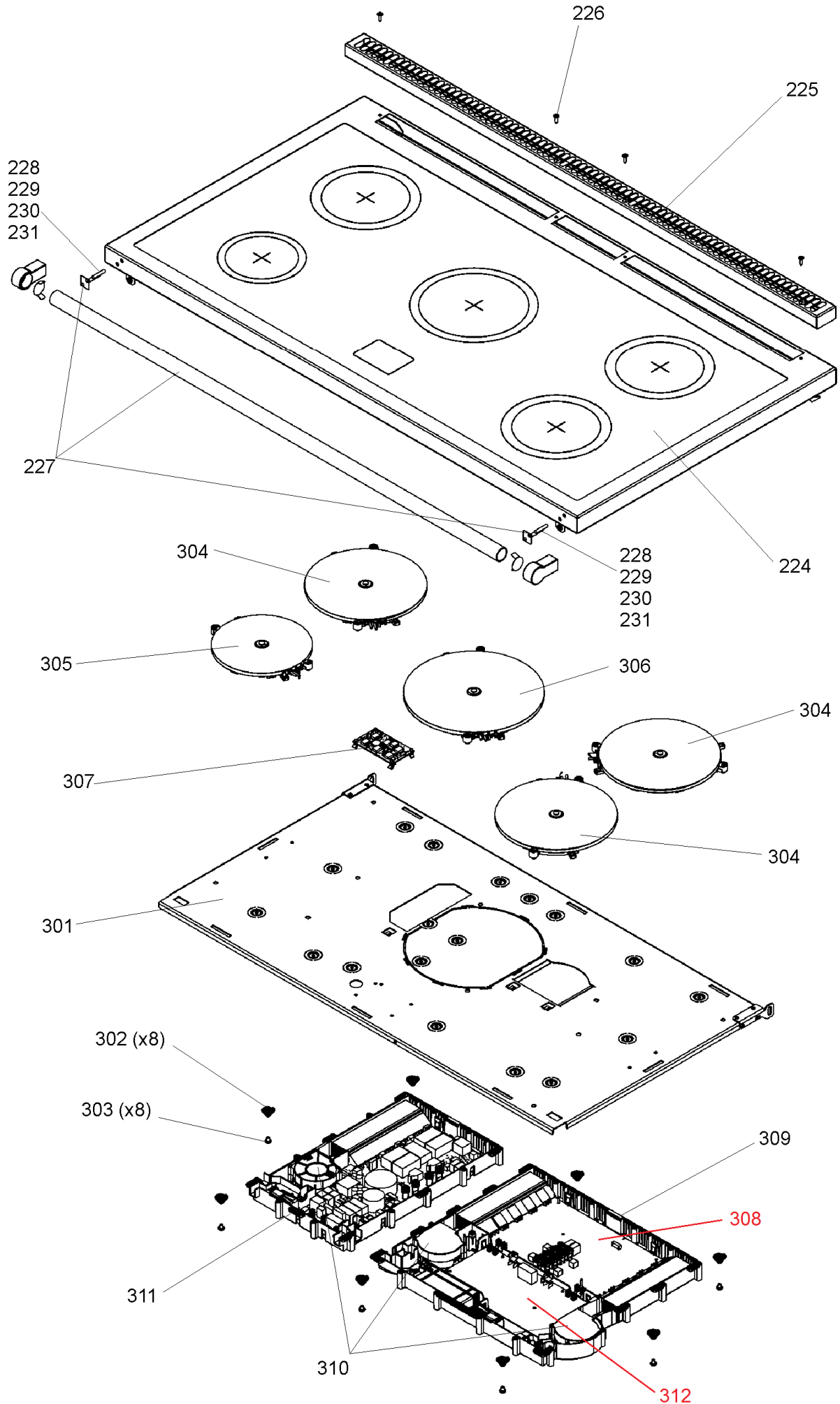


FALCON CONTINENTAL INDUCTION

DATE 02.05.13

DSL0349 P01A
ISSUE STATUS 01

G5 INDUCTION
FROM SERIAL NUMBER 158000

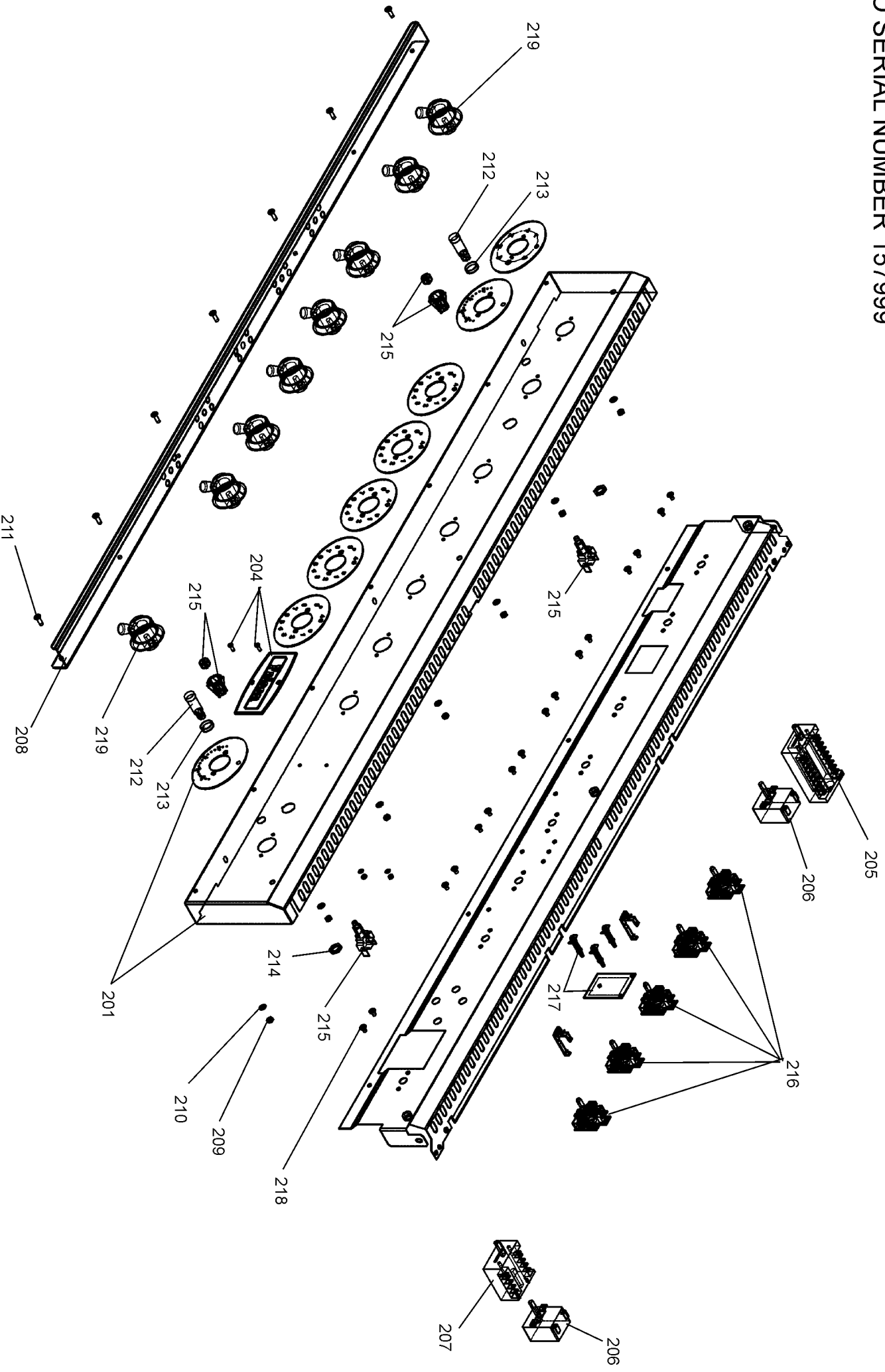


FALCON CONTINENTAL INDUCTION

UP TO SERIAL NUMBER 157999

DATE 02.05.13

DSL0349 P02
ISSUE STATUS 03

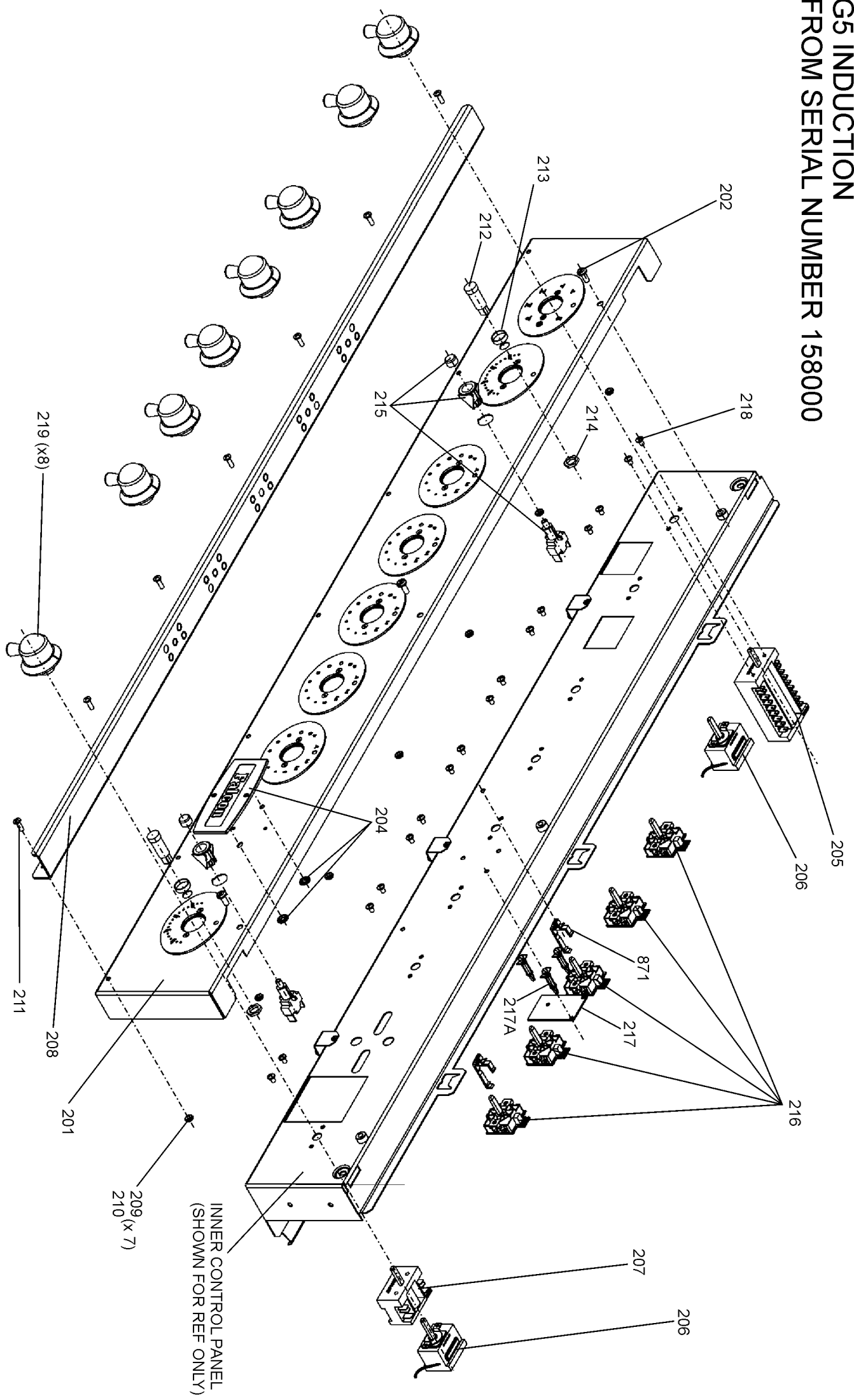


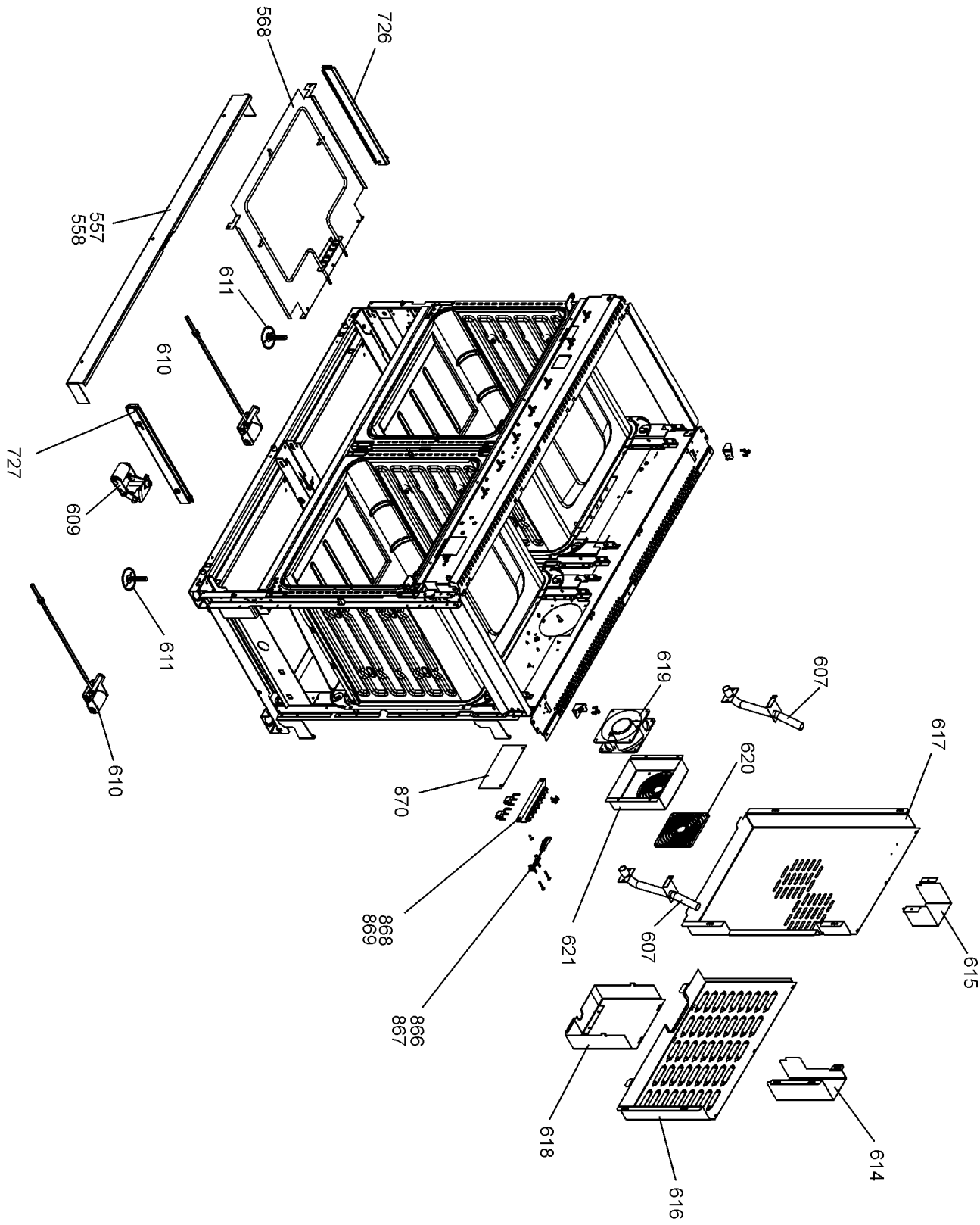
FALCON CONTINENTAL INDUCTION

G5 INDUCTION
FROM SERIAL NUMBER 158000

DATE 02.05.13

DSL0349 P02A
ISSUE STATUS 01

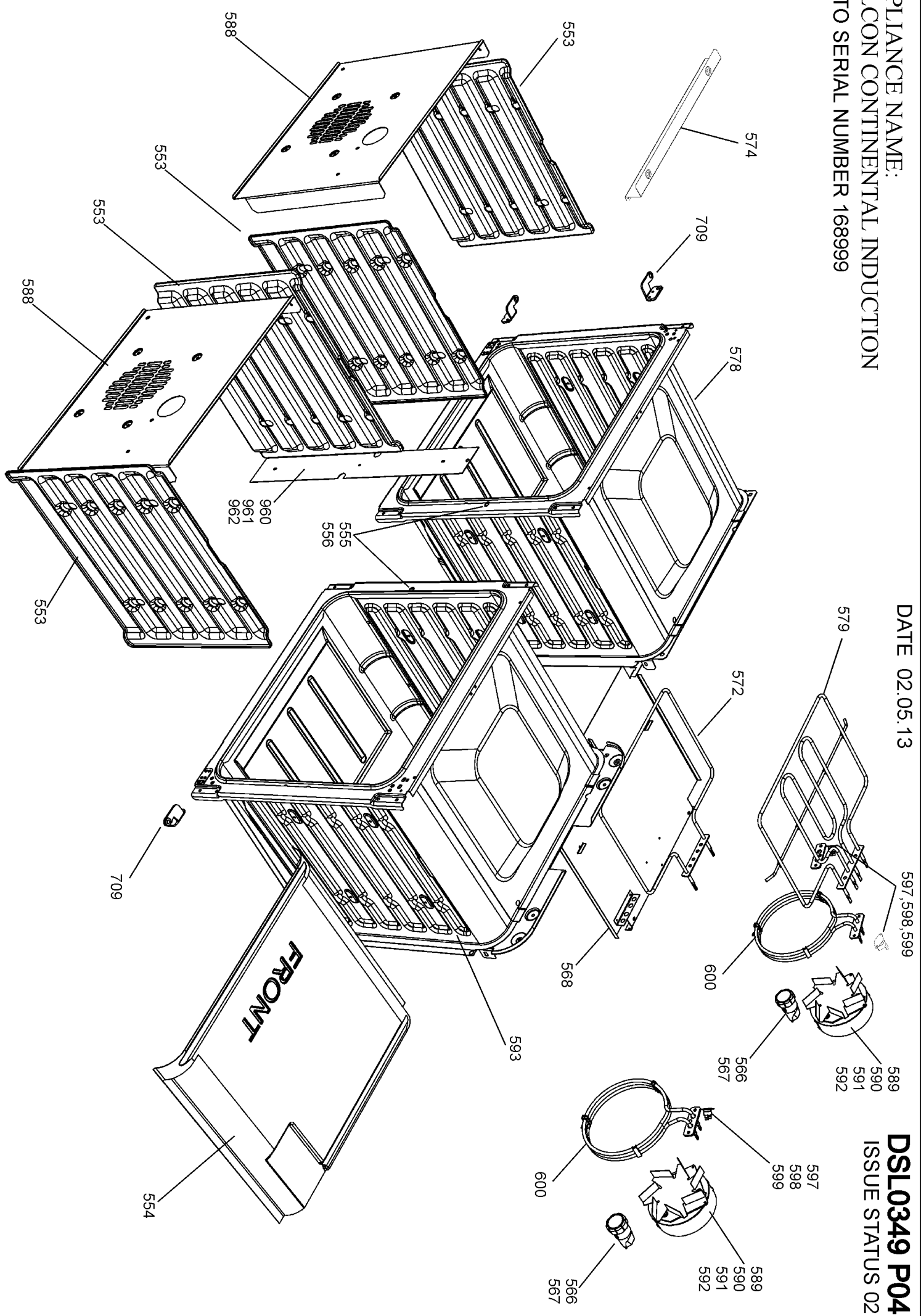




APPLIANCE NAME:
 FALCON CONTINENTAL INDUCTION
 UP TO SERIAL NUMBER 168999

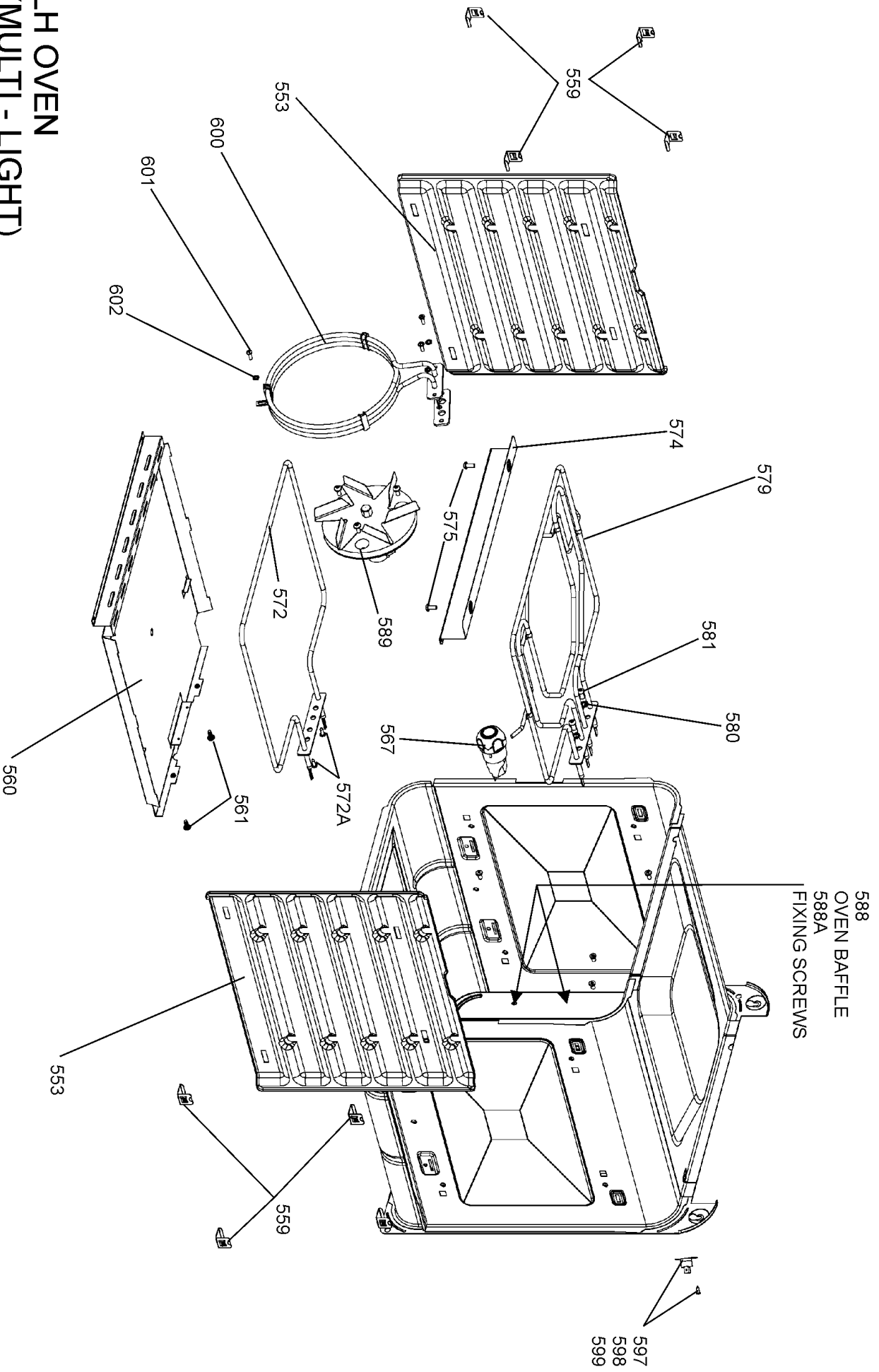
DATE 02.05.13

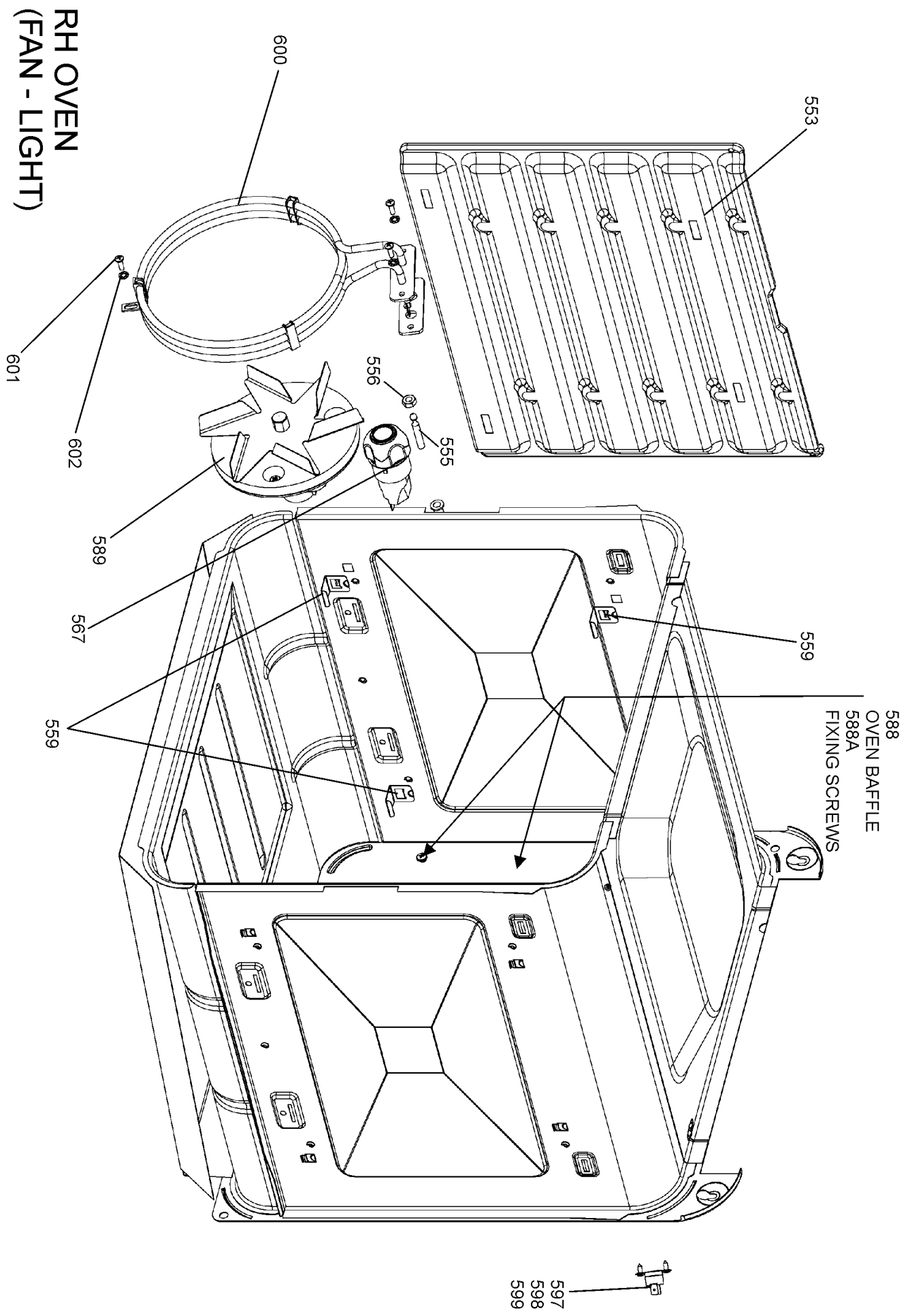
DSL0349 P04
 ISSUE STATUS 02



FROM SERIAL NUMBER 169000

LH OVEN
(MULTI - LIGHT)



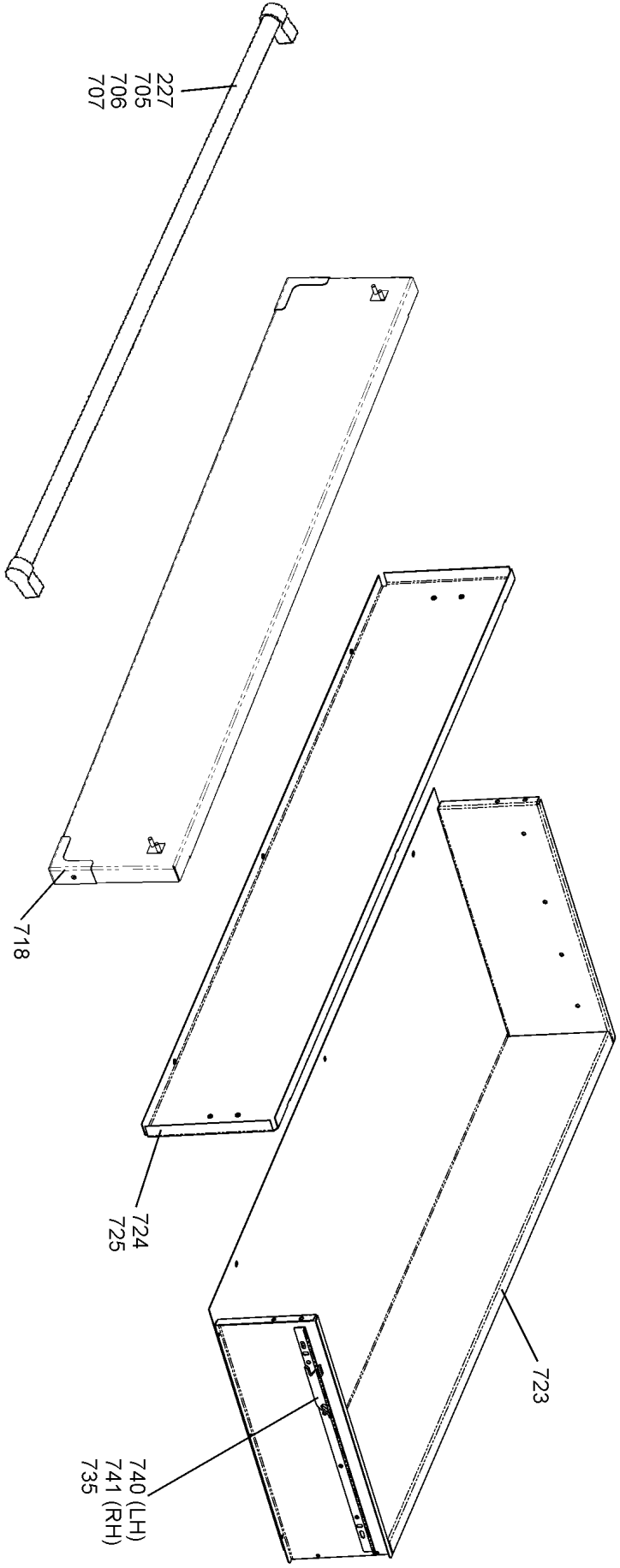


APPLIANCE NAME:
FALCON CONTINENTAL INDUCTION

UP TO SERIAL NUMBER 151999

DATE 02.05.13

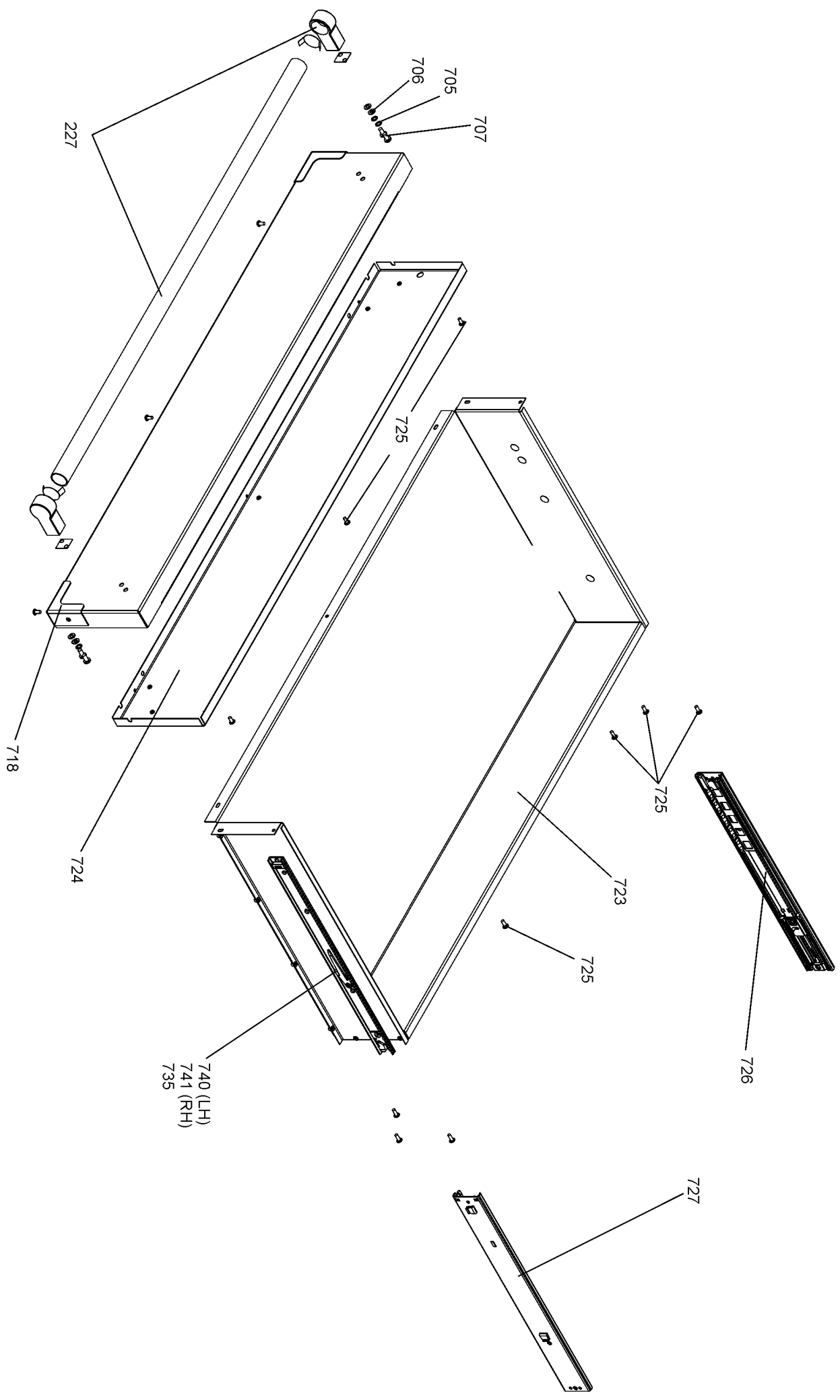
DSL0349 P05
ISSUE STATUS 03

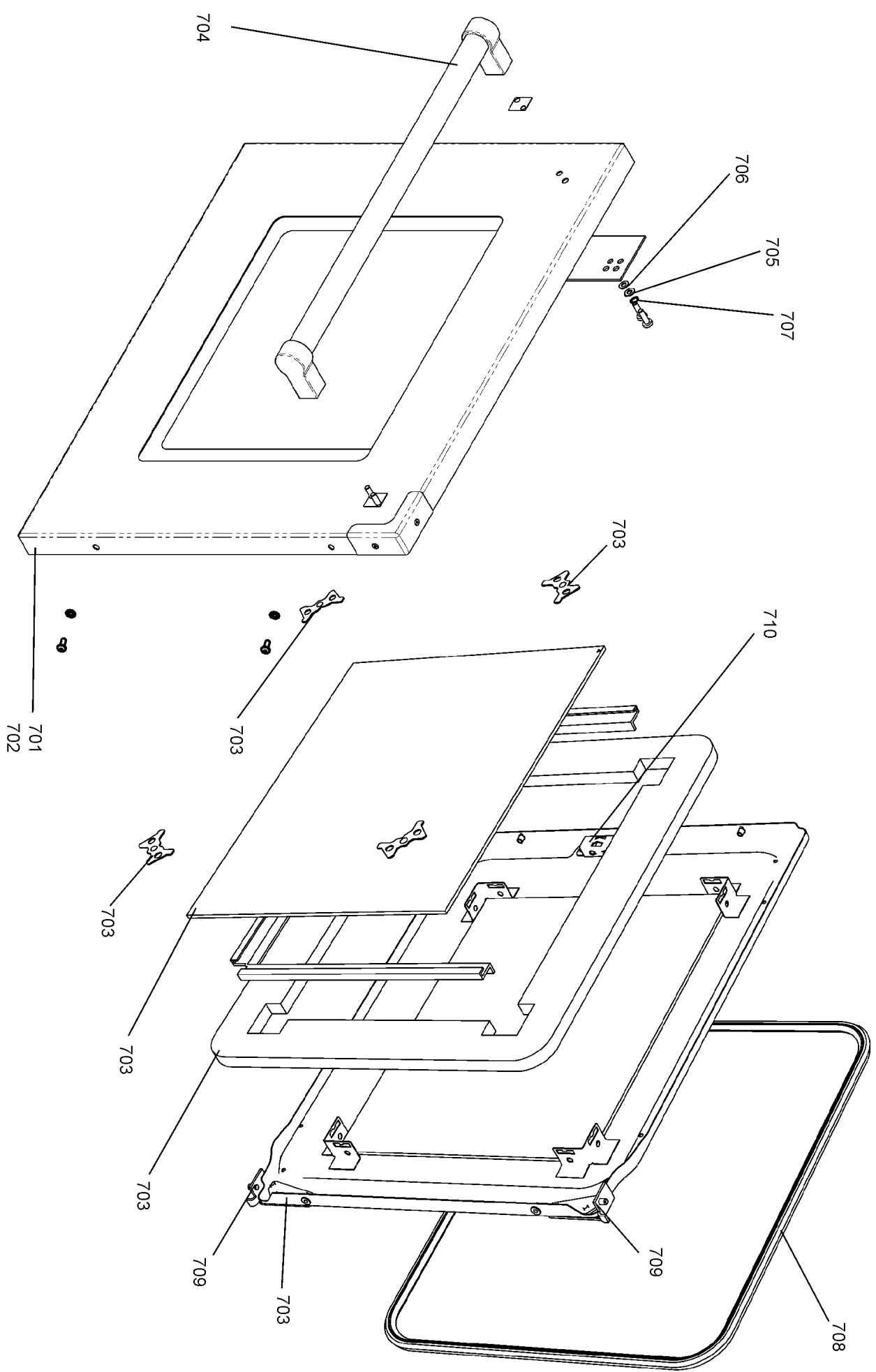


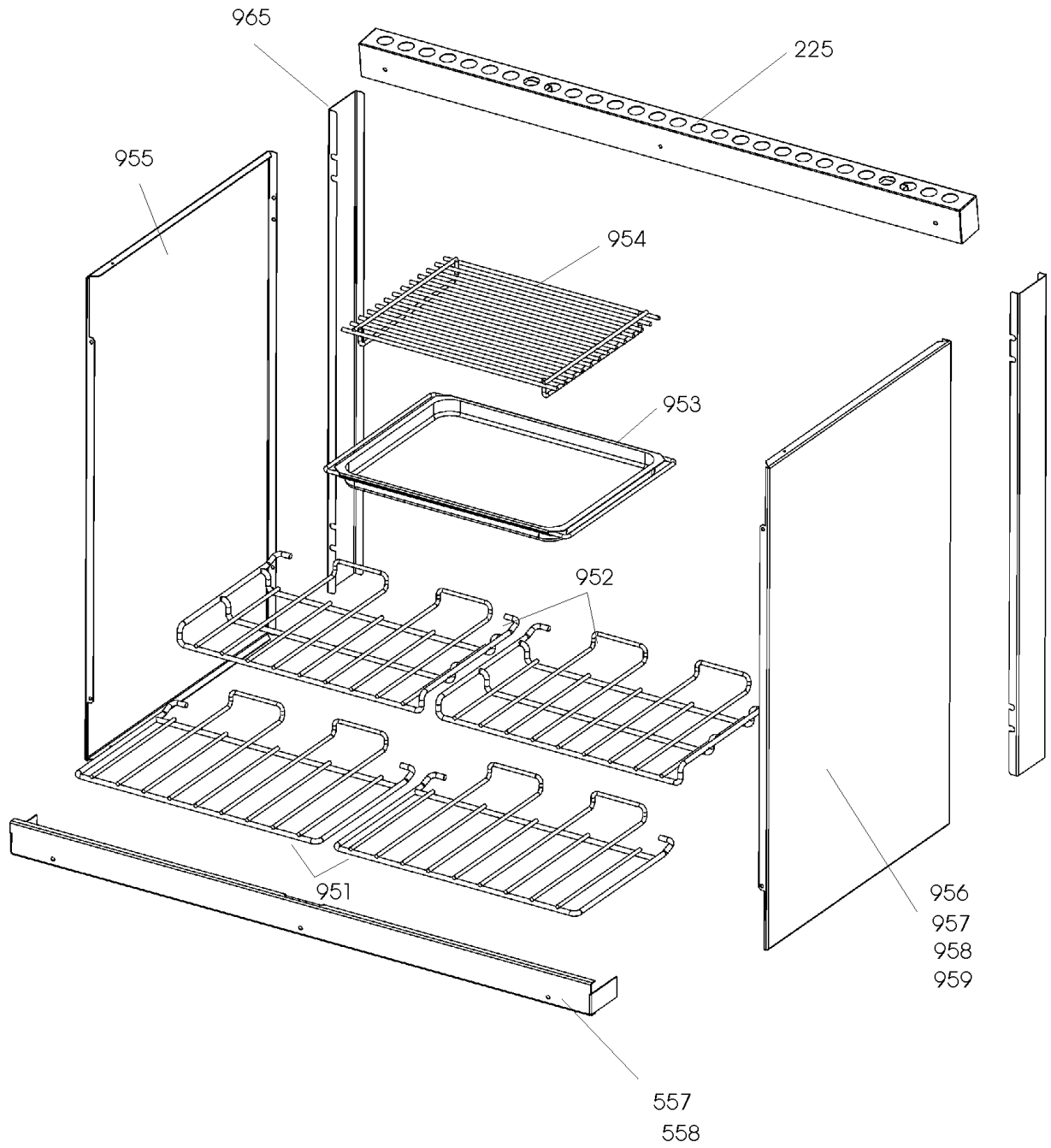
APPLIANCE NAME:
FALCON CONTINENTAL INDUCTION
FROM SERIAL NUMBER 152000

DATE 02.05.13

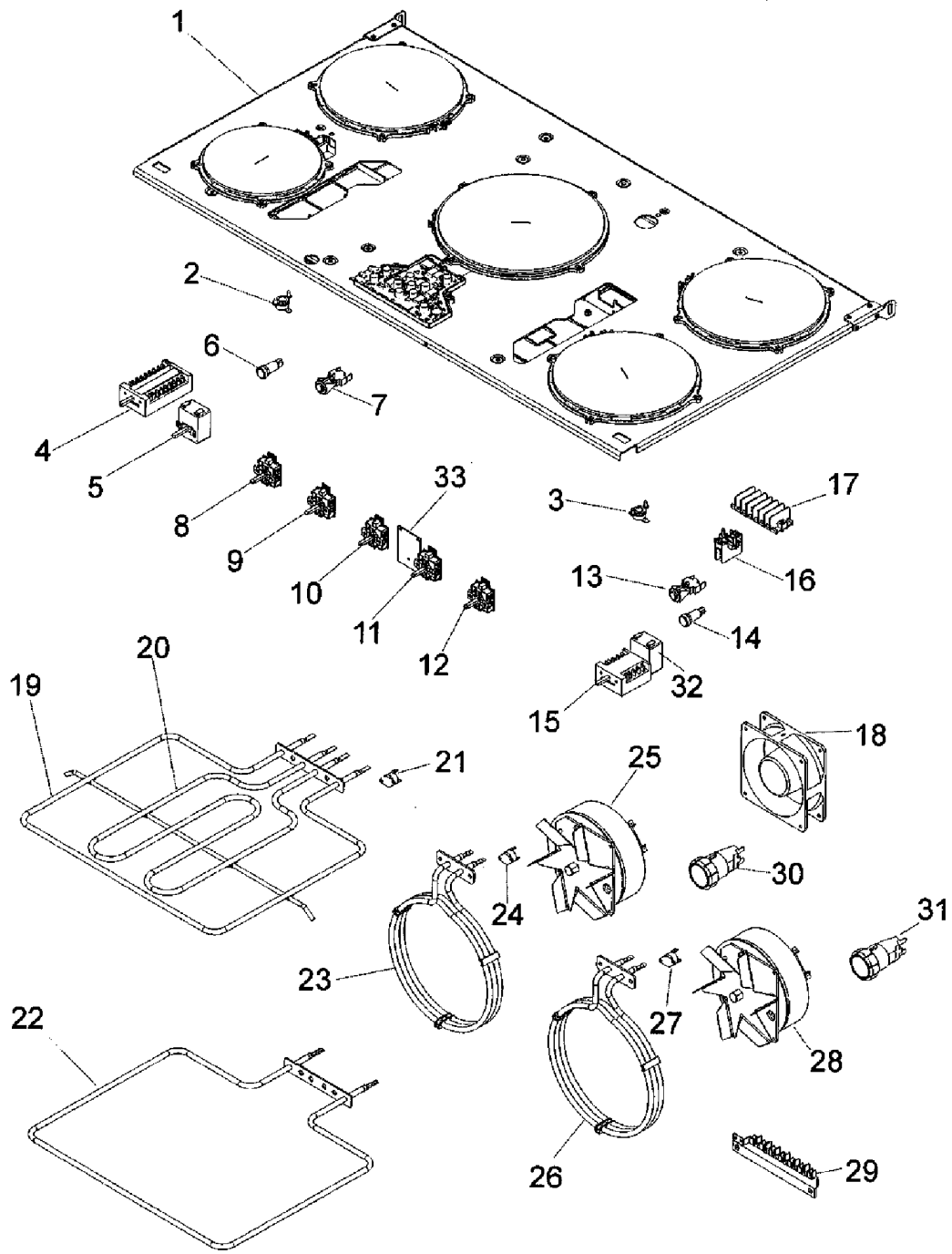
DSL0349 P05A
ISSUE STATUS 02





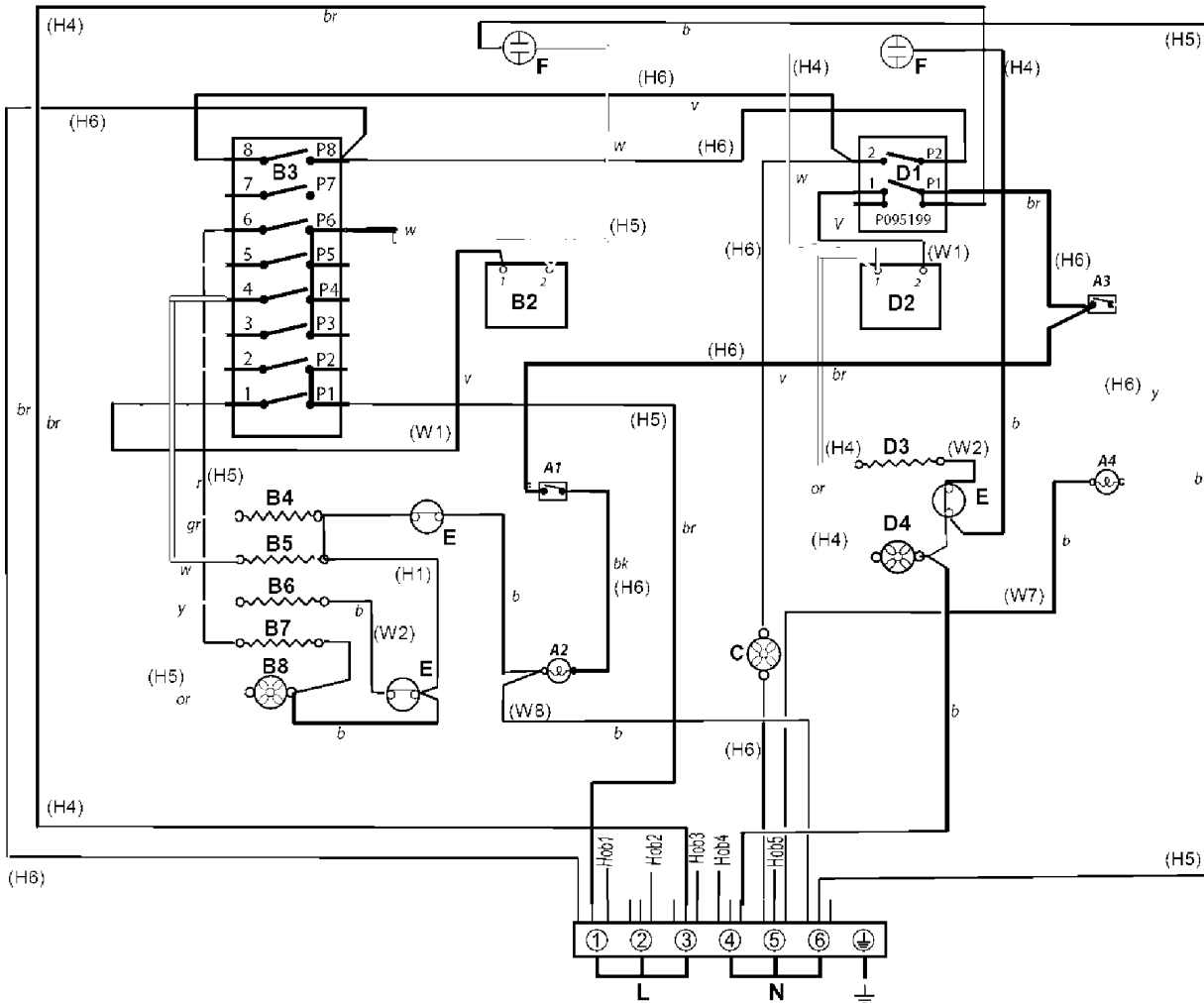


UP TO SERIAL NUMBER 157999



851	P042615	HARNESS - MF OVEN & LIGHT	1	29	4	7	25	23	20	19	22	6	30
852	P042616	HARNESS - FANNED OVEN	1	29	15	13	27	28	32	14			
853	P040924	CABLE - PCB TO ROTARY CONTROL	5	33	8	9	10	11	12				
854	P040925	CABLE - PCB TO TOUCH CONTROL	1	33	34								
855	P040044	WIRE ASSY SLOW COOKER / ELEMENT / NEUTRAL	1	29	30	31							
856	P037491	MF T/TSAT TO SWITCH LINK	1	4	5								
857	P037863	WIRE ASSEMBLY	2	27	28	23	24						
858	P094943	WIRE ASSEMBLY	2	32	29								
859	P037473	MULTI FUNCTION NEON / STAT / SWITCH	1	4	5	6							
860	P035499	LH OVEN ELEMENT LINK	1	21	22	19	20	24	25				
861	P040980	HARNESS - TERMINAL BLOCK / BULKHEAD	1	29	17								
862	P040981	HARNESS - INDUCTION UNIT / BULKHEAD	1	17	1								
863	P041103	HARNESS - THERMAL CUTOUT	1	4	3	2	16						
864	P042617	HARNESS - FAN CONTROL	1	29	18	16							
865	A042859	HARNESS - EARTH LH / RH BACKS	1	29	31	30	28	25	26	23	19	20	

FROM SERIAL NUMBER 158000



Ref No.	Part No.	Quantity	Remarks
(W1)	P033086-01	2	RH & LH Oven Switches to Thermostats.
(H1)	P033089-01	1	Multifunction Oven Neutral links
Ni	P033678-01	1	RH Stat Earth
(W2)	P040066-03	2	Oven LVD neutral links
(H4)	P040978-02	1	RH Oven Harness
Ni	P042859-01	1	Earth, Ovens & Fan
(W3)	P043936-01	2	PCB/Rotory Control
(W4)	P043937-01	2	PCB/Rotory Control
(W5)	P043939-01	1	PCB/Rotory Control
(W8)	P043965-01	1	Cutout/Light Neutral
(H3)	P051610-01	1	Top Connector/Induction
(W6)	P051766-01	1	PCB /K6
(W7)	P052092-01	1	RH light Neutral
(H2)	P052281-01	1	Induction Supply Harness
(H6)	P059550-01	1	Cooling & Light Harness
(H5)	P059644-01	1	LH Oven Harness

Code	Colour
b	Blue
br	Brown
bk	Black
or	Orange
r	Red
v	Violet
w	White
y	Yellow
gly	Green/Yellow
gr	Grey

Code	Component
A1	LH oven light switch
A2	LH oven light
A3	RH oven light switch
A4	RH oven light
B1	LH oven front switch
B2	LH oven t/stat
B3	LH M/F oven switch
B4	LH oven top element
B5	LH oven browning elem't
B6	LH fan element
B7	LH oven base element
B8	LH oven fan
C	Cooling fan
D1	RH oven front switch
D2	RH oven t/stat
D3	RH oven fan element
D4	RH oven fan
E	Thermal cut-out
F	Neons

FROM SERIAL NUMBER 158000

