

APPLIANCE NAME:
FALCON CONTINENTAL 110 CERAMIC

DSL0312 P00

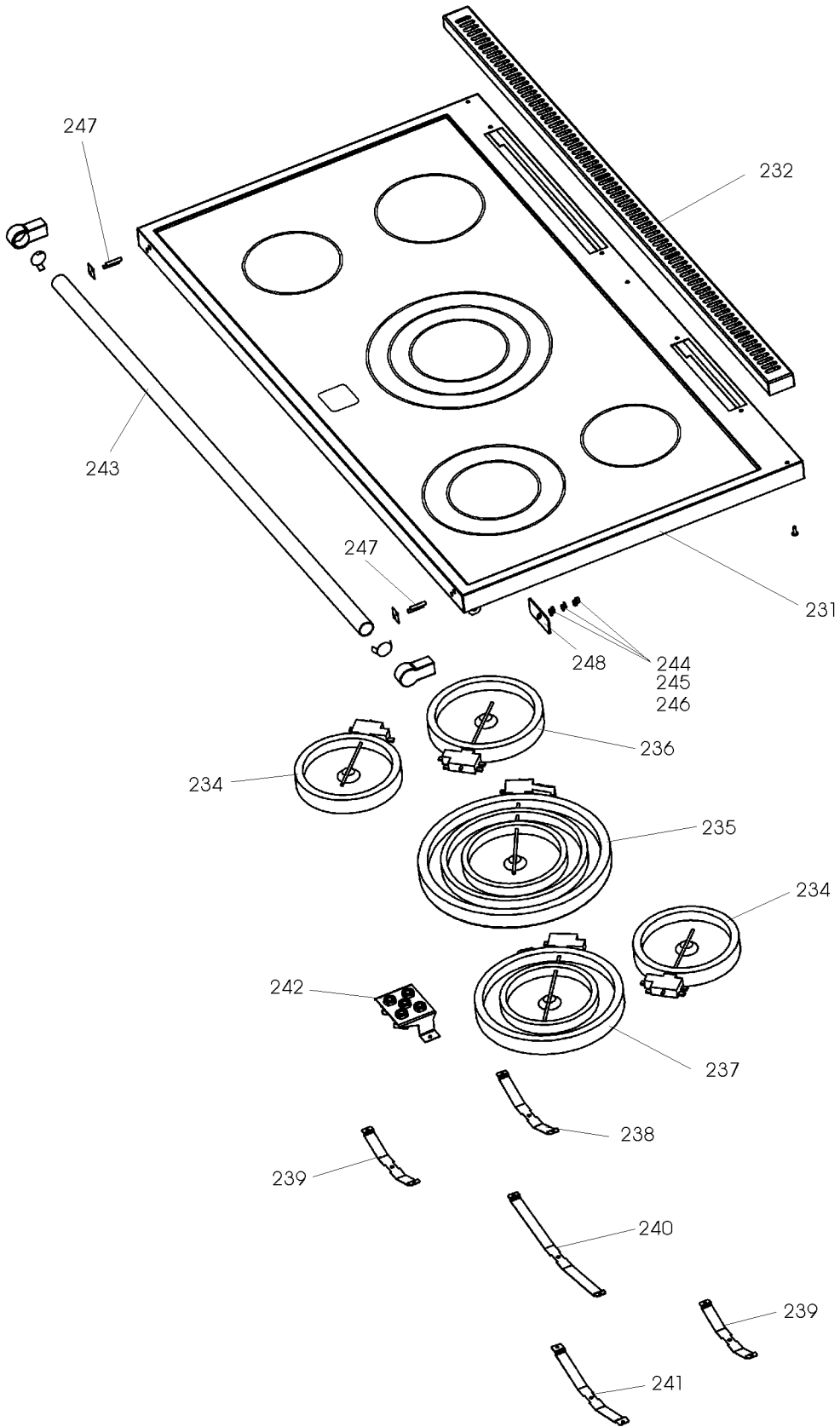
DATE 15.6.06 ISSUE STATUS 01

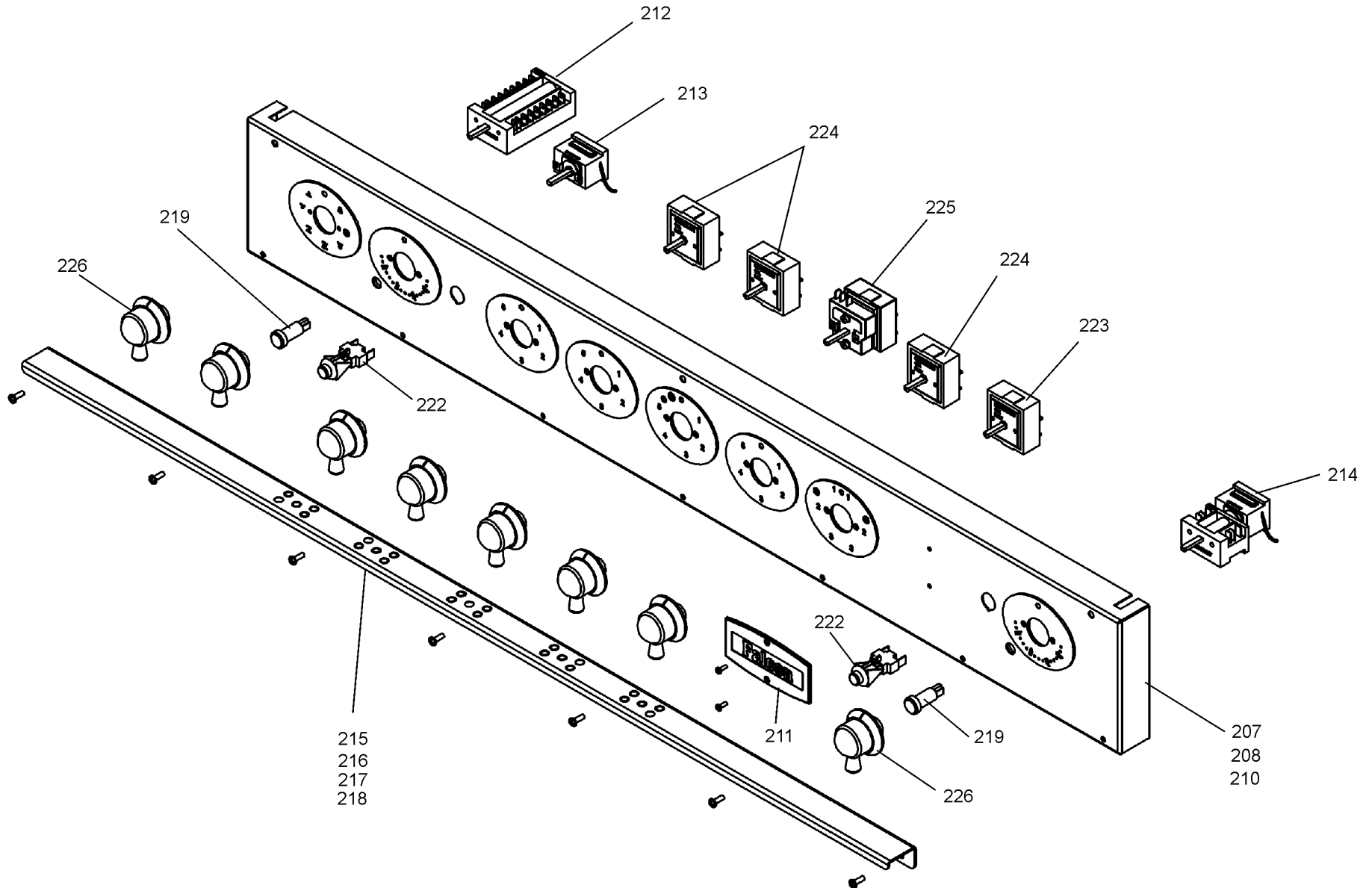


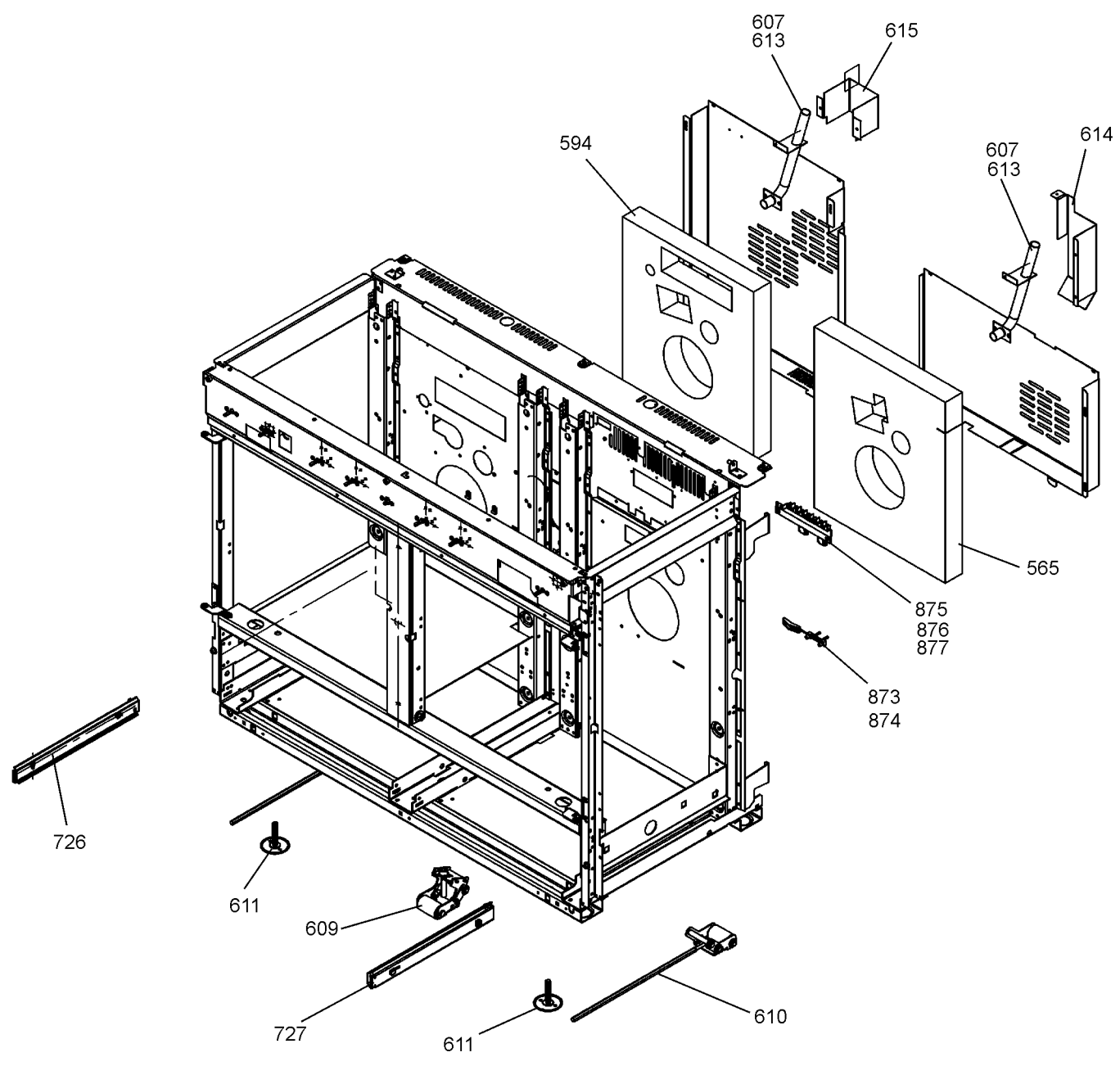
APPLIANCE NAME
FALCON CONTINENTAL 110
CERAMIC

DSL0312 P01

DATE 21.01.08 ISSUE STATUS 02





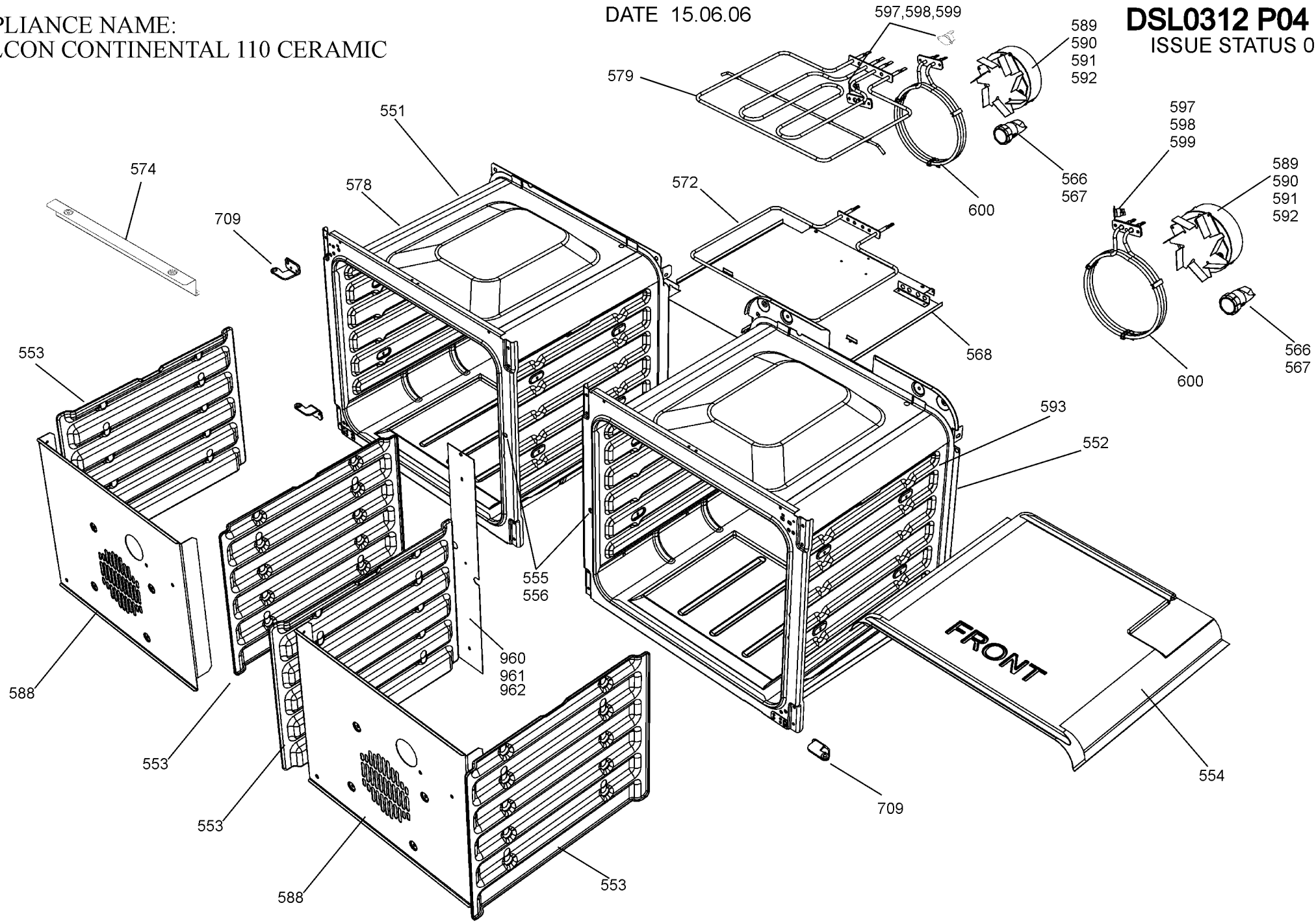


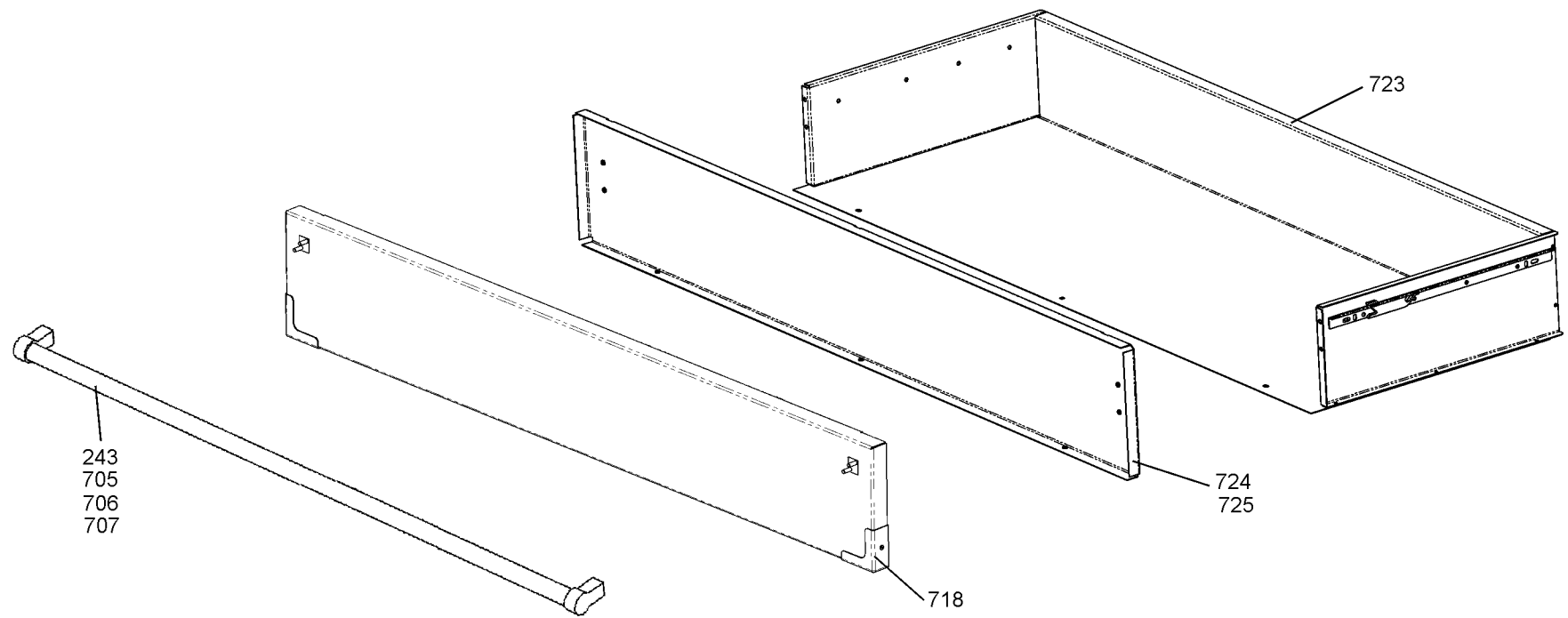
APPLIANCE NAME:
FALCON CONTINENTAL 110 CERAMIC

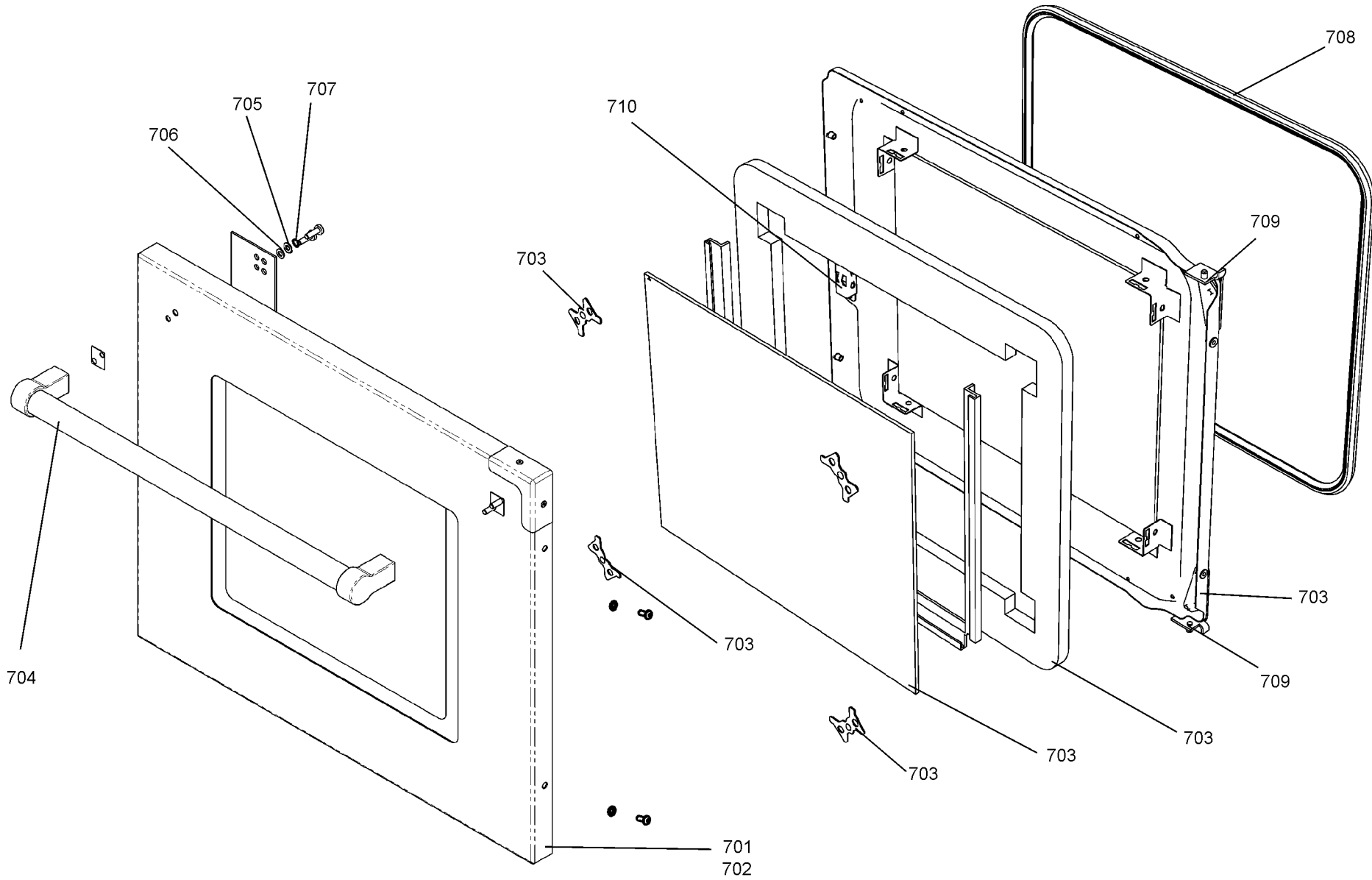
DATE 15.06.06

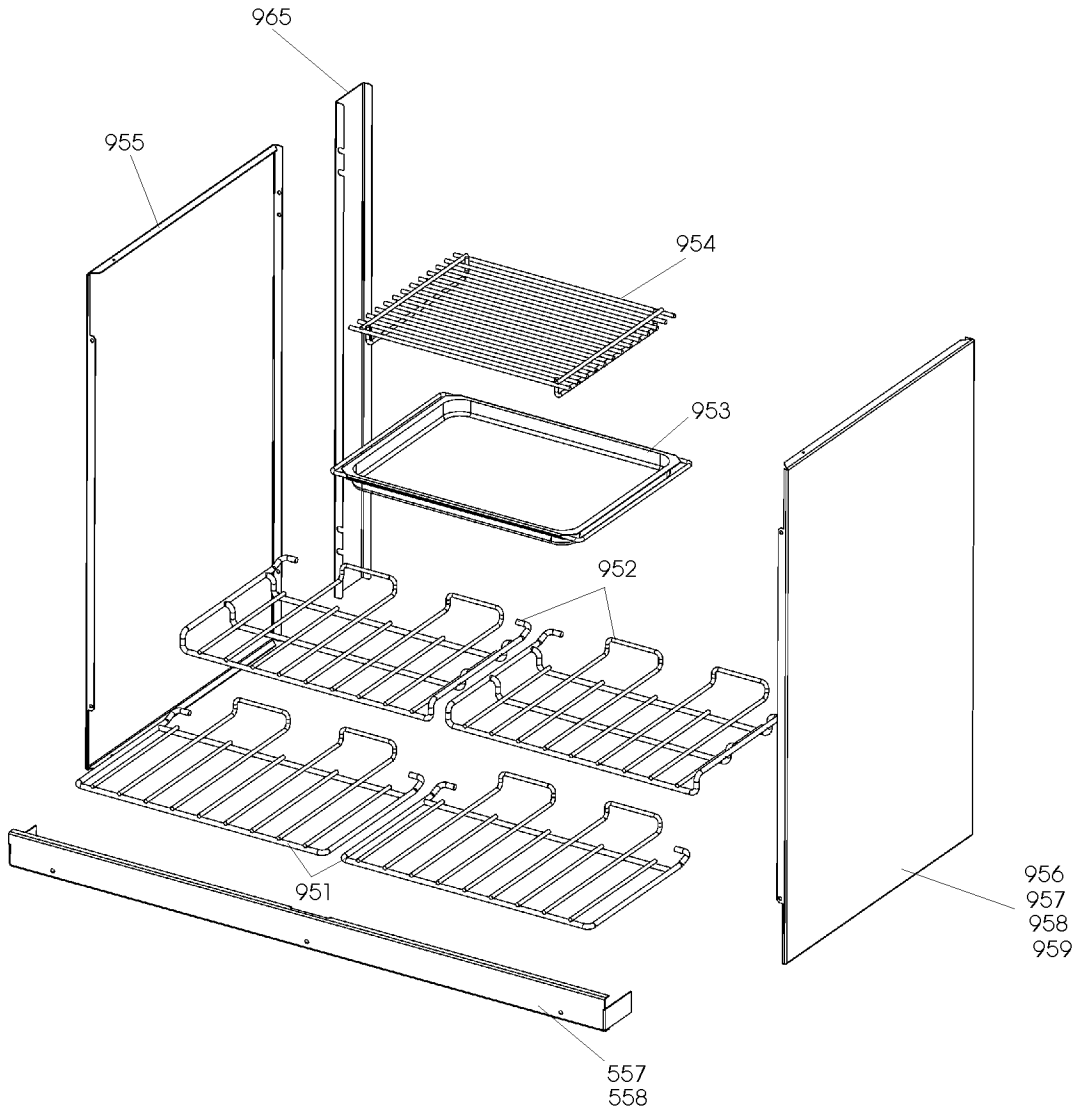
597,598,599

DSL0312 P04
ISSUE STATUS 01









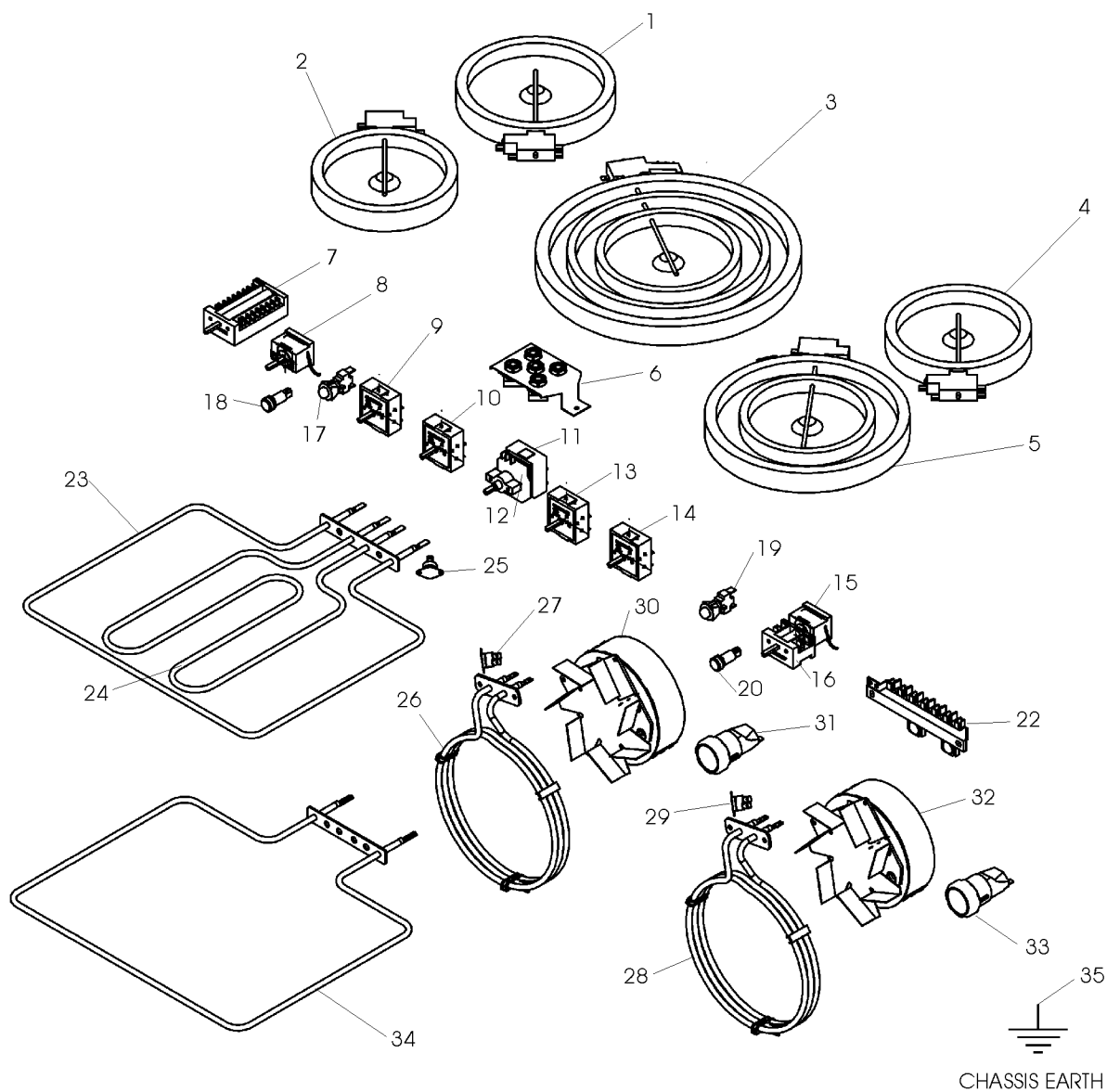
APPLIANCE NAME

FALCON CONTINENTAL 110

CERAMIC

DSL0312 P08

DATE 15.06.06 ISSUE STATUS 01



Ref	Harness	FALCON CONTINENTAL 110 CERAMIC	QTY	Connects Components													
854	A040078	HARNESS - MULTI FUNCTION OVEN	1	18	8	7	17	32	30	23	24	25	26	27	34	22	
855	A040077	HARNESS - FANNED OVEN	1	20	15	16	29	28	31	19	22						
856	P040044	WIRE ASSY OVEN ELEMENT/NEUTRAL	1	31	33	22											
857	P037491	MFT/TSAT TO SWITCH LINK	1	8	7												
858	P033305	EARTH LINKS FANNED OVEN BACK	1	22	32	33	28										
860	P033072	EARTH LINKS MULTI FUNCTION	1	30	31	22	26	23									
861	A094948	WIRE ASSEMBLY	2	27	26	29	28										
862	A094943	WIRE ASSEMBLY	2	15	35												
863	P038186	LINK (TRIPLE REG. / SWITCH)	1	11	12												
864	P038390	HARNESS - DUAL HOB SWITCH SUPPLY	1	14	5												
865	P038391	HARNESS - SINGLE HOB SWITCH SUPPLY	3	9	2	10	1	13	4								
866	P038192	HARNESS - TRIPLE HOB SWITCH SUPPLY	1	11	3												
867	P038193	HARNESS - TRIPLE EN.REG. SUP+NEUTRAL	1	22	11	22	6										
868	P038194	HARNESS - ENERGY REG. SUPPLY	1	22	09	22	10	22	13	22	14						
869	P038195	HARNESS - HOT HOB SWITCHED SUPPLY	1	9	10	11	13	14	1	2	3	4	5				
870	P037473	MULTI FUNCTION NEON / STAT / SWITCH	1	18	8	7											
871	P035499	LH OVEN ELEMENT LINK	1	25	34	23	24	26	30	31							