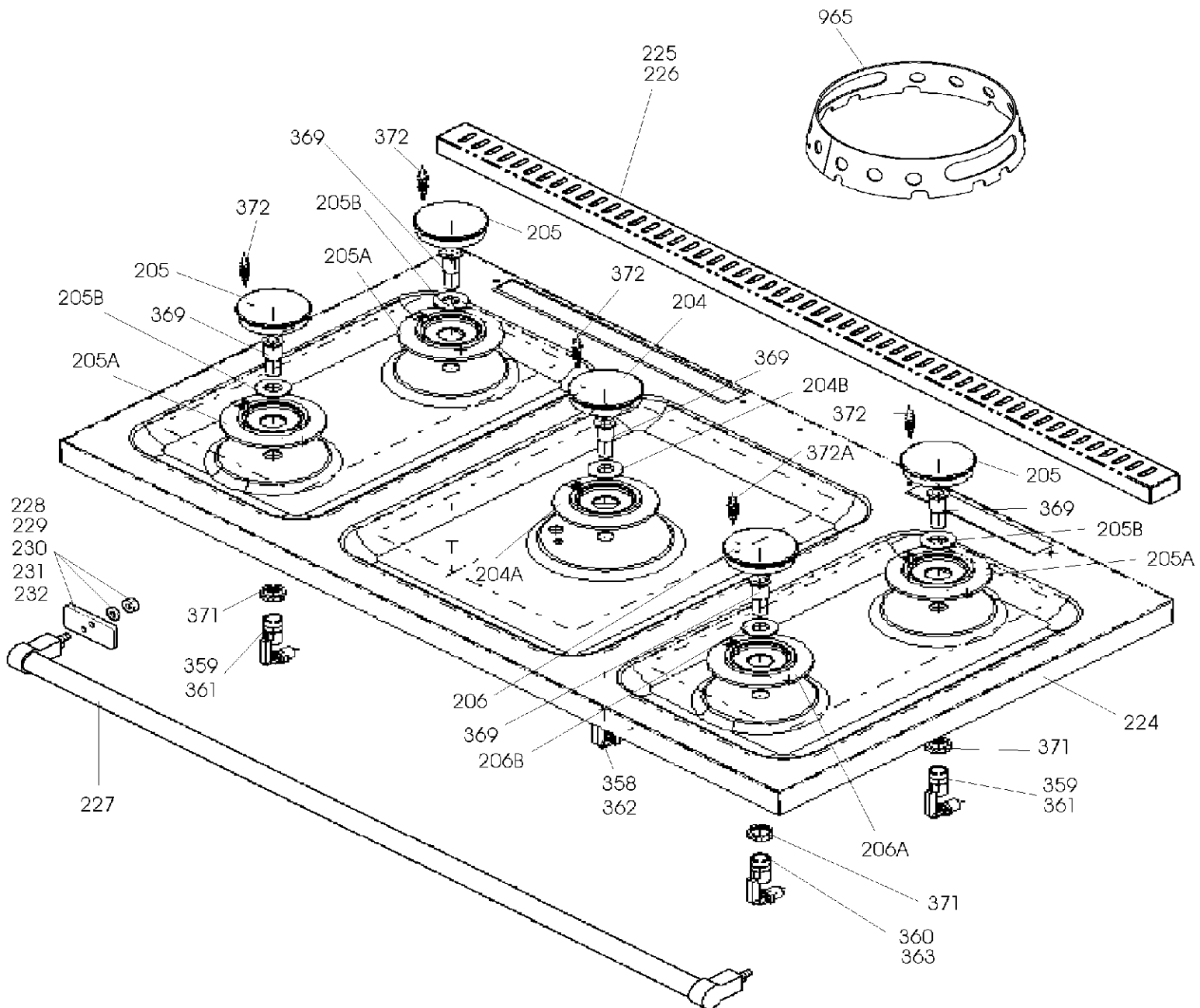
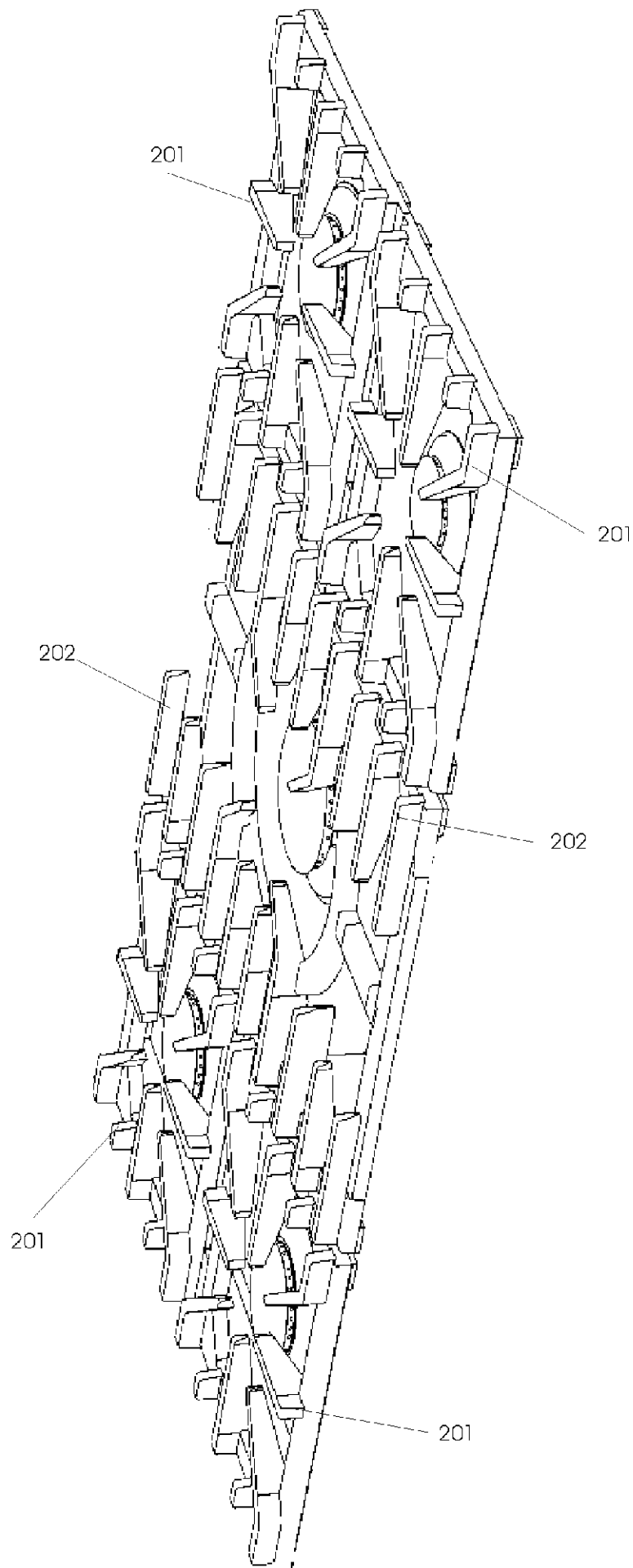


APPLIANCE NAME
FALCON 1092 CONTINENTAL EU

DSL0298 P00
DATE 10.03.06 ISSUE STATUS 01



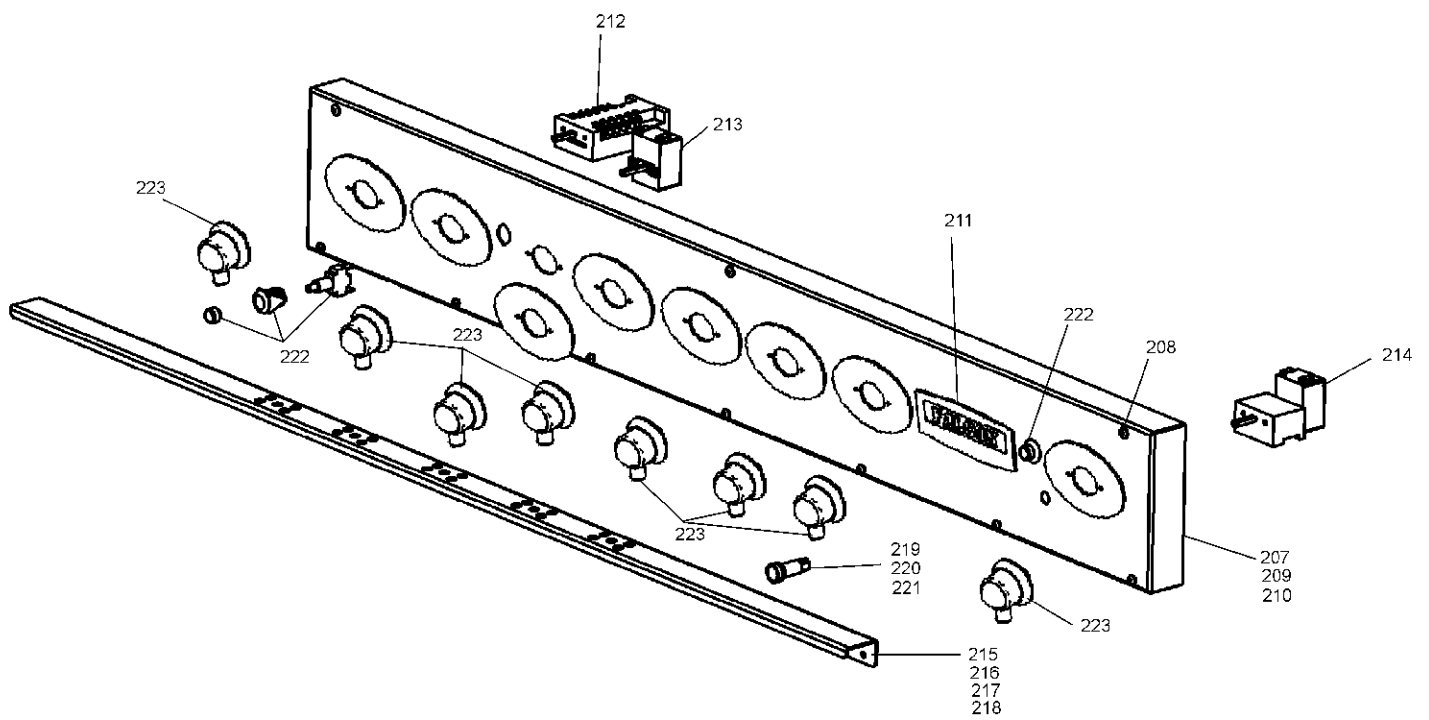




APPLIANCE NAME:
FALCON 1092 CONTINENTAL EU

DATE 10.03.06

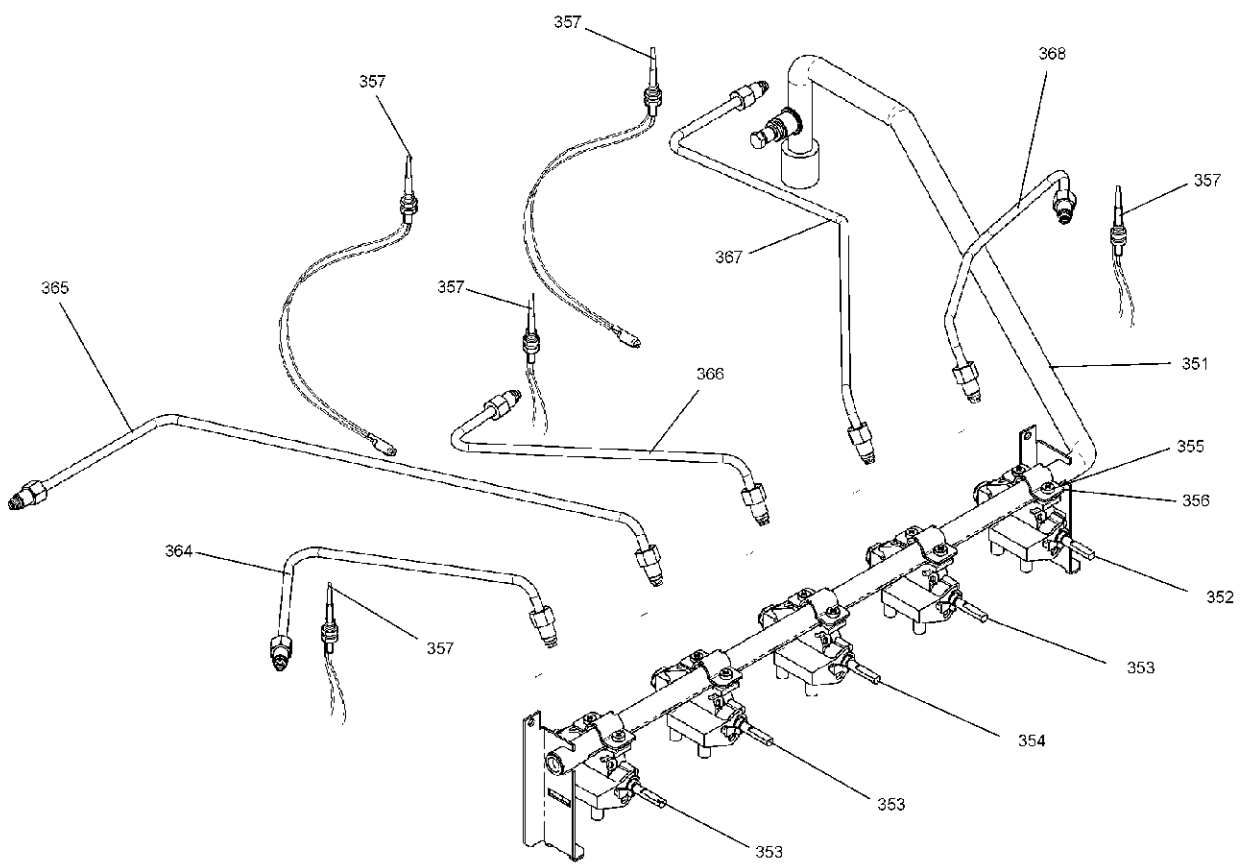
DSL0298 P03
ISSUE STATUS 01



APPLIANCE NAME:
FALCON 1092 CONTINENTAL EU DATE 13.03.06

ISSUE STATUS 01

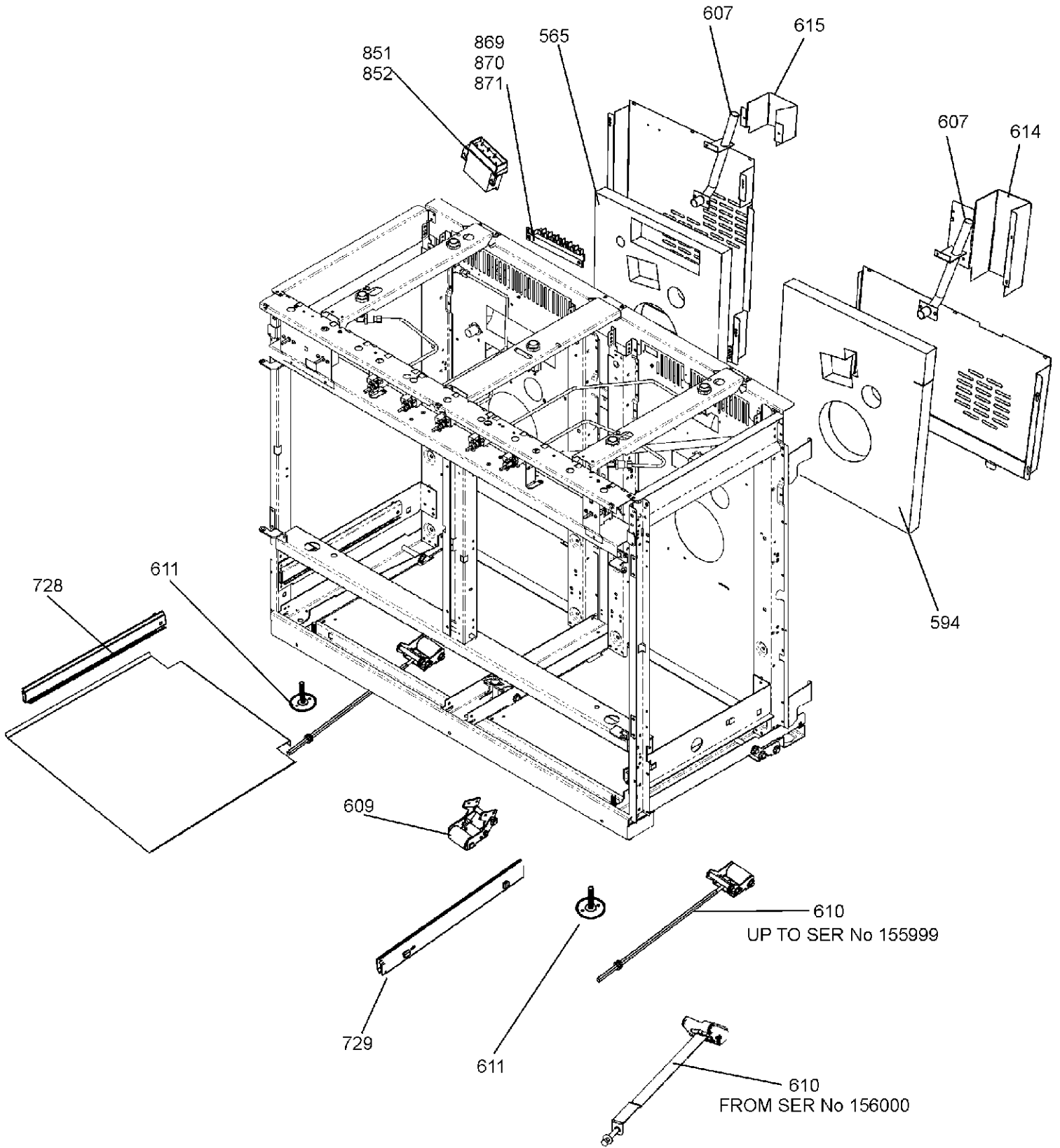
DSL0298 P04



APPLIANCE NAME:
FALCON 1092 CONTINENTAL EU
UP TO SERIAL NUMBER 157999

DATE 16.03.11

DSL0298 P05
ISSUE STATUS 02

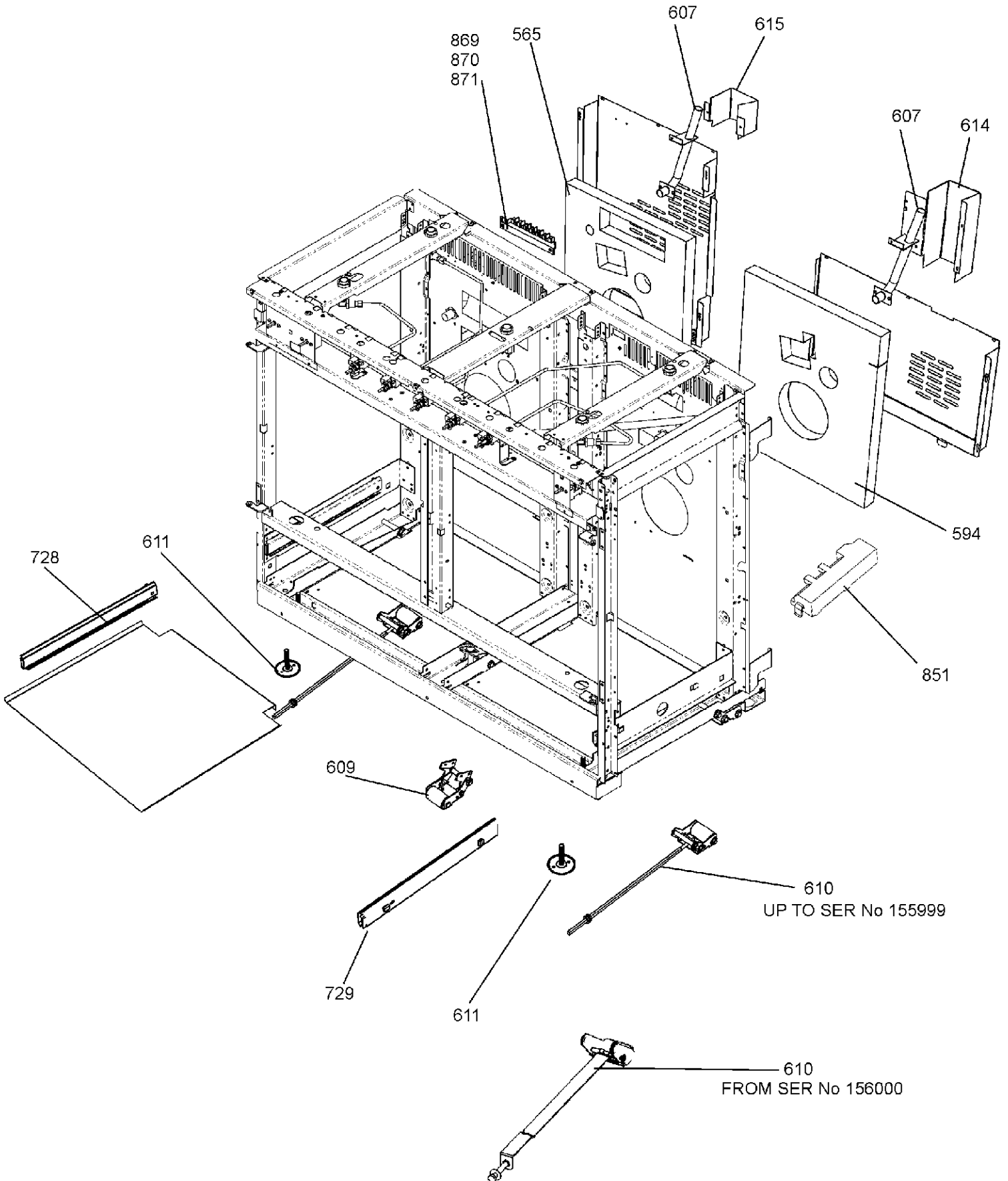


APPLIANCE NAME:
FALCON 1092 CONTINENTAL EU
FROM SERIAL NUMBER 158000

DATE 16.03.11

DSL0298 P05A

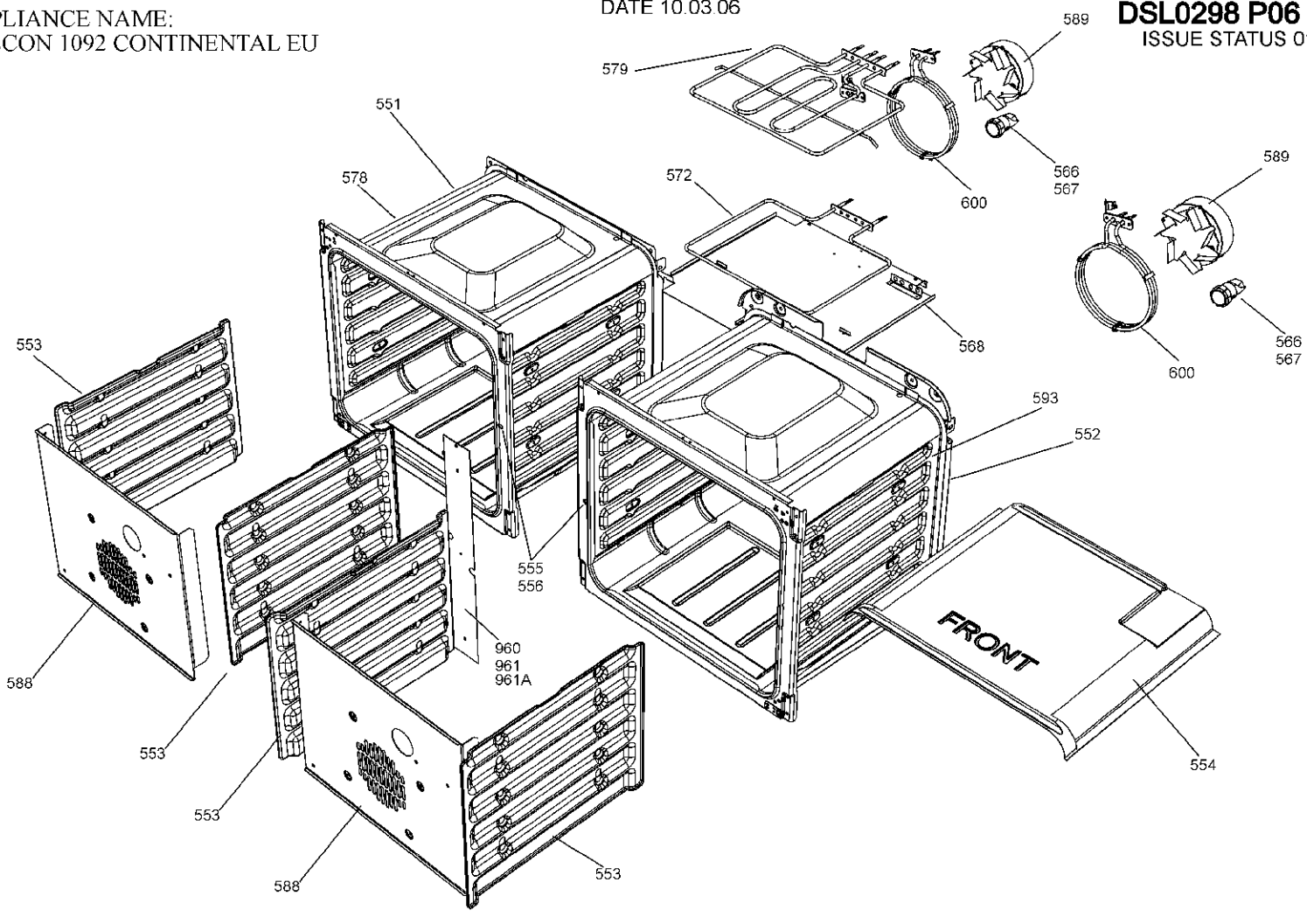
ISSUE STATUS 01



APPLIANCE NAME:
FALCON 1092 CONTINENTAL EU

DATE 10.03.06

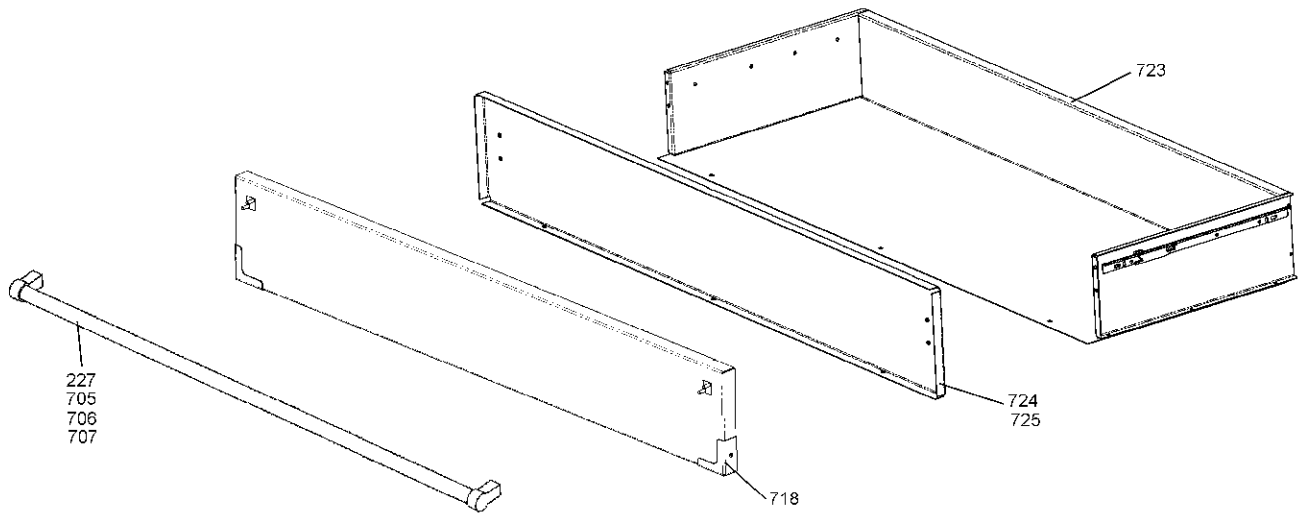
DSL0298 P06
ISSUE STATUS 01



APPLIANCE NAME:
FALCON 1092 CONTINENTAL EU
UP TO SERIAL NUMBER 151999

DATE 17.06.10

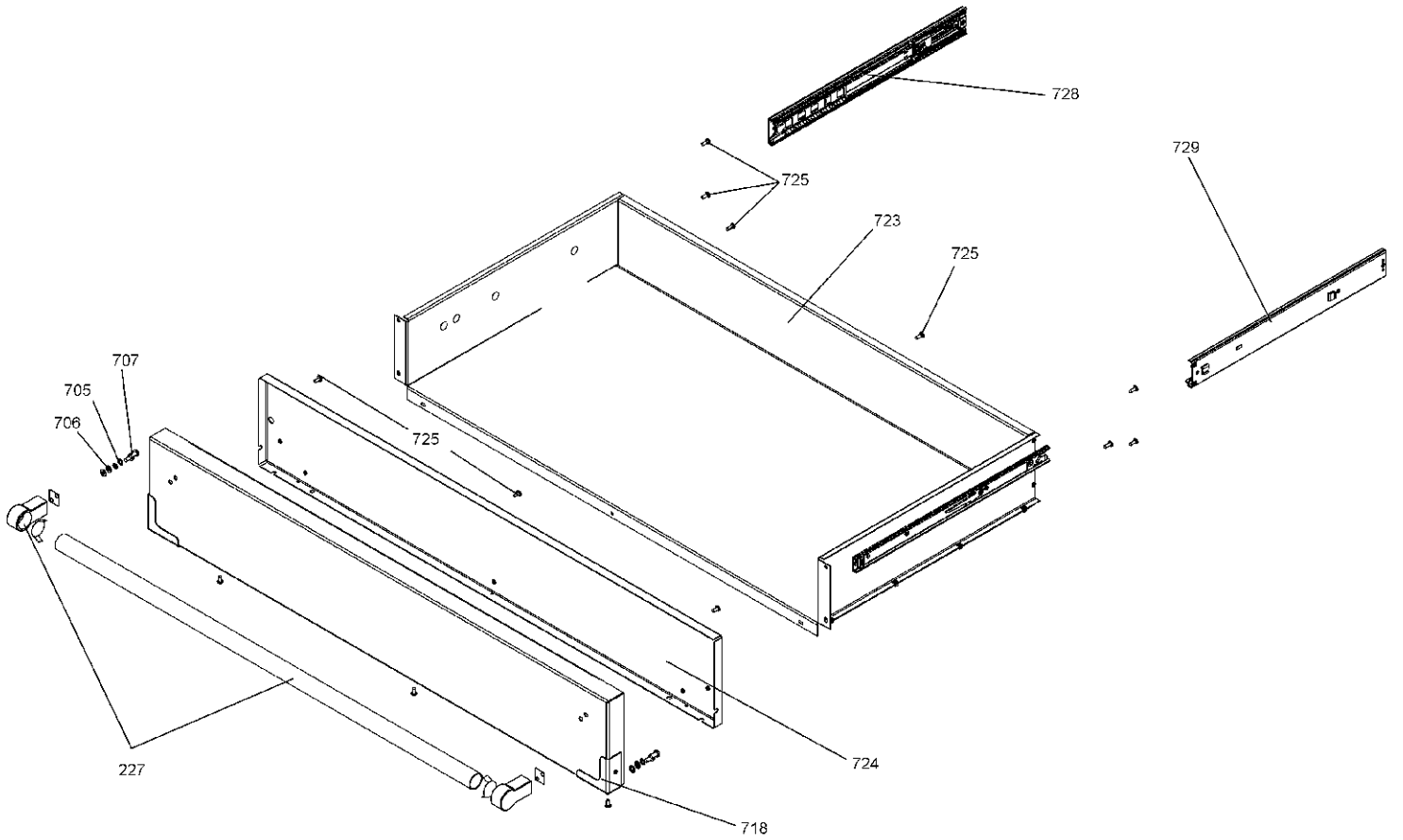
DSL0298 P07
ISSUE STATUS 02



APPLIANCE NAME:
FALCON 1092 CONTINENTAL EU
FROM SERIAL NUMBER 152000

DATE 17.06.10

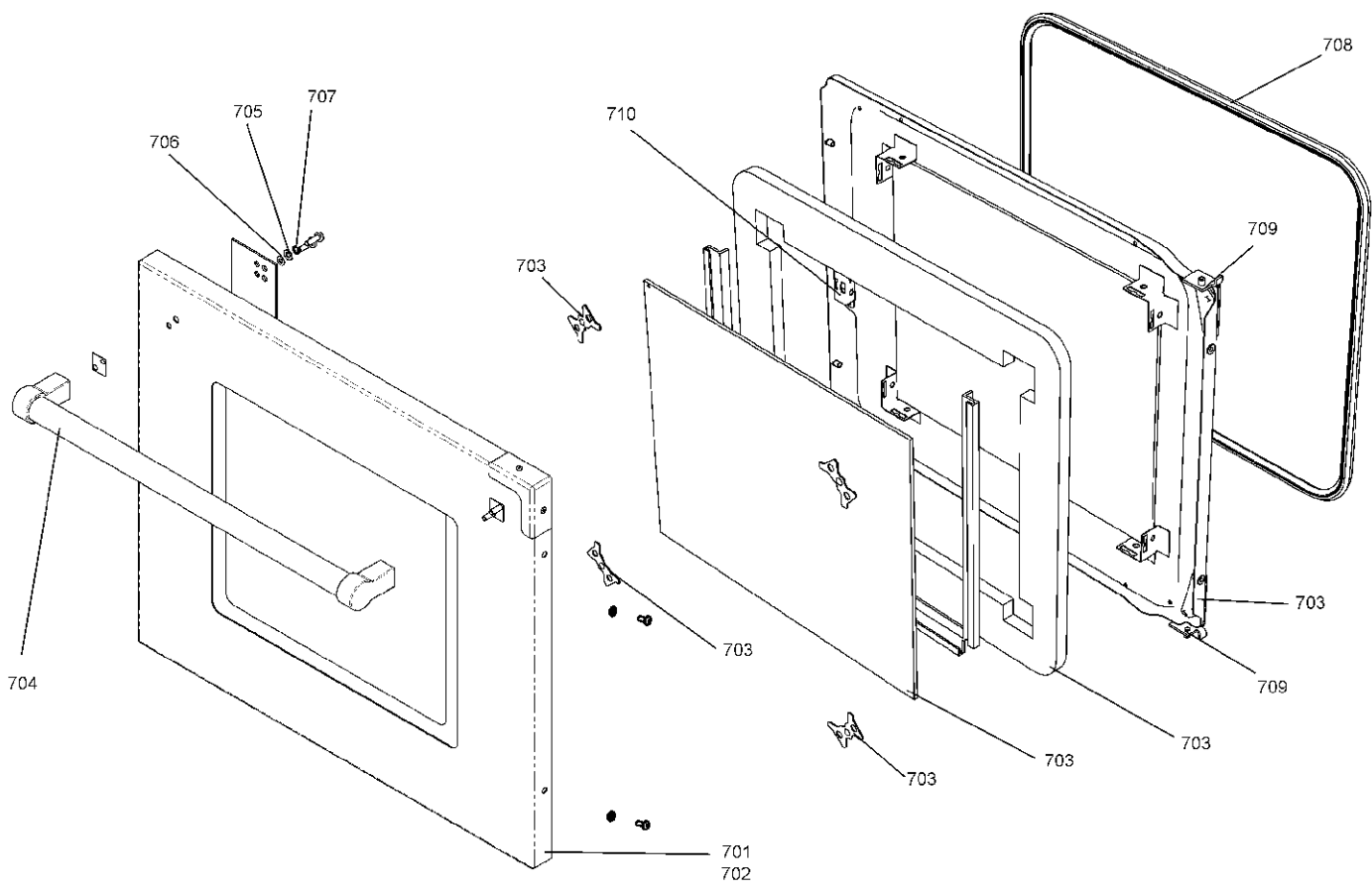
DSL0298 P07A
ISSUE STATUS 01

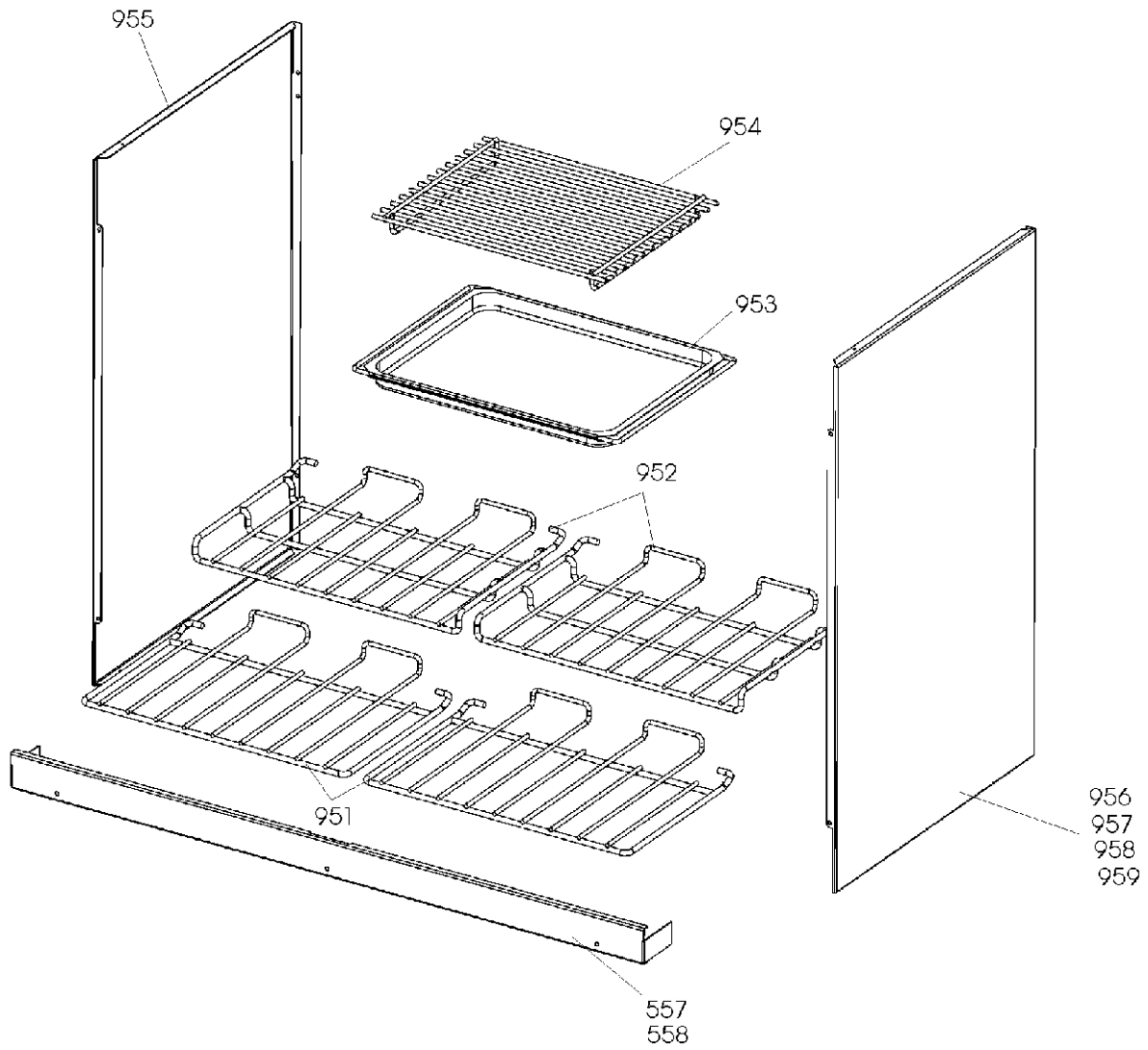


APPLIANCE NAME:
FALCON 1092 CONTINENTAL EU

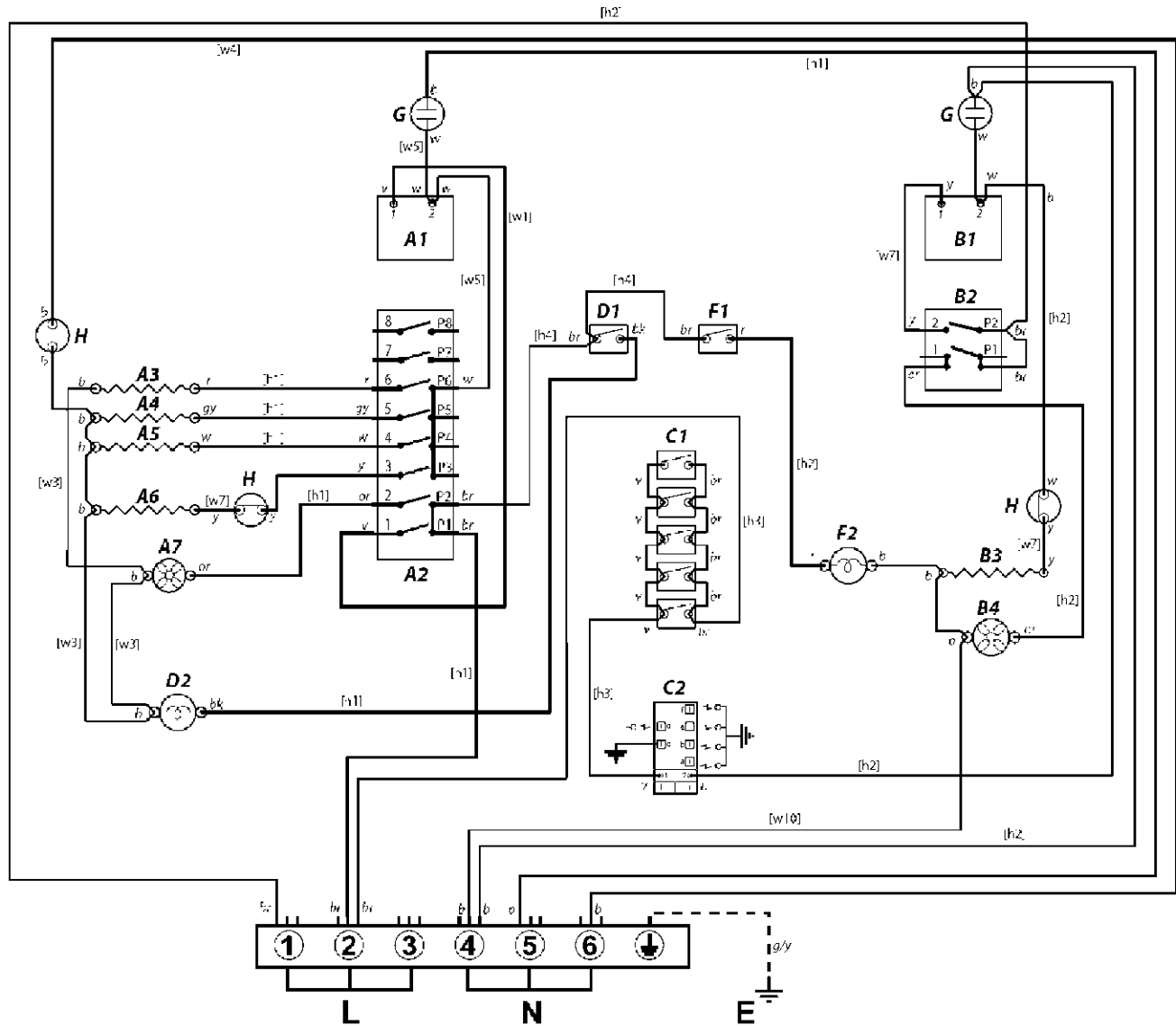
DATE 10.03.06

DSL0298 P08
ISSUE STATUS 01





FROM SERIAL NUMBER 158000



Key	Ref Number	Part number	Quantity	Remarks
873	F1	P328929	1	Harness Assembly - Multi function Control
874	F2	P350347	1	Harness Assembly - Fan oven Control
879	w1	P333086	1	Wire - Thermostat link
861	w2	P335450	1	Wire (NI) - Earth link oven
858	w3	P328792	1	Wire - Multi-function oven neutral link
876	w4	P333073	1	Wire - Blue wire to cut-out Multi-function oven
880	w5	P335585	1	Wire - Multi-function oven switch / stat / neon
857	w6	P333072	1	Wire - Earth links Multi-function
878	w7	P337863	5	Wire - Cut-out element
877	w8	P334943	1	Wire (NI) - RH oven thermostat earth
854	w9	P349241	1	Wire - Spark gap earth / ignition earth
855	w10	P335885	1	Wire - Neutral link back
865	F3	P349254	1	Wire - Ignition
875	F4	P336933	1	Harness Assembly - Live feed multi-function
856	F5	P349286	1	Harness Assembly (NI) - Gas ignition wiring harness

NI - Not Illustrated

w - Single Cable / Single Cable with multiple terminations

h - Harness Assembly (including Single Wires that are Sheathed)

Code	Description
A1	MF oven thermostat
A2	MF oven switch block
A3	MF oven bottom element
A4	MF oven top outer element
A5	MF oven top inner element
A6	MF oven fan element
A7	MF oven fan motor
B1	Fan oven thermostat
B2	Fan oven switch block
B3	Fan oven element
B4	Fan oven fan motor

Code	Description
C1	Ignition switches
C2	Ignition spark module
D1	MF oven light switch
D2	MF oven light bulb
F1	Fan oven light switch
F2	Fan oven light bulb
G	Neon
H	Thermal cut-out

Code	Colour
b	Blue
br	Brown
bk	Black
or	Orange
rec	Red
v	Violet
w	White
y	Yellow
gr	Grey