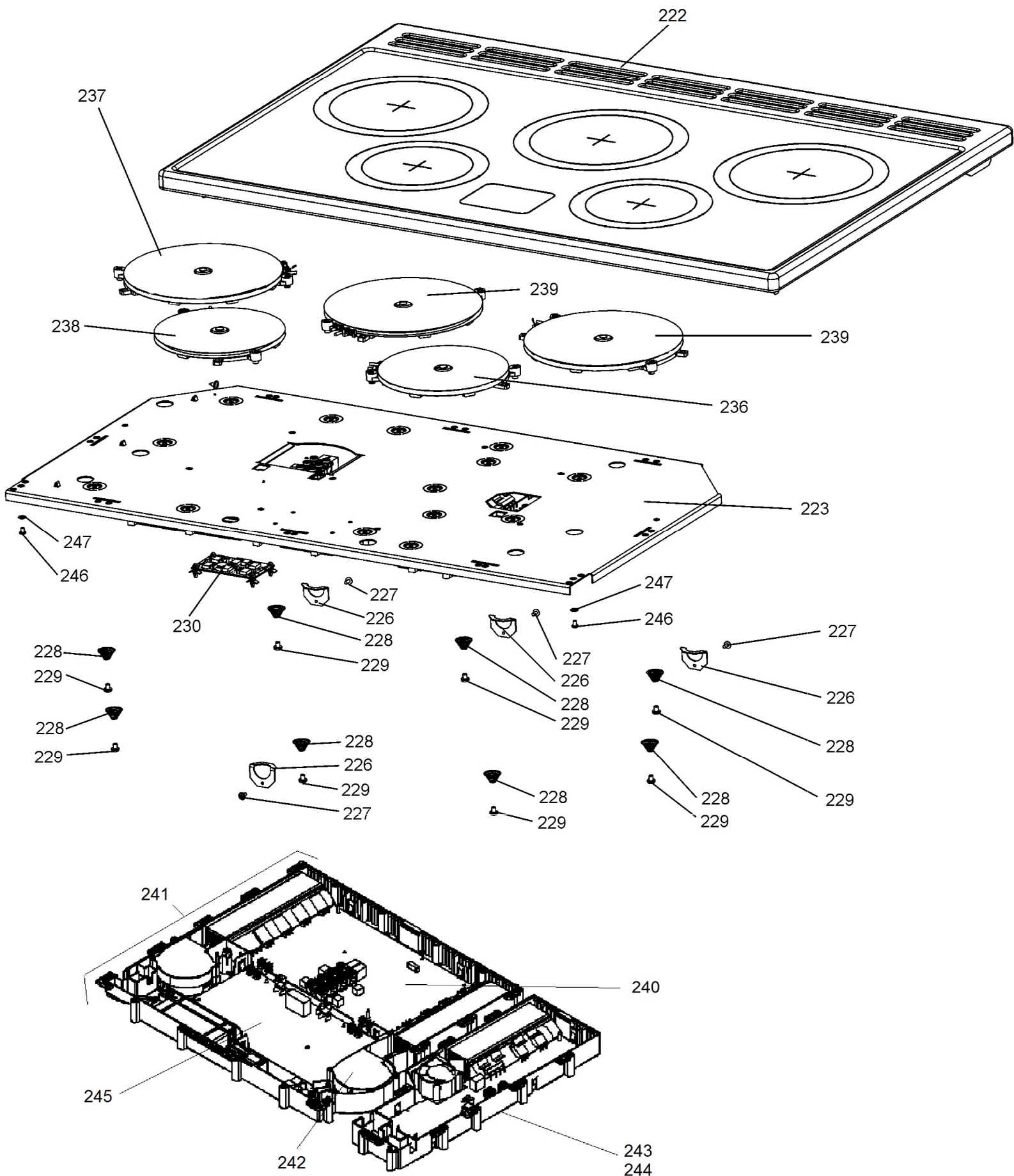


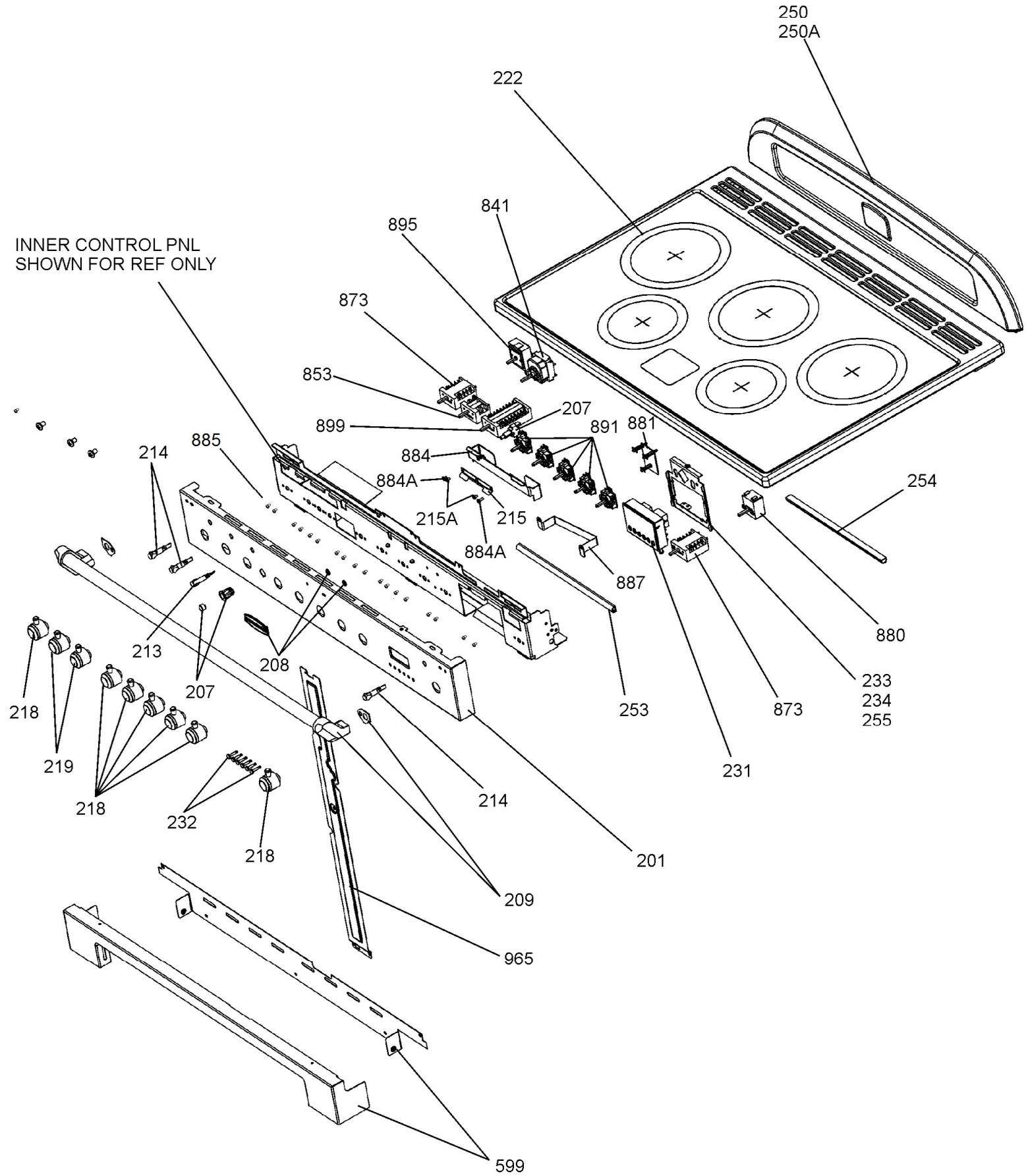
APPLIANCE NAME:  
CLASSIC DL 90  
INDUCTION  
FROM SERIAL NUMBER 158000

DATE 02.07.15

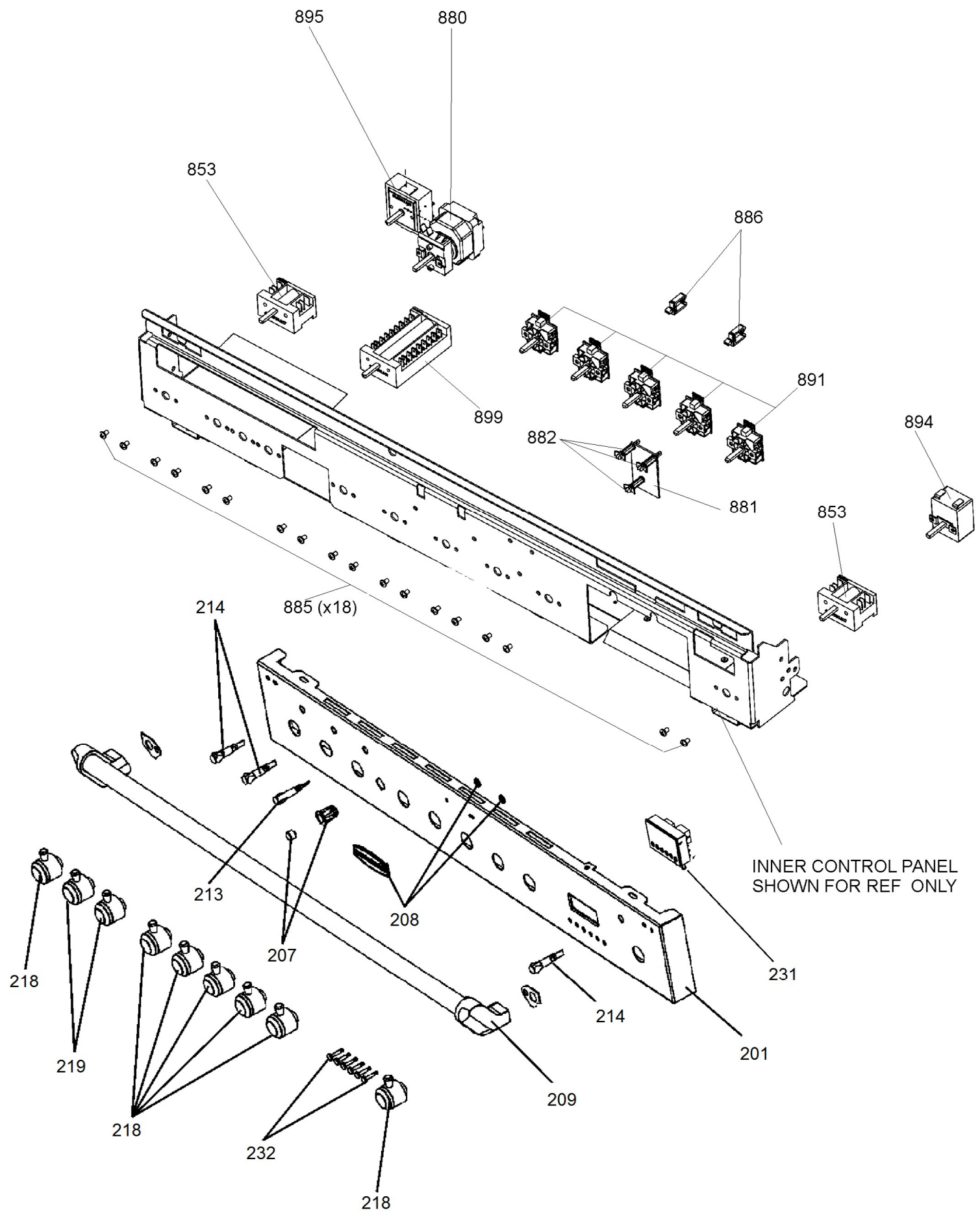
DSL0409 P01A  
ISSUE STATUS 02



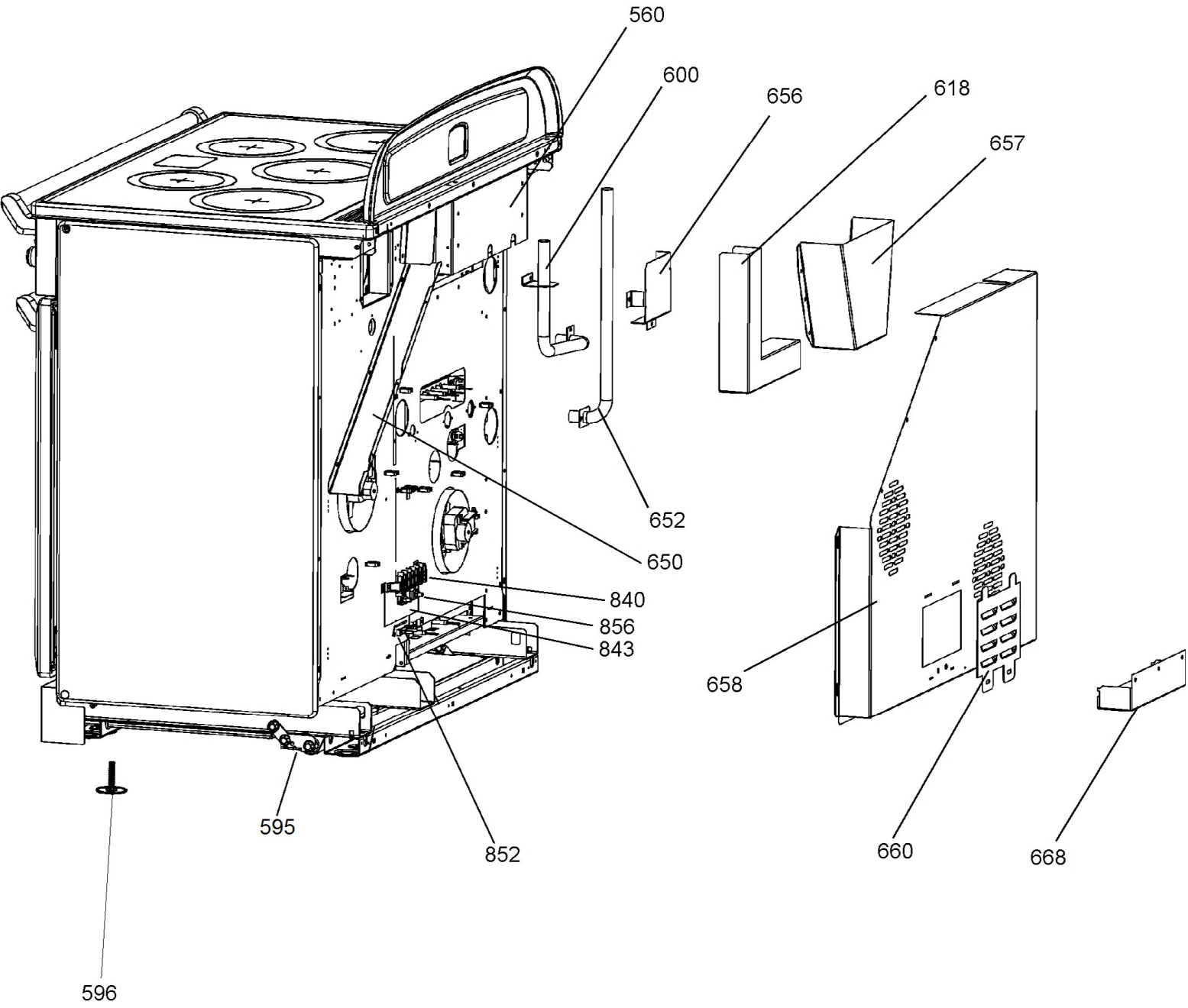
UP TO SERIAL NUMBER 157999

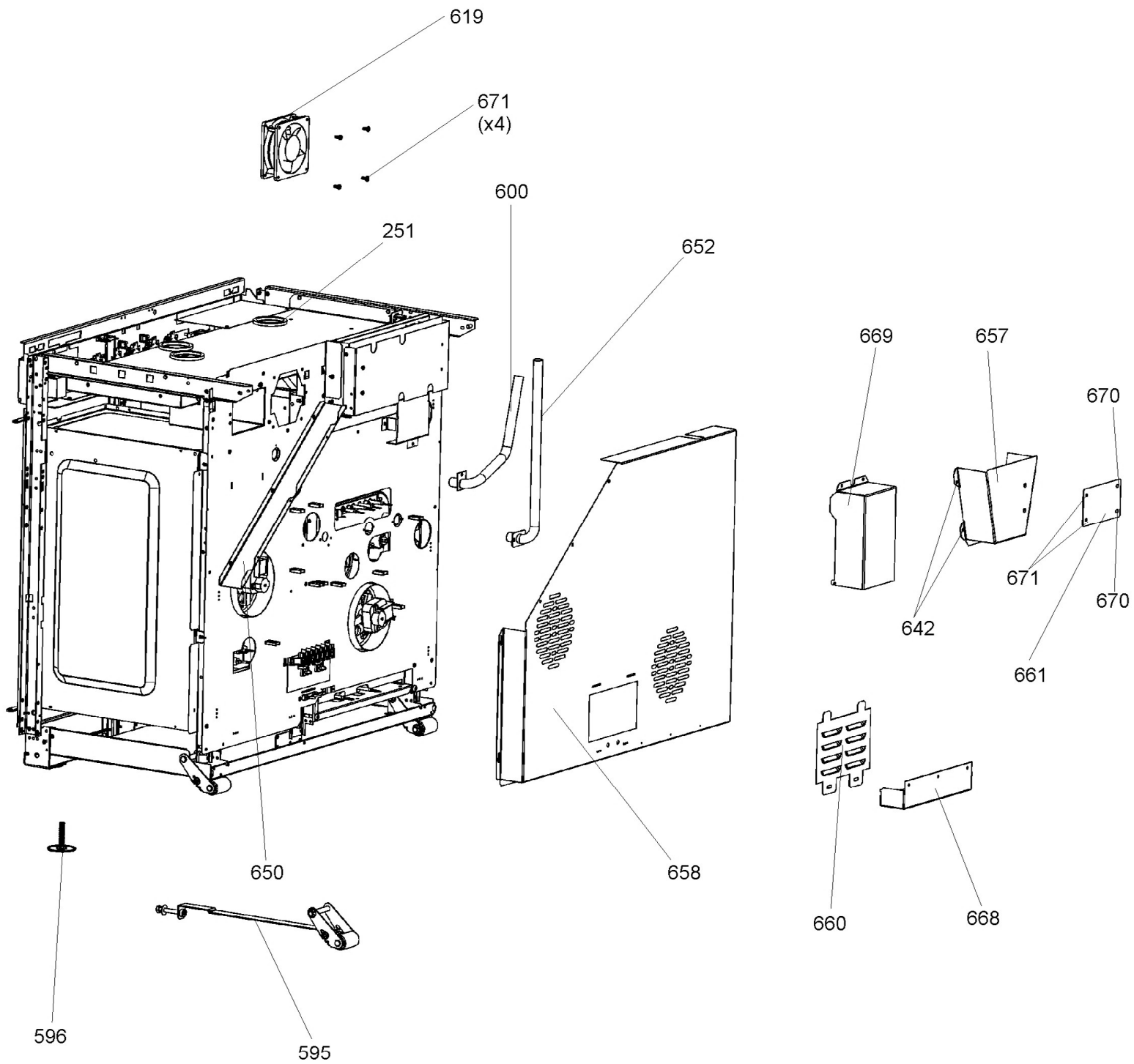


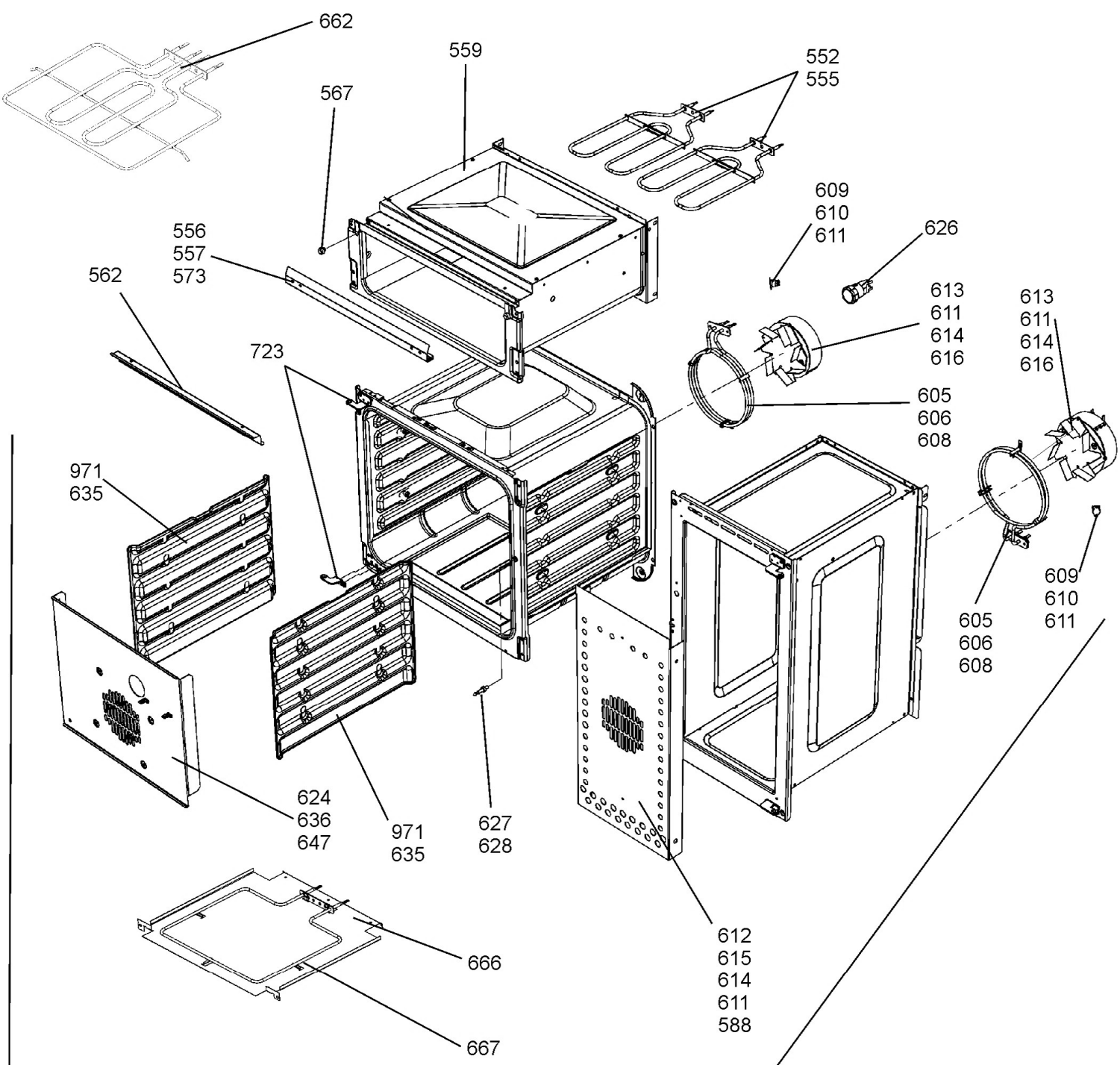




UP TO SERIAL NUMBER 157999

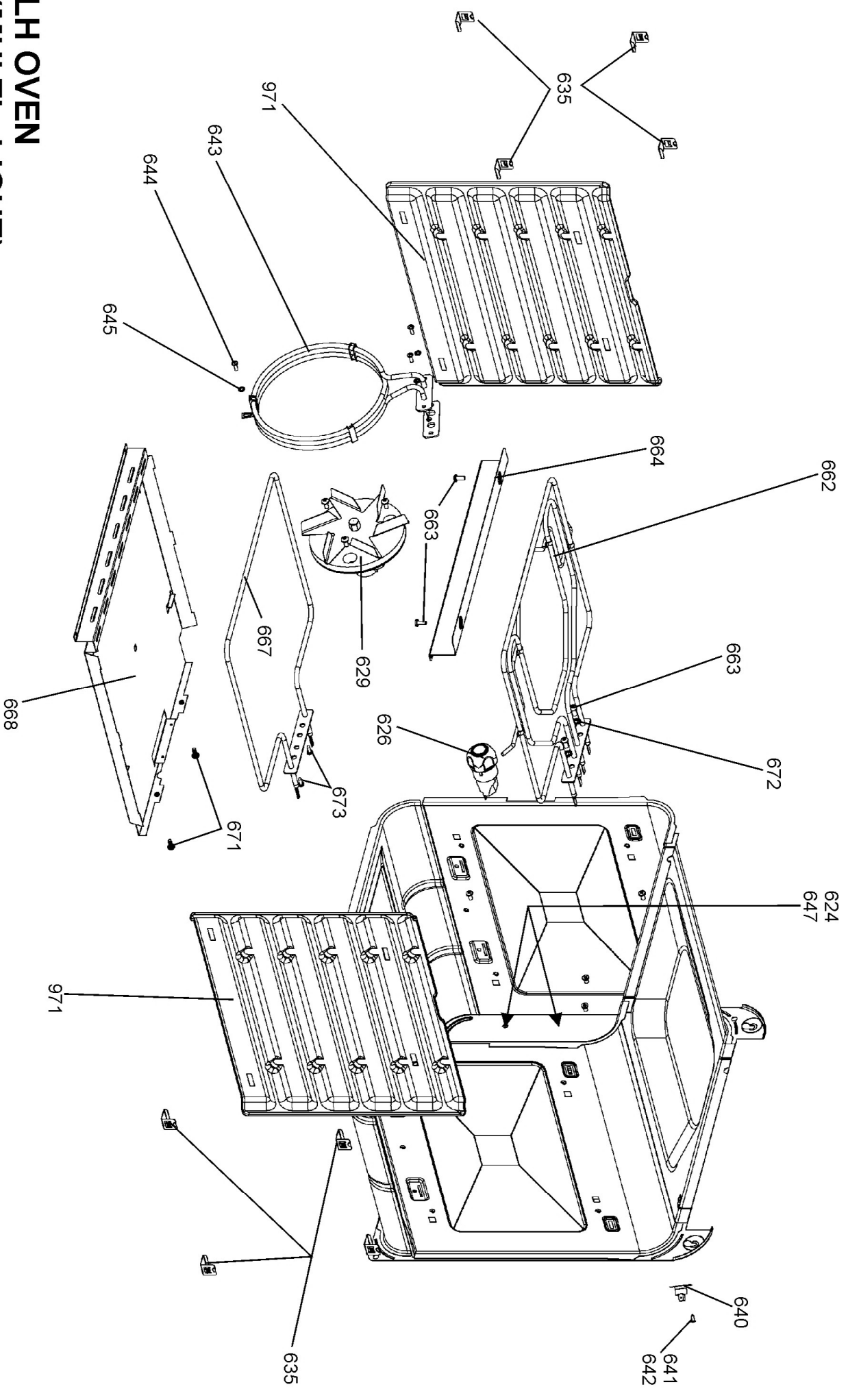






**OVENS UP TO SERIAL NUMBER 168999**

FROM SERIAL NUMBER 169000  
UP TO SERIAL NUMBER 181999



**LH OVEN  
(MULTI - LIGHT)**

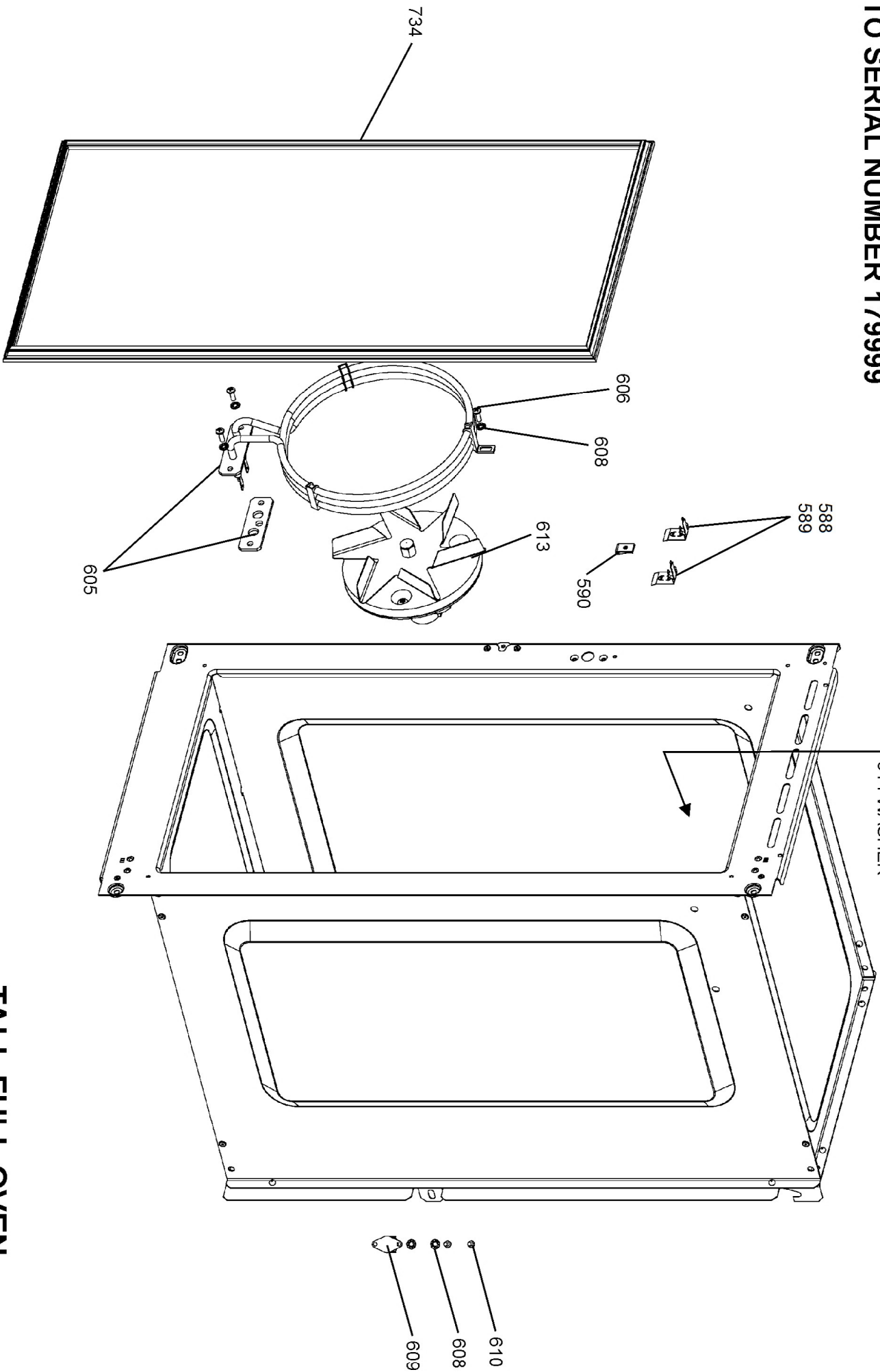


# CLASSIC DL 90 INDUCTION

DATE 04.11.14 ISSUE STATUS 01

# DSL0409 P04B

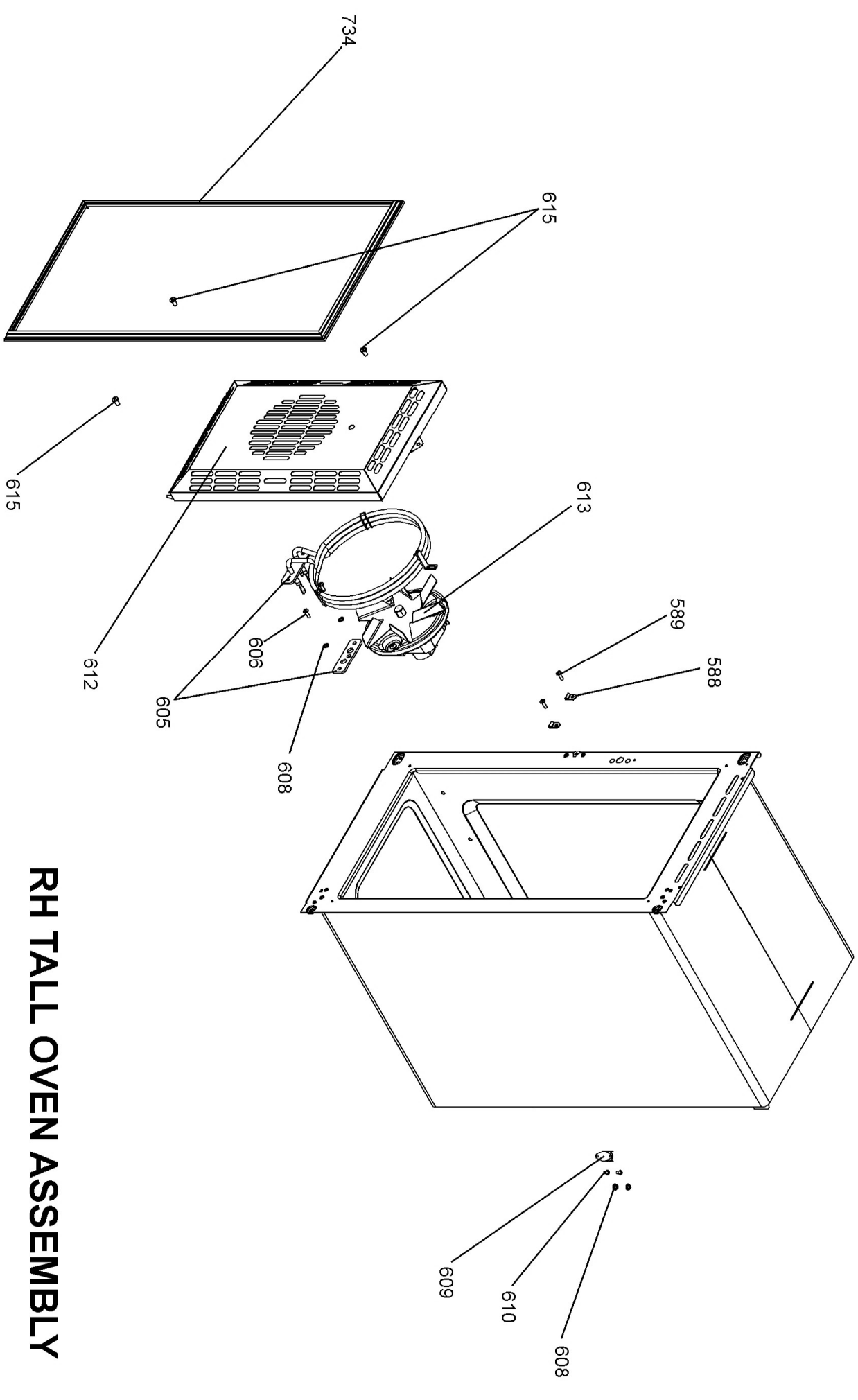
FROM SERIAL NUMBER 169000  
UP TO SERIAL NUMBER 179999



## TALL FULL OVEN

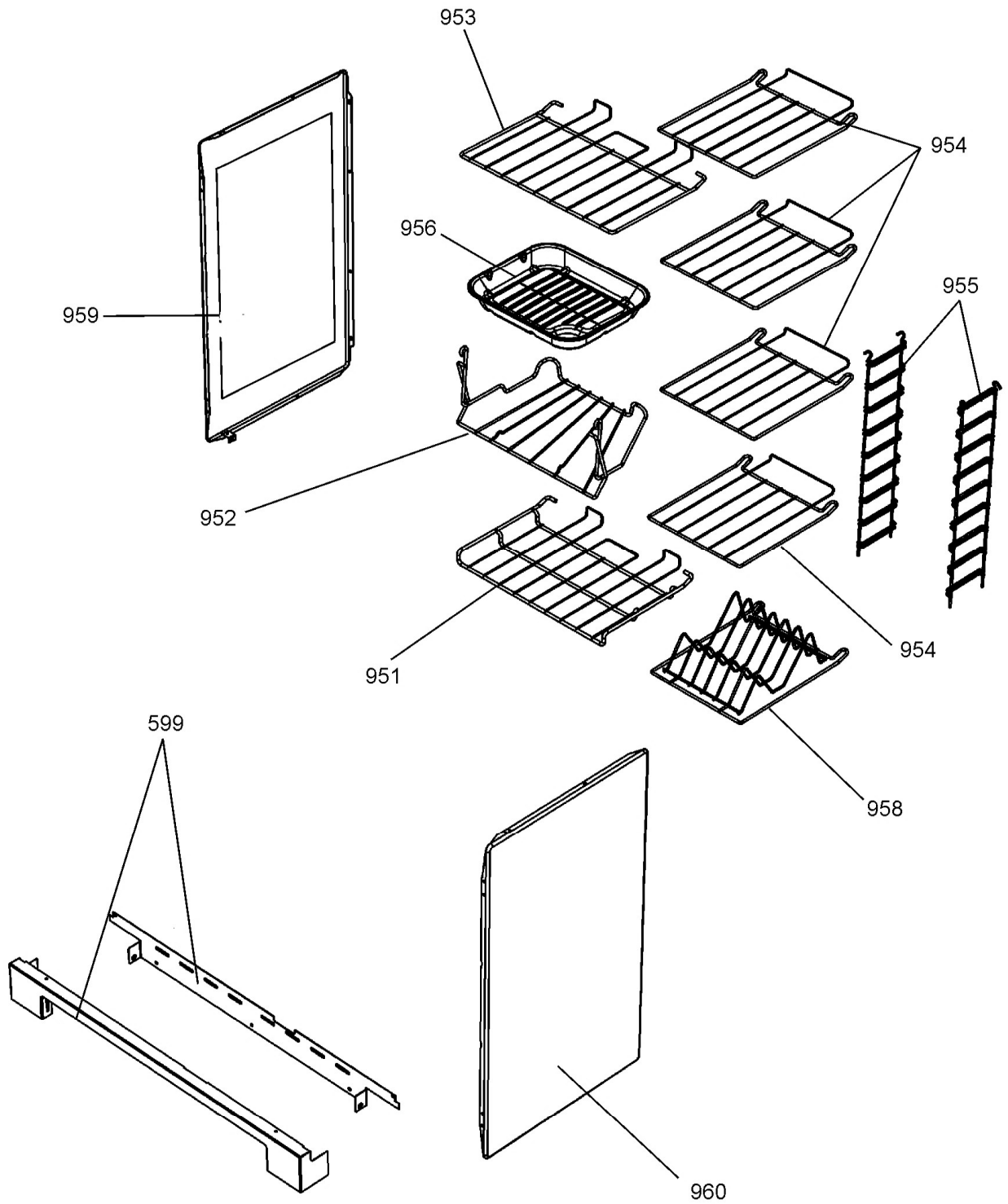


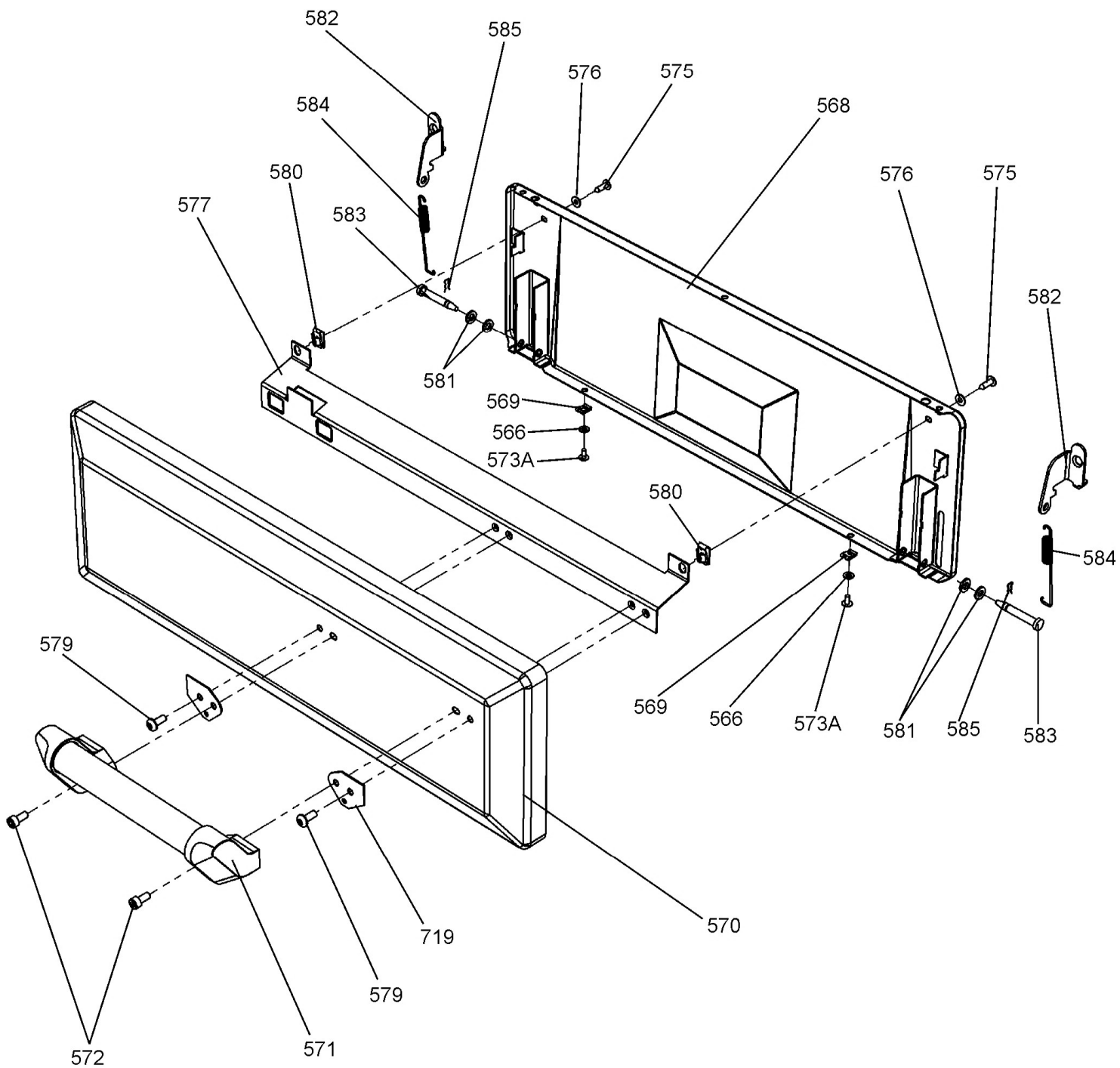
FROM SERIAL NUMBER 180000

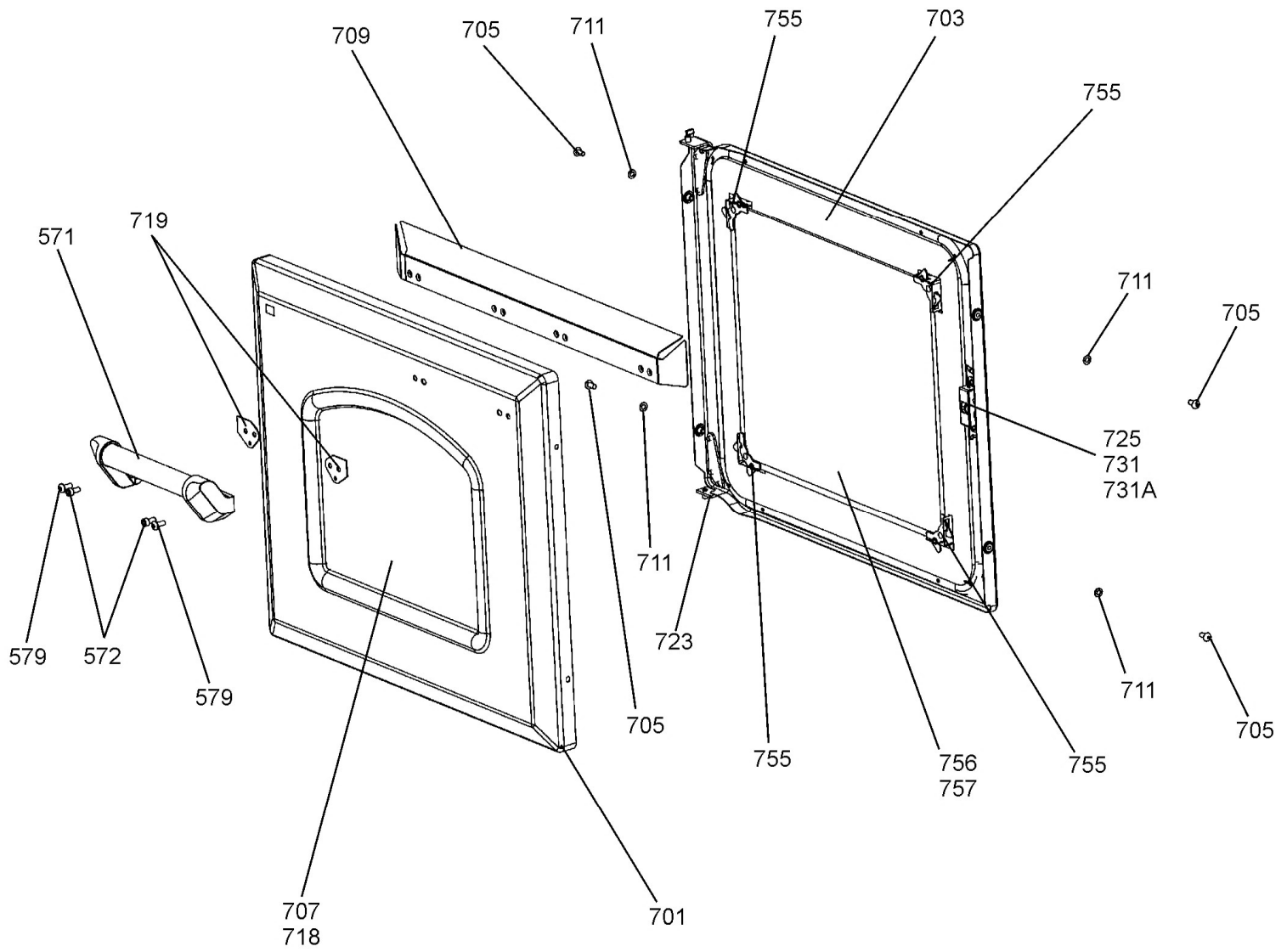


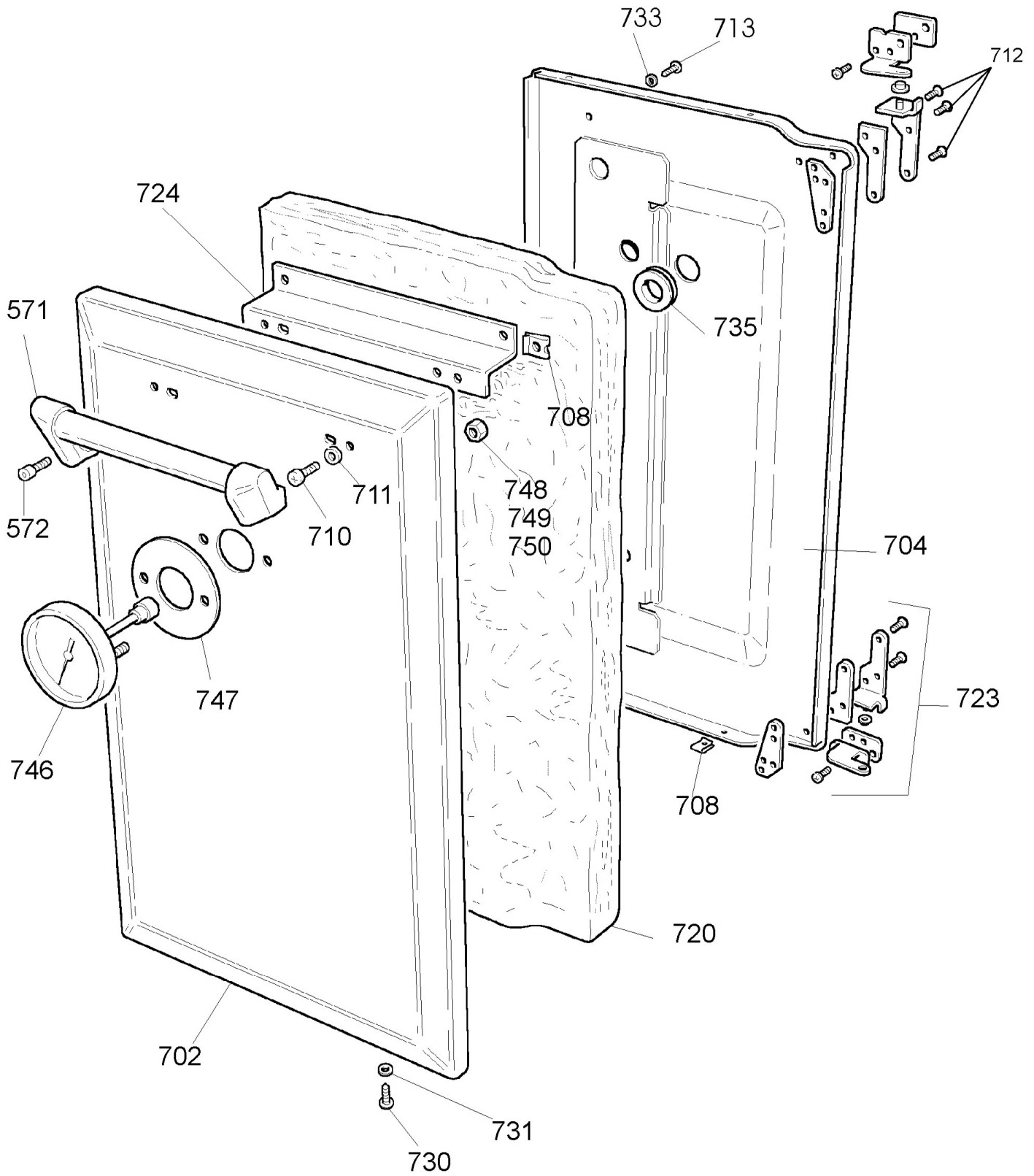
**RH TALL OVEN ASSEMBLY**



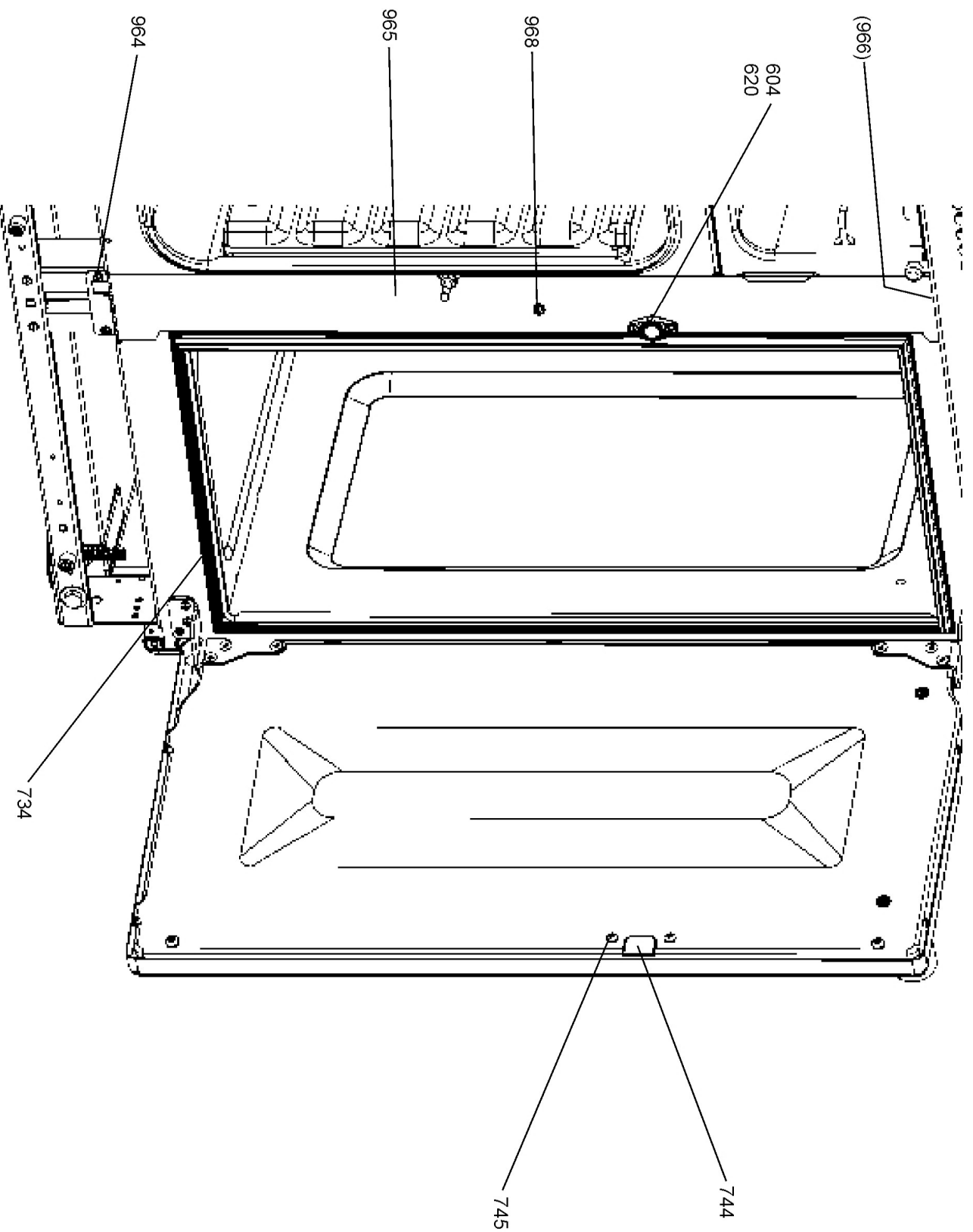


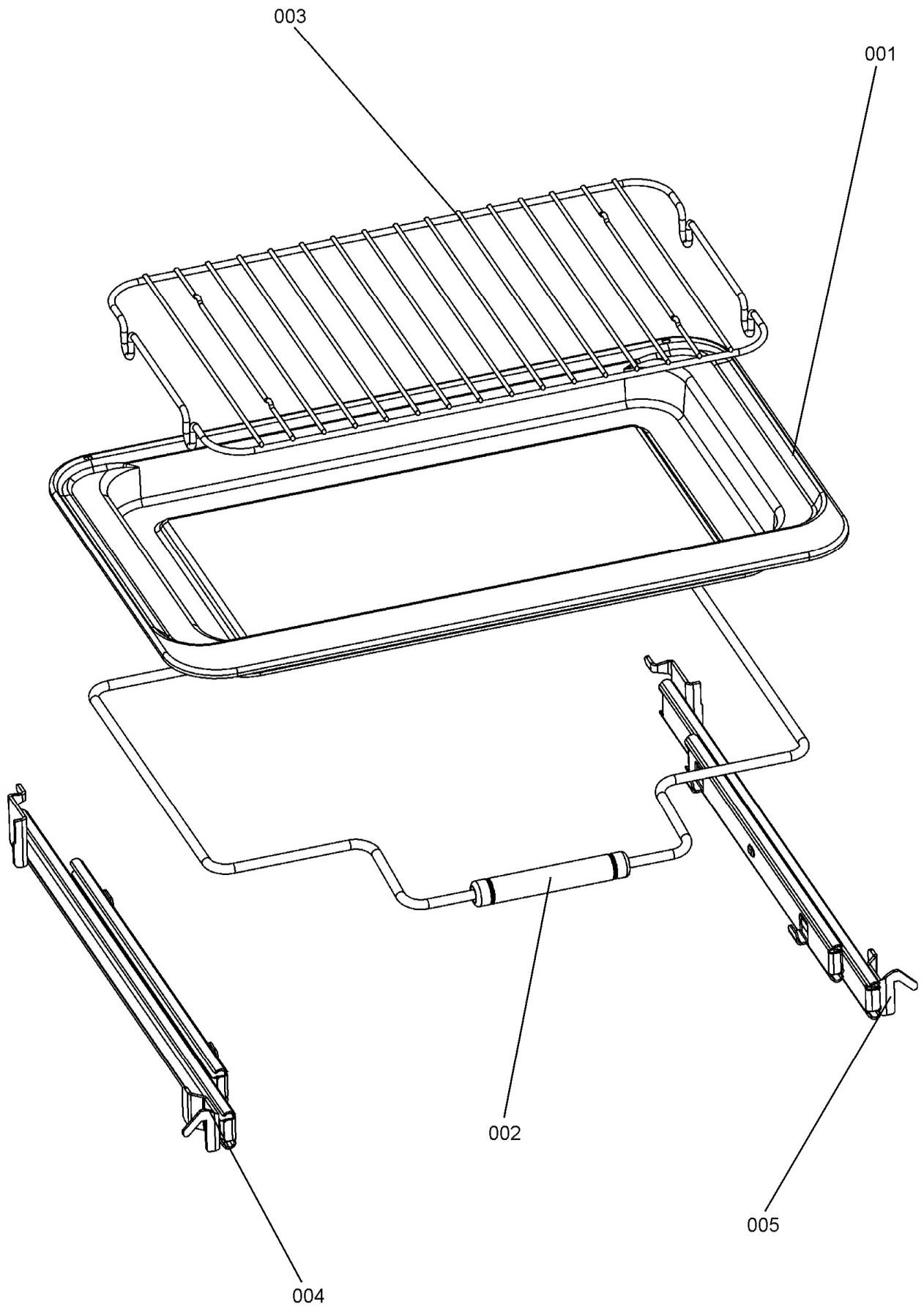


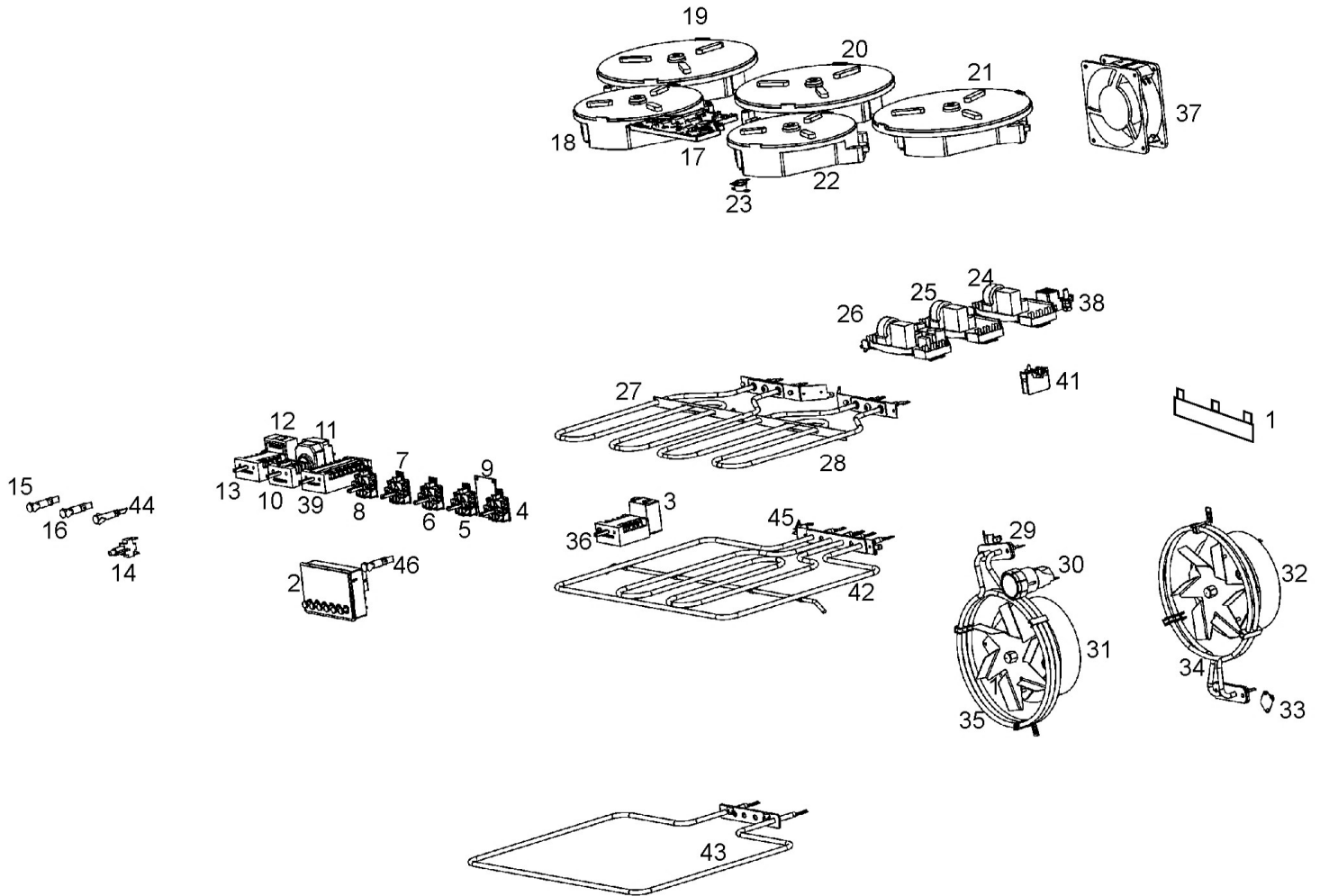






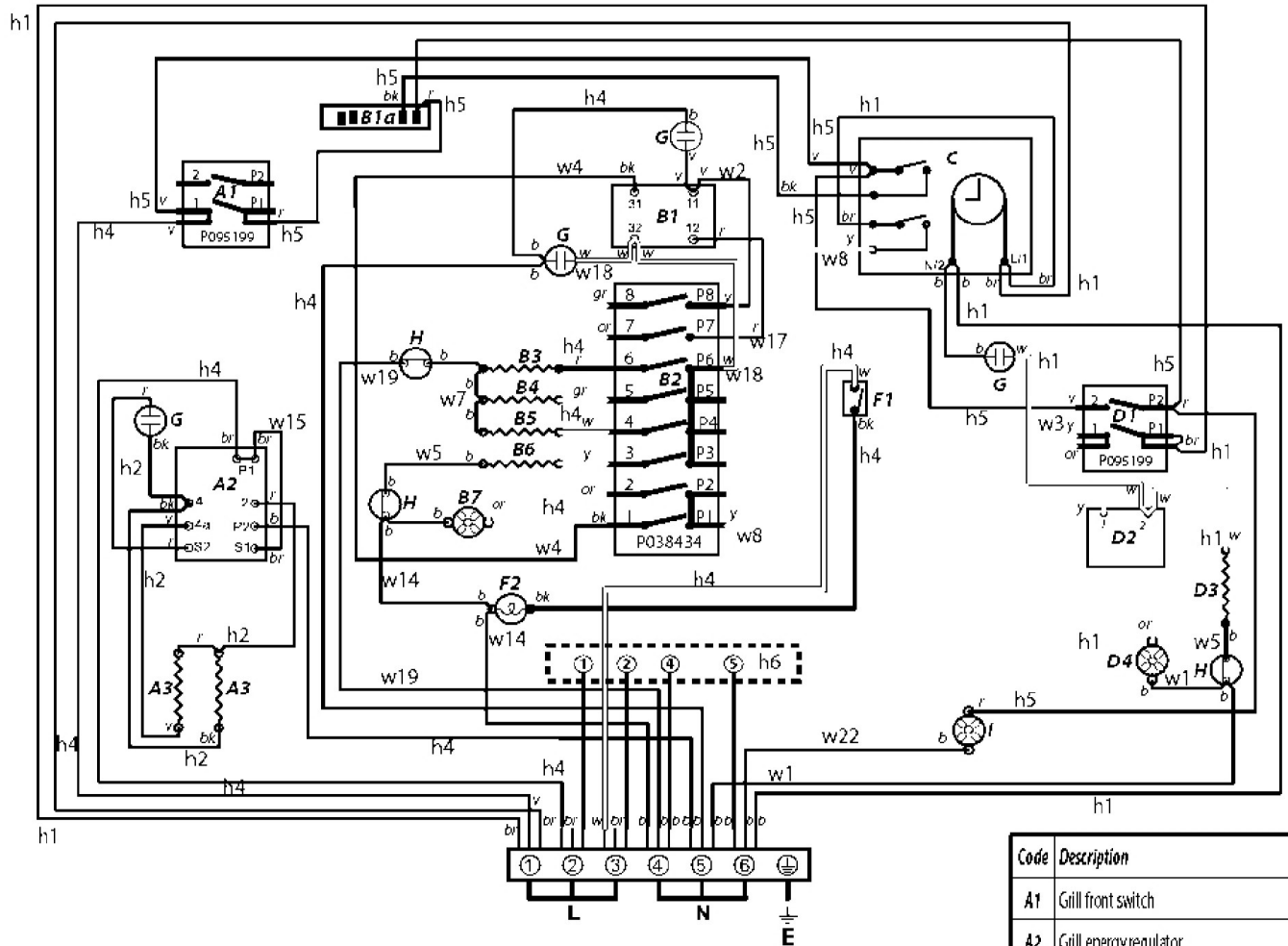






**Classic DL 90 Induction**

Ref	Harness	Description	Qty	Connects C
844	P027733	Neutral Link RH Oven	1	01 32
845	P033089	LH Oven Neutral Links	1	45 42
846	P035416	LH Oven Earth Link	1	45 1
849	P038186	Link (Triple Reg/Switch)	3	03 36
850	P038909	RH Oven Wiring Harness	1	01 02
855	P040066	Link Wire Thermal Trip (Neutral Side)	2	29 35
857	P045282	Grill Wire Harness	1	12 15
858	P045284	PE Harness	1	01 31
893	P048072	LH Oven Rapide Warm Up Harness	1	01 39
875	P043934	LIN Bus Wire IHE_Interconnect Wire	3	18 19
876	P043935	LIN Bus Wire IHE_Interconnect Wire	3	09 17
877	P043936	Rotary Control Wire to Interface Board	3	05 06
878	P043939	Rotary Control Wire to Interface Board	2	07 08
888	P043943	PE Connection Unit	3	24 25
859	P045286	Cooling Fan Neutral Harness	1	01 37
860	P045288	Cooling Fan Activation Harness_RH Oven Switch	1	36 41
861	P045289	Bulk Head to Terminal Block Harness	1	01 40
862	P045290	Bulk Head to Connection Unit Harness	1	40 24
865	P045410	CU to IHE Left Hand Pair	1	18 19
866	P045411	CU to Centre IHE	1	20 25
867	P045412	CU to Right Hand Rear IHE	1	21 26
894	P048527	CU to Right Hand Front IHE	1	21 22
863	P045291	LIN Bus Wire IHE_Interconnect Wire	1	20 21
864	P045292	LIN Bus Wire IHE_Interconnect Wire	2	24 25
869	P045825	Neutral Link LH Oven	1	1 30
870	P045826	Cooling fan Activation Harness	1	2 36
872	P055344	Link Wire Assembly	2	13 13
874	P055374	Earth Link Wire Assembly	2	27 28
889	P094943	Earth Wire Assembly	1	03 01
847	P036115	RH Oven Neon Wire	1	11 39
871	P045846	Wire M-F Neon	1	11 39



Key	Ref Number	Ref Number	Quantity	Remarks
844	w1	P227733	1	RH OVEN NEUTRAL LINK
845	w2	P233387	1	LH OVEN RAPID HEAT- NEON LINK
848	w3	P237883	1	RH OVEN FEED TO THERMOSTAT
849	w4	P236186	1	BLACK MF - D / STAT
850	h1	P236929	1	RH OVEN HARNESS
855	w5	P240086	2	OVEN OVERHEAT STAT LINKS LH-RH
846	w7	P240694	1	BASE ELEMENT TOP ELEMENTS NEUTRAL
847	h2	P245282	1	GRILL ELEMENT ENERGY REG LINK
868	h4	P246082	1	GRILL ENERGY REG - MF OVEN SWITCH FEED
851	w8	P246632	1	CLOCK TO MF OVEN LIVE FEED
852	N1	P242916	1	TERMINAL BLOCK TO THERMAL TRIP
860	w14	P250986	1	NEUTRAL LH OVEN FAN ELEMENT LIGHT
872	w15	P255324	1	ENERGY REG LINK NEON FEED GRILL
874	w16	P255374	2	GRILL ELEMENT EARTHS
856	w17	P240719	1	MF SWITCH - RAPID HEAT STAT - FAN SWITC
857	w18	P295585	1	LH OVEN MF NEON LINK
889	N1	P294923	3	RH OVEN THERMOSTAT - HOTPLATE EARTH
859	h6	P252814	1	FARNESSE - MAINS-TERMINAL/CONNECTOR
861	h3	P251839	1	BULK HEAD CONCTR TO G5 UNIT TERMINAL BLO
858	N1	P245284	1	OVENS,FANS,LIGHT EARTH
878	w9	P243939	2	LHF,LHR HOB'S - INTERFACE BOARD
862	w12	P240924	1	CENTER HOB - INTERFACE BOARD
863	w10	P243937	1	RHR HOB - INTERFACE BOARD
877	w11	P243936	1	RHF,HOB - INTERFACE BOARD
864	w6	P251786	1	3 WIRE, INTERFACE BOARD TO KE UNIT
865	N1	P252073	1	FARNESSE - EARTH- IND. UNIT / CHASSIS
866	h5	P252810	1	FARNESSE, COOLING FAN
887	w22	P252815	1	NEUTRAL T.BLOCK - COOLING FAN

Code	Description
A1	Gill front switch
A2	Gill energy regulator
A3	Gill elements
B1	Left-hand oven thermostat
B1a	Left-hand oven front switch
B2	Left-hand function control
B3	Left-hand oven base element
B4	Left-hand oven top element (outer)
B5	Left-hand oven top element (inner)
B6	Left-hand oven fan element
B7	Left-hand oven fan

Code	Colour
b	Blue
br	Brown
bk	Black
or	Orange
r	Red
v	Violet
w	White
y	Yellow
g/y	Green/yellow
gr	Grey

Code	Description
C	Clock
D1	Right-hand oven front switch
D2	Right-hand oven thermostat
D3	Right-hand oven element
D4	Right-hand oven fan
F1	Light switch
F2	Oven light
G	Neon
H	Thermal cut-out
I	Cooling fan

Not illustrated