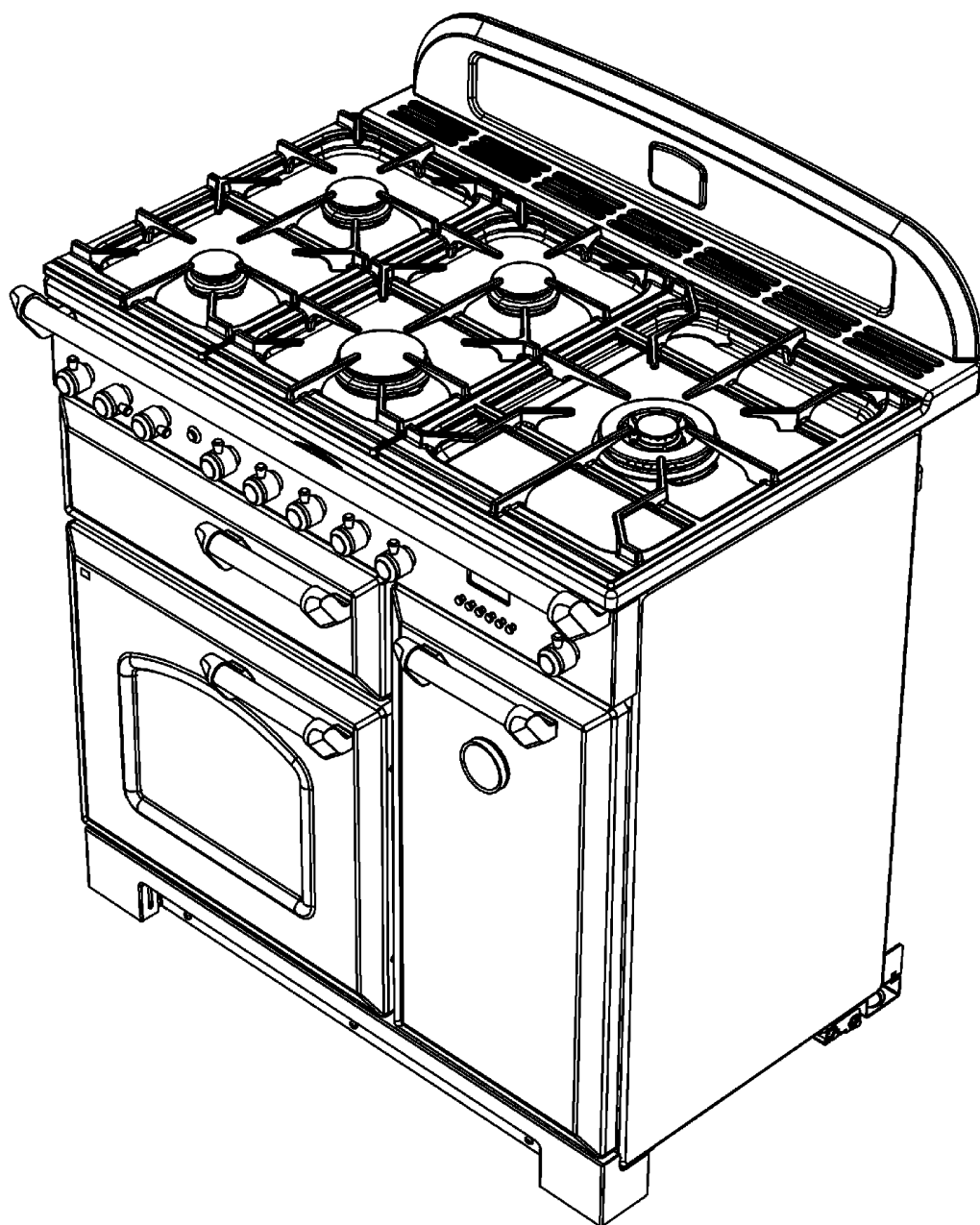
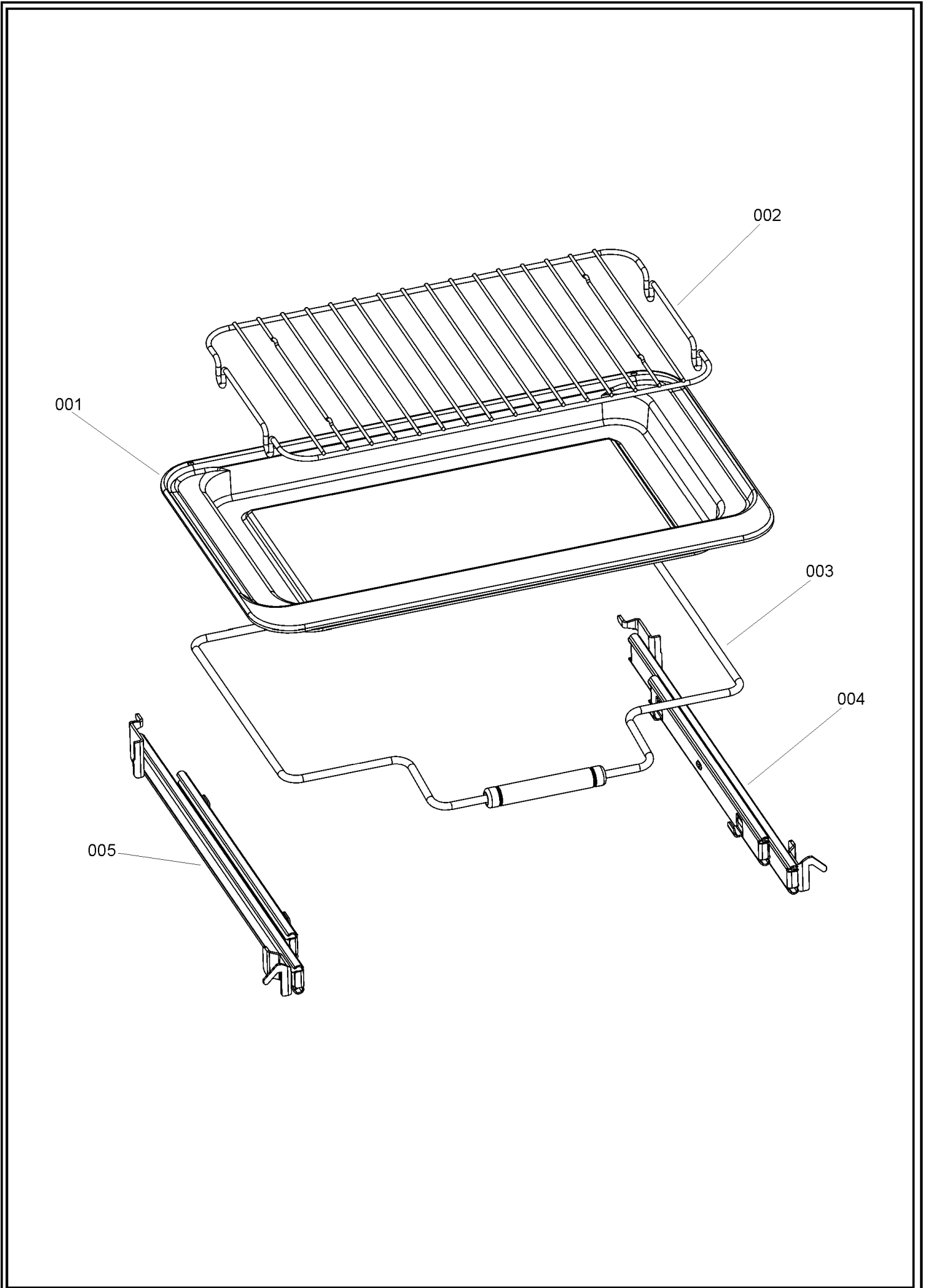
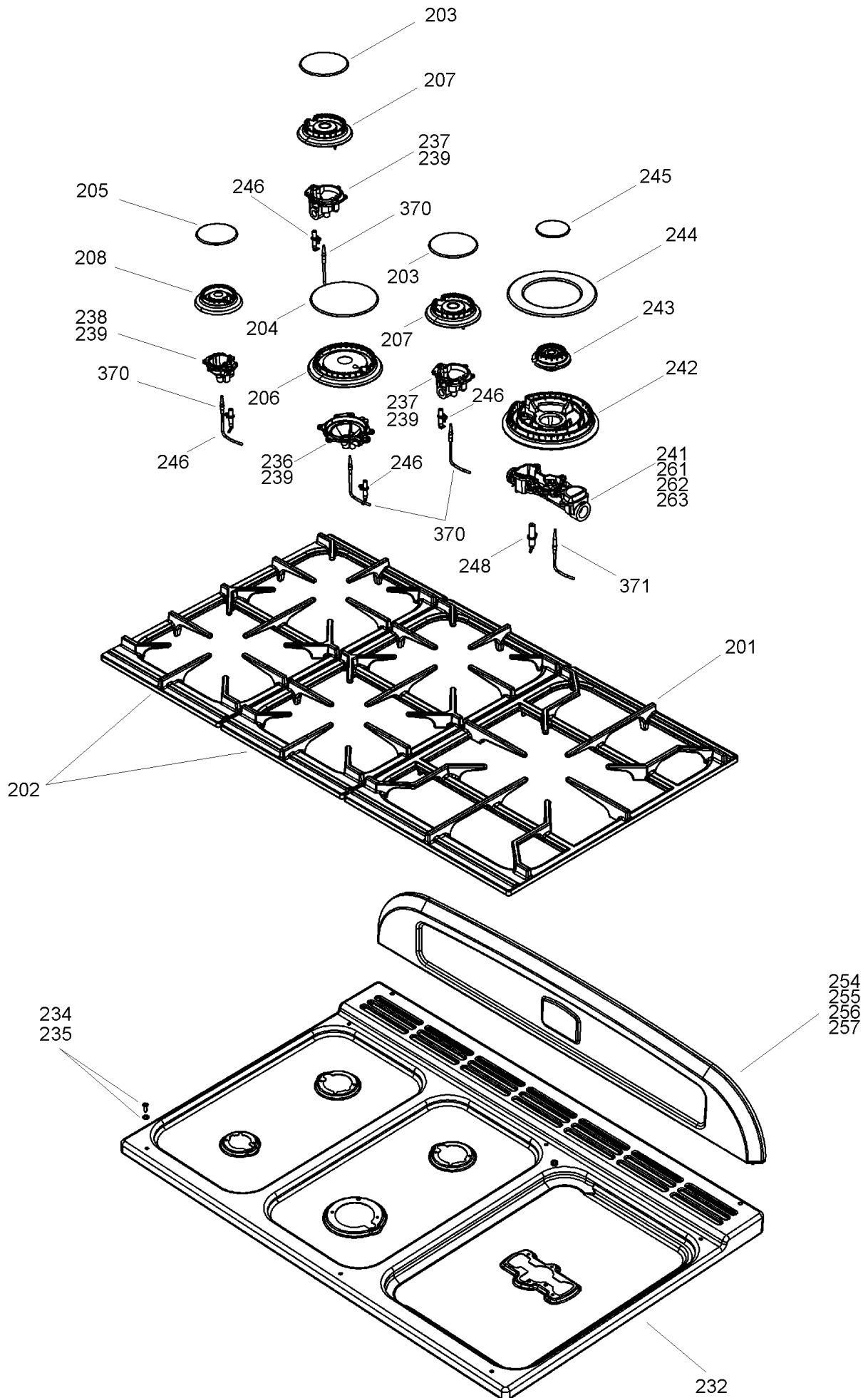


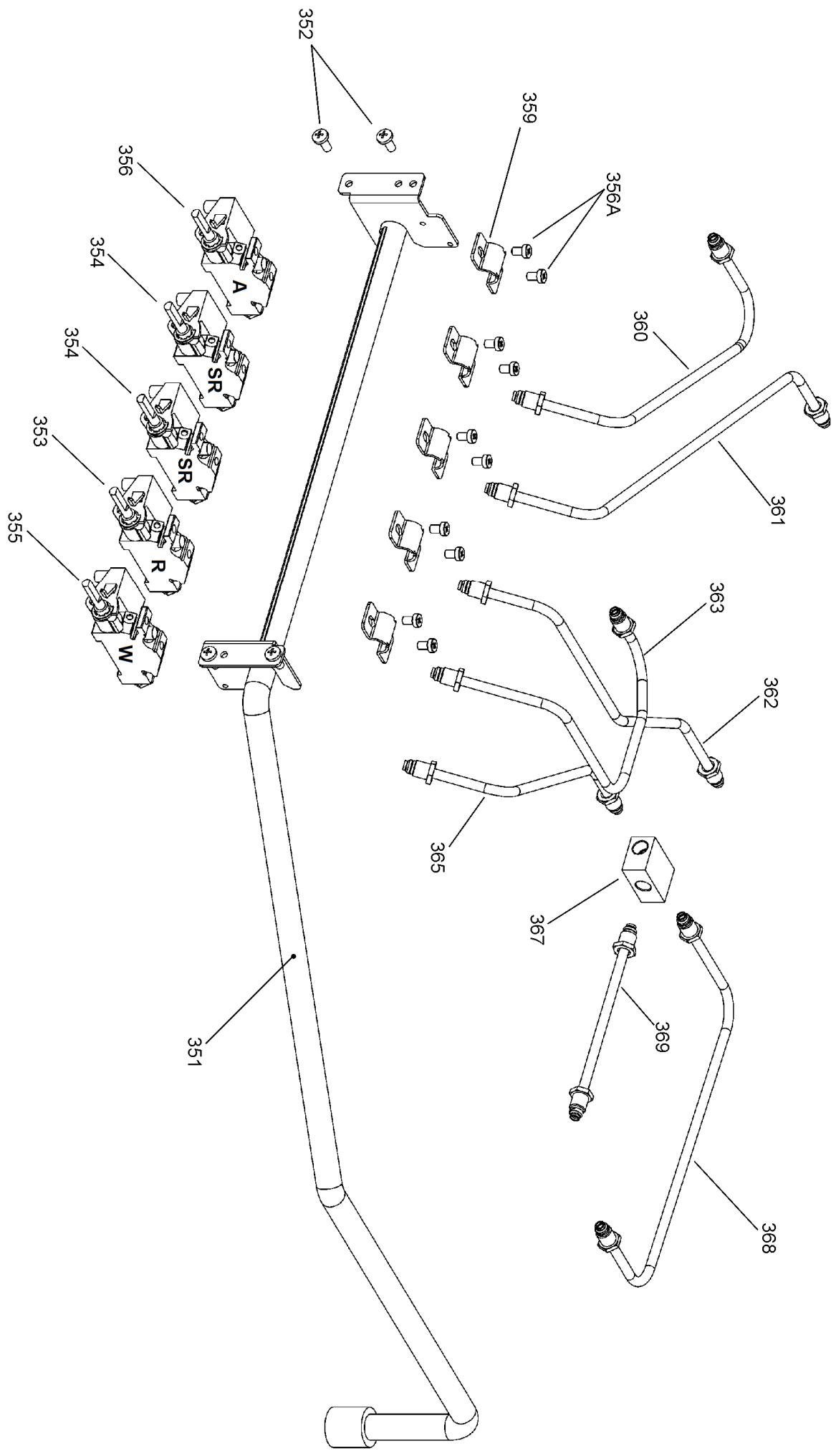
**APPLIANCE NAME:**  
**FALCON CLASSIC DELUXE**  
**90 DF FSD**

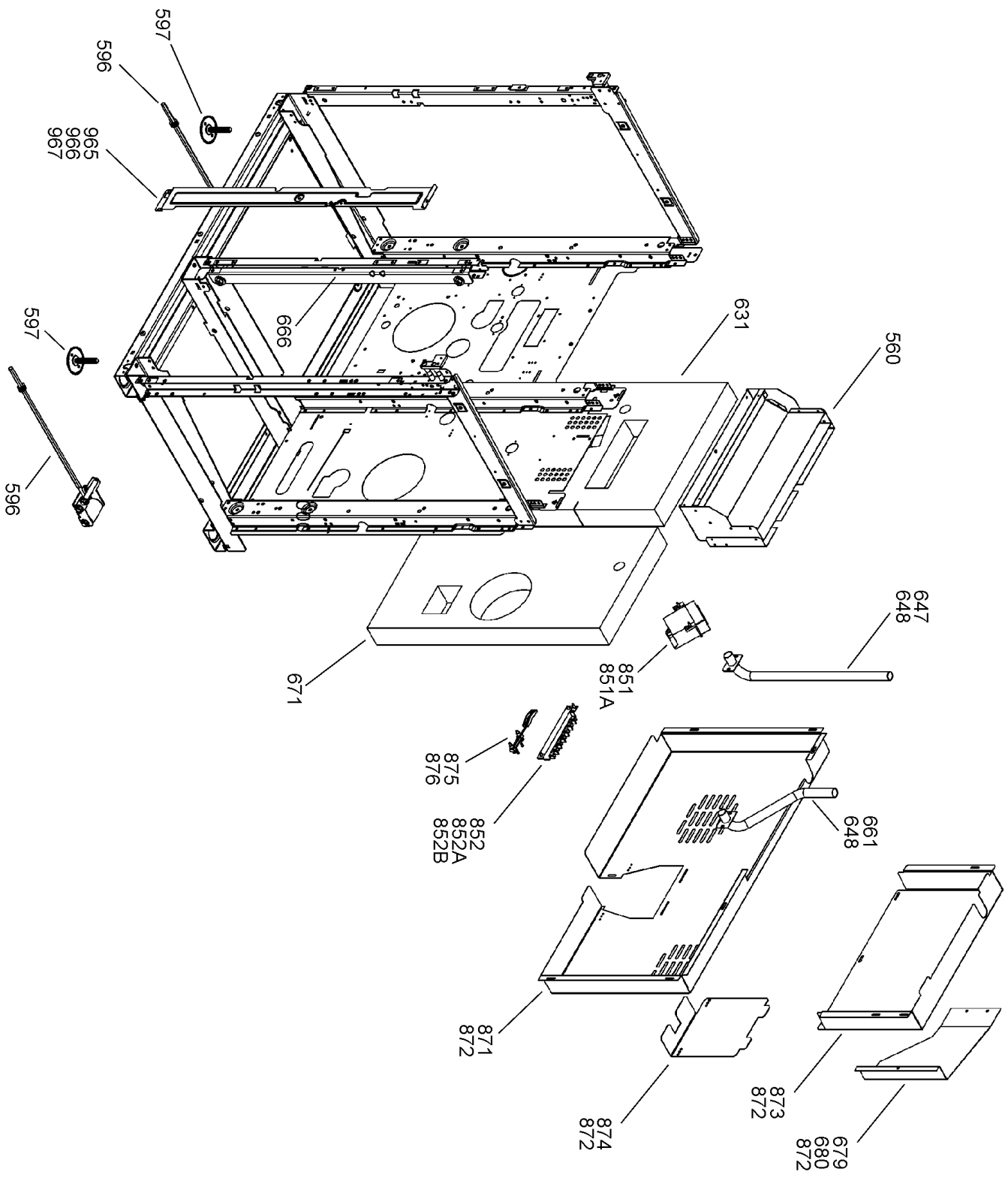
**DSL0309 P00**  
DATE 27.06.06 ISSUE STATUS 001

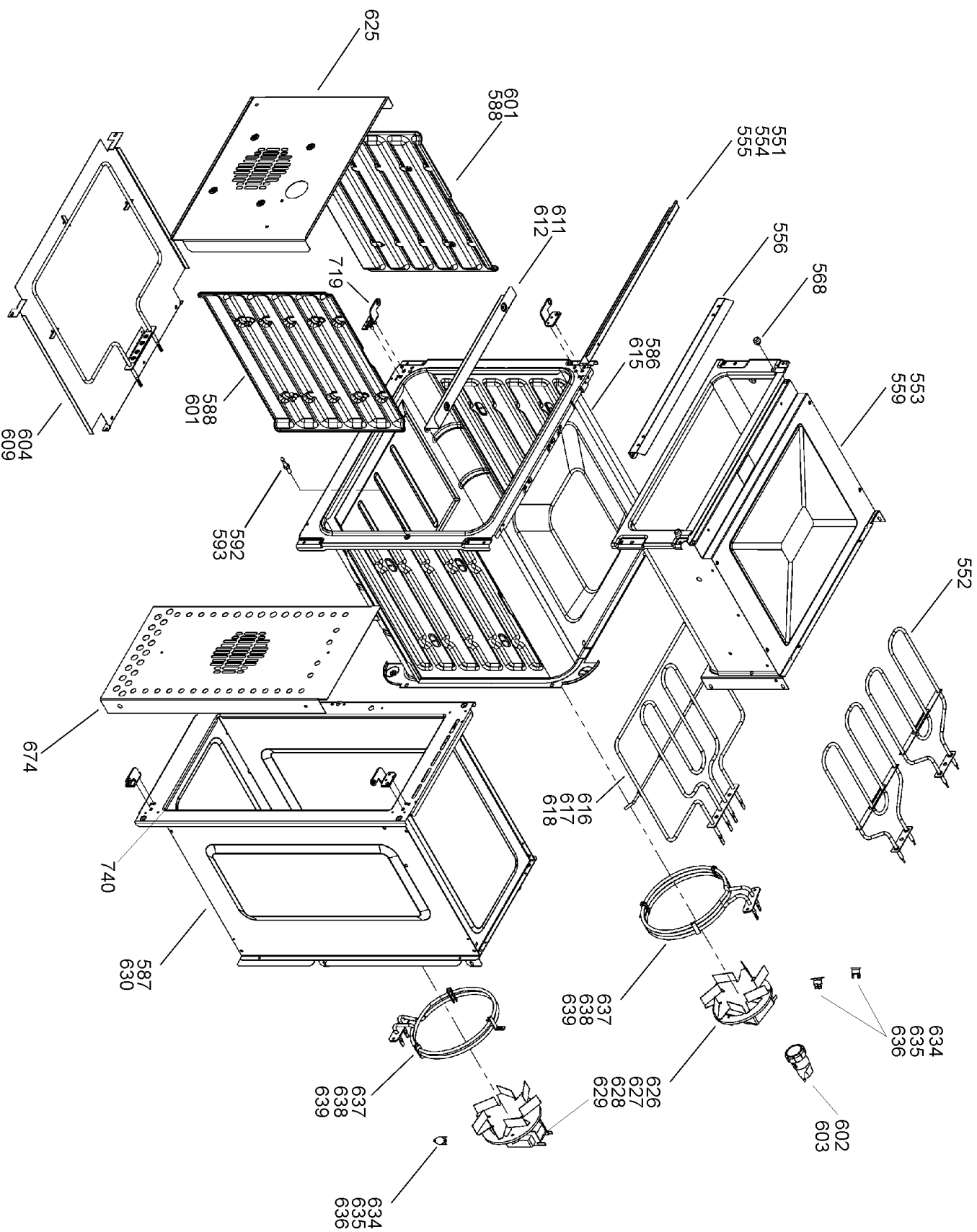






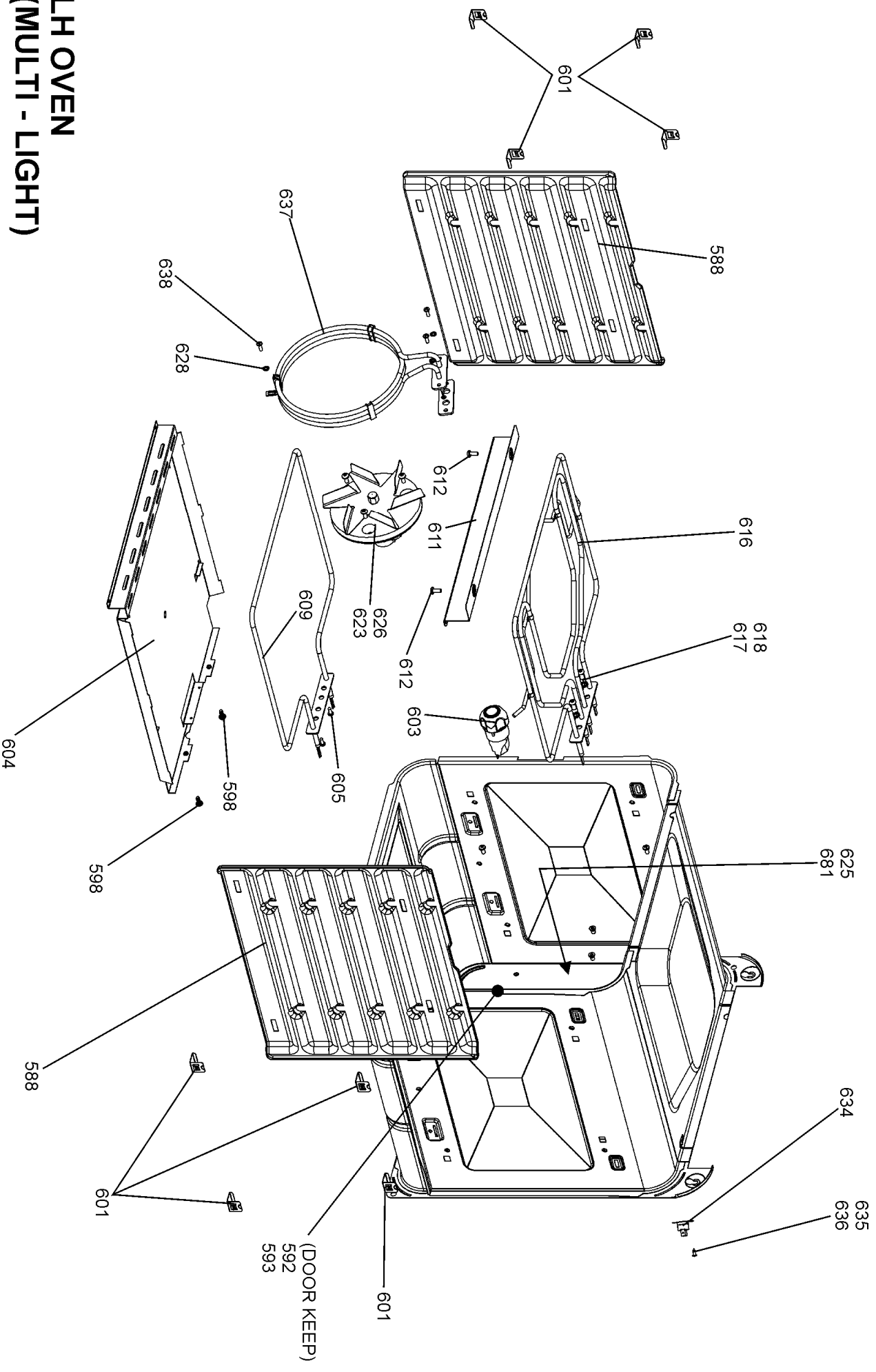




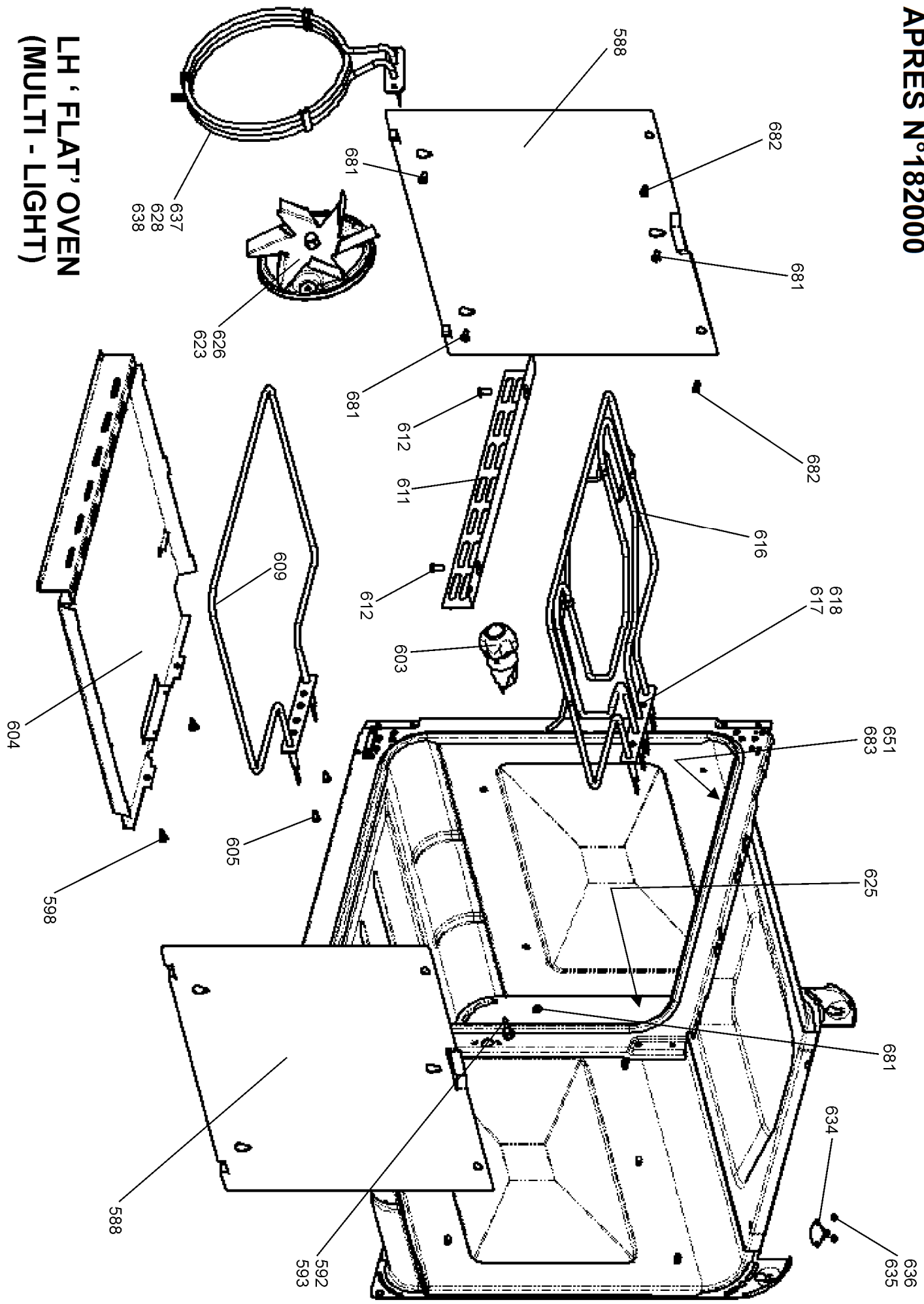


DE N° 169000 A N°181999

LH OVEN  
(MULTI - LIGHT)



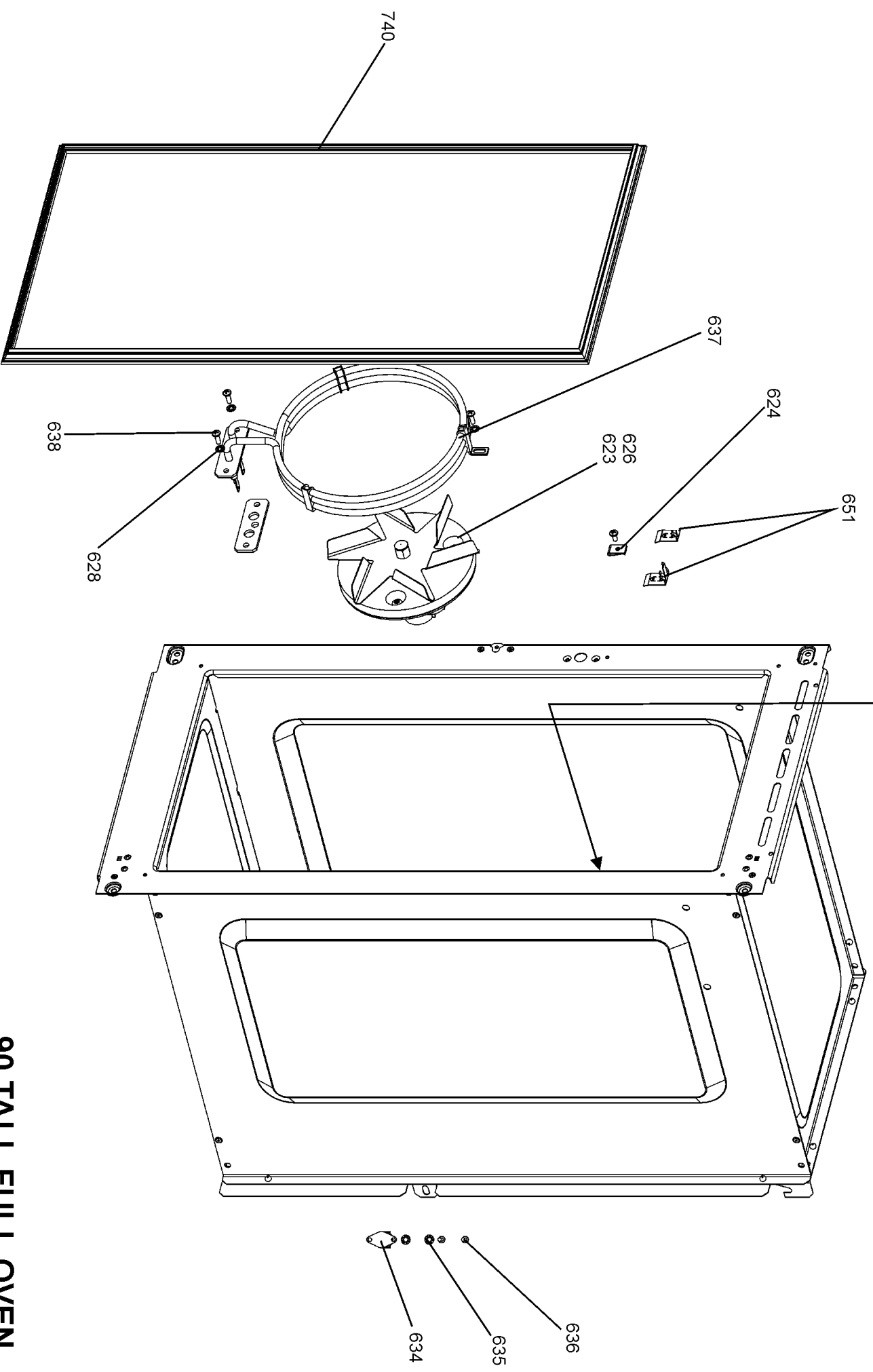
APPRES N°182000



LH 'FLAT' OVEN  
(MULTI-LIGHT)

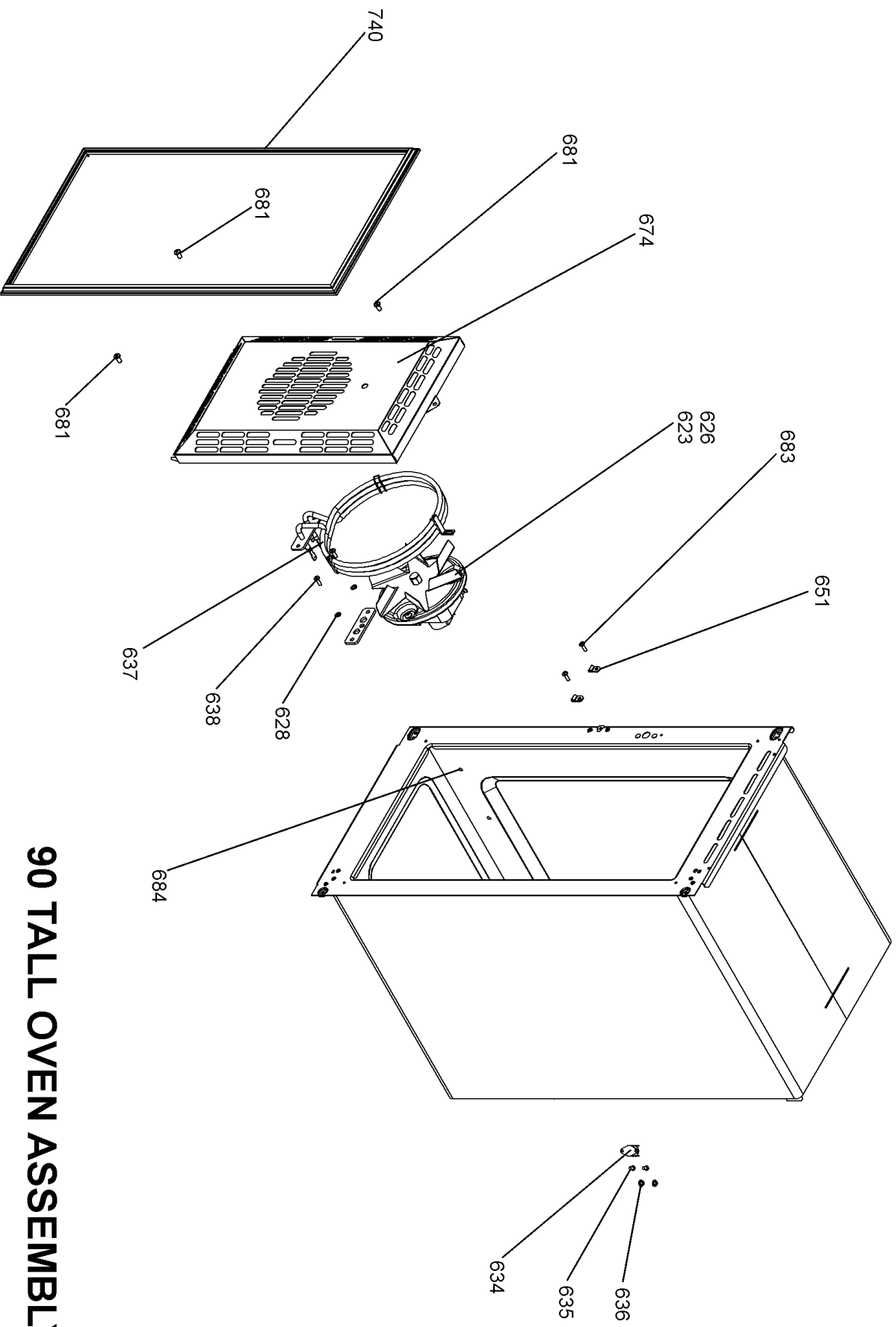


**FROM SERIAL NUMBER 169000  
UP TO SERIAL NUMBER 179999**

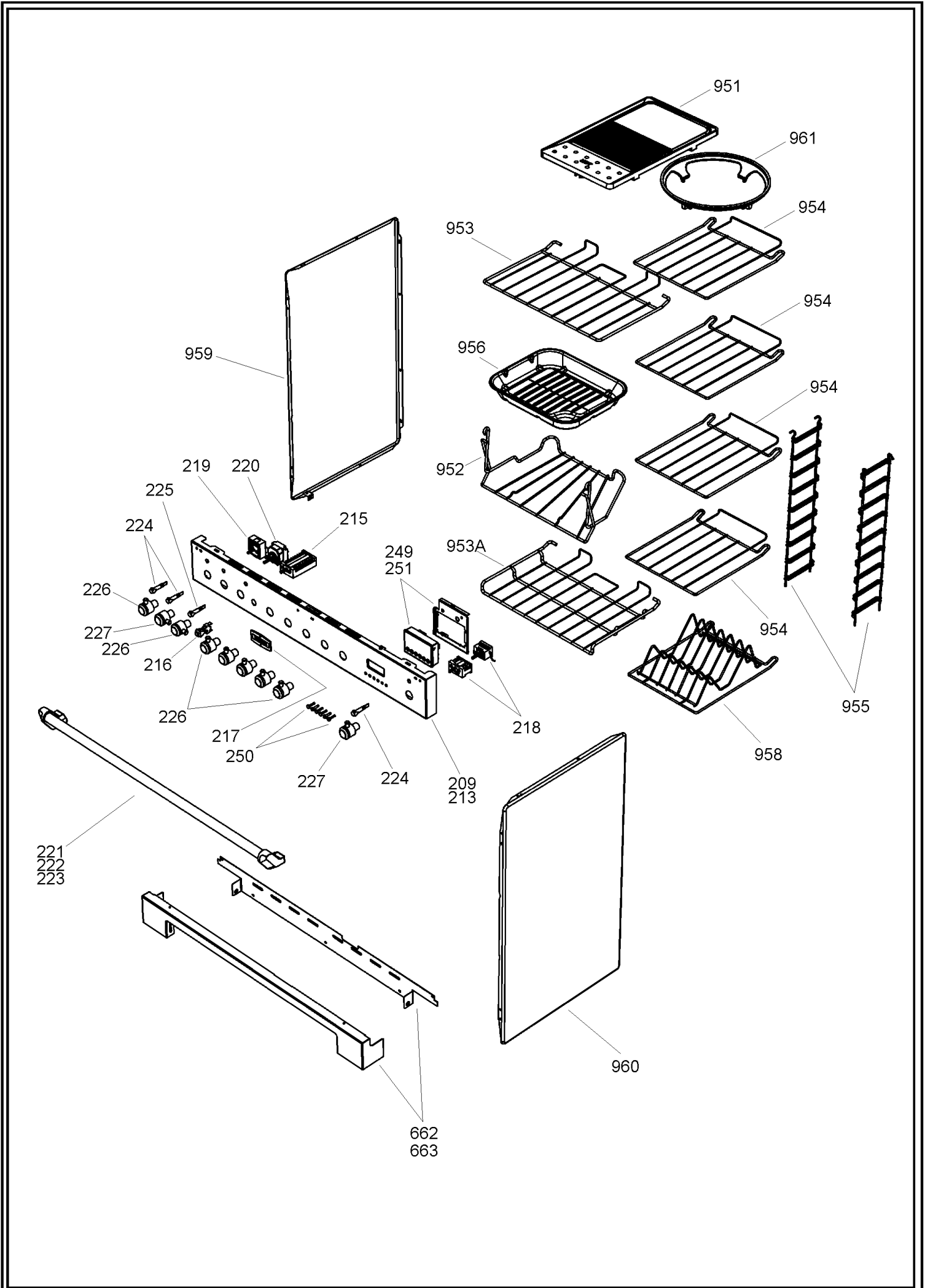


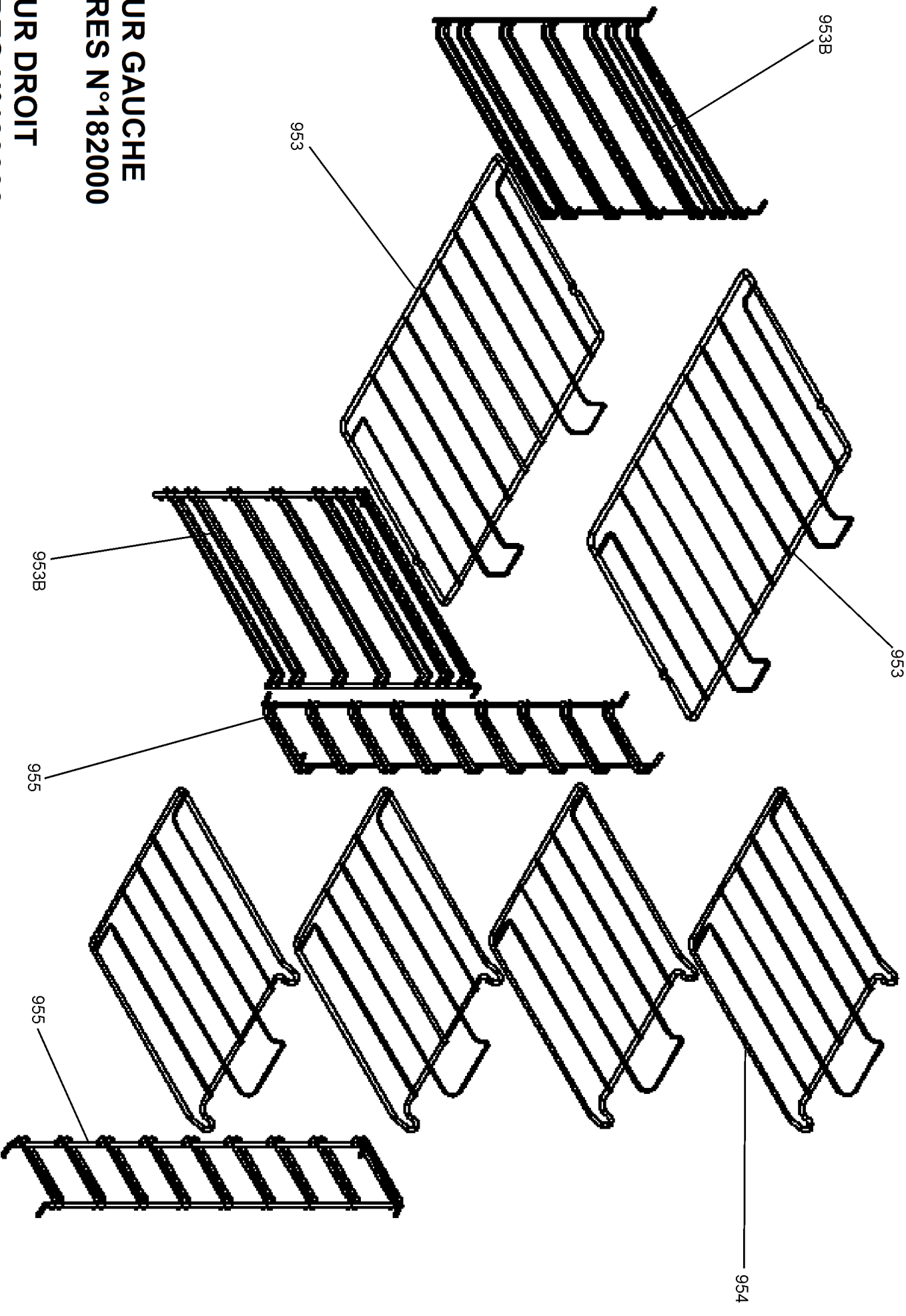
**90 TALL FULL OVEN**

FROM SERIAL NUMBER 180000



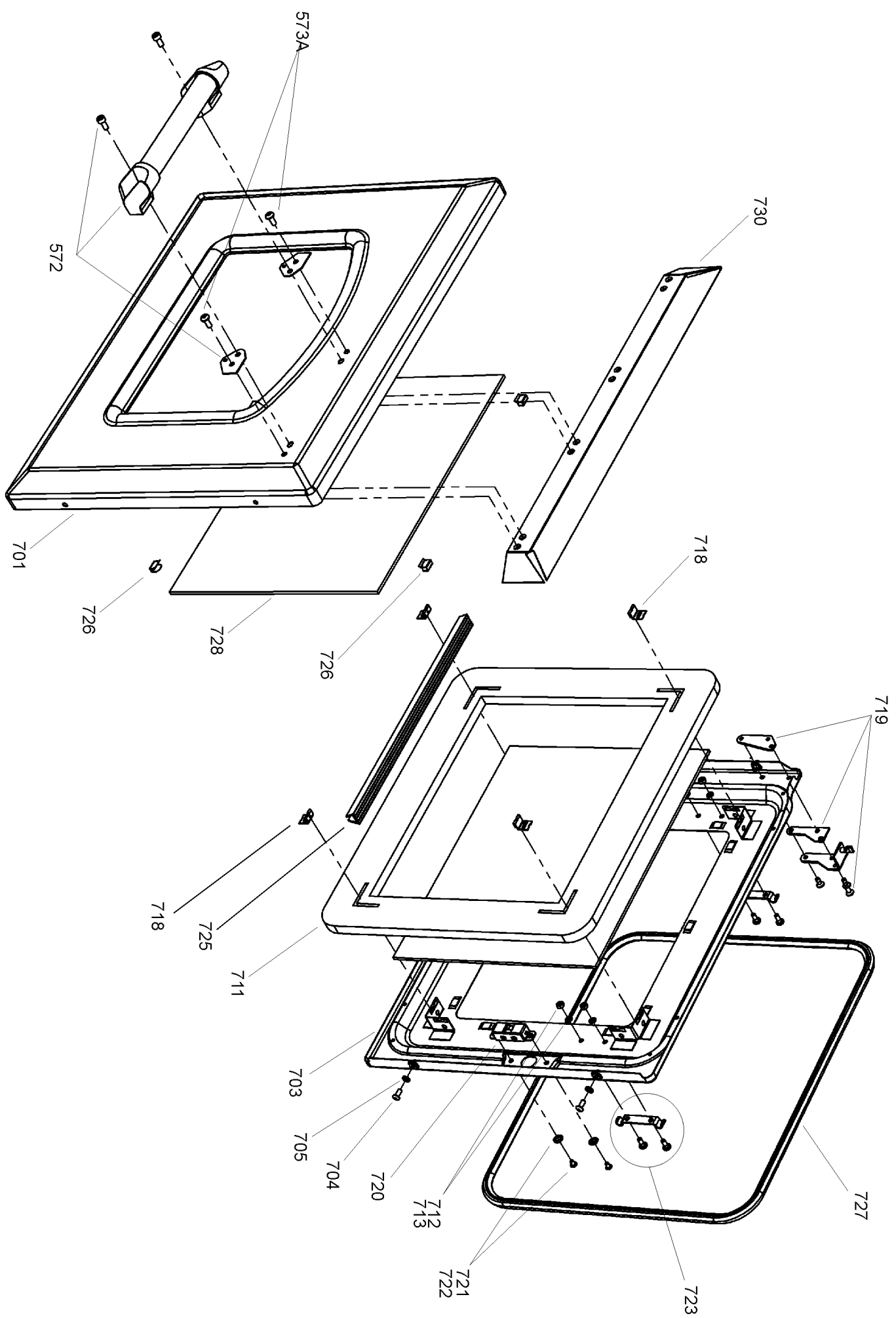
**90 TALL OVEN ASSEMBLY**

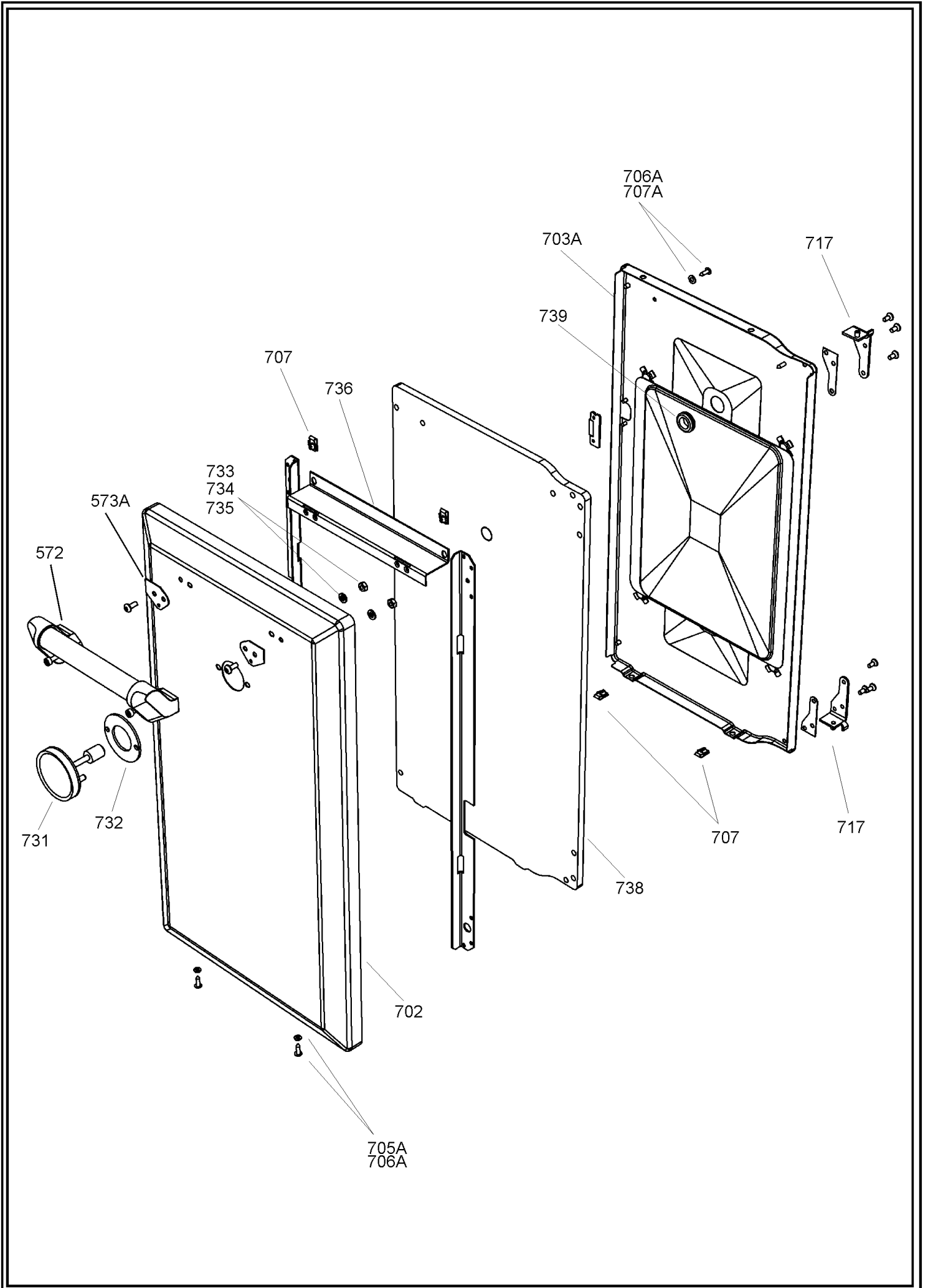




**FOUR GAUCHE  
APRES N°182000**

**FOUR DROIT  
APRES N°180000**

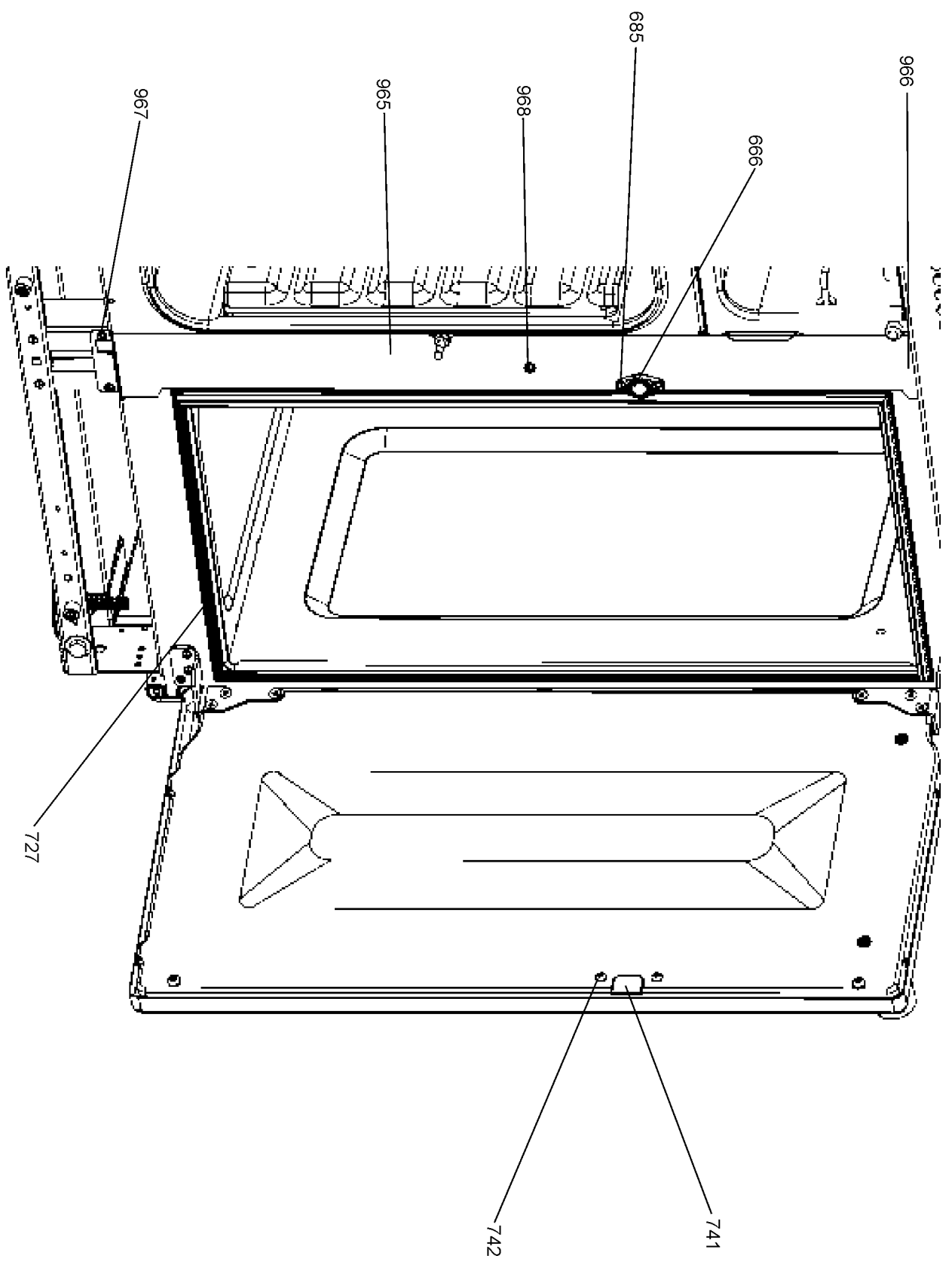


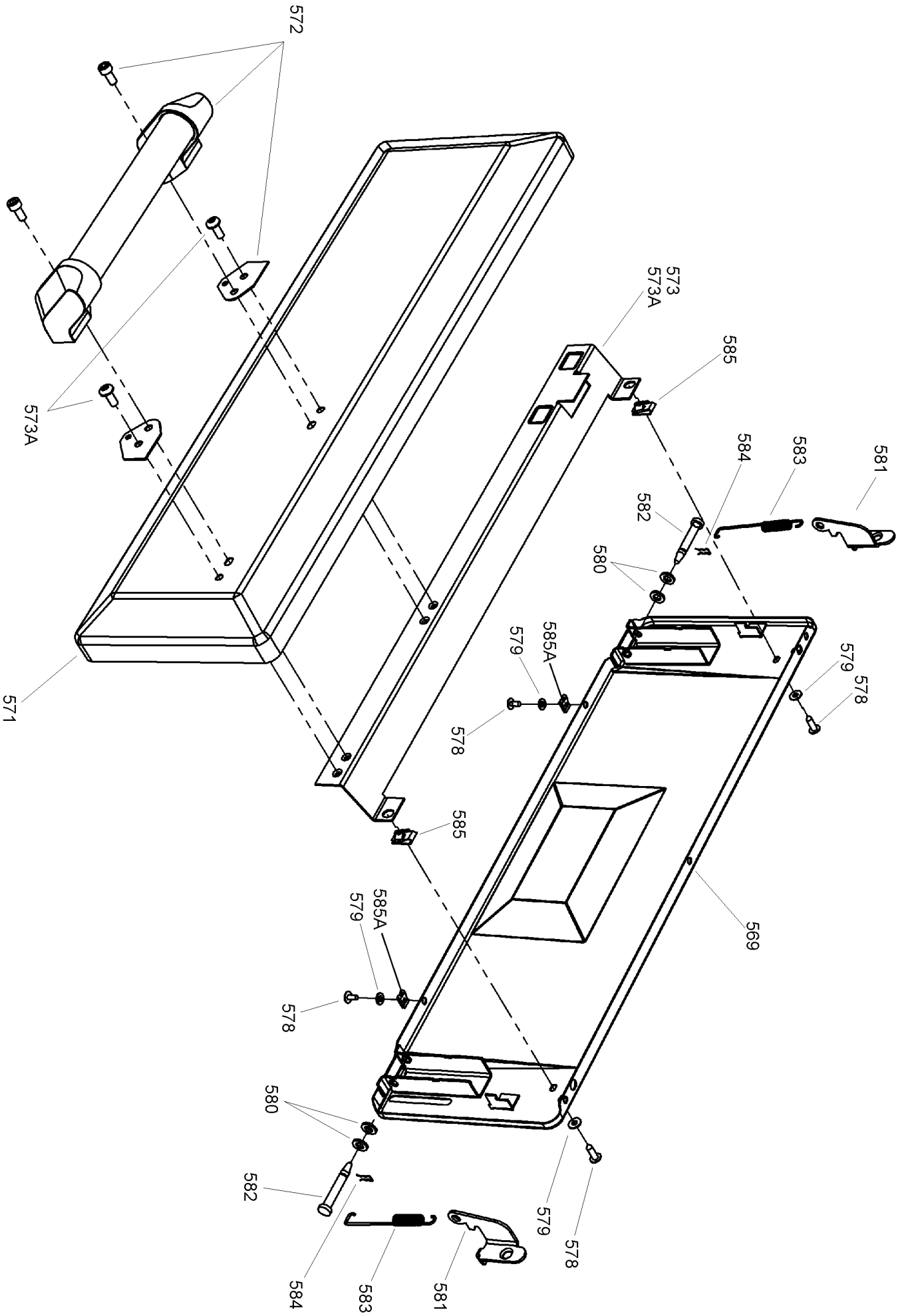


**CLASSIC DL 90 DF**  
**FROM SERIAL NUMBER 167000**

DATE 12.04.16 ISSUE STATUS 01

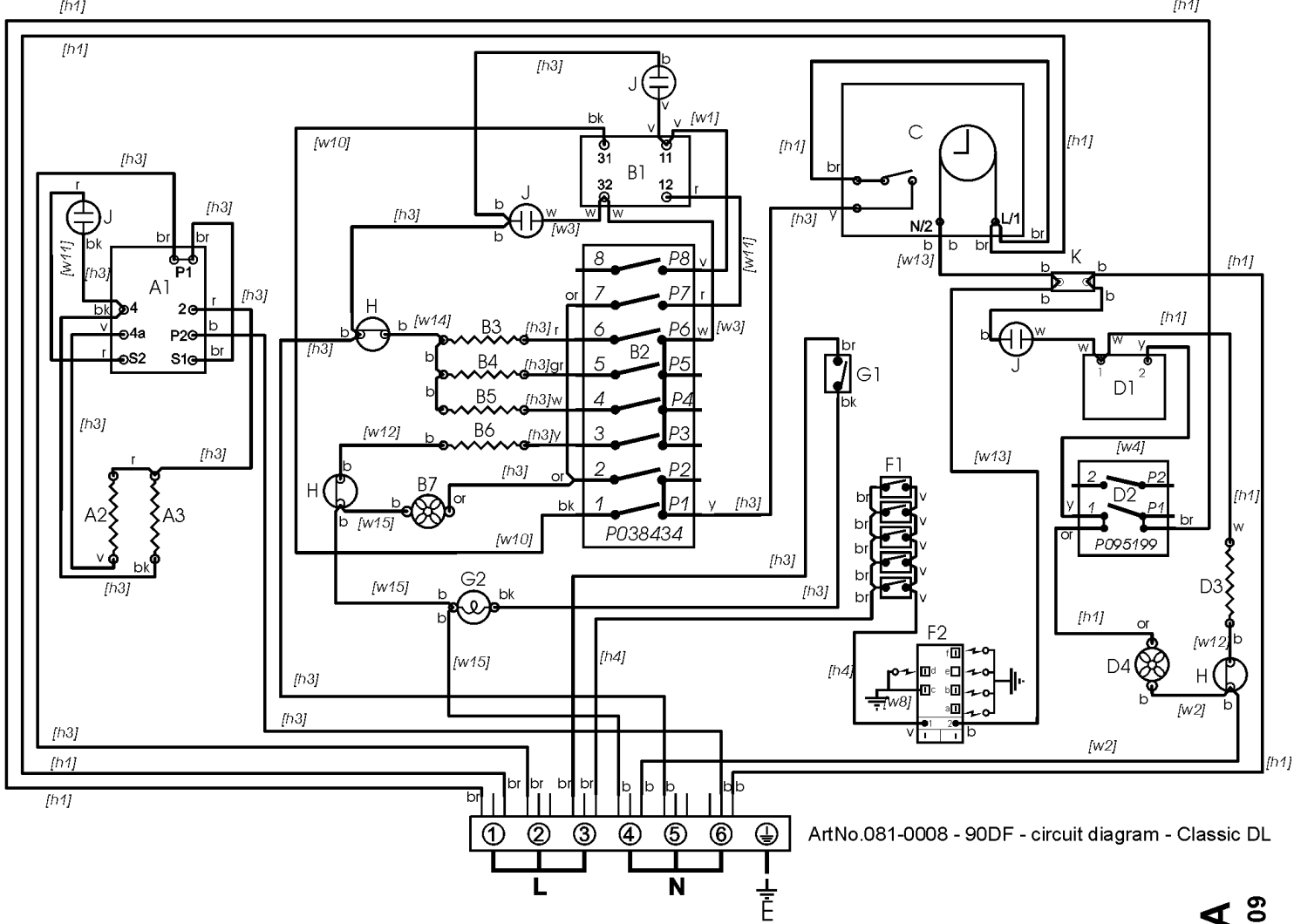
**DSL0309 P08A**











ArtNo.081-0008 - 90DF - circuit diagram - Classic DL

Ref Number	Part number	Quantity	Remarks
h1	P038909	1	Harness Asse mibly - RH Fanned Oven Harness
w1	P033367	1	Wire - Oven Neon/Stat/Switch connection Link
h2	P049242	1	Harness Asse mibly (NI) HT HARNESS
h3	P038910	1	Harness Asse mibly - LH Oven / Grill Harness
w2	P095443	1	Wire - RH Oven, Neutral to cutout and RH Fan
w3	P095565	1	Wire - Timer / T/Stat / Switch Link
w4	P037863	1	Wire - RH Oven T/Stat to Switch Link
w5	P094943	2	Wire - T/ Stat Earth
w6	P055374	2	Wire (NI) - Grill Earth
w7	P033677	1	Wire (NI) - EARTH LH OVEN WIRING USA
w8	P049241	1	Wire - Spark generator Earth
w9	P027672	1	Wire (NI) - WIRE ASSY
w10	P038597	1	Wire - M/F SW - T'STAT BLACK LINK
w11	P094951	2	Wire - Link Wires
h4	P049254	1	Harness Asse mby (NI) - WIRING HARNESS IGNITION
w12	P040066	2	Wire - Link Wires
w13	P094945	1	Wire - WIRE ASSEMBLY
w14	P040694	1	Wire - WIRE ASSY (NEUTRAL BLUE DAISY)
w15	P043963	1	Wire - WIRE 3 LINK RETURN LH OVEN

NI Not Illustrated

w - Single Cable / Single Cable with multiple terminations

h - Harness Assembly (Including Single Wires that are Sheathed)

Code	Description
A1	Grill energy regulator
A2	Grill element left hand side
A3	Grill element right hand side
B1	Left hand oven thermostat
B2	Left hand oven switch
B3	Left hand oven base element
B4	Left hand oven top element
B5	Left hand oven browning element
B6	Left hand oven fan element
B7	Left hand oven fan

Code	Description
C	Clock /Oven Timer
D1	Right hand thermostat
D2	Right hand oven switch
D3	Right hand oven element
D4	Right hand oven fan
F1	Ignition switch
F2	Ignition generator
G1	Oven light switch
G2	Oven light
H	Thermal cutout
J	Neon
K	In line connector

Code	Colour
b	Blue
br	Brown
bk	Black
or	Orange
r	red
v	violet
w	White
y	yellow
gr	Grey

**FALCON CLASSIC DL 90 DF FSD DSL 0309 P10A**  
 ISSUE STATUS 01 DATE 04.11.09  
 FROM SERIAL No 126000